

SYSTEM PLAST™



Conveyor Components, Chains and Belts Catalog Issue 6.2

A Regal Brand

REGAL

Check out our most popular products online:
www.SystemPlastSmartGuide.com



SYSTEM PLAST™

System Plast™ is the one source for Valu Guide® components, System Plast conveyor chains and belts, plastic materials and custom machined products from Nolu Plastics.

With years in the industry, System Plast is committed to a product development process that continues to deliver innovative solutions. We tackle the tough problems like noise reduction, hygiene, and increased productivity with solutions such as Nolu-S material, SaniStar levelers, and SpeedSet brackets.

In today's competitive environment, components that stand up to the rigors of high volume production are an absolute must. From guide rails and wear surfaces to conveyor chains, sprockets, mounted bearings and leveling pads, System Plast products are comprehensive, industry proven and available to you from one source.

Keep your equipment – and your business – moving forward

The whole world is on the move today. Everything from people and products to ideas and information That means business has to be on the move, as well. Power Transmission Solutions™ can help. We keep products – and businesses – moving forward. Whether it's helping to make sure that packages arrive on time, roads are built, energy is produced, food and beverages are processed, or luggage arrives at airport baggage areas, our products and solutions help make the world go.



VALU
GUIDE®

NOLU
PLASTICS



Conveyor Chains **2**

- Steel Flat Top Chains
- Side Flexing Chains
- Plate Top Chains
- Thermoplastic Flat Top Chains
- Multi-flex Chains
- Crate Conveyor Chains
- Straight Running Chains
- Gripper Chains
- Flat Top Belts



Sprockets, Wear Strips & Conveyor Chain Guides . . **101**

- Sprockets and Idlers
- Transfer Plates
- ValuFlex™
- ValuTrac™
- Modular Guides
- Wear Strips
- Magnetic Corner Tracks
- Return Rollers
- Roller Chain Guides



Guide Rails and Hardware **197**

- Guide Rails
- Lane Dividers
- Rail Clamps
- Chain Guides
- Wear Beds
- Rail Splicing
- PolyGlide Rails
- Guide Rail Benders
- Rail Clips



UHMW Covers & Aluminum Rails **241**

- Bar Caps
- Bar Covers
- Round Bars
- PET Neck Guides
- Tube Covers
- Flight Edging
- J-Legs
- Aluminum Rails
- Hanger Bearings



Bead and Roller Guides **265**

- SpeedRail™
- Flexible Roller Module
- Heavy Duty Bead-Wall™
- SpeedRoll™
- Lane Dividers
- Roller Combiner
- BeadRail™
- BeadWall™
- Custom Parts



Brackets & Positioning Components **289**

- Guide Rail Brackets: Fixed and Adjustable
- Spacers
- Drip Pan Holders
- Adjusting Rods
- Knobs
- Cross Blocks
- SpeedSet™ Brackets
- Protective Caps
- Accessory Holders



Machine & Equipment Components **341**

- Threaded Tube Ends
- Support Levelers
- Bipods, Tripods
- SaniStar Levelers
- Vibration Pads
- Ratchet Handles
- Articulating Levelers
- Post Caps
- Enclosure Handles and Hinges



Roller Products **383**

- Roll-Tech
- Sleeve Bearings
- Stub Shafts
- Return Rollers
- Customized Rollers
- Adapters
- Off-The-Shelf Rollers
- Roller End Bearings
- Ball Bearings



Machined Plastics, Technical Information **415**

- Premium Plastic Fabrication
- Chemical Resistance
- Engineered Plastic Materials
- Index
- Material Physical Properties

Conveyor Chain Selection

812, 815

Straight Running



page **8**

815L

Straight Running



page **8**

881

Side Flexing



page **10**

8810

Side Flexing



page **10**

881 TAB

Side Flexing



page **12**

8810 TAB

Side Flexing



page **12**

881M, 881MO

Side Flexing



page **14**

L881MO

Side Flexing



page **14**

820

Straight Running



page **16**

831

Straight Running



page **18**

828

Straight Running



page **20**

821

Straight Running



page **22**

878 TAB

Side Flexing



page **24**

879, 880

Side Flexing



page **26**

879/880 TAB

Side Flexing



page **28**

879M, 880M

Side Flexing



page **30**

882

Side Flexing



page **32**

882 TAB

Side Flexing



page **34**

Conveyor Chain Selection

831 VG
Straight Running



page **36**

878 TAB VG
Side Flexing



page **38**

879 TAB VG
Side Flexing



page **40**

882 TAB VG
Side Flexing



page **42**

878 TAB GS
Side Flexing



page **44**

1873 GS
Side Flexing



page **46**

843
Straight Running



page **48**

863
Straight Running



page **49**

1843
Side Flexing



page **50**

1863
Side Flexing



page **51**

1873
Side Flexing



page **52**

1700
Multiflex Chains



page **54**

1702
Multiflex Chains



page **54**

1701 TAB
Multiflex Chains



page **56**

1701 TAB OP
Multiflex Chains



page **56**

CC 600
CC 600 TAB
Crate Conveyor Chains



page **58**


CC 1400
CC 1400 TAB
CC 1431
Crate Conveyor Chains



page **59**

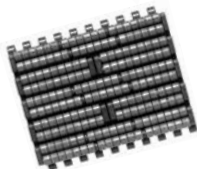
Conveyor Chain Selection


LBP 821
Straight Running  page **60**


LBP 8257
Straight Running  page **62**

LBP 831
Straight Running  page **64**


LBP 2120
Straight Running  page **80**

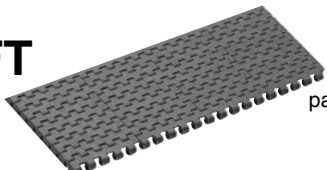
LBP 2251
Straight Running  page **94**

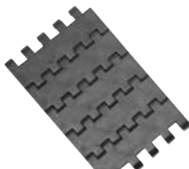
LBP 882 TAB
Side Flexing  page **66**

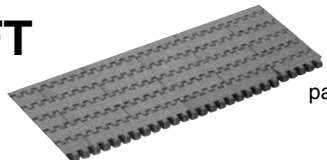
LBP 882 M
Side Flexing  page **70**

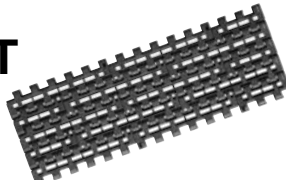
LBP 878 TAB
Side Flexing  page **72**

2121
Straight Running  page **76**

2121 FT
Straight Running  page **78**

2252
Straight Running  page **88**

2252 FT
Straight Running  page **90**

2252 PT
Straight Running  page **92**

2250 TAB
Side Flexing  page **82**

2250M
Side Flexing  page **84**

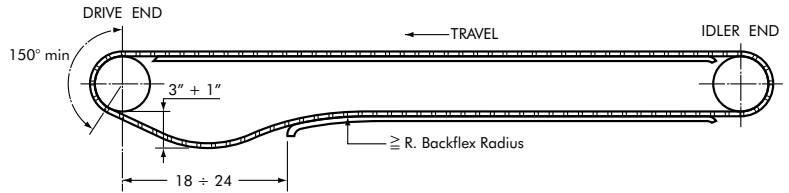
2260M
Side Flexing  page **86**

2251M
Side Flexing  page **98**

2251 TAB
Side Flexing  page **96**

Catenary (chain sag)

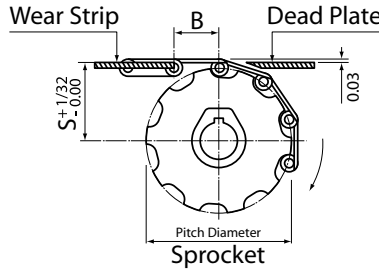
Catenary or chain sag is an inherent feature in chain conveyors which provides a mechanical balance between absorbed and unabsorbed chain tension. The catenary area of a conveyor must be properly designed to accommodate catenary sag for a given chain. Catenary performs two valuable functions. First, it balances any loads not absorbed by sprocket teeth. This balance between unabsorbed tension and catenary weight should occur about 150° around the drive sprocket. Second, it provides an area in the conveyor to easily remove links as the chain stretches. It has to be accessible to the maintenance personnel. Catenary will fluctuate during normal operation due to chordal action. See design details above.



Sprocket / Wear Strip Positioning

Conveyor chain is subject to chordal action (rising and falling) as it enters drive sprocket engagement and when it leaves a tail sprocket or idler wheel. Sprockets must, therefore, be mounted such that the sprocket's highest point is no higher than the carrying support wear strip. This contains the chain's tendency to rise out of the carrying way. The distance from the end of the wear strip to the center line of the sprocket shaft should equal dimension "B" in the accompanying drawing and tables. This prevents interference with the free movement of the chain as it engages the sprocket. Leading edges of the wear strips should be beveled at this entry point

The minimum number of teeth for chains 1873 and 1874 sprockets is 15. Otherwise the hold down tab touches the sprocket hub.



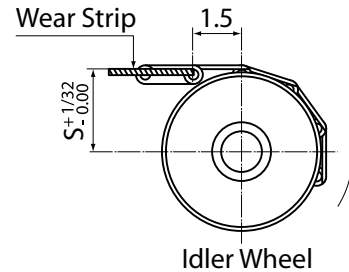
$$S = \left(\frac{\text{Pitch Diameter}}{2} \right) + C$$

| "B" Values | Chain Series Numbers |
|------------|--|
| 1" | 843, 1843, 844 |
| 1-1/2" | 815, 820, 821, 831, 963, 880, 881, 882, 879, 1873, 1874, 863, 802, 805 |
| 50mm | 1700, 1701, 1702, 7000, 7005, 7001 |

| "C" Values | Chain Series Numbers |
|------------|---|
| 3/32" | 831 |
| 7/64" | 879 |
| 1/8" | 815, 820, 821, 881, 805, 800, 8810, 881M, 881MO |
| 9/64" | 880, 828, 878 |
| 3/16" | 882 |
| 1/4" | 843 |
| 9/32" | 1843 |
| 7/16" | 863, 963, 864 |
| 15/32" | 1863, 1873, 1874 |
| 15/32" | 7000, 7001, 7005, 1700, 1701, 1702 |

Idler Wheel Positioning

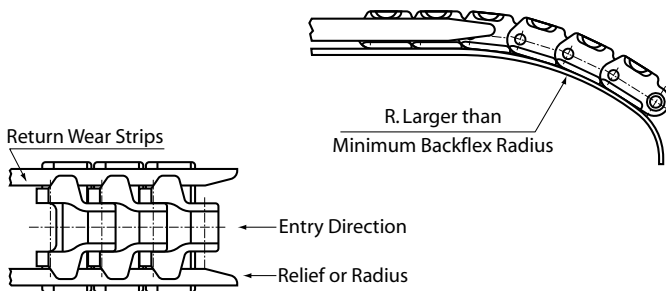
Idler wheels may be used in place of tail sprockets on one-piece chain conveyors. Idler wheels are not recommended for use with base roller chains. Constructed of engineered plastic, idler wheels are self-lubricating and provide resistance to most chemicals and corrosive conditions. To replace a tail sprocket with an idler wheel, two set collars can be employed to position the wheel and hold it slightly below the top of the wear strips as shown at right.



| Idler Wheels | S |
|--------------|-------|
| Z 15 | 1.90" |
| Z 17 | 2.22" |
| Z 19 | 2.47" |
| Z 21 | 2.70" |
| Z 23 | 2.94" |
| Z 25 | 3.17" |

Entry Radius

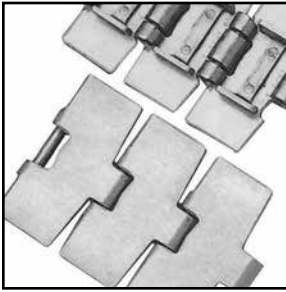
Allocation for sufficient entry radius to the return section of the conveyor must be provided in order to allow the chain to feed cleanly onto the return ways. The curve radius provided with the re-entry shoe should be at least that shown in the table.



| Chain Series Numbers | Min. Backflex Radius | Chain Series Numbers | Min. Backflex Radius |
|----------------------|----------------------|----------------------|----------------------|
| 815 | 6" | 881, 8810 | 2" |
| 805 | 6" | LBP 882 | 10" |
| 820, 831 | 2" | 882 | 2" |
| 821 | 2" | 1873 | 12" |
| 843 | 4" | 1874 | 10" |
| 863, 963 | 5" | 1700, 7000 | 2" |
| LBP 821 | 10" | 1843 | 2" |
| 831, 879 | 2" | | |

TAB chains with hold-down tabs should be guided onto return wear strips with a guide shoe or comparable support. Round corners should be provided at the entry of the return wear strips to facilitate a smooth entry of the TAB shoes.

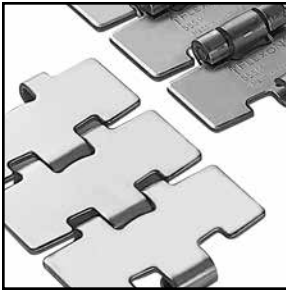
Steel Chain Materials



Material name: **C45 hardened carbon steel**
 This carbon steel material allows a higher yield load capability than stainless steel but is not corrosion resistant. The hardened plate material provides for a uniform hardness of 44 HRC.

- Features:**
- Surface hardness: 44 HRC

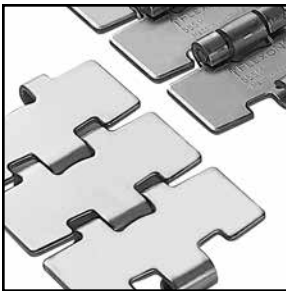
- Benefits:**
- High mechanical strength
 - High abrasion resistance



Material name: **Standard 430 grade ferritic stainless steel**
 AISI 430 Stainless steel material with good mechanical characteristics and limited corrosion resistance. An economical option for many conveying applications. Lower load and lower wear resistance capability than our other stainless steel materials.

- Features:**
- Rust resistant stainless steel

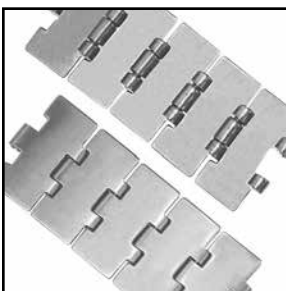
- Benefits:**
- Economic stainless steel option



Material name: **special 400 series Extra Plus high performance stainless steel**
 High performance stainless steel, specially developed for high speed and heavy duty applications. Offers excellent corrosion resistance and the highest surface hardness.

- Features:**
- Surface hardness of HRC 26-30
 - High corrosion and wear resistance
 - Extremely flat and best surface finish
 - Highest ultimate yield loading capability

- Benefits:**
- Typically used in pressureless combiners and excessively long conveyors.
 - Improved product stability, especially for P.E.T.



Material name: **304 grade Austenitic stainless Steel**
 AISI 304 Austenitic stainless steel which offers exceptionally high corrosion and acid resistance properties

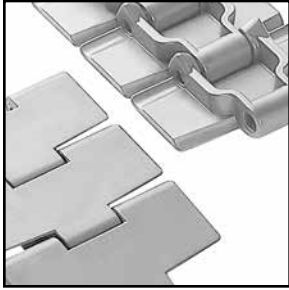
- Features:**
- Non magnetic stainless steel
 - 18% chrome and 8% nickel

- Benefits:**
- High corrosion and acid resistance material

STEEL CHAIN APPLICATION TEMPERATURES

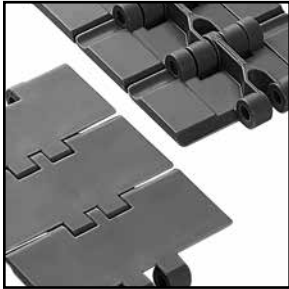
| Material | Symbol | Minimum Temp. °F | Max. Temp. °F Dry Environment |
|----------------------------|------------|------------------|-------------------------------|
| Carbon Steel | C45 | - 94° | + 356° |
| Ferritic Stainless Steel | Standard | - 22° | + 752° |
| Extra Plus Stainless Steel | Extra Plus | - 22° | + 752° |
| Austenitic Stainless Steel | Austic | - 22° | + 752° |

Other materials are available. See the complete System Plast conveyor chain catalog for details.



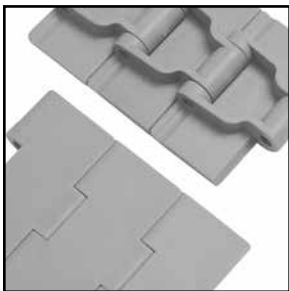
Material name: **LF, LFG, LFW Low Friction Acetal Resin**
 It is identical to the delrin acetal material and offers an improved coefficient of friction. This material is suitable for use in high speed applications.

Operating temperatures:
 dry: - 40°F to + 176°F
 wet: 32°F to +149°F
Color: Light Brown, Dark Grey or White
 This material is FDA (Food and Drug Administration) approved for direct contact with food.



Material name: **XPG Extra Performance**
 Extra performance acetal with a very low coefficient of friction compared to other LF materials. Suitable for high speed applications and reduced lubrication. Equivalent to other manufacturer's high performance materials.

Operating temperatures:
 dry: - 40°F to + 176°F
 wet: 32°F to +149°F
Color: Brown
 This material is FDA (Food and Drug Administration) approved for direct contact with food.



Material name: **NG New Generation**
 Extra performance PBT with the lowest coefficient of friction in our range, resulting in medium strength and optimum wear resistance, along with reduced plate wear and reduced pitch elongation. Suitable for dry running applications. NG material should not be exposed to high humidity levels or wet conditions at temperatures above 140°F. Available in flat top chain exclusively from System Plast .

Operating temperatures:
 up to 248°F
Color: Green or Dark Grey

PLASTIC CHAIN APPLICATION TEMPERATURES

| Material | Symbol | Minimum Temp. °F | Max. Temp. °F Dry Environment |
|---------------------------|---------|------------------|-------------------------------|
| Acetal Resin | D, W | - 40° | + 176° |
| Low Friction Acetal Resin | LF, LFW | - 40° | + 176° |
| Extra Performance | XPG | - 40° | + 176° |
| New Generation | NG | - 40° | + 248° |

Other materials are available. See the complete System Plast conveyor chain catalog for details.

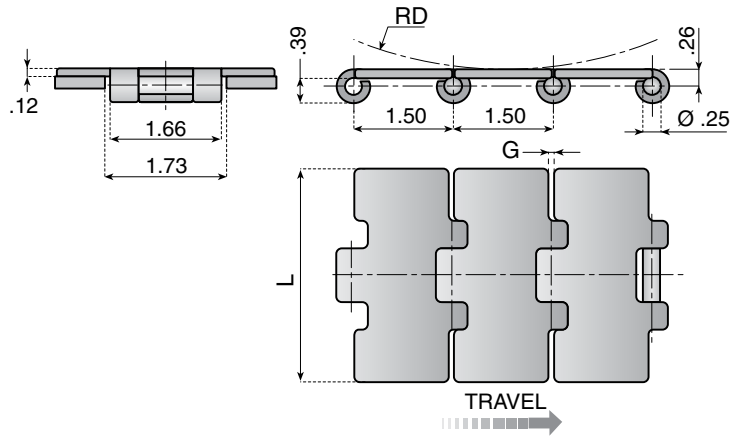
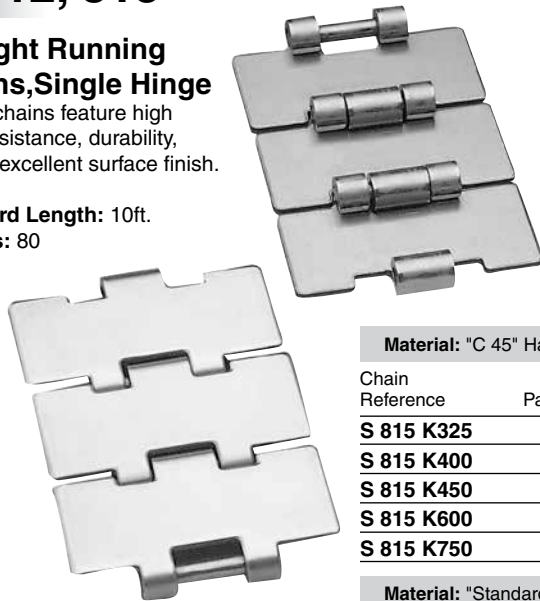
Straight Running Steel Chains

812, 815

Straight Running Chains, Single Hinge

These chains feature high wear resistance, durability, and an excellent surface finish.

Standard Length: 10ft.
Pitches: 80



Material: "C 45" Hardened carbon steel.

| Chain Reference | Part Number | Yield Point (lbs.) | Surface Finish (micro inches) | Flatness (max) | L (width) | G | RD | Weight (lbs. per ft.) |
|-------------------|--------------|--------------------|-------------------------------|----------------|--------------|------------|-------------|-----------------------|
| S 815 K325 | 10302 | 2696 | - | - | 3-1/4 | .07 | 5.91 | 1.74 |
| S 815 K400 | 10304 | 2696 | - | - | 4 | .07 | 5.91 | 2.01 |
| S 815 K450 | 10305 | 2696 | - | - | 4-1/2 | .07 | 5.91 | 2.21 |
| S 815 K600 | 10306 | 2696 | - | - | 6 | .07 | 5.91 | 2.81 |
| S 815 K750 | 10307 | 2696 | - | - | 7-1/2 | .07 | 5.91 | 3.42 |

Material: "Standard" 430 grade ferritic stainless steel.

| Chain Reference | Part Number | Yield Point (lbs.) | Surface Finish (micro inches) | Flatness (max) | L (width) | G | RD | Weight (lbs. per ft.) |
|---------------------|---------------|--------------------|-------------------------------|----------------|--------------|------------|-------------|-----------------------|
| SSL 812 K325 | 10001L | 1215 | 24 | .004 | 3-1/4 | .06 | 5.91 | 1.74 |
| SSR 812 K325 | 10007 | 1215 | 24 | .006 | 3-1/4 | .11 | 2.95 | 1.68 |
| SS 812 K400 | 10003 | 1215 | 24 | .008 | 4 | .07 | 5.91 | 2.01 |
| SS 812 K450 | 10004 | 1215 | 24 | .008 | 4-1/2 | .07 | 5.91 | 2.21 |
| SS 812 K600 | 10005 | 1215 | 24 | .012 | 6 | .07 | 5.91 | 2.81 |
| SS 812 K750 | 10006 | 1215 | 24 | .012 | 7-1/2 | .07 | 5.91 | 3.42 |

Material: Special 400 series "Extra Plus" high performance stainless steel.

| Chain Reference | Part Number | Yield Point (lbs.) | Surface Finish (micro inches) | Flatness (max) | L (width) | G | RD | Weight (lbs. per ft.) |
|----------------------|---------------|--------------------|-------------------------------|----------------|--------------|------------|-------------|-----------------------|
| SSEL 815 K325 | 10009L | 1911 | 12 | .004 | 3-1/4 | .06 | 5.91 | 1.74 |
| SSE 815 K400 | 10011 | 1911 | 12 | .008 | 4 | .07 | 5.91 | 2.01 |
| SSE 815 K450 | 10012 | 1911 | 12 | .008 | 4-1/2 | .07 | 5.91 | 2.21 |
| SSE 815 K600 | 10013 | 1911 | 12 | .012 | 6 | .07 | 5.91 | 2.81 |
| SSE 815 K750 | 10014 | 1911 | 12 | .012 | 7-1/2 | .07 | 5.91 | 3.42 |

Material: Special 400 series "Extra Plus" high performance stainless steel. Pins are made from vacuum hardened stainless steel.

| Chain Reference | Part Number | Yield Point (lbs.) | Surface Finish (micro inches) | Flatness (max) | L (width) | G | RD | Weight (lbs. per ft.) |
|-------------------------|---------------|--------------------|-------------------------------|----------------|--------------|------------|-------------|-----------------------|
| SSEL 815 K325 HB | 10036L | 1911 | 12 | .02 | 3-1/4 | .06 | 5.91 | 1.74 |

Material: 304 grade austenitic stainless steel.

| Chain Reference | Part Number | Yield Point (lbs.) | Surface Finish (micro inches) | Flatness (max) | L (width) | G | RD | Weight (lbs. per ft.) |
|---------------------|--------------|--------------------|-------------------------------|----------------|--------------|------------|-------------|-----------------------|
| SSA 815 K325 | 10016 | 1191 | 12 | .006 | 3-1/4 | .07 | 5.91 | 1.74 |
| SSA 815 K400 | 10018 | 1191 | 12 | .008 | 4 | .07 | 5.91 | 2.01 |
| SSA 815 K450 | 10019 | 1191 | 12 | .008 | 4-1/2 | .07 | 5.91 | 2.21 |
| SSA 815 K600 | 10020 | 1191 | 12 | .012 | 6 | .07 | 5.91 | 2.81 |
| SSA 815 K750 | 10021 | 1191 | 12 | .012 | 7-1/2 | .07 | 5.91 | 3.42 |

815L (Speed-Line)

Straight Running Chains, Single Hinge

Speed-Line chains feature specially designed plates and hinges that allow for smooth transfers. High speed applications or pressureless combiner areas are ideal for this type of chain. Other features include minimal gaps and an excellent surface finish.

Standard Length: 10ft.
Pitches: 80

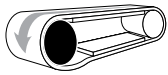
Material: Special 400 series "Extra Plus" high performance stainless steel.

| Chain Reference | Part Number | Yield Point (lbs.) | Surface Finish (micro inches) | Flatness (max) | Polished Hinges | L (width) | RD | Weight (lbs. per ft.) |
|----------------------|---------------|--------------------|-------------------------------|----------------|-----------------|--------------|----------|-----------------------|
| SPSL 815 K325 | 10085L | 1911 | 8 | .004 | yes | 3-1/4 | 6 | 1.74 |

Material: Special 400 series "Extra Plus" high performance stainless steel. Pins are made from vacuum hardened stainless steel.

| Chain Reference | Part Number | Yield Point (lbs.) | Surface Finish (micro inches) | Flatness (max) | Polished Hinges | L (width) | RD | Weight (lbs. per ft.) |
|-------------------------|---------------|--------------------|-------------------------------|----------------|-----------------|--------------|----------|-----------------------|
| SPSL 815 K325 HB | 10095L | 1911 | 8 | .004 | yes | 3-1/4 | 6 | 1.74 |

Straight Running Steel Chains



Drive Sprocket Options for 812, 815 Chains



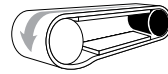
Machined Split



Molded Split

| Shaft Sized Bore Dia. | Teeth or Equivalent | Part Number | Part Number |
|-----------------------|---------------------|-------------|-------------|
| .71* | 19 | 12905 | - |
| 1 | 19 | 12529S | - |
| 1-1/4 | 19 | 12530S | - |
| 1-7/16 | 19 | 12538S | - |
| 1-1/2 | 19 | 12539S | - |
| .71* | 21 | 12906 | - |
| 1 | 21 | 12540S | 32053 |
| 1-1/4 | 21 | 12541S | 32054 |
| 1-7/16 | 21 | 12542S | 32055 |
| 1-1/2 | 21 | 12543S | 32056 |
| .71* | 23 | 12907 | - |
| 1 | 23 | 12544S | 32099 |
| 1-1/4 | 23 | 12545S | 32100 |
| 1-7/16 | 23 | 12546S | 32101 |
| 1-1/2 | 23 | 12547S | 32102 |
| .71* | 25 | 12908 | - |
| 1 | 25 | 12548S | 32065 |
| 1-1/4 | 25 | 12549S | 32066 |
| 1-7/16 | 25 | 12550S | 32067 |
| 1-1/2 | 25 | 12551S | 32068 |
| .71* | 27 | 121199 | - |
| 1 | 27 | 121200S | - |
| 1-1/4 | 27 | 121201S | - |
| 1-7/16 | 27 | 121202S | - |
| 1-1/2 | 27 | 121203S | - |

*Plain bore pilot hole. Not sized to a shaft.



Idler Options for 812, 815 Chains



Machined Split



Molded Split



Low-Friction Molded



Molded Split

| Part Number | Part Number | Part Number | Part Number |
|-------------|-------------|-------------|-------------|
| - | - | - | - |
| 121239S | - | - | - |
| 121240S | - | - | - |
| 121241S | - | - | - |
| 121242S | - | - | - |
| - | - | - | - |
| 121243S | 321080 | 32866 | 32077B |
| 121244S | 321081 | 32867 | 32078B |
| 121245S | 321082 | 32868 | 32079B |
| 121246S | 321083 | 32869 | 32080B |
| - | - | - | - |
| 121247S | 321085 | 32874 | - |
| 121248S | 321086 | 32875 | - |
| 121249S | 321087 | 32876 | - |
| 121250S | 321088 | 32877 | - |
| - | - | - | - |
| 121251S | 321090 | 32870 | 32081B |
| 121252S | 321091 | 32871 | 32082B |
| 121253S | 321092 | 32872 | 32083B |
| 121254S | 321093 | 32873 | 32084B |
| - | - | - | - |
| 121255S | - | - | - |
| 121256S | - | - | - |
| 121257S | - | - | - |
| 121258S | - | - | - |

See all sprockets and idlers on pages 101-125

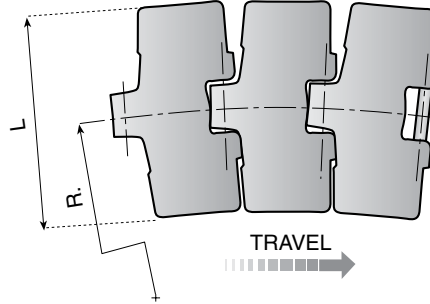
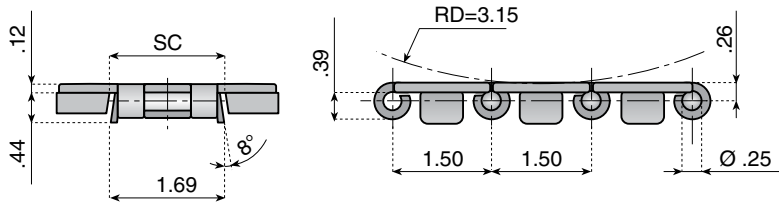
Side Flexing Steel Chains

881

Side Flexing Chains, Bevel Guides

These chains feature high wear resistance, exceptional durability and hardness, high tensile strength, and an excellent surface finish.

Standard Length: 10ft.
Pitches: 80



Material: 304 grade austenitic stainless steel.

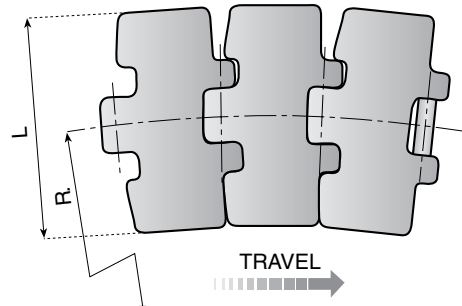
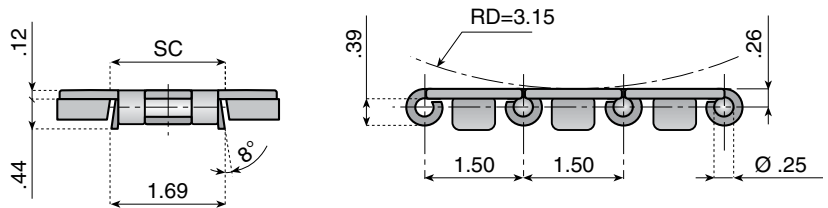
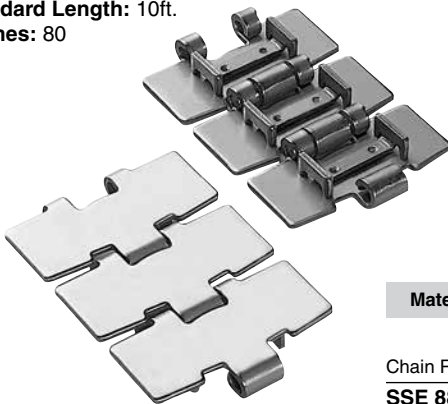
| Chain Reference | Part Number | Yield Point (lbs.) | Surface Finish (micro inches) | L (width) | R Min. | SC Straight | SC Curved | Weight (lbs. per ft.) |
|-----------------|-------------|--------------------|-------------------------------|-----------|--------|-------------|-----------|-----------------------|
| SSA 881 K325 | 10107 | 1011 | 12 | 3-1/4 | 20 | 1.75 | 1.63 | 2.01 |
| SSA 881 K450 | 10108 | 1011 | 12 | 4-1/2 | 20 | 1.75 | 1.63 | 2.48 |
| SSA 881 K750 | 10109 | 1011 | 12 | 7-1/2 | 20 | 1.75 | 1.63 | 3.69 |

881O

Side Flexing Chains, Bevel Guides

881O offers a further improvement to the standard chains series 881. This chain has a smaller gap between plates and therefore creates a larger surface area for conveying purposes and improved product stability.

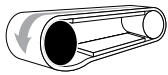
Standard Length: 10ft.
Pitches: 80



Material: Special 400 series "Extra Plus" high performance stainless steel.

| Chain Reference | Part Number | Yield Point (lbs.) | Surface Finish (micro inches) | L (width) | R Min. | SC Straight | SC Curved | Weight (lbs. per ft.) |
|-----------------|-------------|--------------------|-------------------------------|-----------|--------|-------------|-----------|-----------------------|
| SSE 881O K325 | 10400 | 1574 | 12 | 3-1/4 | 20 | 1.75 | 1.63 | 2.01 |
| SSE 881O K450 | 10401 | 1574 | 12 | 4-1/2 | 20 | 1.75 | 1.63 | 2.48 |
| SSE 881O K750 | 10402 | 1574 | 12 | 7-1/2 | 20 | 1.75 | 1.63 | 3.69 |

Side Flexing Steel Chains



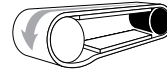
Drive Sprocket Options for 881 Chains



Machined Split

Molded Split

| Shaft Sized Bore Dia. | Teeth or Equivalent | Part Number | Part Number |
|-----------------------|---------------------|-------------|-------------|
| .71* | 21 | 12967 | - |
| 1 | 21 | 32473 | 32061 |
| 1-1/4 | 21 | 32474 | 32062 |
| 1-7/16 | 21 | 32475 | 32063 |
| 1-1/2 | 21 | - | 32064 |
| <hr/> | | | |
| .71* | 23 | 12968 | - |
| 1 | 23 | 32477 | 32109 |
| 1-1/4 | 23 | 32478 | 32110 |
| 1-7/16 | 23 | 32479 | 32111 |
| 1-1/2 | 23 | 32480 | 32112 |
| <hr/> | | | |
| .71* | 25 | 12969 | - |
| 1 | 25 | 32481 | 32073 |
| 1-1/4 | 25 | 32482 | 32074 |
| 1-7/16 | 25 | 32483 | 32075 |
| 1-1/2 | 25 | 32484 | 32076 |
| <hr/> | | | |
| .71* | 27 | 121217 | - |
| 1 | 27 | 321218 | - |
| 1-1/4 | 27 | 321219 | - |
| 1-7/16 | 27 | - | - |
| 1-1/2 | 27 | 321221 | - |



Idler Options for 881 Chains



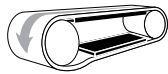
Machined Split

Molded Split

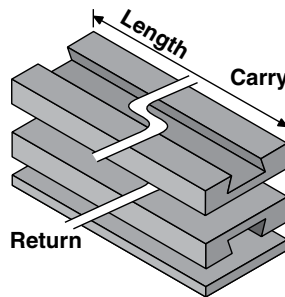
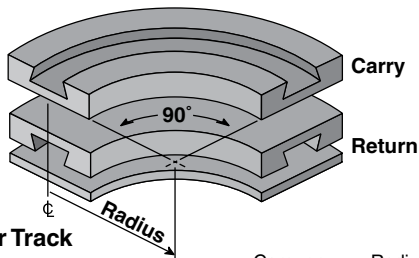
| Part Number | Part Number |
|-------------|-------------|
| - | - |
| - | - |
| - | - |
| - | - |
| - | - |
| <hr/> | |
| - | - |
| 321283 | - |
| 321284 | - |
| 321285 | - |
| 321286 | - |
| <hr/> | |
| - | - |
| 321287 | 321120 |
| 321288 | 321121 |
| 321289 | - |
| 321290 | - |
| <hr/> | |
| - | - |
| - | - |
| - | - |
| - | - |
| - | - |

*Plain bore pilot hole. Not sized to a shaft.

See all sprockets and idlers on pages 101-125



Track Options for 881 Chains



Corner Track

| Part Number | Track Width | Carry or Return | Radius (inches) |
|------------------|-------------|-----------------|-----------------|
| VT-980-B-18-0325 | 3.75 | Carry | 18 |
| VT-980-B-24-0325 | 3.75 | Carry | 24 |
| VT-980-R-18-0325 | 3.75 | Return | 18 |
| VT-980-R-24-0325 | 3.75 | Return | 24 |
| VT-980-B-24-0450 | 5.0 | Carry | 24 |
| VT-980-R-24-0450 | 5.0 | Return | 24 |
| VT-981-B-24-0750 | 8.0 | Carry | 24 |
| VT-981-R-24-0750 | 8.0 | Return | 24 |

Straight Track

| Part Number | Track Width | Carry or Return | Length (feet) |
|--------------------|-------------|-----------------|---------------|
| VT-980-B-S-0325-3 | 3.75 | Carry | 3 |
| VT-980-B-S-0325-6 | 3.75 | Carry | 6 |
| VT-980-B-S-0325-10 | 3.75 | Carry | 10 |
| VT-980-R-S-0325-3 | 3.75 | Return | 3 |
| VT-980-R-S-0325-6 | 3.75 | Return | 6 |
| VT-980-R-S-0325-10 | 3.75 | Return | 10 |
| VT-980-B-S-0450-3 | 5.0 | Carry | 3 |
| VT-980-B-S-0450-6 | 5.0 | Carry | 6 |
| VT-980-B-S-0450-10 | 5.0 | Carry | 10 |
| VT-980-R-S-0450-10 | 5.0 | Return | 10 |
| VT-981-B-S-0750-3 | 8.0 | Carry | 3 |
| VT-981-B-S-0750-6 | 8.0 | Carry | 6 |
| VT-981-B-S-0750-10 | 8.0 | Carry | 10 |
| VT-981-R-S-0750-3 | 8.0 | Return | 3 |
| VT-981-R-S-0750-6 | 8.0 | Return | 6 |
| VT-981-R-S-0750-10 | 8.0 | Return | 10 |

See all ValuTrac modules on pages 130-145

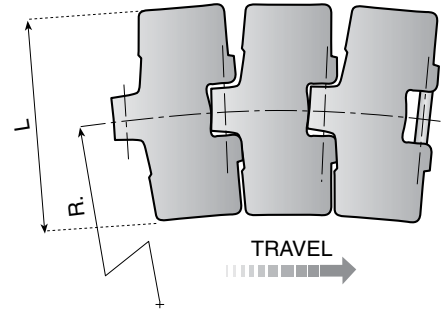
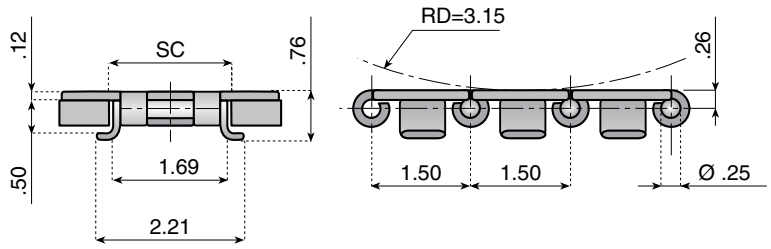
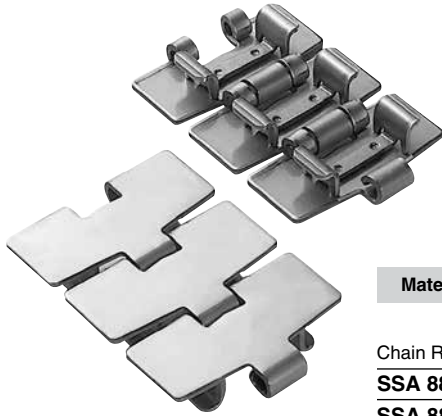
881 TAB

Side Flexing Chains, TAB Guides

These chains feature high wear resistance, exceptional durability and hardness, and high tensile strength.

Standard Length: 10ft.

Pitches: 80



Material: 304 grade austenitic stainless steel.

| Chain Reference | Part Number | Yield Point (lbs.) | Surface Finish (micro inches) | L (width) | R Min. | SC Straight | SC Curved | Weight (lbs. per ft.) |
|------------------|-------------|--------------------|-------------------------------|-----------|--------|-------------|-----------|-----------------------|
| SSA 881 TAB K325 | 10110 | 1011 | 12 | 3-1/4 | 18 | 1.81 | 1.77 | 2.01 |
| SSA 881 TAB K450 | 10111 | 1011 | 12 | 4-1/2 | 24 | 1.81 | 1.77 | 2.48 |
| SSA 881 TAB K750 | 10112 | 1011 | 12 | 7-1/2 | 24 | 1.81 | 1.77 | 3.69 |

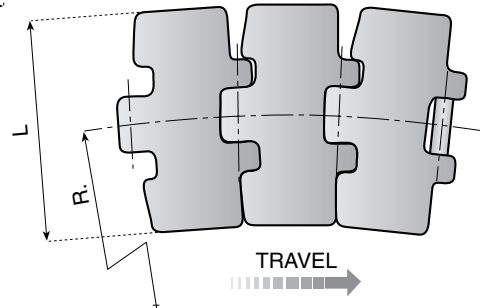
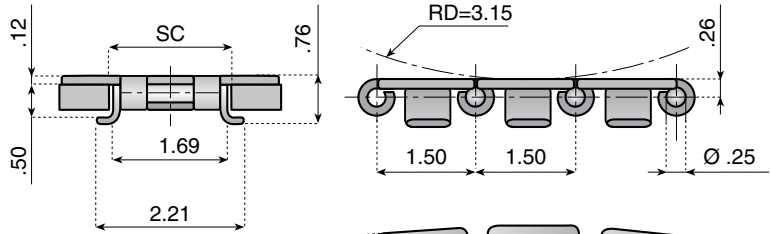
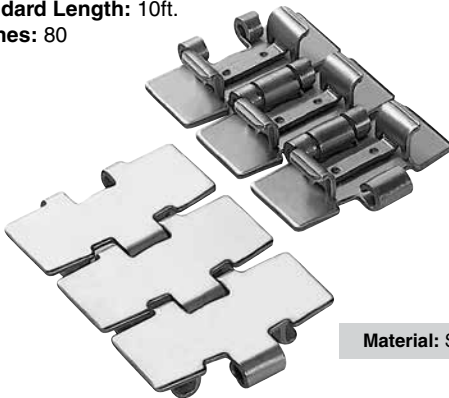
881O TAB

Side Flexing Chains, TAB Guides

881O TAB offers a further improvement to the standard chains series 881 TAB. This chain has a smaller gap between plates and therefore creates a larger surface area for conveying purposes while improving product stability.

Standard Length: 10ft.

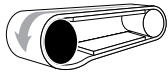
Pitches: 80



Material: Special 400 series "Extra Plus" high performance stainless steel.

| Chain Reference | Part Number | Yield Point (lbs.) | Surface Finish (micro inches) | L (width) | R Min. | SC Straight | SC Curved | Weight (lbs. per ft.) |
|-------------------|-------------|--------------------|-------------------------------|-----------|--------|-------------|-----------|-----------------------|
| SSE 881O TAB K325 | 10403 | 1574 | 12 | 3-1/4 | 18 | 1.81 | 1.77 | 2.01 |
| SSE 881O TAB K450 | 10404 | 1574 | 12 | 4-1/2 | 24 | 1.81 | 1.77 | 2.48 |
| SSE 881O TAB K750 | 10405 | 1574 | 12 | 7-1/2 | 24 | 1.81 | 1.77 | 3.69 |

Side Flexing Steel Chains



Drive Sprocket Options for 881TAB Chains

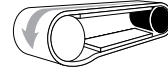


Machined Split

Molded Split

| Shaft Sized Bore Dia. | Teeth or Equivalent | Part Number | Part Number |
|-----------------------|---------------------|-------------|-------------|
| .71* | 21 | 12967 | - |
| 1 | 21 | 32473 | 32061 |
| 1-1/4 | 21 | 32474 | 32062 |
| 1-7/16 | 21 | 32475 | 32063 |
| 1-1/2 | 21 | - | 32064 |
| .71* | 23 | 12968 | - |
| 1 | 23 | 32477 | 32109 |
| 1-1/4 | 23 | 32478 | 32110 |
| 1-7/16 | 23 | 32479 | 32111 |
| 1-1/2 | 23 | 32480 | 32112 |
| .71* | 25 | 12969 | - |
| 1 | 25 | 32481 | 32073 |
| 1-1/4 | 25 | 32482 | 32074 |
| 1-7/16 | 25 | 32483 | 32075 |
| 1-1/2 | 25 | 32484 | 32076 |
| .71* | 27 | 121217 | - |
| 1 | 27 | 321218 | - |
| 1-1/4 | 27 | 321219 | - |
| 1-7/16 | 27 | - | - |
| 1-1/2 | 27 | 321221 | - |

*Plain bore pilot hole. Not sized to a shaft.



Idler Options for 881TAB Chains

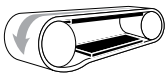


Machined Split

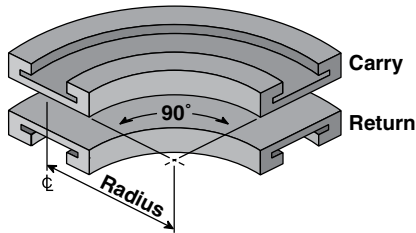
Molded Split

| Part Number | Part Number |
|-------------|-------------|
| - | - |
| - | - |
| - | - |
| - | - |
| - | - |
| - | - |
| 321283 | - |
| 321284 | - |
| 321285 | - |
| 321286 | - |
| - | - |
| 321287 | 321120 |
| 321288 | 321121 |
| 321289 | - |
| 321290 | - |
| - | - |
| - | - |
| - | - |
| - | - |
| - | - |

See all sprockets and idlers on pages 101-125

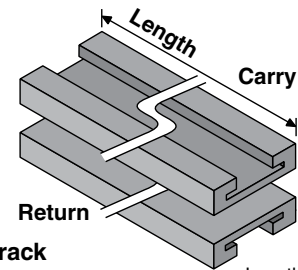


Track Options for 881TAB Chains



Corner Track

| Part Number | Track Width | Radius (inches) |
|------------------|-------------|-----------------|
| VT-980-T-18-0325 | 3.75 | 18 |
| VT-980-T-24-0325 | 3.75 | 24 |
| VT-980-T-24-0450 | 5.0 | 24 |
| VT-981-T-24-0750 | 8.0 | 24 |



Straight Track

| Part Number | Track Width | Length (feet) |
|--------------------|-------------|---------------|
| VT-980-T-S-0325-3 | 3.75 | 3 |
| VT-980-T-S-0325-6 | 3.75 | 6 |
| VT-980-T-S-0325-10 | 3.75 | 10 |
| VT-980-T-S-0450-3 | 5.0 | 3 |
| VT-980-T-S-0450-6 | 5.0 | 6 |
| VT-980-T-S-0450-10 | 5.0 | 10 |
| VT-981-T-S-0750-3 | 8.0 | 3 |
| VT-981-T-S-0750-6 | 8.0 | 6 |
| VT-981-T-S-0750-10 | 8.0 | 10 |

See all ValuTrac modules on pages 130-145

Magnetic Side Flexing Steel Chains

881 M, 881 MO

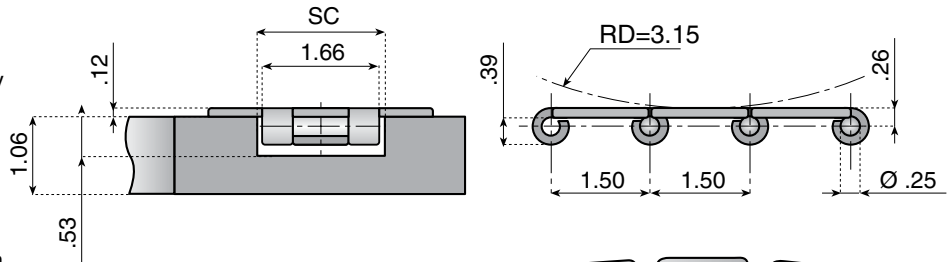
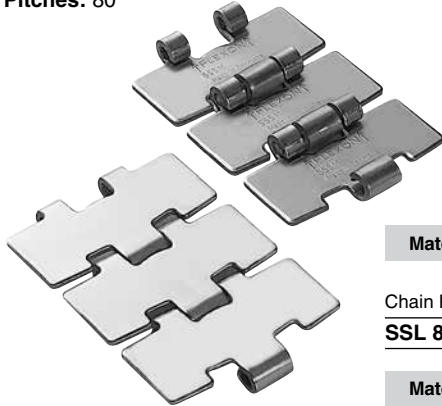
Magnetic Side Flexing Chains

Series 881 M is securely retained in the curve by magnets embedded in the chain track material. There are no tabs or bevels on these chains, so they can be easily removed for maintenance or cleaning, without dismantling the chain.

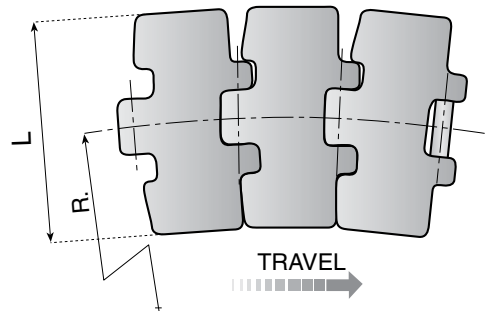
Series 881 MO (Magnet Optimal) is a further development of the traditional series 881 M. With more material in each plate and smaller gaps between each link, improved product transfer and stability can be achieved.

In order to achieve this advantage, the minimum radius of the 3-1/4 version of this chain is 20".

Standard Length: 10ft.
Pitches: 80



See page 146 for more information.



Material: "Standard" 430 grade ferritic stainless steel.

| Chain Reference | Part Number | Yield Point (lbs.) | Surface Finish (micro inches) | Flatness (max) | Polished Hinges | L (width) | R Min. | SC | Weight (lbs. per ft.) |
|------------------------|---------------|--------------------|-------------------------------|----------------|-----------------|--------------|-----------|------------|-----------------------|
| SSL 881 MO K325 | 10208L | 1215 | 24 | .004 | yes | 3-1/4 | 20 | 177 | 1.68 |

Material: Special 400 series "Extra Plus" high performance stainless steel.

| Chain Reference | Part Number | Yield Point (lbs.) | Surface Finish (micro inches) | Flatness (max) | Polished Hinges | L (width) | R Min. | SC | Weight (lbs. per ft.) |
|-------------------------|---------------|--------------------|-------------------------------|----------------|-----------------|--------------|-----------|-------------|-----------------------|
| SSEL 881 MO K325 | 10206L | 1912 | 12 | .004 | yes | 3-1/4 | 20 | 1.77 | 1.68 |
| SSE 881 M K450 | 10201 | 1912 | 12 | .008 | no | 4-1/2 | 20 | 1.77 | 2.08 |
| SSE 881 M K750 | 10203 | 1912 | 12 | .012 | no | 7-1/2 | 20 | 1.77 | 3.29 |

Material: Special 400 series "Extra Plus" high performance stainless steel. Pins are made from vacuum hardened stainless steel.

| Chain Reference | Part Number | Yield Point (lbs.) | Surface Finish (micro inches) | L (width) | R Min. | SC | Weight (lbs. per ft.) |
|----------------------------|---------------|--------------------|-------------------------------|--------------|-----------|-------------|-----------------------|
| SSEL 881 MO K325 HB | 10213L | 1912 | 12 | 3-1/4 | 20 | 1.77 | 1.68 |

L881 MO (Speed-Line)

Magnetic Side Flexing Chains

Speed-Line chains feature all the advantages of the magnetic system, plus specially designed plates and hinges that allow for smooth transfers. High speed applications or pressure-less combiner areas are ideal for this type of chain. Other features include minimal gaps and an excellent surface finish.

Standard Length: 10ft.
Pitches: 80

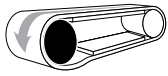
Material: Special 400 series "Extra Plus" high performance stainless steel.

| Chain Reference | Part Number | Yield Point (lbs.) | Surface Finish (micro inches) | Flatness (max) | Polished Hinges | L (width) | R Min. | SC | Weight (lbs. per ft.) |
|-------------------------|---------------|--------------------|-------------------------------|----------------|-----------------|--------------|-----------|-------------|-----------------------|
| SPSL 881 MO K325 | 10255L | 1912 | 8 | .004 | yes | 3-1/4 | 20 | 1.77 | 1.68 |

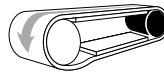
Material: Special 400 series "Extra Plus" high performance stainless steel. Pins are made from vacuum hardened stainless steel.

| | | | | | | | | | |
|----------------------------|---------------|-------------|----------|-------------|------------|--------------|-----------|-------------|-------------|
| SPSL 881 MO K325 HB | 10265L | 1912 | 8 | .004 | yes | 3-1/4 | 20 | 1.77 | 1.68 |
|----------------------------|---------------|-------------|----------|-------------|------------|--------------|-----------|-------------|-------------|

Magnetic Side Flexing Steel Chains



Drive Sprocket Options for 881 M, 881 MO Chains



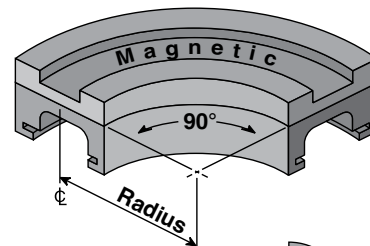
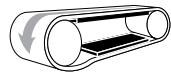
Idler Options for 881 M, 881 MO Chains

See all sprockets and idlers on pages 101-125



| Shaft Sized Bore Dia. | Teeth or Equivalent | Machined Split Part Number | Molded Split Part Number | Machined Split Part Number | Molded Split Part Number | Low-Friction Molded Part Number | Molded Split Part Number |
|-----------------------|---------------------|----------------------------|--------------------------|----------------------------|--------------------------|---------------------------------|--------------------------|
| .71* | 19 | 12905 | - | - | - | - | - |
| 1 | 19 | 12529S | - | 121239S | - | - | - |
| 1-1/4 | 19 | 12530S | - | 121240S | - | - | - |
| 1-7/16 | 19 | 12538S | - | 121241S | - | - | - |
| 1-1/2 | 19 | 12539S | - | 121242S | - | - | - |
| .71* | 21 | 12906 | - | - | - | - | - |
| 1 | 21 | 12540S | 32053 | 121243S | 321080 | 32866 | 32077B |
| 1-1/4 | 21 | 12541S | 32054 | 121244S | 321081 | 32867 | 32078B |
| 1-7/16 | 21 | 12542S | 32055 | 121245S | 321082 | 32868 | 32079B |
| 1-1/2 | 21 | 12543S | 32056 | 121246S | 321083 | 32869 | 32080B |
| .71* | 23 | 12907 | - | - | - | - | - |
| 1 | 23 | 12544S | 32099 | 121247S | 321085 | 32874 | - |
| 1-1/4 | 23 | 12545S | 32100 | 121248S | 321086 | 32875 | - |
| 1-7/16 | 23 | 12546S | 32101 | 121249S | 321087 | 32876 | - |
| 1-1/2 | 23 | 12547S | 32102 | 121250S | 321088 | 32877 | - |
| .71* | 25 | 12908 | - | - | - | - | - |
| 1 | 25 | 12548S | 32065 | 121251S | 321090 | 32870 | 32081B |
| 1-1/4 | 25 | 12549S | 32066 | 121252S | 321091 | 32871 | 32082B |
| 1-7/16 | 25 | 12550S | 32067 | 121253S | 321092 | 32872 | 32083B |
| 1-1/2 | 25 | 12551S | 32068 | 121254S | 321093 | 32873 | 32084B |
| .71* | 27 | 121199 | - | - | - | - | - |
| 1 | 27 | 121200S | - | 121255S | - | - | - |
| 1-1/4 | 27 | 121201S | - | 121256S | - | - | - |
| 1-7/16 | 27 | 121202S | - | 121257S | - | - | - |
| 1-1/2 | 27 | 121203S | - | 121258S | - | - | - |

*Plain bore pilot hole. Not sized to a shaft.



See all Magnetic Corner Tracks on pages 146-153

Track Options for 881 MO Chains / K325 and K330 Series

| Number of Tracks | Total Width | | Corner Angle | | | | | |
|------------------|-------------|--------|----------------|----------------|----------------|----------------|----------------|----------------|
| | mm | inches | 15° | 30° | 45° | 60° | 75° | 90° |
| 1 | 100 | 3.94 | KMD.14.15.01.A | KMD.14.30.01.A | KMD.14.45.01.A | KMD.14.60.01.A | KMD.14.75.01.A | KMD.14.90.01.A |
| 2 | 185 | 7.28 | KMD.14.15.02.A | KMD.14.30.02.A | KMD.14.45.02.A | KMD.14.60.02.A | KMD.14.75.02.A | KMD.14.90.02.A |
| 3 | 270 | 10.63 | KMD.14.15.03.A | KMD.14.30.03.A | KMD.14.45.03.A | KMD.14.60.03.A | KMD.14.75.03.A | KMD.14.90.03.A |
| 4 | 355 | 13.98 | KMD.14.15.04.A | KMD.14.30.04.A | KMD.14.45.04.A | KMD.14.60.04.A | KMD.14.75.04.A | KMD.14.90.04.A |

Track Options for 881 M Chains / K450 Series

| Number of Tracks | Total Width | | Corner Angle | | | | | |
|------------------|-------------|--------|----------------|----------------|----------------|----------------|----------------|----------------|
| | mm | inches | 15° | 30° | 45° | 60° | 75° | 90° |
| 1 | 129 | 5.08 | KMD.23.15.01.A | KMD.23.30.01.A | KMD.23.45.01.A | KMD.23.60.01.A | KMD.23.75.01.A | KMD.23.90.01.A |
| 2 | 246 | 9.69 | KMD.23.15.02.A | KMD.23.30.02.A | KMD.23.45.02.A | KMD.23.60.02.A | KMD.23.75.02.A | KMD.23.90.02.A |
| 3 | 363 | 14.29 | KMD.23.15.03.A | KMD.23.30.03.A | KMD.23.45.03.A | KMD.23.60.03.A | KMD.23.75.03.A | KMD.23.90.03.A |
| 4 | 480 | 18.90 | KMD.23.15.04.A | KMD.23.30.04.A | KMD.23.45.04.A | KMD.23.60.04.A | KMD.23.75.04.A | KMD.23.90.04.A |

Track Options for 881 MO Chains / K750 Series

| Number of Tracks | Total Width | | Corner Angle | | | | | |
|------------------|-------------|--------|----------------|----------------|----------------|----------------|----------------|----------------|
| | mm | inches | 15° | 30° | 45° | 60° | 75° | 90° |
| 1 | 214 | 8.43 | KMD.31.15.01.A | KMD.31.30.01.A | KMD.31.45.01.A | KMD.31.60.01.A | KMD.31.75.01.A | KMD.31.90.01.A |
| 2 | 410 | 16.14 | KMD.31.15.02.A | KMD.31.30.02.A | KMD.31.45.02.A | KMD.31.60.02.A | KMD.31.75.02.A | KMD.31.90.02.A |
| 3 | 606 | 23.86 | KMD.31.15.03.A | KMD.31.30.03.A | KMD.31.45.03.A | KMD.31.60.03.A | KMD.31.75.03.A | KMD.31.90.03.A |

For additional number of tracks in a magnetic curve, see the chain track catalog section.

Straight Running Plastic Chains

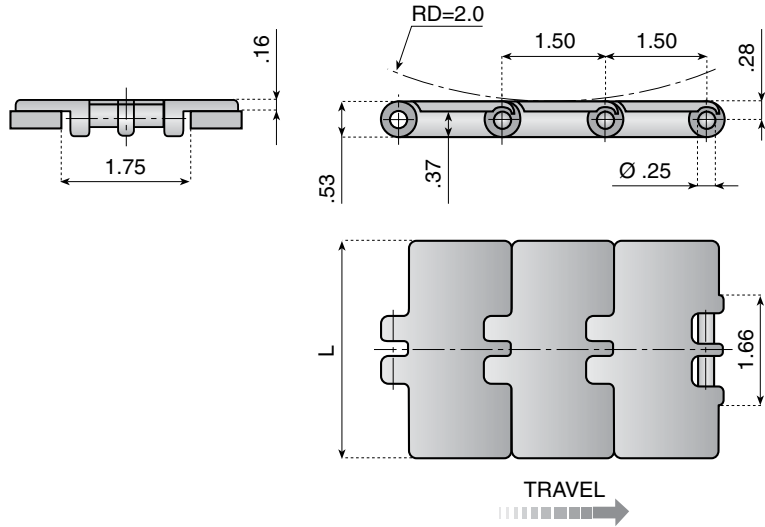
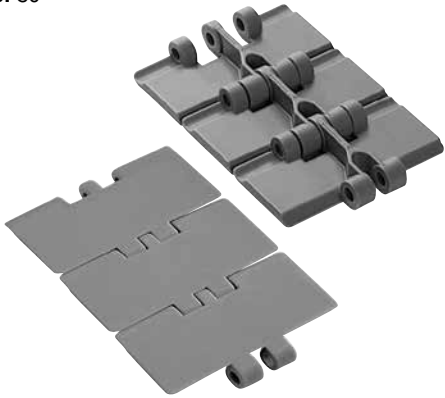
820

Straight Running Chains, Single Hinge

Low noise level, low coefficient of friction, and low horsepower requirements are the advantages of these chains. They provide an excellent flat surface and medium working load in a dry running environment.

Applications for the food and beverage industry include conveying lines for PET bottles and aluminium or steel cans. Lines packaging PET bottle packs in heat shrink film, paper board boxes, or cans in heat shrink film, can also be fitted with these chains. Pharmaceutical industry applications include all general purpose conveying.

Standard Length: 10ft.
Pitches: 80



Material: "LF Brown" Low friction acetal with 304 stainless steel pins.

| Chain Reference | Part Number | Breaking Load (lbs.) | L (width) | Weight (lbs. per ft.) |
|--------------------|--------------|----------------------|--------------|-----------------------|
| LF 820 K325 | 11362 | 1124 | 3-1/4 | .57 |
| LF 820 K400 | 11365 | 1124 | 4 | .64 |
| LF 820 K450 | 11368 | 1124 | 4-1/2 | .69 |
| LF 820 K600 | 11371 | 1124 | 6 | .84 |
| LF 820 K750 | 11374 | 1124 | 7-1/2 | .99 |

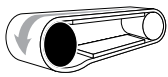
Material: "XPG Dark Grey" Very low friction acetal with 304 stainless steel pins.

| Chain Reference | Part Number | Breaking Load (lbs.) | L (width) | Weight (lbs. per ft.) |
|---------------------|---------------|----------------------|--------------|-----------------------|
| XPG 820 K325 | 11100G | 1079 | 3-1/4 | .57 |
| XPG 820 K450 | 11102G | 1079 | 4-1/2 | .69 |
| XPG 820 K600 | 11103G | 1079 | 6 | .84 |
| XPG 820 K750 | 11104G | 1079 | 7-1/2 | .99 |

Material: "NG Green" Our proprietary lowest friction PBT with 304 stainless steel pins.

| Chain Reference | Part Number | Breaking Load (lbs.) | L (width) | Weight (lbs. per ft.) |
|--------------------|--------------|----------------------|--------------|-----------------------|
| NG 820 K325 | 11151 | 899 | 3-1/4 | .57 |
| NG 820 K450 | 11154 | 899 | 4-1/2 | .69 |
| NG 820 K600 | 11155 | 899 | 6 | .84 |
| NG 820 K750 | 11156 | 899 | 7-1/2 | .99 |

Straight Running Plastic Chains



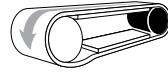
Drive Sprocket Options for 820 Chains



Machined Split



Molded Split



Idler Options for 820 Chains



Machined Split



Molded Split



Low-Friction Molded



Molded Split

| Shaft Sized Bore Dia. | Teeth or Equivalent | Machined Split Part Number | Molded Split Part Number | Machined Split Part Number | Molded Split Part Number | Low-Friction Molded Part Number | Molded Split Part Number |
|-----------------------|---------------------|----------------------------|--------------------------|----------------------------|--------------------------|---------------------------------|--------------------------|
| .71* | 19 | 12961 | - | - | - | - | - |
| 1 | 19 | 12924S | - | 121147S | - | - | - |
| 1-1/4 | 19 | 12925S | - | 121148S | - | - | - |
| 1-7/16 | 19 | 12926S | - | 121149S | - | - | - |
| 1-1/2 | 19 | 12927S | - | 121150S | - | - | - |
| .71* | 21 | 12962 | - | - | - | - | - |
| 1 | 21 | 12928S | 32057 | 121151S | 321095 | 32866 | 32077B |
| 1-1/4 | 21 | 12929S | 32058 | 121152S | 321096 | 32867 | 32078B |
| 1-7/16 | 21 | 12930S | 32059 | 121153S | 321097 | 32868 | 32079B |
| 1-1/2 | 21 | 12931S | 32060 | 121154S | 321098 | 32869 | 32080B |
| .71* | 23 | 12963 | - | - | - | - | - |
| 1 | 23 | 12932S | 32104 | 121155S | 321100 | 32874 | - |
| 1-1/4 | 23 | 12933S | 32105 | 121156S | 321101 | 32875 | - |
| 1-7/16 | 23 | 12934S | 32106 | 121157S | 321102 | 32876 | - |
| 1-1/2 | 23 | 12935S | 32107 | 121158S | 321103 | 32877 | - |
| .71* | 25 | 12964 | - | - | - | - | - |
| 1 | 25 | 12936S | 32069 | 121159S | 321105 | 32870 | 32081B |
| 1-1/4 | 25 | 12937S | 32070 | 121160S | 321106 | 32871 | 32082B |
| 1-7/16 | 25 | 12938S | 32071 | 121161S | 321107 | 32872 | 32083B |
| 1-1/2 | 25 | 12939S | 32072 | 121162S | 321108 | 32873 | 32084B |
| .71* | 27 | 121125 | - | - | - | - | - |
| 1 | 27 | 121126S | - | 121163S | - | - | - |
| 1-1/4 | 27 | 121127S | - | 121164S | - | - | - |
| 1-7/16 | 27 | 121128S | - | 121165S | - | - | - |
| 1-1/2 | 27 | 121129S | - | 121166S | - | - | - |

*Plain bore pilot hole. Not sized to a shaft.

See all sprockets and idlers on pages 101-125

Straight Running Plastic Chains

831

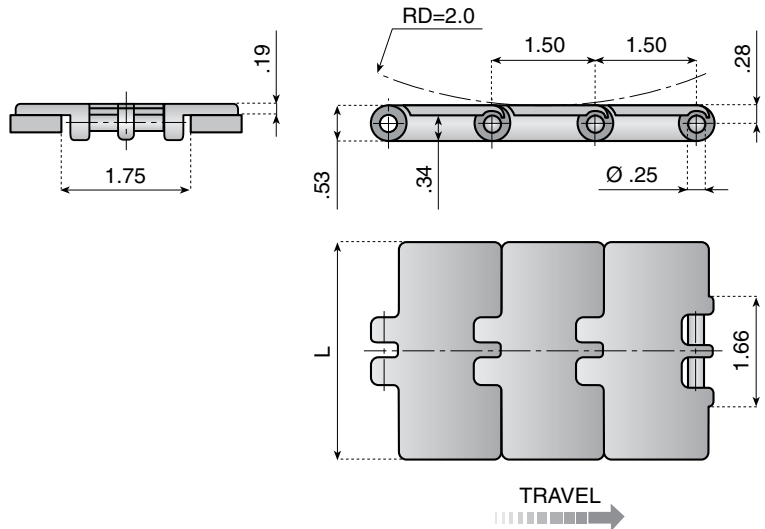
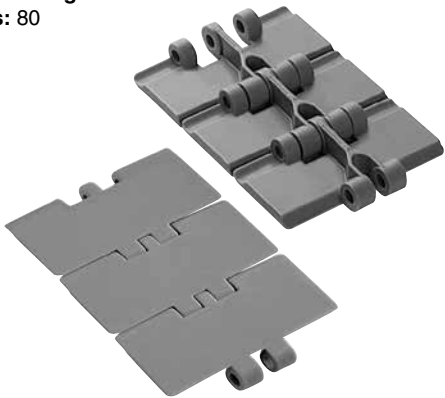
Straight Running Chains, Single Hinge

Low noise level, low coefficient of friction, and low horsepower requirements are the advantages of these chains. They provide an excellent flat surface and medium working load in a dry running environment.

Applications for the food and beverage industry include conveying lines for PET bottles and aluminium or steel cans. Lines packaging PET bottle packs in heat shrink film, paper board boxes, or cans in heat shrink film, can also be fitted with these chains. Pharmaceutical industry applications include all general purpose conveying.

The added thickness (3/16 in.) of the 831 series top plate adds 20% more wear life, and simplifies conveyor design when matching with chain series: 821, 879, 882, 878.

Standard Length: 10ft.
Pitches: 80



Material: "LF Brown" Low friction acetal with 304 stainless steel pins.

| Chain Reference | Part Number | Breaking Load (lbs.) | L (width) | Weight (lbs. per ft.) |
|--------------------|--------------|----------------------|--------------|-----------------------|
| LF 831 K325 | 11607 | 1124 | 3-1/4 | .70 |
| LF 831 K450 | 11608 | 1124 | 4-1/2 | .86 |
| LF 831 K750 | 11609 | 1124 | 7-1/2 | 1.22 |

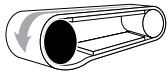
Material: "XPG Dark Grey" Very low friction acetal with 304 stainless steel pins.

| Chain Reference | Part Number | Breaking Load (lbs.) | L (width) | Weight (lbs. per ft.) |
|---------------------|---------------|----------------------|--------------|-----------------------|
| XPG 831 K325 | 11105G | 1079 | 3-1/4 | .70 |
| XPG 831 K450 | 11106G | 1079 | 4-1/2 | .86 |
| XPG 831 K750 | 11107G | 1079 | 7-1/2 | 1.22 |

Material: "NG Green" Our proprietary lowest friction PBT with 304 stainless steel pins.

| Chain Reference | Part Number | Breaking Load (lbs.) | L (width) | Weight (lbs. per ft.) |
|--------------------|--------------|----------------------|--------------|-----------------------|
| NG 831 K325 | 11160 | 899 | 3-1/4 | .70 |
| NG 831 K450 | 11161 | 899 | 4-1/2 | .86 |
| NG 831 K750 | 11162 | 899 | 7-1/2 | 1.22 |

Straight Running Plastic Chains



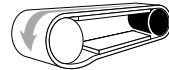
Drive Sprocket Options for 831 Chains



Machined Split



Molded Split



Idler Options for 831 Chains



Machined Split



Molded Split



Low-Friction Molded



Molded Split

| Shaft Sized Bore Dia. | Teeth or Equivalent | Part Number | Part Number | Part Number | Part Number | Part Number | Part Number |
|-----------------------|---------------------|-------------|-------------|-------------|-------------|-------------|-------------|
| .71* | 19 | 12961 | - | - | - | - | - |
| 1 | 19 | 12924S | - | 121147S | - | - | - |
| 1-1/4 | 19 | 12925S | - | 121148S | - | - | - |
| 1-7/16 | 19 | 12926S | - | 121149S | - | - | - |
| 1-1/2 | 19 | 12927S | - | 121150S | - | - | - |
| .71* | 21 | 12962 | - | - | - | - | - |
| 1 | 21 | 12928S | 32057 | 121151S | 321095 | 32866 | 32077B |
| 1-1/4 | 21 | 12929S | 32058 | 121152S | 321096 | 32867 | 32078B |
| 1-7/16 | 21 | 12930S | 32059 | 121153S | 321097 | 32868 | 32079B |
| 1-1/2 | 21 | 12931S | 32060 | 121154S | 321098 | 32869 | 32080B |
| .71* | 23 | 12963 | - | - | - | - | - |
| 1 | 23 | 12932S | 32104 | 121155S | 321100 | 32874 | - |
| 1-1/4 | 23 | 12933S | 32105 | 121156S | 321101 | 32875 | - |
| 1-7/16 | 23 | 12934S | 32106 | 121157S | 321102 | 32876 | - |
| 1-1/2 | 23 | 12935S | 32107 | 121158S | 321103 | 32877 | - |
| .71* | 25 | 12964 | - | - | - | - | - |
| 1 | 25 | 12936S | 32069 | 121159S | 321105 | 32870 | 32081B |
| 1-1/4 | 25 | 12937S | 32070 | 121160S | 321106 | 32871 | 32082B |
| 1-7/16 | 25 | 12938S | 32071 | 121161S | 321107 | 32872 | 32083B |
| 1-1/2 | 25 | 12939S | 32072 | 121162S | 321108 | 32873 | 32084B |
| .71* | 27 | 121125 | - | - | - | - | - |
| 1 | 27 | 121126S | - | 121163S | - | - | - |
| 1-1/4 | 27 | 121127S | - | 121164S | - | - | - |
| 1-7/16 | 27 | 121128S | - | 121165S | - | - | - |
| 1-1/2 | 27 | 121129S | - | 121166S | - | - | - |

*Plain bore pilot hole. Not sized to a shaft.

See all sprockets and idlers on pages 101-125

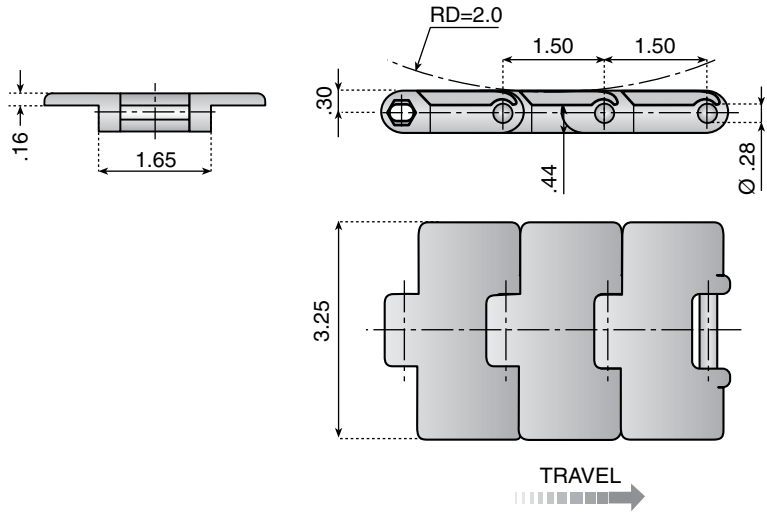
828

Straight Running Chains

- Very versatile
- Higher load capacity than standard series
- Can be used in combination with 880 series
- Improved product stability

Applications for the food and beverage industry include conveying lines for PET bottles and aluminium or steel cans. Lines packaging PET bottle packs in heat shrink film, paper board boxes, or cans in heat shrink film, can also be fitted with these chains. Pharmaceutical industry applications include all general purpose conveying.

Standard Length: 10ft.
Pitches: 80



Material: "LF Brown" Low friction acetal with 304 stainless steel pins.

| Chain Reference | Part Number | Breaking Load (lbs.) | L (width) | Weight (lbs. per ft.) |
|--------------------|--------------|----------------------|--------------|-----------------------|
| LF 828 K325 | 11130 | 1349 | 3-1/4 | .60 |

Material: "XPG Dark Grey" Very low friction acetal with 304 stainless steel pins.

| Chain Reference | Part Number | Breaking Load (lbs.) | L (width) | Weight (lbs. per ft.) |
|---------------------|---------------|----------------------|--------------|-----------------------|
| XPG 828 K325 | 11132G | 1259 | 3-1/4 | .60 |

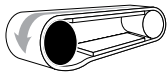
Material: "NG Green" Proprietary lowest friction PBT with 304 stainless steel pins.

| Chain Reference | Part Number | Breaking Load (lbs.) | L (width) | Weight (lbs. per ft.) |
|--------------------|--------------|----------------------|--------------|-----------------------|
| NG 828 K325 | 11134 | 1124 | 3-1/4 | .62 |

Special features of the 828 series:

- ✓ **Compatibility**
Same hinge width and plate thickness as 820 series chains.
Can be used adjacent to 820 and 880 chains.
- ✓ **Uses the same sprockets as 878, 879, 880 series chains**
- ✓ **High Load Capacity**
Rated higher than 820 series chains.
More freedom for conveyor design.
- ✓ **Improved Design**
Reduced gap between adjacent tracks.
Top plate and hinge surfaces improve product stability.

Straight Running Plastic Chains

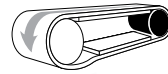


Drive Sprocket Options for 828 Chains



Machined Split

Molded Split



Idler Options for 828 Chains



Machined Split

Molded Split

Low-Friction Molded

Molded Split

| Shaft Sized Bore Dia. | Teeth or Equivalent | Machined Split Part Number | Molded Split Part Number | Machined Split Part Number | Molded Split Part Number | Low-Friction Molded Part Number | Molded Split Part Number |
|-----------------------|---------------------|----------------------------|--------------------------|----------------------------|--------------------------|---------------------------------|--------------------------|
| .71* | 9 | 12910 | - | - | - | - | - |
| 1 | 9 | 12382S | - | 121752S | - | - | - |
| 1-1/4 | 9 | 12383S | - | 121753S | - | - | - |
| 1-7/16 | 9 | 12384S | - | 121754S | - | - | - |
| 1-1/2 | 9 | 12385S | - | 121755S | - | - | - |
| .71* | 10 | 12911 | - | - | - | - | - |
| 1 | 10 | 12386S | 321001 | 121756S | 321005 | 32866 | 32077B |
| 1-1/4 | 10 | 12387S | 321002 | 121757S | 321006 | 32867 | 32078B |
| 1-7/16 | 10 | 12388S | 321003 | 121758S | 321007 | 32868 | 32079B |
| 1-1/2 | 10 | 12389S | 321004 | 121759S | 321008 | 32869 | 32080B |
| .71* | 11 | 12912 | - | - | - | - | - |
| 1 | 11 | 12390S | - | 121760S | - | - | - |
| 1-1/4 | 11 | 12391S | - | 121761S | - | - | - |
| 1-7/16 | 11 | 12392S | - | 121762S | - | - | - |
| 1-1/2 | 11 | 12393S | - | 121763S | - | - | - |
| .71* | 12 | 12913 | - | - | - | - | - |
| 1 | 12 | 12394S | 32400 | 121764S | 32403 | 32870 | 32081B |
| 1-1/4 | 12 | 12395S | 32711 | 121765S | 32404 | 32871 | 32082B |
| 1-7/16 | 12 | 12396S | 32401 | 121766S | 32405 | 32872 | 32083B |
| 1-1/2 | 12 | 12397S | 32402 | 121767S | 32406 | 32873 | 32084B |

*Plain bore pilot hole. Not sized to a shaft.

See all sprockets and idlers on pages 101-125

Straight Running Plastic Chains

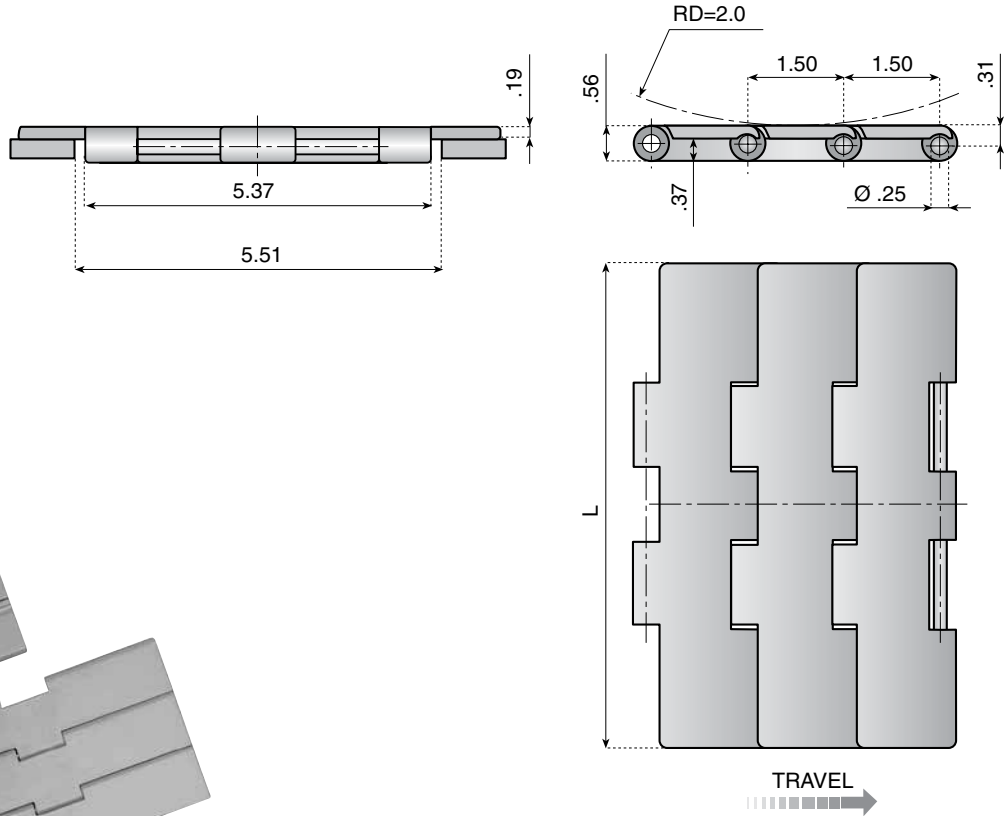
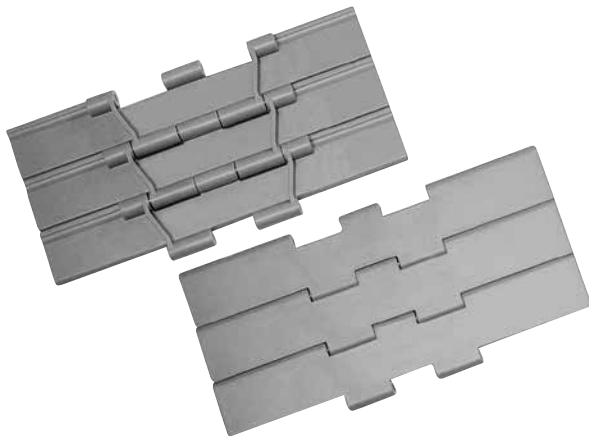
821

Straight Running Chains Double Hinge

With a double hinge and double reinforcing bars, these chains have a load capacity similar to single hinge stainless steel chains.

Low noise level, low coefficient of friction, and low horsepower requirements are the advantages of these chains. They provide a high working load in a dry running environment.

Standard Length: 10ft.
Pitches: 80



Material: "LF Brown" Low friction acetal with 304 stainless steel pins.

| Chain Reference | Part Number | Breaking Load (lbs.) | L (width) | Weight (lbs. per ft.) |
|---------------------|--------------|----------------------|--------------|-----------------------|
| LF 821 K750 | 11002 | 1866 | 7-1/2 | 1.74 |
| LF 821 K1000 | 11004 | 1866 | 10 | 2.08 |
| LF 821 K1200 | 11006 | 1866 | 12 | 2.25 |

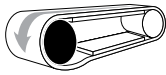
Material: "XPG Dark Grey" Very low friction acetal with 304 stainless steel pins.

| Chain Reference | Part Number | Breaking Load (lbs.) | L (width) | Weight (lbs. per ft.) |
|----------------------|---------------|----------------------|--------------|-----------------------|
| XPG 821 K750 | 11510G | 1821 | 7-1/2 | 1.74 |
| XPG 821 K1000 | 11511G | 1821 | 10 | 2.08 |
| XPG 821 K1200 | 11512G | 1821 | 12 | 2.25 |

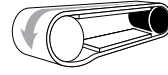
Material: "NG Green" Our proprietary lowest friction PBT with 304 stainless steel pins.

| Chain Reference | Part Number | Breaking Load (lbs.) | L (width) | Weight (lbs. per ft.) |
|---------------------|--------------|----------------------|--------------|-----------------------|
| NG 821 K750 | 11170 | 1753 | 7-1/2 | 1.74 |
| NG 821 K1000 | 11171 | 1753 | 10 | 2.08 |
| NG 821 K1200 | 11172 | 1753 | 12 | 2.25 |

Straight Running Plastic Chains



Drive Sprocket Options for 821 Chains



Idler Options for 821 Chains



Machined Split

Molded



Machined Split

Molded

| Shaft Sized Bore Dia. | Teeth or Equivalent | Part Number | | Part Number | |
|-----------------------|---------------------|-------------|--------|-------------|--------|
| .71* | 21 | 12901 | - | - | - |
| 1 | 21 | 12284S | - | 121329S | - |
| 1-1/4 | 21 | 12285S | - | 121330S | - |
| 1-7/16 | 21 | 12286S | - | 121331S | - |
| 1-1/2 | 21 | 12287S | - | 121332S | - |
| .71* | 23 | 12902 | - | - | - |
| 1 | 23 | 12288S | - | 121333S | - |
| 1-1/4 | 23 | 12289S | - | 121334S | - |
| 1-7/16 | 23 | 12290S | - | 121335S | - |
| 1-1/2 | 23 | 12291S | - | 121336S | - |
| .71* | 25 | 12903 | - | - | - |
| 1 | 25 | 12292S | 32085 | 121337S | 32089 |
| 1-1/4 | 25 | 12293S | 32086 | 121338S | 32090 |
| 1-7/16 | 25 | 12294S | 32086S | 121339S | 32090S |
| 1-1/2 | 25 | 12295S | 32087 | 121340S | 32091 |
| .71* | 27 | 121307 | - | - | - |
| 1 | 27 | 121308S | - | 121341S | - |
| 1-1/4 | 27 | 121309S | - | 121342S | - |
| 1-7/16 | 27 | 121310S | - | 121343S | - |
| 1-1/2 | 27 | 121311S | - | 121344S | - |

*Plain bore pilot hole. Not sized to a shaft.

See all sprockets and idlers on pages 101-125

Side Flexing Plastic Chains

878 TAB

Side Flexing Chains, Tab Guides

The new 878 TAB series enables the designer and the manufacturer of conveyors to reduce the average radius in turns. This unique chain solves conveying problems in confined spaces. It can also be used where products are conveyed on an incline or decline.

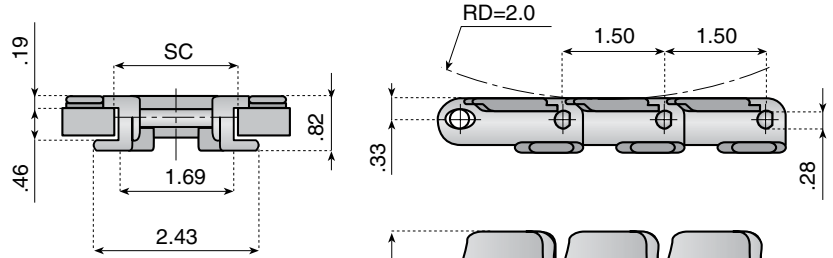
Other advantages include:

- Small sideflexing radius of 7-7/8 inches.
- Specially shaped flites with a radius on the edges designed to improve product transfer.
- Preferred usage with turn discs.

Applications for the food and beverage industry include conveying lines for PET bottles and aluminium or steel cans. Lines packaging PET bottle packs in heat shrink film, paper board boxes, or cans in heat shrink film, can also be fitted with these chains. Pharmaceutical industry applications include all general purpose conveying.

Standard Length: 10ft.

Pitches: 80



**7 7/8 inch
side flexing radius!**



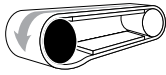
Material: "LF Brown" Low friction acetal with 304 stainless steel pins.

| Chain Reference | Part Number | Breaking Load (lbs.) | L (width) | R Min. | SC | Weight (lbs. per ft.) |
|------------------------|--------------|----------------------|--------------|-------------|-------------|-----------------------|
| LF 878 TAB K325 | 11390 | 1349 | 3-1/4 | 7.87 | 1.77 | .73 |
| LF 878 TAB K450 | 11389 | 1349 | 4-1/2 | 7.87 | 1.77 | .81 |

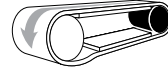
Material: "XPG Dark Grey" Very low friction acetal with 304 stainless steel pins.

| Chain Reference | Part Number | Breaking Load (lbs.) | L (width) | R Min. | SC | Weight (lbs. per ft.) |
|-------------------------|---------------|----------------------|--------------|-------------|-------------|-----------------------|
| XPG 878 TAB K325 | 11420G | 1281 | 3-1/4 | 7.87 | 1.77 | .73 |

Side Flexing Plastic Chains



Drive Sprocket Options for 878 TAB Chains



Idler Options for 878 TAB Chains



Machined Split

Molded Split

Machined Split

Molded Split

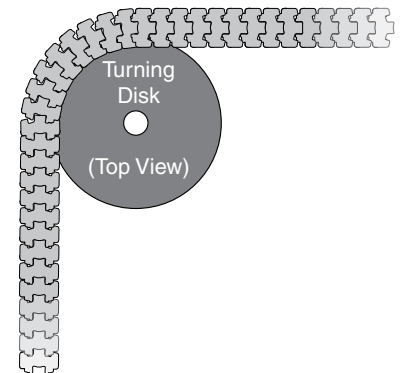
| Shaft Sized Bore Dia. | Teeth or Equivalent | Part Number | Part Number | Part Number | Part Number |
|-----------------------|---------------------|-------------|-------------|-------------|-------------|
| .71* | 9 | 12910 | - | - | - |
| 1 | 9 | 12382S | - | 121752S | - |
| 1-1/4 | 9 | 12383S | - | 121753S | - |
| 1-7/16 | 9 | 12384S | - | 121754S | - |
| 1-1/2 | 9 | 12385S | - | 121755S | - |
| .71* | 10 | 12911 | - | - | - |
| 1 | 10 | 12386S | 321001 | 121756S | 321005 |
| 1-1/4 | 10 | 12387S | 321002 | 121757S | 321006 |
| 1-7/16 | 10 | 12388S | 321003 | 121758S | 321007 |
| 1-1/2 | 10 | 12389S | 321004 | 121759S | 321008 |
| .71* | 11 | 12912 | - | - | - |
| 1 | 11 | 12390S | - | 121760S | - |
| 1-1/4 | 11 | 12391S | - | 121761S | - |
| 1-7/16 | 11 | 12392S | - | 121762S | - |
| 1-1/2 | 11 | 12393S | - | 121763S | - |
| .71* | 12 | 12913 | - | - | - |
| 1 | 12 | 12394S | 32400 | 121764S | 32403 |
| 1-1/4 | 12 | 12395S | 32711 | 121765S | 32404 |
| 1-7/16 | 12 | 12396S | 32401 | 121766S | 32405 |
| 1-1/2 | 12 | 12397S | 32402 | 121767S | 32406 |

*Plain bore pilot hole. Not sized to a shaft.

See all sprockets and idlers on pages 101-125

Improved Turning Disk Designs!

These chains can also use horizontal disks, ideal for numerous curves or alpine applications. See page 126 for complete details.



Side Flexing Plastic Chains

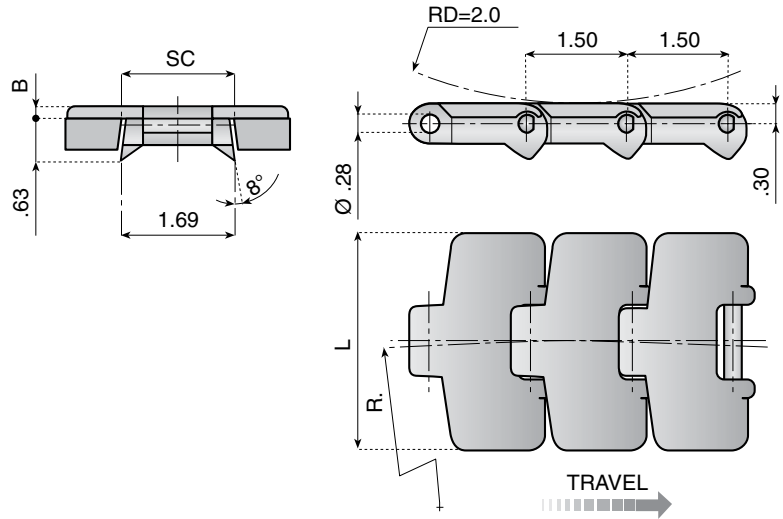
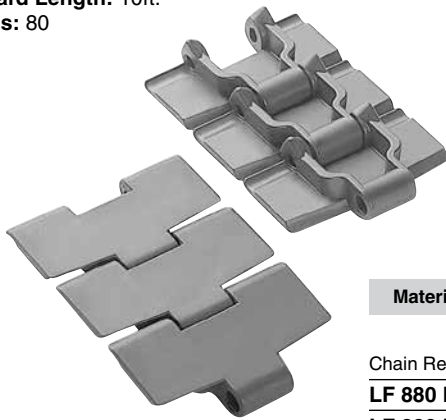
879, 880

Side Flexing Chains, Bevel Guide

Applications for the food and beverage industry include conveying lines for PET bottles and aluminium or steel cans. Lines packaging PET bottle packs in heat shrink film, paper board boxes, or cans in heat shrink film, can also be fitted with these chains. Pharmaceutical industry applications include all general purpose conveying.

The added thickness (3/16 in.) of the 879 series top plate adds 20% more wear life, and simplifies conveyor design when matching with chain series: 821, 831, 878, 879, and 882.

Standard Length: 10ft.
Pitches: 80



Material: "LF Brown" Low friction acetal with 304 stainless steel pins.

| Chain Reference | Part Number | Breaking Load (lbs.) | L (width) | B (thickness) | R Min. | SC Straight | SC Curved | Weight (lbs. per ft.) |
|--------------------|--------------|----------------------|--------------|---------------|-----------|-------------|-------------|-----------------------|
| LF 880 K325 | 11383 | 1349 | 3-1/4 | .16 | 18 | 1.75 | 1.63 | .60 |
| LF 880 K450 | 11386 | 1349 | 4-1/2 | .16 | 18 | 1.75 | 1.63 | .70 |
| LF 879 K325 | 11506 | 1349 | 3-1/4 | .19 | 18 | 1.75 | 1.63 | .62 |
| LF 879 K450 | 11507 | 1349 | 4-1/2 | .19 | 18 | 1.75 | 1.63 | .74 |

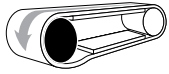
Material: "XPG Dark Grey" Very low friction acetal with 304 stainless steel pins.

| Chain Reference | Part Number | Breaking Load (lbs.) | L (width) | B (thickness) | R Min. | SC Straight | SC Curved | Weight (lbs. per ft.) |
|---------------------|---------------|----------------------|--------------|---------------|-----------|-------------|-------------|-----------------------|
| XPG 880 K325 | 11502G | 1281 | 3-1/4 | .16 | 18 | 1.75 | 1.63 | .60 |
| XPG 880 K450 | 11503G | 1281 | 4-1/2 | .16 | 18 | 1.75 | 1.63 | .70 |
| XPG 879 K325 | 11508G | 1281 | 3-1/4 | .19 | 18 | 1.75 | 1.63 | .62 |
| XPG 879 K450 | 11509G | 1281 | 4-1/2 | .19 | 18 | 1.75 | 1.63 | .74 |

Material: "NG Green" Our proprietary lowest friction PBT with 304 stainless steel pins.

| Chain Reference | Part Number | Breaking Load (lbs.) | L (width) | B (thickness) | R Min. | SC Straight | SC Curved | Weight (lbs. per ft.) |
|--------------------|--------------|----------------------|--------------|---------------|-----------|-------------|-------------|-----------------------|
| NG 880 K325 | 11187 | 1124 | 3-1/4 | .16 | 18 | 1.75 | 1.63 | .60 |
| NG 880 K450 | 11185 | 1124 | 4-1/2 | .16 | 18 | 1.75 | 1.63 | .70 |
| NG 879 K325 | 11193 | 1124 | 3-1/4 | .19 | 18 | 1.75 | 1.63 | .62 |
| NG 879 K450 | 11194 | 1124 | 4-1/2 | .19 | 18 | 1.75 | 1.63 | .74 |

Side Flexing Plastic Chains



Drive Sprocket Options for 879, 880 Chains

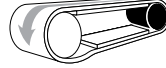


Machined Split

Molded Split

| Shaft Sized Bore Dia. | Teeth or Equivalent | Part Number | Part Number |
|-----------------------|---------------------|-------------|-------------|
| .71* | 9 | 12910 | - |
| 1 | 9 | 12382S | - |
| 1-1/4 | 9 | 12383S | - |
| 1-7/16 | 9 | 12384S | - |
| 1-1/2 | 9 | 12385S | - |
| .71* | 10 | 12911 | - |
| 1 | 10 | 12386S | 321001 |
| 1-1/4 | 10 | 12387S | 321002 |
| 1-7/16 | 10 | 12388S | 321003 |
| 1-1/2 | 10 | 12389S | 321004 |
| .71* | 11 | 12912 | - |
| 1 | 11 | 12390S | - |
| 1-1/4 | 11 | 12391S | - |
| 1-7/16 | 11 | 12392S | - |
| 1-1/2 | 11 | 12393S | - |
| .71* | 12 | 12913 | - |
| 1 | 12 | 12394S | 32400 |
| 1-1/4 | 12 | 12395S | 32711 |
| 1-7/16 | 12 | 12396S | 32401 |
| 1-1/2 | 12 | 12397S | 32402 |

*Plain bore pilot hole. Not sized to a shaft.



Idler Options for 879, 880 Chains



Machined Split

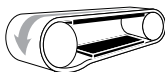
Molded Split

Low-Friction Molded

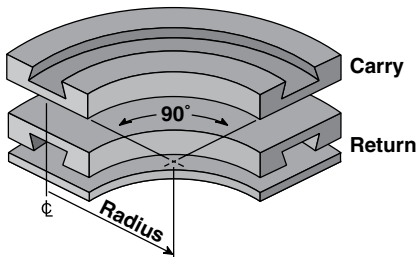
Molded Split

| Part Number | Part Number | Part Number | Part Number |
|-------------|-------------|-------------|-------------|
| - | - | - | - |
| 121752S | - | - | - |
| 121753S | - | - | - |
| 121754S | - | - | - |
| 121755S | - | - | - |
| 121756S | 321005 | 32866 | 32077B |
| 121757S | 321006 | 32867 | 32078B |
| 121758S | 321007 | 32868 | 32079B |
| 121759S | 321008 | 32869 | 32080B |
| - | - | - | - |
| 121760S | - | - | - |
| 121761S | - | - | - |
| 121762S | - | - | - |
| 121763S | - | - | - |
| - | - | - | - |
| 121764S | 32403 | 32870 | 32081B |
| 121765S | 32404 | 32871 | 32082B |
| 121766S | 32405 | 32872 | 32083B |
| 121767S | 32406 | 32873 | 32084B |

See all sprockets and idlers on pages 101-125

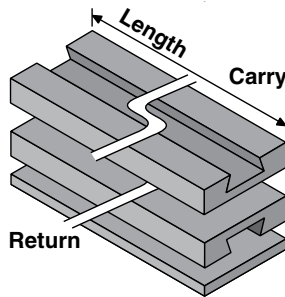


Track Options for 879, 880 Chains



Corner Track

| Part Number | Track Width | Carry or Return | Radius (inches) |
|------------------|-------------|-----------------|-----------------|
| VT-980-B-18-0325 | 3.75 | Carry | 18 |
| VT-980-B-24-0325 | 3.75 | Carry | 24 |
| VT-980-R-18-0325 | 3.75 | Return | 18 |
| VT-980-R-24-0325 | 3.75 | Return | 24 |
| VT-980-B-24-0450 | 5.0 | Carry | 24 |
| VT-980-R-24-0450 | 5.0 | Return | 24 |



Straight Track

| Part Number | Track Width | Carry or Return | Length (feet) |
|--------------------|-------------|-----------------|---------------|
| VT-980-B-S-0325-3 | 3.75 | Carry | 3 |
| VT-980-B-S-0325-6 | 3.75 | Carry | 6 |
| VT-980-B-S-0325-10 | 3.75 | Carry | 10 |
| VT-980-R-S-0325-3 | 3.75 | Return | 3 |
| VT-980-R-S-0325-6 | 3.75 | Return | 6 |
| VT-980-R-S-0325-10 | 3.75 | Return | 10 |
| VT-980-B-S-0450-3 | 5.0 | Carry | 3 |
| VT-980-B-S-0450-6 | 5.0 | Carry | 6 |
| VT-980-B-S-0450-10 | 5.0 | Carry | 10 |
| VT-980-R-S-0450-10 | 5.0 | Return | 1 |

See all ValuTrac modules on pages 130-145

Side Flexing Plastic Chains

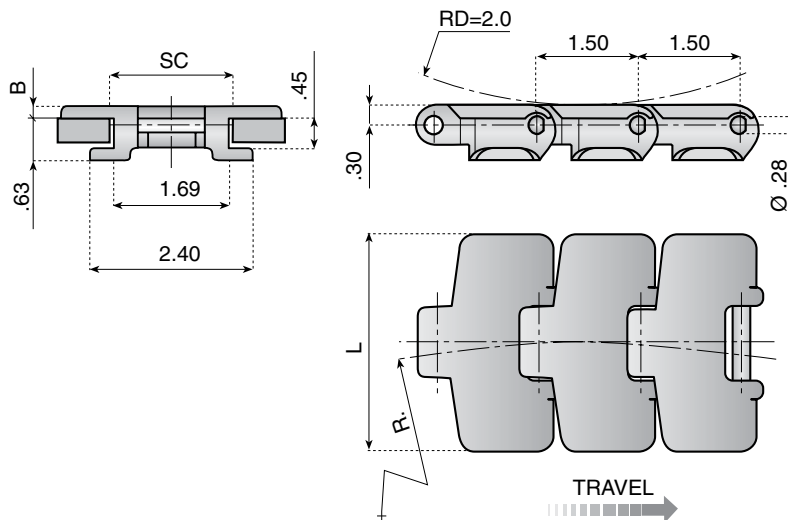
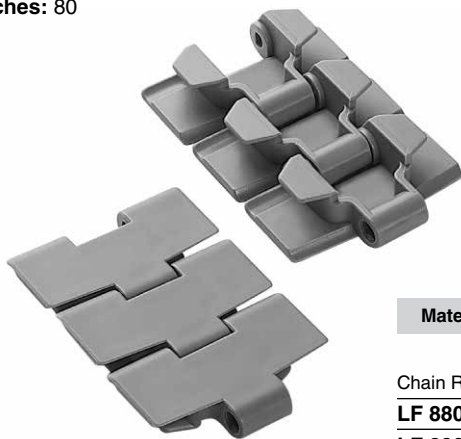
879 TAB, 880 TAB

Side Flexing Chains, TAB Guides

Applications for the food and beverage industry include conveying lines for PET bottles and aluminium or steel cans. Lines packaging PET bottle packs in heat shrink film, paper board boxes, or cans in heat shrink film, can also be fitted with these chains. Pharmaceutical industry applications include all general purpose conveying.

The added thickness (3/16 in.) of the 879 TAB series top plate adds 20% more wear life, and simplifies conveyor design when matching with chain series: 821, 831, 878, 879, and 882.

Standard Length: 10ft.
Pitches: 80



Material: "LF Brown" Low friction acetal with 304 stainless steel pins.

| Chain Reference | Part Number | Breaking Load (lbs.) | L (width) | B (thickness) | R Min. | SC Straight | SC Curved | Weight (lbs. per ft.) |
|------------------------|----------------|----------------------|--------------|---------------|-----------|-------------|-------------|-----------------------|
| LF 880 TAB K325 | 11377 | 1349 | 3-1/4 | .16 | 18 | 1.81 | 1.77 | .63 |
| LF 880 TAB K450 | 11380 | 1349 | 4-1/2 | .16 | 18 | 1.81 | 1.77 | .72 |
| LF 879 TAB K325 | 11377ST | 1349 | 3-1/4 | .19 | 18 | 1.81 | 1.77 | .66 |
| LF 879 TAB K450 | 11380ST | 1349 | 4-1/2 | .19 | 18 | 1.81 | 1.77 | .76 |

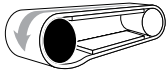
Material: "XPG Dark Grey" Very low friction acetal with 304 stainless steel pins.

| Chain Reference | Part Number | Breaking Load (lbs.) | L (width) | B (thickness) | R Min. | SC Straight | SC Curved | Weight (lbs. per ft.) |
|-------------------------|---------------|----------------------|--------------|---------------|-----------|-------------|-------------|-----------------------|
| XPG 880 TAB K325 | 11500G | 1281 | 3-1/4 | .16 | 18 | 1.81 | 1.77 | .63 |
| XPG 880 TAB K450 | 11501G | 1281 | 4-1/2 | .16 | 18 | 1.81 | 1.77 | .72 |
| XPG 879 TAB K325 | 11504G | 1281 | 3-1/4 | .19 | 18 | 1.81 | 1.77 | .66 |
| XPG 879 TAB K450 | 11505G | 1281 | 4-1/2 | .19 | 18 | 1.81 | 1.77 | .76 |

Material: "NG Green" Our proprietary lowest friction PBT with 304 stainless steel pins.

| Chain Reference | Part Number | Breaking Load (lbs.) | L (width) | B (thickness) | R Min. | SC Straight | SC Curved | Weight (lbs. per ft.) |
|------------------------|--------------|----------------------|--------------|---------------|-----------|-------------|-------------|-----------------------|
| NG 880 TAB K325 | 11195 | 1124 | 3-1/4 | .16 | 18 | 1.81 | 1.77 | .63 |
| NG 880 TAB K450 | 11197 | 1124 | 4-1/2 | .16 | 18 | 1.81 | 1.77 | .72 |
| NG 879 TAB K325 | 11198 | 1124 | 3-1/4 | .19 | 18 | 1.81 | 1.77 | .66 |
| NG 879 TAB K450 | 11199 | 1124 | 4-1/2 | .19 | 18 | 1.81 | 1.77 | .76 |

Side Flexing Plastic Chains



Drive Sprocket Options for 879, 880 TAB Chains



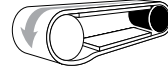
Machined Split



Molded Split

| Shaft Sized Bore Dia. | Teeth or Equivalent | Part Number | Part Number |
|-----------------------|---------------------|-------------|-------------|
| .71* | 9 | 12910 | - |
| 1 | 9 | 12382S | - |
| 1-1/4 | 9 | 12383S | - |
| 1-7/16 | 9 | 12384S | - |
| 1-1/2 | 9 | 12385S | - |
| .71* | 10 | 12911 | - |
| 1 | 10 | 12386S | 321001 |
| 1-1/4 | 10 | 12387S | 321002 |
| 1-7/16 | 10 | 12388S | 321003 |
| 1-1/2 | 10 | 12389S | 321004 |
| .71* | 11 | 12912 | - |
| 1 | 11 | 12390S | - |
| 1-1/4 | 11 | 12391S | - |
| 1-7/16 | 11 | 12392S | - |
| 1-1/2 | 11 | 12393S | - |
| .71* | 12 | 12913 | - |
| 1 | 12 | 12394S | 32400 |
| 1-1/4 | 12 | 12395S | 32711 |
| 1-7/16 | 12 | 12396S | 32401 |
| 1-1/2 | 12 | 12397S | 32402 |

*Plain bore pilot hole. Not sized to a shaft.



Idler Options for 879, 880 TAB Chains



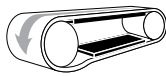
Machined Split



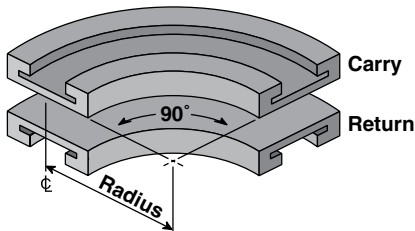
Molded Split

| Part Number | Part Number |
|-------------|-------------|
| - | - |
| 121752S | - |
| 121753S | - |
| 121754S | - |
| 121755S | - |
| - | - |
| 121756S | 321005 |
| 121757S | 321006 |
| 121758S | 321007 |
| 121759S | 321008 |
| - | - |
| 121760S | - |
| 121761S | - |
| 121762S | - |
| 121763S | - |
| - | - |
| 121764S | 32403 |
| 121765S | 32404 |
| 121766S | 32405 |
| 121767S | 32406 |

See all sprockets and idlers on pages 101-125



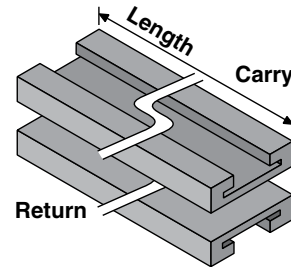
Track Options for 879, 880 TAB Chains



Corner Track

| Part Number | Track Width | Radius (inches) |
|------------------|-------------|-----------------|
| VT-980-T-18-0325 | 3.75 | 18 |
| VT-980-T-24-0325 | 3.75 | 24 |
| VT-980-T-24-0450 | 5.0 | 24 |

See all ValuTrac modules on pages 130-145



Straight Track

| Part Number | Track Width | Length (feet) |
|--------------------|-------------|---------------|
| VT-980-T-S-0325-3 | 3.75 | 3 |
| VT-980-T-S-0325-6 | 3.75 | 6 |
| VT-980-T-S-0325-10 | 3.75 | 10 |
| VT-980-T-S-0450-3 | 5.0 | 3 |
| VT-980-T-S-0450-6 | 5.0 | 6 |
| VT-980-T-S-0450-10 | 5.0 | 10 |

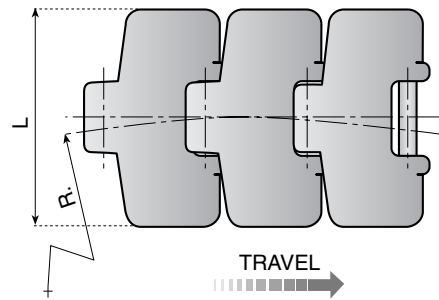
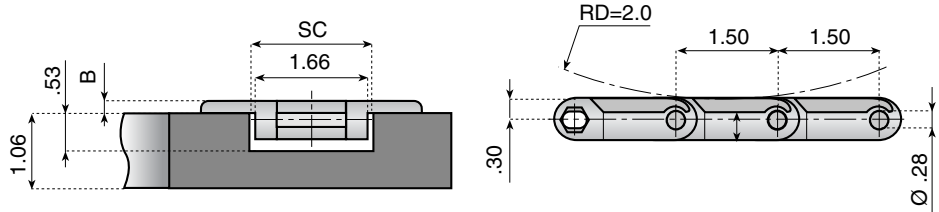
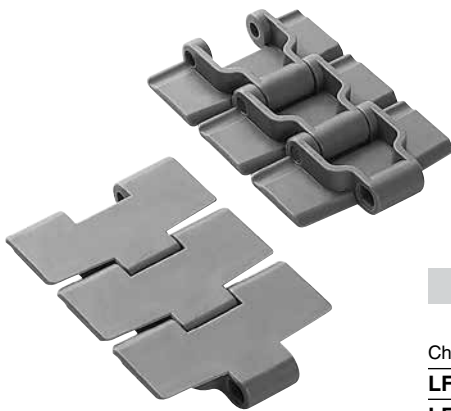
879 M, 880 M

Magnetic Side Flexing Chains

These chains are securely retained in the curve by magnets embedded in the chain track material. There are no tabs or bevels, so they can be easily removed for maintenance or cleaning, without dismantling the chain.

The added thickness (3/16 in.) of the 879 M series top plate adds 20% more wear life, and simplifies conveyor design when matching with chain series: 821, 831, 879, 879 TAB, and 882.

Standard Length: 10ft.
Pitches: 80



See page 146 for more information.

Material: "LF Brown" Low friction acetal with ferritic stainless steel pins.

| Chain Reference | Part Number | Breaking Load (lbs.) | L (width) | B (thickness) | R Min. | SC | Weight (lbs. per ft.) |
|-----------------|-------------|----------------------|-----------|---------------|--------|------|-----------------------|
| LF 880 M K325 | 11377M | 1283 | 3-1/4 | .16 | 18 | 1.77 | .71 |
| LF 880 M K450 | 11380M | 1283 | 4-1/2 | .16 | 20 | 1.77 | .77 |
| LF 879 M K325 | 11395M | 1283 | 3-1/4 | .19 | 18 | 1.77 | .77 |
| LF 879 M K450 | 11396M | 1283 | 4-1/2 | .19 | 20 | 1.77 | .84 |

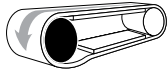
Material: "XPG Dark Grey" Very low friction acetal with ferritic stainless steel pins.

| Chain Reference | Part Number | Breaking Load (lbs.) | L (width) | B (thickness) | R Min. | SC | Weight (lbs. per ft.) |
|-----------------|-------------|----------------------|-----------|---------------|--------|------|-----------------------|
| XPG 880 M K325 | 11500MG | 1239 | 3-1/4 | .16 | 18 | 1.77 | .71 |
| XPG 880 M K450 | 11501MG | 1239 | 4-1/2 | .16 | 20 | 1.77 | .77 |
| XPG 879 M K325 | 11397MG | 1239 | 3-1/4 | .19 | 18 | 1.77 | .77 |
| XPG 879 M K450 | 11398MG | 1239 | 4-1/2 | .19 | 20 | 1.77 | .84 |

Material: "NG Green" Our proprietary lowest friction PBT with ferritic stainless steel pins.

| Chain Reference | Part Number | Breaking Load (lbs.) | L (width) | B (thickness) | R Min. | SC | Weight (lbs. per ft.) |
|-----------------|-------------|----------------------|-----------|---------------|--------|------|-----------------------|
| NG 880 M K325 | 11195M | 1170 | 3-1/4 | .16 | 18 | 1.77 | .71 |
| NG 880 M K450 | 11197M | 1170 | 4-1/2 | .16 | 20 | 1.77 | .77 |
| NG 879 M K325 | 11198M | 1170 | 3-1/4 | .19 | 18 | 1.77 | .77 |
| NG 879 M K450 | 11421M | 1170 | 4-1/2 | .19 | 20 | 1.77 | .84 |

Magnetic Side Flexing Plastic Chains



Drive Sprocket Options for 879 M, 880 M Chains

See all sprockets and idlers on pages 101-125

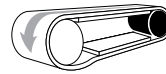


Machined Split



Molded Split

| Shaft Sized Bore Dia. | Teeth or Equivalent | Part Number | Part Number |
|-----------------------|---------------------|-------------|-------------|
| .71* | 9 | 12910 | - |
| 1 | 9 | 12382S | - |
| 1-1/4 | 9 | 12383S | - |
| 1-7/16 | 9 | 12384S | - |
| 1-1/2 | 9 | 12385S | - |
| .71* | 10 | 12911 | - |
| 1 | 10 | 12386S | 321001 |
| 1-1/4 | 10 | 12387S | 321002 |
| 1-7/16 | 10 | 12388S | 321003 |
| 1-1/2 | 10 | 12389S | 321004 |
| .71* | 11 | 12912 | - |
| 1 | 11 | 12390S | - |
| 1-1/4 | 11 | 12391S | - |
| 1-7/16 | 11 | 12392S | - |
| 1-1/2 | 11 | 12393S | - |
| .71* | 12 | 12913 | - |
| 1 | 12 | 12394S | 32400 |
| 1-1/4 | 12 | 12395S | 32711 |
| 1-7/16 | 12 | 12396S | 32401 |
| 1-1/2 | 12 | 12397S | 32402 |



Idler Options for 879 M, 880 M Chains



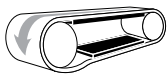
Machined Split



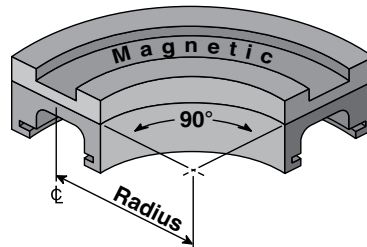
Molded Split

| Part Number | Part Number |
|-------------|-------------|
| - | - |
| 121752S | - |
| 121753S | - |
| 121754S | - |
| 121755S | - |
| - | - |
| 121756S | 321005 |
| 121757S | 321006 |
| 121758S | 321007 |
| 121759S | 321008 |
| - | - |
| 121760S | - |
| 121761S | - |
| 121762S | - |
| 121763S | - |
| - | - |
| 121764S | 32403 |
| 121765S | 32404 |
| 121766S | 32405 |
| 121767S | 32406 |

*Plain bore pilot hole. Not sized to a shaft.



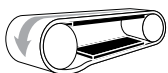
Track Options for 879 M, 880 M Chains K325



See all Magnetic Corner Tracks on pages 146-153

| Number of Tracks | Total Width mm | Total Width inches | 15° | 30° | 45° | 60° | 75° | 90° |
|------------------|----------------|--------------------|----------------|----------------|----------------|----------------|----------------|----------------|
| 1 | 100 | 3.94 | KMD.14.15.01.A | KMD.14.30.01.A | KMD.14.45.01.A | KMD.14.60.01.A | KMD.14.75.01.A | KMD.14.90.01.A |
| 2 | 185 | 7.28 | KMD.14.15.02.A | KMD.14.30.02.A | KMD.14.45.02.A | KMD.14.60.02.A | KMD.14.75.02.A | KMD.14.90.02.A |
| 3 | 270 | 10.63 | KMD.14.15.03.A | KMD.14.30.03.A | KMD.14.45.03.A | KMD.14.60.03.A | KMD.14.75.03.A | KMD.14.90.03.A |
| 4 | 355 | 13.98 | KMD.14.15.04.A | KMD.14.30.04.A | KMD.14.45.04.A | KMD.14.60.04.A | KMD.14.75.04.A | KMD.14.90.04.A |

For additional number of tracks in a magnetic curve, see the chain track catalog section.



Track Options for 879 M, 880 M Chains K450 Series

| Number of Tracks | Total Width mm | Total Width inches | 15° | 30° | 45° | 60° | 75° | 90° |
|------------------|----------------|--------------------|----------------|----------------|----------------|----------------|----------------|----------------|
| 1 | 129 | 5.08 | KMD.23.15.01.A | KMD.23.30.01.A | KMD.23.45.01.A | KMD.23.60.01.A | KMD.23.75.01.A | KMD.23.90.01.A |
| 2 | 246 | 9.69 | KMD.23.15.02.A | KMD.23.30.02.A | KMD.23.45.02.A | KMD.23.60.02.A | KMD.23.75.02.A | KMD.23.90.02.A |
| 3 | 363 | 14.29 | KMD.23.15.03.A | KMD.23.30.03.A | KMD.23.45.03.A | KMD.23.60.03.A | KMD.23.75.03.A | KMD.23.90.03.A |
| 4 | 480 | 18.90 | KMD.23.15.04.A | KMD.23.30.04.A | KMD.23.45.04.A | KMD.23.60.04.A | KMD.23.75.04.A | KMD.23.90.04.A |

For additional number of tracks in a magnetic curve, see the chain track catalog section.

Side Flexing Plastic Chains

882

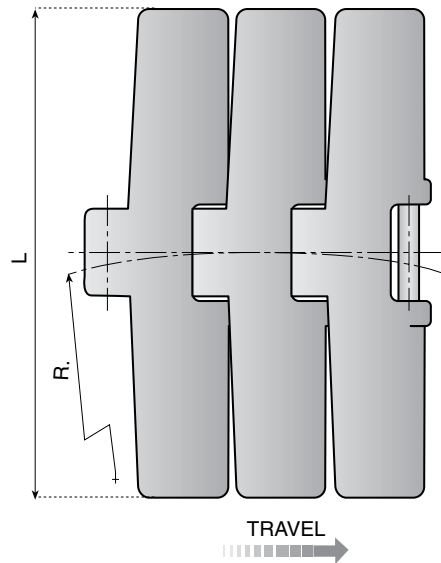
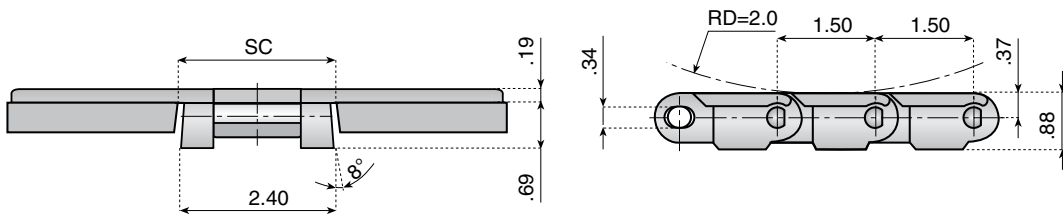
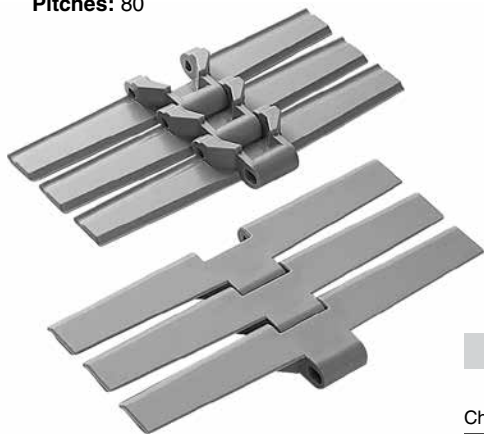
Side Flexing Chains, Bevel Guides

- Heavy duty
- Large, flat surface
- Low coefficient of friction

Due to a larger hinge and pin size, plus a well balanced distribution of materials, the 882 bevel chain has excellent load carrying capacity, comparable with that of the 821 chain's double hinge design.

The standard widths include 10 inch sizes, making it compatible with the 821 series.

Standard Length: 10ft.
Pitches: 80



Material: "LF Brown" Low friction acetal with 304 stainless steel pins.

| Chain Reference | Part Number | Breaking Load (lbs.) | L (width) | R Min. | SC Straight | SC Curved | Weight (lbs. per ft.) |
|---------------------|--------------|----------------------|--------------|-----------|-------------|-------------|-----------------------|
| LF 882 K450 | 11459 | 2248 | 4-1/2 | 24 | 2.44 | 2.28 | 1.30 |
| LF 882 K750 | 11460 | 2248 | 7-1/2 | 24 | 2.44 | 2.28 | 1.60 |
| LF 882 K1000 | 11461 | 2248 | 10 | 24 | 2.44 | 2.28 | 1.90 |

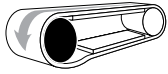
Material: "XPG Dark Grey" Very low friction acetal with 304 stainless steel pins.

| Chain Reference | Part Number | Breaking Load (lbs.) | L (width) | R Min. | SC Straight | SC Curved | Weight (lbs. per ft.) |
|----------------------|---------------|----------------------|--------------|-----------|-------------|-------------|-----------------------|
| XPG 882 K450 | 11462G | 2136 | 4-1/2 | 24 | 2.44 | 2.28 | 1.30 |
| XPG 882 K750 | 11463G | 2136 | 7-1/2 | 24 | 2.44 | 2.28 | 1.60 |
| XPG 882 K1000 | 11464G | 2136 | 10 | 24 | 2.44 | 2.28 | 1.90 |

Material: "NG Green" Our proprietary lowest friction PBT with 304 stainless steel pins.

| Chain Reference | Part Number | Breaking Load (lbs.) | L (width) | R Min. | SC Straight | SC Curved | Weight (lbs. per ft.) |
|---------------------|--------------|----------------------|--------------|-----------|-------------|-------------|-----------------------|
| NG 882 K450 | 11480 | 2023 | 4-1/2 | 24 | 2.44 | 2.28 | 1.30 |
| NG 882 K750 | 11481 | 2023 | 7-1/2 | 24 | 2.44 | 2.28 | 1.60 |
| NG 882 K1000 | 11482 | 2023 | 10 | 24 | 2.44 | 2.28 | 1.90 |

Side Flexing Plastic Chains



Drive Sprocket Options for 882 Chains



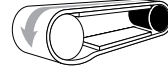
Machined Split



Molded Split

| Shaft Sized Bore Dia. | Teeth or Equivalent | Part Number | Part Number |
|-----------------------|---------------------|-------------|-------------|
| .71* | 9 | 12914 | - |
| 1 | 9 | 12346S | - |
| 1-1/4 | 9 | 12347S | - |
| 1-7/16 | 9 | 12347SK | - |
| 1-1/2 | 9 | 12348S | - |
| <hr/> | | | |
| .71* | 10 | 12915 | - |
| 1 | 10 | 12349S | 321009 |
| 1-1/4 | 10 | 12350S | 321010 |
| 1-7/16 | 10 | 12350SK | 321011 |
| 1-1/2 | 10 | 12351S | 321012 |
| <hr/> | | | |
| .71* | 11 | 12916 | - |
| 1 | 11 | 12352S | - |
| 1-1/4 | 11 | 12353S | - |
| 1-7/16 | 11 | 12353SK | - |
| 1-1/2 | 11 | 12354S | - |
| <hr/> | | | |
| .71* | 12 | 12917 | - |
| 1 | 12 | 12355S | 32114 |
| 1-1/4 | 12 | 12356S | 32115 |
| 1-7/16 | 12 | 12356SK | 32116 |
| 1-1/2 | 12 | 12357S | 32117 |

*Plain bore pilot hole. Not sized to a shaft.



Idler Options for 882 Chains



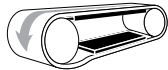
Machined Split



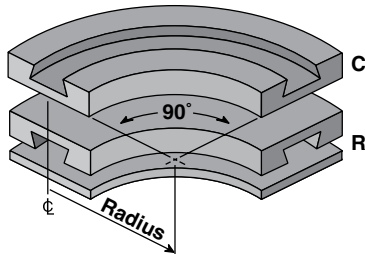
Molded Split

| Part Number | Part Number |
|-------------|-------------|
| - | - |
| 121768S | - |
| 121769S | - |
| 121769SK | - |
| 121770S | - |
| <hr/> | |
| - | - |
| 121771S | 321013 |
| 121772S | 321014 |
| 121772SK | 321015 |
| 121773S | 321016 |
| <hr/> | |
| - | - |
| 121774S | - |
| 121775S | - |
| 121775SK | - |
| 121776S | - |
| <hr/> | |
| - | - |
| 121777S | 32119 |
| 121778S | 32120 |
| 121778SK | 32121 |
| 121779S | 32122 |

See all sprockets and idlers on pages 101-125

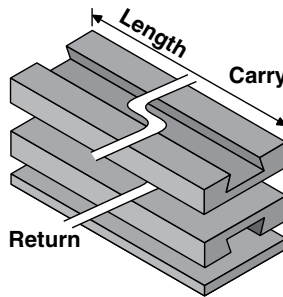


Track Options for 882 Chains



Corner Track

| Part Number | Track Width | Carry or Return | Radius (inches) |
|------------------|-------------|-----------------|-----------------|
| VT-982-B-24-0450 | 5.0 | Carry | 24 |
| VT-982-R-24-0450 | 5.0 | Return | 24 |
| VT-982-B-24-0750 | 8.0 | Carry | 24 |
| VT-982-R-24-0750 | 8.0 | Return | 24 |
| VT-982-B-24-1000 | 10.5 | Carry | 24 |



Straight Track

| Part Number | Track Width | Carry or Return | Length (feet) |
|--------------------|-------------|-----------------|---------------|
| VT-982-B-S-0450-3 | 5.0 | Carry | 3 |
| VT-982-B-S-0450-6 | 5.0 | Carry | 6 |
| VT-982-B-S-0450-10 | 5.0 | Carry | 10 |
| VT-982-B-S-0750-6 | 8.0 | Carry | 6 |
| VT-982-B-S-0750-10 | 8.0 | Carry | 10 |
| VT-982-B-S-1000-3 | 10.5 | Carry | 3 |
| VT-982-B-S-1000-6 | 10.5 | Carry | 6 |
| VT-982-B-S-1000-10 | 10.5 | Carry | 10 |
| VT-982-R-S-1000-10 | 10.5 | Return | 10 |

See all ValuTrac modules on pages 130-145

Side Flexing Plastic Chains

882 TAB

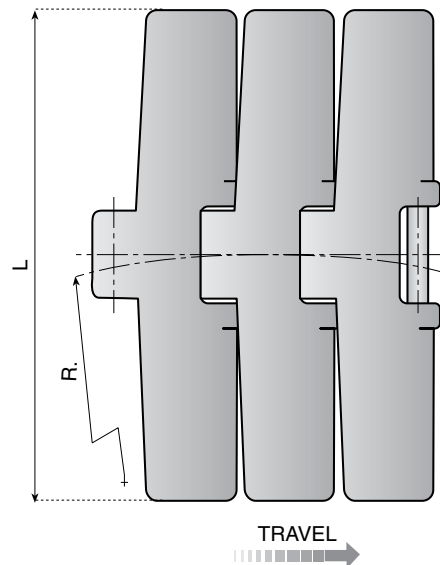
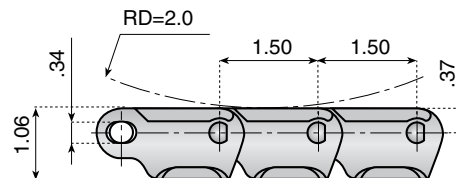
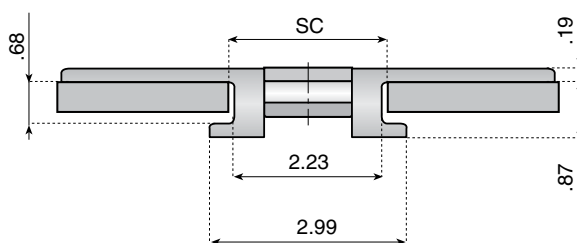
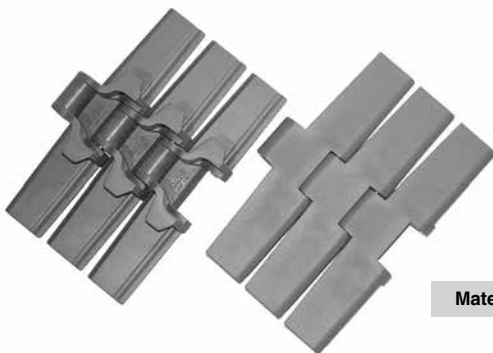
Side Flexing Chains, TAB Guides

- Heavy duty
- Large, flat surface
- Low coefficient of friction

Due to a larger hinge and pin size, plus a well balanced distribution of materials, the 882 TAB chain has excellent load carrying capacity, comparable with that of the 821 chain's double hinge design.

Standard sizes are up to 12" wide, making it compatible with the 821 series. 882 TAB offers the largest conveying area in the side flexing flat top chain product line.

Standard Length: 10ft.
Pitches: 80



Material: "LF Brown" Low friction acetal with 304 stainless steel pins.

| Chain Reference | Part Number | Breaking Load (lbs.) | L (width) | R Min. | SC Straight | SC Curved | Weight (lbs. per ft.) |
|------------------|-------------|----------------------|-----------|--------|-------------|-----------|-----------------------|
| LF 882 TAB K450 | 11040 | 2248 | 4-1/2 | 24 | 2.36 | 2.28 | 1.36 |
| LF 882 TAB K750 | 11041 | 2248 | 7-1/2 | 24 | 2.36 | 2.28 | 1.65 |
| LF 882 TAB K1000 | 11042 | 2248 | 10 | 24 | 2.36 | 2.28 | 1.93 |
| LF 882 TAB K1200 | 11043 | 2248 | 12 | 24 | 2.36 | 2.28 | 2.29 |

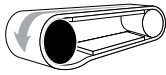
Material: "XPG Dark Grey" Very low friction acetal with 304 stainless steel pins.

| Chain Reference | Part Number | Breaking Load (lbs.) | L (width) | R Min. | SC Straight | SC Curved | Weight (lbs. per ft.) |
|-------------------|-------------|----------------------|-----------|--------|-------------|-----------|-----------------------|
| XPG 882 TAB K450 | 11513G | 2136 | 4-1/2 | 24 | 2.36 | 2.28 | 1.36 |
| XPG 882 TAB K750 | 11514G | 2136 | 7-1/2 | 24 | 2.36 | 2.28 | 1.65 |
| XPG 882 TAB K1000 | 11515G | 2136 | 10 | 24 | 2.36 | 2.28 | 1.93 |
| XPG 882 TAB K1200 | 11516G | 2136 | 12 | 24 | 2.36 | 2.28 | 2.29 |

Material: "NG Green" Our proprietary lowest friction PBT with 304 stainless steel pins.

| Chain Reference | Part Number | Breaking Load (lbs.) | L (width) | R Min. | SC Straight | SC Curved | Weight (lbs. per ft.) |
|------------------|-------------|----------------------|-----------|--------|-------------|-----------|-----------------------|
| NG 882 TAB K450 | 11483 | 2023 | 4-1/2 | 24 | 2.36 | 2.28 | 1.36 |
| NG 882 TAB K750 | 11484 | 2023 | 7-1/2 | 24 | 2.36 | 2.28 | 1.65 |
| NG 882 TAB K1000 | 11485 | 2023 | 10 | 24 | 2.36 | 2.28 | 1.93 |
| NG 882 TAB K1200 | 11486 | 2023 | 12 | 24 | 2.36 | 2.28 | 2.29 |

Side Flexing Plastic Chains



Drive Sprocket Options for 882 TAB Chains

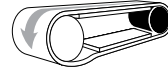


Machined Split

Molded Split

| Shaft Sized Bore Dia. | Teeth or Equivalent | Part Number | Part Number |
|-----------------------|---------------------|-------------|-------------|
| .71* | 9 | 12914 | - |
| 1 | 9 | 12346S | - |
| 1-1/4 | 9 | 12347S | - |
| 1-7/16 | 9 | 12347SK | - |
| 1-1/2 | 9 | 12348S | - |
| .71* | 10 | 12915 | - |
| 1 | 10 | 12349S | 321009 |
| 1-1/4 | 10 | 12350S | 321010 |
| 1-7/16 | 10 | 12350SK | 321011 |
| 1-1/2 | 10 | 12351S | 321012 |
| .71* | 11 | 12916 | - |
| 1 | 11 | 12352S | - |
| 1-1/4 | 11 | 12353S | - |
| 1-7/16 | 11 | 12353SK | - |
| 1-1/2 | 11 | 12354S | - |
| .71* | 12 | 12917 | - |
| 1 | 12 | 12355S | 32114 |
| 1-1/4 | 12 | 12356S | 32115 |
| 1-7/16 | 12 | 12356SK | 32116 |
| 1-1/2 | 12 | 12357S | 32117 |

*Plain bore pilot hole. Not sized to a shaft.



Idler Options for 882 TAB Chains

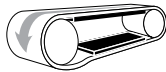


Machined Split

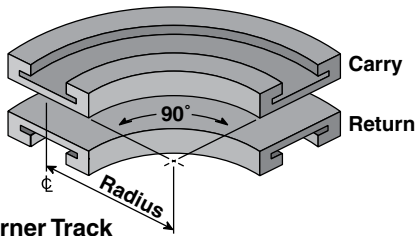
Molded Split

| Part Number | Part Number |
|-------------|-------------|
| - | - |
| 121768S | - |
| 121769S | - |
| 121769SK | - |
| 121770S | - |
| - | - |
| 121771S | 321013 |
| 121772S | 321014 |
| 121772SK | 321015 |
| 121773S | 321016 |
| - | - |
| 121774S | - |
| 121775S | - |
| 121775SK | - |
| 121776S | - |
| - | - |
| 121777S | 32119 |
| 121778S | 32120 |
| 121778SK | 32121 |
| 121779S | 32122 |

See all sprockets and idlers on pages 101-125

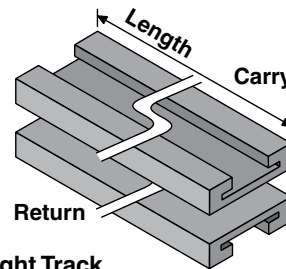


Track Options for 882 TAB Chains



Corner Track

| Part Number | Track Width | Radius (inches) |
|------------------|-------------|-----------------|
| VT-982-T-24-0450 | 5.0 | 24 |
| VT-982-T-24-0750 | 8.0 | 24 |
| VT-982-T-24-1000 | 10.5 | 24 |
| VT-982-T-24-1200 | 12.5 | 24 |



Straight Track

| Part Number | Track Width | Length (feet) |
|--------------------|-------------|---------------|
| VT-982-T-S-0450-3 | 5.0 | 3 |
| VT-982-T-S-0450-6 | 5.0 | 6 |
| VT-982-T-S-0450-10 | 5.0 | 10 |
| VT-982-T-S-0750-3 | 8.0 | 3 |
| VT-982-T-S-0750-6 | 8.0 | 6 |
| VT-982-T-S-0750-10 | 8.0 | 10 |
| VT-982-T-S-1000-3 | 10.5 | 3 |
| VT-982-T-S-1000-6 | 10.5 | 6 |
| VT-982-T-S-1000-10 | 10.5 | 10 |
| VT-982-T-S-1200-6 | 12.5 | 6 |
| VT-982-T-S-1200-10 | 12.5 | 10 |

See all ValuTrac modules on pages 130-145

831 VG

Straight Running Chains, Single Hinge, High Friction Surface

These chains are produced with high friction pads, and are ideal for use in the food and beverage industry where products are often conveyed on inclined and declined conveyors.

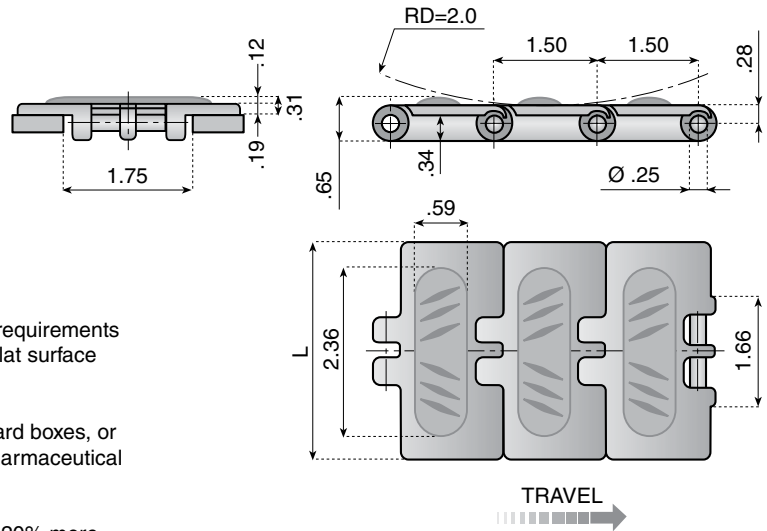
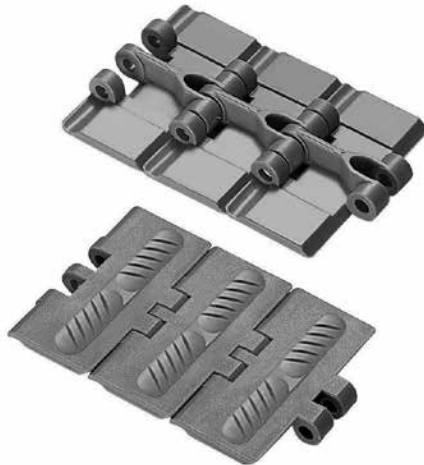
Low noise level, low coefficient of friction, and low horsepower requirements are the advantages of these chains. They provide an excellent flat surface and medium working load in a dry running environment.

Lines packaging PET bottle packs in heat shrink film, paper board boxes, or cans in heat shrink film, can also be fitted with these chains. Pharmaceutical industry applications include all general purpose conveying.

The added thickness (3/16 in.) of the 831 series top plate adds 20% more wear life, and simplifies conveyor design when matching with chain series: 821, 879, 882, 878.

These chains need a roller return track due to the friction pad extending across the full width of the plate.

Standard Length: 10ft.
Pitches: 80

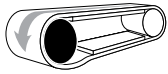


Material: "NGD Dark Grey" Our proprietary lowest friction PBT with 304 stainless steel pins. Water blue thermoplastic rubber pads.

| Chain Reference | Part Number | Breaking Load (lbs.) | L (width) | Weight (lbs. per ft.) |
|------------------------|--------------|----------------------|--------------|-----------------------|
| NGD 831 K325 VG | 11221 | 900 | 3-1/4 | .94 |

Custom pad spacing available upon request. Pads are assembled per order based on customer requirements. Indicate distance between rubber pads when ordering.

Straight Running Plastic Chains



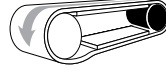
Drive Sprocket Options for 831 VG Chains



Machined Split



Molded Split



Idler Options for 831 VG Chains



Machined Split



Molded Split



Low-Friction Molded



Molded Split

| Shaft Sized Bore Dia. | Teeth or Equivalent | Machined Split Part Number | Molded Split Part Number | Machined Split Part Number | Molded Split Part Number | Low-Friction Molded Part Number | Molded Split Part Number |
|-----------------------|---------------------|----------------------------|--------------------------|----------------------------|--------------------------|---------------------------------|--------------------------|
| .71* | 19 | 12961 | - | - | - | - | - |
| 1 | 19 | 12924S | - | 121147S | - | - | - |
| 1-1/4 | 19 | 12925S | - | 121148S | - | - | - |
| 1-7/16 | 19 | 12926S | - | 121149S | - | - | - |
| 1-1/2 | 19 | 12927S | - | 121150S | - | - | - |
| .71* | 21 | 12962 | - | - | - | - | - |
| 1 | 21 | 12928S | 32057 | 121151S | 321095 | 32866 | 32077B |
| 1-1/4 | 21 | 12929S | 32058 | 121152S | 321096 | 32867 | 32078B |
| 1-7/16 | 21 | 12930S | 32059 | 121153S | 321097 | 32868 | 32079B |
| 1-1/2 | 21 | 12931S | 32060 | 121154S | 321098 | 32869 | 32080B |
| .71* | 23 | 12963 | - | - | - | - | - |
| 1 | 23 | 12932S | 32104 | 121155S | 321100 | 32874 | - |
| 1-1/4 | 23 | 12933S | 32105 | 121156S | 321101 | 32875 | - |
| 1-7/16 | 23 | 12934S | 32106 | 121157S | 321102 | 32876 | - |
| 1-1/2 | 23 | 12935S | 32107 | 121158S | 321103 | 32877 | - |
| .71* | 25 | 12964 | - | - | - | - | - |
| 1 | 25 | 12936S | 32069 | 121159S | 321105 | 32870 | 32081B |
| 1-1/4 | 25 | 12937S | 32070 | 121160S | 321106 | 32871 | 32082B |
| 1-7/16 | 25 | 12938S | 32071 | 121161S | 321107 | 32872 | 32083B |
| 1-1/2 | 25 | 12939S | 32072 | 121162S | 321108 | 32873 | 32084B |
| .71* | 27 | 121125 | - | - | - | - | - |
| 1 | 27 | 121126S | - | 121163S | - | - | - |
| 1-1/4 | 27 | 121127S | - | 121164S | - | - | - |
| 1-7/16 | 27 | 121128S | - | 121165S | - | - | - |
| 1-1/2 | 27 | 121129S | - | 121166S | - | - | - |

*Plain bore pilot hole. Not sized to a shaft.

See all sprockets and idlers on pages 101-125

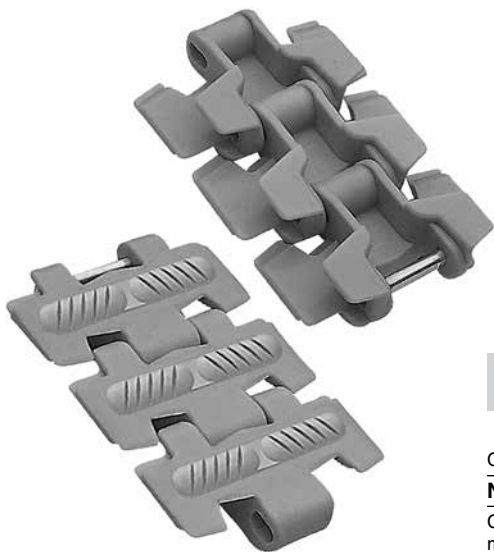
Side Flexing Plastic Chains

878 TAB VG

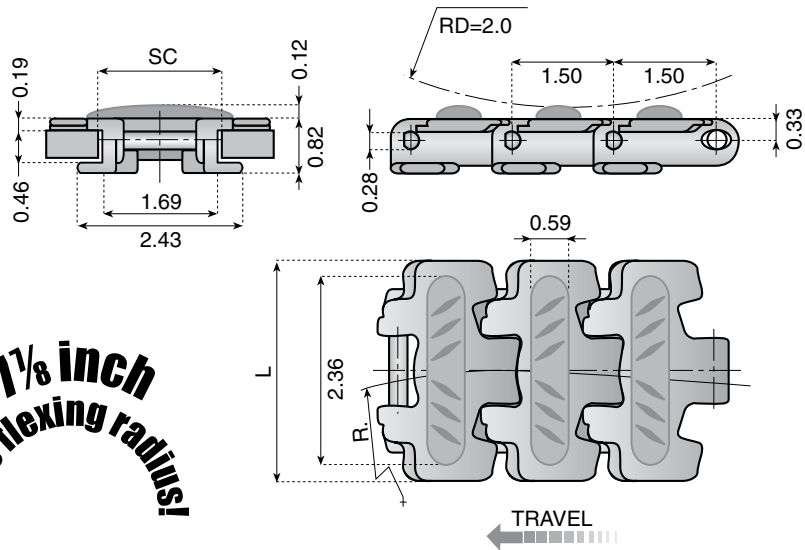
Side Flexing Chains with High Friction Surface

These sideflexing chains are produced with high friction pads and are designed to articulate around a tight radius. Ideal for use in the food and beverage industry where products are often conveyed on inclined and declined conveyors.

Standard Length: 10ft.
Pitches: 80



7 1/8 inch
side flexing radius!

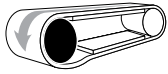


Material: "NGD Dark Grey" Our proprietary lowest friction PBT with 304 stainless steel pins.
Water blue thermoplastic rubber pads.

| Chain Reference | Part Number | Breaking Load (lbs.) | L (width) | R Min. | SC Straight | SC Curved | Weight (lbs./ft.) |
|----------------------------|--------------|----------------------|-------------|-------------|-------------|-------------|-------------------|
| NGD 878 TAB K325 VG | 11391 | 1124 | 3.25 | 7.87 | 1.81 | 1.77 | 0.60 |

Custom pad spacing available upon request. Pads are assembled per order based on customer requirements. Indicate distance between rubber pads when ordering.

Side Flexing Plastic Chains



Drive Sprocket Options for 878 TAB VG Chains



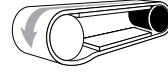
Machined Split



Molded Split

| Shaft Sized Bore Dia. | Teeth or Equivalent | Part Number | Part Number |
|-----------------------|---------------------|-------------|-------------|
| .71* | 9 | 12910 | - |
| 1 | 9 | 12382S | - |
| 1-1/4 | 9 | 12383S | - |
| 1-7/16 | 9 | 12384S | - |
| 1-1/2 | 9 | 12385S | - |
| .71* | 10 | 12911 | - |
| 1 | 10 | 12386S | 321001 |
| 1-1/4 | 10 | 12387S | 321002 |
| 1-7/16 | 10 | 12388S | 321003 |
| 1-1/2 | 10 | 12389S | 321004 |
| .71* | 11 | 12912 | - |
| 1 | 11 | 12390S | - |
| 1-1/4 | 11 | 12391S | - |
| 1-7/16 | 11 | 12392S | - |
| 1-1/2 | 11 | 12393S | - |
| .71* | 12 | 12913 | - |
| 1 | 12 | 12394S | 32400 |
| 1-1/4 | 12 | 12395S | 32711 |
| 1-7/16 | 12 | 12396S | 32401 |
| 1-1/2 | 12 | 12397S | 32402 |

*Plain bore pilot hole. Not sized to a shaft.



Idler Options for 878 TAB VG Chains



Machined Split



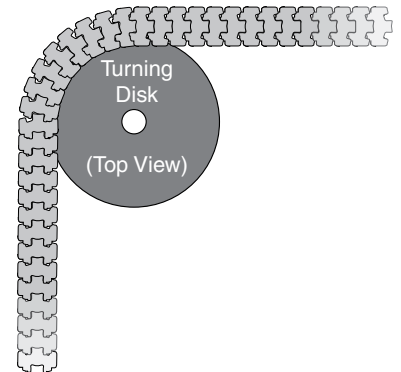
Molded Split

| Part Number | Part Number |
|-------------|-------------|
| - | - |
| 121752S | - |
| 121753S | - |
| 121754S | - |
| 121755S | - |
| - | - |
| 121756S | 321005 |
| 121757S | 321006 |
| 121758S | 321007 |
| 121759S | 321008 |
| - | - |
| 121760S | - |
| 121761S | - |
| 121762S | - |
| 121763S | - |
| - | - |
| 121764S | 32403 |
| 121765S | 32404 |
| 121766S | 32405 |
| 121767S | 32406 |

See all sprockets and idlers on pages 101-125

Improved Turning Disk Designs!

These chains can also use horizontal disks, ideal for numerous curves or alpine applications. See page 126 for complete details.



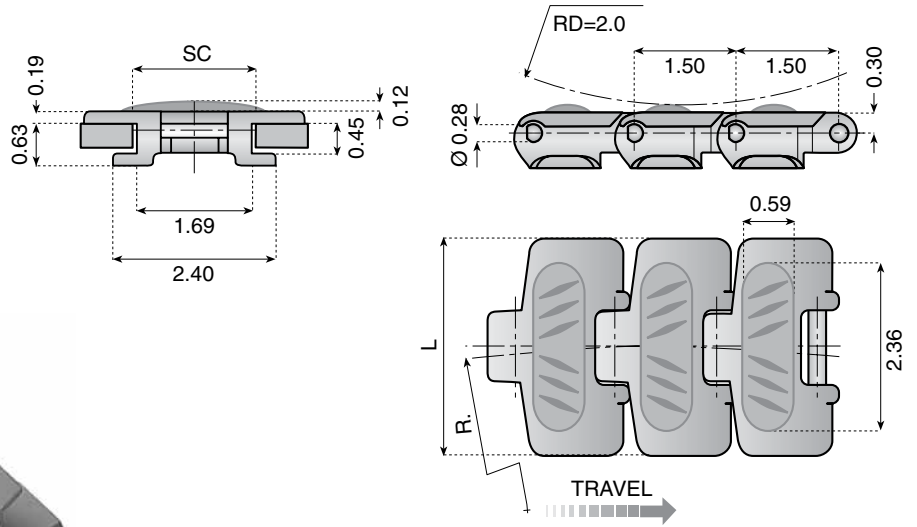
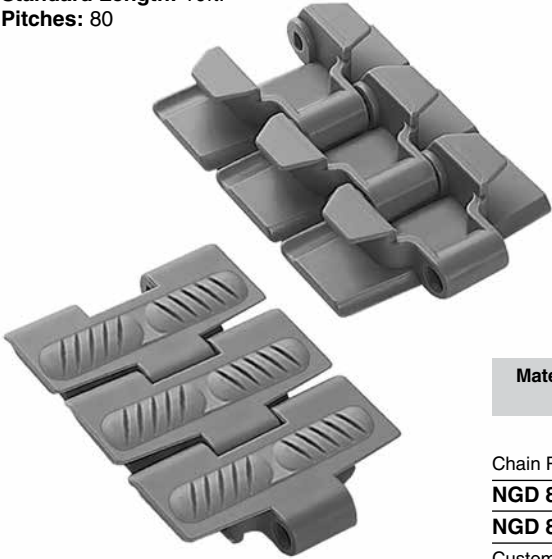
Side Flexing Plastic Chains

879 TAB VG

Side Flexing Chains with High Friction Surface

These sideflexing chains are produced with high friction pads and are designed to articulate around an 18 inch turn radius. Ideal for use in the food and beverage industry where products are often conveyed on inclined and declined conveyors.

Standard Length: 10ft.
Pitches: 80

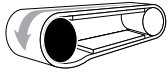


Material: "NGD Dark Grey" Our proprietary lowest friction PBT with 304 stainless steel pins.
Water blue thermoplastic rubber pads.

| Chain Reference | Part Number | Breaking Load (lbs.) | L (width) | R Min. | SC Straight | SC Curved | Weight (lbs./ft.) |
|----------------------------|--------------|----------------------|-------------|-----------|-------------|-------------|-------------------|
| NGD 879 TAB K325 VG | 11242 | 1124 | 3.25 | 18 | 1.81 | 1.77 | 0.94 |
| NGD 879 TAB K450 VG | 11245 | 1124 | 4.5 | 20 | 1.81 | 1.77 | 1.07 |

Custom pad spacing available upon request. Pads are assembled per order based on customer requirements. Indicate distance between rubber pads when ordering.

Side Flexing Plastic Chains



Drive Sprocket Options for 879 TAB VG Chains

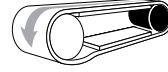


Machined Split

Molded Split

| Shaft Sized Bore Dia. | Teeth or Equivalent | Part Number | Part Number |
|-----------------------|---------------------|-------------|-------------|
| .71* | 9 | 12910 | - |
| 1 | 9 | 12382S | - |
| 1-1/4 | 9 | 12383S | - |
| 1-7/16 | 9 | 12384S | - |
| 1-1/2 | 9 | 12385S | - |
| .71* | 10 | 12911 | - |
| 1 | 10 | 12386S | 321001 |
| 1-1/4 | 10 | 12387S | 321002 |
| 1-7/16 | 10 | 12388S | 321003 |
| 1-1/2 | 10 | 12389S | 321004 |
| .71* | 11 | 12912 | - |
| 1 | 11 | 12390S | - |
| 1-1/4 | 11 | 12391S | - |
| 1-7/16 | 11 | 12392S | - |
| 1-1/2 | 11 | 12393S | - |
| .71* | 12 | 12913 | - |
| 1 | 12 | 12394S | 32400 |
| 1-1/4 | 12 | 12395S | 32711 |
| 1-7/16 | 12 | 12396S | 32401 |
| 1-1/2 | 12 | 12397S | 32402 |

*Plain bore pilot hole. Not sized to a shaft.



Idler Options for 879 TAB VG Chains

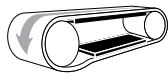


Machined Split

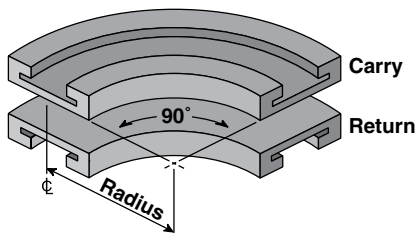
Molded Split

| Part Number | Part Number |
|-------------|-------------|
| - | - |
| 121752S | - |
| 121753S | - |
| 121754S | - |
| 121755S | - |
| - | - |
| 121756S | 321005 |
| 121757S | 321006 |
| 121758S | 321007 |
| 121759S | 321008 |
| - | - |
| 121760S | - |
| 121761S | - |
| 121762S | - |
| 121763S | - |
| - | - |
| 121764S | 32403 |
| 121765S | 32404 |
| 121766S | 32405 |
| 121767S | 32406 |

See all sprockets and idlers on pages 101-125

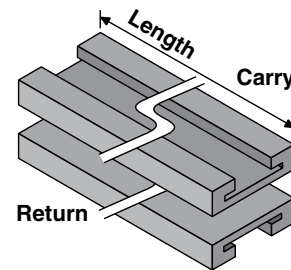


Track Options for 879 TAB VG Chains



Corner Track

| Part Number | Track Width | Radius (inches) |
|------------------|-------------|-----------------|
| VT-980-T-18-0325 | 3.75 | 18 |
| VT-980-T-24-0325 | 3.75 | 24 |
| VT-980-T-24-0450 | 5.0 | 24 |



Straight Track

| Part Number | Track Width | Length (feet) |
|--------------------|-------------|---------------|
| VT-980-T-S-0325-3 | 3.75 | 3 |
| VT-980-T-S-0325-6 | 3.75 | 6 |
| VT-980-T-S-0325-10 | 3.75 | 10 |
| VT-980-T-S-0450-3 | 5.0 | 3 |
| VT-980-T-S-0450-6 | 5.0 | 6 |
| VT-980-T-S-0450-10 | 5.0 | 10 |

See all ValuTrac modules on pages 130-145

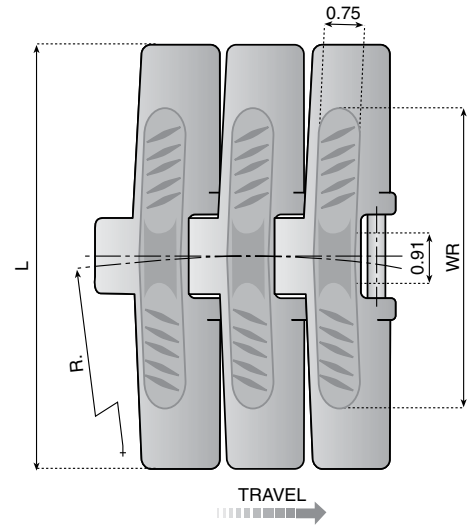
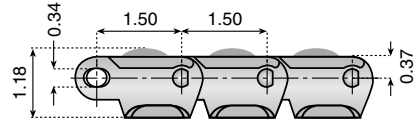
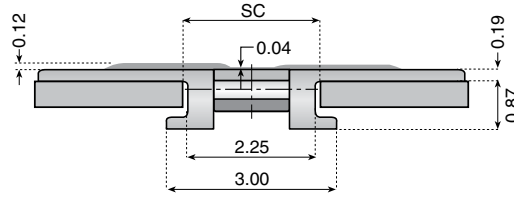
Side Flexing Plastic Chains

882 TAB VG

Side Flexing Chains with High Friction Surface

These sideflexing chains offer a higher tensile strength than standard chains and are particularly suitable where heavier and larger products are conveyed. Ideal for use in the food and beverage industry where products are often conveyed on inclined and declined conveyors.

Standard Length: 10ft.
Pitches: 80

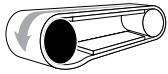


Material: "NGD Dark Grey" Our proprietary lowest friction PBT with 304 stainless steel pins.
Water blue thermoplastic rubber pads.

| Chain Reference | Part Number | Breaking Load (lbs.) | L (width) | WR (width) | R Min. | SC Straight | SC Curved | Weight (lbs./ft.) |
|-----------------------------|--------------|----------------------|--------------|--------------|-----------|-------------|-------------|-------------------|
| NGD 882 TAB K750 VG | 11093 | 2023 | 7.50 | 5.31 | 24 | 2.36 | 2.28 | 1.58 |
| NGD 882 TAB K1000 VG | 11094 | 2023 | 10.00 | 7.50 | 24 | 2.36 | 2.28 | 1.78 |
| NGD 882 TAB K1200 VG | 11095 | 2023 | 12.00 | 10.00 | 24 | 2.36 | 2.28 | 1.95 |

Custom pad spacing available upon request. Pads are assembled per order based on customer requirements. Indicate distance between rubber pads when ordering.

Side Flexing Plastic Chains



Drive Sprocket Options for 882 TAB VG Chains



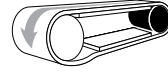
Machined Split



Molded Split

| Shaft Sized Bore Dia. | Teeth or Equivalent | Part Number | Part Number |
|-----------------------|---------------------|-------------|-------------|
| .71* | 9 | 12914 | - |
| 1 | 9 | 12346S | - |
| 1-1/4 | 9 | 12347S | - |
| 1-7/16 | 9 | 12347SK | - |
| 1-1/2 | 9 | 12348S | - |
| .71* | 10 | 12915 | - |
| 1 | 10 | 12349S | 321009 |
| 1-1/4 | 10 | 12350S | 321010 |
| 1-7/16 | 10 | 12350SK | 321011 |
| 1-1/2 | 10 | 12351S | 321012 |
| .71* | 11 | 12916 | - |
| 1 | 11 | 12352S | - |
| 1-1/4 | 11 | 12353S | - |
| 1-7/16 | 11 | 12353SK | - |
| 1-1/2 | 11 | 12354S | - |
| .71* | 12 | 12917 | - |
| 1 | 12 | 12355S | 32114 |
| 1-1/4 | 12 | 12356S | 32115 |
| 1-7/16 | 12 | 12356SK | 32116 |
| 1-1/2 | 12 | 12357S | 32117 |

*Plain bore pilot hole. Not sized to a shaft.



Idler Options for 882 TAB VG Chains

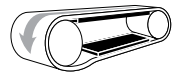


Machined Split

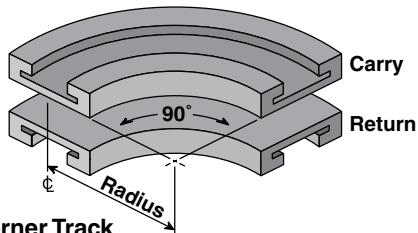


Molded Split

| Part Number | Part Number |
|-------------|-------------|
| - | - |
| 121768S | - |
| 121769S | - |
| 121769SK | - |
| 121770S | - |
| - | - |
| 121771S | 321013 |
| 121772S | 321014 |
| 121772SK | 321015 |
| 121773S | 321016 |
| - | - |
| 121774S | - |
| 121775S | - |
| 121775SK | - |
| 121776S | - |
| - | - |
| 121777S | 32119 |
| 121778S | 32120 |
| 121778SK | 32121 |
| 121779S | 32122 |

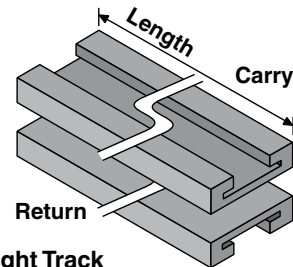


Track Options for 882 TAB VG Chains



Corner Track

| Part Number | Track Width | Radius (inches) |
|------------------|-------------|-----------------|
| VT-982-T-24-0750 | 8.0 | 24 |
| VT-982-T-24-1000 | 10.5 | 24 |
| VT-982-T-24-1200 | 12.5 | 24 |



Straight Track

| Part Number | Track Width | Length (feet) |
|--------------------|-------------|---------------|
| VT-982-T-S-0750-3 | 8.0 | 3 |
| VT-982-T-S-0750-6 | 8.0 | 6 |
| VT-982-T-S-0750-10 | 8.0 | 10 |
| VT-982-T-S-1000-3 | 10.5 | 3 |
| VT-982-T-S-1000-6 | 10.5 | 6 |
| VT-982-T-S-1000-10 | 10.5 | 10 |
| VT-982-T-S-1200-6 | 12.5 | 6 |
| VT-982-T-S-1200-10 | 12.5 | 10 |

See all sprockets and idlers on pages 101-125

See all ValuTrac modules on pages 130-145

Side Flexing Plastic Chains

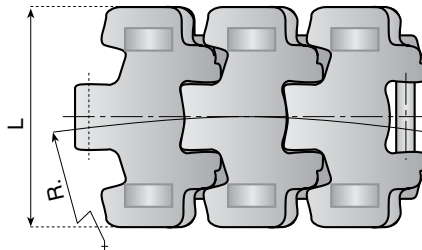
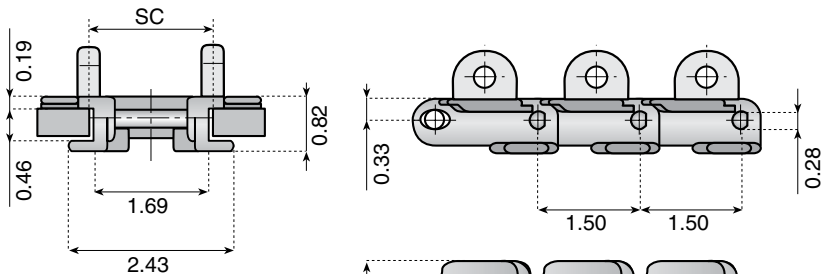
878 TAB GS

Side Flexing Gripper Chains

- Exceptional durability
- Optimum performance
- Extremely low noise level
- Removable gripper

Gripper pads are utilized for a wide range of applications due to their unique mechanical properties. They offer resistance to laceration, abrasion, and other ambient influences.

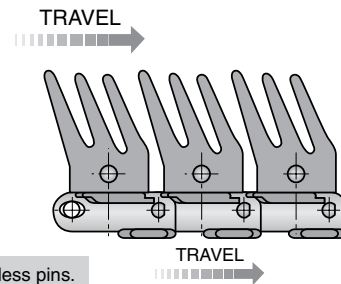
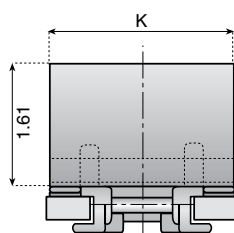
Standard Length: 10ft.
Pitches: 80



GS1 Style Light Applications

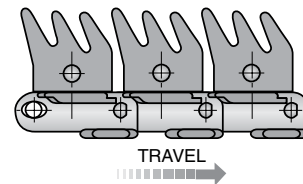
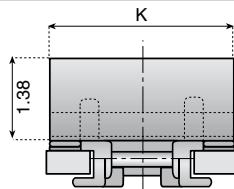
Material: "LFG Grey" Low friction acetal with thermoplastic gripper and 304 stainless pins.

| Chain Reference | Part Number | Kit/Rubber and Pin | Rubber Part Number | Breaking Load (lbs.) | K | L (width) | R Min. | SC Straight | SC Curved | Weight (lbs./ft.) |
|----------------------|-------------|--------------------|--------------------|----------------------|------|-----------|--------|-------------|-----------|-------------------|
| LFG 878 TAB K325 GS1 | 11407 | 11736 | 11740 | 1349 | 3.23 | 3.25 | 7.87 | 1.81 | 1.77 | 3.12 |



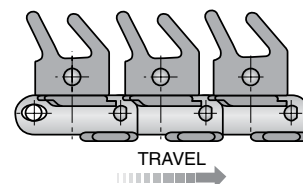
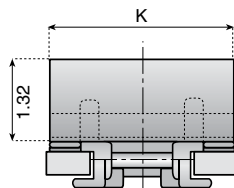
GS2 Style Heavy Applications

| Chain Reference | Part Number | Kit/Rubber and Pin | Rubber Part Number | Breaking Load (lbs.) | K | L (width) | R Min. | SC Straight | SC Curved | Weight (lbs./ft.) |
|----------------------|-------------|--------------------|--------------------|----------------------|------|-----------|--------|-------------|-----------|-------------------|
| LFG 878 TAB K325 GS2 | 11408 | 11737 | 11742 | 1349 | 3.23 | 3.25 | 7.87 | 1.81 | 1.77 | 2.72 |



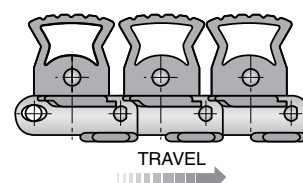
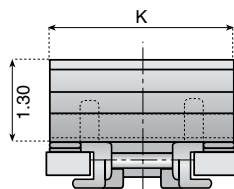
GS3 Style Special Applications

| Chain Reference | Part Number | Kit/Rubber and Pin | Rubber Part Number | Breaking Load (lbs.) | K | L (width) | R Min. | SC Straight | SC Curved | Weight (lbs./ft.) |
|----------------------|-------------|--------------------|--------------------|----------------------|------|-----------|--------|-------------|-----------|-------------------|
| LFG 878 TAB K325 GS3 | 11409 | 11738 | 11744 | 1349 | 3.23 | 3.25 | 7.87 | 1.81 | 1.77 | 2.65 |



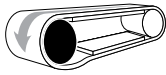
GS4 Style Special Applications

| Chain Reference | Part Number | Kit/Rubber and Pin | Rubber Part Number | Breaking Load (lbs.) | K | L (width) | R Min. | SC Straight | SC Curved | Weight (lbs./ft.) |
|----------------------|-------------|--------------------|--------------------|----------------------|------|-----------|--------|-------------|-----------|-------------------|
| LFG 878 TAB K325 GS4 | 11404 | 11739 | 11746 | 1349 | 3.23 | 3.25 | 7.87 | 1.81 | 1.77 | 2.72 |

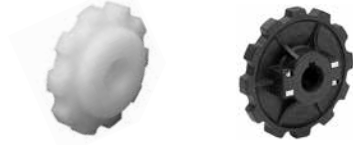


1 1/8 inch
side flexing radius!

Side Flexing Plastic Chains



Drive Sprocket Options for 878 TAB GS Chains

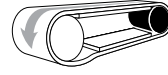


Machined Split

Molded Split

| Shaft Sized Bore Dia. | Teeth or Equivalent | Part Number | Part Number |
|-----------------------|---------------------|-------------|-------------|
| .71* | 9 | 12910 | - |
| 1 | 9 | 12382S | - |
| 1-1/4 | 9 | 12383S | - |
| 1-7/16 | 9 | 12384S | - |
| 1-1/2 | 9 | 12385S | - |
| <hr/> | | | |
| .71* | 10 | 12911 | - |
| 1 | 10 | 12386S | 321001 |
| 1-1/4 | 10 | 12387S | 321002 |
| 1-7/16 | 10 | 12388S | 321003 |
| 1-1/2 | 10 | 12389S | 321004 |
| <hr/> | | | |
| .71* | 11 | 12912 | - |
| 1 | 11 | 12390S | - |
| 1-1/4 | 11 | 12391S | - |
| 1-7/16 | 11 | 12392S | - |
| 1-1/2 | 11 | 12393S | - |
| <hr/> | | | |
| .71* | 12 | 12913 | - |
| 1 | 12 | 12394S | 32400 |
| 1-1/4 | 12 | 12395S | 32711 |
| 1-7/16 | 12 | 12396S | 32401 |
| 1-1/2 | 12 | 12397S | 32402 |

*Plain bore pilot hole. Not sized to a shaft.



Idler Options for 878 TAB GS Chains

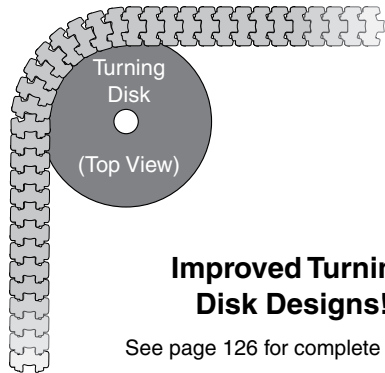


Machined Split

Molded Split

| Part Number | Part Number |
|-------------|-------------|
| - | - |
| 121752S | - |
| 121753S | - |
| 121754S | - |
| 121755S | - |
| <hr/> | |
| - | - |
| 121756S | 321005 |
| 121757S | 321006 |
| 121758S | 321007 |
| 121759S | 321008 |
| <hr/> | |
| - | - |
| 121760S | - |
| 121761S | - |
| 121762S | - |
| 121763S | - |
| <hr/> | |
| - | - |
| 121764S | 32403 |
| 121765S | 32404 |
| 121766S | 32405 |
| 121767S | 32406 |

See all sprockets and idlers on pages 101-125



Improved Turning Disk Designs!

See page 126 for complete details.



Side Flexing 2-Piece Chains

1873 GS

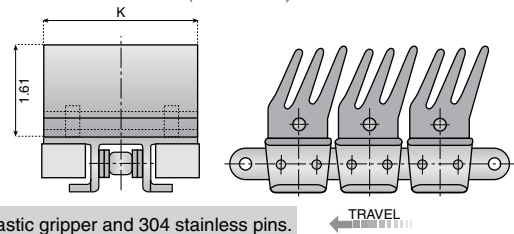
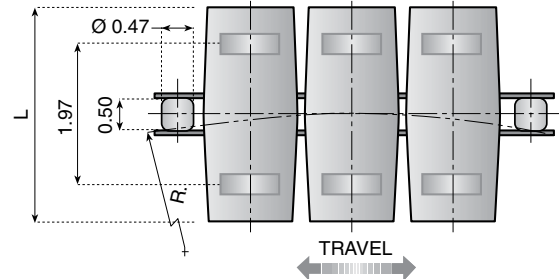
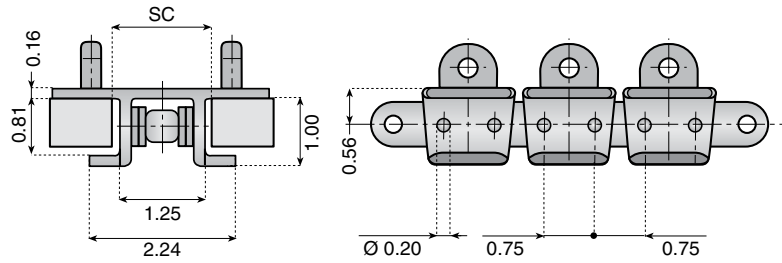
Side Flexing Gripper Chains

Series 60 carbon or stainless steel roller chain, 3/4 in. pitch

- Exceptional durability
- Optimum performance
- Extremely low noise level
- Removable gripper
- Base roller chain with high load capability

Gripper pads are utilized for a wide range of applications due to their unique mechanical properties. They offer resistance to laceration, abrasion, and other ambient influences.

Standard Length: 10ft.
Pitches: 160



GS1 Style Light Applications

Material: "LFG Grey" Low friction acetal with thermoplastic gripper and 304 stainless pins.

| Chain Reference | Part Number | Kit/Flight Rubber & Pin | Rubber Part Number | Breaking Load (lbs.) | K | L (width) | R Min. | SC Straight | SC Curved | Weight (lbs./ft.) |
|---|-------------|-------------------------|--------------------|----------------------|------|-----------|--------|-------------|-----------|-------------------|
| Carbon Steel LFG 1873 K325 GS1 | 11762 | 11730 | 11740 | 6070 | 3.23 | 3.25 | 15.0 | 1.31 | 1.38 | 3.12 |
| Carbon Steel LFG 1873 K450 GS1 | 11766 | 11731 | 11741 | 6070 | 4.49 | 4.5 | 15.0 | 1.31 | 1.38 | 4.73 |
| Stainless Steel LFG 1873 SS K325 GS1 | 11763 | 11730 | 11740 | 4721 | 3.23 | 3.25 | 15.0 | 1.31 | 1.38 | 3.12 |
| Stainless Steel LFG 1873 SS K450 GS1 | 11767 | 11731 | 11741 | 4721 | 4.49 | 4.5 | 15.0 | 1.31 | 1.38 | 4.73 |

GS2 Style Heavy Applications

Material: "LFG Grey" Low friction acetal with thermoplastic gripper and 304 stainless pins.

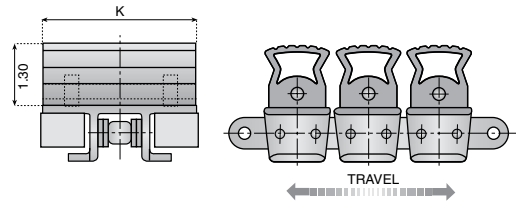
| Chain Reference | Part Number | Kit/Flight Rubber & Pin | Rubber Part Number | Breaking Load (lbs.) | K | L (width) | R Min. | SC Straight | SC Curved | Weight (lbs./ft.) |
|---|-------------|-------------------------|--------------------|----------------------|------|-----------|--------|-------------|-----------|-------------------|
| Carbon Steel LFG 1873 K325 GS2 | 11775 | 11732 | 11742 | 6070 | 3.23 | 3.25 | 15.0 | 1.31 | 1.38 | 2.72 |
| Stainless Steel LFG 1873 SS K325 GS2 | AA1100144 | 11732 | 11742 | 4721 | 3.23 | 3.25 | 15.0 | 1.31 | 1.38 | 2.72 |



Side Flexing 2-Piece Chains

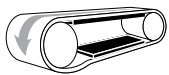


GS4 Style Special Applications

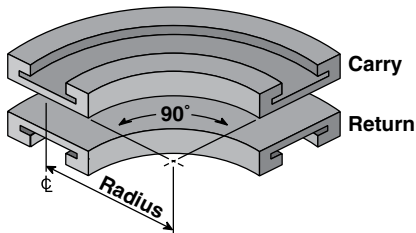


Material: "LFG Grey" Low friction acetal with thermoplastic gripper and 304 stainless pins.

| Chain Reference | Part Number | Kit/Flight Rubber & Pin | Rubber Part Number | Breaking Load (lbs.) | K | L (width) | R Min. | SC Straight | SC Curved | Weight (lbs./ft.) |
|---|-------------|-------------------------|--------------------|----------------------|------|-----------|--------|-------------|-----------|-------------------|
| Carbon Steel LFG 1873 K325 GS4 | AA1100156 | 11728 | 11746 | 6070 | 3.23 | 3.25 | 15.0 | 1.31 | 1.38 | 2.72 |
| Stainless Steel LFG 1873 SS K325 GS4 | AA1100146 | 11728 | 11746 | 4721 | 3.23 | 3.25 | 15.0 | 1.31 | 1.38 | 2.72 |

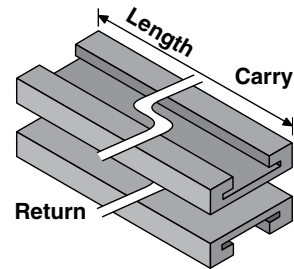


Track Options for 1873 GS Chains



Corner Track

| Part Number | Track Width | Radius (inches) |
|------------------|-------------|-----------------|
| VT-973-T-18-0325 | 3.75 | 18 |
| VT-973-T-24-0325 | 3.75 | 24 |
| VT-973-T-24-0450 | 5.0 | 24 |



Straight Track

| Part Number | Track Width | Length (feet) |
|--------------------|-------------|---------------|
| VT-973-T-S-0325-3 | 3.75 | 3 |
| VT-973-T-S-0325-6 | 3.75 | 6 |
| VT-973-T-S-0325-10 | 3.75 | 10 |
| VT-973-T-S-0450-3 | 5.0 | 3 |
| VT-973-T-S-0450-6 | 5.0 | 6 |
| VT-973-T-S-0450-10 | 5.0 | 10 |

See all ValuTrac modules on pages 130-145

Straight Running 2-Piece Chains

843

Straight Running Plate Top Chains

Series 40 carbon or stainless steel roller chain, 1/2 in. pitch

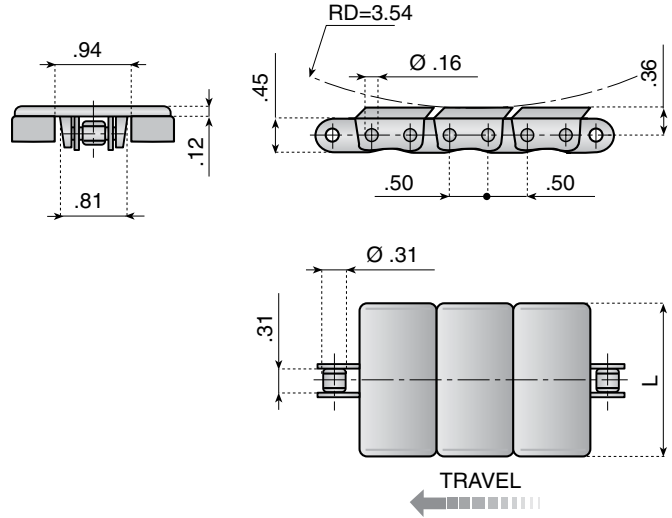
By combining the carrying capacity of a high quality base roller chain with the smoothness and flatness of thermoplastic flites, greater conveyor design flexibility, increased conveyor lengths and faster speeds are possible. Plate top chains offer the added benefits of:

- Small pitch
- Reduced sprocket diameter
- Easy maintenance
- Removable plastic flites
- High loads
- Ability to start under full load

Standard Length: 10ft.

Pitches: 240

Flites: 120



Material: "LFG Grey" Low friction acetal flites attached to steel roller chain.

| Chain Reference | Part Number | L (width) | Weight (lbs. per ft.) |
|--------------------|--------------|---------------|--------------------------|
| LF 843 K100 | 11593 | 1 | .55 |
| LF 843 K125 | 11720 | 1-1/4 | .56 |
| LF 843 K138 | 11614 | 1-3/8 | .56 |
| LF 843 K144 | 11615 | 1-7/16 | .57 |
| LF 843 K200 | 11616 | 2 | .60 |
| LF 843 K325 | 11617 | 3-1/4 | .69 |

Material: "XPG Dark Grey" Very low friction acetal flites attached to steel roller chain.

| Chain Reference | Part Number | L (width) | Weight (lbs. per ft.) |
|---------------------|---------------|---------------|--------------------------|
| XPG 843 K100 | 11594G | 1 | .55 |
| XPG 843 K125 | 11721G | 1-1/4 | .56 |
| XPG 843 K138 | 11517G | 1-3/8 | .56 |
| XPG 843 K144 | 11595G | 1-7/16 | .57 |
| XPG 843 K200 | 11518G | 2 | .60 |
| XPG 843 K325 | 11519G | 3-1/4 | .69 |

Material: "LFG Grey" Low friction acetal flites attached to steel roller chain.

| Chain Reference | Part Number | L (width) | Weight (lbs. per ft.) |
|-----------------------|--------------|---------------|--------------------------|
| LF 843 SS K100 | 11597 | 1 | .55 |
| LF 843 SS K138 | 11644 | 1-3/8 | .56 |
| LF 843 SS K144 | 11645 | 1-7/16 | .57 |
| LF 843 SS K200 | 11646 | 2 | .60 |
| LF 843 SS K325 | 11647 | 3-1/4 | .69 |

Material: "XPG Dark Grey" Very low friction acetal flites attached to stainless steel roller chain.

| Chain Reference | Part Number | L (width) | Weight (lbs. per ft.) |
|------------------------|---------------|---------------|--------------------------|
| XPG 843 SS K100 | 11598G | 1 | .55 |
| XPG 843 SS K125 | 11724G | 1-1/4 | .56 |
| XPG 843 SS K138 | 11520G | 1-3/8 | .56 |
| XPG 843 SS K144 | 11599G | 1-7/16 | .57 |
| XPG 843 SS K200 | 11521G | 2 | .60 |
| XPG 843 SS K325 | 11522G | 3-1/4 | .69 |

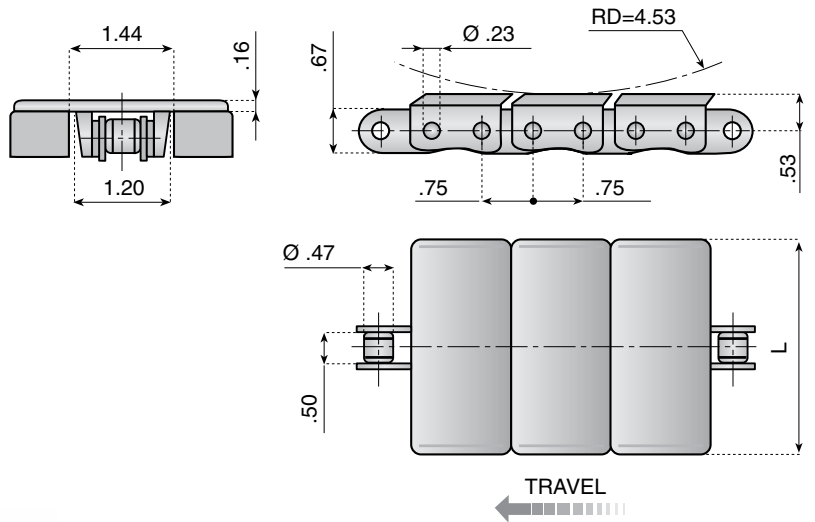
863

Straight Running Plate Top Chains Series 60 carbon or stainless steel roller chain, 3/4 in. pitch

By combining the carrying capacity of a high quality base roller chain with the smoothness and flatness of thermo-plastic flites, greater conveyor design flexibility, increased conveyor lengths and faster speeds are possible. Plate top chains offer the added benefits of:

- Easy maintenance
- Removable plastic flites
- Very high loads
- Ability to start under full load

Standard Length: 10ft.
Pitches: 160
Flites: 80



| Material: "LFG Grey" Low friction acetal flites attached to steel roller chain. | | | |
|---|-------------|-----------|-----------------------|
| Chain Reference | Part Number | L (width) | Weight (lbs. per ft.) |
| LF 863 K325 | 11622 | 3-1/4 | 1.41 |
| LF 863 K450 | 11623 | 4-1/2 | 1.50 |
| LF 863 K600 | 11624 | 6 | 1.70 |
| LF 863 K750 | 11625 | 7-1/2 | 1.80 |

| Material: "XP Dark Grey" Very low friction acetal flites attached to steel roller chain. | | | |
|--|-------------|-----------|-----------------------|
| Chain Reference | Part Number | L (width) | Weight (lbs. per ft.) |
| XPG 863 K325 | 11523G | 3-1/4 | 1.41 |
| XPG 863 K600 | 11525G | 6 | 1.70 |
| XPG 863 K750 | 11526G | 7-1/2 | 1.80 |

| Material: "LFG Grey" Low friction acetal flites attached to steel roller chain. | | | |
|---|-------------|-----------|-----------------------|
| Chain Reference | Part Number | L (width) | Weight (lbs. per ft.) |
| LF 863 SS K325 | 11652 | 3-1/4 | 1.41 |
| LF 863 SS K450 | 11653 | 4-1/2 | 1.50 |
| LF 863 SS K600 | 11654 | 6 | 1.70 |
| LF 863 SS K750 | 11655 | 7-1/2 | 1.80 |

| Material: "XP Dark Grey" Very low friction acetal flites attached to stainless steel roller chain. | | | |
|--|-------------|-----------|-----------------------|
| Chain Reference | Part Number | L (width) | Weight (lbs. per ft.) |
| XPG 863 SS K325 | 11527G | 3-1/4 | 1.41 |
| XPG 863 SS K450 | 11528G | 4-1/2 | 1.50 |
| XPG 863 SS K600 | 11529G | 6 | 1.70 |
| XPG 863 SS K750 | 11530G | 7-1/2 | 1.80 |

Side Flexing 2-Piece Chains

1843

Side Flexing, Overlapping Plate Top Chains

Series 40 carbon or stainless steel roller chain, 1/2 in. pitch

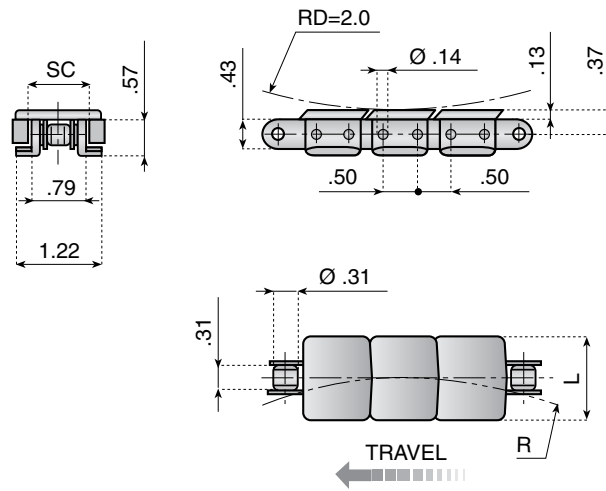
The 1843 series chain offers a continuous, flat conveying surface by combining the carrying capacity of a high quality sidebow base roller chain with snap-on thermoplastic flites. The tab shoes on the flites retain the chain to the track on both the carrying and return sections. This allows for increased conveyor lengths and faster speeds.

- Higher loads
- Longer conveyors
- Easy maintenance
- Flites removable

Standard Length: 10ft.

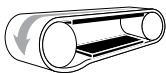
Pitches: 240

Flites: 120

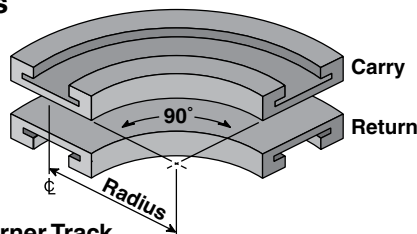


| Material: "LF Brown" Low friction acetal flites attached to steel roller chain. | | | | | | |
|---|-----------------|-------------|-----------|--------|-----|-----------------------|
| Carbon Steel | Chain Reference | Part Number | L (width) | R Min. | SC | Weight (lbs. per ft.) |
| | LF 1843 K125 | 11543 | 1-1/4 | 10 | .88 | .50 |
| | LF 1843 K200 | 11429 | 2 | 10 | .88 | .60 |
| Material: "XPG Dark Grey" Very low friction acetal flites attached to steel roller chain. | | | | | | |
| Carbon Steel | Chain Reference | Part Number | L (width) | R Min. | SC | Weight (lbs. per ft.) |
| | XPG 1843 K125 | 11544G | 1-1/4 | 10 | .88 | .50 |
| | XPG 1843 K200 | 11430G | 2 | 10 | .88 | .60 |

| Material: "LF Brown" Low friction acetal flites attached to stainless steel roller chain. | | | | | | |
|---|------------------|-------------|-----------|--------|-----|-----------------------|
| Stainless Steel | Chain Reference | Part Number | L (width) | R Min. | SC | Weight (lbs. per ft.) |
| | LF 1843 SS K125 | 11545 | 1-1/4 | 10 | .88 | .50 |
| | LF 1843 SS K200 | 11433 | 2 | 10 | .88 | .60 |
| Material: "XPG Dark Grey" Very low friction acetal flites attached to stainless steel roller chain. | | | | | | |
| Stainless Steel | Chain Reference | Part Number | L (width) | R Min. | SC | Weight (lbs. per ft.) |
| | XPG 1843 SS K125 | 11546G | 1-1/4 | 10 | .88 | .50 |
| | XPG 1843 SS K200 | 11434G | 2 | 10 | .88 | .60 |

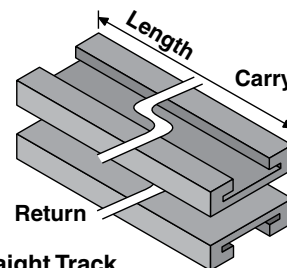


Track Options for 1843 Chains



Corner Track

| Part Number | Track Width | Radius (inches) |
|------------------|-------------|-----------------|
| VT-943-T-10-0150 | 2 | 10 |
| VT-943-T-18-0150 | 2 | 18 |
| VT-943-T-24-0150 | 2 | 24 |



Straight Track

| Part Number | Track Width | Length (feet) |
|--------------------|-------------|---------------|
| VT-943-T-S-0150-3 | 2 | 3 |
| VT-943-T-S-0150-6 | 2 | 6 |
| VT-943-T-S-0150-10 | 2 | 10 |

1863

Side Flexing, Overlapping Plate Top Chains

Series 60 carbon or stainless steel roller chain, 3/4 in. pitch

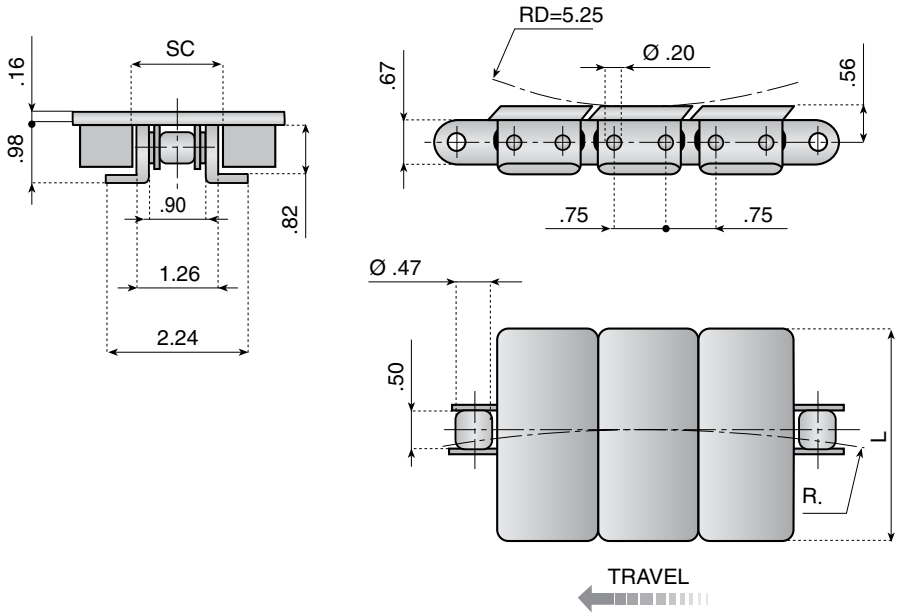
The 1863 series is a further development of the well known 1873 series chain. It has the mechanical characteristics of the 1873 series, offering high speed, longer conveyors and the ability to start under load. Additional features include:

- Overlapping flites to facilitate the conveying of instable products.
- Reduced gap between flites to assure better product stability.
- No more pinching of products in the curve section.
- Improved safety because of the reduced flites gap on both the straight and curved sections of the conveyor.
- Interchangeable with 1873 series.

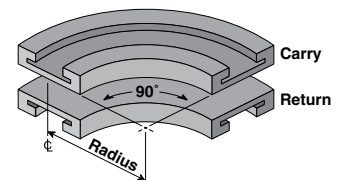
Standard Length: 10ft.

Pitches: 160

Flites: 80



| | | Material: "LF Brown" Low friction acetal flites attached to steel roller chain. | | | | | |
|-----------------|-----------------|--|---------------|--------------|-------------|-------------|-----------------------|
| Carbon Steel | Chain Reference | Part Number | L (width) | R Min. | SC Straight | SC Curved | Weight (lbs. per ft.) |
| | | LF 1863 K225 | 11547 | 2-1/4 | 15 | 1.31 | 1.38 |
| | | Material: "XP Dark Grey" Very low friction acetal flites attached to steel roller chain. | | | | | |
| Carbon Steel | Chain Reference | Part Number | L (width) | R Min. | SC Straight | SC Curved | Weight (lbs. per ft.) |
| | | XPG 1863 K225 | 11552G | 2-1/4 | 15 | 1.31 | 1.38 |
| | | Material: "LF Brown" Low friction acetal flites attached to stainless steel roller chain. | | | | | |
| Stainless Steel | Chain Reference | Part Number | L (width) | R Min. | SC Straight | SC Curved | Weight (lbs. per ft.) |
| | | LF 1863 SS K225 | 11557 | 2-1/4 | 15 | 1.31 | 1.38 |
| | | Material: "XP Dark Grey" Very low friction acetal flites attached to stainless steel roller chain. | | | | | |
| Stainless Steel | Chain Reference | Part Number | L (width) | R Min. | SC Straight | SC Curved | Weight (lbs. per ft.) |
| | | XPG 1863 SS K225 | 11562G | 2-1/4 | 15 | 1.31 | 1.38 |



ValuTrac modular chain guides are available for this track. See page 130.

Side Flexing 2-Piece Chains

1873

Side Flexing, Overlapping Plate Top Chains

Series 60 carbon or stainless steel roller chain, 3/4 in. pitch

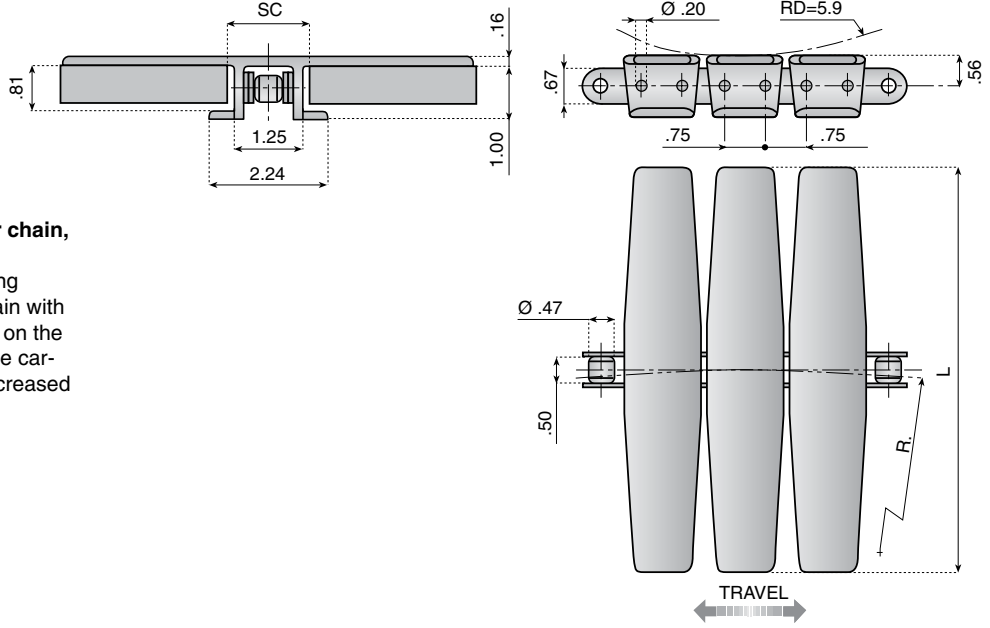
The 1873 series chain combines the carrying capacity of a high quality sidebow roller chain with snap-on thermoplastic flites. The tab shoes on the flites retain the chain to the track on both the carrying and return sections. This allows for increased conveyor lengths and faster speeds.

- Very high loads
- Longer conveyors
- Easy maintenance
- Removable flites
- Lower noise

Standard Length: 10ft.

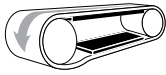
Pitches: 160

Flites: 80

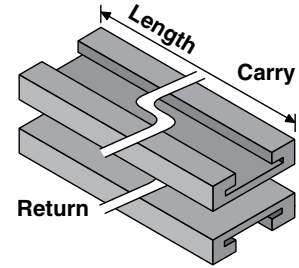
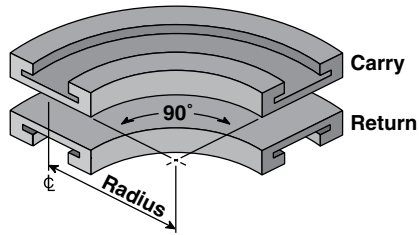


| | | Material: "LF Brown" Low friction acetal flites attached to steel roller chain. | | | | |
|-------------------|-------------|---|--------|-------------|-----------|-----------------------|
| Chain Reference | Part Number | L (width) | R Min. | SC Straight | SC Curved | Weight (lbs. per ft.) |
| LF 1873 K225 | 11633 | 2-1/4 | 15 | 1.31 | 1.38 | 1.34 |
| LF 1873 K325 | 11634 | 3-1/4 | 15 | 1.31 | 1.38 | 1.41 |
| LF 1873 K450 | 11635 | 4-1/2 | 15 | 1.31 | 1.38 | 1.50 |
| LF 1873 K600 | 11636 | 6 | 20 | 1.31 | 1.38 | 1.61 |
| LF 1873 K750 | 11637 | 7-1/2 | 20 | 1.31 | 1.38 | 1.75 |
| LF 1873 K1000 | 11638 | 10 | 20 | 1.31 | 1.38 | 1.88 |
| LF 1873 K1200 | 11639 | 12 | 24 | 1.31 | 1.38 | 2.02 |
| | | Material: "XPG Dark Grey" Very low friction acetal flites attached to steel roller chain. | | | | |
| Chain Reference | Part Number | L (width) | R Min. | SC Straight | SC Curved | Weight (lbs. per ft.) |
| XPG 1873 K225 | 11706G | 2-1/4 | 15 | 1.31 | 1.38 | 1.34 |
| XPG 1873 K325 | 11531G | 3-1/4 | 15 | 1.31 | 1.38 | 1.41 |
| XPG 1873 K450 | 11532G | 4-1/2 | 15 | 1.31 | 1.38 | 1.50 |
| XPG 1873 K600 | 11533G | 6 | 20 | 1.31 | 1.38 | 1.61 |
| XPG 1873 K750 | 11534G | 7-1/2 | 20 | 1.31 | 1.38 | 1.75 |
| XPG 1873 K1000 | 11535G | 10 | 20 | 1.31 | 1.38 | 1.88 |
| XPG 1873 K1200 | 11536G | 12 | 24 | 1.31 | 1.38 | 2.02 |
| | | Material: "LF Brown" Low friction acetal flites attached to stainless steel roller chain. | | | | |
| Chain Reference | Part Number | L (width) | R Min. | SC Straight | SC Curved | Weight (lbs. per ft.) |
| LF 1873 SS K225 | 11663 | 2-1/4 | 15 | 1.31 | 1.38 | 1.34 |
| LF 1873 SS K325 | 11664 | 3-1/4 | 15 | 1.31 | 1.38 | 1.41 |
| LF 1873 SS K450 | 11665 | 4-1/2 | 15 | 1.31 | 1.38 | 1.50 |
| LF 1873 SS K600 | 11666 | 6 | 20 | 1.31 | 1.38 | 1.61 |
| LF 1873 SS K750 | 11667 | 7-1/2 | 20 | 1.31 | 1.38 | 1.75 |
| LF 1873 SS K1000 | 11668 | 10 | 20 | 1.31 | 1.38 | 1.88 |
| LF 1873 SS K1200 | 11669 | 12 | 24 | 1.31 | 1.38 | 2.02 |
| | | Material: "XPG Dark Grey" Very low friction acetal flites attached to stainless steel roller chain. | | | | |
| Chain Reference | Part Number | L (width) | R Min. | SC Straight | SC Curved | Weight (lbs. per ft.) |
| XPG 1873 SS K225 | 11708G | 2-1/4 | 15 | 1.31 | 1.38 | 1.34 |
| XPG 1873 SS K325 | 11537G | 3-1/4 | 15 | 1.31 | 1.38 | 1.41 |
| XPG 1873 SS K450 | 11538G | 4-1/2 | 15 | 1.31 | 1.38 | 1.50 |
| XPG 1873 SS K600 | 11539G | 6 | 20 | 1.31 | 1.38 | 1.61 |
| XPG 1873 SS K750 | 11540G | 7-1/2 | 20 | 1.31 | 1.38 | 1.75 |
| XPG 1873 SS K1000 | 11541G | 10 | 20 | 1.31 | 1.38 | 1.88 |
| XPG 1873 SS K1200 | 11542G | 12 | 24 | 1.31 | 1.38 | 2.02 |

Side Flexing 2-Piece Chains



Track Options for 1873 Chains



Corner Track

| Part Number | Track Width | Radius (inches) |
|------------------|-------------|-----------------|
| VT-973-T-18-0325 | 3.75 | 18 |
| VT-973-T-24-0325 | 3.75 | 24 |
| VT-973-T-24-0450 | 5.0 | 24 |
| VT-973-T-24-0600 | 6.5 | 24 |
| VT-973-T-18-0750 | 8.0 | 18 |
| VT-973-T-24-0750 | 8.0 | 24 |

Straight Track

| Part Number | Track Width | Length (feet) |
|--------------------|-------------|---------------|
| VT-973-T-S-0325-3 | 3.75 | 3 |
| VT-973-T-S-0325-6 | 3.75 | 6 |
| VT-973-T-S-0325-10 | 3.75 | 10 |
| VT-973-T-S-0450-3 | 5.0 | 3 |
| VT-973-T-S-0450-6 | 5.0 | 6 |
| VT-973-T-S-0450-10 | 5.0 | 10 |
| VT-973-T-S-0600-10 | 6.5 | 10 |
| VT-973-T-S-0750-6 | 8.0 | 6 |
| VT-973-T-S-0750-10 | 8.0 | 10 |

See all ValuTrac modules on pages 130-145

Multiflex Chains

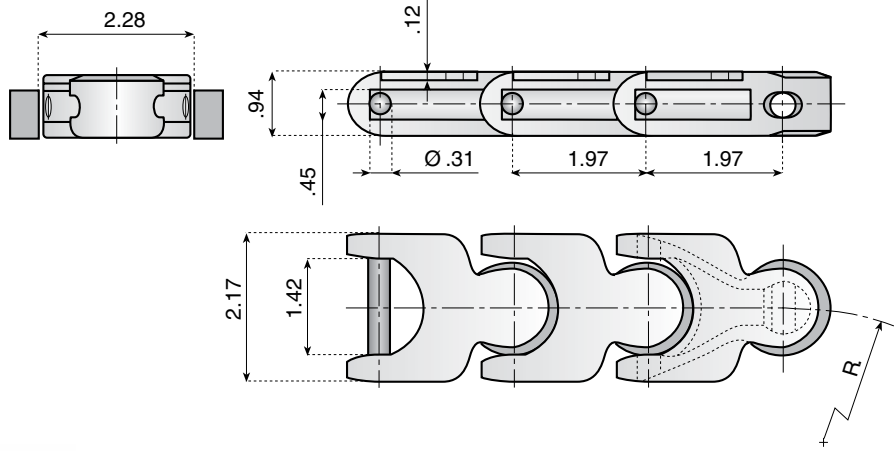
1700

Multiflex Chains

Used for conveying milk cartons in the dairy industry, or for elevating or lowering products with the possibility of accumulation. Also used in the preserving and mechanical industries. Additional features include:

- Multi-directional flexibility
- Horizontal or incline/decline
- Small sideflexing radius
- High working load
- Quality construction
- Long wear life
- Low coefficient of friction

Standard Length: 10ft.
Pitches: 61



Material: White acetal with stainless steel pins.

| Chain Reference | Part Number | Min. Radius | Breaking Load (lbs.) | Weight (lbs. per ft.) |
|-----------------|--------------|-------------|----------------------|-----------------------|
| W-1700 | 11951 | 4.92 | 1910 | .84 |

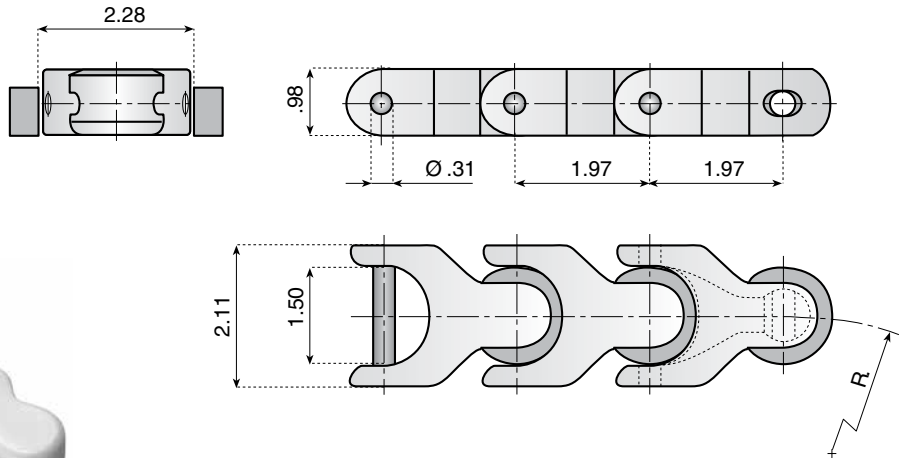
Material: "LF White" Low friction acetal with stainless steel pins.

| | | | | |
|-----------------|--------------|-------------|-------------|------------|
| LFW-1700 | 11953 | 4.92 | 1910 | .84 |
|-----------------|--------------|-------------|-------------|------------|

1702

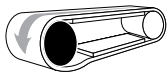
Multiflex Chains

Standard Length: 10ft.
Pitches: 61



Material: "LF White" Low friction acetal with stainless steel pins.

| | | | | |
|-----------------|--------------|-------------|-------------|------------|
| LFW-1702 | 11955 | 5.51 | 2360 | .94 |
|-----------------|--------------|-------------|-------------|------------|



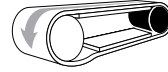
Drive Sprocket Options for 1700, 1702 Multiflex Chains



Machined Split

| Shaft Sized Bore Dia. | Teeth or Equivalent | Part Number |
|-----------------------|---------------------|-------------|
| .79* | 8 | 12730 |
| 1 | 8 | 32731 |
| 1-1/4 | 8 | 32732 |
| 1-7/16 | 8 | 32733 |
| 1-1/2 | 8 | 32734 |
| .79* | 10 | 12745 |
| 1 | 10 | 32746 |
| 1-1/4 | 10 | 32747 |
| 1-7/16 | 10 | 32748 |
| 1-1/2 | 10 | 32749 |
| .79* | 13 | 12750 |
| 1 | 13 | 32751 |
| 1-1/4 | 13 | 32752 |
| 1-7/16 | 13 | 32753 |
| 1-1/2 | 13 | 32754 |

*Plain bore pilot hole. Not sized to a shaft.



Idler Options for 1700, 1702 Multiflex Chains



Machined Split

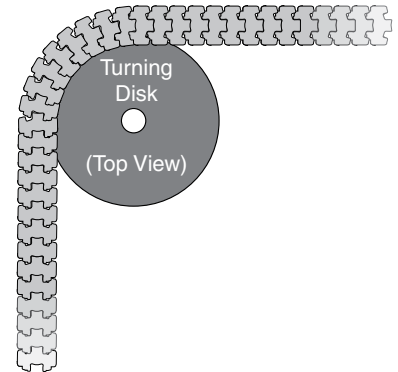
Part Number

| |
|-------|
| - |
| 32736 |
| 32737 |
| 32738 |
| 32739 |
| - |
| 32741 |
| 32742 |
| 32743 |
| 32744 |
| - |
| 32756 |
| 32757 |
| 32758 |
| 32759 |

See all sprockets and idlers on pages 101-125

Improved Turning Disk Designs!

These chains can also use horizontal disks, ideal for numerous curves or alpine applications. See page 126 for complete details.



Multiflex Chains

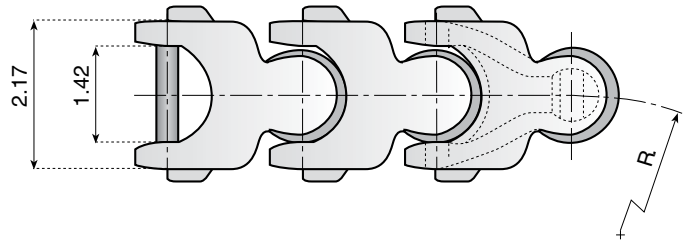
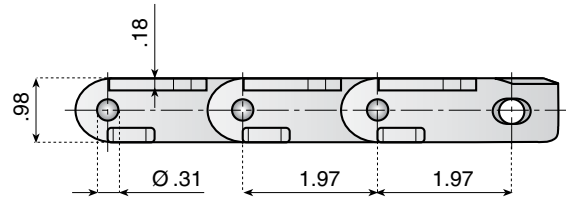
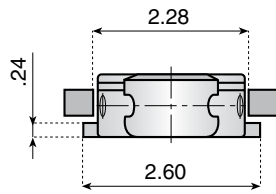
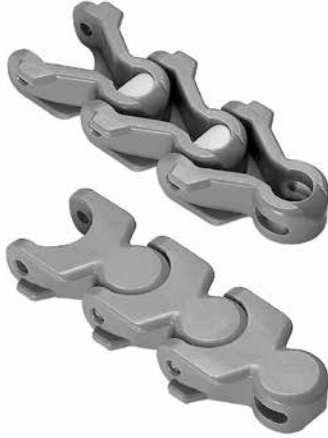
1701 TAB

Multiflex Chains

Used for conveying milk cartons in the dairy industry, or for elevating or lowering products with the possibility of accumulation. Also used in the preserving and mechanical industries. Additional features include:

- Multi-directional flexibility
- Horizontal or incline/decline
- Small sideflexing radius
- High working load
- Quality construction
- Long wear life
- Low coefficient of friction

Standard Length: 10ft.
Pitches: 61



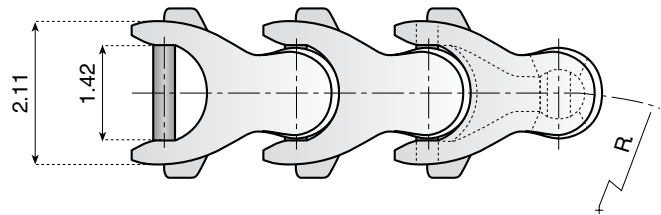
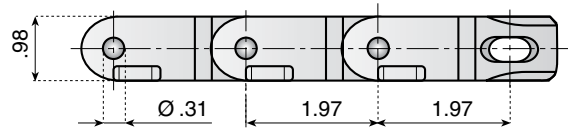
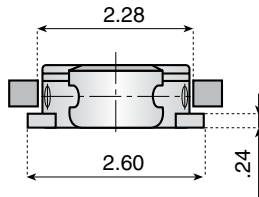
Material: "LF Brown" Low friction acetal with stainless steel pins.

| Chain Reference | Part Number | Min. Radius | Breaking Load (lbs.) | Weight (lbs. per ft.) |
|-----------------|-------------|-------------|----------------------|-----------------------|
| LF-1701 TAB | 11956 | 5.31 | 1910 | .97 |

1701 TAB OP

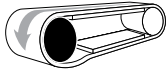
Multiflex Chains

Standard Length: 10ft.
Pitches: 61



Material: "LF Brown" Low friction acetal with stainless steel pins.

| Chain Reference | Part Number | Min. Radius | Breaking Load (lbs.) | Weight (lbs. per ft.) |
|-----------------|-------------|-------------|----------------------|-----------------------|
| LF-1701 TAB OP | 11958 | 4.92 | 1910 | .94 |



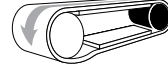
Drive Sprocket Options for 1701 TAB, 1701 TAB OP Multiflex Chains



Machined Split

| Shaft Sized Bore Dia. | Teeth or Equivalent | Part Number |
|-----------------------|---------------------|-------------|
| .79* | 8 | 12730 |
| 1 | 8 | 32731 |
| 1-1/4 | 8 | 32732 |
| 1-7/16 | 8 | 32733 |
| 1-1/2 | 8 | 32734 |
| .79* | 10 | 12745 |
| 1 | 10 | 32746 |
| 1-1/4 | 10 | 32747 |
| 1-7/16 | 10 | 32748 |
| 1-1/2 | 10 | 32749 |
| .79* | 13 | 12750 |
| 1 | 13 | 32751 |
| 1-1/4 | 13 | 32752 |
| 1-7/16 | 13 | 32753 |
| 1-1/2 | 13 | 32754 |

*Plain bore pilot hole. Not sized to a shaft.



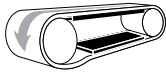
Idler Options for 1701 TAB, 1701 TAB OP Multiflex Chains



Machined

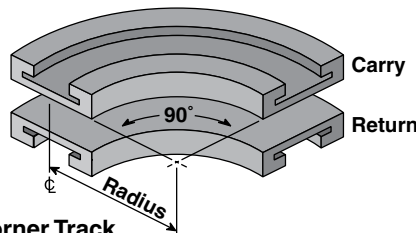
See all sprockets and idlers on pages 101-125

| Part Number |
|-------------|
| - |
| 32736 |
| 32737 |
| 32738 |
| 32739 |
| - |
| 32741 |
| 32742 |
| 32743 |
| 32744 |
| - |
| 32756 |
| 32757 |
| 32758 |
| 32759 |



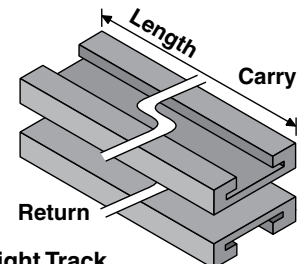
Track Options for 1701 TAB Chains

See all ValuTrac modules on pages 130-145



Corner Track

| Part Number | Track Width | Radius (inches) |
|------------------|-------------|-----------------|
| VT-901-T-24-0209 | 3.25 | 24 |

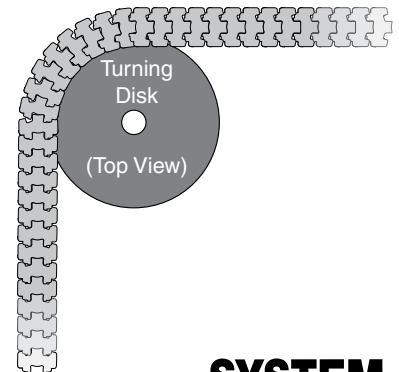


Straight Track

| Part Number | Track Width | Length (feet) |
|--------------------|-------------|---------------|
| VT-901-T-S-0209-3 | 3.25 | 3 |
| VT-901-T-S-0209-6 | 3.25 | 6 |
| VT-901-T-S-0209-10 | 3.25 | 10 |

Improved Turning Disk Designs!

These chains can also use horizontal disks, ideal for numerous curves or alpine applications. See page 126 for complete details.



Case/Crate Conveyor Chains

CC 600

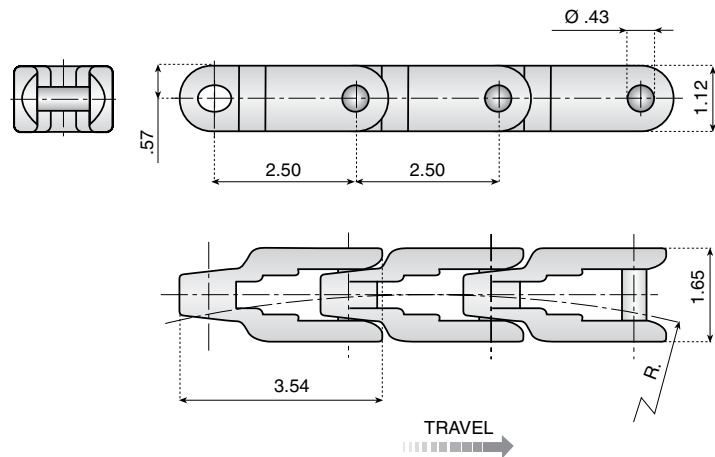
Case/Crate Conveyor Chains

These chains transport plastic crates, or can be used for general purpose conveying applications. They feature high strength, curving radius capability, uniform matte finish, and high wear resistance.

Standard Length: 10ft.

Pitches: 48

See page 125 for compatible sprockets.



Material: White acetal with stainless steel pins.

| Chain Reference | Part Number | Min. Radius | Breaking Load (lbs.) | Weight (lbs. per ft.) |
|-----------------|-------------|-------------|----------------------|-----------------------|
| CC-600 | 11007 | 27.55 | 3147 | .89 |

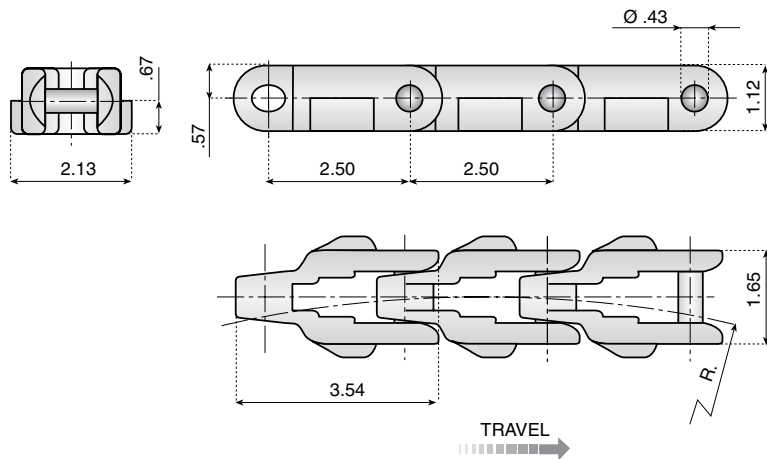
CC 600 TAB

Case/Crate Conveyor Chains

Standard Length: 10ft.

Pitches: 48

See page 125 for compatible sprockets.



Material: White acetal with stainless steel pins.

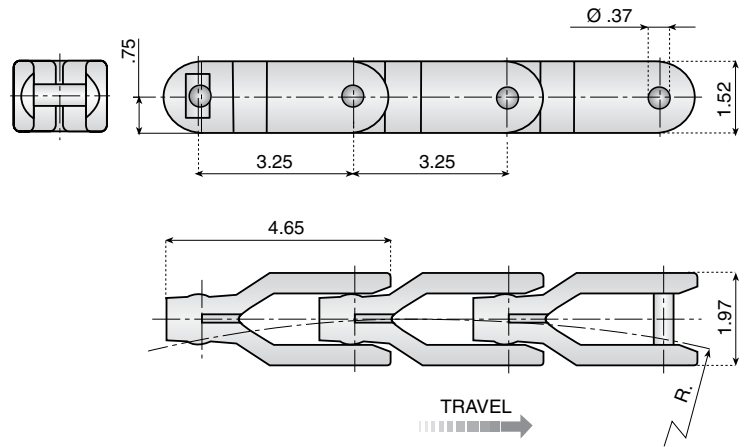
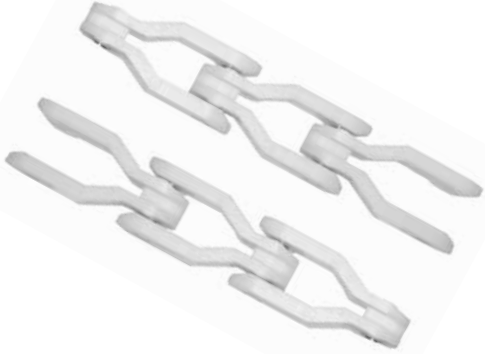
| Chain Reference | Part Number | Min. Radius | Breaking Load (lbs.) | Weight (lbs. per ft.) |
|-----------------|-------------|-------------|----------------------|-----------------------|
| CC-600 TAB | 11009 | 27.55 | 3147 | 1.0 |

CC 1400

Case/Crate Conveyor Chains

These chains transport plastic crates, or can be used for general purpose conveying applications. They feature high strength, curving radius capability, uniform matte finish, and very high wear resistance.

Standard Length: 10ft. Pitches: 37



Material: White acetal with stainless steel pins.

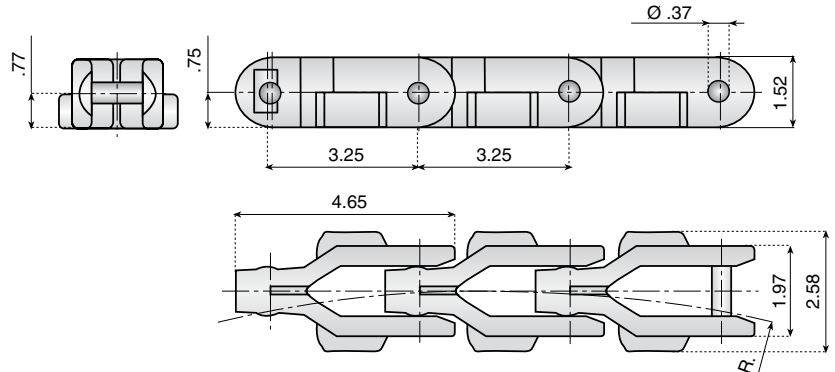
| Chain Reference | Part Number | Min. Radius | Breaking Load (lbs.) | Weight (lbs. per ft.) |
|-----------------|-------------|-------------|----------------------|-----------------------|
| CC-1400 | 11096 | 25.98 | 4050 | 2.17 |

See page 124 for compatible sprockets.

CC 1400 TAB

Case/Crate Conveyor Chains

Standard Length: 10ft. Pitches: 37



Material: White acetal with stainless steel pins.

| Chain Reference | Part Number | Min. Radius | Breaking Load (lbs.) | Weight (lbs. per ft.) |
|-----------------|-------------|-------------|----------------------|-----------------------|
| CC 1400 TAB | 11098 | 25.98 | 4050 | 2.31 |

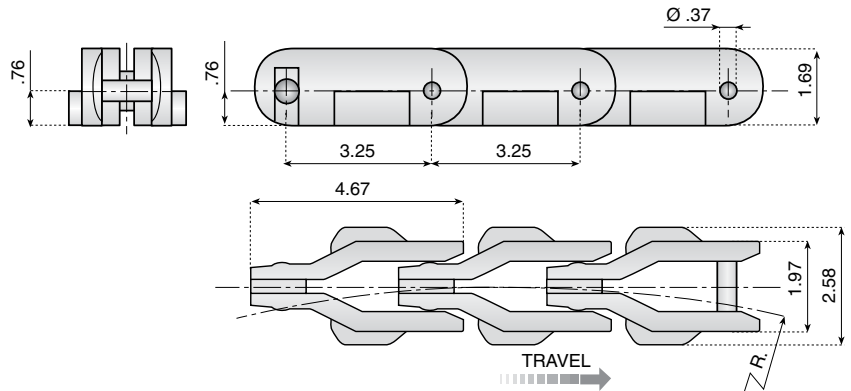
See page 124 for compatible sprockets.

CC 1431 TAB

Case/Crate Conveyor Chains

CC 1431 TAB is similar to CC 1400 Tab, but with a taller link height.

Standard Length: 10ft. Pitches: 37



Material: White acetal with stainless steel pins.

| Chain Reference | Part Number | Min. Radius | Breaking Load (lbs.) | Weight (lbs. per ft.) |
|-----------------|-------------|-------------|----------------------|-----------------------|
| CC 1431 TAB | 11087 | 25.98 | 4050 | 2.31 |

See page 124 for compatible sprockets.

Straight Running Plastic Chains

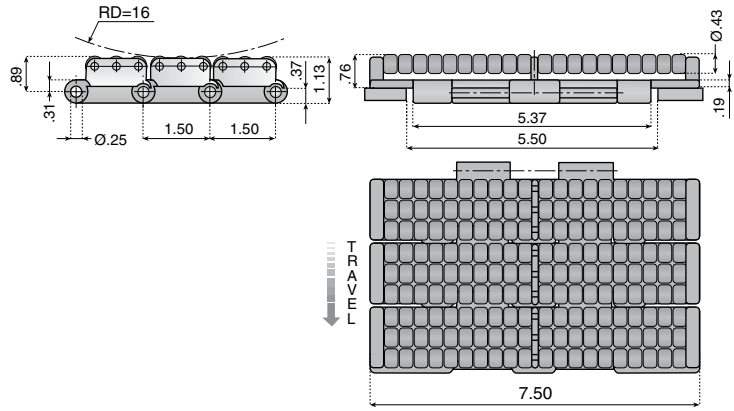
LBP 821

Double Hinge Straight Running Chains with Low Noise Accumulation Rollers

- Heavy duty
- High load
- Low noise rollers
- Reduced back-line pressure

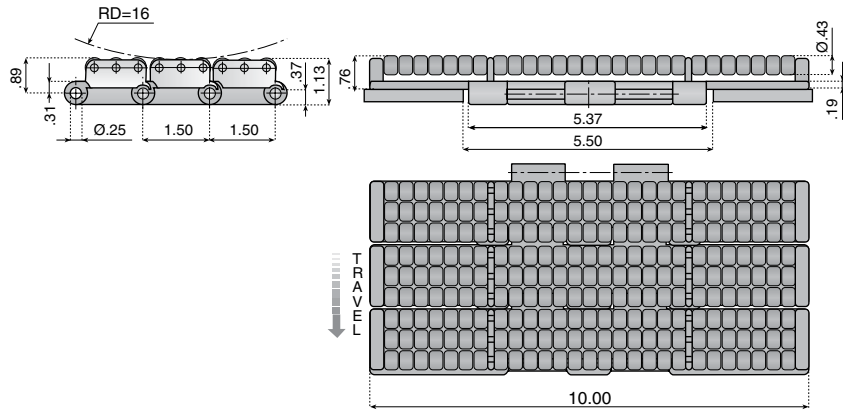
Ideal for the food and beverage industry packaging line and general purpose conveying applications to reduce pressure created between product and flite surface. The small width rollers provide a stable conveying surface and enable the product to be handled without damage, while continuing a positive forward motion.

Standard Length: 5ft.
Pitches: 40



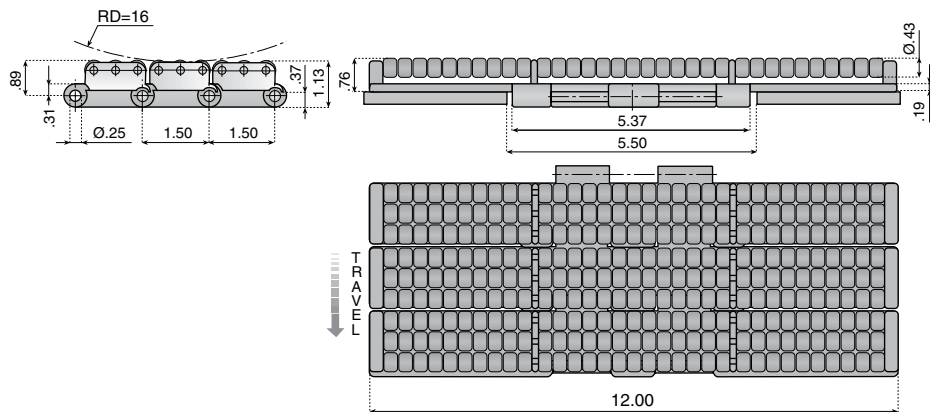
Material: "LFG Dark Grey" Low friction acetal chain.
Water blue acetal resin rollers with austenitic steel pins.

| Chain Reference | Part Number | Breaking Load (lbs.) | L (width) | Weight (lbs./ft.) |
|---------------------|--------------|----------------------|--------------|-------------------|
| LBP 821 K750 | 11055 | 1866 | 7-1/2 | 3.71 |



Material: "LFG Dark Grey" Low friction acetal chain.
Water blue acetal resin rollers with austenitic steel pins.

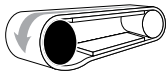
| Chain Reference | Part Number | Breaking Load (lbs.) | L (width) | Weight (lbs./ft.) |
|----------------------|--------------|----------------------|-----------|-------------------|
| LBP 821 K1000 | 11056 | 1866 | 10 | 4.64 |



Material: "LFG Dark Grey" Low friction acetal chain.
Water blue acetal resin rollers with austenitic steel pins.

| Chain Reference | Part Number | Breaking Load (lbs.) | L (width) | Weight (lbs./ft.) |
|----------------------|--------------|----------------------|-----------|-------------------|
| LBP 821 K1200 | 11057 | 1866 | 12 | 5.37 |

Straight Running Plastic Chains



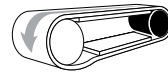
Drive Sprocket Options for LPB 821 Chains



Machined Split

| Shaft Sized Bore Dia. | Teeth or Equivalent | Part Number |
|-----------------------|---------------------|-------------|
| .71* | 21 | 12901 |
| 1 | 21 | 12284S |
| 1-1/4 | 21 | 12285S |
| 1-7/16 | 21 | 12286S |
| 1-1/2 | 21 | 12287S |
| .71* | 23 | 12902 |
| 1 | 23 | 12288S |
| 1-1/4 | 23 | 12289S |
| 1-7/16 | 23 | 12290S |
| 1-1/2 | 23 | 12291S |
| .71* | 25 | 12903 |
| 1 | 25 | 12292S |
| 1-1/4 | 25 | 12293S |
| 1-7/16 | 25 | 12294S |
| 1-1/2 | 25 | 12295S |
| .71* | 27 | 121307 |
| 1 | 27 | 121308S |
| 1-1/4 | 27 | 121309S |
| 1-7/16 | 27 | 121310S |
| 1-1/2 | 27 | 121311S |

*Plain bore pilot hole. Not sized to a shaft.



Idler Options for LPB 821 Chains



Machined

Part Number

| |
|---------|
| - |
| 121329S |
| 121330S |
| 121331S |
| 121332S |
| - |
| 121333S |
| 121334S |
| 121335S |
| 121336S |
| - |
| 121337S |
| 121338S |
| 121339S |
| 121340S |
| - |
| 121341S |
| 121342S |
| 121343S |
| 121344S |

See all sprockets and idlers on pages 101-125

Straight Running Plastic Chains

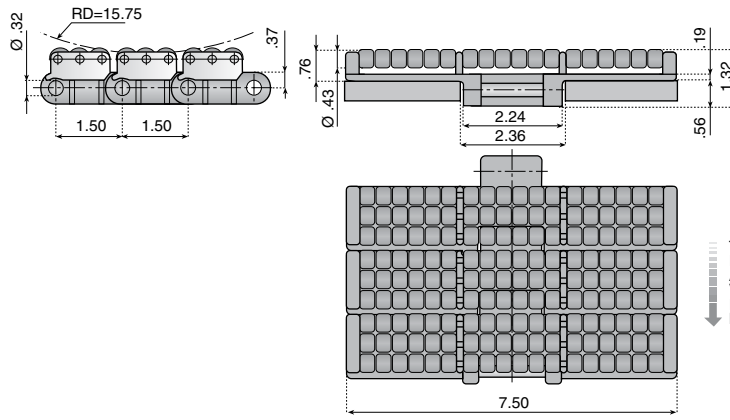
LBP 8257

Heavy Duty Single Hinge Straight Running Chains with Low Noise Accumulation Rollers

- High breaking load
- High load
- Low noise rollers
- Reduced back-line pressure
- Helps standardize conveyor construction
- Same hinge width available in many additional chain types.

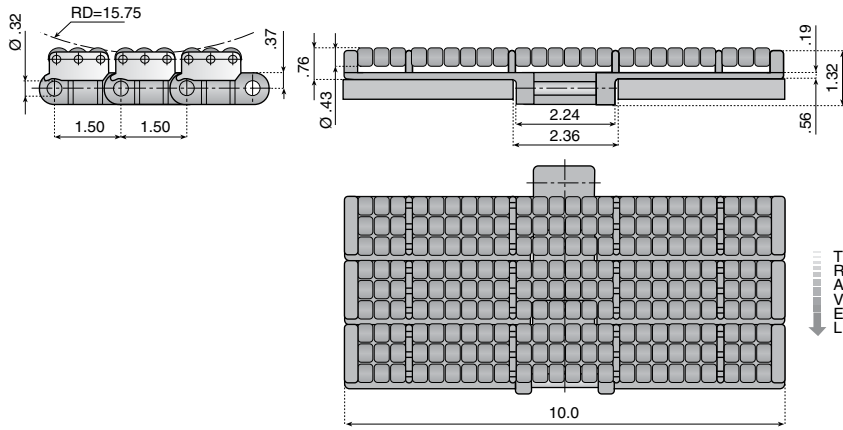
Ideal for the food and beverage industry packaging line and general purpose conveying applications to reduce pressure created between product and flite surface. The small width rollers provide a stable conveying surface and enable the product to be handled without damage, while continuing a positive forward motion.

Standard Length: 5ft.
Pitches: 40



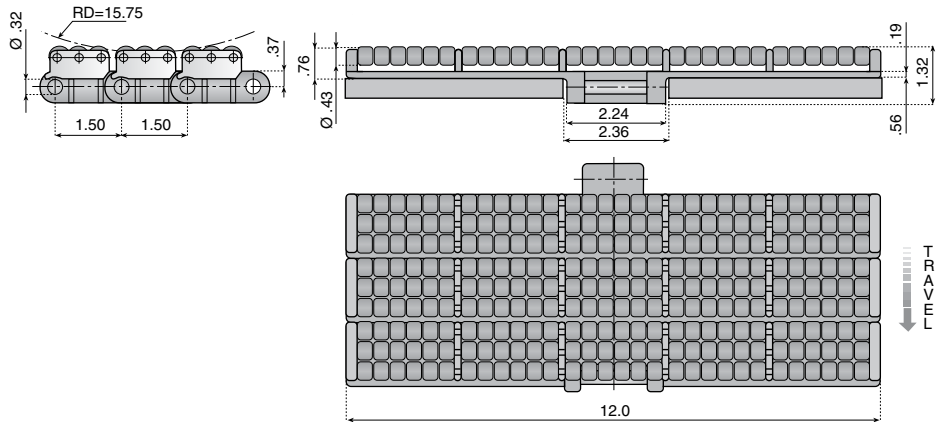
Material: "LFG Dark Grey" Low friction acetal chain.
Water blue acetal resin rollers with austenitic steel pins.

| Chain Reference | Part Number | Breaking Load (lbs.) | L (width) | Weight (lbs./ft.) |
|----------------------|--------------|----------------------|--------------|-------------------|
| LBP 8257 K750 | 11076 | 2250 | 7-1/2 | 3.80 |



Material: "LFG Dark Grey" Low friction acetal chain.
Water blue acetal resin rollers with austenitic steel pins.

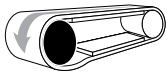
| Chain Reference | Part Number | Breaking Load (lbs.) | L (width) | Weight (lbs./ft.) |
|-----------------------|--------------|----------------------|-----------|-------------------|
| LBP 8257 K1000 | 11077 | 2250 | 10 | 4.84 |



Material: "LFG Dark Grey" Low friction acetal chain.
Water blue acetal resin rollers with austenitic steel pins.

| Chain Reference | Part Number | Breaking Load (lbs.) | L (width) | Weight (lbs./ft.) |
|-----------------------|--------------|----------------------|-----------|-------------------|
| LBP 8257 K1200 | 11078 | 2250 | 12 | 5.44 |

Straight Running Plastic Chains



Drive Sprocket Options for LPB 8257 Chains



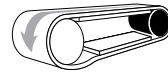
Machined Split



Molded Split

| Shaft Sized Bore Dia. | Teeth or Equivalent | Part Number | Part Number |
|-----------------------|---------------------|-------------|-------------|
| .71* | 9 | 12914 | - |
| 1 | 9 | 12346S | - |
| 1-1/4 | 9 | 12347S | - |
| 1-7/16 | 9 | 12347SK | - |
| 1-1/2 | 9 | 12348S | - |
| .71* | 10 | 12915 | - |
| 1 | 10 | 12349S | 321009 |
| 1-1/4 | 10 | 12350S | 321010 |
| 1-7/16 | 10 | 12350SK | 321011 |
| 1-1/2 | 10 | 12351S | 321012 |
| .71* | 11 | 12916 | - |
| 1 | 11 | 12352S | - |
| 1-1/4 | 11 | 12353S | - |
| 1-7/16 | 11 | 12353SK | - |
| 1-1/2 | 11 | 12354S | - |
| .71* | 12 | 12917 | - |
| 1 | 12 | 12355S | 32114 |
| 1-1/4 | 12 | 12356S | 32115 |
| 1-7/16 | 12 | 12356SK | 32116 |
| 1-1/2 | 12 | 12357S | 32117 |

*Plain bore pilot hole. Not sized to a shaft.



Idler Options for LPB 8257 Chains



Machined Split



Molded Split

| Part Number | Part Number |
|-------------|-------------|
| - | - |
| 121768S | - |
| 121769S | - |
| 121769SK | - |
| 121770S | - |
| - | - |
| 121771S | 321013 |
| 121772S | 321014 |
| 121772SK | 321015 |
| 121773S | 321016 |
| - | - |
| 121774S | - |
| 121775S | - |
| 121775SK | - |
| 121776S | - |
| - | - |
| 121777S | 32119 |
| 121778S | 32120 |
| 121778SK | 32121 |
| 121779S | 32122 |

See all sprockets and idlers on pages 101-125

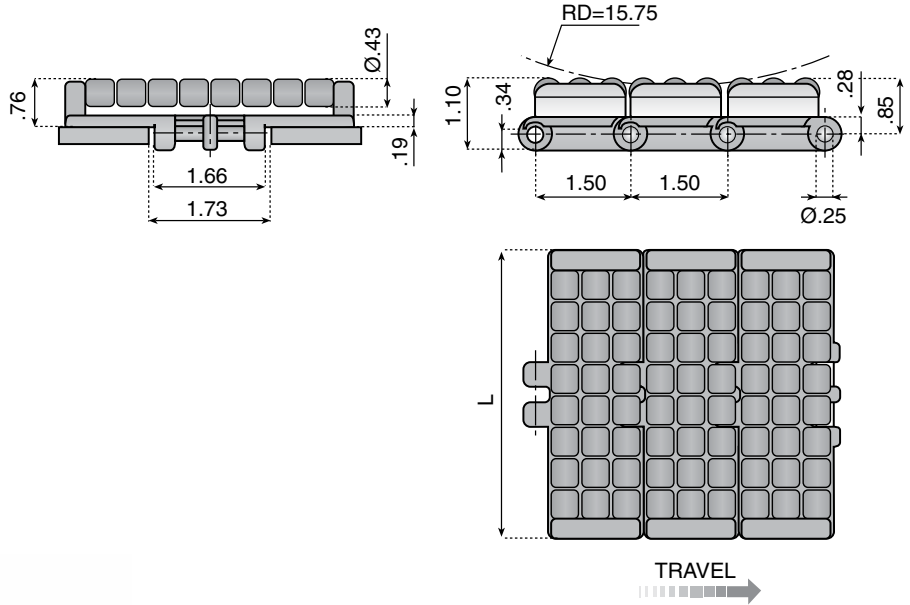
LBP 831

Single Hinge Straight Running Chains with Low Noise Accumulation Rollers

- High load
- Low noise rollers
- Reduced back-line pressure

Ideal for the food and beverage industry packaging line and general purpose conveying applications to reduce pressure created between product and flite surface. The small width rollers provide a stable conveying surface and enables the product to be handled without damage, while continuing a positive forward motion.

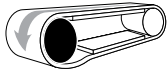
Standard Length: 5ft.
Pitches: 40



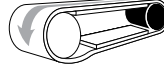
Material: "LFG Dark Grey" Low friction acetal chain.
 Water blue acetal resin rollers with austenitic steel pins.

| Chain Reference | Part Number | Breaking Load (lbs.) | L (width) | Weight (lbs./ft.) |
|---------------------|--------------|----------------------|--------------|-------------------|
| LBP 831 K325 | 11053 | 1124 | 3-1/4 | 1.45 |
| LBP 831 K450 | 11054 | 1124 | 4-1/2 | 1.92 |

Straight Running Plastic Chains



Drive Sprocket Options for LBP 831 Chains



Idler Options for LBP 831 Chains



| Shaft Sized Bore Dia. | Teeth or Equivalent | Drive Sprocket Options | | Idler Options | | | |
|-----------------------|---------------------|----------------------------|--------------------------|----------------------------|--------------------------|---------------------------------|--------------------------|
| | | Machined Split Part Number | Molded Split Part Number | Machined Split Part Number | Molded Split Part Number | Low-Friction Molded Part Number | Molded Split Part Number |
| .71* | 19 | 12961 | - | - | - | - | - |
| 1 | 19 | 12924S | - | 121147S | - | - | - |
| 1-1/4 | 19 | 12925S | - | 121148S | - | - | - |
| 1-7/16 | 19 | 12926S | - | 121149S | - | - | - |
| 1-1/2 | 19 | 12927S | - | 121150S | - | - | - |
| .71* | 21 | 12962 | - | - | - | - | - |
| 1 | 21 | 12928S | 32057 | 121151S | 321095 | 32866 | 32077B |
| 1-1/4 | 21 | 12929S | 32058 | 121152S | 321096 | 32867 | 32078B |
| 1-7/16 | 21 | 12930S | 32059 | 121153S | 321097 | 32868 | 32079B |
| 1-1/2 | 21 | 12931S | 32060 | 121154S | 321098 | 32869 | 32080B |
| .71* | 23 | 12963 | - | - | - | - | - |
| 1 | 23 | 12932S | 32104 | 121155S | 321100 | 32874 | - |
| 1-1/4 | 23 | 12933S | 32105 | 121156S | 321101 | 32875 | - |
| 1-7/16 | 23 | 12934S | 32106 | 121157S | 321102 | 32876 | - |
| 1-1/2 | 23 | 12935S | 32107 | 121158S | 321103 | 32877 | - |
| .71* | 25 | 12964 | - | - | - | - | - |
| 1 | 25 | 12936S | 32069 | 121159S | 321105 | 32870 | 32081B |
| 1-1/4 | 25 | 12937S | 32070 | 121160S | 321106 | 32871 | 32082B |
| 1-7/16 | 25 | 12938S | 32071 | 121161S | 321107 | 32872 | 32083B |
| 1-1/2 | 25 | 12939S | 32072 | 121162S | 321108 | 32873 | 32084B |
| .71* | 27 | 121125 | - | - | - | - | - |
| 1 | 27 | 121126S | - | 121163S | - | - | - |
| 1-1/4 | 27 | 121127S | - | 121164S | - | - | - |
| 1-7/16 | 27 | 121128S | - | 121165S | - | - | - |
| 1-1/2 | 27 | 121129S | - | 121166S | - | - | - |

*Plain bore pilot hole. Not sized to a shaft.

See all sprockets and idlers on pages 101-125

Side Flexing Plastic Chains

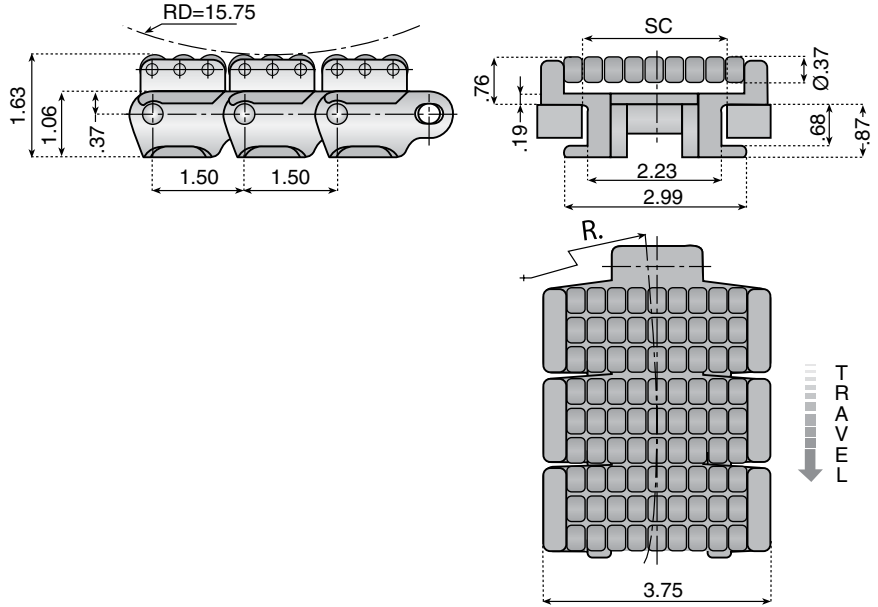
LBP 882 TAB

Side Flexing Chains with Low Noise Accumulation Rollers

- High load
- Low friction rollers
- Low noise rollers

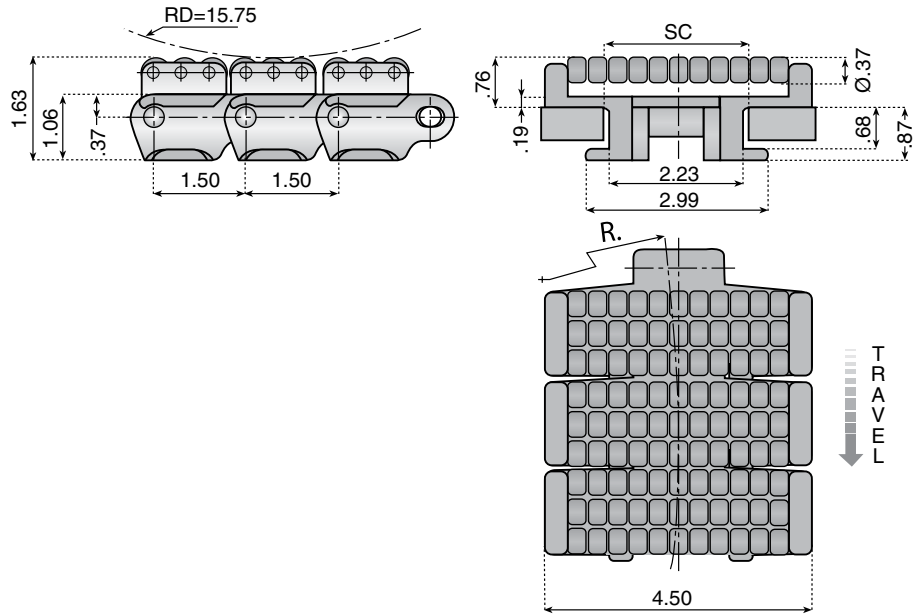
Ideal for the food and beverage industry packaging line and general purpose conveying applications to reduce pressure created between product and flite surface. The small width rollers provide a stable conveying surface and enable the product to be handled without damage, while continuing a positive forward motion.

Standard Length: 5ft.
Pitches: 40



Material: "LFG Grey" Low friction acetal chain. Water blue acetal resin rollers with austenitic steel pins.

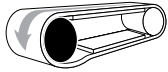
| Chain Reference | Part Number | Breaking Load (lbs.) | L (width) | R Min. | SC Straight | SC Curved | Weight (lbs. per ft.) |
|-------------------------|--------------|----------------------|--------------|-----------|-------------|-------------|-----------------------|
| LBP 882 TAB K375 | 11070 | 2248 | 3-3/4 | 24 | 2.36 | 2.28 | 2.22 |



Material: "LFG Grey" Low friction acetal chain. Water blue acetal resin rollers with austenitic steel pins.

| Chain Reference | Part Number | Breaking Load (lbs.) | L (width) | R Min. | SC Straight | SC Curved | Weight (lbs. per ft.) |
|-------------------------|--------------|----------------------|--------------|-----------|-------------|-------------|-----------------------|
| LBP 882 TAB K450 | 11071 | 2248 | 4-1/2 | 24 | 2.36 | 2.28 | 2.71 |

Side Flexing Plastic Chains



Drive Sprocket Options for LPB 882 TAB Chains



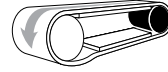
Machined Split



Molded Split

| Shaft Sized Bore Dia. | Teeth or Equivalent | Part Number | Part Number |
|-----------------------|---------------------|-------------|-------------|
| .71* | 9 | 12914 | - |
| 1 | 9 | 12346S | - |
| 1-1/4 | 9 | 12347S | - |
| 1-7/16 | 9 | 12347SK | - |
| 1-1/2 | 9 | 12348S | - |
| .71* | 10 | 12915 | - |
| 1 | 10 | 12349S | 321009 |
| 1-1/4 | 10 | 12350S | 321010 |
| 1-7/16 | 10 | 12350SK | 321011 |
| 1-1/2 | 10 | 12351S | 321012 |
| .71* | 11 | 12916 | - |
| 1 | 11 | 12352S | - |
| 1-1/4 | 11 | 12353S | - |
| 1-7/16 | 11 | 12353SK | - |
| 1-1/2 | 11 | 12354S | - |
| .71* | 12 | 12917 | - |
| 1 | 12 | 12355S | 32114 |
| 1-1/4 | 12 | 12356S | 32115 |
| 1-7/16 | 12 | 12356SK | 32116 |
| 1-1/2 | 12 | 12357S | 32117 |

*Plain bore pilot hole. Not sized to a shaft.



Idler Options for LPB 882 TAB Chains



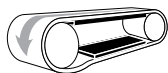
Machined Split



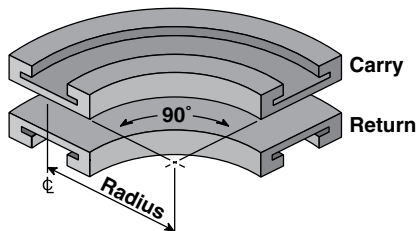
Molded Split

| Part Number | Part Number |
|-------------|-------------|
| - | - |
| 121768S | - |
| 121769S | - |
| 121769SK | - |
| 121770S | - |
| - | - |
| 121771S | 321013 |
| 121772S | 321014 |
| 121772SK | 321015 |
| 121773S | 321016 |
| - | - |
| 121774S | - |
| 121775S | - |
| 121775SK | - |
| 121776S | - |
| - | - |
| 121777S | 32119 |
| 121778S | 32120 |
| 121778SK | 32121 |
| 121779S | 32122 |

See all sprockets and idlers on pages 101-125

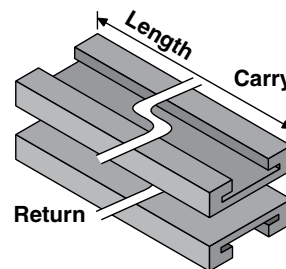


Track Options for LPB 882 TAB Chains



Corner Track

| Part Number | Track Width | Radius (inches) |
|------------------|-------------|-----------------|
| VT-982-T-24-0450 | 5.0 | 24 |



Straight Track

| Part Number | Track Width | Length (feet) |
|--------------------|-------------|---------------|
| VT-982-T-S-0450-3 | 5.0 | 3 |
| VT-982-T-S-0450-6 | 5.0 | 6 |
| VT-982-T-S-0450-10 | 5.0 | 10 |

See all ValuTrac modules on pages 130-145

Side Flexing Plastic Chains

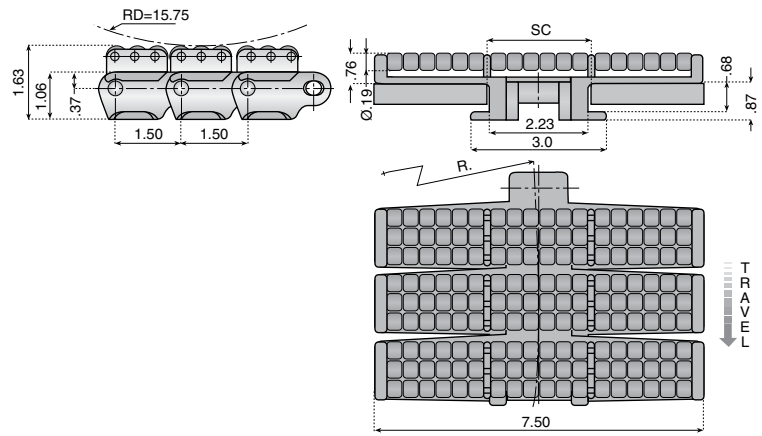
LBP 882 TAB (cont.)

Side Flexing Chains with Low Noise Accumulation Rollers

- High load
- Low friction rollers
- Low noise rollers

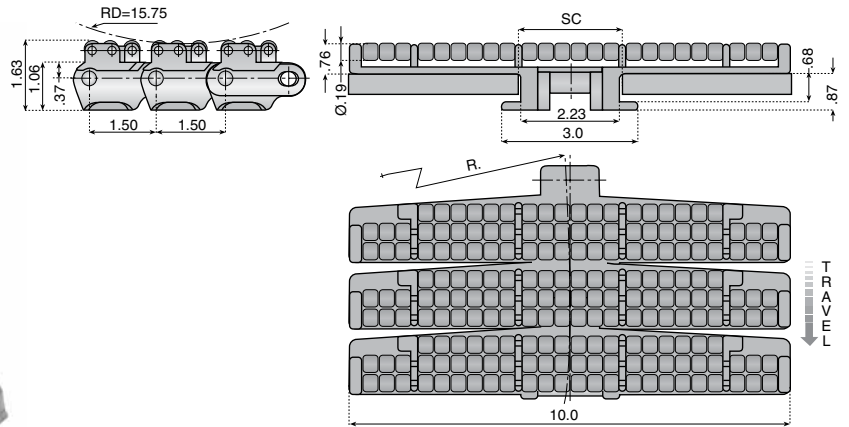
Ideal for the food and beverage industry packaging lines and general purpose conveying applications to reduce pressure created between product and flite surface. The small width rollers provide a stable conveying surface and enable the product to be handled without damage, while continuing a positive forward motion.

Standard Length: 5ft.
Pitches: 40



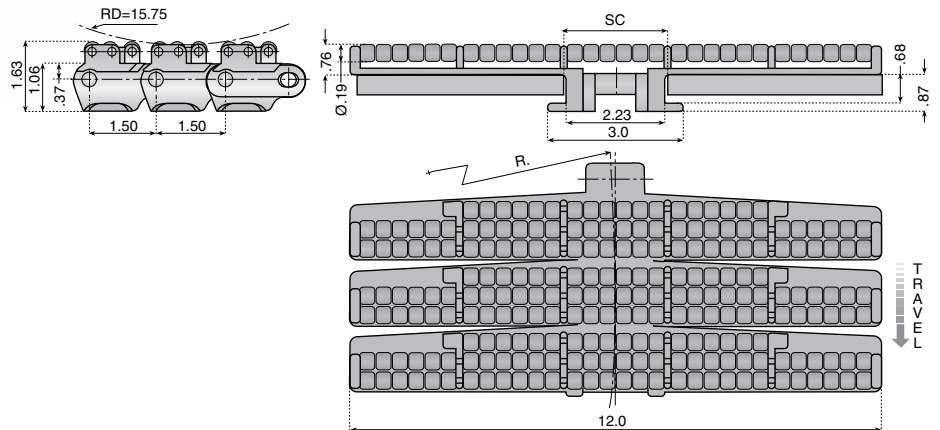
Material: "LFG Grey" Low friction acetal chain. Water blue acetal resin rollers with austenitic steel pins.

| Chain Reference | Part Number | Breaking Load (lbs.) | L (width) | R Min. | SC Straight | SC Curved | Weight (lbs. per ft.) |
|-------------------------|--------------|----------------------|--------------|-----------|-------------|-------------|-----------------------|
| LBP 882 TAB K750 | 11072 | 2248 | 7-1/2 | 24 | 2.40 | 2.36 | 3.16 |



Material: "LFG Grey" Low friction acetal chain. Water blue acetal resin rollers with austenitic steel pins.

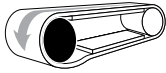
| Chain Reference | Part Number | Breaking Load (lbs.) | L (width) | R Min. | SC Straight | SC Curved | Weight (lbs. per ft.) |
|--------------------------|--------------|----------------------|-----------|-----------|-------------|-------------|-----------------------|
| LBP 882 TAB K1000 | 11069 | 2248 | 10 | 24 | 2.40 | 2.36 | 3.97 |



Material: "LFG Grey" Low friction acetal chain. Water blue acetal resin rollers with austenitic steel pins.

| Chain Reference | Part Number | Breaking Load (lbs.) | L (width) | R Min. | SC Straight | SC Curved | Weight (lbs. per ft.) |
|--------------------------|--------------|----------------------|-----------|-----------|-------------|-------------|-----------------------|
| LBP 882 TAB K1200 | 11068 | 2248 | 12 | 24 | 2.40 | 2.36 | 4.37 |

Side Flexing Plastic Chains



Drive Sprocket Options for LPB 882 TAB Chains

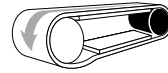


Machined Split

Molded Split

| Shaft Sized Bore Dia. | Teeth or Equivalent | Part Number | Part Number |
|-----------------------|---------------------|-------------|-------------|
| .71* | 9 | 12914 | - |
| 1 | 9 | 12346S | - |
| 1-1/4 | 9 | 12347S | - |
| 1-7/16 | 9 | 12347SK | - |
| 1-1/2 | 9 | 12348S | - |
| .71* | 10 | 12915 | - |
| 1 | 10 | 12349S | 321009 |
| 1-1/4 | 10 | 12350S | 321010 |
| 1-7/16 | 10 | 12350SK | 321011 |
| 1-1/2 | 10 | 12351S | 321012 |
| .71* | 11 | 12916 | - |
| 1 | 11 | 12352S | - |
| 1-1/4 | 11 | 12353S | - |
| 1-7/16 | 11 | 12353SK | - |
| 1-1/2 | 11 | 12354S | - |
| .71* | 12 | 12917 | - |
| 1 | 12 | 12355S | 32114 |
| 1-1/4 | 12 | 12356S | 32115 |
| 1-7/16 | 12 | 12356SK | 32116 |
| 1-1/2 | 12 | 12357S | 32117 |

*Plain bore pilot hole. Not sized to a shaft.



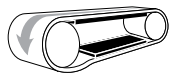
Idler Options for LPB 882 TAB Chains



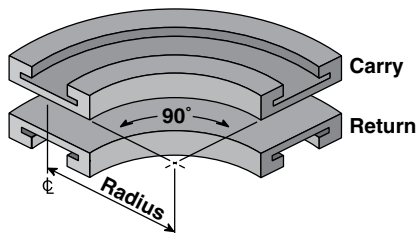
Machined Split

Molded Split

| Part Number | Part Number |
|-------------|-------------|
| - | - |
| 121768S | - |
| 121769S | - |
| 121769SK | - |
| 121770S | - |
| - | - |
| 121771S | 321013 |
| 121772S | 321014 |
| 121772SK | 321015 |
| 121773S | 321016 |
| - | - |
| 121774S | - |
| 121775S | - |
| 121775SK | - |
| 121776S | - |
| - | - |
| 121777S | 32119 |
| 121778S | 32120 |
| 121778SK | 32121 |
| 121779S | 32122 |

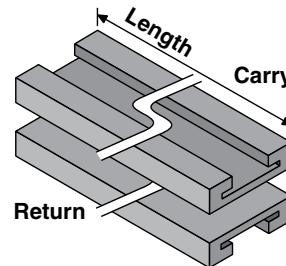


Track Options for LPB 882 TAB Chains



Corner Track

| Part Number | Track Width | Radius (inches) |
|------------------|-------------|-----------------|
| VT-982-T-24-0750 | 8.0 | 24 |
| VT-982-T-24-1000 | 10.5 | 24 |
| VT-982-T-24-1200 | 12.5 | 24 |



Straight Track

| Part Number | Track Width | Length (feet) |
|--------------------|-------------|---------------|
| VT-982-T-S-0750-3 | 8.0 | 3 |
| VT-982-T-S-0750-6 | 8.0 | 6 |
| VT-982-T-S-0750-10 | 8.0 | 10 |
| VT-982-T-S-1000-3 | 10.5 | 3 |
| VT-982-T-S-1000-6 | 10.5 | 6 |
| VT-982-T-S-1000-10 | 10.5 | 10 |
| VT-982-T-S-1200-6 | 12.5 | 6 |
| VT-982-T-S-1200-10 | 12.5 | 10 |

See all sprockets and idlers on pages 101-125

See all ValuTrac modules on pages 130-145

Side Flexing Plastic Chains

LBP 882 M

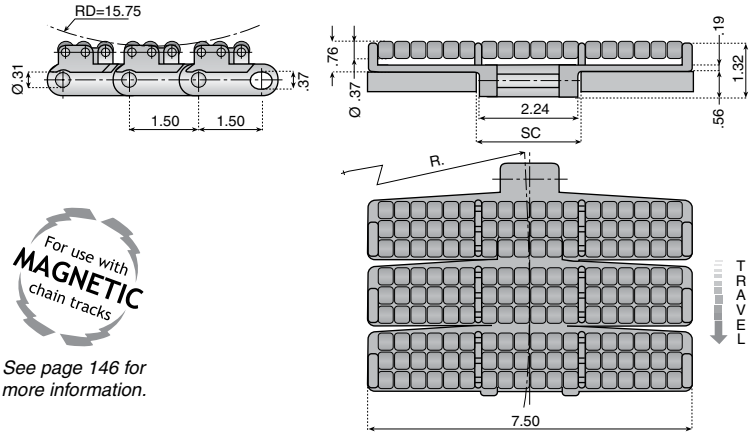
Magnetic Side Flexing Chains with Low Noise Accumulation Rollers

- High load
- Low friction, low noise rollers
- Pin roller support added to maintain a flat and consistent carrying surface
- Easy maintenance

Series LBP 882 M is securely retained in the curve by magnets embedded in the chain track material. There are no tabs or bevels on these chains, so they can be easily removed for maintenance or cleaning, without dismantling the chain.

Ideal for the food and beverage industry packaging lines and general purpose conveying applications to reduce pressure created between product and flite surface. The small width rollers provide a stable conveying surface and enable the product to be handled without damage, while continuing a positive forward motion.

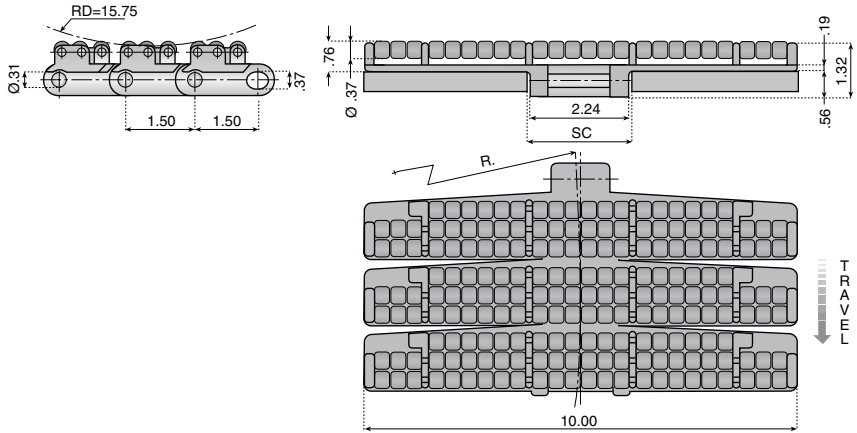
Standard Length: 10ft.
Pitches: 40



See page 146 for more information.

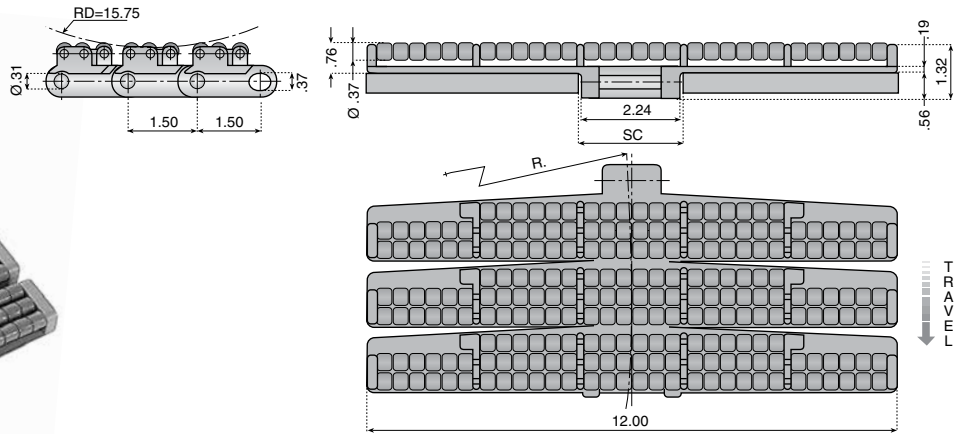
Material: "LFG Grey" Low friction acetal chain. Water blue acetal resin rollers with austenitic steel pins.

| Chain Reference | Part Number | Breaking Load (lbs.) | L (width) | R Min. | SC Straight | SC Curved | Weight (lbs. per ft.) |
|-----------------------|--------------|----------------------|--------------|-----------|-------------|-------------|-----------------------|
| LBP 882 M K750 | 11073 | 2248 | 7-1/2 | 24 | 2.40 | 2.36 | 2.62 |



Material: "LFG Grey" Low friction acetal chain. Water blue acetal resin rollers with austenitic steel pins.

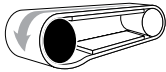
| Chain Reference | Part Number | Breaking Load (lbs.) | L (width) | R Min. | SC Straight | SC Curved | Weight (lbs. per ft.) |
|------------------------|--------------|----------------------|-----------|-----------|-------------|-------------|-----------------------|
| LBP 882 M K1000 | 11074 | 2248 | 10 | 24 | 2.40 | 2.36 | 3.33 |



Material: "LFG Grey" Low friction acetal chain. Water blue acetal resin rollers with austenitic steel pins.

| Chain Reference | Part Number | Breaking Load (lbs.) | L (width) | R Min. | SC Straight | SC Curved | Weight (lbs. per ft.) |
|------------------------|--------------|----------------------|-----------|-----------|-------------|-------------|-----------------------|
| LBP 882 M K1200 | 11075 | 2248 | 12 | 24 | 2.40 | 2.36 | 3.93 |

Side Flexing Plastic Chains



Drive Sprocket Options for LPB 882 M Chains



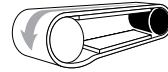
Machined Split



Molded Split

| Shaft Sized Bore Dia. | Teeth or Equivalent | Part Number | Part Number |
|-----------------------|---------------------|-------------|-------------|
| .71* | 9 | 12914 | - |
| 1 | 9 | 12346S | - |
| 1-1/4 | 9 | 12347S | - |
| 1-7/16 | 9 | 12347SK | - |
| 1-1/2 | 9 | 12348S | - |
| .71* | 10 | 12915 | - |
| 1 | 10 | 12349S | 321009 |
| 1-1/4 | 10 | 12350S | 321010 |
| 1-7/16 | 10 | 12350SK | 321011 |
| 1-1/2 | 10 | 12351S | 321012 |
| .71* | 11 | 12916 | - |
| 1 | 11 | 12352S | - |
| 1-1/4 | 11 | 12353S | - |
| 1-7/16 | 11 | 12353SK | - |
| 1-1/2 | 11 | 12354S | - |
| .71* | 12 | 12917 | - |
| 1 | 12 | 12355S | 32114 |
| 1-1/4 | 12 | 12356S | 32115 |
| 1-7/16 | 12 | 12356SK | 32116 |
| 1-1/2 | 12 | 12357S | 32117 |

*Plain bore pilot hole. Not sized to a shaft.



Idler Options for LPB 882 M Chains



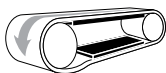
Machined Split



Molded Split

| Part Number | Part Number |
|-------------|-------------|
| - | - |
| 121768S | - |
| 121769S | - |
| 121769SK | - |
| 121770S | - |
| - | - |
| 121771S | 321013 |
| 121772S | 321014 |
| 121772SK | 321015 |
| 121773S | 321016 |
| - | - |
| 121774S | - |
| 121775S | - |
| 121775SK | - |
| 121776S | - |
| - | - |
| 121777S | 32119 |
| 121778S | 32120 |
| 121778SK | 32121 |
| 121779S | 32122 |

See all sprockets and idlers on pages 101-125



Track Options for LPB 882 M Chains

Magnetic corner tracks for these chains are available. Please see the complete System Plast Conveyor Chains catalog for details or contact our Engineering Department.

Side Flexing Plastic Chains

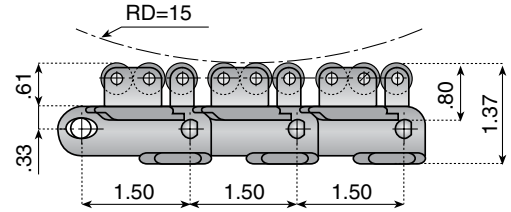
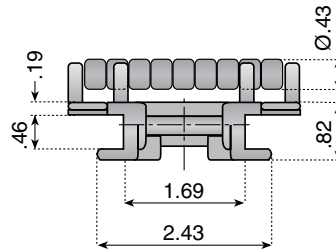
LBP 878 TAB

Side Flexing Chains with Low Noise Accumulation Rollers

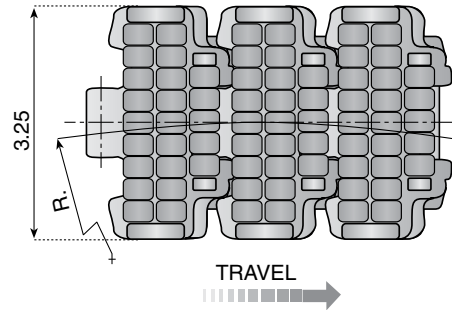
- Small sideflexing radius of 7-7/8 inches
- Low friction rollers
- Low noise rollers
- Preferred with turn discs

Ideal for the food and beverage industry packaging line (PET bottle packs in heat shrink film) and general purpose conveying applications to reduce pressure created between product and flite surface. The small width rollers provide a stable conveying surface and enable the product to be handled without damage, while continuing a positive forward motion.

Standard Length: 5ft.
Pitches: 40

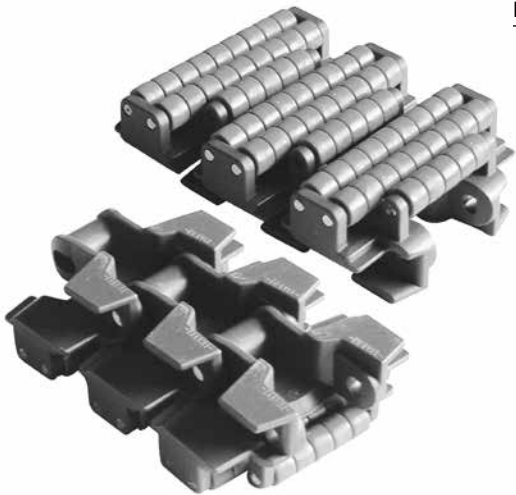


**7 7/8 inch
side flexing radius!**

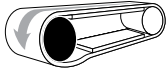


Material: "LFG Grey" Low friction acetal chain. Water blue acetal resin rollers.

| Chain Reference | Part Number | Breaking Load (lbs.) | L (width) | R Min. | SC Straight | SC Curved | Weight (lbs. per ft.) |
|------------------|-------------|----------------------|-----------|--------|-------------|-----------|-----------------------|
| LBP 878 TAB K325 | 11388 | 1349 | 3-1/4 | 7.87 | 1.81 | 1.77 | 2.15 |



Side Flexing Plastic Chains



Drive Sprocket Options for LPB 878 TAB Chains



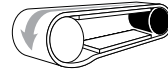
Machined Split



Molded Split

| Shaft Sized Bore Dia. | Teeth or Equivalent | Part Number | Part Number |
|-----------------------|---------------------|-------------|-------------|
| .71* | 9 | 12910 | - |
| 1 | 9 | 12382S | - |
| 1-1/4 | 9 | 12383S | - |
| 1-7/16 | 9 | 12384S | - |
| 1-1/2 | 9 | 12385S | - |
| .71* | 10 | 12911 | - |
| 1 | 10 | 12386S | 321001 |
| 1-1/4 | 10 | 12387S | 321002 |
| 1-7/16 | 10 | 12388S | 321003 |
| 1-1/2 | 10 | 12389S | 321004 |
| .71* | 11 | 12912 | - |
| 1 | 11 | 12390S | - |
| 1-1/4 | 11 | 12391S | - |
| 1-7/16 | 11 | 12392S | - |
| 1-1/2 | 11 | 12393S | - |
| .71* | 12 | 12913 | - |
| 1 | 12 | 12394S | 32400 |
| 1-1/4 | 12 | 12395S | 32711 |
| 1-7/16 | 12 | 12396S | 32401 |
| 1-1/2 | 12 | 12397S | 32402 |

*Plain bore pilot hole. Not sized to a shaft.



Idler Options for LPB 878 TAB Chains



Machined Split



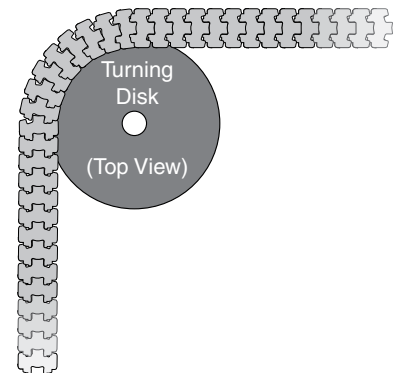
Molded Split

| Part Number | Part Number |
|-------------|-------------|
| - | - |
| 121752S | - |
| 121753S | - |
| 121754S | - |
| 121755S | - |
| - | - |
| 121756S | 321005 |
| 121757S | 321006 |
| 121758S | 321007 |
| 121759S | 321008 |
| - | - |
| 121760S | - |
| 121761S | - |
| 121762S | - |
| 121763S | - |
| - | - |
| 121764S | 32403 |
| 121765S | 32404 |
| 121766S | 32405 |
| 121767S | 32406 |

See all sprockets and idlers on pages 101-125

Improved Turning Disk Designs!

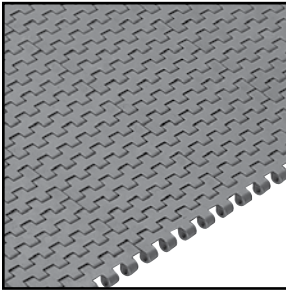
These chains can also use horizontal disks, ideal for numerous curves or alpine applications. See page 126 for complete details.



FT series Flat Top belts

Benefits and Features

- Easy installation and maintenance
- High mechanical strength and wear resistance
- Excellent product handling
- High performance



Material name: **LFG** Low Friction Acetal Resin

It is identical to the delrin acetal material and offers an improved coefficient of friction. This material is suitable for use in high speed applications.

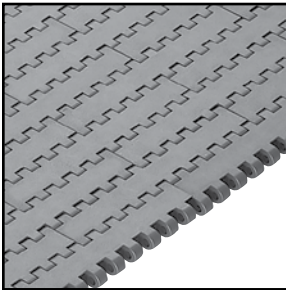
Operating temperatures:

dry: - 40°F to + 176°F

wet: 32°F to +149°F

Color: Dark Grey

This material is FDA (Food and Drug Administration) approved for direct contact with food.



Material name: **XPG** Extra Performance

Extra performance acetal with a very low coefficient of friction compared to other LF materials. Suitable for high speed applications and reduced lubrication. Equivalent to other manufacturer's high performance materials.

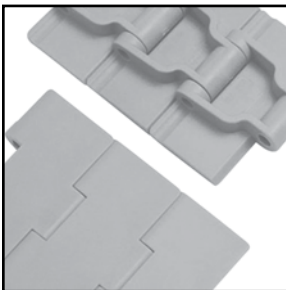
Operating temperatures:

dry: - 40°F to + 176°F

wet: 32°F to +149°F

Color: Dark Brown

This material is FDA (Food and Drug Administration) approved for direct contact with food.



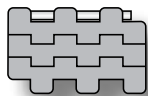
Material name: **NG** New Generation

Extra performance PBT with the lowest coefficient of friction in our range, resulting in medium strength and optimum wear resistance, along with reduced plate wear and reduced pitch elongation. Suitable for dry running applications. NG material should not be exposed to high humidity levels or wet conditions at temperatures above 140°F. Available in flat top chain exclusively from System Plast .

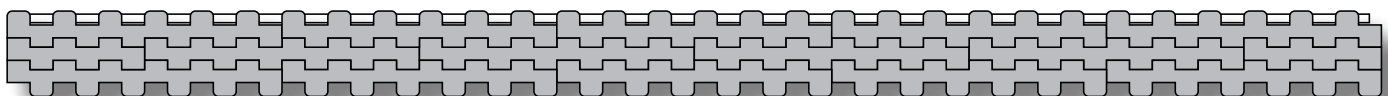
Operating temperatures:

up to 248°F

Color: Light Grey



Belt widths from 3 inches to 10 feet!

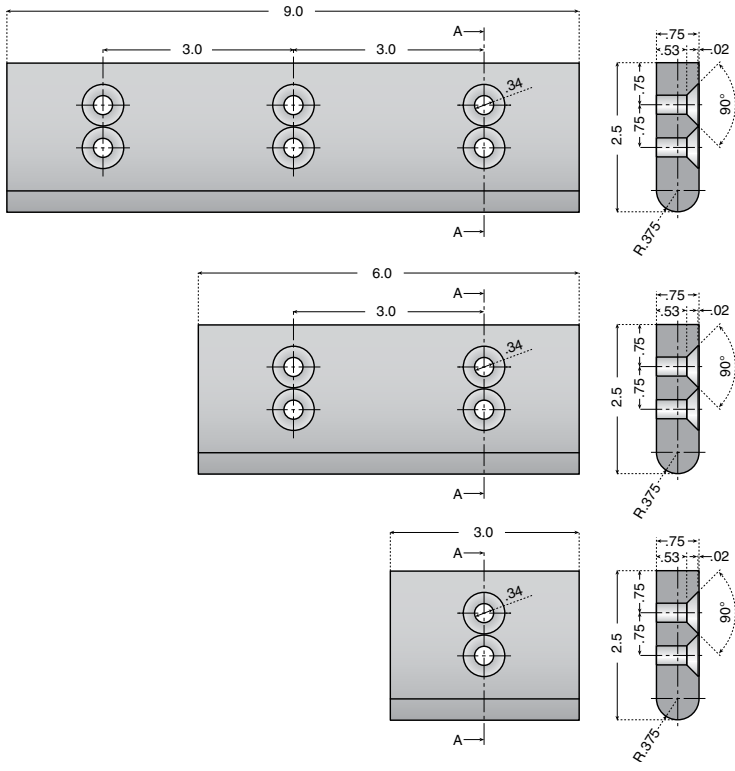


Nose Bars

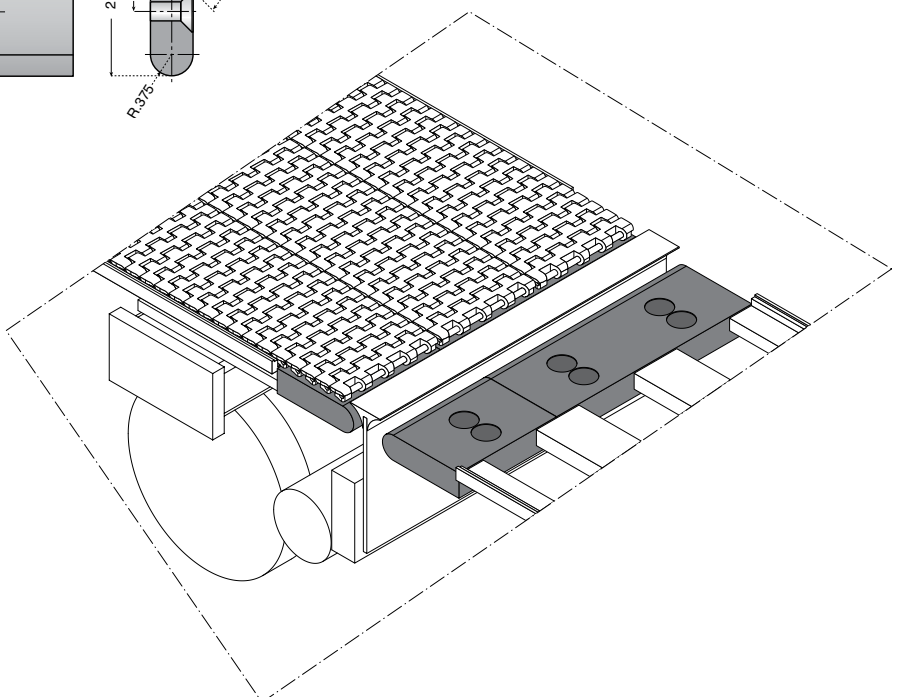
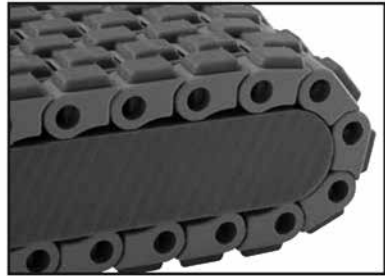
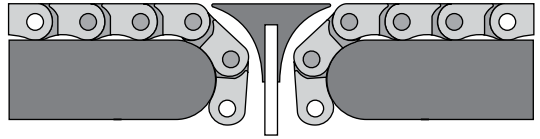
for 2121 Series Belts

The design of 2121 series belts and these nose bars allow the creation of extremely short transfers.

For delivery information, contact customer service.



| Material: Nolu-SR | | | |
|-------------------|-------|--------|--------|
| Part Number | Width | Height | Radius |
| 14143A | 3.0 | .75 | .375 |
| 14144A | 6.0 | .75 | .375 |
| 14145A | 9.0 | .75 | .375 |



Flat Top Belts

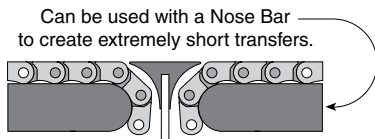
2121

Straight Running Belts with Single Piece Widths

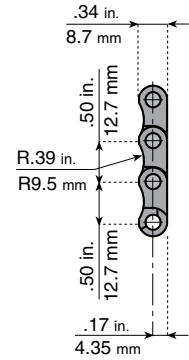
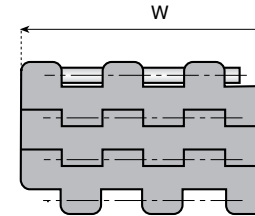
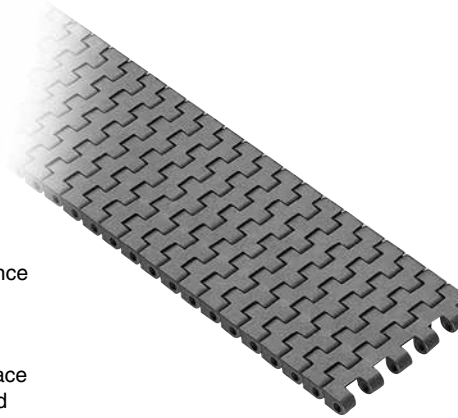
- 1/2 inch pitch
- .34 (11/32) inch height
- Easy installation and maintenance
- High mechanical strength and wear resistance
- No gaps between parallel chains
- Excellent product handling

System Plast Flat Top Belts have a solid surface that makes them suitable for glass bottles and PET bottles, especially those with low contact area bases.

Standard Length: 10ft.
Pitches: 240



See page 75



For delivery information, contact customer service.

Material: "LFG Dark Grey" Low friction acetal chain. White PBT pins.

| Chain Reference | Part Number | W (width) | Pitch | Backflex Radius | Max Load* (lbs. per ft.) | Weight (lbs. per sq. ft.) |
|-----------------|-------------|-----------|-------|-----------------|--------------------------|---------------------------|
| LFG2121FT-K300 | 26050 | 3 | .50 | .40 | 1370 | 1.36 |
| LFG2121FT-K325 | 26051 | 3-1/4 | .50 | .40 | 1370 | 1.36 |
| LFG2121FT-K450 | 26052 | 4-1/2 | .50 | .40 | 1370 | 1.36 |
| LFG2121FT-K600 | 26053 | 6 | .50 | .40 | 1370 | 1.36 |
| LFG2121FT-K750 | 26054 | 7-1/2 | .50 | .40 | 1370 | 1.36 |

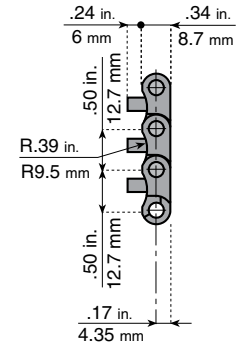
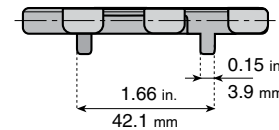
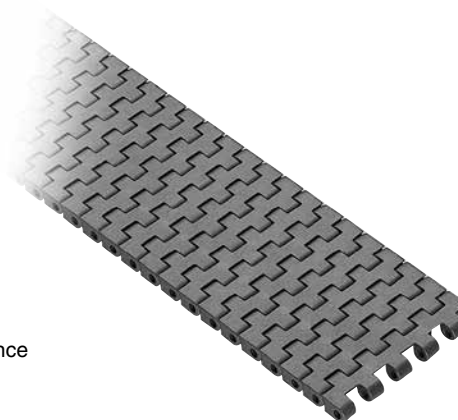
*Max. load changes according to belt width. Example: max. load for a 6 inch wide belt is half of the lbs. per foot figure shown.

Straight Running Belts with Single Piece Widths and Two Positioners

- 1/2 inch pitch
- .34 (11/32) inch height
- Easy installation and maintenance
- High mechanical strength and wear resistance
- No gaps between parallel chains
- Excellent product handling

System Plast Flat Top Belts have a solid surface that makes them suitable for glass bottles and PET bottles, especially those with low contact area bases.

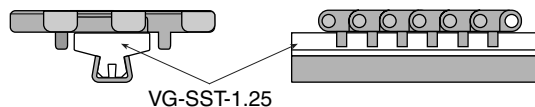
Standard Length: 10ft.
Pitches: 240



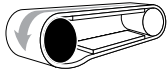
Material: "LFG Dark Grey" Low friction acetal chain. White PBT pins.

| Chain Reference | Part Number | W (width) | Pitch | Backflex Radius | Max Load* (lbs. per ft.) | Weight (lbs. per sq. ft.) |
|-------------------|-------------|-----------|-------|-----------------|--------------------------|---------------------------|
| LFG2121FT-PT-K300 | 26055 | 3 | .50 | .40 | 1370 | 1.36 |
| LFG2121FT-PT-K325 | 26056 | 3-1/4 | .50 | .40 | 1370 | 1.36 |
| LFG2121FT-PT-K450 | 26057 | 4-1/2 | .50 | .40 | 1370 | 1.36 |
| LFG2121FT-PT-K600 | 26058 | 6 | .50 | .40 | 1370 | 1.36 |
| LFG2121FT-PT-K750 | 26059 | 7-1/2 | .50 | .40 | 1370 | 1.36 |

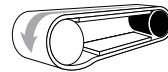
*Max. load changes according to belt width. Example: max. load for a 6 inch wide belt is half of the lbs. per foot figure shown.



Flat Top Belts



Drive Sprocket Options for 2121 Flat Top Belts



Idler Options for 2121 Flat Top Belts

| Shaft Sized Bore Dia. | Teeth or Equivalent | Machined | | Machined Split | |
|-----------------------|---------------------|-------------|-------------|----------------|-------------|
| | | Part Number | Part Number | Part Number | Part Number |
| .71* | 16 | 125500GV | - | 125500GV | - |
| 1 | 16 | 125500VS | - | 125500RIVS | - |
| 1-1/4 | 16 | 125501VS | - | 125501RIVS | - |
| .71* | 20 | 125502GV | - | 125502GV | - |
| 1 | 20 | 125502VS | - | 125502RIVS | - |
| 1-1/4 | 20 | 125503VS | - | 125503RIVS | - |
| 1-7/16 | 20 | 125504VS | - | 125504RIVS | - |
| 1-1/2 | 20 | 125505VS | - | 125505RIVS | - |
| .71* | 24 | 125506GV | - | 125506GV | - |
| 1 | 24 | 125506VS | - | 125506RIVS | - |
| 1-1/4 | 24 | 125507VS | - | 125507RIVS | - |
| 1-7/16 | 24 | 125508VS | - | 125508RIVS | - |
| 1-1/2 | 24 | 125509VS | - | 125509RIVS | - |
| .71* | 28 | 125510GV | 125600GV | 125510GV | 125600GV |
| 1 | 28 | 125510VS | 125600VS | 125510RIVS | 125600RIVS |
| 1-1/4 | 28 | 125511VS | 125601VS | 125511RIVS | 125601RIVS |
| 1-7/16 | 28 | 125512VS | 125602VS | 125512RIVS | 125602RIVS |
| 1-1/2 | 28 | 125513VS | 125603VS | 125513RIVS | 125603RIVS |

*Plain bore pilot hole. Not sized to a shaft.



Molded Single Key



Molded Double Key



Molded Square Shaft



Molded Split

| Shaft Sized Bore Dia. | Teeth or Equivalent | Part Number | Part Number | Part Number | Part Number |
|-----------------------|---------------------|-------------|-------------|-------------|-------------|
| 1-1/4 | 24 | 123190VS | 123193VS | - | 123197VS |
| 1-7/16 | 24 | 123191VS | 123194VS | - | 123198VS |
| 1-1/2 | 24 | 123192VS | 123195VS | - | 123199VS |
| 1-1/2 x 1-1/2 sq. | 28 | - | - | 123009VS | - |
| 1-1/4 | 28 | 123000VS | 123004VS | - | 123010VS |
| 1-7/16 | 28 | 123001VS | 123005VS | - | 123011VS |
| 1-1/2 | 28 | 123002VS | 123006VS | - | 123012VS |
| 1-3/4 | 28 | 123003VS | 123007VS | - | 123013VS |

For delivery information, contact customer service.

See all sprockets and idlers on pages 101-125

Flat Top Belts

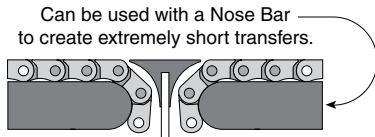
2121 FT

Straight Running Belts with Combined Piece Widths

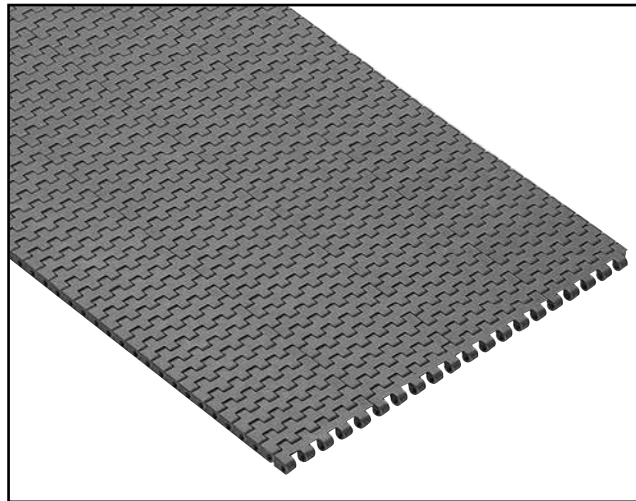
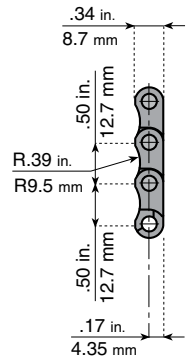
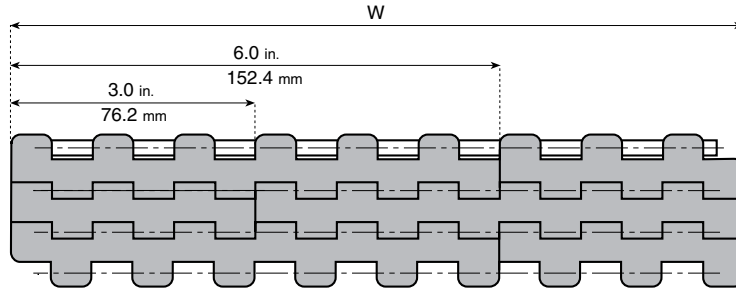
- 1/2 inch pitch
- .34 (11/32) inch height
- Easy installation and maintenance
- High mechanical strength and wear resistance
- No gaps between parallel chains
- Excellent product handling

System Plast Flat Top Belts have a solid surface that makes them suitable for glass bottles and PET bottles, especially those with low contact area bases.

Standard Length: 10ft.
Pitches: 240



See page 75



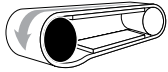
For delivery information, contact customer service.

Material: "LFG Dark Grey" Low friction acetal chain. White PBT pins. For "XP Dark Brown" material, add "XPG" to the end of the part number, example: **261102XPG**.

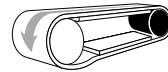
| Chain Reference | Part Number | Width (in.) | Backflex Radius | Max Load* (lbs. per ft.) | Weight (lbs. per sq. ft.) |
|-----------------|-------------|-------------|-----------------|--------------------------|---------------------------|
| LFG2121FT-K900 | 261102 | 9 | .40 | 1370 | 1.36 |
| LFG2121FT-K1200 | 261103 | 12 | .40 | 1370 | 1.36 |
| LFG2121FT-K1500 | 261104 | 15 | .40 | 1370 | 1.36 |
| LFG2121FT-K1800 | 261105 | 18 | .40 | 1370 | 1.36 |
| LFG2121FT-K2100 | 261106 | 21 | .40 | 1370 | 1.36 |
| LFG2121FT-K2400 | 261107 | 24 | .40 | 1370 | 1.36 |
| LFG2121FT-K2700 | 261108 | 27 | .40 | 1370 | 1.36 |
| LFG2121FT-K3000 | 261109 | 30 | .40 | 1370 | 1.36 |
| LFG2121FT-K3300 | 261110 | 33 | .40 | 1370 | 1.36 |
| LFG2121FT-K3600 | 261111 | 36 | .40 | 1370 | 1.36 |
| LFG2121FT-K3900 | 261112 | 39 | .40 | 1370 | 1.36 |
| LFG2121FT-K4200 | 261113 | 42 | .40 | 1370 | 1.36 |
| LFG2121FT-K4500 | 261114 | 45 | .40 | 1370 | 1.36 |
| LFG2121FT-K4800 | 261115 | 48 | .40 | 1370 | 1.36 |
| LFG2121FT-K5100 | 261116 | 51 | .40 | 1370 | 1.36 |
| LFG2121FT-K5400 | 261117 | 54 | .40 | 1370 | 1.36 |
| LFG2121FT-K5700 | 261118 | 57 | .40 | 1370 | 1.36 |
| LFG2121FT-K6000 | 261119 | 60 | .40 | 1370 | 1.36 |

*Max. load changes according to belt width. Example: max. load for a 24 inch wide belt is 2 times the lbs. per foot figure shown.

Flat Top Belts



Drive Sprocket Options for 2121 FT Flat Top Belts



Idler Options for 2121 FT Flat Top Belts

| Shaft Sized Bore Dia. | Teeth or Equivalent | Machined | | Machined Split | | Machined | | Machined Split | |
|-----------------------|---------------------|-------------|-------------|----------------|-------------|-------------|-------------|----------------|-------------|
| | | Part Number | Part Number | Part Number | Part Number | Part Number | Part Number | Part Number | Part Number |
| .71* | 16 | 125500GV | - | - | - | 125500GV | - | - | - |
| 1 | 16 | 125500VS | - | - | - | 125500RIVS | - | - | - |
| 1-1/4 | 16 | 125501VS | - | - | - | 125501RIVS | - | - | - |
| .71* | 20 | 125502GV | - | - | - | 125502GV | - | - | - |
| 1 | 20 | 125502VS | - | - | - | 125502RIVS | - | - | - |
| 1-1/4 | 20 | 125503VS | - | - | - | 125503RIVS | - | - | - |
| 1-7/16 | 20 | 125504VS | - | - | - | 125504RIVS | - | - | - |
| 1-1/2 | 20 | 125505VS | - | - | - | 125505RIVS | - | - | - |
| .71* | 24 | 125506GV | - | - | - | 125506GV | - | - | - |
| 1 | 24 | 125506VS | - | - | - | 125506RIVS | - | - | - |
| 1-1/4 | 24 | 125507VS | - | - | - | 125507RIVS | - | - | - |
| 1-7/16 | 24 | 125508VS | - | - | - | 125508RIVS | - | - | - |
| 1-1/2 | 24 | 125509VS | - | - | - | 125509RIVS | - | - | - |
| .71* | 28 | 125510GV | 125600GV | - | - | 125510GV | 125600GV | - | - |
| 1 | 28 | 125510VS | 125600VS | - | - | 125510RIVS | 125600RVS | - | - |
| 1-1/4 | 28 | 125511VS | 125601VS | - | - | 125511RIVS | 125601RVS | - | - |
| 1-7/16 | 28 | 125512VS | 125602VS | - | - | 125512RIVS | 125602RVS | - | - |
| 1-1/2 | 28 | 125513VS | 125603VS | - | - | 125513RIVS | 125603RVS | - | - |

*Plain bore pilot hole. Not sized to a shaft.



Molded Single Key



Molded Double Key



Molded Square Shaft



Molded Split

| Shaft Sized Bore Dia. | Teeth or Equivalent | Part Number | Part Number | Part Number | Part Number |
|-----------------------|---------------------|-------------|-------------|-------------|-------------|
| 1-1/4 | 24 | 123190VS | 123193VS | - | 123197VS |
| 1-7/16 | 24 | 123191VS | 123194VS | - | 123198VS |
| 1-1/2 | 24 | 123192VS | 123195VS | - | 123199VS |
| 1-1/2 x 1-1/2 sq. | 28 | - | - | 123009VS | - |
| 1-1/4 | 28 | 123000VS | 123004VS | - | 123010VS |
| 1-7/16 | 28 | 123001VS | 123005VS | - | 123011VS |
| 1-1/2 | 28 | 123002VS | 123006VS | - | 123012VS |
| 1-3/4 | 28 | 123003VS | 123007VS | - | 123013VS |

For delivery information, contact customer service.

See all sprockets and idlers on pages 101-125

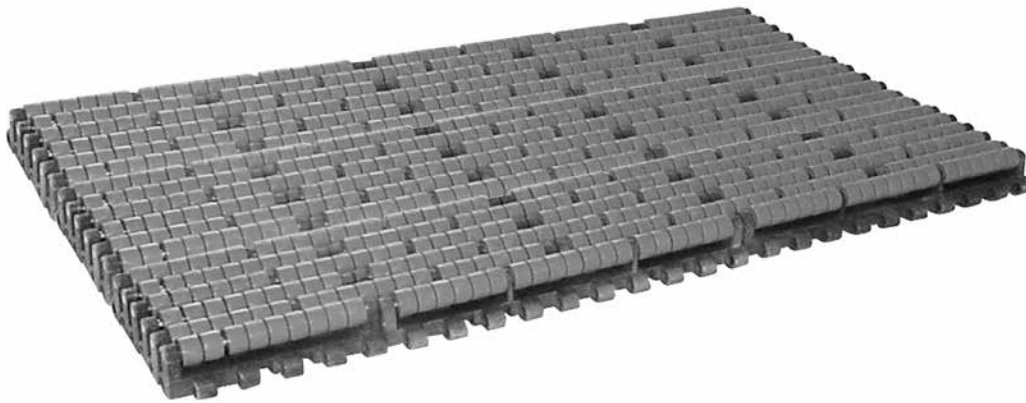
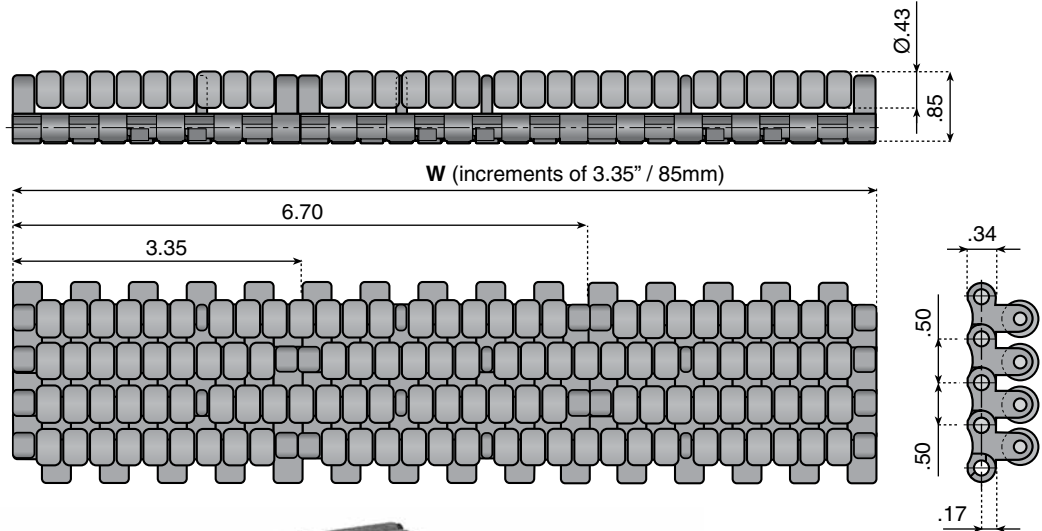
Flat Top Belts with Rollers

LBP 2120

Flat Top Belts with Accumulation Rollers

- Easy installation and maintenance
- Optimum product stability
- High performance
- Easy to clean
- Long wear life
- Low noise rollers

Standard Length: 5ft.
Pitches: 120



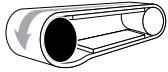
For delivery information, contact customer service.

Material: "LF Dark Grey" Low friction acetal belt. Water blue acetal resin rollers with stainless steel roller shaft.

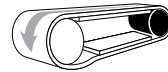
| Chain Reference | Width (mm) | Part Number | Backflex Radius | Max Load* (lbs. per ft.) | Weight (lbs. per sq. ft.) |
|------------------|------------|-------------|-----------------|--------------------------|---------------------------|
| LFG2120LBP-M0085 | | 256500 | 9.85 | 1370 | 5.125 |
| LFG2120LBP-M0170 | | 256501 | 9.85 | 1370 | 5.125 |
| LFG2120LBP-M0255 | | 256502 | 9.85 | 1370 | 5.125 |
| LFG2120LBP-M0340 | | 256503 | 9.85 | 1370 | 5.125 |
| LFG2120LBP-M0425 | | 256504 | 9.85 | 1370 | 5.125 |
| LFG2120LBP-M0510 | | 256505 | 9.85 | 1370 | 5.125 |
| LFG2120LBP-M0595 | | 256506 | 9.85 | 1370 | 5.125 |
| LFG2120LBP-M0680 | | 256507 | 9.85 | 1370 | 5.125 |
| LFG2120LBP-M0765 | | 256508 | 9.85 | 1370 | 5.125 |
| LFG2120LBP-M0850 | | 256509 | 9.85 | 1370 | 5.125 |
| LFG2120LBP-M0935 | | 256510 | 9.85 | 1370 | 5.125 |
| LFG2120LBP-M1020 | | 256511 | 9.85 | 1370 | 5.125 |
| LFG2120LBP-M1105 | | 256512 | 9.85 | 1370 | 5.125 |
| LFG2120LBP-M1190 | | 256513 | 9.85 | 1370 | 5.125 |
| LFG2120LBP-M1275 | | 256514 | 9.85 | 1370 | 5.125 |
| LFG2120LBP-M1360 | | 256515 | 9.85 | 1370 | 5.125 |
| LFG2120LBP-M1445 | | 256516 | 9.85 | 1370 | 5.125 |
| LFG2120LBP-M1530 | | 256517 | 9.85 | 1370 | 5.125 |

*Max. load changes according to belt width. Example: max. load for a 24 inch wide belt is 2 times the lbs. per foot figure shown.

Flat Top Belts with Rollers



Drive Sprocket Options for LBP 2120 Flat Top Belts



Idler Options for LBP 2120 Flat Top Belts

| Shaft Sized Bore Dia. | Teeth or Equivalent | Machined | | Machined Split | |
|-----------------------|---------------------|-------------|-------------|----------------|-------------|
| | | Part Number | Part Number | Part Number | Part Number |
| .71* | 16 | 125500GV | - | 125500GV | - |
| 1 | 16 | 125500VS | - | 125500RIVS | - |
| 1-1/4 | 16 | 125501VS | - | 125501RIVS | - |
| .71* | 20 | 125502GV | - | 125502GV | - |
| 1 | 20 | 125502VS | - | 125502RIVS | - |
| 1-1/4 | 20 | 125503VS | - | 125503RIVS | - |
| 1-7/16 | 20 | 125504VS | - | 125504RIVS | - |
| 1-1/2 | 20 | 125505VS | - | 125505RIVS | - |
| .71* | 24 | 125506GV | - | 125506GV | - |
| 1 | 24 | 125506VS | - | 125506RIVS | - |
| 1-1/4 | 24 | 125507VS | - | 125507RIVS | - |
| 1-7/16 | 24 | 125508VS | - | 125508RIVS | - |
| 1-1/2 | 24 | 125509VS | - | 125509RIVS | - |
| .71* | 28 | 125510GV | 125600GV | 125510GV | 125600GV |
| 1 | 28 | 125510VS | 125600VS | 125510RIVS | 125600RVS |
| 1-1/4 | 28 | 125511VS | 125601VS | 125511RIVS | 125601RVS |
| 1-7/16 | 28 | 125512VS | 125602VS | 125512RIVS | 125602RVS |
| 1-1/2 | 28 | 125513VS | 125603VS | 125513RIVS | 125603RVS |

*Plain bore pilot hole. Not sized to a shaft.



| Shaft Sized Bore Dia. | Teeth or Equivalent | Molded Single Key | Molded Double Key | Molded Square Shaft | Molded Split |
|-----------------------|---------------------|-------------------|-------------------|---------------------|--------------|
| | | Part Number | Part Number | Part Number | Part Number |
| 1-1/4 | 24 | 123190VS | 123193VS | - | 123197VS |
| 1-7/16 | 24 | 123191VS | 123194VS | - | 123198VS |
| 1-1/2 | 24 | 123192VS | 123195VS | - | 123199VS |
| 1-1/2 x 1-1/2 sq. | 28 | - | - | 123009VS | - |
| 1-1/4 | 28 | 123000VS | 123004VS | - | 123010VS |
| 1-7/16 | 28 | 123001VS | 123005VS | - | 123011VS |
| 1-1/2 | 28 | 123002VS | 123006VS | - | 123012VS |
| 1-3/4 | 28 | 123003VS | 123007VS | - | 123013VS |

For delivery information, contact customer service.

See all sprockets and idlers on pages 101-125

Side Flexing Flat Top Chain-Belt

2250 TAB

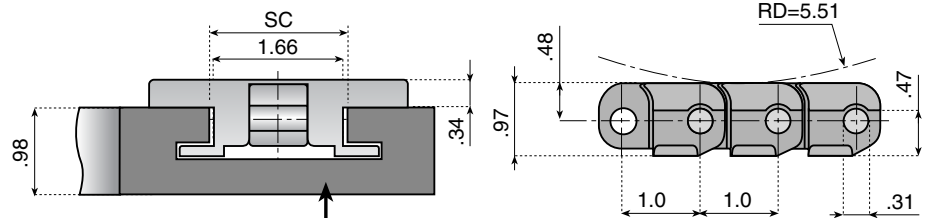
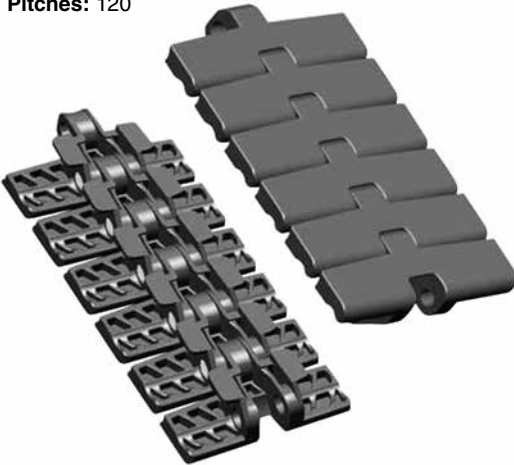
Side Flexing Chain-Belts, TAB Guides

- High strength and heavy duty flight design.
- Chain thickness and hinge design ensure high working load capacity.
- Matching height to 2121 series belts allows for standardization of conveyor design.
- Optimum product stability. Top plate design and 1 inch pitch allows for a maximum support area and smooth product transfer.

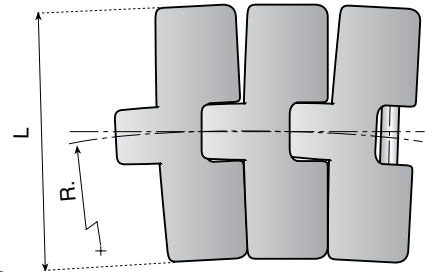
Chain-Belts solve the problem of how to incorporate side flexing needs into a straight running modular belt application. Uses standard TAB style chain tracks or guides.

Chain-Belts are designed to have the same height above the wear surface as modular belts, and a solid surface that makes them suitable for glass bottles and PET bottles, especially those with low contact area bases.

Standard Length: 10ft.
Pitches: 120



Standard tracks for TAB system or ValuTrac II system.



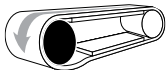
Use in combination with 2121 series belts

Material: "LFG Dark Grey" Low friction acetal with 304 stainless pins.

| Chain Reference | Part Number | L (width) | R min. | SC Straight | SC Curved | Max Load (lbs.) | Weight (lbs. per ft.) |
|--------------------|-------------|-----------|--------|-------------|-----------|-----------------|-----------------------|
| LFG2250FT-TAB-K330 | 11323 | 3.3 | 20 | 1.81 | 1.77 | 450 | 1.17 |
| LFG2250FT-TAB-K450 | 11324 | 4.5 | 20 | 1.81 | 1.77 | 450 | 1.37 |

Material: "NGG Light Grey" Very low friction material with 304 stainless pins.

| Chain Reference | Part Number | L (width) | R min. | SC Straight | SC Curved | Max Load (lbs.) | Weight (lbs. per ft.) |
|--------------------|-------------|-----------|--------|-------------|-----------|-----------------|-----------------------|
| NGG2250FT-TAB-K330 | 11323NGG | 3.3 | 20 | 1.81 | 1.77 | 450 | 1.17 |
| NGG2250FT-TAB-K450 | 11324 NGG | 4.5 | 20 | 1.81 | 1.77 | 450 | 1.37 |

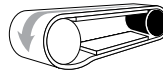


Drive Sprocket Options for 2250 Chain-Belts



Machined Split

| Shaft Sized Bore Dia. | Teeth or Equivalent | Part Number |
|-----------------------|---------------------|-------------|
| .71* | 16 | 121017 |
| 1 | 16 | 321018 |
| 1-1/4 | 16 | 321019 |
| 1-7/16 | 16 | 321020 |
| 1-1/2 | 16 | 321021 |
| .71* | 18 | 121023 |
| 1 | 18 | 321024 |
| 1-1/4 | 18 | 321025 |
| 1-7/16 | 18 | 321026 |
| 1-1/2 | 18 | 321027 |
| .71* | 19 | 121029 |
| 1 | 19 | 321030 |
| 1-1/4 | 19 | 321031 |
| 1-7/16 | 19 | 321032 |
| 1-1/2 | 19 | 321033 |



Idler Options for 2250 Chain-Belts

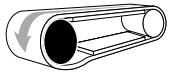


Machined Split

| Part Number |
|-------------|
| - |
| 321065 |
| 321066 |
| 321067 |
| 321068 |
| - |
| 321070 |
| 321071 |
| 321072 |
| 321073 |
| - |
| 321075 |
| 321076 |
| 321077 |
| 321078 |

See all sprockets and idlers on pages 101-125

Side Flexing Flat Top Chain-Belt



Drive Sprocket Options for 2250 TAB Chain-Belts

For delivery information, contact customer service.



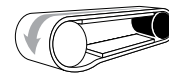
Molded Single Key



Molded Double Key



Molded Square Shaft



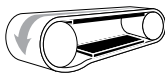
Idler Options for 2250 TAB Chain-Belts



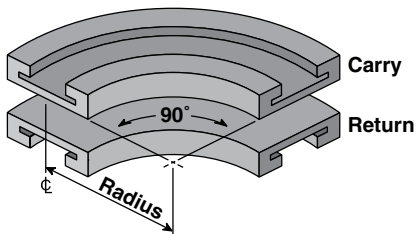
Molded Split

| Shaft Sized Bore Dia. | Teeth or Equivalent | Part Number | Part Number | Part Number | Part Number |
|-----------------------|---------------------|-------------|-------------|-------------|-------------|
| 1-1/2 x 1-1/2 sq. | 16 | - | - | 123108S | - |
| 1-1/4 | 16 | 123099S | 123103S | - | 123109S |
| 1-7/16 | 16 | 123100S | 123104S | - | 123110S |
| 1-1/2 | 16 | 123101S | 123105S | - | 123111S |
| 1-3/4 | 16 | 123102S | 123106S | - | 123112S |
| 1-1/2 x 1-1/2 sq. | 18 | - | - | 123122S | - |
| 1-1/4 | 18 | 123113S | 123117S | - | 123123S |
| 1-7/16 | 18 | 123114S | 123118S | - | 123124S |
| 1-1/2 | 18 | 123115S | 123119S | - | 123125S |
| 1-3/4 | 18 | 123116S | 123120S | - | 123126S |
| 1-1/2 x 1-1/2 sq. | 19 | - | - | 123136S | - |
| 1-1/4 | 19 | 123127S | 123131S | - | 123137S |
| 1-7/16 | 19 | 123128S | 123132S | - | 123138S |
| 1-1/2 | 19 | 123129S | 123133S | - | 123139S |
| 1-3/4 | 19 | 123130S | 123134S | - | 123140S |

See all sprockets and idlers on pages 101-125

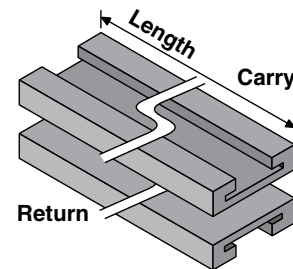


Track Options for 2250 TAB Chain-Belts



Corner Track

| Part Number | Track Width | Radius (inches) |
|------------------|-------------|-----------------|
| VT-980-T-18-0325 | 3.75 | 18 |
| VT-980-T-24-0325 | 3.75 | 24 |
| VT-980-T-24-0450 | 5.0 | 24 |



Straight Track

| Part Number | Track Width | Length (feet) |
|--------------------|-------------|---------------|
| VT-980-T-S-0325-3 | 3.75 | 3 |
| VT-980-T-S-0325-6 | 3.75 | 6 |
| VT-980-T-S-0325-10 | 3.75 | 10 |
| VT-980-T-S-0450-3 | 5.0 | 3 |
| VT-980-T-S-0450-6 | 5.0 | 6 |
| VT-980-T-S-0450-10 | 5.0 | 10 |

See all ValuTrac modules on pages 130-145

Side Flexing Flat Top Chain-Belt

2250 M

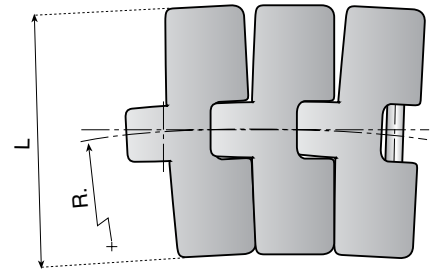
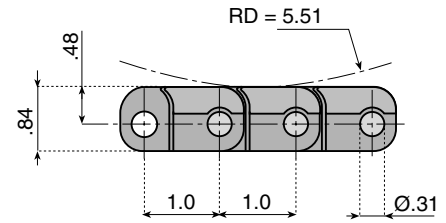
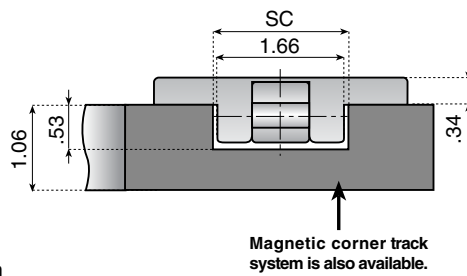
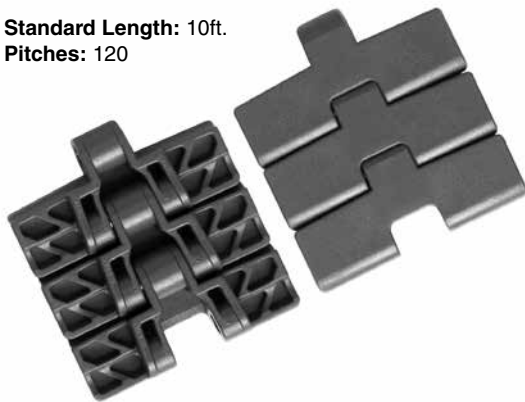
Side Flexing Chain-Belts

- High strength and heavy duty flight design.
- Chain thickness and hinge design ensure high working load capacity.
- Matching height to 2121 series belts allows for standardization of conveyor design.
- Easy installation. No tabs or bevel. Allows chain to be installed and removed quickly.
- Optimum product stability. Top plate design and 1 inch pitch allows for a maximum support area and smooth product transfer.

Chain-Belts solve the problem of how to incorporate side flexing needs into a straight running modular belt application. For use with Dual Magnetic Corner Tracks.

Chain-Belts are designed to have the same height above the wear surface as modular belts, and a solid surface that makes them suitable for glass bottles and PET bottles, especially those with low contact area bases.

Standard Length: 10ft.
Pitches: 120



See page 146 for more information.

Use in combination with 2121 series belts

Material: "LFG Dark Grey" Low friction acetal with 304 stainless pins.

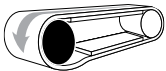
| Chain Reference | Part Number | L (width) | R min. | SC Straight | SC Curved | Max Load (lbs.) | Weight (lbs. per ft.) |
|-------------------------------|------------------|----------------|---------------|-----------------|-----------------|-----------------|-----------------------|
| LFG 2250 M K330 FT | 11320 | 3.3 | 20 | 1.77 | 1.73 | 450 | 1.18 |

Note: Replaced by 2260 series on page 86.

Material: "NGG Light Grey" Low friction material with 304 stainless pins.

| Chain Reference | Part Number | L (width) | R min. | SC Straight | SC Curved | Max Load (lbs.) | Weight (lbs. per ft.) |
|-------------------------------|---------------------|----------------|---------------|-----------------|-----------------|-----------------|-----------------------|
| NGG 2250 M K330 FT | 11320NGG | 3.3 | 20 | 1.77 | 1.73 | 450 | 1.18 |

Note: Replaced by NGG 2260 series on page 86.

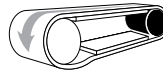


Drive Sprocket Options for 2250 M Chain-Belts



Machined Split

| Shaft Sized Bore Dia. | Teeth or Equivalent | Part Number |
|-----------------------|---------------------|-------------|
| .71* | 16 | 121017 |
| 1 | 16 | 321018 |
| 1-1/4 | 16 | 321019 |
| 1-7/16 | 16 | 321020 |
| 1-1/2 | 16 | 321021 |
| .71* | 18 | 121023 |
| 1 | 18 | 321024 |
| 1-1/4 | 18 | 321025 |
| 1-7/16 | 18 | 321026 |
| 1-1/2 | 18 | 321027 |
| .71* | 19 | 121029 |
| 1 | 19 | 321030 |
| 1-1/4 | 19 | 321031 |
| 1-7/16 | 19 | 321032 |
| 1-1/2 | 19 | 321033 |



Idler Options for 2250 M Chain-Belts



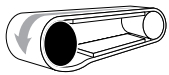
Machined Split

| Part Number |
|-------------|
| - |
| 321065 |
| 321066 |
| 321067 |
| 321068 |
| - |
| 321070 |
| 321071 |
| 321072 |
| 321073 |
| - |
| 321075 |
| 321076 |
| 321077 |
| 321078 |

See all sprockets and idlers on pages 101-125

*Plain bore pilot hole. Not sized to a shaft.

Side Flexing Flat Top Chain-Belt



Drive Sprocket Options for 2250 M Chain-Belts

For delivery information, contact customer service.



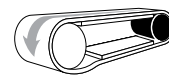
Molded Single Key



Molded Double Key



Molded Square Shaft

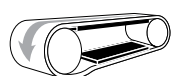


Idler Options for 2250 M Chain-Belts

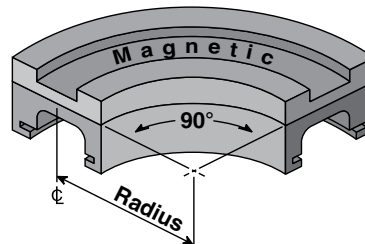


Molded Split

| Shaft Sized Bore Dia. | Teeth or Equivalent | Part Number | Part Number | Part Number | Part Number |
|-----------------------|---------------------|-------------|-------------|-------------|-------------|
| 1-1/2 x 1-1/2 sq. | 16 | - | - | 123108S | - |
| 1-1/4 | 16 | 123099S | 123103S | - | 123109S |
| 1-7/16 | 16 | 123100S | 123104S | - | 123110S |
| 1-1/2 | 16 | 123101S | 123105S | - | 123111S |
| 1-3/4 | 16 | 123102S | 123106S | - | 123112S |
| 1-1/2 x 1-1/2 sq. | 18 | - | - | 123122S | - |
| 1-1/4 | 18 | 123113S | 123117S | - | 123123S |
| 1-7/16 | 18 | 123114S | 123118S | - | 123124S |
| 1-1/2 | 18 | 123115S | 123119S | - | 123125S |
| 1-3/4 | 18 | 123116S | 123120S | - | 123126S |
| 1-1/2 x 1-1/2 sq. | 19 | - | - | 123136S | - |
| 1-1/4 | 19 | 123127S | 123131S | - | 123137S |
| 1-7/16 | 19 | 123128S | 123132S | - | 123138S |
| 1-1/2 | 19 | 123129S | 123133S | - | 123139S |
| 1-3/4 | 19 | 123130S | 123134S | - | 123140S |



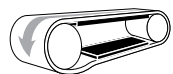
Track Options for 2250 M Chain-Belts K330 Series



See all sprockets and idlers on pages 101-125

| Number of Tracks | Total Width | | Angle | | | | | |
|------------------|-------------|--------|----------------|----------------|----------------|----------------|----------------|----------------|
| | mm | inches | 15° | 30° | 45° | 60° | 75° | 90° |
| 1 | 100 | 3.94 | KMD.15.15.01.A | KMD.15.30.01.A | KMD.15.45.01.A | KMD.15.60.01.A | KMD.15.75.01.A | KMD.15.90.01.A |
| 2 | 185 | 7.28 | KMD.15.15.02.A | KMD.15.30.02.A | KMD.15.45.02.A | KMD.15.60.02.A | KMD.15.75.02.A | KMD.15.90.02.A |
| 3 | 270 | 10.63 | KMD.15.15.03.A | KMD.15.30.03.A | KMD.15.45.03.A | KMD.15.60.03.A | KMD.15.75.03.A | KMD.15.90.03.A |
| 4 | 355 | 13.98 | KMD.15.15.04.A | KMD.15.30.04.A | KMD.15.45.04.A | KMD.15.60.04.A | KMD.15.75.04.A | KMD.15.90.04.A |

For additional number of tracks in a magnetic curve, see the chain track catalog section.



Track Options for 2250 M Chain-Belts K450 Series

See all Magnetic Corner Tracks on pages 146-153

| Number of Tracks | Total Width | | Angle | | | | | |
|------------------|-------------|--------|----------------|----------------|----------------|----------------|----------------|----------------|
| | mm | inches | 15° | 30° | 45° | 60° | 75° | 90° |
| 1 | 129 | 5.08 | KMD.56.15.01.A | KMD.56.30.01.A | KMD.56.45.01.A | KMD.56.60.01.A | KMD.56.75.01.A | KMD.56.90.01.A |
| 2 | 246 | 9.69 | KMD.56.15.02.A | KMD.56.30.02.A | KMD.56.45.02.A | KMD.56.60.02.A | KMD.56.75.02.A | KMD.56.90.02.A |
| 3 | 363 | 14.29 | KMD.56.15.03.A | KMD.56.30.03.A | KMD.56.45.03.A | KMD.56.60.03.A | KMD.56.75.03.A | KMD.56.90.03.A |
| 4 | 480 | 18.90 | KMD.56.15.04.A | KMD.56.30.04.A | KMD.56.45.04.A | KMD.56.60.04.A | KMD.56.75.04.A | KMD.56.90.04.A |

Side Flexing Flat Top Chain-Belt

2260 M

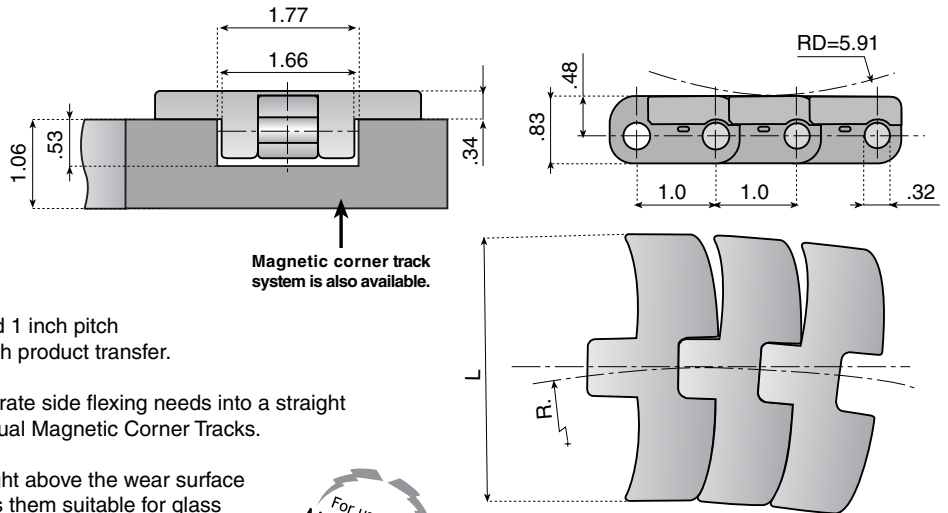
Side Flexing Flat Top Chain-Belts

- High strength and heavy duty flight design.
- Chain thickness and hinge design ensure high working load capacity.
- Matching height to 2121 series belts allows for standardization of conveyor design.
- Optimum product stability. Top plate design and 1 inch pitch allows for a maximum support area and smooth product transfer.

Chain-Belts solve the problem of how to incorporate side flexing needs into a straight running modular belt application. For use with Dual Magnetic Corner Tracks.

Chain-Belts are designed to have the same height above the wear surface as modular belts, and a solid surface that makes them suitable for glass bottles and PET bottles, especially those with low contact area bases.

Standard Length: 10ft.
Pitches: 120



Magnetic corner track system is also available.



See page 146 for more information.

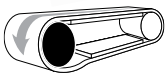
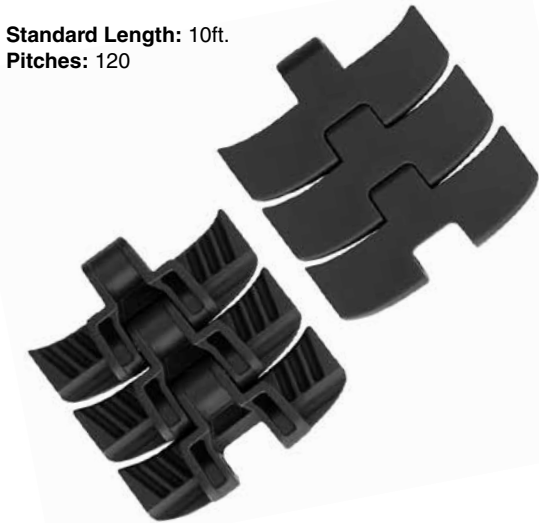
Use in combination with 2121 series belts

Material: "LFG Dark Grey" Low friction acetal with 304 stainless pins.

| Chain Reference | Part Number | L (width) | R min. | Max Load (lbs.) | Weight (lbs. per ft.) |
|------------------|-------------|-----------|--------|-----------------|-----------------------|
| LFG2260FT-M-K330 | 11329 | 3.3 | 20 | 450 | 1.17 |

Material: "NGG Light Grey" Very low friction material with 304 stainless pins.

| Chain Reference | Part Number | L (width) | R min. | Max Load (lbs.) | Weight (lbs. per ft.) |
|------------------|-------------|-----------|--------|-----------------|-----------------------|
| NGG2260FT-M-K330 | 11329NGG | 3.3 | 20 | 450 | 1.17 |

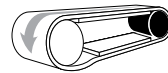


Drive Sprocket Options for 2260 M Chain-Belts



Machined Split

| Shaft Sized Bore Dia. | Teeth or Equivalent | Part Number |
|-----------------------|---------------------|-------------|
| .71* | 16 | 121017 |
| 1 | 16 | 321018 |
| 1-1/4 | 16 | 321019 |
| 1-7/16 | 16 | 321020 |
| 1-1/2 | 16 | 321021 |
| .71* | 18 | 121023 |
| 1 | 18 | 321024 |
| 1-1/4 | 18 | 321025 |
| 1-7/16 | 18 | 321026 |
| 1-1/2 | 18 | 321027 |
| .71* | 19 | 121029 |
| 1 | 19 | 321030 |
| 1-1/4 | 19 | 321031 |
| 1-7/16 | 19 | 321032 |
| 1-1/2 | 19 | 321033 |



Idler Options for 2260 M Chain-Belts



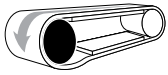
Machined Split

| Part Number |
|-------------|
| - |
| 321065 |
| 321066 |
| 321067 |
| 321068 |
| - |
| 321070 |
| 321071 |
| 321072 |
| 321073 |
| - |
| 321075 |
| 321076 |
| 321077 |
| 321078 |

See all sprockets and idlers on pages 101-125

*Plain bore pilot hole. Not sized to a shaft.

Side Flexing Flat Top Chain-Belt



Drive Sprocket Options for 2260 M Chain-Belts

For delivery information, contact customer service.



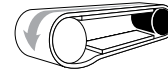
Molded Single Key



Molded Double Key



Molded Square Shaft



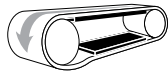
Idler Options for 2260 M FT Chain-Belts



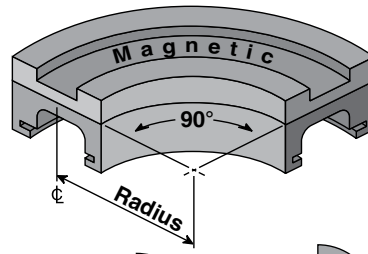
Molded Split

| Shaft Sized Bore Dia. | Teeth or Equivalent | Part Number | Part Number | Part Number | Part Number |
|-----------------------|---------------------|-------------|-------------|-------------|-------------|
| 1-1/2 x 1-1/2 sq. | 16 | - | - | 123108S | - |
| 1-1/4 | 16 | 123099S | 123103S | - | 123109S |
| 1-7/16 | 16 | 123100S | 123104S | - | 123110S |
| 1-1/2 | 16 | 123101S | 123105S | - | 123111S |
| 1-3/4 | 16 | 123102S | 123106S | - | 123112S |
| 1-1/2 x 1-1/2 sq. | 18 | - | - | 123122S | - |
| 1-1/4 | 18 | 123113S | 123117S | - | 123123S |
| 1-7/16 | 18 | 123114S | 123118S | - | 123124S |
| 1-1/2 | 18 | 123115S | 123119S | - | 123125S |
| 1-3/4 | 18 | 123116S | 123120S | - | 123126S |
| 1-1/2 x 1-1/2 sq. | 19 | - | - | 123136S | - |
| 1-1/4 | 19 | 123127S | 123131S | - | 123137S |
| 1-7/16 | 19 | 123128S | 123132S | - | 123138S |
| 1-1/2 | 19 | 123129S | 123133S | - | 123139S |
| 1-3/4 | 19 | 123130S | 123134S | - | 123140S |

See all sprockets and idlers on pages 101-125



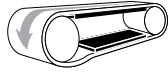
Track Options for 2260 M Chain-Belts / K330 Series



| Number of Tracks | Total Width | | Angle | | | | | |
|------------------|-------------|--------|----------------|----------------|----------------|----------------|----------------|----------------|
| | mm | inches | 15° | 30° | 45° | 60° | 75° | 90° |
| 1 | 100 | 3.94 | KMD.15.15.01.A | KMD.15.30.01.A | KMD.15.45.01.A | KMD.15.60.01.A | KMD.15.75.01.A | KMD.15.90.01.A |
| 2 | 185 | 7.28 | KMD.15.15.02.A | KMD.15.30.02.A | KMD.15.45.02.A | KMD.15.60.02.A | KMD.15.75.02.A | KMD.15.90.02.A |
| 3 | 270 | 10.63 | KMD.15.15.03.A | KMD.15.30.03.A | KMD.15.45.03.A | KMD.15.60.03.A | KMD.15.75.03.A | KMD.15.90.03.A |
| 4 | 355 | 13.98 | KMD.15.15.04.A | KMD.15.30.04.A | KMD.15.45.04.A | KMD.15.60.04.A | KMD.15.75.04.A | KMD.15.90.04.A |

For additional number of tracks in a magnetic curve, see the chain track catalog section.

See all Magnetic Corner Tracks on pages 146-153



Track Options for 2260 M Chain-Belts / K450 Series

| Number of Tracks | Total Width | | Angle | | | | | |
|------------------|-------------|--------|----------------|----------------|----------------|----------------|----------------|----------------|
| | mm | inches | 15° | 30° | 45° | 60° | 75° | 90° |
| 1 | 129 | 5.08 | KMD.56.15.01.A | KMD.56.30.01.A | KMD.56.45.01.A | KMD.56.60.01.A | KMD.56.75.01.A | KMD.56.90.01.A |
| 2 | 246 | 9.69 | KMD.56.15.02.A | KMD.56.30.02.A | KMD.56.45.02.A | KMD.56.60.02.A | KMD.56.75.02.A | KMD.56.90.02.A |
| 3 | 363 | 14.29 | KMD.56.15.03.A | KMD.56.30.03.A | KMD.56.45.03.A | KMD.56.60.03.A | KMD.56.75.03.A | KMD.56.90.03.A |
| 4 | 480 | 18.90 | KMD.56.15.04.A | KMD.56.30.04.A | KMD.56.45.04.A | KMD.56.60.04.A | KMD.56.75.04.A | KMD.56.90.04.A |

Flat Top Belts

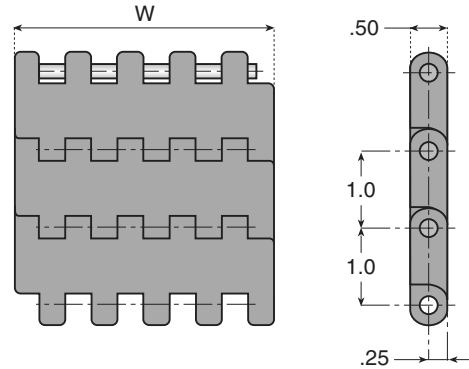
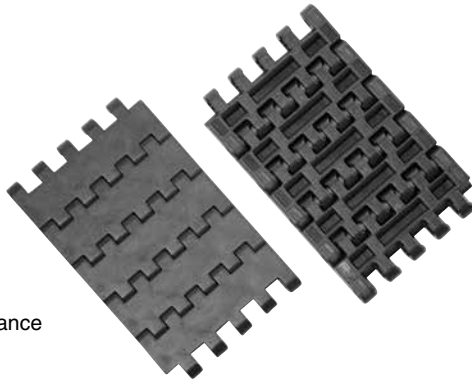
2252

Straight Running Belts with Single Piece Widths

- 1 inch pitch
- 1/2 inch height
- Easy installation and maintenance
- High mechanical strength and wear resistance
- No gaps between parallel chains
- Excellent product handling

System Plast Flat Top Belts have a solid surface that makes them suitable for glass bottles and PET bottles, especially those with low contact area bases.

Standard Length: 10ft.
Pitches: 120



Material: "LFG Dark Grey" Low friction acetal chain. White PBT pins.

| Chain Reference | Part Number | W (width) | Pitch | Backflex Radius | Max Load* (lbs. per ft.) | Weight (lbs. per sq. ft.) |
|-----------------|-------------|-----------|-------|-----------------|--------------------------|---------------------------|
| LFG2252FT-K300 | 26000 | 3 | 1.0 | 1.0 | 2604 | 2.87 |
| LFG2252FT-K325 | 26001 | 3-1/4 | 1.0 | 1.0 | 2604 | 2.87 |
| LFG2252FT-K450 | 26002 | 4-1/2 | 1.0 | 1.0 | 2604 | 2.87 |
| LFG2252FT-K600 | 26003 | 6 | 1.0 | 1.0 | 2604 | 2.87 |
| LFG2252FT-K750 | 26004 | 7-1/2 | 1.0 | 1.0 | 2604 | 2.87 |

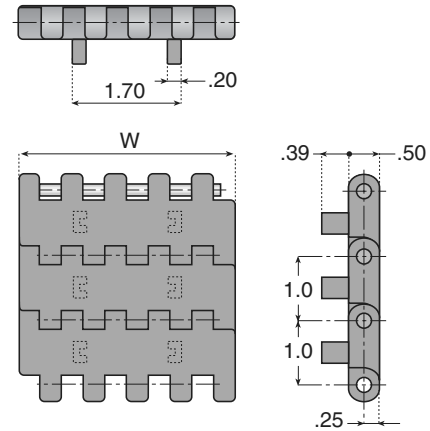
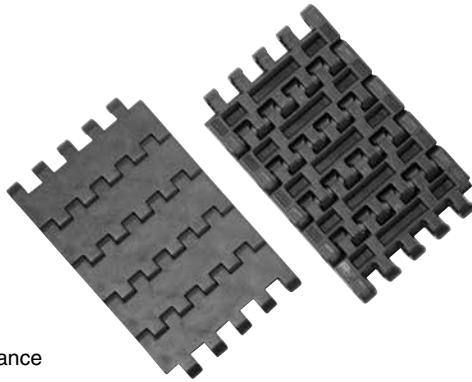
*Max. load changes according to belt width. Example: max. load for a 6 inch wide belt is half of the lbs. per foot figure shown.

Straight Running Belts with Single Piece Widths and Two Positioners

- 1 inch pitch
- 1/2 inch height
- Easy installation and maintenance
- High mechanical strength and wear resistance
- No gaps between parallel chains
- Excellent product handling

System Plast Flat Top Belts have a solid surface that makes them suitable for glass bottles and PET bottles, especially those with a low contact area base.

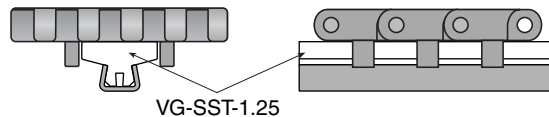
Standard Length: 10ft.
Pitches: 120



Material: "LFG Dark Grey" Low friction acetal chain. White PBT pins.

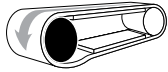
| Chain Reference | Part Number | W (width) | Pitch | Backflex Radius | Max Load* (lbs. per ft.) | Weight (lbs. per sq. ft.) |
|-------------------|-------------|-----------|-------|-----------------|--------------------------|---------------------------|
| LFG2252FT-PT-K300 | 26010 | 3 | 1.0 | 1.0 | 2604 | 2.89 |
| LFG2252FT-PT-K325 | 26011 | 3-1/4 | 1.0 | 1.0 | 2604 | 2.89 |
| LFG2252FT-PT-K450 | 26012 | 4-1/2 | 1.0 | 1.0 | 2604 | 2.89 |
| LFG2252FT-PT-K600 | 26013 | 6 | 1.0 | 1.0 | 2604 | 2.89 |
| LFG2252FT-PT-K750 | 26014 | 7-1/2 | 1.0 | 1.0 | 2604 | 2.89 |

*Max. load changes according to belt width. Example: max. load for a 6 inch wide belt is half of the lbs. per foot figure shown.



For delivery information, contact customer service.

Flat Top Belts

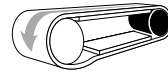


Drive Sprocket Options for 2252 Flat Top Belts



Machined Split

| Shaft Sized Bore Dia. | Teeth or Equivalent | Part Number |
|-----------------------|---------------------|-------------|
| .71* | 16 | 125250GF |
| 1 | 16 | 125250S |
| 1-1/4 | 16 | 125251S |
| 1-7/16 | 16 | 125252S |
| 1-1/2 | 16 | 125253S |
| .71* | 18 | 125254GF |
| 1 | 18 | 125254S |
| 1-1/4 | 18 | 125255S |
| 1-7/16 | 18 | 125256S |
| 1-1/2 | 18 | 125257S |
| .71* | 20 | 125258GF |
| 1 | 20 | 125258S |
| 1-1/4 | 20 | 125259S |
| 1-7/16 | 20 | 125260S |
| 1-1/2 | 20 | 125261S |
| .71* | 21 | 125262GF |
| 1 | 21 | 125262S |
| 1-1/4 | 21 | 125263S |
| 1-7/16 | 21 | 125264S |
| 1-1/2 | 21 | 125265S |



Idler Options for 2252 Flat Top Belts



Machined Split

| Shaft Sized Bore Dia. | Teeth or Equivalent | Part Number |
|-----------------------|---------------------|-------------|
| .71* | 16 | 125250GF |
| 1 | 16 | 125250RS |
| 1-1/4 | 16 | 125251RS |
| 1-7/16 | 16 | 125252RS |
| 1-1/2 | 16 | 125253RS |
| .71* | 18 | 125254GF |
| 1 | 18 | 125254RS |
| 1-1/4 | 18 | 125255RS |
| 1-7/16 | 18 | 125256RS |
| 1-1/2 | 18 | 125257RS |
| .71* | 20 | 125258GF |
| 1 | 20 | 125258RS |
| 1-1/4 | 20 | 125259RS |
| 1-7/16 | 20 | 125260RS |
| 1-1/2 | 20 | 125261RS |
| .71* | 21 | 125262GF |
| 1 | 21 | 125262RS |
| 1-1/4 | 21 | 125263RS |
| 1-7/16 | 21 | 125264RS |
| 1-1/2 | 21 | 125265RS |

*Plain bore pilot hole. Not sized to a shaft.

For delivery information, contact customer service.



Molded Single Key



Molded Double Key



Molded Square Shaft



Molded Split

See all sprockets and idlers on pages 101-125

| Shaft Sized Bore Dia. | Teeth or Equivalent | Part Number | Part Number | Part Number | Part Number |
|-----------------------|---------------------|-------------|-------------|-------------|-------------|
| 1-1/4 | 14 | 123150S | 123154S | - | 123162S |
| 1-7/16 | 14 | 123151S | 123155S | - | 123163S |
| 1-1/2 | 14 | 123152S | 123156S | - | 123164S |
| 1-1/2 x 1-1/2 sq. | 16 | - | - | 123066S | - |
| 1-1/4 | 16 | 123057S | 123061S | - | 123067S |
| 1-7/16 | 16 | 123058S | 123062S | - | 123068S |
| 1-1/2 | 16 | 123059S | 123063S | - | 123069S |
| 1-3/4 | 16 | 123060S | 123064S | - | 123070S |
| 1-1/2 x 1-1/2 sq. | 18 | - | - | 123080S | - |
| 1-1/4 | 18 | 123071S | 123075S | - | 123081S |
| 1-7/16 | 18 | 123072S | 123076S | - | 123082S |
| 1-1/2 | 18 | 123073S | 123077S | - | 123083S |
| 1-3/4 | 18 | 123074S | 123078S | - | 123084S |
| 1-1/2 x 1-1/2 sq. | 20 | - | - | 123094S | - |
| 1-1/4 | 20 | 123085S | 123089S | - | 123095S |
| 1-7/16 | 20 | 123086S | 123090S | - | 123096S |
| 1-1/2 | 20 | 123087S | 123091S | - | 123097S |
| 1-3/4 | 20 | 123088S | 123092S | - | 123098S |

Flat Top Belts

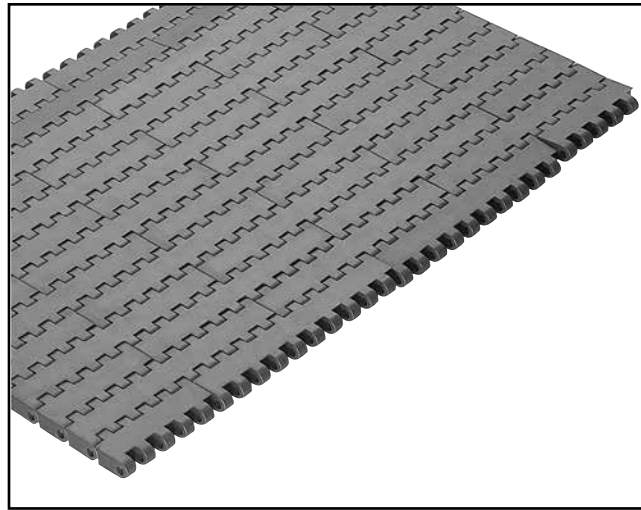
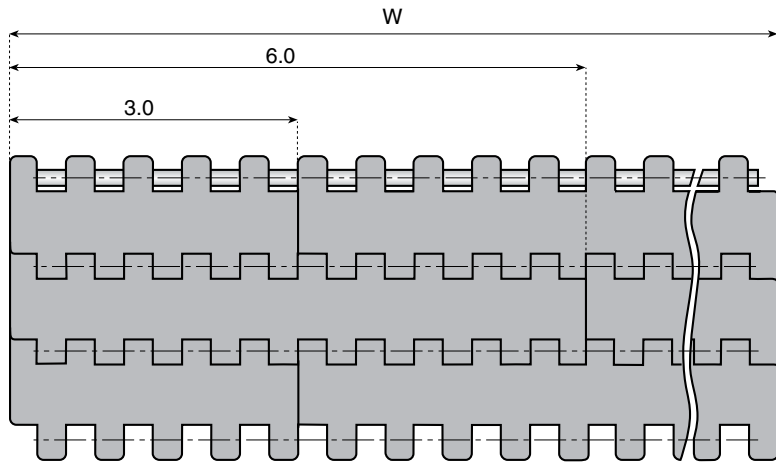
2252 FT

Straight Running Belts with Combined Piece Widths

- 1 inch pitch
- 1/2 inch height
- Easy installation and maintenance
- High mechanical strength and wear resistance
- No gaps between parallel chains
- Excellent product handling

System Plast Flat Top Belts have a solid surface that makes them suitable for glass bottles and PET bottles, especially those with a low contact area base.

Standard Length: 10ft.
Pitches: 120



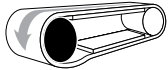
For delivery information, contact customer service.

Material: "LFG Dark Grey" Low friction acetal chain. White PBT pins. For "XPG Dark Brown" material, add "XPG" to the end of the part number, example: **261002XPG**.

| Chain Reference | Part Number | Width (in.) | Backflex Radius | Max Load* (lbs. per ft.) | Weight (lbs. per sq. ft.) |
|-----------------|-------------|-------------|-----------------|--------------------------|---------------------------|
| LFG2252FT-K900 | 261002 | 9 | 1.0 | 2604 | 2.87 |
| LFG2252FT-K1200 | 261003 | 12 | 1.0 | 2604 | 2.87 |
| LFG2252FT-K1500 | 261004 | 15 | 1.0 | 2604 | 2.87 |
| LFG2252FT-K1800 | 261005 | 18 | 1.0 | 2604 | 2.87 |
| LFG2252FT-K2100 | 261006 | 21 | 1.0 | 2604 | 2.87 |
| LFG2252FT-K2400 | 261007 | 24 | 1.0 | 2604 | 2.87 |
| LFG2252FT-K2700 | 261008 | 27 | 1.0 | 2604 | 2.87 |
| LFG2252FT-K3000 | 261009 | 30 | 1.0 | 2604 | 2.87 |
| LFG2252FT-K3300 | 261010 | 33 | 1.0 | 2604 | 2.87 |
| LFG2252FT-K3600 | 261011 | 36 | 1.0 | 2604 | 2.87 |
| LFG2252FT-K3900 | 261012 | 39 | 1.0 | 2604 | 2.87 |
| LFG2252FT-K4200 | 261013 | 42 | 1.0 | 2604 | 2.87 |
| LFG2252FT-K4500 | 261014 | 45 | 1.0 | 2604 | 2.87 |
| LFG2252FT-K4800 | 261015 | 48 | 1.0 | 2604 | 2.87 |
| LFG2252FT-K5100 | 261016 | 51 | 1.0 | 2604 | 2.87 |
| LFG2252FT-K5400 | 261017 | 54 | 1.0 | 2604 | 2.87 |
| LFG2252FT-K5700 | 261018 | 57 | 1.0 | 2604 | 2.87 |
| LFG2252FT-K6000 | 261019 | 60 | 1.0 | 2604 | 2.87 |

*Max. load changes according to belt width. Example: max. load for a 24 inch wide belt is 2 times the lbs. per foot figure shown.

Flat Top Belts

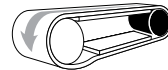


Drive Sprocket Options for 2252 FT Flat Top Belts



Machined Split

| Shaft Sized Bore Dia. | Teeth or Equivalent | Part Number |
|-----------------------|---------------------|-------------|
| .71* | 16 | 125250GF |
| 1 | 16 | 125250S |
| 1-1/4 | 16 | 125251S |
| 1-7/16 | 16 | 125252S |
| 1-1/2 | 16 | 125253S |
| .71* | 18 | 125254GF |
| 1 | 18 | 125254S |
| 1-1/4 | 18 | 125255S |
| 1-7/16 | 18 | 125256S |
| 1-1/2 | 18 | 125257S |
| .71* | 20 | 125258GF |
| 1 | 20 | 125258S |
| 1-1/4 | 20 | 125259S |
| 1-7/16 | 20 | 125260S |
| 1-1/2 | 20 | 125261S |
| .71* | 21 | 125262GF |
| 1 | 21 | 125262S |
| 1-1/4 | 21 | 125263S |
| 1-7/16 | 21 | 125264S |
| 1-1/2 | 21 | 125265S |



Idler Options for 2252 FT Flat Top Belts



Machined Split

| Part Number |
|-------------|
| 125250GF |
| 125250RS |
| 125251RS |
| 125252RS |
| 125253RS |
| 125254GF |
| 125254RS |
| 125255RS |
| 125256RS |
| 125257RS |
| 125258GF |
| 125258RS |
| 125259RS |
| 125260RS |
| 125261RS |
| 125262GF |
| 125262RS |
| 125263RS |
| 125264RS |
| 125265RS |

*Plain bore pilot hole. Not sized to a shaft.

For delivery information, contact customer service.



Molded Single Key



Molded Double Key



Molded Square Shaft



Molded Split

| Shaft Sized Bore Dia. | Teeth or Equivalent | Part Number | Part Number | Part Number | Part Number |
|-----------------------|---------------------|-------------|-------------|-------------|-------------|
| 1-1/4 | 14 | 123150S | 123154S | - | 123162S |
| 1-7/16 | 14 | 123151S | 123155S | - | 123163S |
| 1-1/2 | 14 | 123152S | 123156S | - | 123164S |
| 1-1/2 x 1-1/2 sq. | 16 | - | - | 123066S | - |
| 1-1/4 | 16 | - | 123061S | - | 123067S |
| 1-7/16 | 16 | 123058S | 123062S | - | 123068S |
| 1-1/2 | 16 | 123059S | 123063S | - | 123069S |
| 1-3/4 | 16 | 123060S | 123064S | - | 123070S |
| 1-1/2 x 1-1/2 sq. | 18 | - | - | 123080S | - |
| 1-1/4 | 18 | 123071S | 123075S | - | 123081S |
| 1-7/16 | 18 | 123072S | 123076S | - | 123082S |
| 1-1/2 | 18 | 123073S | 123077S | - | 123070S |
| 1-3/4 | 18 | 123074S | 123078S | - | 123071S |
| 1-1/2 x 1-1/2 sq. | 20 | - | - | 123094S | - |
| 1-1/4 | 20 | 123085S | 123089S | - | 123095S |
| 1-7/16 | 20 | 123086S | 123090S | - | 123096S |
| 1-1/2 | 20 | 123087S | 123091S | - | 123097S |
| 1-3/4 | 20 | 123088S | 123092S | - | 123098S |

See all sprockets and idlers on pages 101-125

Flat Top Belts

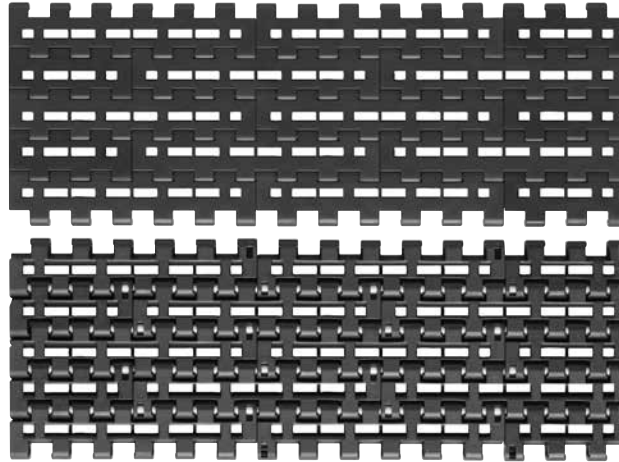
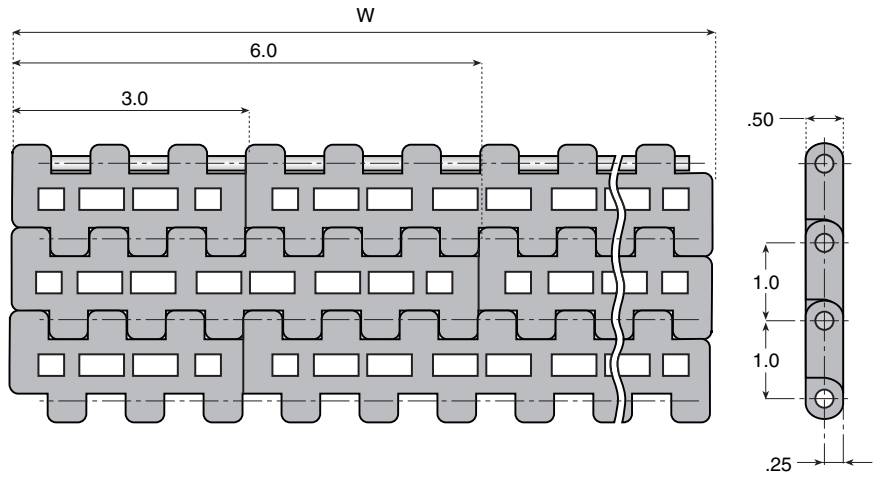
2252 PT

Straight Running Belts with Combined Piece Widths

- 1 inch pitch
- 1/2 inch height
- Easy installation and maintenance
- High mechanical strength and wear resistance
- No gaps between parallel chains
- Excellent product handling

System Plast Flat Top Belts have a solid surface that makes them suitable for glass bottles and PET bottles, especially those with a low contact area base.

Standard Length: 10ft.
Pitches: 120



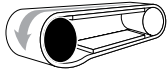
For delivery information, contact customer service.

Material: "LFG Dark Grey" Low friction acetal chain. White PBT pins. For "XPG Dark Brown" material, add "XPG" to the end of the part number, example: 26200XPG.

| Chain Reference | Part Number | Width (in.) | Backflex Radius | Max Load* (lbs. per ft.) | Weight (lbs. per sq. ft.) |
|-----------------|-------------|-------------|-----------------|--------------------------|---------------------------|
| LFG2252PT-K300 | 26200 | 3 | 1.0 | 2604 | 2.72 |
| LFG2252PT-K600 | 26201 | 6 | 1.0 | 2604 | 2.72 |
| LFG2252PT-K900 | 26202 | 9 | 1.0 | 2604 | 2.72 |
| LFG2252PT-K1200 | 26203 | 12 | 1.0 | 2604 | 2.72 |
| LFG2252PT-K1500 | 26204 | 15 | 1.0 | 2604 | 2.72 |
| LFG2252PT-K1800 | 26205 | 18 | 1.0 | 2604 | 2.72 |
| LFG2252PT-K2100 | 26206 | 21 | 1.0 | 2604 | 2.72 |
| LFG2252PT-K2400 | 26207 | 24 | 1.0 | 2604 | 2.72 |
| LFG2252PT-K2700 | 26208 | 27 | 1.0 | 2604 | 2.72 |
| LFG2252PT-K3000 | 26209 | 30 | 1.0 | 2604 | 2.72 |
| LFG2252PT-K3300 | 26210 | 33 | 1.0 | 2604 | 2.72 |
| LFG2252PT-K3600 | 26211 | 36 | 1.0 | 2604 | 2.72 |
| LFG2252PT-K3900 | 26212 | 39 | 1.0 | 2604 | 2.72 |
| LFG2252PT-K4200 | 26213 | 42 | 1.0 | 2604 | 2.72 |
| LFG2252PT-K4500 | 26214 | 45 | 1.0 | 2604 | 2.72 |
| LFG2252PT-K4800 | 26215 | 48 | 1.0 | 2604 | 2.72 |
| LFG2252PT-K5100 | 26216 | 51 | 1.0 | 2604 | 2.72 |
| LFG2252PT-K5400 | 26217 | 54 | 1.0 | 2604 | 2.72 |
| LFG2252PT-K5700 | 26218 | 57 | 1.0 | 2604 | 2.72 |
| LFG2252PT-K6000 | 26219 | 60 | 1.0 | 2604 | 2.72 |

*Max. load changes according to belt width. Example: max. load for a 24 inch wide belt is 2 times the lbs. per foot figure shown.

Flat Top Belts

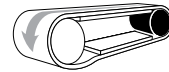


Drive Sprocket Options for 2252 PT Flat Top Belts



Machined Split

| Shaft Sized Bore Dia. | Teeth or Equivalent | Part Number |
|-----------------------|---------------------|-------------|
| .71* | 16 | 125250GF |
| 1 | 16 | 125250S |
| 1-1/4 | 16 | 125251S |
| 1-7/16 | 16 | 125252S |
| 1-1/2 | 16 | 125253S |
| .71* | 18 | 125254GF |
| 1 | 18 | 125254S |
| 1-1/4 | 18 | 125255S |
| 1-7/16 | 18 | 125256S |
| 1-1/2 | 18 | 125257S |
| .71* | 20 | 125258GF |
| 1 | 20 | 125258S |
| 1-1/4 | 20 | 125259S |
| 1-7/16 | 20 | 125260S |
| 1-1/2 | 20 | 125261S |
| .71* | 21 | 125262GF |
| 1 | 21 | 125262S |
| 1-1/4 | 21 | 125263S |
| 1-7/16 | 21 | 125264S |
| 1-1/2 | 21 | 125265S |



Idler Options for 2252 PT Flat Top Belts



Machined Split

| Part Number |
|-------------|
| 125250GF |
| 125250RS |
| 125251RS |
| 125252RS |
| 125253RS |
| 125254GF |
| 125254RS |
| 125255RS |
| 125256RS |
| 125257RS |
| 125258GF |
| 125258RS |
| 125259RS |
| 125260RS |
| 125261RS |
| 125262GF |
| 125262RS |
| 125263RS |
| 125264RS |
| 125265RS |

*Plain bore pilot hole. Not sized to a shaft.

For delivery information, contact customer service.



Molded Single Key



Molded Double Key



Molded Square Shaft



Molded Split

See all sprockets and idlers on pages 101-125

| Shaft Sized Bore Dia. | Teeth or Equivalent | Part Number | Part Number | Part Number | Part Number |
|-----------------------|---------------------|-------------|-------------|-------------|-------------|
| 1-1/4 | 14 | 123150S | 123154S | - | 123162S |
| 1-7/16 | 14 | 123151S | 123155S | - | 123163S |
| 1-1/2 | 14 | 123152S | 123156S | - | 123164S |
| 1-1/2 x 1-1/2 sq. | 16 | - | - | 123066S | - |
| 1-1/4 | 16 | - | 123061S | - | 123067S |
| 1-7/16 | 16 | 123058S | 123062S | - | 123068S |
| 1-1/2 | 16 | 123059S | 123063S | - | 123069S |
| 1-3/4 | 16 | 123060S | 123064S | - | 123070S |
| 1-1/2 x 1-1/2 sq. | 18 | - | - | 123080S | - |
| 1-1/4 | 18 | 123071S | 123075S | - | 123081S |
| 1-7/16 | 18 | 123072S | 123076S | - | 123082S |
| 1-1/2 | 18 | 123073S | 123077S | - | 123070S |
| 1-3/4 | 18 | 123074S | 123078S | - | 123071S |
| 1-1/2 x 1-1/2 sq. | 20 | - | - | 123094S | - |
| 1-1/4 | 20 | 123085S | 123089S | - | 123095S |
| 1-7/16 | 20 | 123086S | 123090S | - | 123096S |
| 1-1/2 | 20 | 123087S | 123091S | - | 123097S |
| 1-3/4 | 20 | 123088S | 123092S | - | 123098S |

Flat Top Belts with Rollers

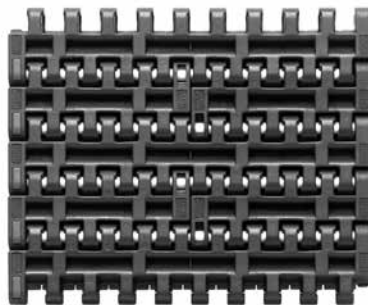
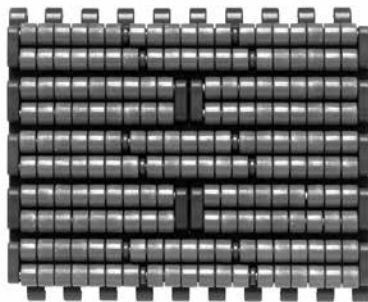
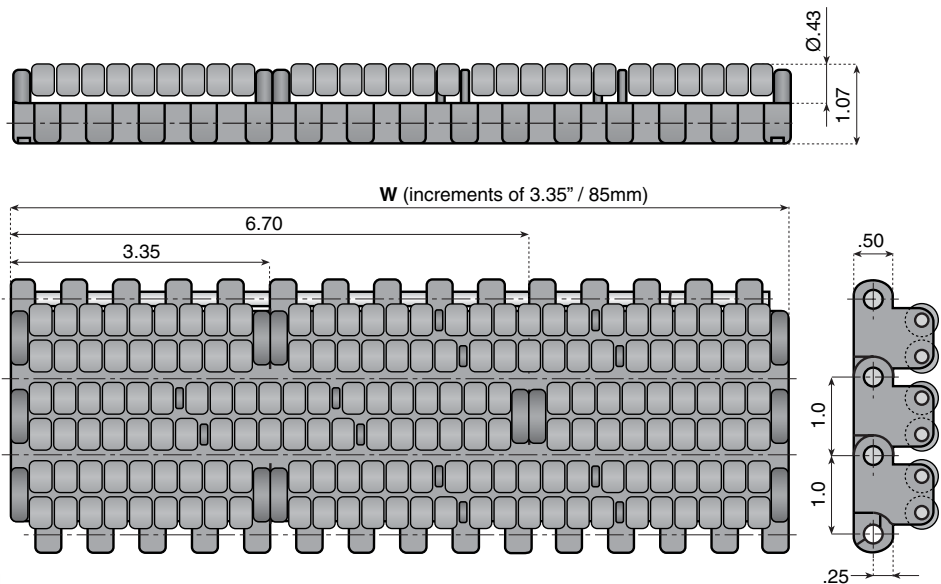
LBP 2251

Flat Top Belts with Accumulation Rollers

- Easy installation and maintenance
- Optimum product stability
- High performance
- Easy to clean
- Long wear life
- Low noise rollers

Standard Length: 5ft.

Pitches: 60



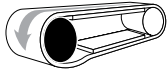
For delivery information, contact customer service.

Material: "LF Dark Grey" Low friction acetal belt. Water blue acetal resin rollers with stainless steel roller shaft.

| Chain Reference | Width (mm) | Part Number | Backflex Radius | Max Load* (lbs. per ft.) | Weight (lbs. per sq. ft.) |
|------------------|------------|-------------|-----------------|--------------------------|---------------------------|
| LFG2251LBP-M0085 | | 251800 | 4.75 | 2604 | 5.98 |
| LFG2251LBP-M0170 | | 251801 | 4.75 | 2604 | 5.98 |
| LFG2251LBP-M0255 | | 251802 | 4.75 | 2604 | 5.98 |
| LFG2251LBP-M0340 | | 251803 | 4.75 | 2604 | 5.98 |
| LFG2251LBP-M0425 | | 251804 | 4.75 | 2604 | 5.98 |
| LFG2251LBP-M0510 | | 251805 | 4.75 | 2604 | 5.98 |
| LFG2251LBP-M0595 | | 251806 | 4.75 | 2604 | 5.98 |
| LFG2251LBP-M0680 | | 251807 | 4.75 | 2604 | 5.98 |
| LFG2251LBP-M0765 | | 251808 | 4.75 | 2604 | 5.98 |
| LFG2251LBP-M0850 | | 251809 | 4.75 | 2604 | 5.98 |
| LFG2251LBP-M0935 | | 251810 | 4.75 | 2604 | 5.98 |
| LFG2251LBP-M1020 | | 251811 | 4.75 | 2604 | 5.98 |
| LFG2251LBP-M1105 | | 251812 | 4.75 | 2604 | 5.98 |
| LFG2251LBP-M1190 | | 251813 | 4.75 | 2604 | 5.98 |
| LFG2251LBP-M1275 | | 251814 | 4.75 | 2604 | 5.98 |
| LFG2251LBP-M1360 | | 251815 | 4.75 | 2604 | 5.98 |
| LFG2251LBP-M1445 | | 251816 | 4.75 | 2604 | 5.98 |
| LFG2251LBP-M1530 | | 251817 | 4.75 | 2604 | 5.98 |

*Max. load changes according to belt width. Example: max. load for a 24 inch wide belt is 2 times the lbs. per foot figure shown.

Flat Top Belts with Rollers

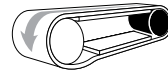


Drive Sprocket Options for LBP 2251 Flat Top Belts



Machined Split

| Shaft Sized Bore Dia. | Teeth or Equivalent | Part Number |
|-----------------------|---------------------|-------------|
| .71* | 16 | 125250GF |
| 1 | 16 | 125250S |
| 1-1/4 | 16 | 125251S |
| 1-7/16 | 16 | 125252S |
| 1-1/2 | 16 | 125253S |
| .71* | 18 | 125254GF |
| 1 | 18 | 125254S |
| 1-1/4 | 18 | 125255S |
| 1-7/16 | 18 | 125256S |
| 1-1/2 | 18 | 125257S |
| .71* | 20 | 125258GF |
| 1 | 20 | 125258S |
| 1-1/4 | 20 | 125259S |
| 1-7/16 | 20 | 125260S |
| 1-1/2 | 20 | 125261S |
| .71* | 21 | 125262GF |
| 1 | 21 | 125262S |
| 1-1/4 | 21 | 125263S |
| 1-7/16 | 21 | 125264S |
| 1-1/2 | 21 | 125265S |



Idler Options for LBP 2251 Flat Top Belts



Machined Split

| Part Number |
|-------------|
| 125250GF |
| 125250RS |
| 125251RS |
| 125252RS |
| 125253RS |
| 125254GF |
| 125254RS |
| 125255RS |
| 125256RS |
| 125257RS |
| 125258GF |
| 125258RS |
| 125259RS |
| 125260RS |
| 125261RS |
| 125262GF |
| 125262RS |
| 125263RS |
| 125264RS |
| 125265RS |

*Plain bore pilot hole. Not sized to a shaft.

For delivery information, contact customer service.



Molded Single Key



Molded Double Key



Molded Square Shaft



Molded Split

| Shaft Sized Bore Dia. | Teeth or Equivalent | Part Number | Part Number | Part Number | Part Number |
|-----------------------|---------------------|-------------|-------------|-------------|-------------|
| 1-1/4 | 14 | 123150S | 123154S | - | 123162S |
| 1-7/16 | 14 | 123151S | 123155S | - | 123163S |
| 1-1/2 | 14 | 123152S | 123156S | - | 123164S |
| 1-1/2 x 1-1/2 sq. | 16 | - | - | 123066S | - |
| 1-1/4 | 16 | - | 123061S | - | 123067S |
| 1-7/16 | 16 | 123058S | 123062S | - | 123068S |
| 1-1/2 | 16 | 123059S | 123063S | - | 123069S |
| 1-3/4 | 16 | 123060S | 123064S | - | 123070S |
| 1-1/2 x 1-1/2 sq. | 18 | - | - | 123080S | - |
| 1-1/4 | 18 | 123071S | 123075S | - | 123081S |
| 1-7/16 | 18 | 123072S | 123076S | - | 123082S |
| 1-1/2 | 18 | 123073S | 123077S | - | 123070S |
| 1-3/4 | 18 | 123074S | 123078S | - | 123071S |
| 1-1/2 x 1-1/2 sq. | 20 | - | - | 123094S | - |
| 1-1/4 | 20 | 123085S | 123089S | - | 123095S |
| 1-7/16 | 20 | 123086S | 123090S | - | 123096S |
| 1-1/2 | 20 | 123087S | 123091S | - | 123097S |
| 1-3/4 | 20 | 123088S | 123092S | - | 123098S |

See all sprockets and idlers on pages 101-125

Side Flexing Flat Top Chain-Belt

2251 TAB

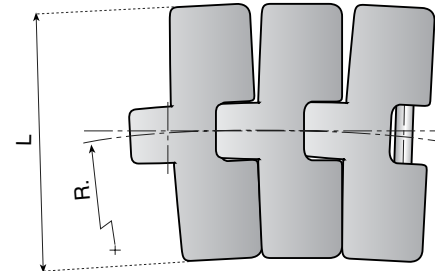
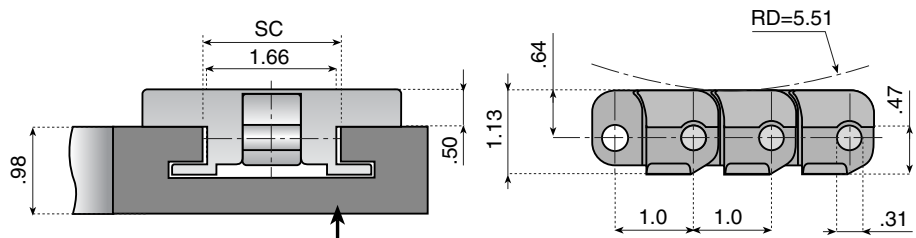
Side Flexing Chain-Belts, TAB Guides

- High strength and heavy duty flight design.
- Chain thickness and hinge design ensure high working load capacity.
- Matching height to 2252 series belts allows for standardization of conveyor design.
- Optimum product stability. Top plate design and 1 inch pitch allows for a maximum support area and smooth product transfer.

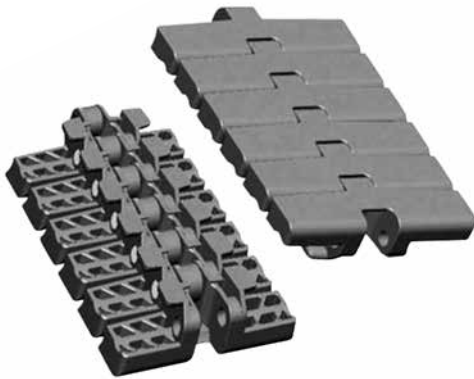
Chain-Belts solve the problem of how to incorporate side flexing needs into a straight running modular belt application. Uses standard TAB style chain tracks or guides.

Chain-Belts are designed to have the same height above the wear surface as modular belts, and a solid surface that makes them suitable for glass bottles and PET bottles, especially those with low contact area bases.

Standard Length: 10ft.
Pitches: 120



Use in combination with 2252 series belts

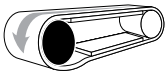


Material: "LFG Dark Grey" Low friction acetal with 304 stainless pins.

| Chain Reference | Part Number | L (width) | R min. | SC Straight | SC Curved | Max Load (lbs.) | Weight (lbs. per sq. ft.) |
|--------------------|-------------|-----------|--------|-------------|-----------|-----------------|---------------------------|
| LFG2251FT-TAB-K330 | 11325 | 3.3 | 20 | 1.81 | 1.77 | 450 | 1.28 |

Material: "NGG Light Grey" Very low friction material with 304 stainless pins.

| Chain Reference | Part Number | L (width) | R min. | SC Straight | SC Curved | Max Load (lbs.) | Weight (lbs. per sq. ft.) |
|--------------------|-------------|-----------|--------|-------------|-----------|-----------------|---------------------------|
| NGG2251FT-TAB-K330 | 11325NGG | 3.3 | 20 | 1.81 | 1.77 | 450 | 1.28 |
| NGG2251FT-TAB-K450 | 11326NGG | 4.5 | 20 | 1.81 | 1.77 | 450 | 1.28 |



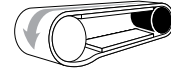
Drive Sprocket Options for 2251 TAB Chain-Belts



Machined Split

| Shaft Sized Bore Dia. | Teeth or Equivalent | Part Number |
|-----------------------|---------------------|-------------|
| .71* | 16 | 121017 |
| 1 | 16 | 321018 |
| 1-1/4 | 16 | 321019 |
| 1-7/16 | 16 | 321020 |
| 1-1/2 | 16 | - |
| .71* | 18 | 121023 |
| 1 | 18 | 321024 |
| 1-1/4 | 18 | 321025 |
| 1-7/16 | 18 | 321026 |
| 1-1/2 | 18 | 321027 |
| .71* | 19 | 121029 |
| 1 | 19 | 321030 |
| 1-1/4 | 19 | 321031 |
| 1-7/16 | 19 | 321032 |
| 1-1/2 | 19 | 321033 |

*Plain bore pilot hole. Not sized to a shaft.



Idler Options for 2251 TAB Chain-Belts

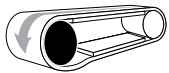


Machined Split

| Part Number |
|-------------|
| - |
| 321065 |
| 321066 |
| 321067 |
| 321068 |
| - |
| 321070 |
| 321071 |
| 321072 |
| 321073 |
| - |
| 321075 |
| 321076 |
| 321077 |
| 321078 |

See all sprockets and idlers on pages 101-125

Side Flexing Flat Top Chain-Belt



Drive Sprocket Options for 2251 TAB Chain-Belts

For delivery information, contact customer service.



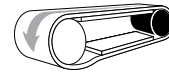
Molded Single Key



Molded Double Key



Molded Square Shaft



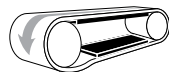
Idler Options for 2251 TAB Chain-Belts



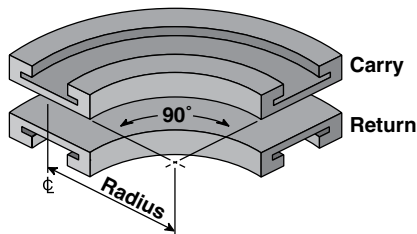
Molded Split

| Shaft Sized Bore Dia. | Teeth or Equivalent | Part Number | Part Number | Part Number | Part Number |
|-----------------------|---------------------|-------------|-------------|-------------|-------------|
| 1-1/2 x 1-1/2 sq. | 16 | - | - | 123108S | - |
| 1-1/4 | 16 | 123099S | 123103S | - | 123109S |
| 1-7/16 | 16 | 123100S | 123104S | - | 123110S |
| 1-1/2 | 16 | 123101S | 123105S | - | 123111S |
| 1-3/4 | 16 | 123102S | 123106S | - | 123112S |
| 1-1/2 x 1-1/2 sq. | 18 | - | - | 123122S | - |
| 1-1/4 | 18 | 123113S | 123117S | - | 123123S |
| 1-7/16 | 18 | 123114S | 123118S | - | 123124S |
| 1-1/2 | 18 | 123115S | 123119S | - | 123125S |
| 1-3/4 | 18 | 123116S | 123120S | - | 123126S |
| 1-1/2 x 1-1/2 sq. | 19 | - | - | 123136S | - |
| 1-1/4 | 19 | 123127S | 123131S | - | 123137S |
| 1-7/16 | 19 | 123128S | 123132S | - | 123138S |
| 1-1/2 | 19 | 123129S | 123133S | - | 123139S |
| 1-3/4 | 19 | 123130S | 123134S | - | 123140S |

See all sprockets and idlers on pages 101-125

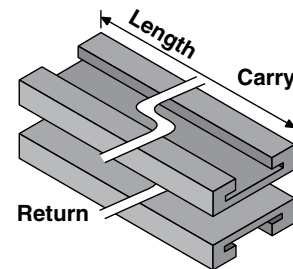


Track Options for 2251 TAB Chain-Belts



Corner Track

| Part Number | Track Width | Radius (inches) |
|------------------|-------------|-----------------|
| VT-980-T-18-0325 | 3.75 | 18 |
| VT-980-T-24-0325 | 3.75 | 24 |
| VT-980-T-24-0450 | 5.0 | 24 |



Straight Track

| Part Number | Track Width | Length (feet) |
|--------------------|-------------|---------------|
| VT-980-T-S-0325-3 | 3.75 | 3 |
| VT-980-T-S-0325-6 | 3.75 | 6 |
| VT-980-T-S-0325-10 | 3.75 | 10 |
| VT-980-T-S-0450-3 | 5.0 | 3 |
| VT-980-T-S-0450-6 | 5.0 | 6 |
| VT-980-T-S-0450-10 | 5.0 | 10 |

See all ValuTrac modules on pages 130-145

Side Flexing Flat Top Chain-Belt

2251 M

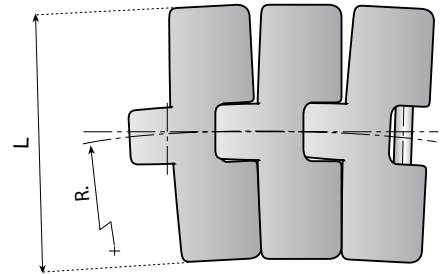
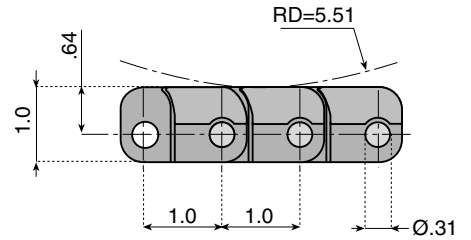
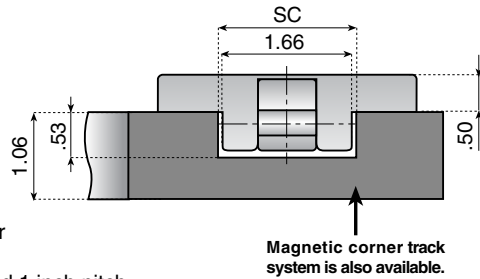
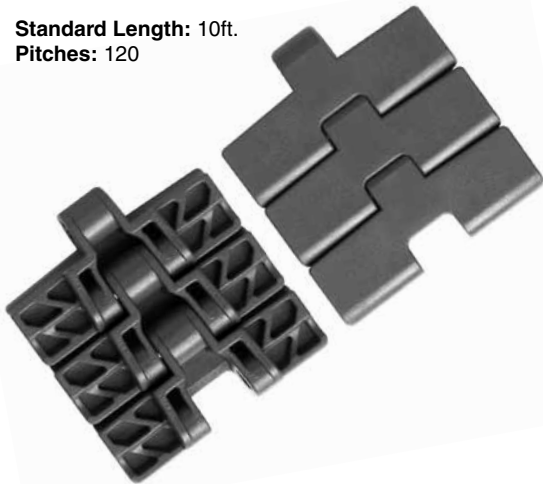
Side Flexing Chain-Belts

- High strength and heavy duty flight design.
- Chain thickness and hinge design ensure high working load capacity.
- Matching height to 2252 series belts allows for standardization of conveyor design.
- Optimum product stability. Top plate design and 1 inch pitch allows for a maximum support area and smooth product transfer.

Chain-Belts solve the problem of how to incorporate side flexing needs into a straight running modular belt application. For use with Dual Magnetic Corner Tracks.

Chain-Belts are designed to have the same height above the wear surface as modular belts, and a solid surface that makes them suitable for glass bottles and PET bottles, especially those with low contact area bases.

Standard Length: 10ft.
Pitches: 120



Use in combination with 2252 series belts



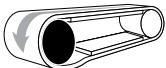
See page 146 for more information.

Material: "LFG Dark Grey" Low friction acetal with 304 stainless pins.

| Chain Reference | Part Number | L (width) | R min. | SC Straight | SC Curved | Max Load (lbs.) | Weight (lbs. per ft.) |
|------------------|-------------|-----------|--------|-------------|-----------|-----------------|-----------------------|
| LFG2251FT-M-K330 | 11322 | 3.3 | 20 | 1.77 | 1.73 | 450 | 1.18 |
| LFG2251FT-M-K450 | 11328 | 4.5 | 20 | 1.77 | 1.73 | 450 | 1.47 |

Material: "NGG Light Grey" Low friction material with 304 stainless pins.

| Chain Reference | Part Number | L (width) | R min. | SC Straight | SC Curved | Max Load (lbs.) | Weight (lbs. per ft.) |
|------------------|-------------|-----------|--------|-------------|-----------|-----------------|-----------------------|
| NGG2251FT-M-K330 | 11322NGG | 3.3 | 20 | 1.77 | 1.73 | 450 | 1.18 |
| NGG2251FT-M-K450 | 11328NGG | 4.5 | 20 | 1.77 | 1.73 | 450 | 1.47 |

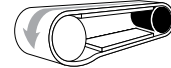


Drive Sprocket Options for 2251 M Chain-Belts



Machined Split

| Shaft Sized Bore Dia. | Teeth or Equivalent | Part Number |
|-----------------------|---------------------|-------------|
| .71* | 16 | 121017 |
| 1 | 16 | 321018 |
| 1-1/4 | 16 | 321019 |
| 1-7/16 | 16 | 321020 |
| 1-1/2 | 16 | - |
| .71* | 18 | 121023 |
| 1 | 18 | 321024 |
| 1-1/4 | 18 | 321025 |
| 1-7/16 | 18 | 321026 |
| 1-1/2 | 18 | 321027 |
| .71* | 19 | 121029 |
| 1 | 19 | 321030 |
| 1-1/4 | 19 | 321031 |
| 1-7/16 | 19 | 321032 |
| 1-1/2 | 19 | 321033 |



Idler Options for 2251 M Chain-Belts



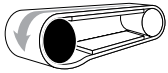
Machined Split

| Part Number |
|-------------|
| - |
| 321065 |
| 321066 |
| 321067 |
| 321068 |
| - |
| 321070 |
| 321071 |
| 321072 |
| 321073 |
| - |
| 321075 |
| 321076 |
| 321077 |
| 321078 |

See all sprockets and idlers on pages 101-125

*Plain bore pilot hole. Not sized to a shaft.

Side Flexing Flat Top Chain-Belt



Drive Sprocket Options for 2251 M Chain-Belts

For delivery information, contact customer service.



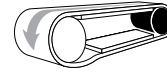
Molded Single Key



Molded Double Key



Molded Square Shaft



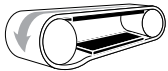
Idler Options for 2251 M Chain-Belts



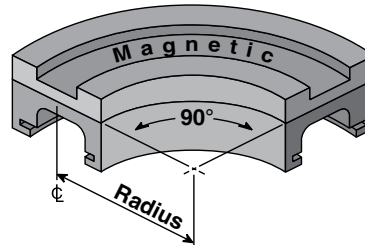
Molded Split

| Shaft Sized Bore Dia. | Teeth or Equivalent | Part Number | Part Number | Part Number | Part Number |
|-----------------------|---------------------|-------------|-------------|-------------|-------------|
| 1-1/2 x 1-1/2 sq. | 16 | - | - | 123108S | - |
| 1-1/4 | 16 | 123099S | 123103S | - | 123109S |
| 1-7/16 | 16 | 123100S | 123104S | - | 123110S |
| 1-1/2 | 16 | 123101S | 123105S | - | 123111S |
| 1-3/4 | 16 | 123102S | 123106S | - | 123112S |
| 1-1/2 x 1-1/2 sq. | 18 | - | - | 123122S | - |
| 1-1/4 | 18 | 123113S | 123117S | - | 123123S |
| 1-7/16 | 18 | 123114S | 123118S | - | 123124S |
| 1-1/2 | 18 | 123115S | 123119S | - | 123125S |
| 1-3/4 | 18 | 123116S | 123120S | - | 123126S |
| 1-1/2 x 1-1/2 sq. | 19 | - | - | 123136S | - |
| 1-1/4 | 19 | 123127S | 123131S | - | 123137S |
| 1-7/16 | 19 | 123128S | 123132S | - | 123138S |
| 1-1/2 | 19 | 123129S | 123133S | - | 123139S |
| 1-3/4 | 19 | 123130S | 123134S | - | 123140S |

See all sprockets and idlers on pages 101-125



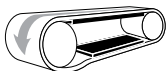
Track Options for 2251 TAB Chain-Belts / K330 Series



| Number of Tracks | Total Width | | Curve Angle | | | | | |
|------------------|-------------|--------|----------------|----------------|----------------|----------------|----------------|----------------|
| | mm | inches | 15° | 30° | 45° | 60° | 75° | 90° |
| 1 | 100 | 3.94 | KMD.16.15.01.A | KMD.16.30.01.A | KMD.16.45.01.A | KMD.16.60.01.A | KMD.16.75.01.A | KMD.16.90.01.A |
| 2 | 185 | 7.28 | KMD.16.15.02.A | KMD.16.30.02.A | KMD.16.45.02.A | KMD.16.60.02.A | KMD.16.75.02.A | KMD.16.90.02.A |
| 3 | 270 | 10.63 | KMD.16.15.03.A | KMD.16.30.03.A | KMD.16.45.03.A | KMD.16.60.03.A | KMD.16.75.03.A | KMD.16.90.03.A |
| 4 | 355 | 13.98 | KMD.16.15.04.A | KMD.16.30.04.A | KMD.16.45.04.A | KMD.16.60.04.A | KMD.16.75.04.A | KMD.16.90.04.A |

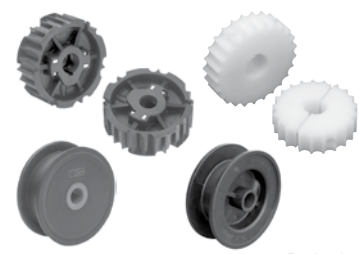
For additional number of tracks in a magnetic curve, see the chain track catalog section.

See all Magnetic Corner Tracks on pages 146-153

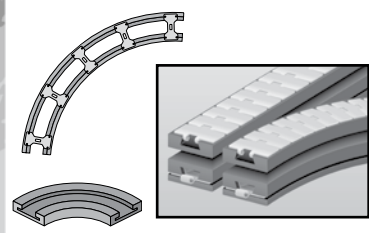


Track Options for 2251 TAB Chain-Belts / K450 Series

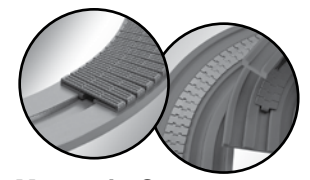
| Number of Tracks | Total Width | | Curve Angle | | | | | |
|------------------|-------------|--------|----------------|----------------|----------------|----------------|----------------|----------------|
| | mm | inches | 15° | 30° | 45° | 60° | 75° | 90° |
| 1 | 129 | 5.08 | KMD.66.15.01.A | KMD.66.30.01.A | KMD.66.45.01.A | KMD.66.60.01.A | KMD.66.75.01.A | KMD.66.90.01.A |
| 2 | 246 | 9.69 | KMD.66.15.02.A | KMD.66.30.02.A | KMD.66.45.02.A | KMD.66.60.02.A | KMD.66.75.02.A | KMD.66.90.02.A |
| 3 | 363 | 14.29 | KMD.66.15.03.A | KMD.66.30.03.A | KMD.66.45.03.A | KMD.66.60.03.A | KMD.66.75.03.A | KMD.66.90.03.A |
| 4 | 480 | 18.90 | KMD.66.15.04.A | KMD.66.30.04.A | KMD.66.45.04.A | KMD.66.60.04.A | KMD.66.75.04.A | KMD.66.90.04.A |



Sprockets Page 102
 Split Sprockets
 Heavy Duty & molded
 Idler Wheels



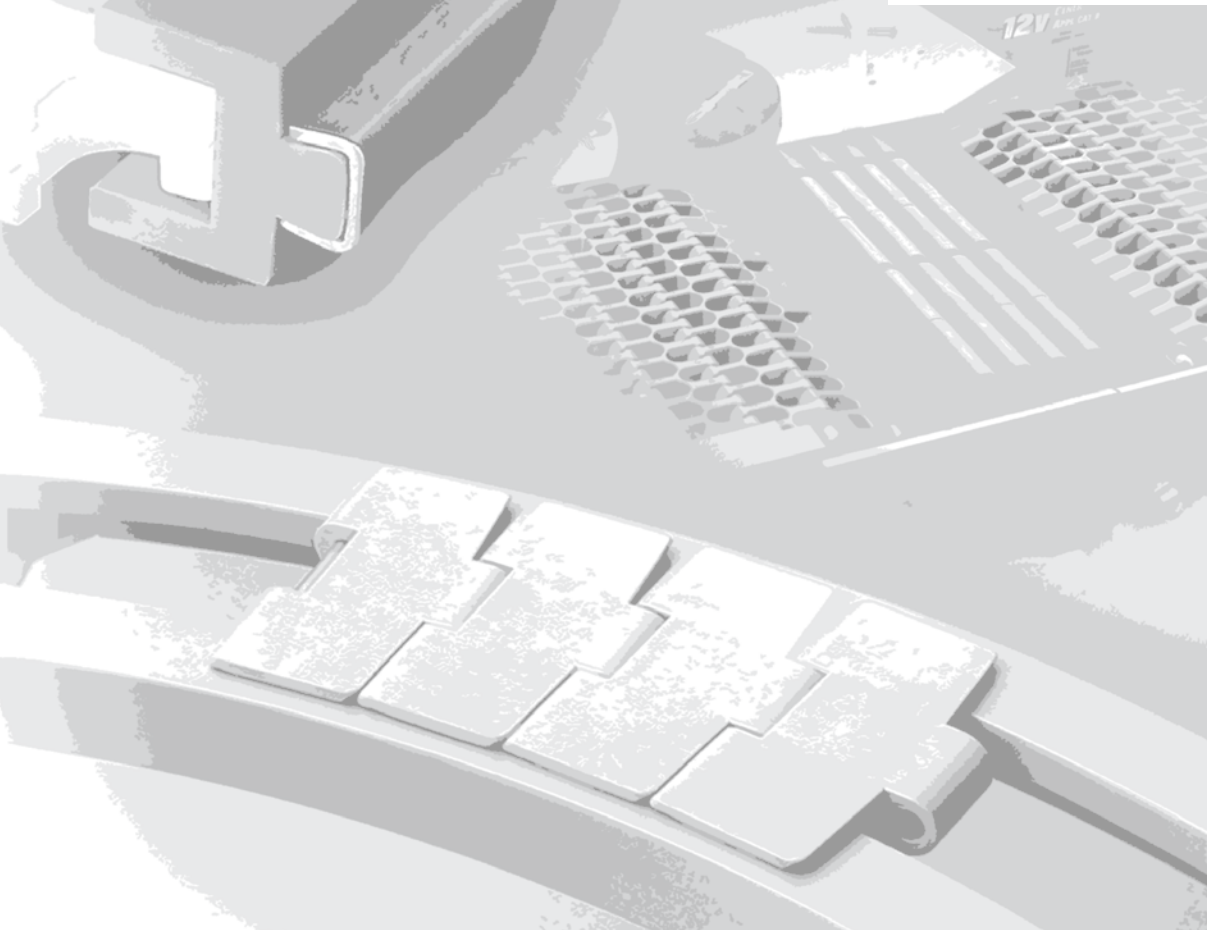
ValuTrac™ Page 130
 Bevel style modules
 Tab style modules
 Custom sizes and styles



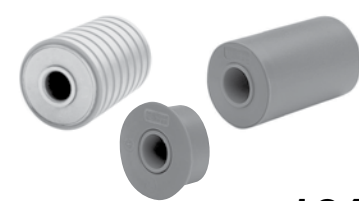
**Magnetic Corner
 Tracks Page 146**

S P R O C K E T S , W E A R S T R I P S & C O N V E Y O R C H A I N G U I D E S

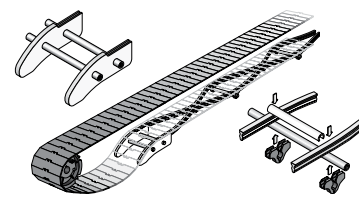
Section 2



**DynaPlate &
 Modular Transfer
 Plates Page 156**



Return Rollers...Page 164



ValuFlex™ Page 169
 Serpentine Return System
 UHMW profiles Chain Return Shoes
 SnapLock Clips Spacers
 PinchLock Clips Cross Rods

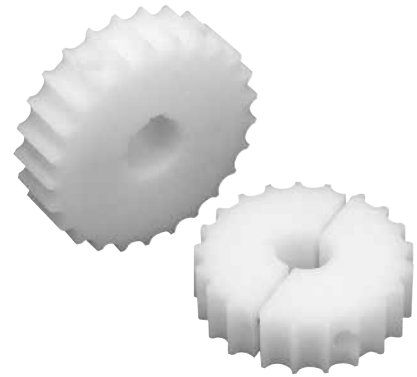


Heavy Duty Sprockets

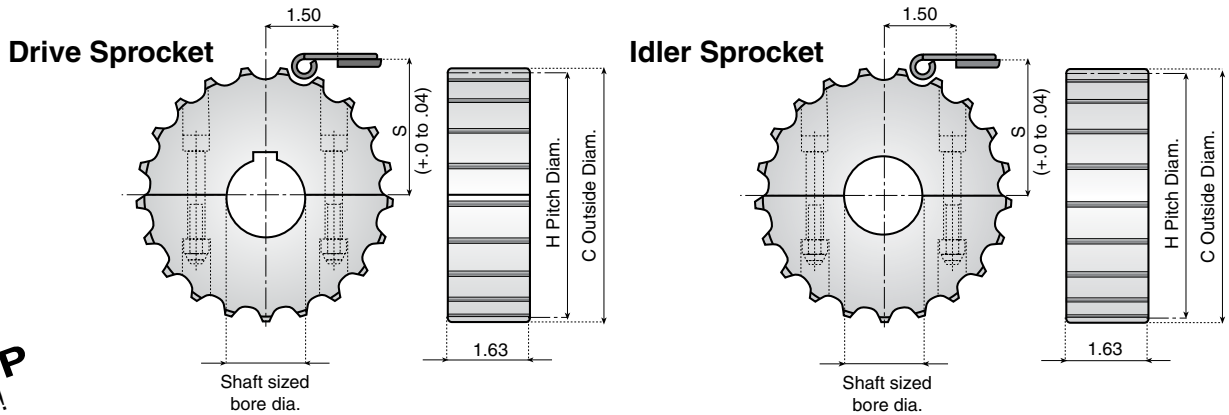
Split Sprockets & Idlers

Sprockets for Chain Series:
812, 815, 815VG, 881M, 881MO

Special shape of the sprocket teeth compensates for natural chain lengthening after prolonged use!

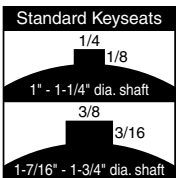


These sprockets have been machined from solid polyamide material, giving them a completely closed structure which is easier to clean and disinfect. The reinforced design of the sprocket ensures smooth running with reduced noise levels. Additional benefits include increased keyway strength, excellent chemical resistance, and long service life.

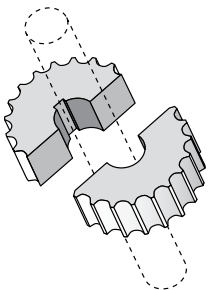


For HACCP Needs!

Material: Polyamide body, stainless steel connecting screws.



Positioning pins ensure accurate tooth alignment and aid assembly.



Save installation time with split sprockets and idler wheels.

| Sprocket Part Number | Reference Code | Idler Part Number | Reference Code | Shaft Sized Bore Dia. | Number of Teeth | Outside Diameter C | Pitch Diameter H | Shaft Center to Wear Surface S (+0 to .04) |
|----------------------|----------------|-------------------|-------------------|-----------------------|-----------------|--------------------|------------------|--|
| 12905 | 815-19MP-.71 | - | - | .71* | 19 | 4.61 | 4.62 | 2.44 |
| 12529S | 815-19MP-1 | 121239S | 815-19MP-IDL-1 | 1 | 19 | 4.61 | 4.62 | 2.44 |
| 12530S | 815-19MP-1.25 | 121240S | 815-19MP-IDL-1.25 | 1-1/4 | 19 | 4.61 | 4.62 | 2.44 |
| 12538S | 815-19MP-1.44 | 121241S | 815-19MP-IDL-1.44 | 1-7/16 | 19 | 4.61 | 4.62 | 2.44 |
| 12539S | 815-19MP-1.5 | 121242S | 815-19MP-IDL-1.5 | 1-1/2 | 19 | 4.61 | 4.62 | 2.44 |
| 12906 | 815-21MP-.71 | - | - | .71* | 21 | 5.08 | 5.09 | 2.67 |
| 12540S | 815-21MP-1 | 121243S | 815-21MP-IDL-1 | 1 | 21 | 5.08 | 5.09 | 2.67 |
| 12541S | 815-21MP-1.25 | 121244S | 815-21MP-IDL-1.25 | 1-1/4 | 21 | 5.08 | 5.09 | 2.67 |
| 12542S | 815-21MP-1.44 | 121245S | 815-21MP-IDL-1.44 | 1-7/16 | 21 | 5.08 | 5.09 | 2.67 |
| 12543S | 815-21MP-1.5 | 121246S | 815-21MP-IDL-1.5 | 1-1/2 | 21 | 5.08 | 5.09 | 2.67 |
| 12907 | 815-23MP-.71 | - | - | .71* | 23 | 5.59 | 5.56 | 2.91 |
| 12544S | 815-23MP-1 | 121247S | 815-23MP-IDL-1 | 1 | 23 | 5.59 | 5.56 | 2.91 |
| 12545S | 815-23MP-1.25 | 121248S | 815-23MP-IDL-1.25 | 1-1/4 | 23 | 5.59 | 5.56 | 2.91 |
| 12546S | 815-23MP-1.44 | 121249S | 815-23MP-IDL-1.44 | 1-7/16 | 23 | 5.59 | 5.56 | 2.91 |
| 12547S | 815-23MP-1.5 | 121250S | 815-23MP-IDL-1.5 | 1-1/2 | 23 | 5.59 | 5.56 | 2.91 |
| 12908 | 815-25MP-.71 | - | - | .71* | 25 | 6.06 | 6.03 | 3.14 |
| 12548S | 815-25MP-1 | 121251S | 815-25MP-IDL-1 | 1 | 25 | 6.06 | 6.03 | 3.14 |
| 12549S | 815-25MP-1.25 | 121252S | 815-25MP-IDL-1.25 | 1-1/4 | 25 | 6.06 | 6.03 | 3.14 |
| 12550S | 815-25MP-1.44 | 121253S | 815-25MP-IDL-1.44 | 1-7/16 | 25 | 6.06 | 6.03 | 3.14 |
| 12551S | 815-25MP-1.5 | 121254S | 815-25MP-IDL-1.5 | 1-1/2 | 25 | 6.06 | 6.03 | 3.14 |
| 121199 | 815-27MP-.71 | - | - | .71* | 27 | 6.57 | 6.50 | 3.38 |
| 121200S | 815-27MP-1 | 121255S | 815-27MP-IDL-1 | 1 | 27 | 6.57 | 6.50 | 3.38 |
| 121201S | 815-27MP-1.25 | 121256S | 815-27MP-IDL-1.25 | 1-1/4 | 27 | 6.57 | 6.50 | 3.38 |
| - | - | 121257S | 815-27MP-IDL-1.44 | 1-7/16 | 27 | 6.57 | 6.50 | 3.38 |
| 121203S | 815-27MP-1.5 | 121258S | 815-27MP-IDL-1.5 | 1-1/2 | 27 | 6.57 | 6.50 | 3.38 |

*Plain bore pilot hole. Not sized to a shaft.

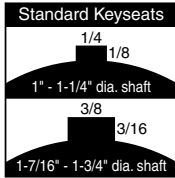
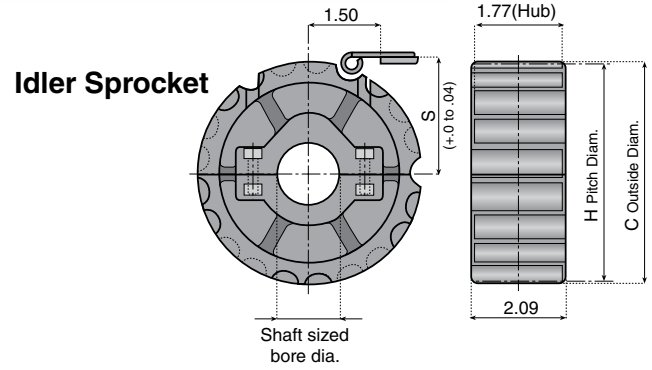
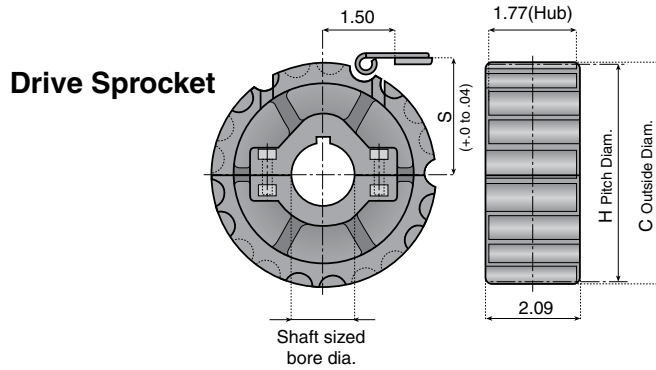


Split Sprockets & Idlers

Sprockets for Chain Series:
812, 815, 815VG, 881M, 881MO



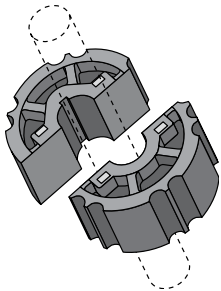
Sprockets, Wear
Strips, Chain Guides



Material: Polyamide body with stainless steel connecting screws and nuts in nickel plated brass.

| Sprocket Part Number | Reference Code | Idler Part Number | Reference Code | Shaft Sized Bore Dia. | Number of Teeth | Outside Diameter C | Pitch Diameter H | Shaft Center to Wear Surface S (+0 to .04) |
|----------------------|----------------|-------------------|------------------|-----------------------|-----------------|--------------------|------------------|--|
| 32053 | 815-21P-1 | 321080 | 815-21P-IDL-1 | 1 | 21 | 5.08 | 5.09 | 2.67 |
| 32054 | 815-21P-1.25 | 321081 | 815-21P-IDL-1.25 | 1-1/4 | 21 | 5.08 | 5.09 | 2.67 |
| 32055 | 815-21P-1.44 | 321082 | 815-21P-IDL-1.44 | 1-7/16 | 21 | 5.08 | 5.09 | 2.67 |
| 32056 | 815-21P-1.5 | 321083 | 815-21P-IDL-1.5 | 1-1/2 | 21 | 5.08 | 5.09 | 2.67 |
| 32099 | 815-23P-1 | 321085 | 815-23P-IDL-1 | 1 | 23 | 5.59 | 5.56 | 2.91 |
| 32100 | 815-23P-1.25 | 321086 | 815-23P-IDL-1.25 | 1-1/4 | 23 | 5.59 | 5.56 | 2.91 |
| 32101 | 815-23P-1.44 | 321087 | 815-23P-IDL-1.44 | 1-7/16 | 23 | 5.59 | 5.56 | 2.91 |
| 32102 | 815-23P-1.5 | 321088 | 815-23P-IDL-1.5 | 1-1/2 | 23 | 5.59 | 5.56 | 2.91 |
| 32065 | 815-25P-1 | 321090 | 815-25P-IDL-1 | 1 | 25 | 6.06 | 6.03 | 3.14 |
| 32066 | 815-25P-1.25 | 321091 | 815-25P-IDL-1.25 | 1-1/4 | 25 | 6.06 | 6.03 | 3.14 |
| 32067 | 815-25P-1.44 | 321092 | 815-25P-IDL-1.44 | 1-7/16 | 25 | 6.06 | 6.03 | 3.14 |
| 32068 | 815-25P-1.5 | 321093 | 815-25P-IDL-1.5 | 1-1/2 | 25 | 6.06 | 6.03 | 3.14 |

Positioning pins ensure accurate tooth alignment and aid assembly.



Save installation time with split sprockets and idler wheels.



Sprockets, Wear Strips, Chain Guides

Idler Wheels

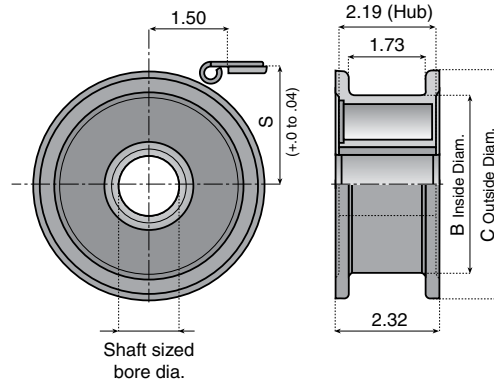
Idlers for Chain Series:

812, 815, 815VG, 820, 828, 831, 831VG, LBP831, 879, 880, 879M, 880M, 879MVG, 881, 8810, 831VG, 881M, 881MO

These idlers have an ultrasonic welded cover in reinforced polyamide that is available in black. The bushing is made of a low friction and low corrosion green resin. The reinforced design of the idler ensures smooth running with reduced noise levels.

Note: Not for use with Tab Chains.

Corrosion Resistant!



For HACCP Needs!

Material: Self lubricating polyamide body. Bushing is low friction resin.

| Idler Part Number | Reference Code | Shaft Sized Bore Dia. | Equivalent Number of Teeth | Inside Diameter B | Outside Diameter C | Shaft Center to Wear Surface S (+0 to .04) |
|-------------------|-------------------|-----------------------|----------------------------|-------------------|--------------------|--|
| 32866 | 815-21LF-IDL-1 | 1 | 21 | 4.07 | 5.10 | 2.70 |
| 32867 | 815-21LF-IDL-1.25 | 1-1/4 | 21 | 4.07 | 5.10 | 2.70 |
| 32868 | 815-21LF-IDL-1.44 | 1-7/16 | 21 | 4.07 | 5.10 | 2.70 |
| 32869 | 815-21LF-IDL-1.5 | 1-1/2 | 21 | 4.07 | 5.10 | 2.70 |
| 32874 | 815-23LF-IDL-1 | 1 | 23 | 4.07 | 5.63 | 2.94 |
| 32875 | 815-23LF-IDL-1.25 | 1-1/4 | 23 | 4.07 | 5.63 | 2.94 |
| 32876 | 815-23LF-IDL-1.44 | 1-7/16 | 23 | 4.07 | 5.63 | 2.94 |
| 32877 | 815-23LF-IDL-1.5 | 1-1/2 | 23 | 4.07 | 5.63 | 2.94 |
| 32870 | 815-25LF-IDL-1 | 1 | 25 | 4.80 | 6.08 | 3.17 |
| 32871 | 815-25LF-IDL-1.25 | 1-1/4 | 25 | 4.80 | 6.08 | 3.17 |
| 32872 | 815-25LF-IDL-1.44 | 1-7/16 | 25 | 4.80 | 6.08 | 3.17 |
| 32873 | 815-25LF-IDL-1.5 | 1-1/2 | 25 | 4.80 | 6.08 | 3.17 |



Split Idler Wheels

Idlers for Chain Series:

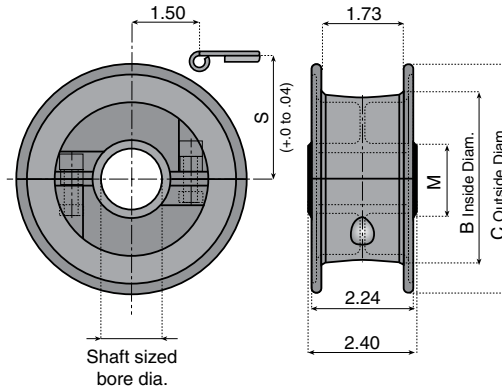
812, 815, 815VG, 820, 828, 831, 831VG, LBP831, 879, 880, 879M, 880M, 879MVG, 881, 881O, 831VG, 881M, 881MO

These reinforced idlers are molded out of self-lubricated black polyamide. Additional benefits include excellent high wear and chemical resistance, quickly replaceable, and recyclable.

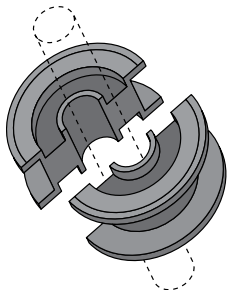
Reinforced Version!



Sprockets, Wear Strips, Chain Guides



Positioning pins ensure accurate tooth alignment and aid assembly.



Material: Self lubricating polyamide body, stainless steel screws.

| Idler Part Number | Reference Code | Shaft Sized Bore Dia. | Equivalent Number of Teeth | M | Inside Diameter B | Outside Diameter C | Shaft Center to Wear Surface S (+0 to .04) |
|-------------------|-----------------|-----------------------|----------------------------|------|-------------------|--------------------|--|
| 32077B | 815-21-IDL-1 | 1 | 21 | 1.38 | 3.82 | 5.11 | 2.70 |
| 32078B | 815-21-IDL-1.25 | 1-1/4 | 21 | 1.57 | 3.82 | 5.11 | 2.70 |
| 32079B | 815-21-IDL-1.44 | 1-7/16 | 21 | 1.77 | 3.82 | 5.11 | 2.70 |
| 32080B | 815-21-IDL-1.5 | 1-1/2 | 21 | 1.97 | 3.82 | 5.11 | 2.70 |
| 32081B | 815-25-IDL-1 | 1 | 25 | 1.38 | 4.02 | 6.09 | 3.17 |
| 32082B | 815-25-IDL-1.25 | 1-1/4 | 25 | 1.57 | 4.02 | 6.09 | 3.17 |
| 32083B | 815-25-IDL-1.44 | 1-7/16 | 25 | 1.77 | 4.02 | 6.09 | 3.17 |
| 32084B | 815-25-IDL-1.5 | 1-1/2 | 25 | 1.97 | 4.02 | 6.09 | 3.17 |

Save installation time with split idler wheels.

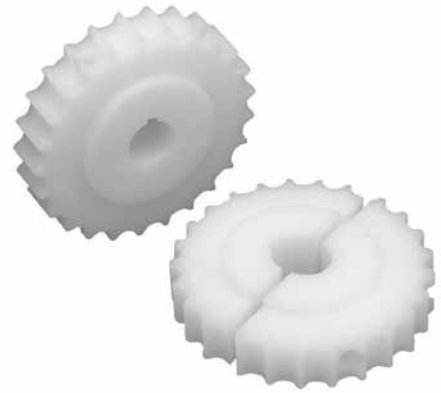


Sprockets, Wear
Strips, Chain Guides

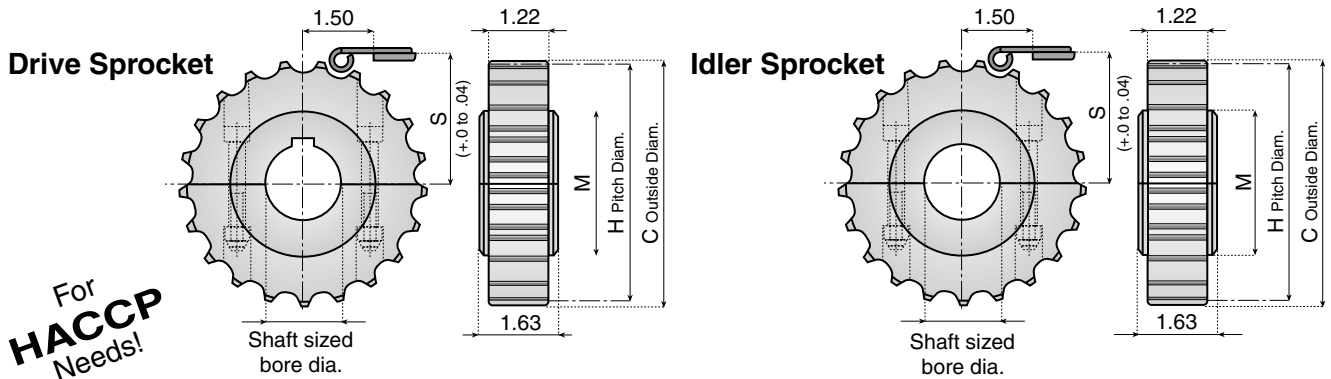
Split Sprockets & Idlers

Sprockets for Chain Series:
881, 881O, 881VG, 881T, 881OT, 881TVG

Special shape of the sprocket teeth compensates for natural chain lengthening after prolonged use!

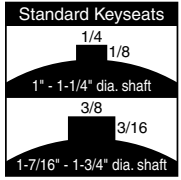


These sprockets have been machined from solid polyamide material, giving them a completely closed structure which is easier to clean and disinfect. The reinforced design of the sprocket ensures smooth running with reduced noise levels. Additional benefits include increased keyway strength, excellent chemical resistance, and long service life.

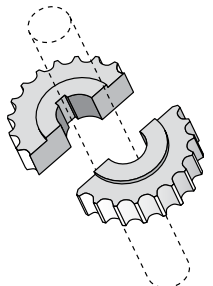


For HACCP Needs!

Material: Polyamide body, stainless steel connecting screws.



Positioning pins ensure accurate tooth alignment and aid assembly.



Save installation time with split sprockets and idler wheels.

| Sprocket Part Number | Reference Code | Idler Part Number | Reference Code | Shaft Sized Bore Dia. | Number of Teeth | Outside Diameter C | Pitch Diameter H | Shaft Center to Wear Surface S (+0 to .04) | M |
|----------------------|----------------|-------------------|-------------------|-----------------------|-----------------|--------------------|------------------|--|------|
| 12966 | 881-19MP-.71 | - | - | .71* | 19 | 4.61 | 4.62 | 2.76 | 2.44 |
| 32469 | 881-19MP-1 | 321275 | 881-19MP-IDL-1 | 1 | 19 | 4.61 | 4.62 | 2.76 | 2.44 |
| 32470 | 881-19MP-1.25 | - | - | 1-1/4 | 19 | 4.61 | 4.62 | 2.76 | 2.44 |
| 32471 | 881-19MP-1.44 | - | - | 1-7/16 | 19 | 4.61 | 4.62 | 2.76 | 2.44 |
| 32472 | 881-19MP-1.5 | 321278 | 881-19MP-IDL-1.5 | 1-1/2 | 19 | 4.61 | 4.62 | 2.76 | 2.44 |
| 12967 | 881-21MP-.71 | - | - | .71* | 21 | 5.08 | 5.09 | 2.95 | 2.67 |
| 32473 | 881-21MP-1 | 321279 | 881-21MP-IDL-1 | 1 | 21 | 5.08 | 5.09 | 2.95 | 2.67 |
| 32474 | 881-21MP-1.25 | 321280 | 881-21MP-IDL-1.25 | 1-1/4 | 21 | 5.08 | 5.09 | 2.95 | 2.67 |
| 32475 | 881-21MP-1.44 | - | - | 1-7/16 | 21 | 5.08 | 5.09 | 2.95 | 2.67 |
| 32476 | 881-21MP-1.5 | - | - | 1-1/2 | 21 | 5.08 | 5.09 | 2.95 | 2.67 |
| 12968 | 881-23MP-.71 | - | - | .71* | 23 | 5.59 | 5.56 | 3.15 | 2.91 |
| 32477 | 881-23MP-1 | 321283 | 881-23MP-IDL-1 | 1 | 23 | 5.59 | 5.56 | 3.15 | 2.91 |
| 32478 | 881-23MP-1.25 | 321284 | 881-23MP-IDL-1.25 | 1-1/4 | 23 | 5.59 | 5.56 | 3.15 | 2.91 |
| 32479 | 881-23MP-1.44 | 321285 | 881-23MP-IDL-1.44 | 1-7/16 | 23 | 5.59 | 5.56 | 3.15 | 2.91 |
| 32480 | 881-23MP-1.5 | 321286 | 881-23MP-IDL-1.5 | 1-1/2 | 23 | 5.59 | 5.56 | 3.15 | 2.91 |
| 12969 | 881-25MP-.71 | - | - | .71* | 25 | 6.06 | 6.03 | 3.54 | 3.14 |
| 32481 | 881-25MP-1 | - | - | 1 | 25 | 6.06 | 6.03 | 3.54 | 3.14 |
| 32482 | 881-25MP-1.25 | - | - | 1-1/4 | 25 | 6.06 | 6.03 | 3.54 | 3.14 |
| 32483 | 881-25MP-1.44 | 321289 | 881-25MP-IDL-1.44 | 1-7/16 | 25 | 6.06 | 6.03 | 3.54 | 3.14 |
| 32484 | 881-25MP-1.5 | 321290 | 881-25MP-IDL-1.5 | 1-1/2 | 25 | 6.06 | 6.03 | 3.54 | 3.14 |
| 121217 | 881-27MP-.71 | - | - | .71* | 27 | 6.57 | 6.50 | 3.94 | 3.38 |
| 321218 | 881-27MP-1 | - | - | 1 | 27 | 6.57 | 6.50 | 3.94 | 3.38 |
| 321219 | 881-27MP-1.25 | - | - | 1-1/4 | 27 | 6.57 | 6.50 | 3.94 | 3.38 |
| 321220 | 881-27MP-1.44 | - | - | 1-7/16 | 27 | 6.57 | 6.50 | 3.94 | 3.38 |
| 321221 | 881-27MP-1.5 | - | - | 1-1/2 | 27 | 6.57 | 6.50 | 3.94 | 3.38 |

*Plain bore pilot hole. Not sized to a shaft.

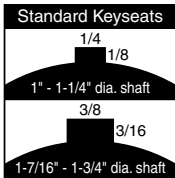
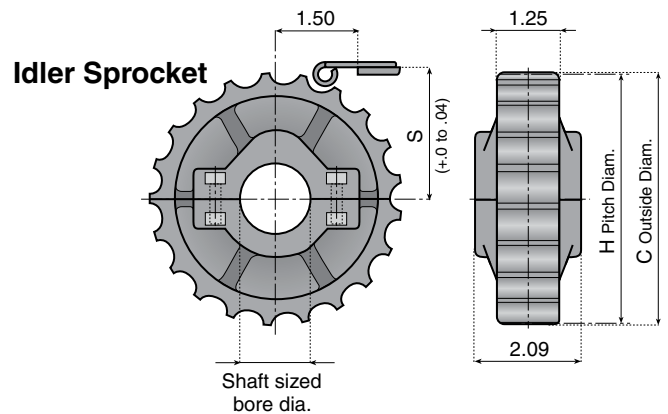
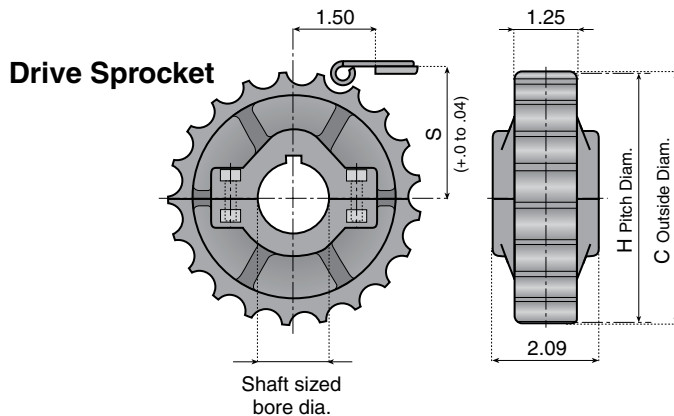


Split Sprockets & Idlers

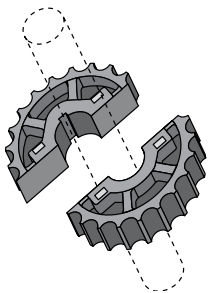
Sprockets for Chain Series:
881, 881O, 881VG, 881T, 8810T, 881TVG



Sprockets, Wear
Strips, Chain Guides



Positioning pins ensure accurate tooth alignment and aid assembly.



Save installation time with split sprockets and idler wheels.

Material: Polyamide body with stainless steel connecting screws and nuts in nickel plated brass.

| Sprocket Part Number | Reference Code | Idler Part Number | Reference Code | Shaft Sized Bore Dia. | Number of Teeth | Outside Diameter C | Pitch Diameter H | Shaft Center to Wear Surface S (+0 to .04) |
|----------------------|----------------|-------------------|------------------|-----------------------|-----------------|--------------------|------------------|--|
| 32061 | 881-21P-1 | 321110 | 881-21P-IDL-1 | 1 | 21 | 5.08 | 5.09 | 2.67 |
| 32062 | 881-21P-1.25 | - | - | 1-1/4 | 21 | 5.08 | 5.09 | 2.67 |
| 32063 | 881-21P-1.44 | - | - | 1-7/16 | 21 | 5.08 | 5.09 | 2.67 |
| 32064 | 881-21P-1.5 | - | - | 1-1/2 | 21 | 5.08 | 5.09 | 2.67 |
| 32109 | 881-23P-1 | - | - | 1 | 23 | 5.59 | 5.56 | 2.91 |
| 32110 | 881-23P-1.25 | - | - | 1-1/4 | 23 | 5.59 | 5.56 | 2.91 |
| 32111 | 881-23P-1.44 | 321117 | 881-23P-IDL-1.44 | 1-7/16 | 23 | 5.59 | 5.56 | 2.91 |
| 32112 | 881-23P-1.5 | 321118 | 881-23P-IDL-1.5 | 1-1/2 | 23 | 5.59 | 5.56 | 2.91 |
| 32073 | 881-25P-1 | 321120 | 881-25P-IDL-1 | 1 | 25 | 6.06 | 6.03 | 3.14 |
| 32074 | 881-25P-1.25 | 321121 | 881-25P-IDL-1.25 | 1-1/4 | 25 | 6.06 | 6.03 | 3.14 |
| 32075 | 881-25P-1.44 | - | - | 1-7/16 | 25 | 6.06 | 6.03 | 3.14 |
| 32076 | 881-25P-1.5 | - | - | 1-1/2 | 25 | 6.06 | 6.03 | 3.14 |



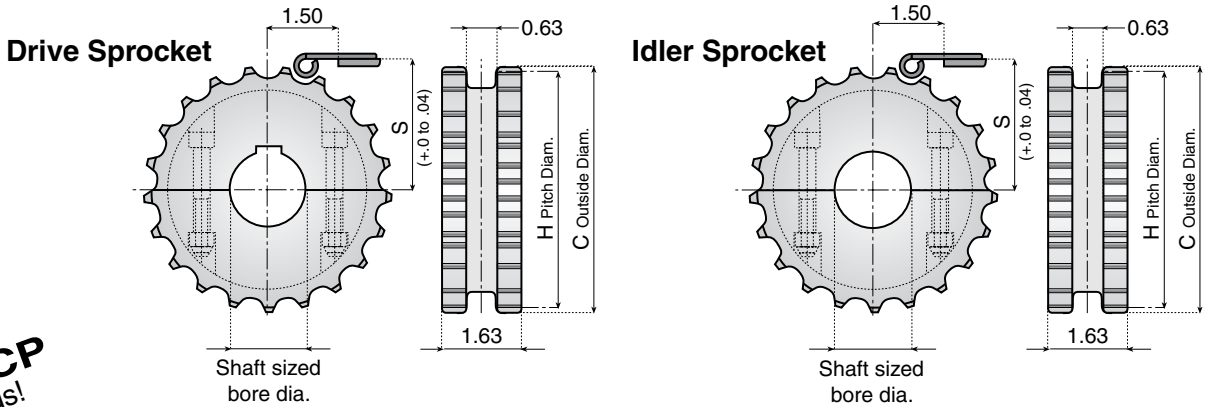
Split Sprockets & Idlers

Sprockets for Chain Series: 820, 831, LBP831, 831VG

Special shape of the sprocket teeth compensates for natural chain lengthening after prolonged use!

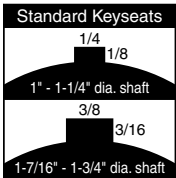


These sprockets have been machined from solid polyamide material, giving them a completely closed structure which is easier to clean and disinfect. The reinforced design of the sprocket ensures smooth running with reduced noise levels. Additional benefits include increased keyway strength, excellent chemical resistance, and long service life.

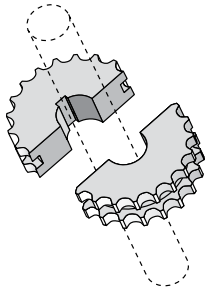


For HACCP Needs!

Material: Polyamide body, stainless steel connecting screws.



Positioning pins ensure accurate tooth alignment and aid assembly.



Save installation time with split sprockets and idler wheels.

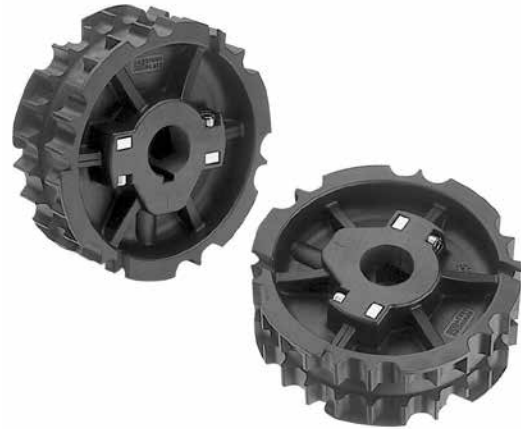
| Sprocket Part Number | Reference Code | Idler Part Number | Reference Code | Shaft Sized Bore Dia. | Number of Teeth | Outside Diameter C | Pitch Diameter H | Shaft Center to Wear Surface S (+0 to .04) |
|----------------------|----------------|-------------------|-------------------|-----------------------|-----------------|--------------------|------------------|--|
| 12961 | 820-19MP-.71 | - | - | .71* | 19 | 4.61 | 4.62 | 2.44 |
| 12924S | 820-19MP-1 | 121147S | 820-19MP-IDL-1 | 1 | 19 | 4.61 | 4.62 | 2.44 |
| 12925S | 820-19MP-1.25 | 121148S | 820-19MP-IDL-1.25 | 1-1/4 | 19 | 4.61 | 4.62 | 2.44 |
| 12926S | 820-19MP-1.44 | 121149S | 820-19MP-IDL-1.44 | 1-7/16 | 19 | 4.61 | 4.62 | 2.44 |
| 12927S | 820-19MP-1.5 | 121150S | 820-19MP-IDL-1.5 | 1-1/2 | 19 | 4.61 | 4.62 | 2.44 |
| 12962 | 820-21MP-.71 | - | - | .71* | 21 | 5.08 | 5.09 | 2.67 |
| 12928S | 820-21MP-1 | 121151S | 820-21MP-IDL-1 | 1 | 21 | 5.08 | 5.09 | 2.67 |
| 12929S | 820-21MP-1.25 | 121152S | 820-21MP-IDL-1.25 | 1-1/4 | 21 | 5.08 | 5.09 | 2.67 |
| 12930S | 820-21MP-1.44 | 121153S | 820-21MP-IDL-1.44 | 1-7/16 | 21 | 5.08 | 5.09 | 2.67 |
| 12931S | 820-21MP-1.5 | 121154S | 820-21MP-IDL-1.5 | 1-1/2 | 21 | 5.08 | 5.09 | 2.67 |
| 12963 | 820-23MP-.71 | - | - | .71* | 23 | 5.59 | 5.56 | 2.91 |
| 12932S | 820-23MP-1 | 121155S | 820-23MP-IDL-1 | 1 | 23 | 5.59 | 5.56 | 2.91 |
| 12933S | 820-23MP-1.25 | 121156S | 820-23MP-IDL-1.25 | 1-1/4 | 23 | 5.59 | 5.56 | 2.91 |
| 12934S | 820-23MP-1.44 | 121157S | 820-23MP-IDL-1.44 | 1-7/16 | 23 | 5.59 | 5.56 | 2.91 |
| 12964 | 820-25MP-.71 | - | - | .71* | 25 | 6.06 | 6.03 | 3.14 |
| 12936S | 820-25MP-1 | 121159S | 820-25MP-IDL-1 | 1 | 25 | 6.06 | 6.03 | 3.14 |
| 12937S | 820-25MP-1.25 | 121160S | 820-25MP-IDL-1.25 | 1-1/4 | 25 | 6.06 | 6.03 | 3.14 |
| 12938S | 820-25MP-1.44 | 121161S | 820-25MP-IDL-1.44 | 1-7/16 | 25 | 6.06 | 6.03 | 3.14 |
| 12939S | 820-25MP-1.5 | 121162S | 820-25MP-IDL-1.5 | 1-1/2 | 25 | 6.06 | 6.03 | 3.14 |
| 121125 | 820-27MP-.71 | - | - | .71* | 27 | 6.57 | 6.50 | 3.38 |
| 121126S | 820-27MP-1 | 121163S | 820-27MP-IDL-1 | 1 | 27 | 6.57 | 6.50 | 3.38 |
| 121127S | 820-27MP-1.25 | 121164S | 820-27MP-IDL-1.25 | 1-1/4 | 27 | 6.57 | 6.50 | 3.38 |
| 121128S | 820-27MP-1.44 | 121165S | 820-27MP-IDL-1.44 | 1-7/16 | 27 | 6.57 | 6.50 | 3.38 |
| 121129S | 820-27MP-1.5 | 121166S | 820-27MP-IDL-1.5 | 1-1/2 | 27 | 6.57 | 6.50 | 3.38 |

*Plain bore pilot hole. Not sized to a shaft.

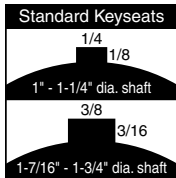
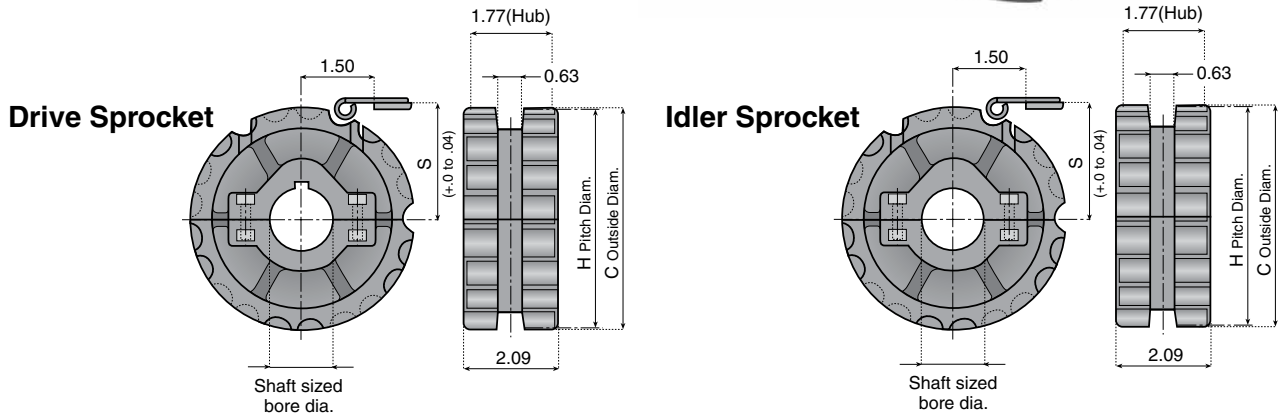


Split Sprockets & Idlers

Sprockets for Chain Series:
820, 831, LBP831, 831VG



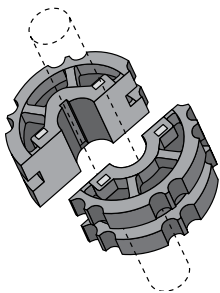
Sprockets, Wear
Strips, Chain Guides



Material: Polyamide body with stainless steel connecting screws and nuts in nickel plated brass.

| Sprocket Part Number | Reference Code | Idler Part Number | Reference Code | Shaft Sized Bore Dia. | Number of Teeth | Outside Diameter C | Pitch Diameter H | Shaft Center to Wear Surface S (+0 to .04) |
|----------------------|----------------|-------------------|------------------|-----------------------|-----------------|--------------------|------------------|--|
| 32057 | 820-21P-1 | 321095 | 820-21P-IDL-1 | 1 | 21 | 5.08 | 5.09 | 2.67 |
| 32058 | 820-21P-1.25 | 321096 | 820-21P-IDL-1.25 | 1-1/4 | 21 | 5.08 | 5.09 | 2.67 |
| 32059 | 820-21P-1.44 | 321097 | 820-21P-IDL-1.44 | 1-7/16 | 21 | 5.08 | 5.09 | 2.67 |
| 32060 | 820-21P-1.5 | 321098 | 820-21P-IDL-1.5 | 1-1/2 | 21 | 5.08 | 5.09 | 2.67 |
| 32104 | 820-23P-1 | 321100 | 820-23P-IDL-1 | 1 | 23 | 5.59 | 5.56 | 2.91 |
| 32105 | 820-23P-1.25 | 321101 | 820-23P-IDL-1.25 | 1-1/4 | 23 | 5.59 | 5.56 | 2.91 |
| 32106 | 820-23P-1.44 | 321102 | 820-23P-IDL-1.44 | 1-7/16 | 23 | 5.59 | 5.56 | 2.91 |
| 32107 | 820-23P-1.5 | 321103 | 820-23P-IDL-1.5 | 1-1/2 | 23 | 5.59 | 5.56 | 2.91 |
| 32069 | 820-25P-1 | 321105 | 820-25P-IDL-1 | 1 | 25 | 6.06 | 6.03 | 3.14 |
| 32070 | 820-25P-1.25 | 321106 | 820-25P-IDL-1.25 | 1-1/4 | 25 | 6.06 | 6.03 | 3.14 |
| 32071 | 820-25P-1.44 | 321107 | 820-25P-IDL-1.44 | 1-7/16 | 25 | 6.06 | 6.03 | 3.14 |
| 32072 | 820-25P-1.5 | 321108 | 820-25P-IDL-1.5 | 1-1/2 | 25 | 6.06 | 6.03 | 3.14 |

Positioning pins ensure accurate tooth alignment and aid assembly.



Save installation time with split sprockets and idler wheels.



Split Sprockets & Idlers

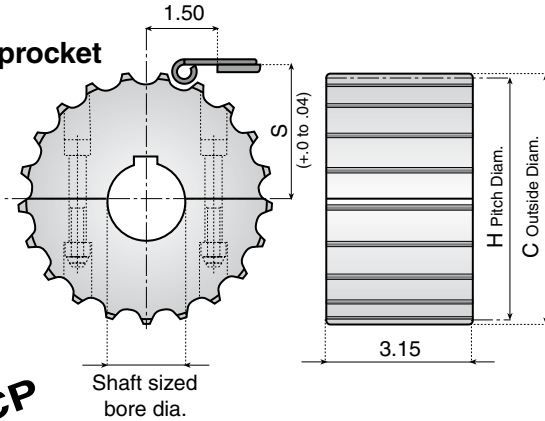
Sprockets for Chain Series: 821, LBP821, 821VG

These sprockets have been machined from solid polyamide material, giving them a completely closed structure which is easier to clean and disinfect. The reinforced design of the sprocket ensures smooth running with reduced noise levels. Additional benefits include increased keyway strength, excellent chemical resistance, and long service life.

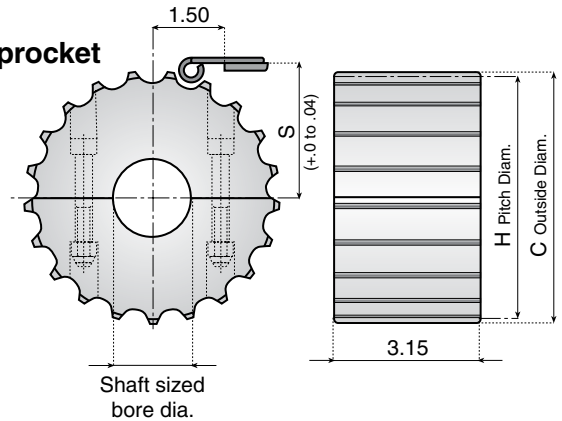


Special shape of the sprocket teeth compensates for natural chain lengthening after prolonged use!

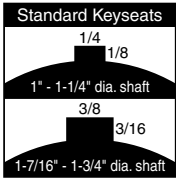
Drive Sprocket



Idler Sprocket



For HACCP Needs!

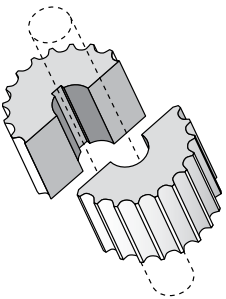


Material: Polyamide body, stainless steel connecting screws.

| Sprocket Part Number | Reference Code | Idler Part Number | Reference Code | Shaft Sized Bore Dia. | Number of Teeth | Outside Diameter C | Pitch Diameter H | Shaft Center to Wear Surface S (+0 to .04) |
|----------------------|----------------|-------------------|-------------------|-----------------------|-----------------|--------------------|------------------|--|
| 12901 | 821-21MP-.71 | - | - | .71* | 21 | 5.08 | 5.09 | 2.67 |
| 12284S | 821-21MP-1 | 121329S | 821-21MP-IDL-1 | 1 | 21 | 5.08 | 5.09 | 2.67 |
| 12285S | 821-21MP-1.25 | 121330S | 821-21MP-IDL-1.25 | 1-1/4 | 21 | 5.08 | 5.09 | 2.67 |
| 12286S | 821-21MP-1.44 | 121331S | 821-21MP-IDL-1.44 | 1-7/16 | 21 | 5.08 | 5.09 | 2.67 |
| 12287S | 821-21MP-1.5 | 121332S | 821-21MP-IDL-1.5 | 1-1/2 | 21 | 5.08 | 5.09 | 2.67 |
| 12902 | 821-23MP-.71 | - | - | .71* | 23 | 5.59 | 5.56 | 2.91 |
| 12288S | 821-23MP-1 | 121333S | 821-23MP-IDL-1 | 1 | 23 | 5.59 | 5.56 | 2.91 |
| 12289S | 821-23MP-1.25 | 121334S | 821-23MP-IDL-1.25 | 1-1/4 | 23 | 5.59 | 5.56 | 2.91 |
| 12290S | 821-23MP-1.44 | 121335S | 821-23MP-IDL-1.44 | 1-7/16 | 23 | 5.59 | 5.56 | 2.91 |
| 12291S | 821-23MP-1.5 | 121336S | 821-23MP-IDL-1.5 | 1-1/2 | 23 | 5.59 | 5.56 | 2.91 |
| 12903 | 821-25MP-.71 | - | - | .71* | 25 | 6.06 | 6.03 | 3.14 |
| 12292S | 821-25MP-1 | 121337S | 821-25MP-IDL-1 | 1 | 25 | 6.06 | 6.03 | 3.14 |
| 12293S | 821-25MP-1.25 | 121338S | 821-25MP-IDL-1.25 | 1-1/4 | 25 | 6.06 | 6.03 | 3.14 |
| 12294S | 821-25MP-1.44 | 121339S | 821-25MP-IDL-1.44 | 1-7/16 | 25 | 6.06 | 6.03 | 3.14 |
| 12295S | 821-25MP-1.5 | 121340S | 821-25MP-IDL-1.5 | 1-1/2 | 25 | 6.06 | 6.03 | 3.14 |
| 121307 | 821-27MP-.71 | - | - | .71* | 27 | 6.57 | 6.50 | 3.38 |
| 121308S | 821-27MP-1 | 121341S | 821-27MP-IDL-1 | 1 | 27 | 6.57 | 6.50 | 3.38 |
| 121309S | 821-27MP-1.25 | 121342S | 821-27MP-IDL-1.25 | 1-1/4 | 27 | 6.57 | 6.50 | 3.38 |
| 121310S | 821-27MP-1.44 | 121343S | 821-27MP-IDL-1.44 | 1-7/16 | 27 | 6.57 | 6.50 | 3.38 |
| 121311S | 821-27MP-1.5 | 121344S | 821-27MP-IDL-1.5 | 1-1/2 | 27 | 6.57 | 6.50 | 3.38 |

*Plain bore pilot hole. Not sized to a shaft.

Positioning pins ensure accurate tooth alignment and aid assembly.



Save installation time with split sprockets and idler wheels.



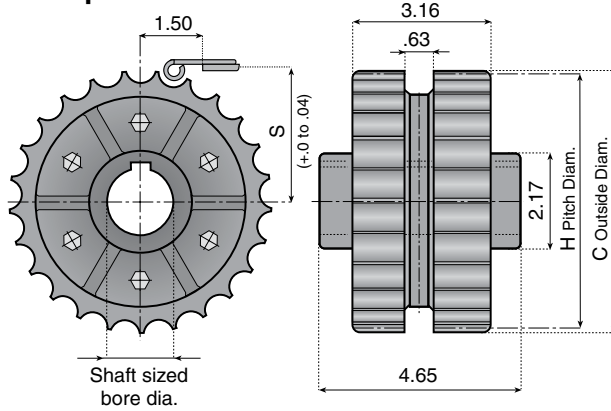
Sprockets & Idlers

Sprockets for Chain Series:
821, LBP821, 821VG

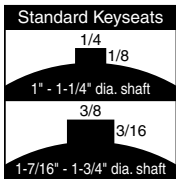
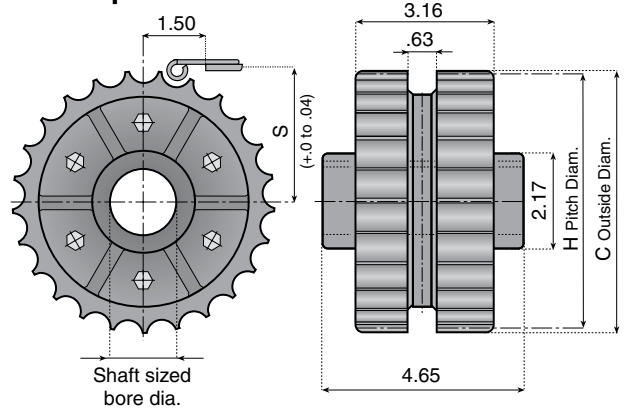


Sprockets, Wear
Strips, Chain Guides

Drive Sprocket



Idler Sprocket



Material: Polyamide body, stainless steel connecting screws.

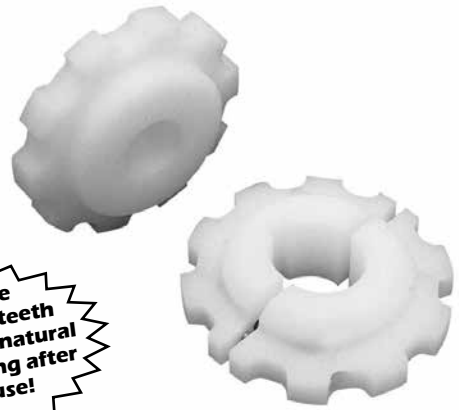
| Sprocket Part Number | Idler Part Number | Shaft Sized Bore Dia. | Number of Teeth | Outside Diameter C | Pitch Diameter H | Shaft Center to Wear Surface S (+0 to .04) |
|----------------------|-------------------|-----------------------|-----------------|--------------------|------------------|--|
| 32085 | 32089 | 1 | 25 | 6.06 | 6.03 | 3.14 |
| 32086 | 32090 | 1-1/4 | 25 | 6.06 | 6.03 | 3.14 |
| 32086S | 32090S | 1-7/16 | 25 | 6.06 | 6.03 | 3.14 |
| 32087 | 32092 | 1-1/2 | 25 | 6.06 | 6.03 | 3.14 |



Split Sprockets & Idlers

Sprockets for Chain Series:
828, 878TAB, 878TAB VG, 879, 879TAB, 879M,
879TAB VG, 880, 880TAB, 880M, 878TGS, LBP878T

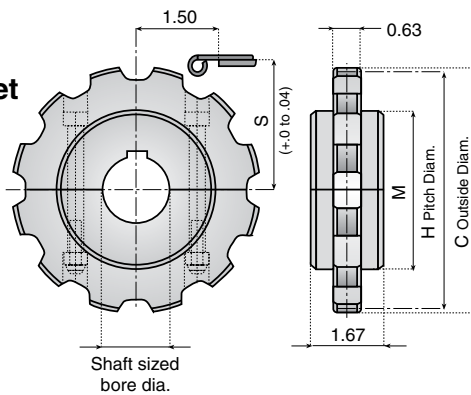
These sprockets have been machined from solid polyamide material, giving them a completely closed structure which is easier to clean and disinfect. The reinforced design of the sprocket ensures smooth running with reduced noise levels. Additional benefits include increased keyway strength, excellent chemical resistance, and long service life.



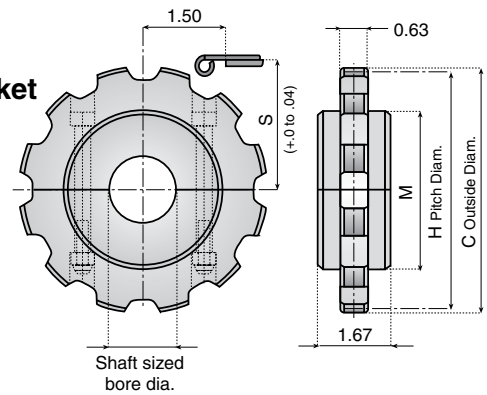
Special shape of the sprocket teeth compensates for natural chain lengthening after prolonged use!

Sprockets, Wear Strips, Chain Guides

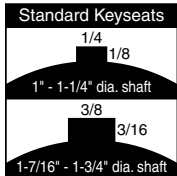
Drive Sprocket



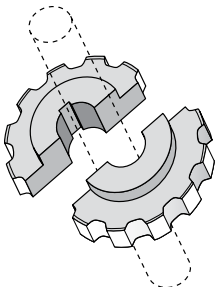
Idler Sprocket



For HACCP Needs!



Positioning pins ensure accurate tooth alignment and aid assembly.



Save installation time with split sprockets and idler wheels.

Material: Polyamide body, stainless steel connecting screws.

| Sprocket Part Number | Reference Code | Idler Part Number | Reference Code | Shaft Sized Bore Dia. | Number of Teeth | Outside Diameter C | Pitch Diameter H | M | Shaft Center to Wear Surface S (+0 to .04) |
|----------------------|----------------|-------------------|-------------------|-----------------------|-----------------|--------------------|------------------|------|--|
| 12910 | 880-9MP-.71 | - | - | .71* | 9 | 4.33 | 4.39 | 2.95 | 2.33 |
| 12382S | 880-9MP-1 | 121752S | 880-9MP-IDL-1 | 1 | 9 | 4.33 | 4.39 | 2.95 | 2.33 |
| 12383S | 880-9MP-1.25 | 121753S | 880-9MP-IDL-1.25 | 1-1/4 | 9 | 4.33 | 4.39 | 2.95 | 2.33 |
| 12384S | 880-9MP-1.44 | 121754S | 880-9MP-IDL-1.44 | 1-7/16 | 9 | 4.33 | 4.39 | 2.95 | 2.33 |
| 12385S | 880-9MP-1.5 | 121755S | 880-9MP-IDL-1.5 | 1-1/2 | 9 | 4.33 | 4.39 | 2.95 | 2.33 |
| 12911 | 880-10MP-.71 | - | - | .71* | 10 | 4.80 | 4.85 | 3.35 | 2.45 |
| 12386S | 880-10MP-1 | 121756S | 880-10MP-IDL-1 | 1 | 10 | 4.80 | 4.85 | 3.35 | 2.45 |
| 12387S | 880-10MP-1.25 | 121757S | 880-10MP-IDL-1.25 | 1-1/4 | 10 | 4.80 | 4.85 | 3.35 | 2.45 |
| 12388S | 880-10MP-1.44 | 121758S | 880-10MP-IDL-1.44 | 1-7/16 | 10 | 4.80 | 4.85 | 3.35 | 2.45 |
| 12389S | 880-10MP-1.5 | 121759S | 880-10MP-IDL-1.5 | 1-1/2 | 10 | 4.80 | 4.85 | 3.35 | 2.45 |
| 12912 | 880-11MP-.71 | - | - | .71* | 11 | 5.31 | 5.32 | 3.54 | 2.80 |
| 12390S | 880-11MP-1 | 121760S | 880-11MP-IDL-1 | 1 | 11 | 5.31 | 5.32 | 3.54 | 2.80 |
| 12391S | 880-11MP-1.25 | 121761S | 880-11MP-IDL-1.25 | 1-1/4 | 11 | 5.31 | 5.32 | 3.54 | 2.80 |
| 12392S | 880-11MP-1.44 | 121762S | 880-11MP-IDL-1.44 | 1-7/16 | 11 | 5.31 | 5.32 | 3.54 | 2.80 |
| 12393S | 880-11MP-1.5 | 121763S | 880-11MP-IDL-1.5 | 1-1/2 | 11 | 5.31 | 5.32 | 3.54 | 2.80 |
| 12913 | 880-12MP-.71 | - | - | .71* | 12 | 5.80 | 5.80 | 3.74 | 3.04 |
| 12394S | 880-12MP-1 | 121764S | 880-12MP-IDL-1 | 1 | 12 | 5.80 | 5.80 | 3.74 | 3.04 |
| 12395S | 880-12MP-1.25 | 121765S | 880-12MP-IDL-1.25 | 1-1/4 | 12 | 5.80 | 5.80 | 3.74 | 3.04 |
| 12396S | 880-12MP-1.44 | 121766S | 880-12MP-IDL-1.44 | 1-7/16 | 12 | 5.80 | 5.80 | 3.74 | 3.04 |
| 12397S | 880-12MP-1.5 | 121767S | 880-12MP-IDL-1.5 | 1-1/2 | 12 | 5.80 | 5.80 | 3.74 | 3.04 |

*Plain bore pilot hole. Not sized to a shaft.



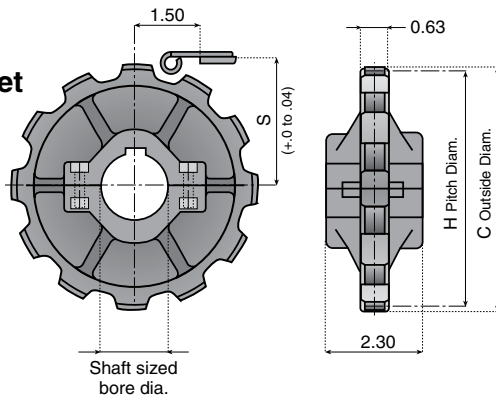
Split Sprockets & Idlers

Sprockets for Chain Series:
 828, 878TAB, 878TAB VG, 879, 879TAB,
 879M, 879TAB VG, 880, 880TAB,
 880M, 878TGS, LBP878T

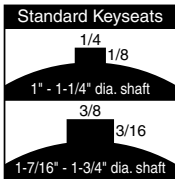
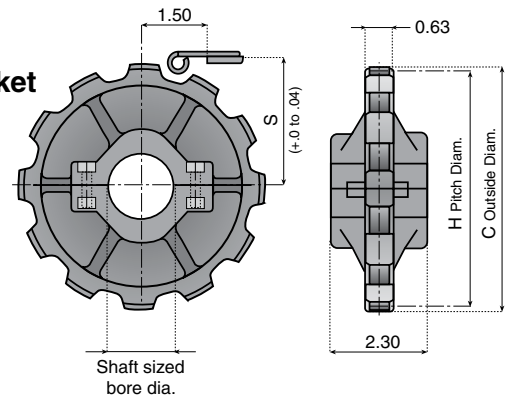


Sprockets, Wear
 Strips, Chain Guides

Drive Sprocket



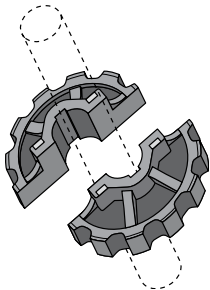
Idler Sprocket



Material: Polyamide body with stainless steel connecting screws and nuts in nickel plated brass.

| Sprocket Part Number | Reference Code | Idler Part Number | Reference Code | Shaft Sized Bore Dia. | Number of Teeth | Outside Diameter C | Pitch Diameter H | Shaft Center to Wear Surface S (+0 to .04) |
|----------------------|----------------|-------------------|------------------|-----------------------|-----------------|--------------------|------------------|--|
| 321001 | 880-10P-1 | 321005 | 880-10P-IDL-1 | 1 | 10 | 4.80 | 4.85 | 2.57 |
| 321002 | 880-10P-1.25 | 321006 | 880-10P-IDL-1.25 | 1-1/4 | 10 | 4.80 | 4.85 | 2.57 |
| 321003 | 880-10P-1.44 | 321007 | 880-10P-IDL-1.44 | 1-7/16 | 10 | 4.80 | 4.85 | 2.57 |
| 321004 | 880-10P-1.5 | 321008 | 880-10P-IDL-1.5 | 1-1/2 | 10 | 4.80 | 4.85 | 2.57 |
| 32400 | 880-12P-1 | 32403 | 880-12P-IDL-1 | 1 | 12 | 5.80 | 5.80 | 3.04 |
| 32711 | 880-12P-1.25 | 32404 | 880-12P-IDL-1.25 | 1-1/4 | 12 | 5.80 | 5.80 | 3.04 |
| 32401 | 880-12P-1.44 | 32405 | 880-12P-IDL-1.44 | 1-7/16 | 12 | 5.80 | 5.80 | 3.04 |
| 32402 | 880-12P-1.5 | 32406 | 880-12P-IDL-1.5 | 1-1/2 | 12 | 5.80 | 5.80 | 3.04 |

Positioning pins ensure accurate tooth alignment and aid assembly.



Save installation time with split sprockets and idler wheels.

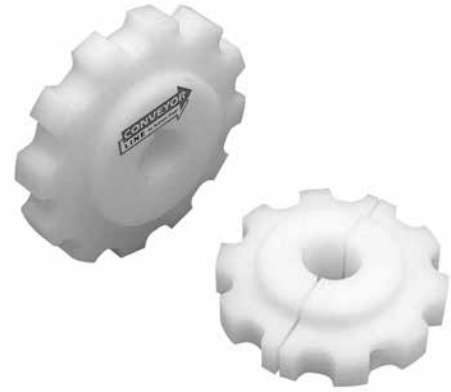


Split Sprockets & Idlers

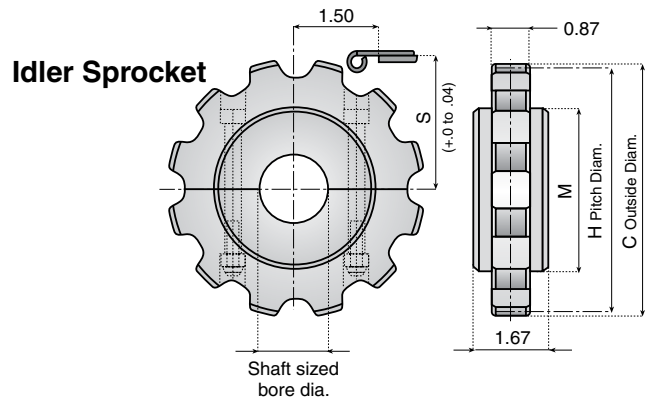
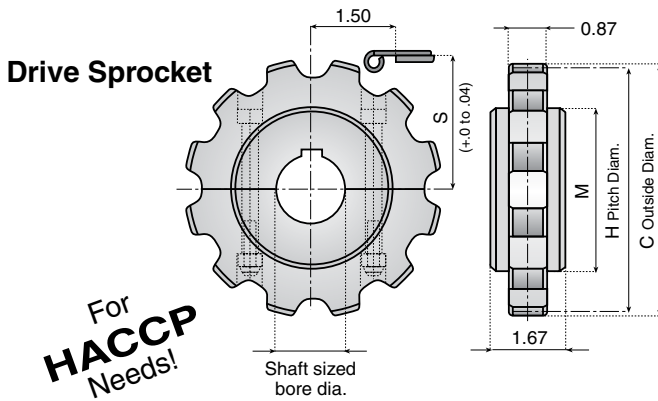
Sprockets for Chain Series:
882, 882M, 882T, 882TVG, LBP882T

These sprockets have been machined from solid polyamide material, giving them a completely closed structure which is easier to clean and disinfect. The reinforced design of the sprocket ensures smooth running with reduced noise levels. Additional benefits include increased keyway strength, excellent chemical resistance, and long service life.

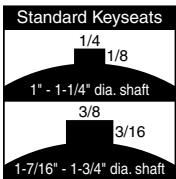
Special shape of the sprocket teeth compensates for natural chain lengthening after prolonged use!



Sprockets, Wear Strips, Chain Guides



For HACCP Needs!

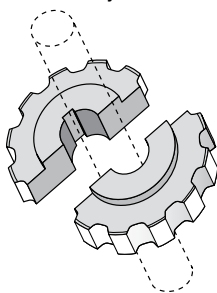


Material: Polyamide body, stainless steel connecting screws.

| Sprocket Part Number | Reference Code | Idler Part Number | Reference Code | Shaft Sized Bore Dia. | Number of Teeth | Outside Diameter C | Pitch Diameter H | M | Shaft Center to Wear Surface S (+0 to .04) |
|----------------------|----------------|-------------------|-------------------|-----------------------|-----------------|--------------------|------------------|------|--|
| 12914 | 882-9MP-.71 | - | - | .71* | 9 | 4.41 | 4.39 | 2.36 | 2.38 |
| 12346S | 882-9MP-1 | 121768S | 882-9MP-IDL-1 | 1 | 9 | 4.41 | 4.39 | 2.36 | 2.38 |
| 12347S | 882-9MP-1.25 | 121769S | 882-9MP-IDL-1.25 | 1-1/4 | 9 | 4.41 | 4.39 | 2.36 | 2.38 |
| 12347SK | 882-9MP-1.44 | 121769SK | 882-9MP-IDL-1.44 | 1-7/16 | 9 | 4.41 | 4.39 | 2.36 | 2.38 |
| 12348S | 882-9MP-1.5 | 121770S | 882-9MP-IDL-1.5 | 1-1/2 | 9 | 4.41 | 4.39 | 2.36 | 2.38 |
| 12915 | 882-10MP-.71 | - | - | .71* | 10 | 4.92 | 4.85 | 2.95 | 2.61 |
| 12349S | 882-10MP-1 | 121771S | 882-10MP-IDL-1 | 1 | 10 | 4.92 | 4.85 | 2.95 | 2.61 |
| 12350S | 882-10MP-1.25 | 121772S | 882-10MP-IDL-1.25 | 1-1/4 | 10 | 4.92 | 4.85 | 2.95 | 2.61 |
| 12350SK | 882-10MP-1.44 | 121772SK | 882-10MP-IDL-1.44 | 1-7/16 | 10 | 4.92 | 4.85 | 2.95 | 2.61 |
| 12351S | 882-10MP-1.5 | 121773S | 882-10MP-IDL-1.5 | 1-1/2 | 10 | 4.92 | 4.85 | 2.95 | 2.61 |
| 12916 | 882-11MP-.71 | - | - | .71* | 11 | 5.39 | 5.32 | 3.35 | 2.85 |
| 12352S | 882-11MP-1 | 121774S | 882-11MP-IDL-1 | 1 | 11 | 5.39 | 5.32 | 3.35 | 2.85 |
| 12353S | 882-11MP-1.25 | 121775S | 882-11MP-IDL-1.25 | 1-1/4 | 11 | 5.39 | 5.32 | 3.35 | 2.85 |
| 12353SK | 882-11MP-1.44 | 121775SK | 882-11MP-IDL-1.44 | 1-7/16 | 11 | 5.39 | 5.32 | 3.35 | 2.85 |
| 12354S | 882-11MP-1.5 | 121776S | 882-11MP-IDL-1.5 | 1-1/2 | 11 | 5.39 | 5.32 | 3.35 | 2.85 |
| 12917 | 882-12MP-.71 | - | - | .71* | 12 | 5.87 | 5.80 | 3.54 | 3.09 |
| 12355S | 882-12MP-1 | 121777S | 882-12MP-IDL-1 | 1 | 12 | 5.87 | 5.80 | 3.54 | 3.09 |
| 12356S | 882-12MP-1.25 | 121778S | 882-12MP-IDL-1.25 | 1-1/4 | 12 | 5.87 | 5.80 | 3.54 | 3.09 |
| 12356SK | 882-12MP-1.44 | 121778SK | 882-12MP-IDL-1.44 | 1-7/16 | 12 | 5.87 | 5.80 | 3.54 | 3.09 |
| 12357S | 882-12MP-1.5 | 121779S | 882-12MP-IDL-1.5 | 1-1/2 | 12 | 5.87 | 5.80 | 3.54 | 3.09 |

*Plain bore pilot hole. Not sized to a shaft.

Positioning pins ensure accurate tooth alignment and aid assembly.



Save installation time with split sprockets and idler wheels.



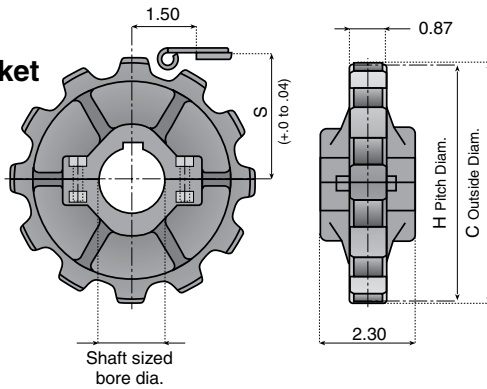
Split Sprockets & Idlers

Sprockets for Chain Series:
882, 882M, 882T, 882TVG, LBP882T

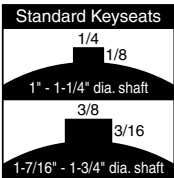
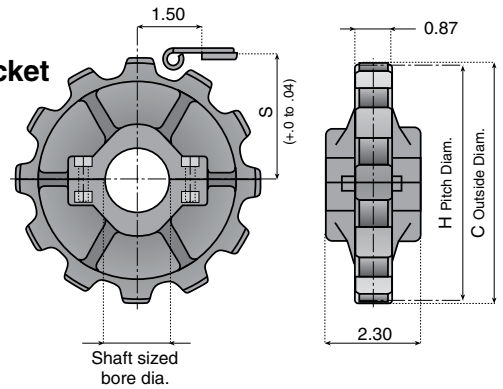


Sprockets, Wear
Strips, Chain Guides

Drive Sprocket



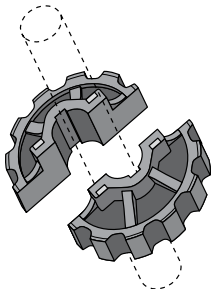
Idler Sprocket



Material: Polyamide body with stainless steel connecting screws and nuts in nickel plated brass.

| Sprocket Part Number | Reference Code | Idler Part Number | Reference Code | Shaft Sized Bore Dia. | Number of Teeth | Outside Diameter C | Pitch Diameter H | Shaft Center to Wear Surface S (+0 to .04) |
|----------------------|----------------|-------------------|------------------|-----------------------|-----------------|--------------------|------------------|--|
| 321009 | 882-10P-1 | 321013 | 882-10P-IDL-1 | 1 | 10 | 4.92 | 4.85 | 2.57 |
| 321010 | 882-10P-1.25 | 321014 | 882-10P-IDL-1.25 | 1-1/4 | 10 | 4.92 | 4.85 | 2.57 |
| 321011 | 882-10P-1.44 | 321015 | 882-10P-IDL-1.44 | 1-7/16 | 10 | 4.92 | 4.85 | 2.57 |
| 321012 | 882-10P-1.5 | 321016 | 882-10P-IDL-1.5 | 1-1/2 | 10 | 4.92 | 4.85 | 2.57 |
| 32114 | 882-12P-1 | 32119 | 882-12P-IDL-1 | 1 | 12 | 5.87 | 5.80 | 3.09 |
| 32115 | 882-12P-1.25 | 32120 | 882-12P-IDL-1.25 | 1-1/4 | 12 | 5.87 | 5.80 | 3.09 |
| 32116 | 882-12P-1.44 | 32121 | 882-12P-IDL-1.44 | 1-7/16 | 12 | 5.87 | 5.80 | 3.09 |
| 32117 | 882-12P-1.5 | 32122 | 882-12P-IDL-1.5 | 1-1/2 | 12 | 5.87 | 5.80 | 3.09 |

Positioning pins ensure accurate tooth alignment and aid assembly.



Save installation time with split sprockets and idler wheels.



Single Piece Sprockets & Idlers

Sprockets for Belt Series: 2121 H FT, LPB2120

These sprockets have been machined from solid polyamide material, giving them a completely closed structure which is easier to clean and disinfect. The reinforced design of the sprocket ensures smooth running with reduced noise levels. Additional benefits include increased keyway strength, excellent chemical resistance, and long service life.

Note:

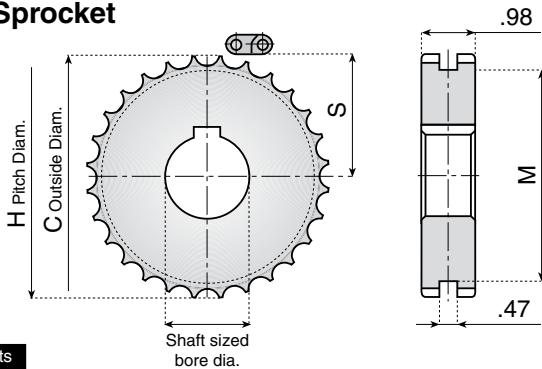
- These sprockets can be used for belt widths up to 26 inches and temperature differences of maximum 86°F.
- For wider belts or bigger temperature differences, sprockets with square bores or round bore with two keyways have to be used.

To order single keyway sprockets capable of floating freely on the shaft (i.e. shaft sized bore $+0.01 / +.02$), just add the letter "P" (=plus) to the existing part number. For example, code **125500SVP**.

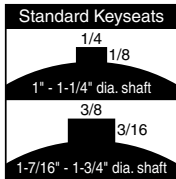
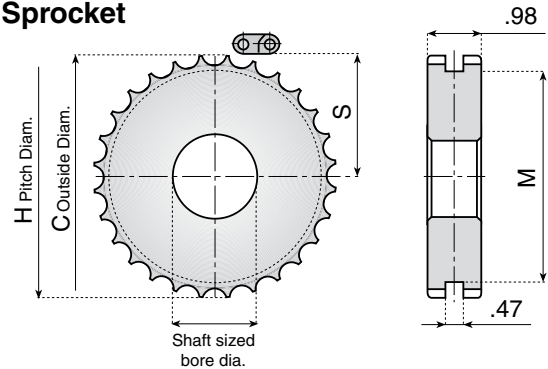


Special shape of the sprocket teeth compensates for natural chain lengthening after prolonged use!

Drive Sprocket



Idler Sprocket



Material: Polyamide body.

| Sprocket Part Number | Idler Part Number | Shaft Sized Bore Dia. | Number of Teeth | Outside Diameter C | Pitch Diameter H | M | Shaft Center to Wear Surface S (+0 to .04) |
|----------------------|-------------------|-----------------------|-----------------|--------------------|------------------|------|--|
| 125500GV | - | .71* | 16 | 2.57 | 2.56 | 2.17 | 1.11 |
| 125500VS | 125500RIVS | 1 | 16 | 2.57 | 2.56 | 2.17 | 1.11 |
| 125501VS | 125501RIVS | 1-1/4 | 16 | 2.57 | 2.56 | 2.17 | 1.11 |
| 125502GV | - | .71* | 20 | 3.20 | 3.20 | 2.80 | 1.43 |
| 125502VS | 125502RIVS | 1 | 20 | 3.20 | 3.20 | 2.80 | 1.43 |
| 125503VS | 125503RIVS | 1-1/4 | 20 | 3.20 | 3.20 | 2.80 | 1.43 |
| 125504VS | 125504RIVS | 1-7/16 | 20 | 3.20 | 3.20 | 2.80 | 1.43 |
| 125505VS | 125505RIVS | 1-1/2 | 20 | 3.20 | 3.20 | 2.80 | 1.43 |
| 125506GV | - | .71* | 24 | 3.83 | 3.83 | 3.43 | 1.74 |
| 125506VS | 125506RIVS | 1 | 24 | 3.83 | 3.83 | 3.43 | 1.74 |
| 125507VS | 125507RIVS | 1-1/4 | 24 | 3.83 | 3.83 | 3.43 | 1.74 |
| 125508VS | 125508RIVS | 1-7/16 | 24 | 3.83 | 3.83 | 3.43 | 1.74 |
| 125509VS | 125509RIVS | 1-1/2 | 24 | 3.83 | 3.83 | 3.43 | 1.74 |
| 125510GV | - | .71* | 28 | 4.46 | 4.47 | 4.06 | 2.06 |
| 125510VS | 125510RIVS | 1 | 28 | 4.46 | 4.47 | 4.06 | 2.06 |
| 125511VS | 125511RIVS | 1-1/4 | 28 | 4.46 | 4.47 | 4.06 | 2.06 |
| 125512VS | 125512RIVS | 1-7/16 | 28 | 4.46 | 4.47 | 4.06 | 2.06 |
| 125513VS | 125513RIVS | 1-1/2 | 28 | 4.46 | 4.47 | 4.06 | 2.06 |

*Plain bore pilot hole. Not sized to a shaft.



Split Sprockets & Idlers

Sprockets for Belt Series: 2121 H FT, LPB2120

These sprockets have been machined from solid polyamide material, giving them a completely closed structure which is easier to clean and disinfect. The reinforced design of the sprocket ensures smooth running with reduced noise levels. Additional benefits include increased keyway strength, excellent chemical resistance, and long service life.

Note:

- These sprockets can be used for belt widths up to 26 inches and temperature differences of maximum 86°F.
- For wider belts or bigger temperature differences, sprockets with square bores or round bore with two keyways have to be used.

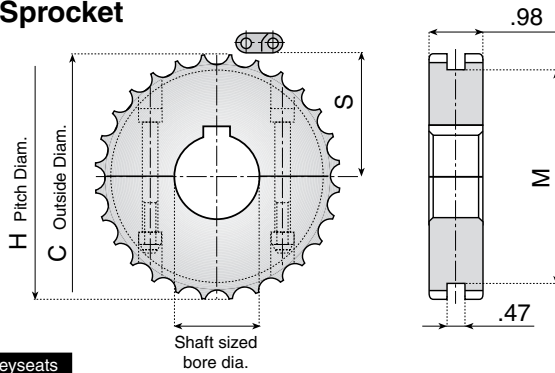
To order single keyway sprockets capable of floating freely on the shaft (i.e. shaft sized bore +.01 /+.02), just add the letter "P"(=plus) to the existing part number. For example, code **125600SVP**.



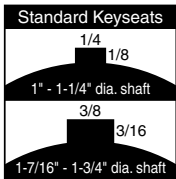
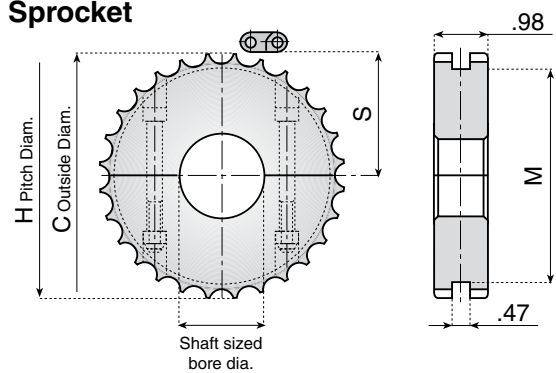
Sprockets, Wear Strips, Chain Guides

Special shape of the sprocket teeth compensates for natural chain lengthening after prolonged use!

Drive Sprocket



Idler Sprocket

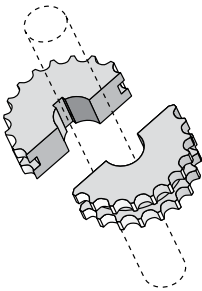


Material: Polyamide body, stainless steel connecting screws.

| Sprocket Part Number | Idler Part Number | Shaft Sized Bore Dia. | Number of Teeth | Outside Diameter C | Pitch Diameter H | M | Shaft Center to Wear Surface S (+0 to .04) |
|----------------------|-------------------|-----------------------|-----------------|--------------------|------------------|------|--|
| 125600GV | - | .71* | 28 | 4.46 | 4.47 | 4.06 | 2.06 |
| 125600VS | 125600RVS | 1 | 28 | 4.46 | 4.47 | 4.06 | 2.06 |
| 125601VS | 125601RVS | 1-1/4 | 28 | 4.46 | 4.47 | 4.06 | 2.06 |
| 125602VS | 125602RVS | 1-7/16 | 28 | 4.46 | 4.47 | 4.06 | 2.06 |
| 125603VS | 125603RVS | 1-1/2 | 28 | 4.46 | 4.47 | 4.06 | 2.06 |

*Plain bore pilot hole. Not sized to a shaft.

Positioning pins ensure accurate tooth alignment and aid assembly.



Save installation time with split sprockets and idler wheels.



Split Sprockets & Idlers

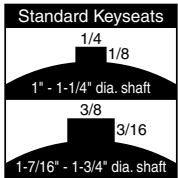
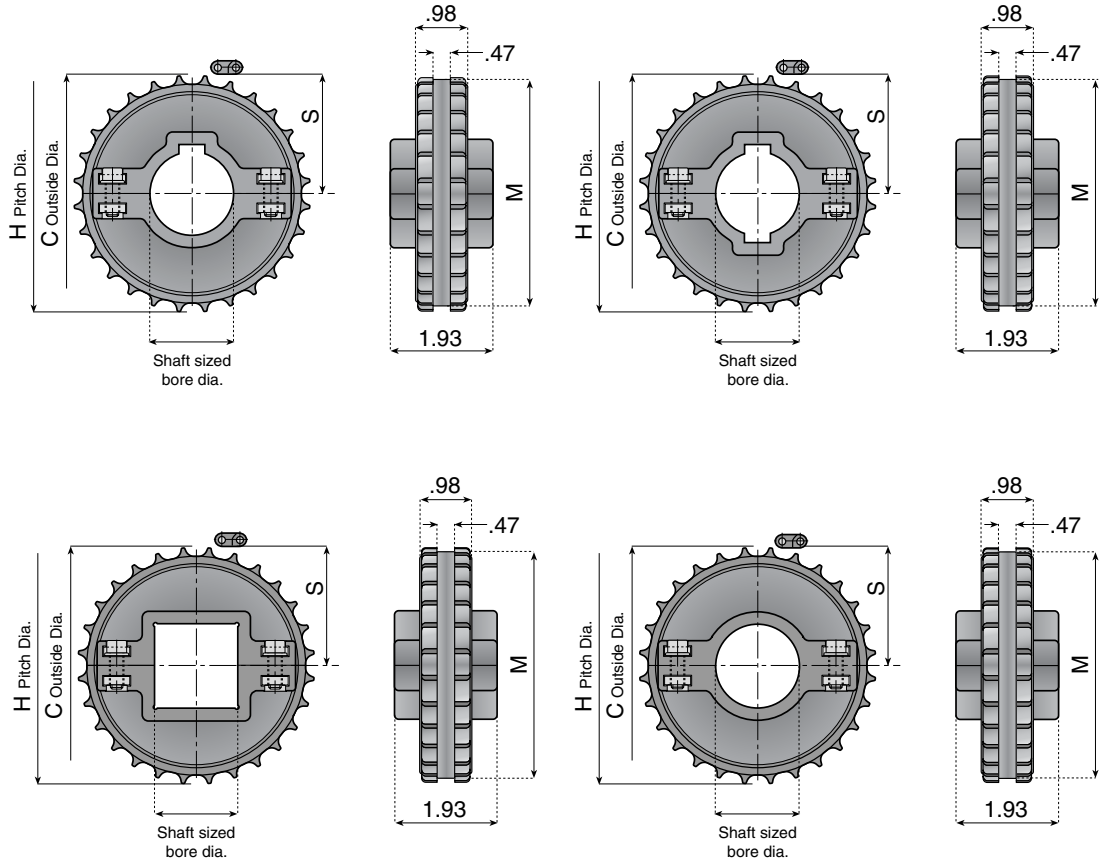
Sprockets for Belt Series: 2121 H FT, LPB2120

Sprocket features include excellent wear and chemical resistance, reduced noise levels, and a reinforced design. The completely closed structure is easier to clean and disinfect, plus the design of the sprocket ensures smooth running and a long service life. These sprockets float freely and can be used on the drive shaft and on the idler shaft.

Note:

- Single keyway sprockets can be used for belt widths up to 26 inches and temperature differences of maximum 86°F.
- For wider belts or bigger temperature differences, sprockets with square bores or round bore with two keyways have to be used.

To order single keyway sprockets capable of floating freely on the shaft (i.e. shaft sized bore +.01/+.02), just add the letter "P" (=plus) to the existing part number. For example, code **123099SP**.



Material: Polyamide body with stainless steel connecting screws and nuts in nickel plated brass.

| Single Keyway Sprocket Part Number | Double Keyway Sprocket Part Number | Square Bore Sprocket Part Number | Idler Part Number | Shaft Sized Bore Dia. | Number of Teeth | Outside Diameter C | Pitch Diameter H | M | Shaft Center to Wear Surface S (+0 to .04) |
|------------------------------------|------------------------------------|----------------------------------|-------------------|-----------------------|-----------------|--------------------|------------------|------|--|
| 123190VS | 123193VS | - | 123197VS | 1-1/4 | 24 | 3.84 | 3.83 | 3.43 | 1.74 |
| 123191VS | 123194VS | - | 123198VS | 1-7/16 | 24 | 3.84 | 3.83 | 3.43 | 1.74 |
| 123192VS | 123195VS | - | 123199VS | 1-1/2 | 24 | 3.84 | 3.83 | 3.43 | 1.74 |
| - | - | 123009VS | - | - | - | - | - | - | - |
| 123000VS | 123004VS | - | 123010VS | 1-1/4 | 28 | 4.47 | 4.47 | 4.06 | 2.06 |
| 123001VS | 123005VS | - | 123011VS | 1-7/16 | 28 | 4.47 | 4.47 | 4.06 | 2.06 |
| - | - | - | 123012VS | 1-1/2 | 28 | 4.47 | 4.47 | 4.06 | 2.06 |
| 123003VS | 123007VS | - | 123013VS | 1-3/4 | 28 | 4.47 | 4.47 | 4.06 | 2.06 |



Split Sprockets & Idlers

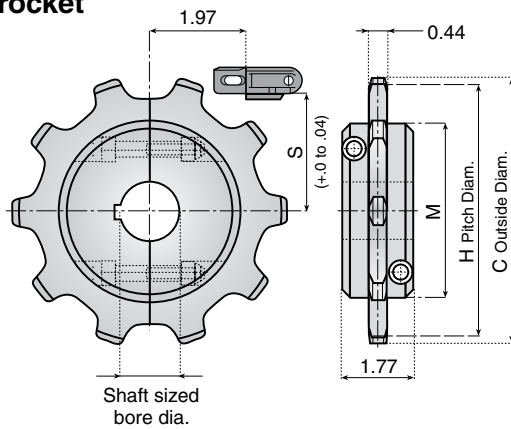
Sprockets for Multiflex Chain

These sprockets have been machined from solid polyamide material, giving them a completely closed structure which is easier to clean and disinfect. The reinforced design of the sprocket ensures smooth running with reduced noise levels. Additional benefits include increased keyway strength, excellent chemical resistance, and long service life.

Special shape of the sprocket teeth compensates for natural chain lengthening after prolonged use!

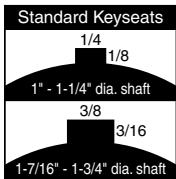
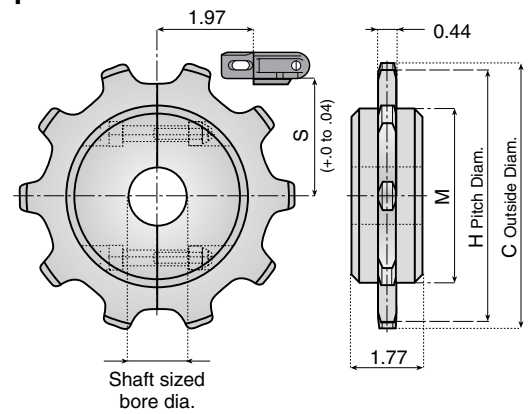
Sprockets, Wear Strips, Chain Guides

Drive Sprocket



For HACCP Needs!

Idler Sprocket

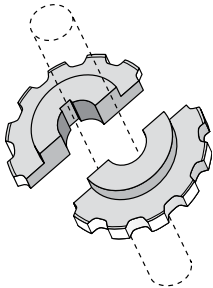


Material: Polyamide body, stainless steel connecting screws.

| Sprocket Part Number | Reference Code | Idler Part Number | Reference Code | Shaft Sized Bore Dia. | Number of Teeth | Outside Diameter C | Pitch Diameter H | M | S (+0 to .04) | Shaft Center to Wear Surface (+0 to .04) |
|----------------------|----------------|-------------------|--------------------|-----------------------|-----------------|--------------------|------------------|------|---------------|--|
| 12730 | 1700-8MP-.71 | - | - | .71* | 8 | 5.37 | 5.07 | 3.15 | 2.09 | |
| 32731 | 1700-8MP-1 | 32736 | 1700-8MP-IDL-1 | 1 | 8 | 5.37 | 5.07 | 3.15 | 2.09 | |
| 32732 | 1700-8MP-1.25 | 32737 | 1700-8MP-IDL-1.25 | 1-1/4 | 8 | 5.37 | 5.07 | 3.15 | 2.09 | |
| 32733 | 1700-8MP-1.44 | 32738 | 1700-8MP-IDL-1.44 | 1-7/16 | 8 | 5.37 | 5.07 | 3.15 | 2.09 | |
| 32734 | 1700-8MP-1.5 | 32739 | 1700-8MP-IDL-1.5 | 1-1/2 | 8 | 5.37 | 5.07 | 3.15 | 2.09 | |
| 12745 | 1700-10MP-.71 | - | - | .71* | 10 | 6.50 | 6.37 | 4.33 | 2.72 | |
| 32746 | 1700-10MP-1 | 32741 | 1700-10MP-IDL-1 | 1 | 10 | 6.50 | 6.37 | 4.33 | 2.72 | |
| 32747 | 1700-10MP-1.25 | 32742 | 1700-10MP-IDL-1.25 | 1-1/4 | 10 | 6.50 | 6.37 | 4.33 | 2.72 | |
| 32748 | 1700-10MP-1.44 | 32743 | 1700-10MP-IDL-1.44 | 1-7/16 | 10 | 6.50 | 6.37 | 4.33 | 2.72 | |
| 32749 | 1700-10MP-1.5 | 32744 | 1700-10MP-IDL-1.5 | 1-1/2 | 10 | 6.50 | 6.37 | 4.33 | 2.72 | |
| 12750 | 1700-13MP-.71 | - | - | .71* | 13 | 8.46 | 8.22 | 5.91 | 3.68 | |
| 32751 | 1700-13MP-1 | 32756 | 1700-13MP-IDL-1 | 1 | 13 | 8.46 | 8.22 | 5.91 | 3.68 | |
| 32752 | 1700-13MP-1.25 | 32757 | 1700-13MP-IDL-1.25 | 1-1/4 | 13 | 8.46 | 8.22 | 5.91 | 3.68 | |
| 32753 | 1700-13MP-1.44 | 32758 | 1700-13MP-IDL-1.44 | 1-7/16 | 13 | 8.46 | 8.22 | 5.91 | 3.68 | |
| 32754 | 1700-13MP-1.5 | 32759 | 1700-13MP-IDL-1.5 | 1-1/2 | 13 | 8.46 | 8.22 | 5.91 | 3.68 | |

*Plain bore pilot hole. Not sized to a shaft.

Positioning pins ensure accurate tooth alignment and aid assembly.



Save installation time with split sprockets and idler wheels.



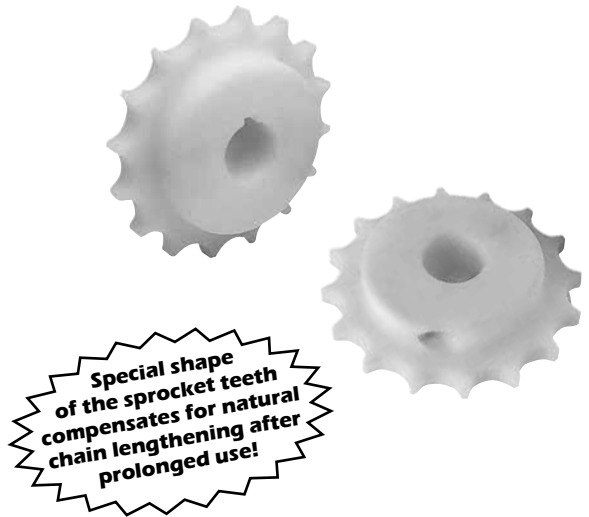
Sprockets, Wear Strips, Chain Guides

Split Sprockets & Idlers

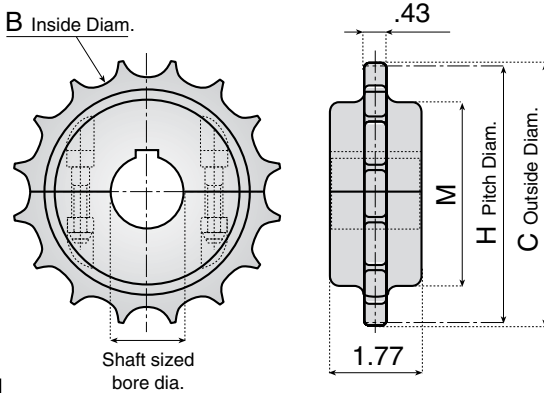
Sprockets for Chain-Belts Series: 2250 TAB FT, 2251 TAB FT

These sprockets have been machined from solid polyamide material, giving them a completely closed structure which is easier to clean and disinfect. The reinforced design of the sprocket ensures smooth running with reduced noise levels. Additional benefits include increased keyway strength, excellent chemical resistance, and long service life.

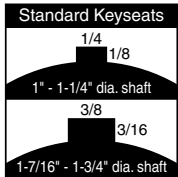
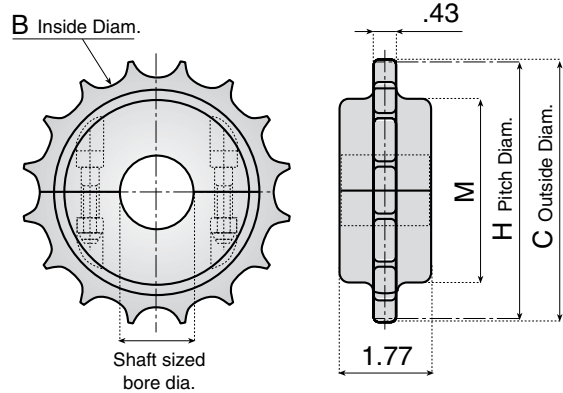
To order single keyway sprockets capable of floating freely on the shaft (i.e. shaft sized bore $+0.01 / +0.02$), just add the letter "P" (=plus) to the existing part number. For example, code **125502SP**.



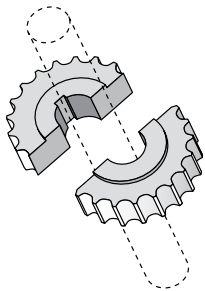
Drive Sprocket



Idler Sprocket



Positioning pins ensure accurate tooth alignment and aid assembly.



Save installation time with split sprockets and idler wheels.

Material: Polyamide body, stainless steel connecting screws.

| Sprocket Part Number | Idler Part Number | Shaft Sized Bore Dia. | Number of Teeth | Outside Diameter C | Pitch Diameter H | Inside Diameter B | M |
|----------------------|-------------------|-----------------------|-----------------|--------------------|------------------|-------------------|------|
| 121017 | - | .71* | 16 | 5.15 | 5.07 | 4.45 | 3.54 |
| 321018 | 321065 | 1 | 16 | 5.15 | 5.07 | 4.45 | 3.54 |
| 321019 | 321066 | 1-1/4 | 16 | 5.15 | 5.07 | 4.45 | 3.54 |
| 321020 | 321067 | 1-7/16 | 16 | 5.15 | 5.07 | 4.45 | 3.54 |
| 121023 | - | .71* | 18 | 5.78 | 5.70 | 5.07 | 4.13 |
| 321024 | 321070 | 1 | 18 | 5.78 | 5.70 | 5.07 | 4.13 |
| 321025 | 321071 | 1-1/4 | 18 | 5.78 | 5.70 | 5.07 | 4.13 |
| 321026 | 321072 | 1-7/16 | 18 | 5.78 | 5.70 | 5.07 | 4.13 |
| 321027 | 321073 | 1-1/2 | 18 | 5.78 | 5.70 | 5.07 | 4.13 |
| 121029 | - | .71* | 19 | 6.15 | 6.07 | 5.44 | 4.33 |
| 321030 | 321075 | 1 | 19 | 6.15 | 6.07 | 5.44 | 4.33 |
| 321031 | 321076 | 1-1/4 | 19 | 6.15 | 6.07 | 5.44 | 4.33 |
| 321032 | 321077 | 1-7/16 | 19 | 6.15 | 6.07 | 5.44 | 4.33 |
| 321033 | 321078 | 1-1/2 | 19 | 6.15 | 6.07 | 5.44 | 4.33 |

*Plain bore pilot hole. Not sized to a shaft.



Split Sprockets & Idlers

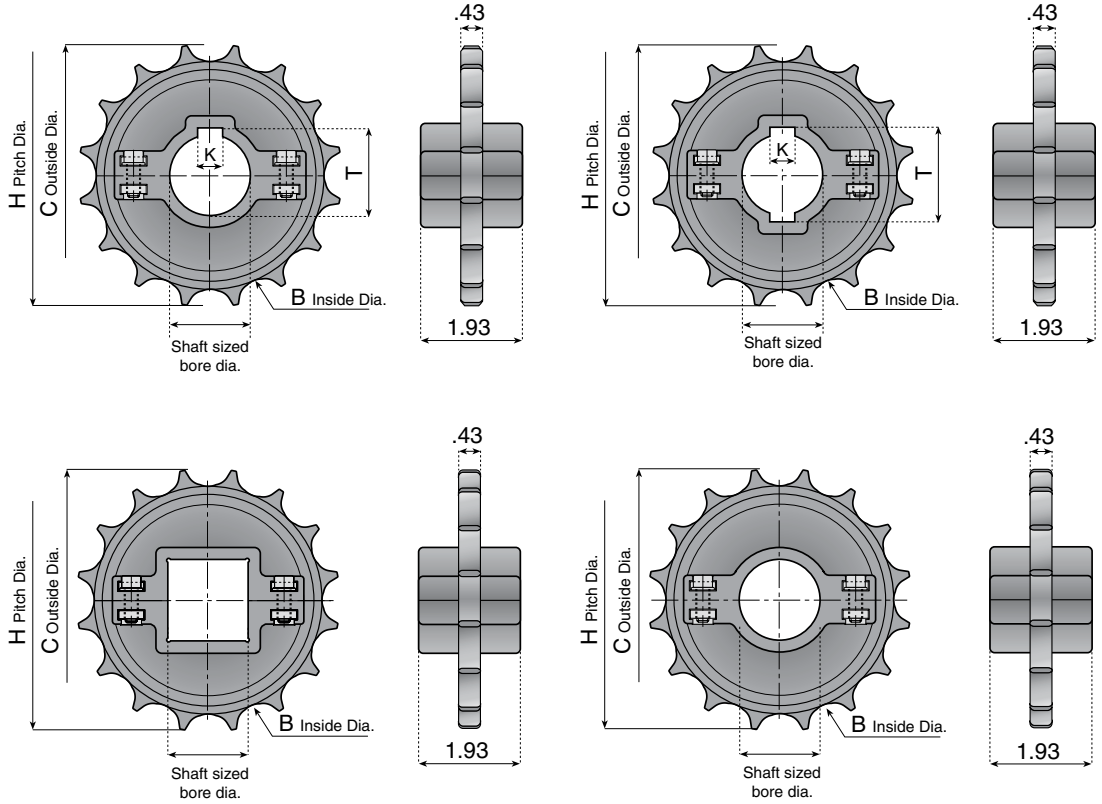
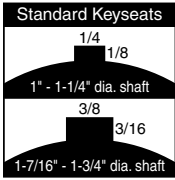
Sprockets for Chain-Belts Series: 2250 TAB FT, 2251 TAB FT, 2260

Sprocket features include excellent wear and chemical resistance, reduced noise levels, and a reinforced design. The completely closed structure is easier to clean and disinfect, plus the design of the sprocket ensures smooth running and a long service life. These sprockets float freely and can be used on the drive shaft and on the idler shaft.

Note:

- Single keyway sprockets can be used for belt widths up to 26 inches and temperature differences of maximum 86°F.
- For wider belts or bigger temperature differences, sprockets with square bores or round bore with two keyways have to be used.

To order single keyway sprockets capable of floating freely on the shaft (i.e. shaft sized bore +.01 /+.02), just add the letter "P" (=plus) to the existing part number. For example, code **123099SP**.



Sprockets, Wear Strips, Chain Guides

Material: Polyamide body with stainless steel connecting screws and nuts in nickel plated brass.

| Single Keyway Sprocket Part Number | Double Keyway Sprocket Part Number | Square Bore Sprocket Part Number | Idler Part Number | Shaft Sized Bore Dia. | Number of Teeth | Inside Diameter B | Outside Diameter C | Pitch Diameter H | Shaft Center to Wear Surface S (+0 to .04) |
|------------------------------------|------------------------------------|----------------------------------|-------------------|--------------------------|-----------------|-------------------|--------------------|------------------|--|
| - | - | 123108S | - | 1-1/2 x 1-1/2 sq. | 16 | 4.45 | 5.15 | 5.08 | 2.67 |
| 123099S | 123103S | - | 123109S | 1-1/4 | 16 | 4.45 | 5.15 | 5.08 | 2.67 |
| 123100S | 123104S | - | 123110S | 1-7/16 | 16 | 4.45 | 5.15 | 5.08 | 2.67 |
| 123101S | 123105S | - | 123111S | 1-1/2 | 16 | 4.45 | 5.15 | 5.08 | 2.67 |
| 123102S | 123106S | - | 123112S | 1-3/4 | 16 | 4.45 | 5.15 | 5.08 | 2.67 |
| - | - | 123122S | - | 1-1/2 x 1-1/2 sq. | 18 | 5.07 | 5.78 | 5.70 | 2.98 |
| 123113S | 123117S | - | 123123S | 1-1/4 | 18 | 5.07 | 5.78 | 5.70 | 2.98 |
| 123114S | 123118S | - | 123124S | 1-7/16 | 18 | 5.07 | 5.78 | 5.70 | 2.98 |
| 123115S | 123119S | - | 123125S | 1-1/2 | 18 | 5.07 | 5.78 | 5.70 | 2.98 |
| 123116S | 123120S | - | 123126S | 1-3/4 | 18 | 5.07 | 5.78 | 5.70 | 2.98 |
| - | - | 123136S | - | 1-1/2 x 1-1/2 sq. | 19 | 5.45 | 6.15 | 6.08 | 3.17 |
| 123127S | 123131S | - | 123137S | 1-1/4 | 19 | 5.45 | 6.15 | 6.08 | 3.17 |
| 123128S | 123132S | - | 123138S | 1-7/16 | 19 | 5.45 | 6.15 | 6.08 | 3.17 |
| 123129S | 123133S | - | 123139S | 1-1/2 | 19 | 5.45 | 6.15 | 6.08 | 3.17 |
| 123130S | 123134S | - | 123140S | 1-3/4 | 19 | 5.45 | 6.15 | 6.08 | 3.17 |



Split Sprockets & Idlers

Sprockets for Belt Series: 2252 FT, 2252 PT, LBP 2251

These sprockets have been machined from solid polyamide material, giving them a completely closed structure which is easier to clean and disinfect. The reinforced design of the sprocket ensures smooth running with reduced noise levels. Additional benefits include increased keyway strength, excellent chemical resistance, and long service life.

Note:

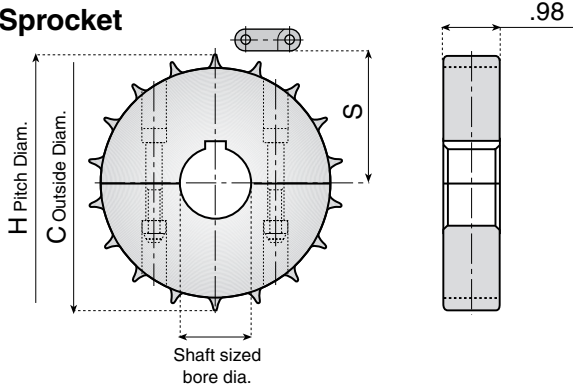
- These sprockets can be used for belt widths up to 26 inches and temperature differences of maximum 86°F.
- For wider belts or bigger temperature differences, sprockets with square bores or round bore with two keyways have to be used.

To order single keyway sprockets capable of floating freely on the shaft (i.e. shaft sized bore +.01 /+.02), just add the letter "P" (=plus) to the existing part number. For example, code **125250SP**.

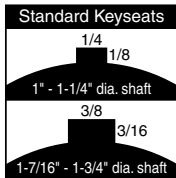
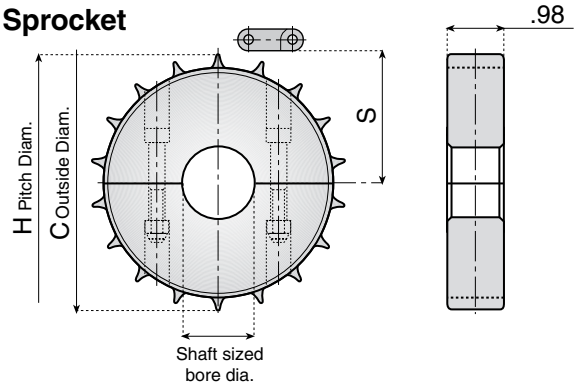


Special shape of the sprocket teeth compensates for natural chain lengthening after prolonged use!

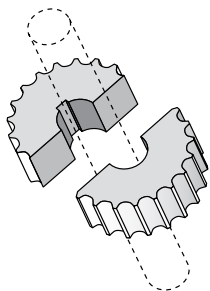
Drive Sprocket



Idler Sprocket



Positioning pins ensure accurate tooth alignment and aid assembly.



Save installation time with split sprockets and idler

Material: Polyamide body, stainless steel connecting screws.

| Sprocket Part Number | Idler Part Number | Shaft Sized Bore Dia. | Number of Teeth | Outside Diameter C | Pitch Diameter H | Shaft Center to Wear Surface S (+0 to .04) |
|----------------------|-------------------|-----------------------|-----------------|--------------------|------------------|--|
| 125250GF | - | .71* | 16 | 5.12 | 5.13 | 2.31 |
| 125250S | 125250RS | 1 | 16 | 5.12 | 5.13 | 2.31 |
| 125251S | 125251RS | 1-1/4 | 16 | 5.12 | 5.13 | 2.31 |
| 125252S | 125252RS | 1-7/16 | 16 | 5.12 | 5.13 | 2.31 |
| 125253S | 125253RS | 1-1/2 | 16 | 5.12 | 5.13 | 2.31 |
| 125254GF | - | .71* | 18 | 5.75 | 5.76 | 2.63 |
| 125254S | 125254RS | 1 | 18 | 5.75 | 5.76 | 2.63 |
| 125255S | 125255RS | 1-1/4 | 18 | 5.75 | 5.76 | 2.63 |
| 125256S | 125256RS | 1-7/16 | 18 | 5.75 | 5.76 | 2.63 |
| 125257S | 125257RS | 1-1/2 | 18 | 5.75 | 5.76 | 2.63 |
| 125258GF | - | .71* | 20 | 6.38 | 6.39 | 2.94 |
| 125258S | 125258RS | 1 | 20 | 6.38 | 6.39 | 2.94 |
| 125259S | 125259RS | 1-1/4 | 20 | 6.38 | 6.39 | 2.94 |
| 125260S | 125260RS | 1-7/16 | 20 | 6.38 | 6.39 | 2.94 |
| 125261S | 125261RS | 1-1/2 | 20 | 6.38 | 6.39 | 2.94 |
| 125262GF | - | .71* | 21 | 6.73 | 6.71 | 3.11 |
| 125262S | 125262RS | 1 | 21 | 6.73 | 6.71 | 3.11 |
| 125263S | 125263RS | 1-1/4 | 21 | 6.73 | 6.71 | 3.11 |
| 125264S | 125264RS | 1-7/16 | 21 | 6.73 | 6.71 | 3.11 |
| 125265S | 125265RS | 1-1/2 | 21 | 6.73 | 6.71 | 3.11 |

*Plain bore pilot hole. Not sized to a shaft.



Split Sprockets & Idlers

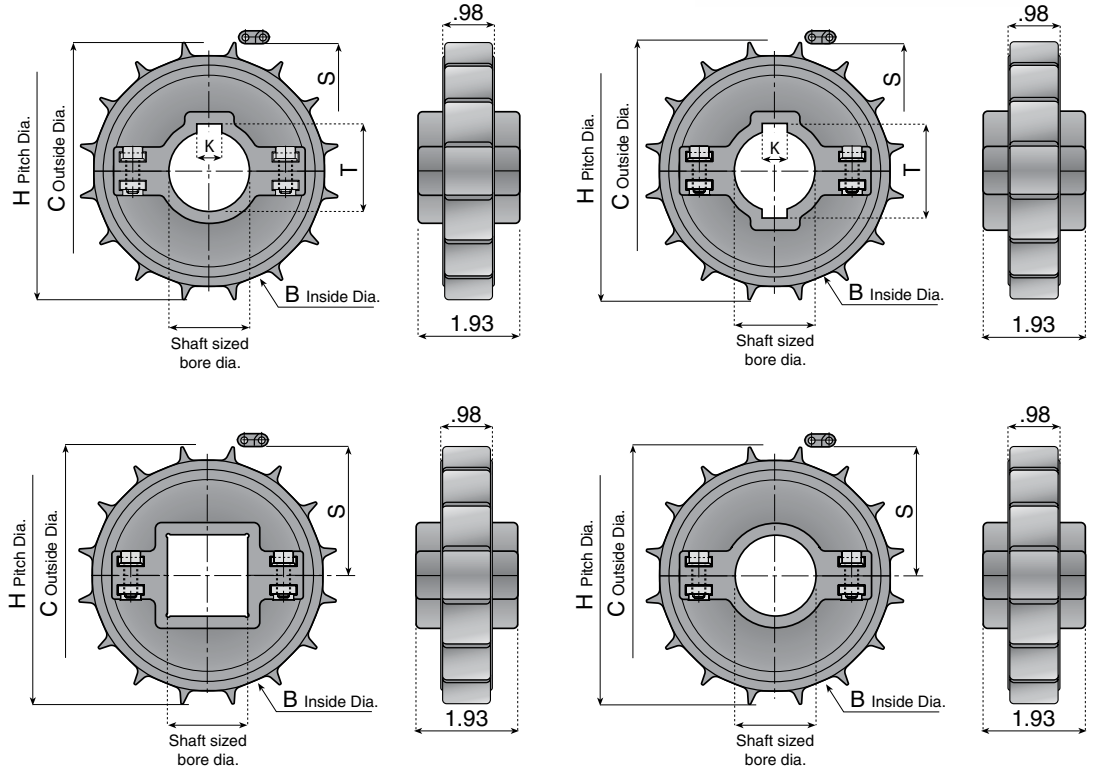
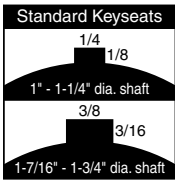
Sprockets for Chain-Belts Series: 2252 FT, 2252 PT, LBP 2251

Sprocket features include excellent wear and chemical resistance, reduced noise levels, and a reinforced design. The completely closed structure is easier to clean and disinfect, plus the design of the sprocket ensures smooth running and a long service life. These sprockets float freely and can be used on the drive shaft and on the idler shaft.

Note:

- Single keyway sprockets can be used for belt widths up to 26 inches and temperature differences of maximum 86°F.
- For wider belts or bigger temperature differences, sprockets with square bores or round bore with two keyways have to be used.

To order single keyway sprockets capable of floating freely on the shaft (i.e. shaft sized bore +.01 /+.02), just add the letter "P" (=plus) to the existing part number. For example, code **123099SP**.



Sprockets, Wear Strips, Chain Guides

Material: Polyamide body with stainless steel connecting screws and nuts in nickel plated brass.

| Single Keyway Sprocket Part Number | Double Keyway Sprocket Part Number | Square Bore Sprocket Part Number | Idler Part Number | Shaft Sized Bore Dia. | Number of Teeth | Inside Diameter B | Outside Diameter C | Pitch Diameter H | Shaft Center to Wear Surface S (+0 to .04) |
|------------------------------------|------------------------------------|----------------------------------|-------------------|-----------------------|-----------------|-------------------|--------------------|------------------|--|
| 123150S | 123154S | - | 123162S | 1-1/4 | 14 | 3.90 | 4.48 | 4.50 | 2.00 |
| 123151S | 123155S | - | 123163S | 1-7/16 | 14 | 3.90 | 4.48 | 4.50 | 2.00 |
| 123152S | 123156S | - | 123164S | 1-1/2 | 14 | 3.90 | 4.48 | 4.50 | 2.00 |
| - | - | 123066S | - | 1-1/2 x 1-1/2 sq. | 16 | 4.53 | 5.12 | 5.13 | 2.31 |
| 123057S | 123061S | - | 123067S | 1-1/4 | 16 | 4.53 | 5.12 | 5.13 | 2.31 |
| 123058S | 123062S | - | 123068S | 1-7/16 | 16 | 4.53 | 5.12 | 5.13 | 2.31 |
| 123059S | 123063S | - | 123069S | 1-1/2 | 16 | 4.53 | 5.12 | 5.13 | 2.31 |
| 123060S | 123064S | - | 123070S | 1-3/4 | 16 | 4.53 | 5.12 | 5.13 | 2.31 |
| - | - | 123080S | - | 1-1/2 x 1-1/2 sq. | 18 | 5.17 | 5.67 | 5.76 | 2.63 |
| 123071S | 123075S | - | 123081S | 1-1/4 | 18 | 5.17 | 5.67 | 5.76 | 2.63 |
| 123072S | 123076S | - | 123082S | 1-7/16 | 18 | 5.17 | 5.67 | 5.76 | 2.63 |
| 123073S | 123077S | - | 123083S | 1-1/2 | 18 | 5.17 | 5.67 | 5.76 | 2.63 |
| 123074S | 123078S | - | 123084S | 1-3/4 | 18 | 5.17 | 5.67 | 5.76 | 2.63 |
| - | - | 123094S | - | 1-1/2 x 1-1/2 sq. | 20 | 5.80 | 6.38 | 6.39 | 2.95 |
| 123085S | 123089S | - | 123095S | 1-1/4 | 20 | 5.80 | 6.38 | 6.39 | 2.95 |
| 123086S | 123090S | - | 123096S | 1-7/16 | 20 | 5.80 | 6.38 | 6.39 | 2.95 |
| 123087S | 123091S | - | 123097S | 1-1/2 | 20 | 5.80 | 6.38 | 6.39 | 2.95 |
| 123088S | 123092S | - | 123098S | 1-3/4 | 20 | 5.80 | 6.38 | 6.39 | 2.95 |

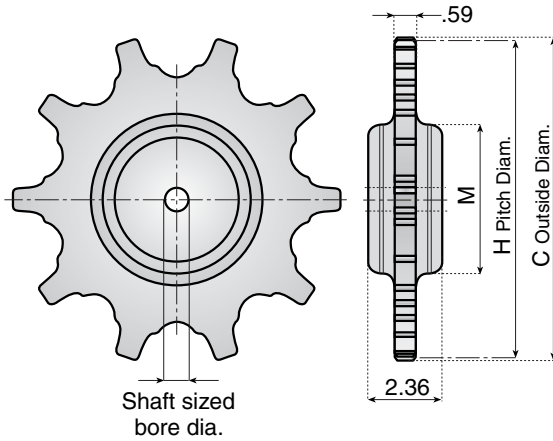


Sprockets, Wear Strips, Chain Guides

Sprockets & Idlers

Sprockets for CC 1400 and CC 1431 Series Case/Crate Conveyor Chains

These sprockets have been machined from solid polyamide material, giving them a completely closed structure which is easier to clean and disinfect. The reinforced design of the sprocket ensures smooth running with reduced noise levels.



Material: Polyamide body.

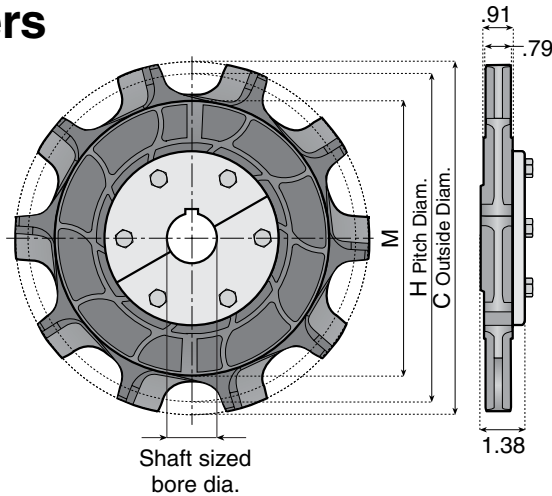
| Sprocket Part Number | Shaft Sized Bore Dia. | Number of Teeth | Outside Diameter C | Pitch Diameter H | M |
|----------------------|-----------------------|-----------------|--------------------|------------------|------|
| 12331 | .79* | 7 | 8.27 | 7.48 | 2.95 |
| 12332 | .79* | 8 | 9.06 | 8.58 | 3.54 |
| 12333 | .79* | 9 | 10.12 | 9.53 | 4.92 |
| 12334 | .79* | 10 | 11.06 | 10.51 | 4.92 |

*Plain bore pilot hole. Not sized to a shaft.

Sprockets & Idlers

Sprockets for CC 1400 and CC 1431 Series Case/Crate Conveyor Chains

These sprockets have been machined from solid polyamide material, giving them a completely closed structure which is easier to clean and disinfect. The reinforced design of the sprocket ensures smooth running with reduced noise levels. Additional benefits include increased keyway strength, excellent chemical resistance, and long service life.



Material: Polyamide body.

| Sprocket Part Number | Shaft Sized Bore Dia. | Number of Teeth | Outside Diameter C | Pitch Diameter H | M |
|----------------------|-----------------------|-----------------|--------------------|------------------|------|
| 32970V | 1 | 10 | 11.06 | 10.30 | 8.61 |
| 32971V | 1-1/4 | 10 | 11.06 | 10.30 | 8.61 |
| 32972V | 1-1/2 | 10 | 11.06 | 10.30 | 8.61 |

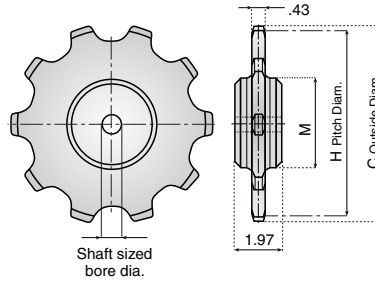
*Plain bore pilot hole. Not sized to a shaft.



Sprockets & Idlers

Sprockets for CC 600 Series Case/Crate Conveyor Chains

These sprockets have been machined from solid polyamide material, giving them a completely closed structure which is easier to clean and disinfect. The reinforced design of the sprocket ensures smooth running with reduced noise levels.



Sprockets, Wear Strips, Chain Guides

Material: Polyamide body.

| Sprocket Part Number | Shaft Sized Bore Dia. | Number of Teeth | Outside Diameter C | Pitch Diameter H | M |
|----------------------|-----------------------|-----------------|--------------------|------------------|------|
| 12326 | .79* | 8 | 6.77 | 6.54 | 3.78 |
| 12327 | .79* | 10 | 8.47 | 8.07 | 3.78 |
| 12328 | .79* | 12 | 10.10 | 9.69 | 3.78 |
| 12329 | .79* | 14 | 11.70 | 11.26 | 3.78 |

*Plain bore pilot hole. Not sized to a shaft.

Split Sprockets & Idlers

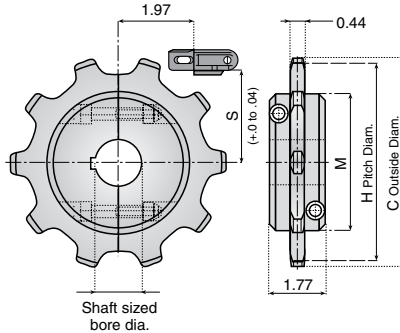
Sprockets for Multiflex Chain

These sprockets have been machined from solid polyamide material, giving them a completely closed structure which is easier to clean and disinfect. The reinforced design of the sprocket ensures smooth running with reduced noise levels. Additional benefits include increased keyway strength, excellent chemical resistance, and long service life.

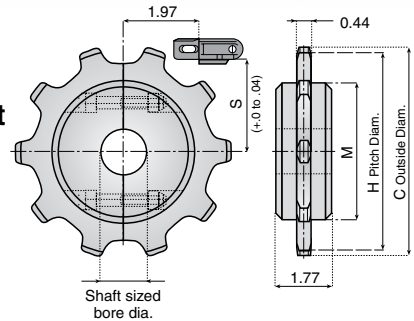
Special shape of the sprocket teeth compensates for natural chain lengthening after prolonged use!



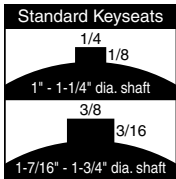
Drive Sprocket



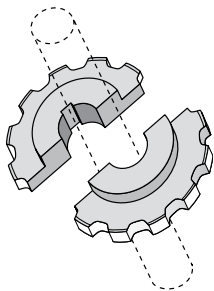
Idler Sprocket



For HACCP Needs!



Positioning pins ensure accurate tooth alignment and aid assembly.



Save installation time with split sprockets and idler wheels.

Material: Polyamide body, stainless steel connecting screws.

| Sprocket Part Number | Reference Code | Idler Part Number | Reference Code | Shaft Sized Bore Dia. | Number of Teeth | Outside Diameter C | Pitch Diameter H | M | Shaft Center to Wear Surface S (+0 to .04) |
|----------------------|----------------|-------------------|--------------------|-----------------------|-----------------|--------------------|------------------|------|--|
| 12730 | 1700-8MP-.71 | - | - | .71* | 8 | 5.37 | 5.07 | 3.15 | 2.09 |
| 32731 | 1700-8MP-1 | 32736 | 1700-8MP-IDL-1 | 1 | 8 | 5.37 | 5.07 | 3.15 | 2.09 |
| 32732 | 1700-8MP-1.25 | 32737 | 1700-8MP-IDL-1.25 | 1-1/4 | 8 | 5.37 | 5.07 | 3.15 | 2.09 |
| 32733 | 1700-8MP-1.44 | 32738 | 1700-8MP-IDL-1.44 | 1-7/16 | 8 | 5.37 | 5.07 | 3.15 | 2.09 |
| 32734 | 1700-8MP-1.5 | 32739 | 1700-8MP-IDL-1.5 | 1-1/2 | 8 | 5.37 | 5.07 | 3.15 | 2.09 |
| 12745 | 1700-10MP-.71 | - | - | .71* | 10 | 6.50 | 6.37 | 4.33 | 2.72 |
| 32746 | 1700-10MP-1 | 32741 | 1700-10MP-IDL-1 | 1 | 10 | 6.50 | 6.37 | 4.33 | 2.72 |
| 32747 | 1700-10MP-1.25 | 32742 | 1700-10MP-IDL-1.25 | 1-1/4 | 10 | 6.50 | 6.37 | 4.33 | 2.72 |
| 32748 | 1700-10MP-1.44 | 32743 | 1700-10MP-IDL-1.44 | 1-7/16 | 10 | 6.50 | 6.37 | 4.33 | 2.72 |
| 32749 | 1700-10MP-1.5 | 32744 | 1700-10MP-IDL-1.5 | 1-1/2 | 10 | 6.50 | 6.37 | 4.33 | 2.72 |
| 12750 | 1700-13MP-.71 | - | - | .71* | 13 | 8.46 | 8.22 | 5.91 | 3.68 |
| 32751 | 1700-13MP-1 | 32756 | 1700-13MP-IDL-1 | 1 | 13 | 8.46 | 8.22 | 5.91 | 3.68 |
| 32752 | 1700-13MP-1.25 | 32757 | 1700-13MP-IDL-1.25 | 1-1/4 | 13 | 8.46 | 8.22 | 5.91 | 3.68 |
| 32753 | 1700-13MP-1.44 | 32758 | 1700-13MP-IDL-1.44 | 1-7/16 | 13 | 8.46 | 8.22 | 5.91 | 3.68 |
| 32754 | 1700-13MP-1.5 | 32759 | 1700-13MP-IDL-1.5 | 1-1/2 | 13 | 8.46 | 8.22 | 5.91 | 3.68 |

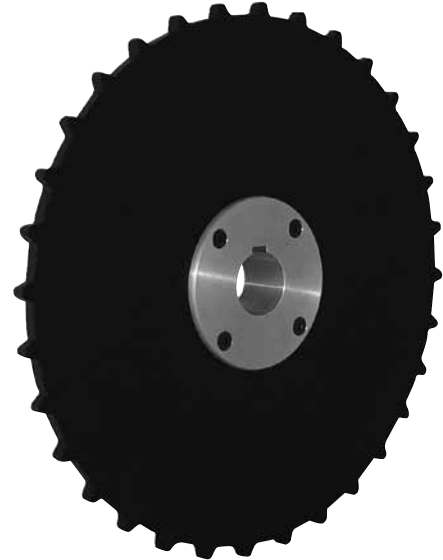
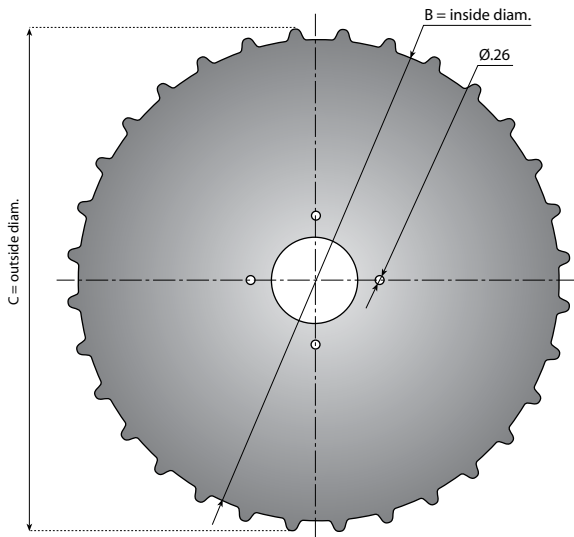
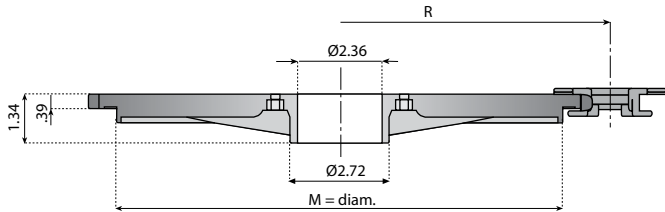
*Plain bore pilot hole. Not sized to a shaft.



Tangential Sprockets

Sprockets for Chain Series:
878TAB

Sprockets, Wear
Strips, Chain Guides



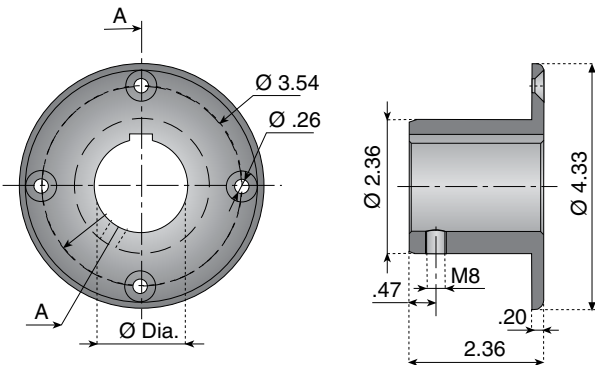
Material: Black polyamide.

| Part Number | Number of Teeth | Inside Diameter B | Outside Diameter C | M | R |
|-------------|-----------------|-------------------|--------------------|-------|------|
| 12781L | 32 | 13.23 | 13.89 | 12.24 | 7.87 |
| 12782L | 34 | 14.11 | 14.70 | 13.13 | 7.87 |

Machined Hub

For tangential sprockets

Can be machined to obtain a variety of shaft diameters. The hub attaches to the tangential sprocket with 4 stainless steel nuts and screws.



Material: Aluminum.

| Part Number | Shaft Sized Bore Dia. |
|-------------|-----------------------|
| 12772G | .71* |

*Plain bore pilot hole. Not sized to a shaft.



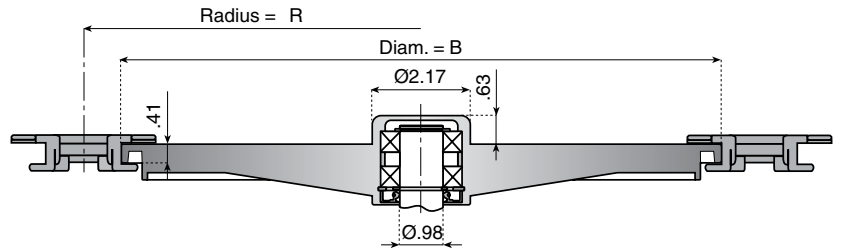
Turning Disk - Closed

Carry and Return for Chain Series:
881 TAB, 878 TAB

Radial ball bearings for 25 mm shafts included.

Material: Black polyamide.

| Part Number | Equivalent Number of Teeth | Diameter B | Chain Radius R |
|-------------|----------------------------|------------|----------------|
| 12779 | 32 | 13.27 | 7.48 |
| 12780 | 34 | 14 | 7.87 |



Sprockets, Wear Strips, Chain Guides

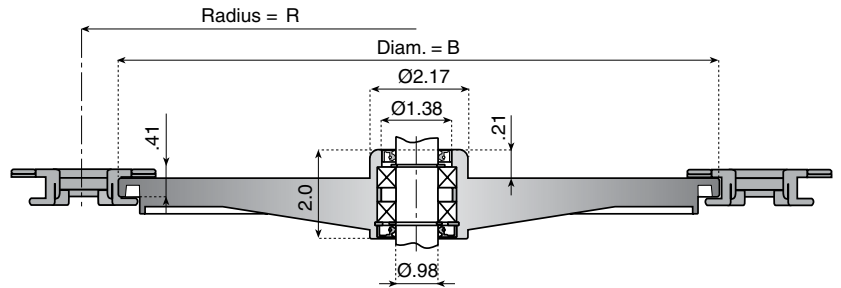
Turning Disk - Open

Carry and Return for Chain Series:
881 TAB, 878 TAB

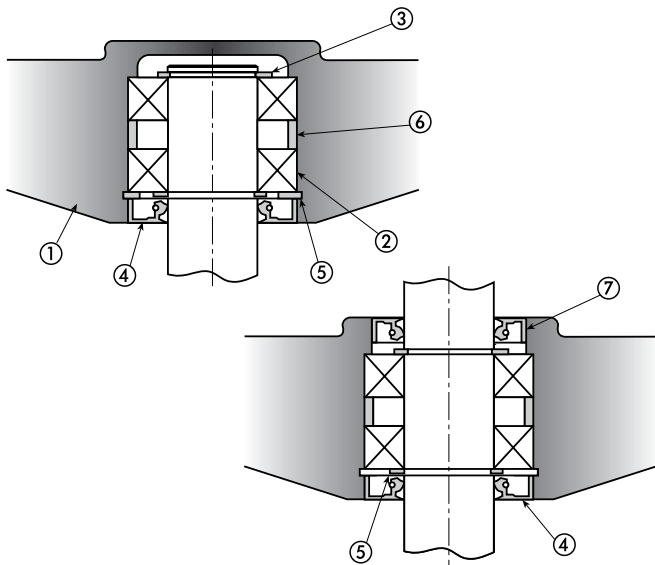
Radial ball bearings for 25 mm shafts included.

Material: Black polyamide.

| Part Number | Equivalent Number of Teeth | Diameter B | Chain Radius R |
|-------------|----------------------------|------------|----------------|
| 12777 | 32 | 13.27 | 7.48 |
| 12778 | 34 | 14 | 7.87 |



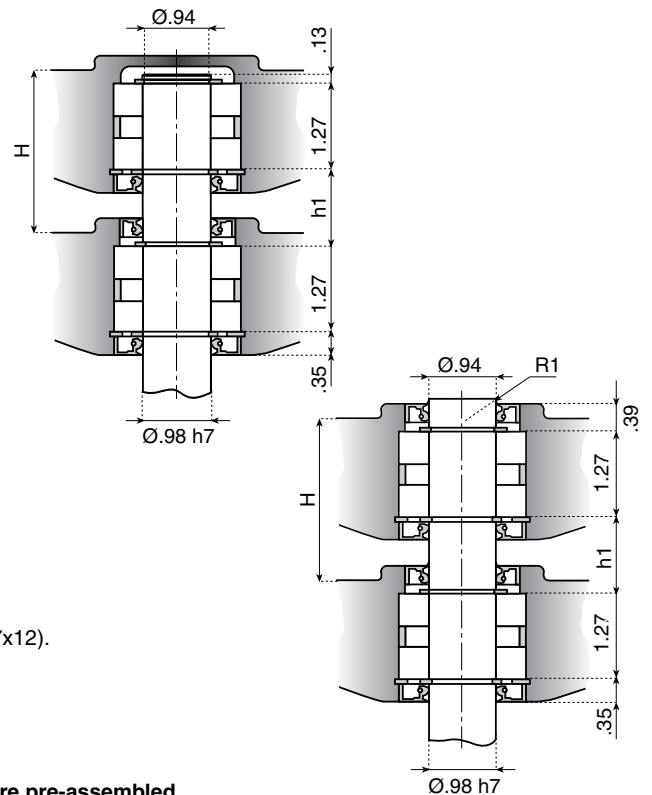
Components



- 1 -Turning disk.
- 2 -Single race radial ball bearing with two sliding seals, type 6005-2RS (25x47x12).
- 3 -External (retaining) ring, Ø 25 DIN471.
- 4 -Seal ring with dust cover, 25x47x7 DIN 3760 (NBR rubber).
- 5 -Internal (retaining) ring, Ø 47 DIN472.
- 6 -Bearing spacer.
- 7 -Seal ring with dust cover, 25x42x7 DIN3760 (NBR rubber).

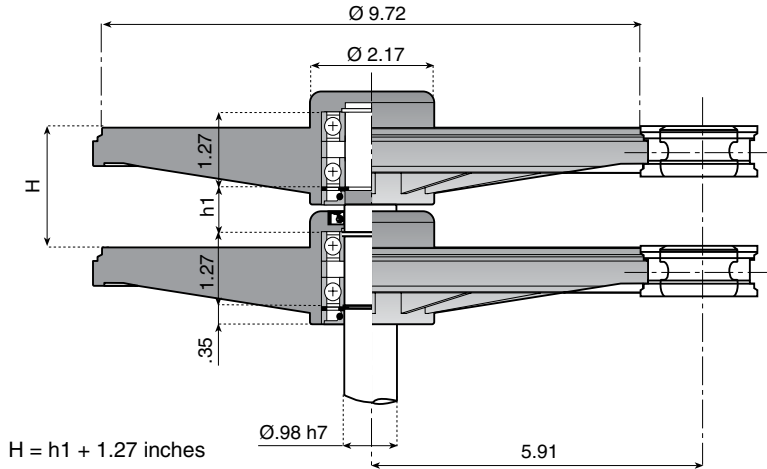
All components are supplied separate, except the shaft bearings which are pre-assembled.

Dimensions





Sprockets, Wear
Strips, Chain Guides



Turning Disk - Closed

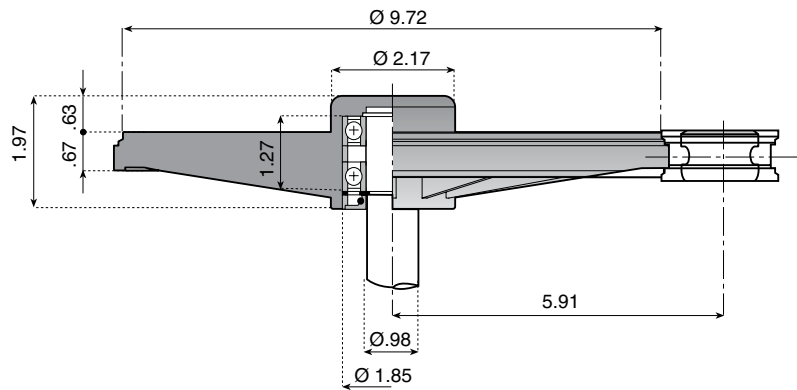
Carry and Return for Chain Series:
1701 TAB

Radial ball bearings for 25 mm shafts included.

Material: Black polyamide.

Part Number

12783



All components are supplied separate, except the shaft bearings which are pre-assembled.

Notes

Sprockets, Wear
Strips, Chain Guides



The Simple Solution for Tab and Bevel Style Conveyor Chains!

Sprockets, Wear Strips, Chain Guides

ValuTrac™ straight and corner modules are designed to guide side flexing steel and plastic conveyor chains. ValuTrac has proven to be a cost effective improvement over fabricated straight and corner wear strips. ValuTrac is manufactured with state of the art computer controlled machinery, assuring parallel module sides and a smooth uniform chain guiding surface. When it is necessary to modify or replace a guideway, ValuTrac's modular design will make the job easier. ValuTrac's quality and consistency assure conveyor chain guiding that is reliable and long lasting.



✓ Selection of Materials

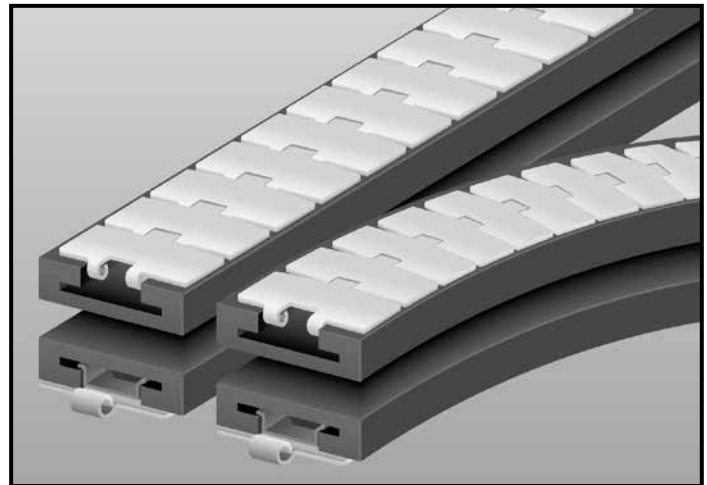
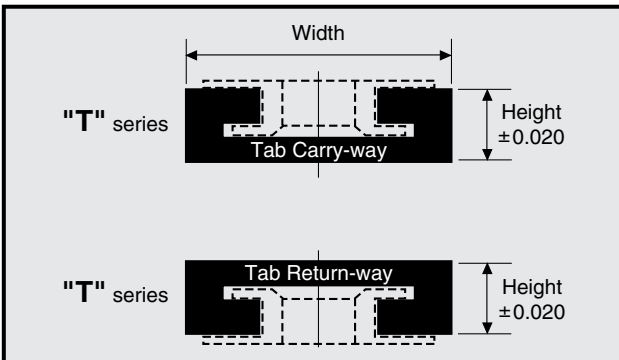
Our standard series ValuTrac is precision machined from Nolu-BR, a black, proprietary blend of UHMW resins, or Nolu-S, a grey, self lubricating UHMW blend. These materials maintain excellent chemical and corrosion resistance, while providing low friction, superior rigidity, and resistance to wear. ValuTrac is also available in Nolu-SR for applications requiring greater wear resistance, surface hardness, and lubricity due to adverse environmental conditions.

✓ Cost Savings

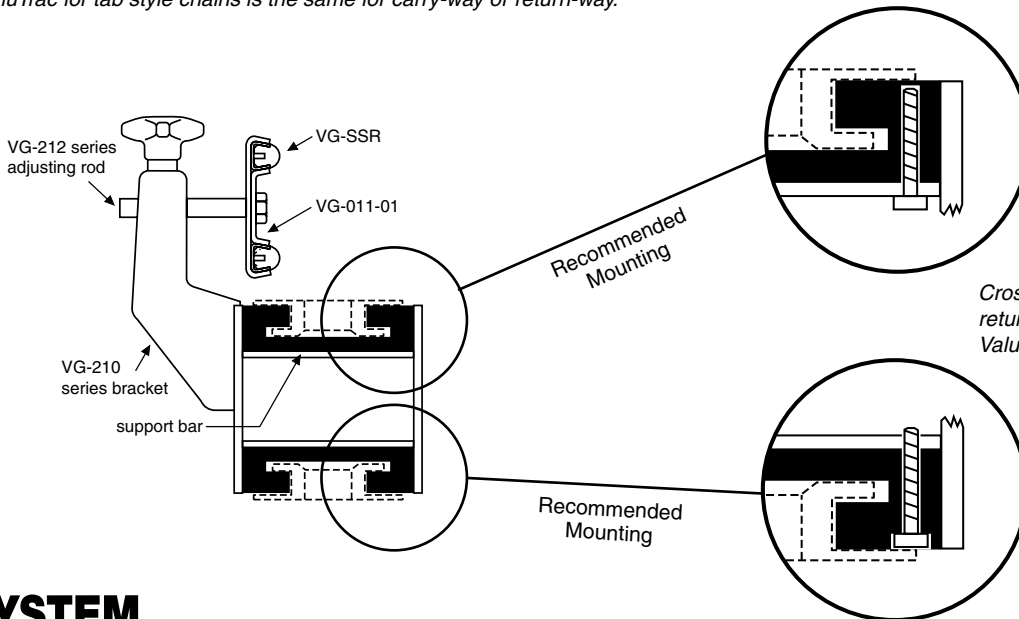
The modular design of ValuTrac™ significantly reduces fabrication time. Fewer parts require fewer fasteners, fewer connections and fewer supports. The result is an overall time and cost savings.

For specific coefficients of friction and operating temperatures, please see the technical information on page 465.

Tab Style



ValuTrac for tab style chains is the same for carry-way or return-way.



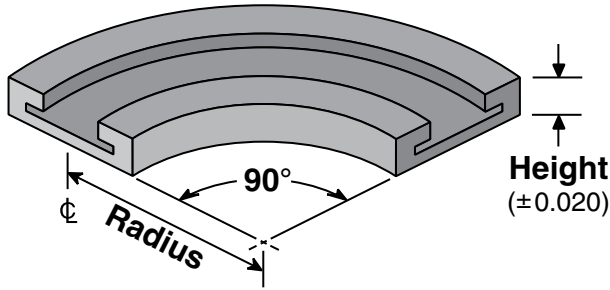
Cross section of typical carry and return using Tab Style ValuTrac and Valu Guide Conveyor Components.



Curves for Tab Chain



Sprockets, Wear Strips, Chain Guides



ValuTrac™ for tab chains can be used as carry-ways, or flipped upside down and used as return-ways.



| NOLU-BR | NOLU-S | NOLU-SR |
|---|---|---|
| Nolu-BR UHMW is our standard track material. It is a proprietary blend of resins and reground UHMW that maximizes wear and friction properties for most applications. | Nolu-S is a blend of UHMW and other dry lubricants that maintains good wear characteristics while significantly reducing the track's coefficient of friction. | Nolu-SR combines the Nolu-S features with a much harder, longer wearing composition which can be used in most high-speed/high-load applications previously requiring Nylatron material. |

| Chain Number | Track Width | Track Height | Carry or Return | Radius | Nolu-BR Part Number | Nolu-S Part Number | Nolu-SR Part Number |
|---|-------------|--------------|-----------------|------------------|---------------------|---------------------|---------------------|
| 879TAB-K3-1/4 880TAB-K3-1/4 881TAB-K3-1/4 | 3.75 | 1 | | 18 | VT-980-T-18-0325 | VT-S-980-T-18-0325 | VT-SR-980-T-18-0325 |
| 24 | | | | VT-980-T-24-0325 | VT-S-980-T-24-0325 | VT-SR-980-T-24-0325 | |
| 879TAB-K4-1/2 880TAB-K4-1/2 881TAB-K4-1/2 | 5 | 1 | | 24 | VT-980-T-24-0450 | VT-S-980-T-24-0450 | VT-SR-980-T-24-0450 |
| * 881TAB-K7-1/2 | 8 | 1 | | 24 | VT-981-T-24-0750 | VT-S-981-T-24-0750 | VT-SR-981-T-24-0750 |
| 882TAB-K4-1/2 | 5 | 1.188 | | 24 | VT-982-T-24-0450 | VT-S-982-T-24-0450 | VT-SR-982-T-24-0450 |
| 882TAB-K7-1/2 | 8 | 1.188 | | 24 | VT-982-T-24-0750 | VT-S-982-T-24-0750 | VT-SR-982-T-24-0750 |
| 882TAB-K10 | 10.5 | 1.188 | | 24 | VT-982-T-24-1000 | VT-S-982-T-24-1000 | - |
| 882TAB-K12 | 12.5 | 1.188 | | 24 | VT-982-T-24-1200 | VT-S-982-T-24-1200 | VT-SR-982-T-24-1200 |
| 1843 | 2 | 1 | | 10 | VT-943-T-10-0150 | - | - |
| | | | | 18 | VT-943-T-18-0150 | - | - |
| | | | | 24 | VT-943-T-24-0150 | - | - |
| * 1873-K3-1/4 1874-K3-1/4 | 3.75 | 1.375 | | 18 | VT-973-T-18-0325 | VT-S-973-T-18-0325 | VT-SR-973-T-18-0325 |
| 24 | | | | VT-973-T-24-0325 | VT-S-973-T-24-0325 | VT-SR-973-T-24-0325 | |
| 1873-K4-1/2 1874-K4-1/2 | 5 | 1.375 | | 18 | - | - | - |
| | | | | 24 | VT-973-T-24-0450 | VT-S-973-T-24-0450 | VT-SR-973-T-24-0450 |
| 1873-K6 1874-K6 | 6.5 | 1.375 | | 18 | - | - | - |
| | | | | 24 | VT-973-T-24-0600 | - | - |
| 1873-K7-1/2 1874-K7-1/2 | 8 | 1.375 | | 18 | VT-973-T-18-0750 | - | - |
| | | | | 24 | VT-973-T-24-0750 | - | - |

Chains typically used with ValuTrac™ Tab Modules:

| | | | | | | | |
|-----------------|--------------|-------|--------------|--------------|-------|-------|-------|
| | | | | | | | |
| Chain Number | 1843 | 1843G | 1701TAB | 1873- | 1873G | 1874- | 1874G |
| ValuTrac Module | 943-T series | | 901-T series | 973-T series | | | |

See page 138 for custom module ordering instructions.

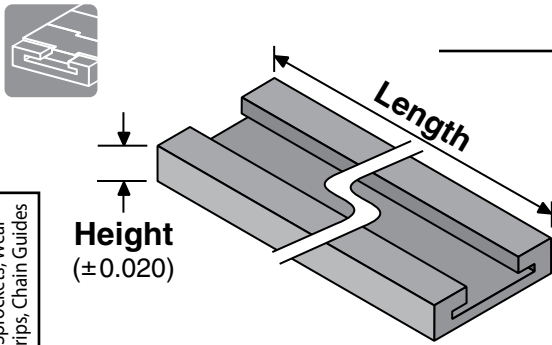
| | | | | | | |
|-----------------|--------------|---------|----------------------|---------------|--------------|----------|
| | | | | | | |
| Chain number | 879TAB- | 880TAB- | 881TAB-K3 1/4, 4 1/2 | 881TAB-K7 1/2 | 882TAB- | LBP882T- |
| ValuTrac Module | 980-T series | | | 981-T series | 982-T series | |

NOTE: Specialty chain styles such as gripper and low back pressure use the same ValuTrac module as the standard sideflexing counterpart. Example: Chain no. 1873G (grripper style) uses the same module as standard chain no. 1873-. For 815, 820, or 831 style chain, use ValuTrac part number VT-980-T.

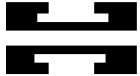
* These ValuTrac modules are commonly used on side gripping, elevator/lowerator systems.



Straight Sections for Tab Chain



Sprockets, Wear Strips, Chain Guides



ValuTrac™ for tab chains can be used as carry-ways, or flipped upside down and used as return-ways.

Can Ship UPS
(3 & 6 ft. lengths)

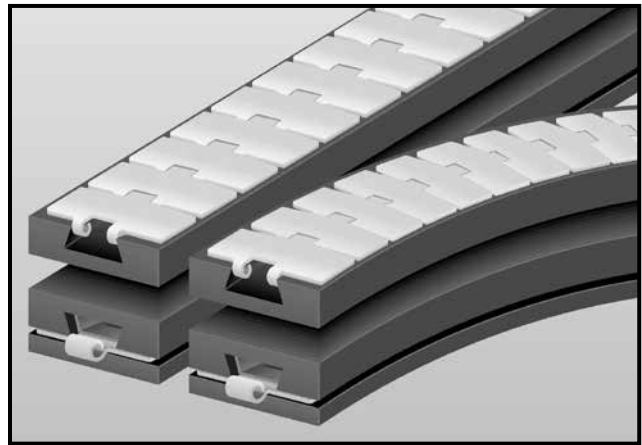
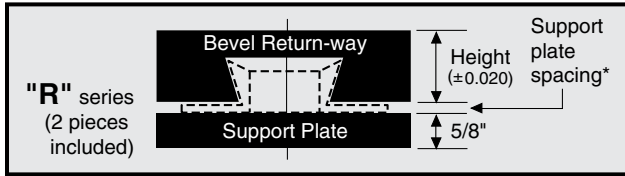
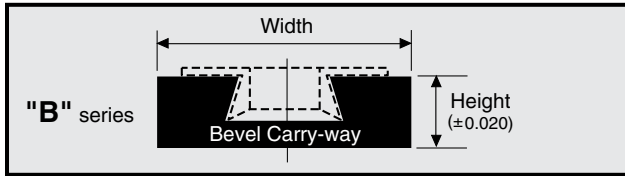
| NOLU-BR | NOLU-S |
|---|---|
| Nolu-BR UHMW is our standard track material. It is a proprietary blend of resins and reground UHMW that maximizes wear and friction properties for most applications. | Nolu-S is a blend of UHMW and other dry lubricants that maintains good wear characteristics while significantly reducing the track's coefficient of friction. |

| Chain Number | Track Width | Track Height | Carry or Return | Length in Feet | Nolu-BR Part Number | Nolu-S Part Number |
|---|-------------|--------------|-----------------|----------------|---------------------|----------------------|
| 879TAB-K3-1/4 880TAB-K3-1/4 881TAB-K3-1/4 | 3.75 | 1 | | 3 | VT-980-T-S-0325-3 | VT-S-980-T-S-0325-3 |
| | | | | 6 | VT-980-T-S-0325-6 | VT-S-980-T-S-0325-6 |
| | | | | 10 | VT-980-T-S-0325-10 | VT-S-980-T-S-0325-10 |
| 879TAB-K4-1/2 880TAB-K4-1/2 881TAB-K4-1/2 | 5 | 1 | | 3 | VT-980-T-S-0450-3 | - |
| | | | | 6 | VT-980-T-S-0450-6 | VT-S-980-T-S-0450-6 |
| | | | | 10 | VT-980-T-S-0450-10 | VT-S-980-T-S-0450-10 |
| 881TAB-K7-1/2 | 8 | 1 | | 3 | VT-981-T-S-0750-3 | VT-S-981-T-S-0750-3 |
| | | | | 6 | VT-981-T-S-0750-6 | - |
| | | | | 10 | VT-981-T-S-0750-10 | VT-S-981-T-S-0750-10 |
| * 882TAB-K4-1/2 | 5 | 1.188 | | 3 | VT-982-T-S-0450-3 | VT-S-982-T-S-0450-3 |
| | | | | 6 | VT-982-T-S-0450-6 | VT-S-982-T-S-0450-6 |
| | | | | 10 | VT-982-T-S-0450-10 | VT-S-982-T-S-0450-10 |
| 882TAB-K7-1/2 | 8 | 1.188 | | 3 | VT-982-T-S-0750-3 | VT-S-982-T-S-0750-3 |
| | | | | 6 | VT-982-T-S-0750-6 | VT-S-982-T-S-0750-6 |
| | | | | 10 | VT-982-T-S-0750-10 | VT-S-982-T-S-0750-10 |
| 882TAB-K10 | 10.5 | 1.188 | | 3 | VT-982-T-S-1000-3 | - |
| | | | | 6 | VT-982-T-S-1000-6 | VT-S-982-T-S-1000-6 |
| | | | | 10 | VT-982-T-S-1000-10 | VT-S-982-T-S-1000-10 |
| 882TAB-K12 | 12.5 | 1.188 | | 3 | - | VT-S-982-T-S-1200-3 |
| | | | | 6 | VT-982-T-S-1200-6 | - |
| | | | | 10 | VT-982-T-S-1200-10 | VT-S-982-T-S-1200-10 |
| 1843 | 2 | 1 | | 3 | VT-943-T-S-0150-3 | - |
| | | | | 6 | VT-943-T-S-0150-6 | - |
| | | | | 10 | VT-943-T-S-0150-10 | - |
| * 1873-K3-1/4 1874-K3-1/4 | 3.75 | 1.375 | | 3 | VT-973-T-S-0325-3 | - |
| | | | | 6 | VT-973-T-S-0325-6 | VT-S-973-T-S-0325-6 |
| | | | | 10 | VT-973-T-S-0325-10 | VT-S-973-T-S-0325-10 |
| 1873-K4-1/2 1874-K4-1/2 | 5 | 1.375 | | 3 | VT-973-T-S-0450-3 | - |
| | | | | 6 | VT-973-T-S-0450-6 | - |
| | | | | 10 | VT-973-T-S-0450-10 | - |
| 1873-K6 1874-K6 | 6.5 | 1.375 | | 3 | - | - |
| | | | | 6 | - | - |
| | | | | 10 | VT-973-T-S-0600-10 | - |
| 1873-K7-1/2 1874-K7-1/2 | 8 | 1.375 | | 3 | - | - |
| | | | | 6 | VT-973-T-S-0750-6 | - |
| | | | | 10 | VT-973-T-S-0750-10 | - |
| 1701TAB | 3.25 | 1.25 | | 3 | VT-901-T-S-0209-3 | - |
| | | | | 6 | VT-901-T-S-0209-6 | - |
| | | | | 10 | VT-901-T-S-0209-10 | - |

*These ValuTrac modules are commonly used on side gripping, elevator/lowerator systems.



Bevel Style



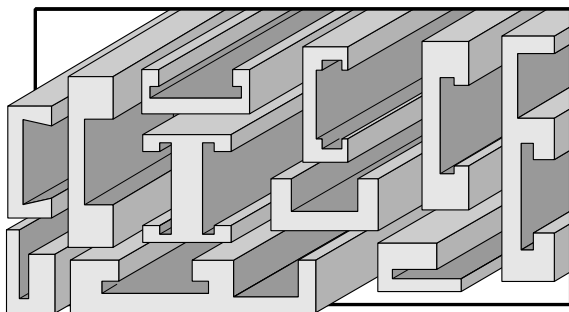
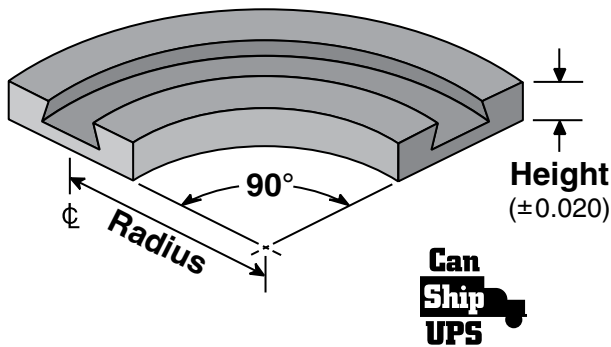
Sprockets, Wear Strips, Chain Guides

ValuTrac™ for bevel chains use a 1 piece track for carry-ways. Return-ways consist of 2 pieces, the track and a 5/8" thick chain support plate.

* Support plate spacing: 879=(7/32") 880=(3/16") 881=(5/32") 882=(7/32")



Curves for Bevel Chain



See page 138 for custom module ordering instructions.

NOLU-BR

Nolu-BR UHMW is our standard track material. It is a proprietary blend of resins and reground UHMW that maximizes wear and friction properties for most applications.

| Chain Number | Track Width | Track Height | Carry or Return | Radius | Nolu-BR Part Number |
|--|-------------|--------------|-----------------|--------|---------------------|
| 879-K3-1/4 880-K3-1/4 881-K3-1/4 | 3.75 | 1 | carry | 18 | VT-980-B-18-0325 |
| | | | | 24 | VT-980-B-24-0325 |
| | | | return | 18 | VT-980-R-18-0325 |
| | | | | 24 | VT-980-R-24-0325 |
| 879-K4-1/2 880-K4-1/2 881-K4-1/2 | 5 | 1 | carry | 24 | VT-980-B-24-0450 |
| | | | | 24 | VT-980-R-24-0450 |
| | | | return | 24 | VT-980-R-24-0450 |
| | | | | 24 | VT-980-R-24-0450 |
| 881-K7-1/2 | 8 | 1 | carry | 24 | VT-981-B-24-0750 |
| | | | | 24 | VT-981-R-24-0750 |
| | | | return | 24 | VT-981-R-24-0750 |
| | | | | 24 | VT-981-R-24-0750 |
| 882-K4-1/2 | 5 | 1.188 | carry | 24 | VT-982-B-24-0450 |
| | | | | 24 | VT-982-R-24-0450 |
| | | | return | 24 | VT-982-R-24-0450 |
| | | | | 24 | VT-982-R-24-0450 |
| 882-K7-1/2 | 8 | 1.188 | carry | 24 | VT-982-B-24-0750 |
| | | | | 24 | VT-982-R-24-0750 |
| | | | return | 24 | VT-982-R-24-0750 |
| | | | | 24 | VT-982-R-24-0750 |
| 882-K10 | 10.5 | 1.188 | carry | 24 | VT-982-B-24-1000 |

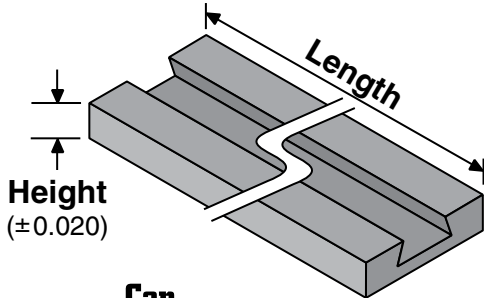
Note: Because the bottom dimensions of the 879, 880 and 881 chains are the same for widths up to 4 1/2", the VT-980 track is used for all three chains.



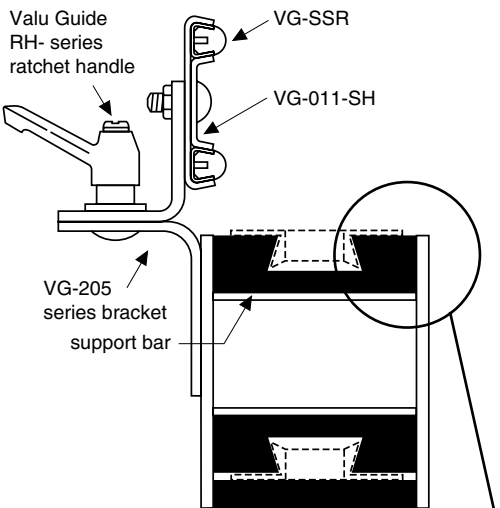
Straight Sections for Bevel Chain

NOLU-BR
 Nolu-BR UHMW is our standard track material. It is a proprietary blend of resins and reground UHMW that maximizes wear and friction properties for most applications.

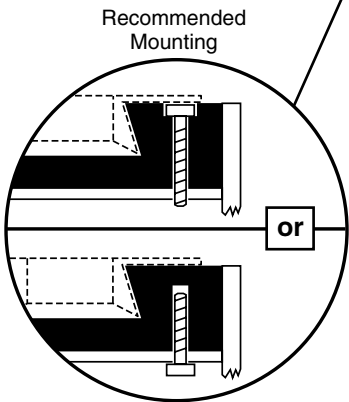
Sprockets, Wear Strips, Chain Guides



Can Ship UPS
 (3 & 6 ft. lengths)



Cross section of typical carry and return using Bevel Style ValuTrac and Valu Guide Conveyor Components.



| Chain Number | Track Width | Track Height | Carry or Return | Length in Feet | Nolu-BR Part Number |
|--|-------------|--------------|-----------------|----------------|---------------------|
| 879-K3-1/4 880-K3-1/4 881-K3-1/4 | 3.75 | 1 | carry | 3 | VT-980-B-S-0325-3 |
| | | | | 6 | VT-980-B-S-0325-6 |
| | | | | 10 | VT-980-B-S-0325-10 |
| | | | return | 3 | VT-980-R-S-0325-3 |
| | | | | 6 | VT-980-R-S-0325-6 |
| | | | | 10 | VT-980-R-S-0325-10 |
| 879-K4-1/2 880-K4-1/2 881-K4-1/2 | 5 | 1 | carry | 3 | VT-980-B-S-0450-3 |
| | | | | 6 | VT-980-B-S-0450-6 |
| | | | | 10 | VT-980-B-S-0450-10 |
| | | | return | 10 | VT-980-R-S-0450-10 |
| 881-K7-1/2 | 8 | 1 | carry | 3 | VT-981-B-S-0750-3 |
| | | | | 6 | VT-981-B-S-0750-6 |
| | | | | 10 | VT-981-B-S-0750-10 |
| | | | return | 10 | VT-981-R-S-0750-10 |
| 882-K4-1/2 | 5 | 1.188 | carry | 3 | VT-982-B-S-0450-3 |
| | | | | 6 | VT-982-B-S-0450-6 |
| | | | | 10 | VT-982-B-S-0450-10 |
| 882-K7-1/2 | 8 | 1.188 | carry | 6 | VT-982-B-S-0750-6 |
| | | | | 10 | VT-982-B-S-0750-10 |
| | | | return | 6 | VT-982-R-S-0750-6 |
| | | | | 10 | VT-982-R-S-0750-10 |
| 882-K10 | 10.5 | 1.188 | carry | 3 | VT-982-B-S-1000-3 |
| | | | | 6 | VT-982-B-S-1000-6 |
| | | | | 10 | VT-982-B-S-1000-10 |
| | | | return | 10 | VT-982-R-S-1000-10 |

Note: Because the bottom dimensions of the 879, 880 and 881 chains are the same for widths up to 4½", the VT-980 track is used for all three chains.

Chains typically used with ValuTrac™ Bevel Modules

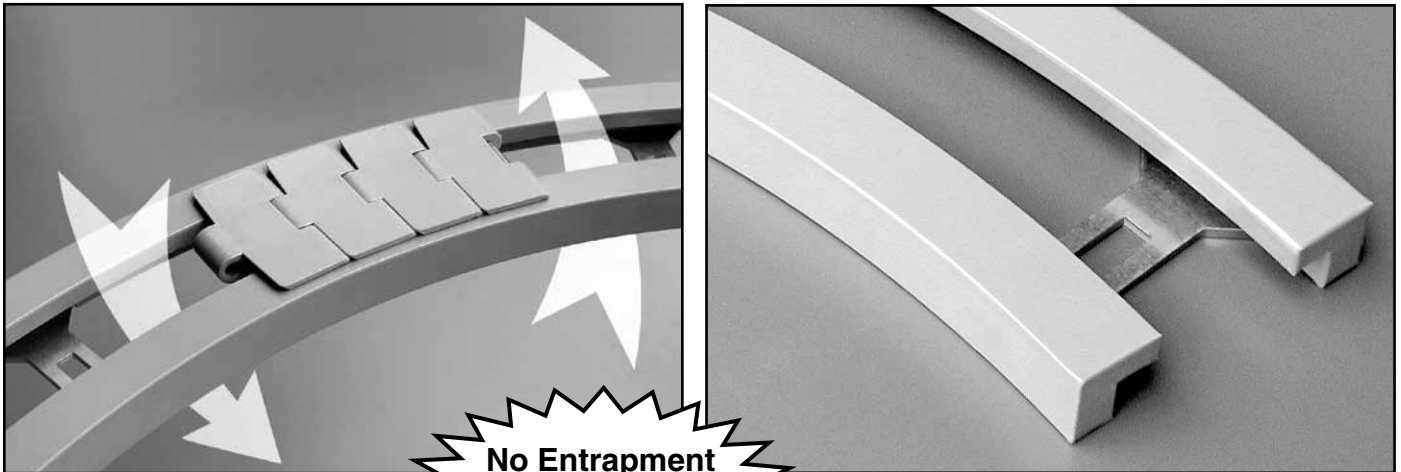
| Chain Number | 879- | 880- | 881-K3¼, 4½ | 881-K7½ | 882- |
|-----------------|--------------------|------|-------------|--------------------|--------------------|
| ValuTrac Module | 980-B or -R series | | | 981-B or -R series | 982-B or -R series |

SYSTEM PLAST™



Revolution in conveyor chain track

Sprockets, Wear Strips, Chain Guides



No Entrapment or Debris Buildup Areas!

VT2

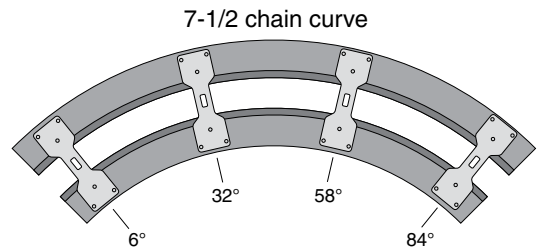
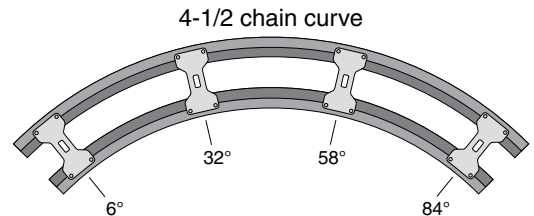
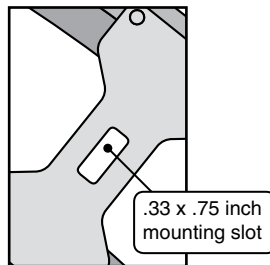
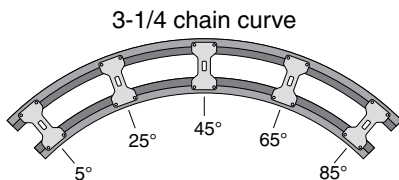
ValuTrac II

Combines the durability and low friction of our engineered plastic wear materials with sturdy stainless steel mounting plates. This makes mounting and replacement easy and quick.



Patent No. 6,964,333

- Stainless steel mounting plates.
- Standardized geometry for fast, repeatable installations.
- No entrapment or debris buildup areas - easy cleaning.
- Variety of track materials.
- Available for most popular chain sizes.
- Precision manufactured to exacting standards.

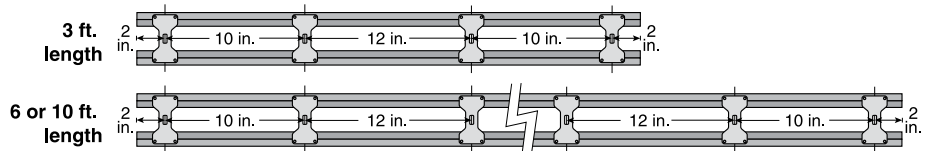


Chains typically used with ValuTrac II™ Tab Modules:

| | | | | |
|--------------------|--------------|-------|-------|-------|
| | | | | |
| Chain Number | 1873- | 1873G | 1874- | 1874G |
| ValuTrac II Module | 973-T-series | | | |

| | | | | | |
|--------------------|--------------|---------|--------------------|--------------|----------|
| | | | | | |
| Chain number | 879TAB- | 880TAB- | 881TAB-K3/4, 4 1/2 | 882TAB- | LBP882T- |
| ValuTrac II Module | 980-T-series | | | 982-T-series | |

NOTE: Specialty chain styles such as gripper and low back pressure use the same ValuTrac II module as the standard sideflexing counterpart. Example: Chain no. 1873G (gripper style) uses the same module as standard chain no. 1873-.





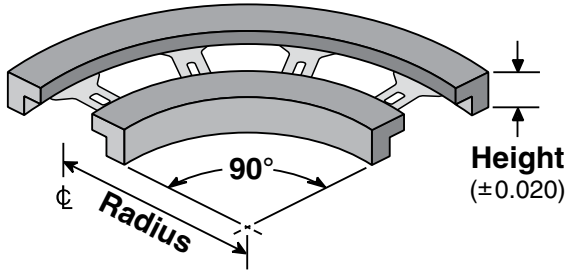
ValuTrac II



Curves for Tab Chain



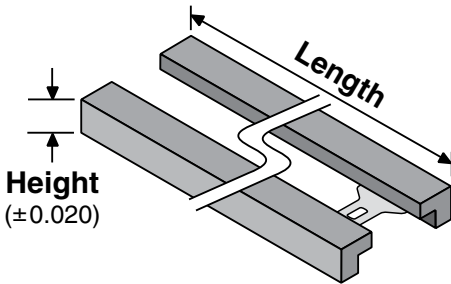
Sprockets, Wear Strips, Chain Guides



ValuTrac II™ for tab chains can be used as carry-ways, or flipped upside down and used as return-ways.

| NOLU-BR | NOLU-S | NOLU-SR |
|---|---|---|
| Nolu-BR UHMW is our standard track material. It is a proprietary blend of resins and reground UHMW that maximizes wear and friction properties for most applications. | Nolu-S is a blend of UHMW and other dry lubricants that maintains good wear characteristics while significantly reducing the track's coefficient of friction. | Nolu-SR combines the Nolu-S features with a much harder, longer wearing composition which can be used in most high-speed/high-load applications previously requiring Nylatron material. |

| Chain Number | Track Width | Track Height | Carry or Return | Radius | Nolu-BR Part Number | Nolu-S Part Number | Nolu-SR Part Number |
|---|-------------|--------------|-----------------|--------|---------------------|---------------------|----------------------|
| 879TAB-K3-1/4 880TAB-K3-1/4 881TAB-K3-1/4 | 3.75 | 1 | | 18 | VT2-980-T-18-0325 | VT2-S-980-T-18-0325 | VT2-SR-980-T-18-0325 |
| | | | | 24 | VT2-980-T-24-0325 | VT2-S-980-T-24-0325 | VT2-SR-980-T-24-0325 |
| 879TAB-K4-1/2 880TAB-K4-1/2 881TAB-K4-1/2 | 5 | 1 | | 24 | VT2-980-T-24-0450 | VT2-S-980-T-24-0450 | VT2-SR-980-T-24-0450 |
| 882TAB-K4-1/2 | 5 | 1.188 | | 24 | VT2-982-T-24-0450 | VT2-S-982-T-24-0450 | VT2-SR-982-T-24-0450 |
| 881TAB-K7-1/2 | 8 | 1 | | 24 | - | VT2-S-981-T-24-0750 | - |
| 882TAB-K7-1/2 | 8 | 1.188 | | 24 | VT2-982-T-24-0750 | VT2-S-982-T-24-0750 | VT2-SR-982-T-24-0750 |
| 1873-K3-1/4 1874-K3-1/4 | 3.75 | 1.375 | | 24 | VT2-973-T-24-0325 | - | VT2-SR-973-T-24-0325 |



Straight Sections for Tab Chain



| NOLU-BR | NOLU-S |
|---|---|
| Nolu-BR UHMW is our standard track material. It is a proprietary blend of resins and reground UHMW that maximizes wear and friction properties for most applications. | Nolu-S is a blend of UHMW and other dry lubricants that maintains good wear characteristics while significantly reducing the track's coefficient of friction. |

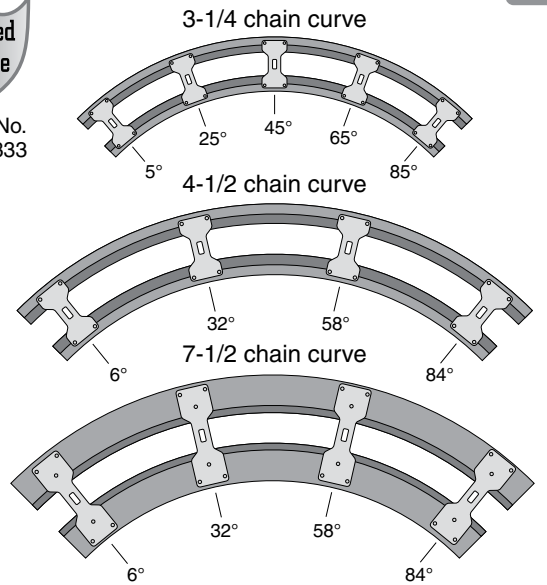
| Chain Number | Track Width | Track Height | Carry or Return | Length in Feet | Nolu-BR Part Number | Nolu-S Part Number |
|---|-------------|--------------|-----------------|----------------|---------------------|-----------------------|
| 879TAB-K3-1/4 880TAB-K3-1/4 881TAB-K3-1/4 | 3.75 | 1 | | 3 | VT2-980-T-S-0325-3 | VT2-S-980-T-S-0325-3 |
| | | | | 6 | VT2-980-T-S-0325-6 | VT2-S-980-T-S-0325-6 |
| | | | | 10 | VT2-980-T-S-0325-10 | VT2-S-980-T-S-0325-10 |
| 879TAB-K4-1/2 880TAB-K4-1/2 881TAB-K4-1/2 | 5 | 1 | | 3 | VT2-980-T-S-0450-3 | VT2-S-980-T-S-0450-3 |
| | | | | 6 | VT2-980-T-S-0450-6 | VT2-S-980-T-S-0450-6 |
| | | | | 10 | VT2-980-T-S-0450-10 | VT2-S-980-T-S-0450-10 |
| 882TAB-K4-1/2 | 5 | 1.188 | | 3 | - | VT2-S-982-T-S-0450-3 |
| | | | | 6 | - | VT2-S-982-T-S-0450-6 |
| | | | | 10 | VT2-982-T-S-0450-10 | VT2-S-982-T-S-0450-10 |
| 881TAB-K7-1/2 | 8 | 1 | | 6 | VT2-981-T-S-0750-6 | - |
| | | | | 10 | VT2-981-T-S-0750-10 | - |
| 882TAB-K7-1/2 | 8 | 1.188 | | 3 | VT2-982-T-S-0750-3 | VT2-S-982-T-S-0750-3 |
| | | | | 6 | VT2-982-T-S-0750-6 | VT2-S-982-T-S-0750-6 |
| | | | | 10 | VT2-982-T-S-0750-10 | VT2-S-982-T-S-0750-10 |
| 1873-K3-1/4 1874-K3-1/4 | 3.75 | 1.375 | | 10 | VT2-973-T-S-0325-10 | VT2-S-973-T-S-0325-10 |



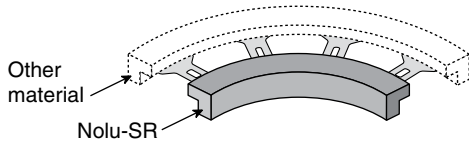
Patent No. 6,964,333

Hybrid Curves for Tab Chain

| NOLU-BR | NOLU-S | NOLU-SR |
|---|---|---|
| Nolu-BR UHMW is our standard track material. It is a proprietary blend of resins and reground UHMW that maximizes wear and friction properties for most applications. | Nolu-S is a blend of UHMW and other dry lubricants that maintains good wear characteristics while significantly reducing the track's coefficient of friction. | Nolu-SR combines the Nolu-S features with a much harder, longer wearing composition which can be used in most high-speed/high-load applications previously requiring Nylatron material. |

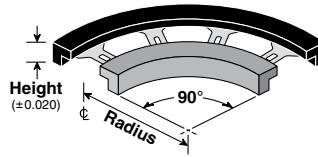


Sprockets, Wear Strips, Chain Guides

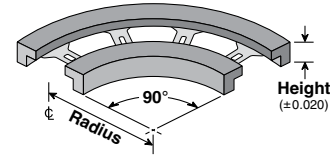


Most wear occurs on the inside portion of tracks. In some situations where Nolu-SR is necessary, ValuTrac III™ is an economical alternative to solid Nolu-SR curves.

Nolu-SR (inside) and Nolu-BR



Nolu-SR (inside) and Nolu-S



| Chain Number | Track Width | Track Height | Carry or Return | Radius | Part Number | Part Number |
|---|-------------|--------------|-----------------|--------|------------------------|------------------------|
| 879TAB-K3-1/4 880TAB-K3-1/4 881TAB-K3-1/4 | 3.75 | 1 | | 24 | VT3-SR-B-980-T-24-0325 | - |
| 879TAB-K4-1/2 880TAB-K4-1/2 881TAB-K4-1/2 | 5 | 1 | | 24 | VT3-SR-B-980-T-24-0450 | VT3-SR-S-980-T-24-0450 |
| 882TAB-K4-1/2 | 5 | 1.188 | | 24 | VT3-SR-B-982-T-24-0450 | VT3-SR-S-982-T-24-0450 |

Chains typically used with ValuTrac III™ Tab Modules:

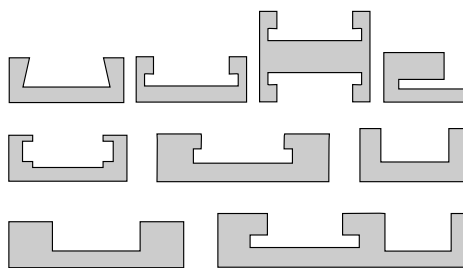
| Chain number | 879TAB- | 880TAB- | 881TAB-K3¼, 4½ | 882TAB- | LBP882T- |
|---------------------|--------------|---------|----------------|--------------|----------|
| ValuTrac III Module | 980-T-series | | | 982-T-series | |

NOTE: Specialty chain styles such as gripper and low back pressure use the same ValuTrac II module as the standard sideflexing counterpart. Example: Chain no. 1873G (grripper style) uses the same module as standard chain no. 1873-.

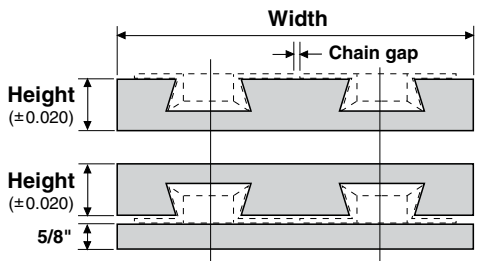


Custom ValuTrac Sizes and Styles

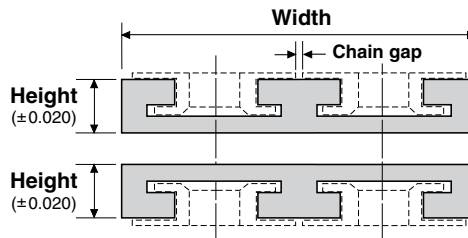
ValuTrac™ is available in a wide variety of custom sizes and styles. One piece modules with angles up to 180° can be manufactured with special radius selections, widths, and thicknesses. Special styles include: multi-lane, multi-chain, kits for side gripper style elevators, lowerators, rinsers, and other styles of side flexing chain. Tangents are also available on custom corner modules.



Additional ValuTrac custom modules



Section view of typical multi-lane bevel chain module



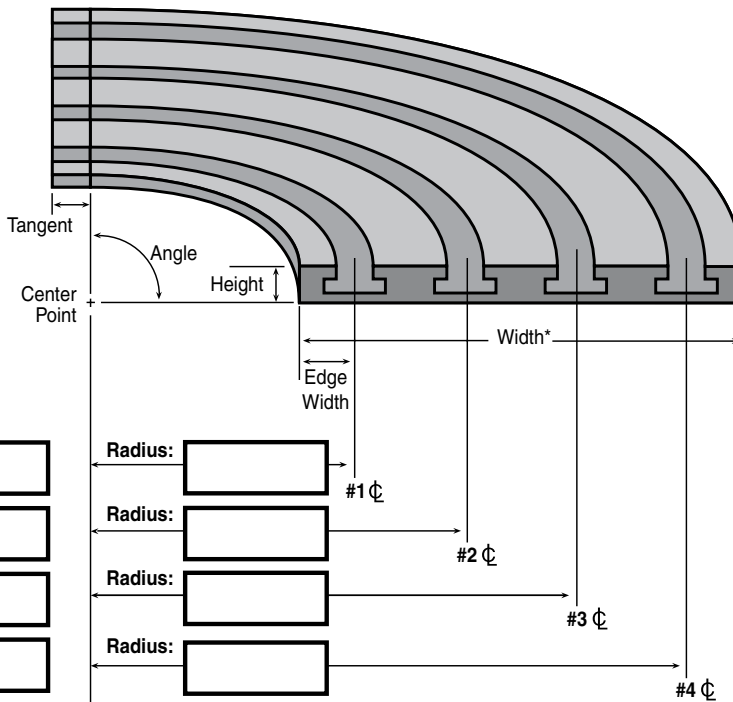
Section view of typical multi-lane tab chain module

Enter the information in the boxes below and fax to System Plast Customer Service at 866-447-6587.

Custom Straights Custom Turns

| | | |
|--|----------------------|----------------------|
| No. of carry modules | <input type="text"/> | <input type="text"/> |
| No. of return modules | <input type="text"/> | <input type="text"/> |
| Length (Overall length of module 6 feet typical) | <input type="text"/> | NOT APPLICABLE |
| Tangent length (if req.) (3 inches typical, both ends unless indicated) | NOT APPLICABLE | <input type="text"/> |
| Angle (in degrees) | NOT APPLICABLE | <input type="text"/> |
| Height (Overall height of module in inches) | <input type="text"/> | <input type="text"/> |
| Width* (Overall width of module considering all chain widths and chain gaps) | <input type="text"/> | <input type="text"/> |
| Edge Width (Edge of module to center- line of chain #1 in inches) | <input type="text"/> | <input type="text"/> |
| Chain Gap (Space between edges of chain) | <input type="text"/> | <input type="text"/> |
| Chain Style #1: (Example: 880 TAB K3 1/4) | <input type="text"/> | <input type="text"/> |
| Chain Style #2: | <input type="text"/> | <input type="text"/> |
| Chain Style #3: | <input type="text"/> | <input type="text"/> |
| Chain Style #4: | <input type="text"/> | <input type="text"/> |

Person requesting custom information _____
 Company Name _____
 Phone _____ Fax _____



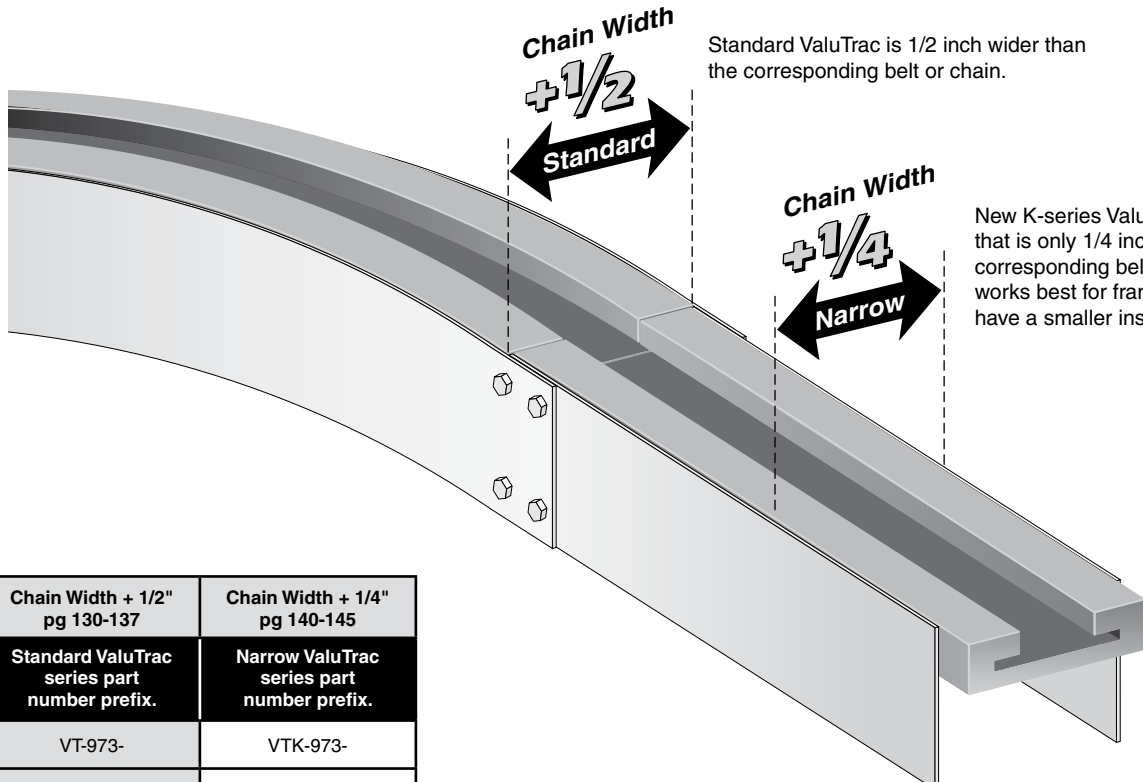
Material: (Please check one) Nolu-BR Black UHMW: Nolu-S Lubricated UHMW: Nolu-SR Lubricated UHMW: Virgin White UHMW:

Other: _____

***NOTE:** Please include the desired gap between each chain when calculating the overall module width. Recommended minimum gap is 1/16".



NARROW VALU TRAC™

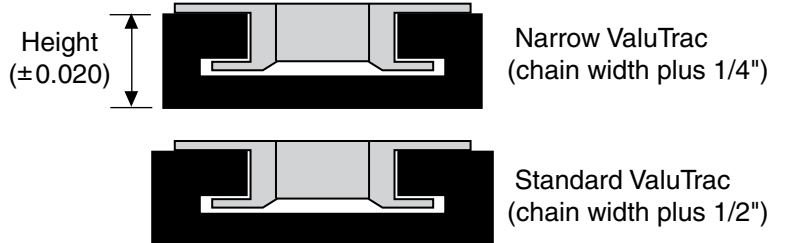


Standard ValuTrac is 1/2 inch wider than the corresponding belt or chain.

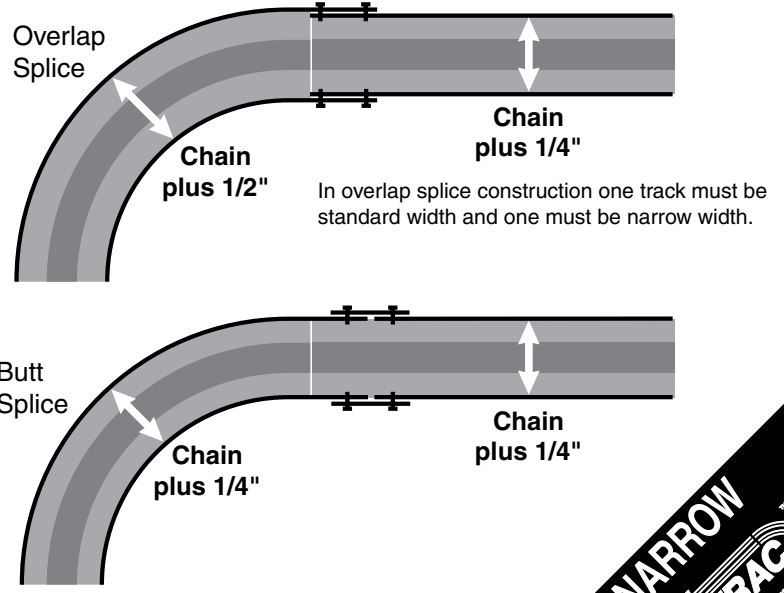
New K-series ValuTrac has a width that is only 1/4 inch wider than the corresponding belt or chain. This works best for frame designs that have a smaller inside dimension.

Sprockets, Wear Strips, Chain Guides

| | Chain Width + 1/2" pg 130-137 | Chain Width + 1/4" pg 140-145 |
|---------------|--|--|
| | Standard ValuTrac series part number prefix. | Narrow ValuTrac series part number prefix. |
| VALU TRAC I | VT-973- | VTK-973- |
| | VT-S-973- | VTK-S-973- |
| | VT-SR-973- | VTK-SR-973- |
| | VT-980- | VTK-980- |
| | VT-S-980- | VTK-S-980- |
| | VT-SR-980- | VTK-SR-980- |
| | VT-981- | VTK-981- |
| | VT-982- | VTK-982- |
| | VT-S-982- | VTK-S-982- |
| | VT-SR-982- | VTK-SR-982- |
| VALU TRAC II | VT2-980- | VT2K-980- |
| | VT2-S-980- | VT2K-S-980- |
| | VT2-SR-980- | VT2K-SR-980- |
| | VT2-982- | VT2K-982- |
| | VT2-S-982- | VT2K-S-982- |
| | VT2-SR-982- | VT2K-SR-982- |
| VALU TRAC III | VT3-SR-B-980- | VT3K-SR-B-980- |
| | VT3-SR-S-980- | VT3K-SR-S-980- |
| | VT3-SR-B-982- | VT3K-SR-B-982- |
| | VT3-SR-S-982- | VT3K-SR-S-982- |



Typical conveyor frame construction methods:



In overlap splice construction one track must be standard width and one must be narrow width.

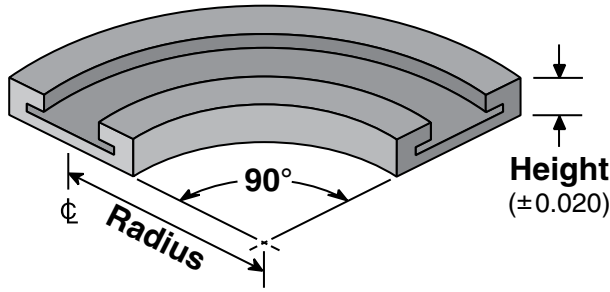
NARROW VALU TRAC™
Chain width plus 1/4 inch



Narrow ValuTrac

NARROW VALU-TRAC

Curves for Tab Chain



Sprockets, Wear Strips, Chain Guides

Narrow ValuTrac™ for tab chains can be used as carry-ways, or flipped upside down and used as return-ways.



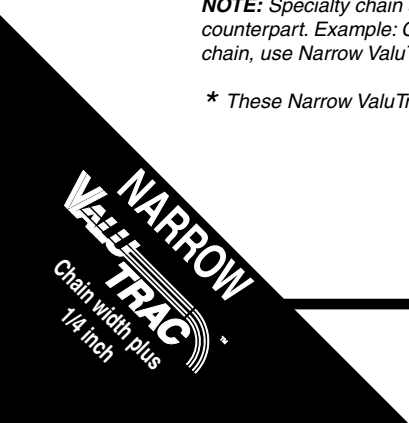
| | | | | NOLU-BR | NOLU-S | NOLU-SR | |
|---|-------------|--------------|-----------------|---|---|---|----------------------|
| | | | | Nolu-BR UHMW is our standard track material. It is a proprietary blend of resins and reground UHMW that maximizes wear and friction properties for most applications. | Nolu-S is a blend of UHMW and other dry lubricants that maintains good wear characteristics while significantly reducing the track's coefficient of friction. | Nolu-SR combines the Nolu-S features with a much harder, longer wearing composition which can be used in most high-speed/high-load applications previously requiring Nylatron material. | |
| Chain Number | Track Width | Track Height | Carry or Return | Radius | Nolu-BR Part Number | Nolu-S Part Number | Nolu-SR Part Number |
| 879TAB-K3-1/4 880TAB-K3-1/4 881TAB-K3-1/4 | 3.5 | 1 | | 18 | VTK-980-T-18-0325 | VTK-S-980-T-18-0325 | VTK-SR-980-T-18-0325 |
| | | | | 24 | VTK-980-T-24-0325 | VTK-S-980-T-24-0325 | VTK-SR-980-T-24-0325 |
| 879TAB-K4-1/2 880TAB-K4-1/2 881TAB-K4-1/2 | 4.75 | 1 | | 24 | VTK-980-T-24-0450 | VTK-S-980-T-24-0450 | VTK-SR-980-T-24-0450 |
| * 882TAB-K4-1/2 | 4.75 | 1.188 | | 24 | VTK-982-T-24-0450 | VTK-S-982-T-24-0450 | VTK-SR-982-T-24-0450 |
| 882TAB-K7-1/2 | 7.75 | | | | VTK-982-T-24-0750 | VTK-S-982-T-24-0750 | VTK-SR-982-T-24-0750 |
| 882TAB-K12 | 12.25 | | | | VTK-982-T-24-1200 | VTK-S-982-T-24-1200 | VTK-SR-982-T-24-1200 |
| 1873-K4-1/2 1874-K4-1/2 | 4.75 | 1.375 | | 18 | VTK-973-T-18-0450 | - | - |
| | | | | 24 | VTK-973-T-24-0450 | - | - |
| 1873-K7-1/2 1874-K7-1/2 | 7.75 | 1.375 | | 24 | VTK-973-T-24-0750 | VTK-S-973-T-24-0750 | VTK-SR-973-T-24-0750 |

Chains typically used with Narrow ValuTrac™ Tab Modules:

| | | | | | | |
|-----------------|--------------|---------|----------------------|---------------|--------------|----------|
| | | | | | | |
| Chain Number | 1873- | 1873G | 1874- | 1874G | | |
| Narrow ValuTrac | 973-T-series | | | | | |
| | | | | | | |
| Chain number | 879TAB- | 880TAB- | 881TAB-K3 1/4, 4 1/2 | 881TAB-K7 1/2 | 882TAB- | LBP882T- |
| Narrow ValuTrac | 980-T-series | | | 981-T-series | 982-T-series | |

NOTE: Specialty chain styles such as gripper and low back pressure use the same Narrow ValuTrac module as the standard sideflexing counterpart. Example: Chain no. 1873G (grripper style) uses the same module as standard chain no. 1873-. For 815, 820, or 831 style chain, use Narrow ValuTrac part number VTK-980-T-.

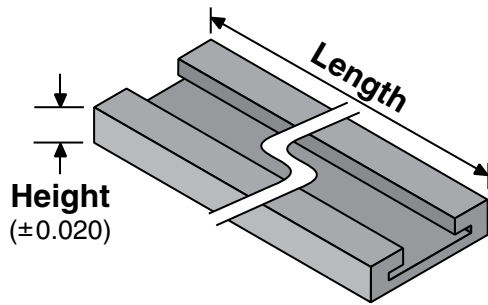
* These Narrow ValuTrac modules are commonly used on side gripping, elevator/lowerator systems.





NARROW VALU TRAC

Straight Sections for Tab Chain



Narrow ValuTrac™ for tab chains can be used as carry-ways, or flipped upside down and used as return-ways.



(3 & 6 ft. lengths)

| NOLU-BR | NOLU-S |
|---|---|
| Nolu-BR UHMW is our standard track material. It is a proprietary blend of resins and reground UHMW that maximizes wear and friction properties for most applications. | Nolu-S is a blend of UHMW and other dry lubricants that maintains good wear characteristics while significantly reducing the track's coefficient of friction. |

Sprockets, Wear Strips, Chain Guides

| Chain Number | Track Width | Track Height | Carry or Return | Length in Feet | Nolu-BR Part Number | Nolu-S Part Number |
|---|-------------|--------------|-----------------|----------------|---------------------|-----------------------|
| 879TAB-K3-1/4 880TAB-K3-1/4 881TAB-K3-1/4 | 3.5 | 1 | | 6 | VTK-980-T-S-0325-6 | - |
| | | | | 10 | VTK-980-T-S-0325-10 | VTK-S-980-T-S-0325-10 |
| 879TAB-K4-1/2 880TAB-K4-1/2 881TAB-K4-1/2 | 4.75 | 1 | | 3 | VTK-980-T-S-0450-3 | - |
| | | | | 6 | VTK-980-T-S-0450-6 | - |
| | | | | 10 | VTK-980-T-S-0450-10 | VTK-S-980-T-S-0450-10 |
| * 882TAB-K4-1/2 | 4.75 | 1.188 | | 3 | VTK-982-T-S-0450-3 | - |
| | | | | 6 | VTK-982-T-S-0450-6 | - |
| | | | | 10 | VTK-982-T-S-0450-10 | - |
| 882TAB-K7-1/2 | 7.75 | 1.188 | | 3 | - | VTK-S-982-T-S-0750-3 |
| | | | | 6 | VTK-982-T-S-0750-6 | - |
| | | | | 10 | VTK-982-T-S-0750-10 | - |
| 882TAB-K10 | 10.25 | 1.188 | | 3 | VTK-982-T-S-1000-3 | - |
| | | | | 10 | VTK-982-T-S-1000-10 | - |
| * 1873-K3-1/4 1874-K3-1/4 | 3.5 | 1.375 | | 3 | VTK-973-T-S-0325-3 | - |
| | | | | 6 | - | VTK-S-973-T-S-0325-6 |
| | | | | 10 | VTK-973-T-S-0325-10 | VTK-S-973-T-S-0325-10 |
| 1873-K4-1/2 1874-K4-1/2 | 4.75 | 1.375 | | 10 | VTK-973-T-S-0450-10 | - |
| 1873-K6 1874-K6 | 6.25 | 1.375 | | 10 | VTK-973-T-S-0600-10 | - |

*These Narrow ValuTrac modules are commonly used on side gripping, elevator/lowerator systems.



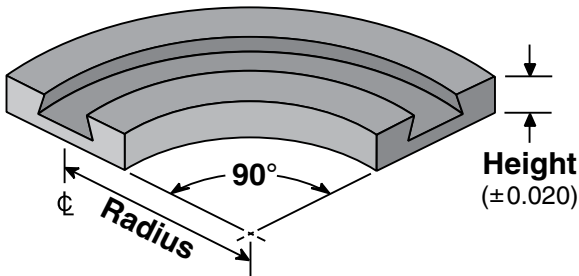


Curves for Bevel Chain

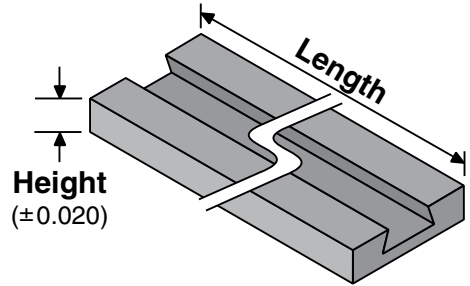


Straight Sections for Bevel Chain

Sprockets, Wear Strips, Chain Guides



NOLU-BR
 Nolu-BR UHMW is our standard track material. It is a proprietary blend of resins and reground UHMW that maximizes wear and friction properties for most applications.



| Chain Number | Track Width | Track Height | Carry or Return | Radius | Nolu-BR Part Number | | | |
|--|-------------|--------------|-----------------|--------|---------------------|-------------------|-------|-------|
| 879-K3-1/4 880-K3-1/4 881-K3-1/4 | 3.5 | 1 | Carry | 18 | VTK-980-B-18-0325 | | | |
| | | | | 24 | VTK-980-B-24-0325 | | | |
| | | | Return | 18 | VTK-980-R-18-0325 | | | |
| | | | | 24 | VTK-980-R-24-0325 | | | |
| 879-K4-1/2 880-K4-1/2 881-K4-1/2 | 4.75 | 1 | Carry | 24 | VTK-980-B-24-0450 | | | |
| | | | | | Return | VTK-980-R-24-0450 | | |
| | | | Carry | | | 7.75 | 1 | 24 |
| | | | | | Return | | | |
| 882-K4-1/2 | 4.75 | 1.188 | Return | 24 | | VTK-982-R-24-0450 | | |
| | | | | | 882-K7-1/2 | 7.75 | 1.188 | Carry |
| 882-K10 | 10.25 | 1.188 | Carry | 24 | | | | |

| Chain Number | Track Width | Track Height | Carry or Return | Length (Feet) | Nolu-BR Part Number |
|--|-------------|--------------|-----------------|---------------|---------------------|
| 879-K3-1/4 880-K3-1/4 881-K3-1/4 | 3.5 | 1 | Carry | 6 | VTK-980-B-S-0325-6 |
| | | | | 10 | VTK-980-B-S-0325-10 |
| 879-K4-1/2 880-K4-1/2 881-K4-1/2 | 4.75 | 1 | Carry | 3 | VTK-980-B-S-0450-3 |
| | | | | 6 | VTK-980-B-S-0450-6 |
| | | | | 10 | VTK-980-B-S-0450-10 |
| 881-K7-1/2 | 7.75 | 1 | Carry | 6 | VTK-981-B-S-0750-6 |
| | | | | 10 | VTK-981-B-S-0750-10 |
| 882-K4-1/2 | 4.75 | 1.188 | Carry | 3 | VTK-982-B-S-0450-3 |
| | | | | 6 | VTK-982-B-S-0450-6 |
| | | | | 10 | VTK-982-B-S-0450-10 |
| 882-K7-1/2 | 7.75 | 1.188 | Carry | 3 | VTK-982-B-S-0750-3 |
| | | | | 6 | VTK-982-B-S-0750-6 |
| 882-K10 | 10.25 | 1.188 | Carry | 3 | VTK-982-B-S-1000-3 |
| | | | | 6 | VTK-982-B-S-1000-6 |
| | | | | 10 | VTK-982-B-S-1000-10 |

Narrow ValuTrac™ for bevel chains use a 1 piece track for carry-ways. Return-ways consist of 2 pieces, the track and a 5/8" thick chain support plate. See page 133 for detailed drawing.

* Support plate spacing: 879=(7/32") 880=(3/16") 881=(5/32") 882=(7/32")

Note: Because the bottom dimensions of the 879, 880 and 881 chains are the same for widths up to 4 1/2", the VTK-980 track is used for all three chains.

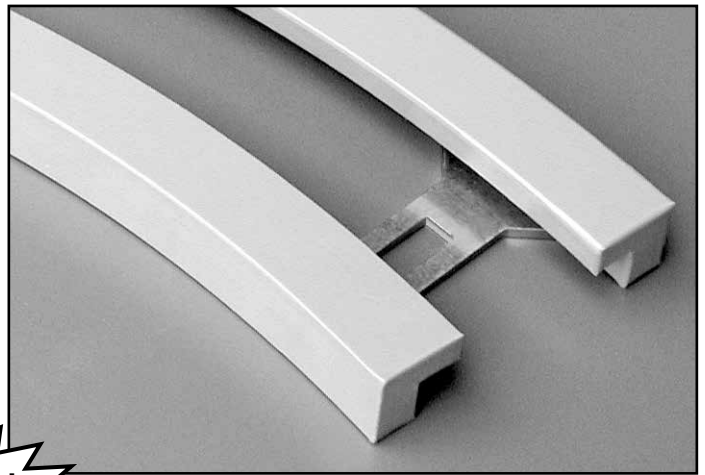
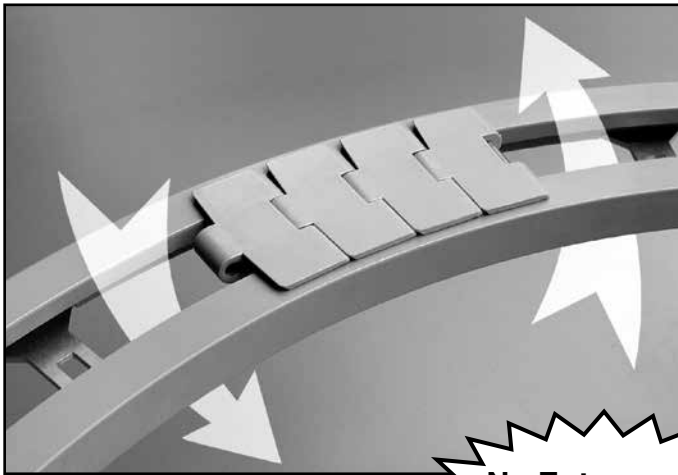
Chains typically used with Narrow ValuTrac™ Bevel Modules

| Chain Number | 879- | 880- | 881-K3¼, 4½ | 881-K7½ | 882- |
|-----------------|--------------------|------|-------------|--------------------|--------------------|
| Narrow ValuTrac | 980-B or -R series | | | 981-B or -R series | 982-B or -R series |





NARROW VALU TRAC II TM Revolution in conveyor chain track



Sprockets, Wear Strips, Chain Guides

No Entrapment or Debris Buildup Areas!

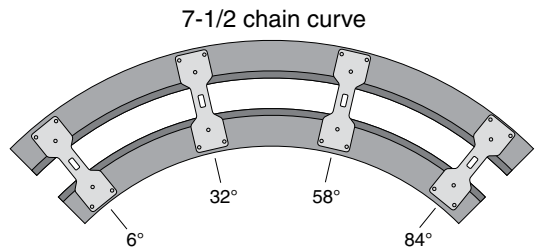
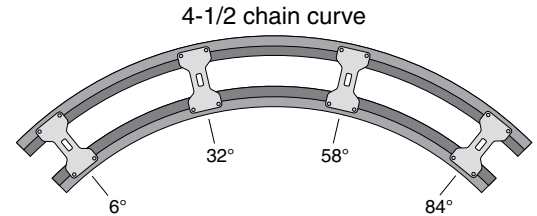
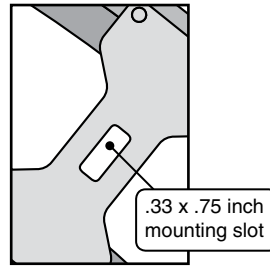
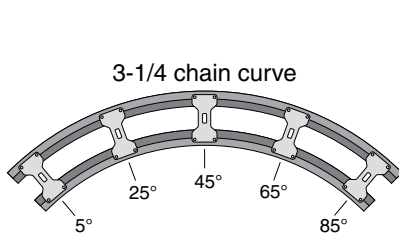
VTK2 Narrow ValuTrac II

Combines the durability and low friction of our engineered plastic wear materials with sturdy stainless steel mounting plates. This makes mounting and replacement easy and quick.



Patent No. 6,964,333

- Stainless steel mounting plates.
- Standardized geometry for fast, repeatable installations.
- No entrapment or debris buildup areas - easy cleaning.
- Variety of track materials.
- Available for most popular chain sizes.
- Precision manufactured to exacting standards.



Chains typically used with Narrow ValuTrac II™ Tab Modules:

| | | | | |
|--------------------|--------------|-------|-------|-------|
| | | | | |
| Chain Number | 1873- | 1873G | 1874- | 1874G |
| ValuTrac II Module | 973-T-series | | | |

| | | | | | |
|--------------------|--------------|---------|----------------------|---------|--------------|
| | | | | | |
| Chain number | 879TAB- | 880TAB- | 881TAB-K3 1/4, 4 1/2 | 882TAB- | LBP882T- |
| ValuTrac II Module | 980-T-series | | | | 982-T-series |

NOTE: Specialty chain styles such as gripper and low back pressure use the same ValuTrac II module as the standard sideflexing counterpart. Example: Chain no. 1873G (gripper style) uses the same module as standard chain no. 1873-.

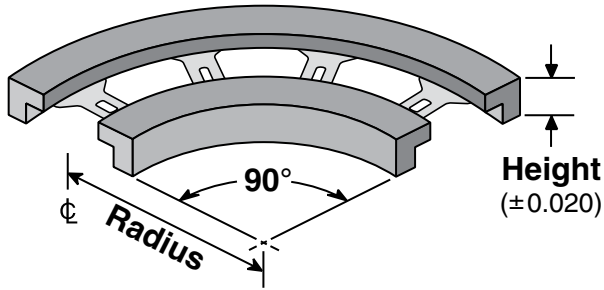


Narrow ValuTrac II

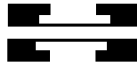
NARROW VALU TRAC II Curves for Tab Chain



Patent No. 6,964,333



ValuTrac II™ for tab chains can be used as carry-ways, or flipped upside down and used as return-ways.

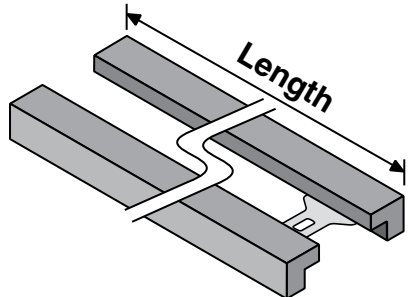


| Chain Number | Track Width | Track Height | Carry or Return | Radius | NOLU-BR | NOLU-S | NOLU-SR |
|---|-------------|--------------|-----------------|--------|----------------------|-----------------------|-----------------------|
| | | | | | Part Number | Part Number | Part Number |
| 879TAB-K3-1/4 880TAB-K3-1/4 881TAB-K3-1/4 | 3.5 | 1 | | 18 | - | VT2K-S-980-T-18-0325 | VT2K-SR-980-T-18-0325 |
| 24 | | | | - | VT2K-S-980-T-24-0325 | VT2K-SR-980-T-24-0325 | |
| 879TAB-K4-1/2 880TAB-K4-1/2 881TAB-K4-1/2 | 4.75 | 1 | | 24 | VT2K-980-T-24-0450 | VT2K-S-980-T-24-0450 | VT2K-SR-980-T-24-0450 |
| 882TAB-K4-1/2 | | | | 4.75 | 1.188 | | 24 |
| 1873-K3-1/4 1874-K3-1/4 | 3.5 | 1.375 | | 24 | - | - | VT2K-SR-973-T-24-0325 |

NOLU-BR
Nolu-BR UHMW is our standard track material. It is a proprietary blend of resins and reground UHMW that maximizes wear and friction properties for most applications.

NOLU-S
Nolu-S is a blend of UHMW and other dry lubricants that maintains good wear characteristics while significantly reducing the track's coefficient of friction.

NOLU-SR
Nolu-SR combines the Nolu-S features with a much harder, longer wearing composition which can be used in most high-speed/high-load applications previously requiring Nylatron material.



Straight Sections for Tab Chain



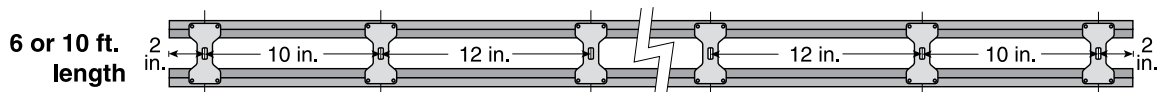
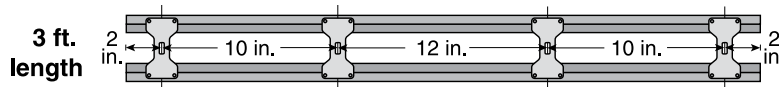
(3 & 6 ft. lengths)

| Chain Number | Track Width | Track Height | Carry or Return | Length in Feet | NOLU-BR | NOLU-S |
|---|-------------|--------------|-----------------|----------------|----------------------|------------------------|
| | | | | | Part Number | Part Number |
| 879TAB-K3-1/4 880TAB-K3-1/4 881TAB-K3-1/4 | 3.5 | 1 | | 3 | - | VT2K-S-980-T-S-0325-3 |
| | | | | 6 | - | VT2K-S-980-T-S-0325-6 |
| | | | | 10 | VT2K-980-T-S-0325-10 | VT2K-S-980-T-S-0325-10 |
| 879TAB-K4-1/2 880TAB-K4-1/2 881TAB-K4-1/2 | 4.75 | 1 | | 3 | VT2K-980-T-S-0450-3 | VT2K-S-980-T-S-0450-3 |
| | | | | 6 | VT2K-980-T-S-0450-6 | VT2K-S-980-T-S-0450-6 |
| | | | | 10 | VT2K-980-T-S-0450-10 | VT2K-S-980-T-S-0450-10 |
| 882TAB-K4-1/2 | 4.75 | 1.188 | | 3 | - | VT2K-S-982-T-S-0450-3 |
| | | | | 6 | - | VT2K-S-982-T-S-0450-6 |
| | | | | 10 | - | VT2K-S-982-T-S-0450-10 |
| 1873-K3-1/4 1874-K3-1/4 | 3.5 | 1.375 | | 10 | VT2K-973-T-S-0325-10 | VT2K-S-973-T-S-0325-10 |

NOLU-BR
Nolu-BR UHMW is our standard track material. It is a proprietary blend of resins and reground UHMW that maximizes wear and friction properties for most applications.

NOLU-S
Nolu-S is a blend of UHMW and other dry lubricants that maintains good wear characteristics while significantly reducing the track's coefficient of friction.

| Chain Number | Track Width | Track Height | Carry or Return | Length in Feet | Nolu-BR Part Number | Nolu-S Part Number |
|---|-------------|--------------|-----------------|----------------|----------------------|------------------------|
| 879TAB-K3-1/4 880TAB-K3-1/4 881TAB-K3-1/4 | 3.5 | 1 | | 3 | - | VT2K-S-980-T-S-0325-3 |
| | | | | 6 | - | VT2K-S-980-T-S-0325-6 |
| | | | | 10 | VT2K-980-T-S-0325-10 | VT2K-S-980-T-S-0325-10 |
| 879TAB-K4-1/2 880TAB-K4-1/2 881TAB-K4-1/2 | 4.75 | 1 | | 3 | VT2K-980-T-S-0450-3 | VT2K-S-980-T-S-0450-3 |
| | | | | 6 | VT2K-980-T-S-0450-6 | VT2K-S-980-T-S-0450-6 |
| | | | | 10 | VT2K-980-T-S-0450-10 | VT2K-S-980-T-S-0450-10 |
| 882TAB-K4-1/2 | 4.75 | 1.188 | | 3 | - | VT2K-S-982-T-S-0450-3 |
| | | | | 6 | - | VT2K-S-982-T-S-0450-6 |
| | | | | 10 | - | VT2K-S-982-T-S-0450-10 |
| 1873-K3-1/4 1874-K3-1/4 | 3.5 | 1.375 | | 10 | VT2K-973-T-S-0325-10 | VT2K-S-973-T-S-0325-10 |



NARROW VALU TRAC II
Chain width plus 1/4 inch



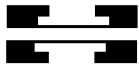
NARROW VALU TRAC III™

Hybrid Curves for Tab Chain

| NOLU-BR | NOLU-S | NOLU-SR |
|---|---|---|
| Nolu-BR UHMW is our standard track material. It is a proprietary blend of resins and reground UHMW that maximizes wear and friction properties for most applications. | Nolu-S is a blend of UHMW and other dry lubricants that maintains good wear characteristics while significantly reducing the track's coefficient of friction. | Nolu-SR combines the Nolu-S features with a much harder, longer wearing composition which can be used in most high-speed/high-load applications previously requiring Nylatron material. |

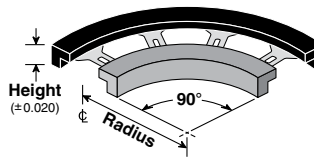


Patent No. 6,964,333

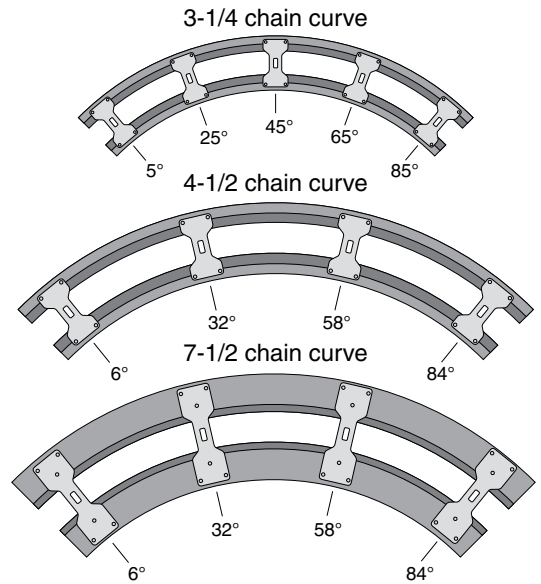
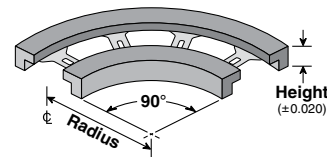


ValuTrac III™ for tab chains can be used as carry-ways, or flipped upside down and used as return-ways.

Nolu-SR (inside) and Nolu-BR



Nolu-SR (inside) and Nolu-S



Sprockets, Wear Strips, Chain Guides

| Chain Number | Track Width | Track Height | Carry or Return | Radius | Part Number | Part Number |
|---|-------------|--------------|-----------------|--------|-------------------------|-------------------------|
| 879TAB-K3-1/4 880TAB-K3-1/4 881TAB-K3-1/4 | 3.5 | 1 | | 18 | VT3K-SR-B-980-T-18-0325 | VT3K-SR-S-980-T-18-0325 |
| | | | | 24 | - | VT3K-SR-S-980-T-24-0325 |
| 879TAB-K4-1/2 880TAB-K4-1/2 881TAB-K4-1/2 | 4.75 | 1 | | 24 | - | VT3K-SR-S-980-T-24-0450 |
| 882TAB-K4-1/2 | 4.75 | 1.188 | | 24 | VT3K-SR-B-982-T-24-0450 | VT3K-SR-S-982-T-24-0450 |



Chains typically used with ValuTrac III™ Tab Modules:

| | | | | | |
|---------------------|--------------|---------|----------------------|--------------|----------|
| | | | | | |
| Chain Number | 1873- | 1873G | 1874- | 1874G | |
| ValuTrac III Module | 973-T-series | | | | |
| | | | | | |
| Chain number | 879TAB- | 880TAB- | 881TAB-K3 1/4, 4 1/2 | 882TAB- | LBP882T- |
| ValuTrac III Module | 980-T-series | | | 982-T-series | |

NOTE: Specialty chain styles such as gripper and low back pressure use the same ValuTrac II module as the standard sideflexing counterpart. Example: Chain no. 1873G (gripper style) uses the same module as standard chain no. 1873.





Magnetic Corner Tracks

Sprockets, Wear Strips, Chain Guides

CHARACTERISTICS

The Dual Magnetic System Curves are used in conjunction with stainless steel or plastic chains.

The chains are retained in the system by the magnetic field created by the magnets that are located within the curve material. The Dual Magnetic System chains and curves, compared to the older tab or bevel system, offer the user greater flexibility and improved efficiency as the design allows for easy removal of the chains from the curve - for cleaning and maintenance purposes. In this way, magnetic corner tracks contribute to TPM (Total Productive Maintenance) programs.

ADVANTAGES

Steel and Plastic chains can be used in the same curves which means simpler conveyor construction, reduced inventories and ultimately lower costs. Stainless Steel sideflexing magnetic retained chain has the same hinge width as the 815 series straight running chain and therefore uses the identical sprockets to the 815 series.

Easier maintenance construction

Magnetic retained chains do not incorporate the use of tab or bevel shoes, therefore, with a magnetic system, chains can be removed from the curve without dismantling the chain. As a result, maintenance and cleaning is easier which reduces downtime.

NEW MAGNETIC SYSTEM WITH METAL STRIP: "EXTRA" CURVES

System Plast has recently developed a new magnetic corner retention system for dry-running applications. The system, which is patent pending, sets new performance standards in magnet curve technology due to the inclusion of a unique metal strip mounted in the inside bearing face of the top section. This area is constantly under load due to the pressure/speed factor.

Main advantages:

- Extreme dissipation of heat significantly reduces wear.
- Under test conditions, lowest noise decibel levels were recorded.
- "Extra" curves are strongly recommended with plastic chains only!

MATERIAL

The standard upper section of the Dual Magnetic System curve is produced from 1200 grade UHMW-PE (ultra high molecular weight polyethylene) with the molecular weight exceeding 7.3 million g/mol., which ensures optimum wear life.

The return track is available in standard regenerated 1000 grade UHMW-PE (ultra high molecular weight polyethylene) with the molecular weight exceeding 4 million g/mol. This ensures a cost saving advantage for the end-user, as the wear on the return track is normally less significant than the top section.

Standard - The standard color of the upper section is waterblue, but it is also available in different colors subject to minimum order quantity. The return section is black regenerate material.

Nolu-S - This type of material is strongly recommended for steel and plastic chains with higher running speeds. The upper section is Nolu-S (light grey). The return section is black regenerate material.

Nolu-SR - This type of material is recommended for abrasive applications. The upper section is Nolu-SR (dark grey). The return section is black regenerate material.

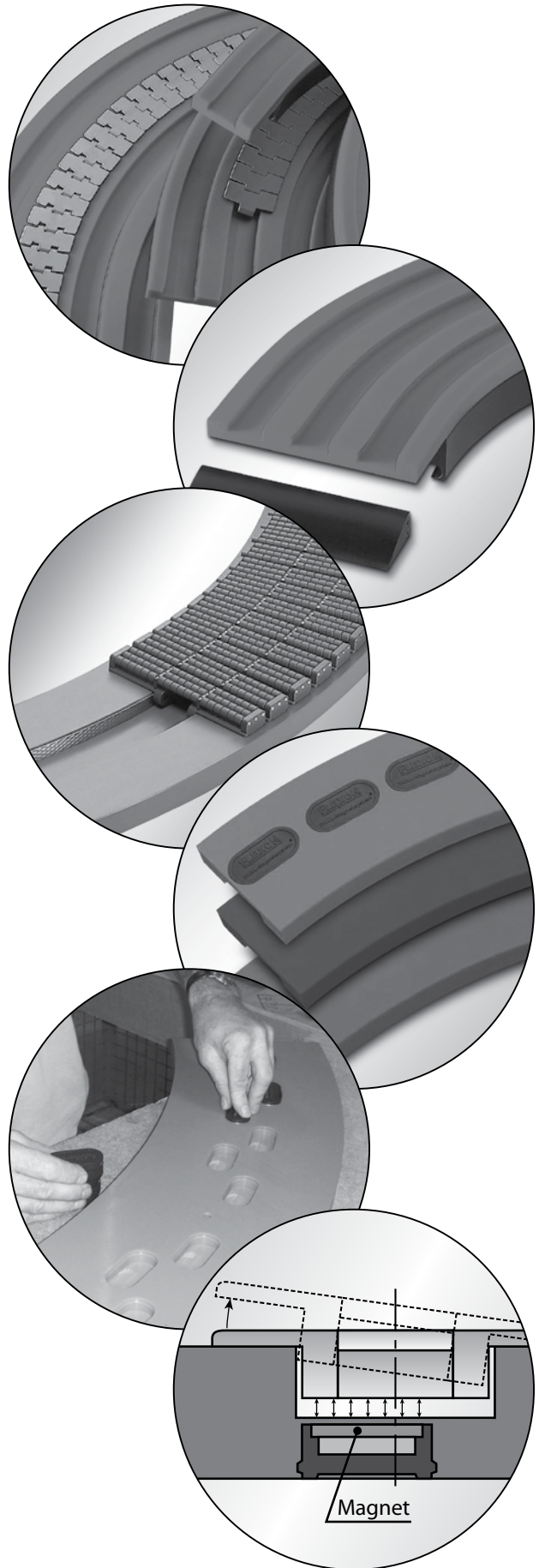
All Nolu-S - The material of choice, strongly recommended for all types of chains (steel, plastic, and chain-belts). It significantly reduces coefficients of friction making it ideal for applications requiring reduced friction, noise reduction, and higher dry-running speeds. The upper and return sections are Nolu-S (light grey).

MAGNETIC PACKS

System Plast has developed special magnetic packs for the Dual Magnetic System curves. These unique magnet holders are located into slots machined in the upper section of the curve.

DESIGN AND FUNCTIONALITY

Dual Magnetic System curves have the magnets positioned on the outside of the center line radius of each track which results in a more effective counteracting through the curve. The positioning of the magnets in the Dual Magnetic System does not increase the chain load or friction, unlike other similar systems.



Magnetic Corner Tracks



K14

Magnetic Corner Tracks for Chain Series: K325, K330

The chains are retained in the system by a magnetic field created by magnets that are located within the track material. This design offers the user greater flexibility and improved efficiency by allowing easy removal of the chains from the curve for cleaning and maintenance purposes.

Radius: 610 mm, 24 inches



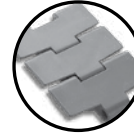
Tracks are available in four combinations of material. See page 146 for more information



Compatible with the following steel chains:
 SSL 881 MO K325 / 10208L
 SSEL 881 MO K325 / 10206L
 SSEL 881 MO K325 HB / 10213L
 SPSEL 881 MO K325 / 10255L
 SPSEL 881 MO K325 HB / 10265L

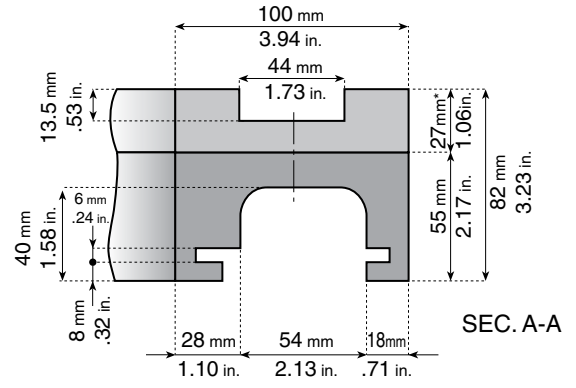
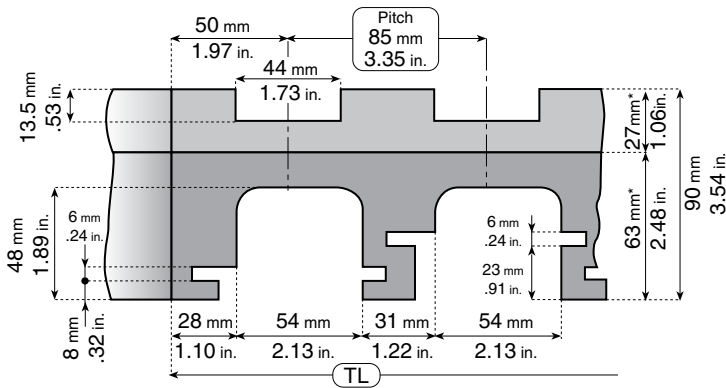


Tracks can be supplied with M8 or M10 threaded brass inserts (drawing required).

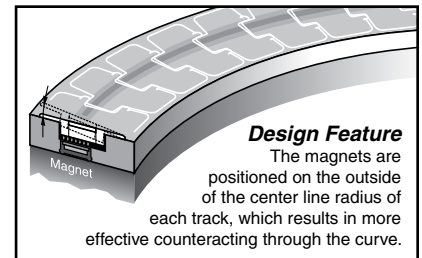
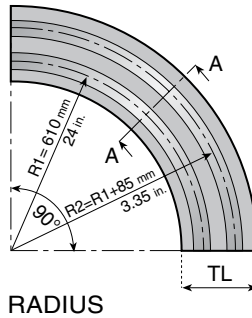
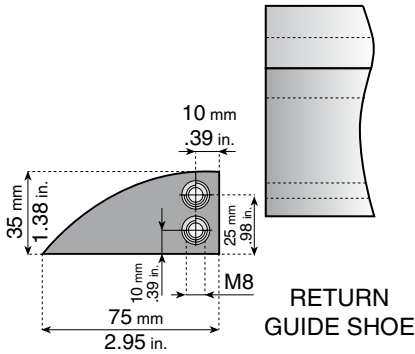


Compatible with the following plastic chains:
 LF 880 M K325 / 11377M
 LF 879 M K325 / 11395M
 XPG 880 M K325 / 11500MG
 XPG 879 M K325 / 11397MG
 NG 880 M K325 / 11195M
 NG 879 M K325 / 11198M

Sprockets, Wear Strips, Chain Guides



*Tolerance on 27mm and 63mm is $\pm 0.35\text{mm}$ or $0.015"$.



Standard
 Part no. in table

Nolu-S
 Add **NS** to part no. (KMD.14.90.01.ANS)

Nolu-SR
 Add **SR** to part no. (KMD.14.90.01.ASR)

All Nolu-S
 Add **2NS** to part no. (KMD.14.90.01.A2NS)

| Number of Tracks | Total Width TL | | 15° | 30° | 45° | 60° | 75° | 90° |
|------------------|----------------|--------|----------------|----------------|----------------|----------------|----------------|----------------|
| | mm | inches | | | | | | |
| 1 | 100 | 3.94 | KMD.14.15.01.A | KMD.14.30.01.A | KMD.14.45.01.A | KMD.14.60.01.A | KMD.14.75.01.A | KMD.14.90.01.A |
| 2 | 185 | 7.28 | KMD.14.15.02.A | KMD.14.30.02.A | KMD.14.45.02.A | KMD.14.60.02.A | KMD.14.75.02.A | KMD.14.90.02.A |
| 3 | 270 | 10.63 | KMD.14.15.03.A | KMD.14.30.03.A | KMD.14.45.03.A | KMD.14.60.03.A | KMD.14.75.03.A | KMD.14.90.03.A |
| 4 | 355 | 13.98 | KMD.14.15.04.A | KMD.14.30.04.A | KMD.14.45.04.A | KMD.14.60.04.A | KMD.14.75.04.A | KMD.14.90.04.A |
| 5 | 440 | 17.32 | KMD.14.15.05.A | KMD.14.30.05.A | KMD.14.45.05.A | KMD.14.60.05.A | KMD.14.75.05.A | KMD.14.90.05.A |
| 6 | 525 | 20.67 | KMD.14.15.06.A | KMD.14.30.06.A | KMD.14.45.06.A | KMD.14.60.06.A | KMD.14.75.06.A | KMD.14.90.06.A |
| 7 | 610 | 24.02 | KMD.14.15.07.A | KMD.14.30.07.A | KMD.14.45.07.A | KMD.14.60.07.A | KMD.14.75.07.A | KMD.14.90.07.A |
| 8 | 695 | 27.36 | KMD.14.15.08.A | KMD.14.30.08.A | KMD.14.45.08.A | KMD.14.60.08.A | KMD.14.75.08.A | KMD.14.90.08.A |

Magnetic Corner Tracks



K27

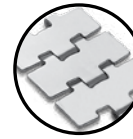
Magnetic Corner Tracks for Chain Series: K450

The chains are retained in the system by a magnetic field created by magnets that are located within the track material. This design offers the user greater flexibility and improved efficiency by allowing easy removal of the chains from the curve for cleaning and maintenance purposes.

Radius: 610 mm, 24 inches



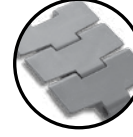
Tracks are available in four combinations of material. See page 146 for more information



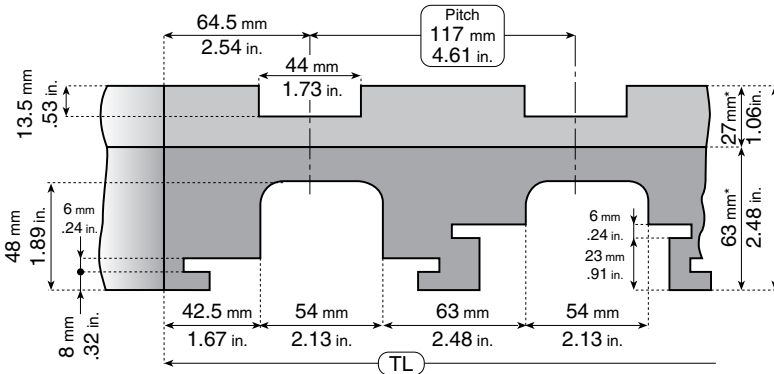
Compatible with the following steel chains:
SSE 881 M K450 / 10201



Tracks can be supplied with M8 or M10 threaded brass inserts (drawing required).

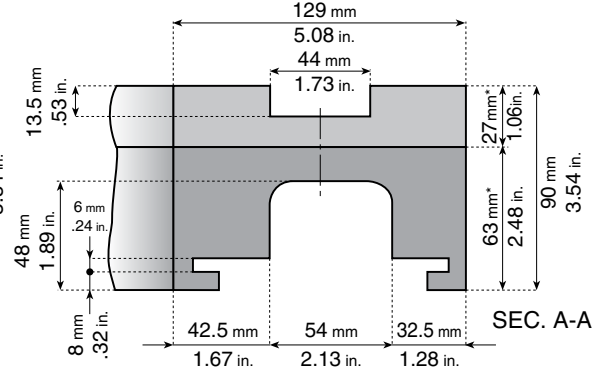


Compatible with the following plastic chains:
LF 880 M K450 / 11380M
LF 879 M K450 / 11396M
XPG 880 M K450 / 11501MG
XPG 879 M K450 / 11398MG
NG 880 M K450 / 11197M
NG 879 M K450 / 11421M

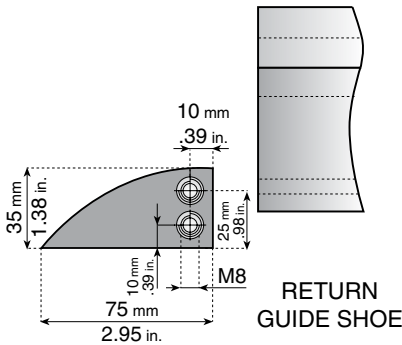


MULTI TRACKS

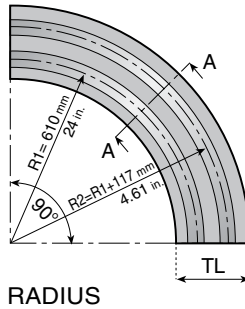
*Tolerance on 27mm and 63mm is ±0.35mm or 0.015".



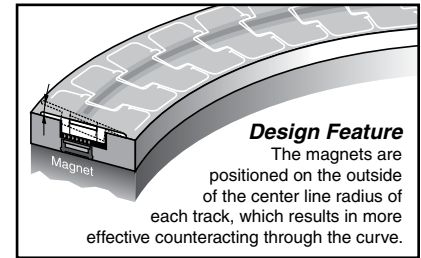
ONE TRACK



RETURN GUIDE SHOE



RADIUS



Standard
Part no. in table

Nolu-S
Add NS to part no.
(KMD.14.90.01.ANS)

Nolu-SR
Add SR to part no.
(KMD.14.90.01.ASR)

All Nolu-S
Add 2NS to part no.
(KMD.14.90.01.A2NS)

| Number of Tracks | Total Width TL | | 15° | 30° | 45° | 60° | 75° | 90° |
|------------------|----------------|--------|----------------|----------------|----------------|----------------|----------------|----------------|
| | mm | inches | | | | | | |
| 1 | 129 | 5.08 | KMD.23.15.01.A | KMD.23.30.01.A | KMD.23.45.01.A | KMD.23.60.01.A | KMD.23.75.01.A | KMD.23.90.01.A |
| 2 | 246 | 9.69 | KMD.23.15.02.A | KMD.23.30.02.A | KMD.23.45.02.A | KMD.23.60.02.A | KMD.23.75.02.A | KMD.23.90.02.A |
| 3 | 363 | 14.29 | KMD.23.15.03.A | KMD.23.30.03.A | KMD.23.45.03.A | KMD.23.60.03.A | KMD.23.75.03.A | KMD.23.90.03.A |
| 4 | 480 | 18.90 | KMD.23.15.04.A | KMD.23.30.04.A | KMD.23.45.04.A | KMD.23.60.04.A | KMD.23.75.04.A | KMD.23.90.04.A |
| 5 | 597 | 23.50 | KMD.23.15.05.A | KMD.23.30.05.A | KMD.23.45.05.A | KMD.23.60.05.A | KMD.23.75.05.A | KMD.23.90.05.A |
| 6 | 714 | 28.11 | KMD.23.15.06.A | KMD.23.30.06.A | KMD.23.45.06.A | KMD.23.60.06.A | KMD.23.75.06.A | KMD.23.90.06.A |
| 7 | 831 | 32.72 | KMD.23.15.07.A | KMD.23.30.07.A | KMD.23.45.07.A | KMD.23.60.07.A | KMD.23.75.07.A | KMD.23.90.07.A |
| 8 | 948 | 37.32 | KMD.23.15.08.A | KMD.23.30.08.A | KMD.23.45.08.A | KMD.23.60.08.A | KMD.23.75.08.A | KMD.23.90.08.A |



K61

Magnetic Corner Tracks for Chain Series: K750

The chains are retained in the system by a magnetic field created by magnets that are located within the track material. This design offers the user greater flexibility and improved efficiency by allowing easy removal of the chains from the curve for cleaning and maintenance purposes.

Radius: 610 mm, 24 inches



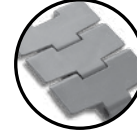
Tracks are available in four combinations of material. See page 146 for more information



Compatible with the following steel chains:
SSE 881 M K750 / 10203

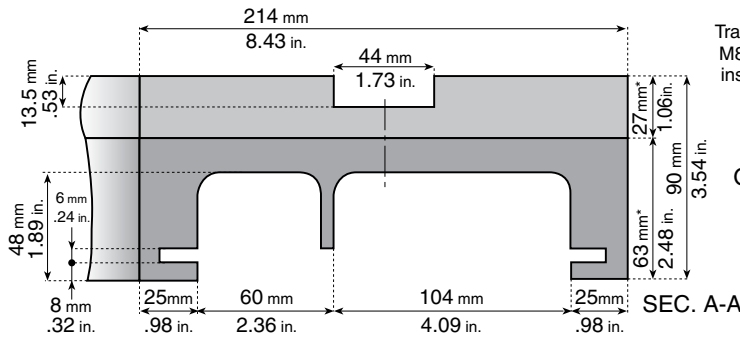


Tracks can be supplied with M8 or M10 threaded brass inserts (drawing required).

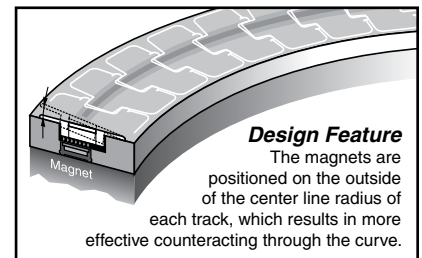
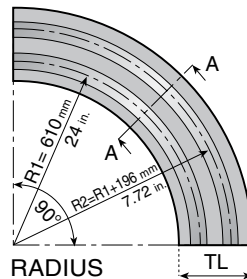
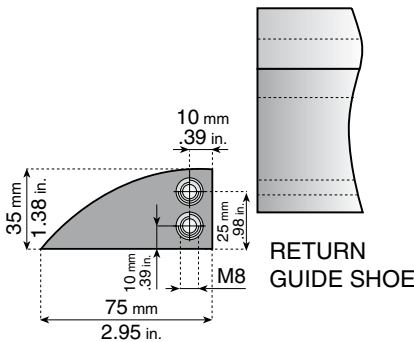
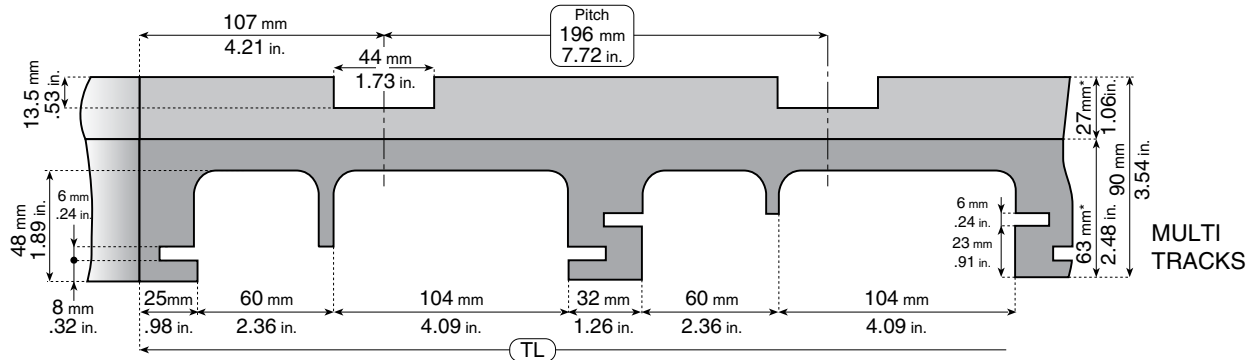


Compatible with the following plastic chains:
LF 880 M K750 / 11393M
XPG 880 M K750 / 11394MG
NG 880 M K750 / 11420M

Sprockets, Wear Strips, Chain Guides



*Tolerance on 27mm and 63mm is ±0.35mm or 0.015".



Standard
Part no. in table

Nolu-S
Add **NS** to part no.
(KMD.14.90.01.ANS)

Nolu-SR
Add **SR** to part no.
(KMD.14.90.01.ASR)

All Nolu-S
Add **2NS** to part no.
(KMD.14.90.01.A2NS)

| Number of Tracks | Total Width TL | | 15° | 30° | 45° | 60° | 75° | 90° |
|------------------|----------------|--------|----------------|----------------|----------------|----------------|----------------|----------------|
| | mm | inches | | | | | | |
| 1 | 214 | 8.43 | KMD.31.15.01.A | KMD.31.30.01.A | KMD.31.45.01.A | KMD.31.60.01.A | KMD.31.75.01.A | KMD.31.90.01.A |
| 2 | 410 | 16.14 | KMD.31.15.02.A | KMD.31.30.02.A | KMD.31.45.02.A | KMD.31.60.02.A | KMD.31.75.02.A | KMD.31.90.02.A |
| 3 | 606 | 23.86 | KMD.31.15.03.A | KMD.31.30.03.A | KMD.31.45.03.A | KMD.31.60.03.A | KMD.31.75.03.A | KMD.31.90.03.A |

Magnetic Corner Tracks



KB14

Magnetic Corner Tracks for Chain Series: K330

The chains are retained in the system by a magnetic field created by magnets that are located within the track material. This design offers the user greater flexibility and improved efficiency by allowing easy removal of the chains from the curve for cleaning and maintenance purposes.

Radius: 610 mm, 24 inches



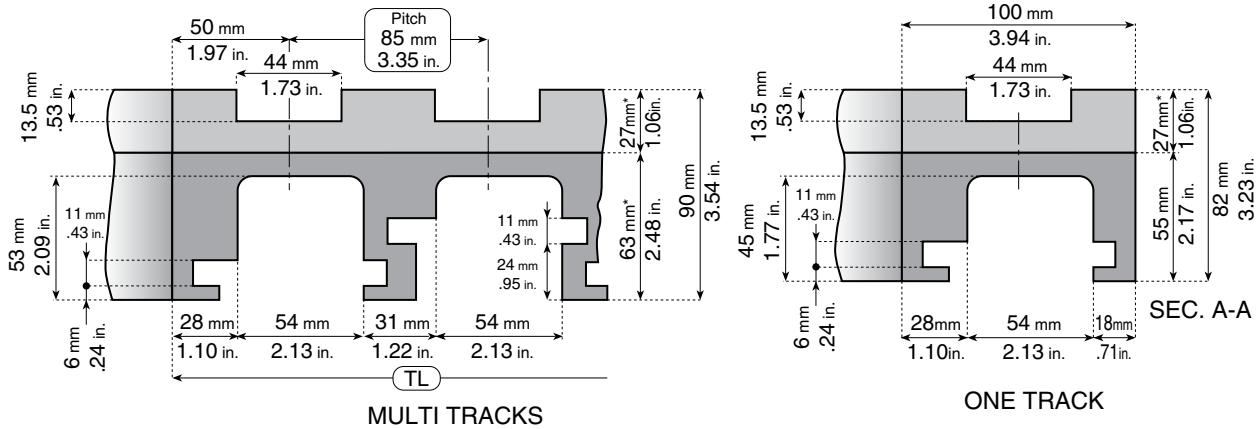
Tracks are available in four combinations of material. See page 146 for more information



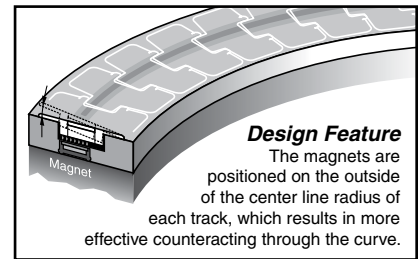
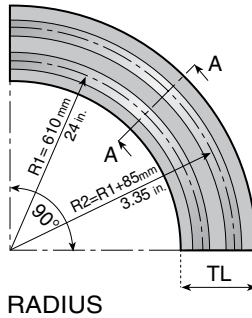
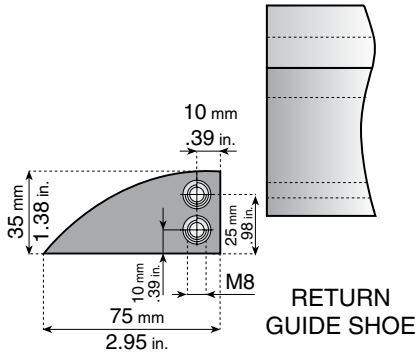
Compatible with the following side flexing chain belts:
 LFG 2250 M K330 FT / 11320
 XPG 2250 M K330 FT / 11320XPG
 LFG 2260 M K330 FT / 11329
 XPG 2260 M K330 FT / 11329XPG



Tracks can be supplied with M8 or M10 threaded brass inserts (drawing required).



*Tolerance on 27mm and 63mm is $\pm 0.35\text{mm}$ or $0.015"$.



Standard
 Part no. in table

Nolu-S
 Add NS to part no.
 (KMD.14.90.01.ANS)

Nolu-SR
 Add SR to part no.
 (KMD.14.90.01.ASR)

All Nolu-S
 Add 2NS to part no.
 (KMD.14.90.01.A2NS)

| Number of Tracks | Total Width TL | | 15° | 30° | 45° | 60° | 75° | 90° |
|------------------|----------------|--------|----------------|----------------|----------------|----------------|----------------|----------------|
| | mm | inches | | | | | | |
| 1 | 100 | 3.94 | KMD.15.15.01.A | KMD.15.30.01.A | KMD.15.45.01.A | KMD.15.60.01.A | KMD.15.75.01.A | KMD.15.90.01.A |
| 2 | 185 | 7.28 | KMD.15.15.02.A | KMD.15.30.02.A | KMD.15.45.02.A | KMD.15.60.02.A | KMD.15.75.02.A | KMD.15.90.02.A |
| 3 | 270 | 10.63 | KMD.15.15.03.A | KMD.15.30.03.A | KMD.15.45.03.A | KMD.15.60.03.A | KMD.15.75.03.A | KMD.15.90.03.A |
| 4 | 355 | 13.98 | KMD.15.15.04.A | KMD.15.30.04.A | KMD.15.45.04.A | KMD.15.60.04.A | KMD.15.75.04.A | KMD.15.90.04.A |
| 5 | 440 | 17.32 | KMD.15.15.05.A | KMD.15.30.05.A | KMD.15.45.05.A | KMD.15.60.05.A | KMD.15.75.05.A | KMD.15.90.05.A |
| 6 | 525 | 20.67 | KMD.15.15.06.A | KMD.15.30.06.A | KMD.15.45.06.A | KMD.15.60.06.A | KMD.15.75.06.A | KMD.15.90.06.A |
| 7 | 610 | 24.02 | KMD.15.15.07.A | KMD.15.30.07.A | KMD.15.45.07.A | KMD.15.60.07.A | KMD.15.75.07.A | KMD.15.90.07.A |
| 8 | 695 | 27.36 | KMD.15.15.08.A | KMD.15.30.08.A | KMD.15.45.08.A | KMD.15.60.08.A | KMD.15.75.08.A | KMD.15.90.08.A |



KB27

Magnetic Corner Tracks for Chain Series: K450

The chains are retained in the system by a magnetic field created by magnets that are located within the track material. This design offers the user greater flexibility and improved efficiency by allowing easy removal of the chains from the curve for cleaning and maintenance purposes.

Radius: 610 mm, 24 inches



Tracks are available in four combinations of material. See page 146 for more information

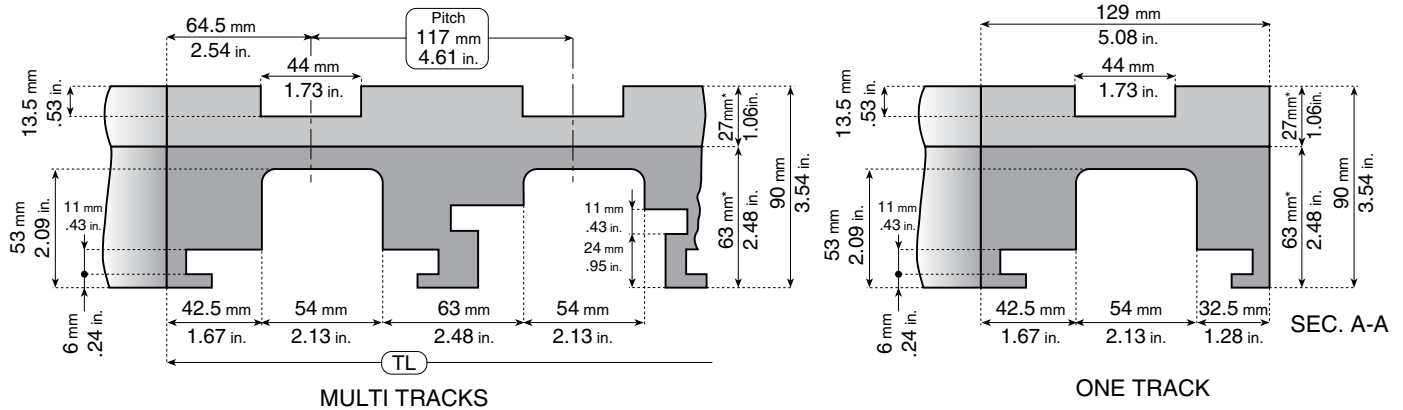


Compatible with the following side flexing chain belts:
LFG 2250 M K450 FT / 11327
XPG 2250 M K450 FT / 11327XPG

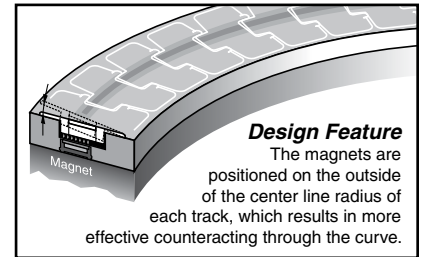
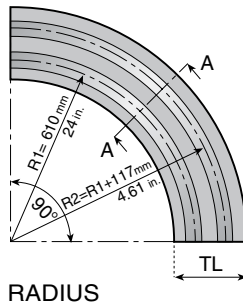
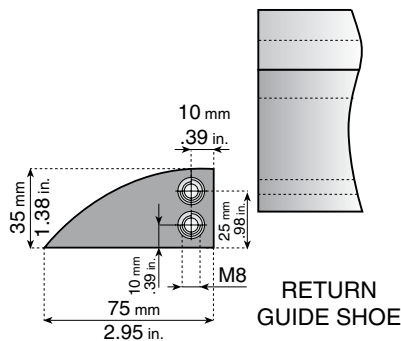


Tracks can be supplied with M8 or M10 threaded brass inserts (drawing required).

Sprockets, Wear Strips, Chain Guides



*Tolerance on 27mm and 63mm is $\pm 0.35\text{mm}$ or $0.015''$.



Standard
Part no. in table

Nolu-S
Add **NS** to part no.
(KMD.14.90.01.ANS)

Nolu-SR
Add **SR** to part no.
(KMD.14.90.01.ASR)

All Nolu-S
Add **2NS** to part no.
(KMD.14.90.01.A2NS)

| Number of Tracks | Total Width TL | | 15° | 30° | 45° | 60° | 75° | 90° |
|------------------|----------------|--------|----------------|----------------|----------------|----------------|----------------|----------------|
| | mm | inches | | | | | | |
| 1 | 129 | 5.08 | KMD.56.15.01.A | KMD.56.30.01.A | KMD.56.45.01.A | KMD.56.60.01.A | KMD.56.75.01.A | KMD.56.90.01.A |
| 2 | 246 | 9.69 | KMD.56.15.02.A | KMD.56.30.02.A | KMD.56.45.02.A | KMD.56.60.02.A | KMD.56.75.02.A | KMD.56.90.02.A |
| 3 | 363 | 14.29 | KMD.56.15.03.A | KMD.56.30.03.A | KMD.56.45.03.A | KMD.56.60.03.A | KMD.56.75.03.A | KMD.56.90.03.A |
| 4 | 480 | 18.90 | KMD.56.15.04.A | KMD.56.30.04.A | KMD.56.45.04.A | KMD.56.60.04.A | KMD.56.75.04.A | KMD.56.90.04.A |

Magnetic Corner Tracks



KC14



Compatible with the following side flexing chain belts:
LFG 2251 M K330 FT / 11322
XPG 2251 M K330 FT / 11322XPG

Magnetic Corner Tracks for Chain Series: K330

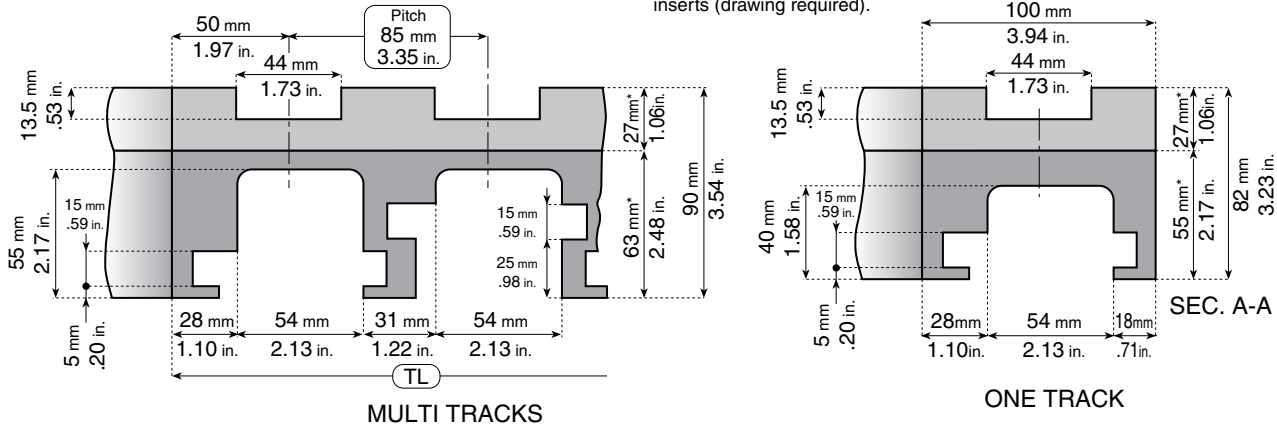
The chains are retained in the system by a magnetic field created by magnets that are located within the track material. This design offers the user greater flexibility and improved efficiency by allowing easy removal of the chains from the curve for cleaning and maintenance purposes.

Tracks are available in four combinations of material. See page 146 for more information

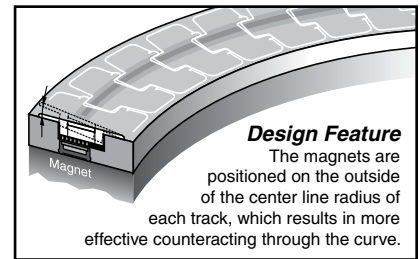
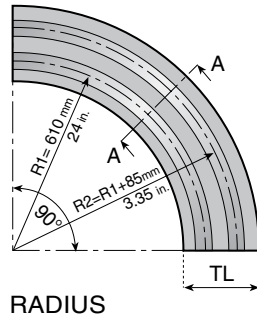
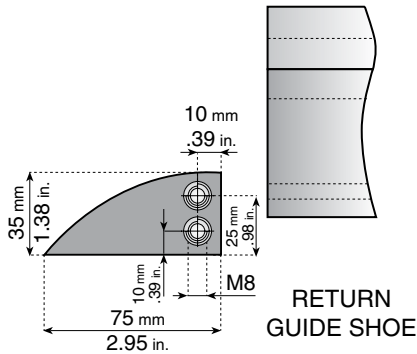


Tracks can be supplied with M8 or M10 threaded brass inserts (drawing required).

Radius: 610 mm, 24 inches



*Tolerance on 27mm and 63mm is $\pm 0.35\text{mm}$ or $0.015"$.



Standard
Part no. in table

Nolu-S
Add **NS** to part no.
(KMD.14.90.01.ANS)

Nolu-SR
Add **SR** to part no.
(KMD.14.90.01.ASR)

All Nolu-S
Add **2NS** to part no.
(KMD.14.90.01.A2NS)

| Number of Tracks | Total Width TL | | 15° | 30° | 45° | 60° | 75° | 90° |
|------------------|----------------|--------|----------------|----------------|----------------|----------------|----------------|----------------|
| | mm | inches | | | | | | |
| 1 | 100 | 3.94 | KMD.16.15.01.A | KMD.16.30.01.A | KMD.16.45.01.A | KMD.16.60.01.A | KMD.16.75.01.A | KMD.16.90.01.A |
| 2 | 185 | 7.28 | KMD.16.15.02.A | KMD.16.30.02.A | KMD.16.45.02.A | KMD.16.60.02.A | KMD.16.75.02.A | KMD.16.90.02.A |
| 3 | 270 | 10.63 | KMD.16.15.03.A | KMD.16.30.03.A | KMD.16.45.03.A | KMD.16.60.03.A | KMD.16.75.03.A | KMD.16.90.03.A |
| 4 | 355 | 13.98 | KMD.16.15.04.A | KMD.16.30.04.A | KMD.16.45.04.A | KMD.16.60.04.A | KMD.16.75.04.A | KMD.16.90.04.A |
| 5 | 440 | 17.32 | KMD.16.15.05.A | KMD.16.30.05.A | KMD.16.45.05.A | KMD.16.60.05.A | KMD.16.75.05.A | KMD.16.90.05.A |
| 6 | 525 | 20.67 | KMD.16.15.06.A | KMD.16.30.06.A | KMD.16.45.06.A | KMD.16.60.06.A | KMD.16.75.06.A | KMD.16.90.06.A |
| 7 | 610 | 24.02 | KMD.16.15.07.A | KMD.16.30.07.A | KMD.16.45.07.A | KMD.16.60.07.A | KMD.16.75.07.A | KMD.16.90.07.A |
| 8 | 695 | 27.36 | KMD.16.15.08.A | KMD.16.30.08.A | KMD.16.45.08.A | KMD.16.60.08.A | KMD.16.75.08.A | KMD.16.90.08.A |



KC27

Magnetic Corner Tracks for Chain Series: K450

The chains are retained in the system by a magnetic field created by magnets that are located within the track material. This design offers the user greater flexibility and improved efficiency by allowing easy removal of the chains from the curve for cleaning and maintenance purposes.

Radius: 610 mm, 24 inches



Tracks are available in four combinations of material. See page 146 for more information

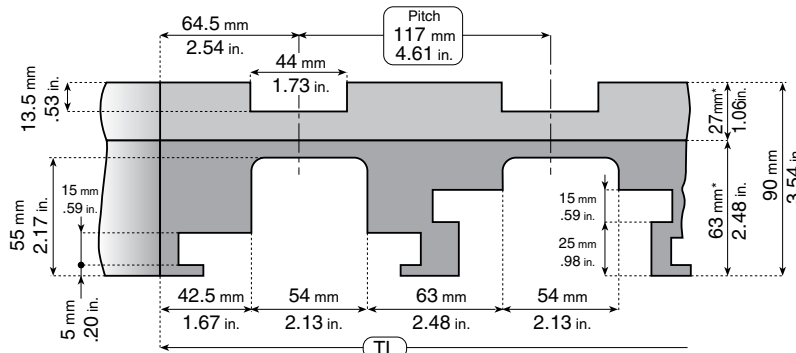


Compatible with the following side flexing chain belts:
LFG 2251 M K450 FT / 11328
XPG 2251 M K450 FT / 11328XPG

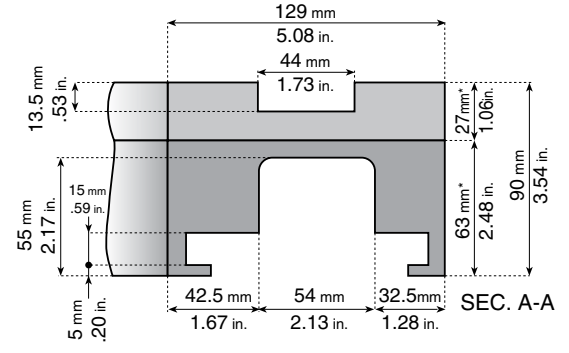


Tracks can be supplied with M8 or M10 threaded brass inserts (drawing required).

Sprockets, Wear Strips, Chain Guides

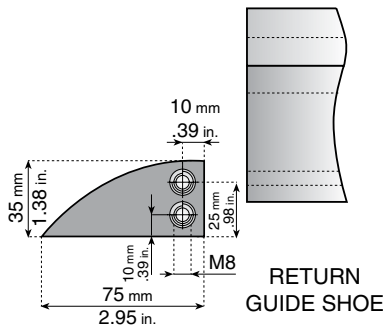


MULTI TRACKS

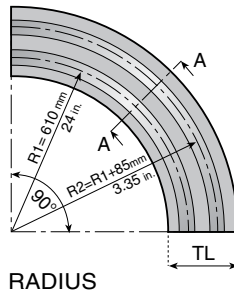


ONE TRACK

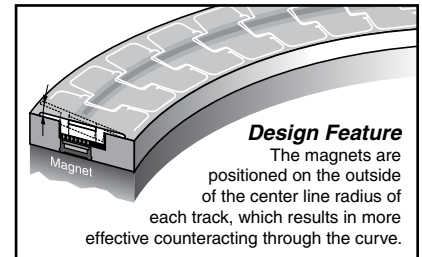
*Tolerance on 27mm and 63mm is ±0.35mm or 0.015".



RETURN GUIDE SHOE



RADIUS



Design Feature
The magnets are positioned on the outside of the center line radius of each track, which results in more effective counteracting through the curve.

Standard
Part no. in table

Nolu-S
Add **NS** to part no.
(KMD.14.90.01.ANS)

Nolu-SR
Add **SR** to part no.
(KMD.14.90.01.ASR)

All Nolu-S
Add **2NS** to part no.
(KMD.14.90.01.A2NS)

| Number of Tracks | Total Width TL | | 15° | 30° | 45° | 60° | 75° | 90° |
|------------------|----------------|--------|----------------|----------------|----------------|----------------|----------------|----------------|
| | mm | inches | | | | | | |
| 1 | 129 | 5.08 | KMD.66.15.01.A | KMD.66.30.01.A | KMD.66.45.01.A | KMD.66.60.01.A | KMD.66.75.01.A | KMD.66.90.01.A |
| 2 | 246 | 9.69 | KMD.66.15.02.A | KMD.66.30.02.A | KMD.66.45.02.A | KMD.66.60.02.A | KMD.66.75.02.A | KMD.66.90.02.A |
| 3 | 363 | 14.29 | KMD.66.15.03.A | KMD.66.30.03.A | KMD.66.45.03.A | KMD.66.60.03.A | KMD.66.75.03.A | KMD.66.90.03.A |
| 4 | 480 | 18.90 | KMD.66.15.04.A | KMD.66.30.04.A | KMD.66.45.04.A | KMD.66.60.04.A | KMD.66.75.04.A | KMD.66.90.04.A |



Safe Transfer Modules

Sprockets, Wear Strips, Chain Guides



Features:

- Safe and smooth transfer of instable products
- Compact Design
- One solid piece, no edges
- Easy installation



INSERTS

The Safe Transfer Module can be supplied with M8 or M10 brass inserts to your detailed drawing.



SPECIAL DIMENSIONS

On request, Safe Transfer Module with special dimensions can be produced.



TECHNICAL SUPPORT

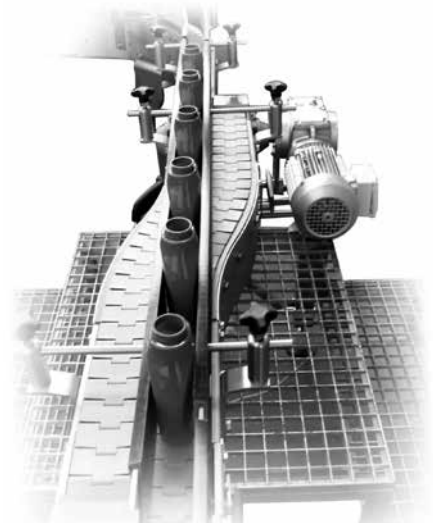
For further information, contact our Technical support team.



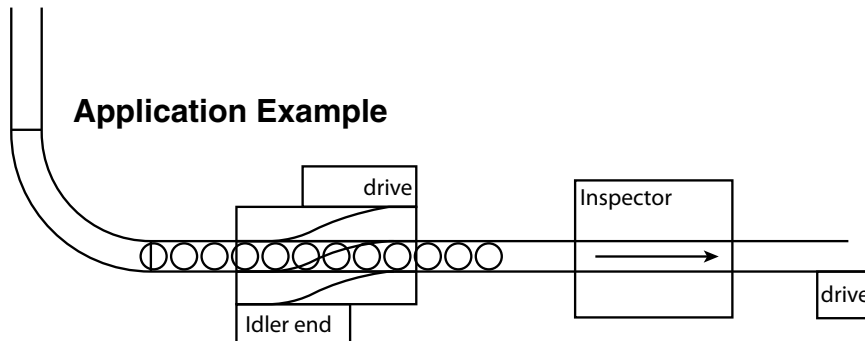
Standard Version

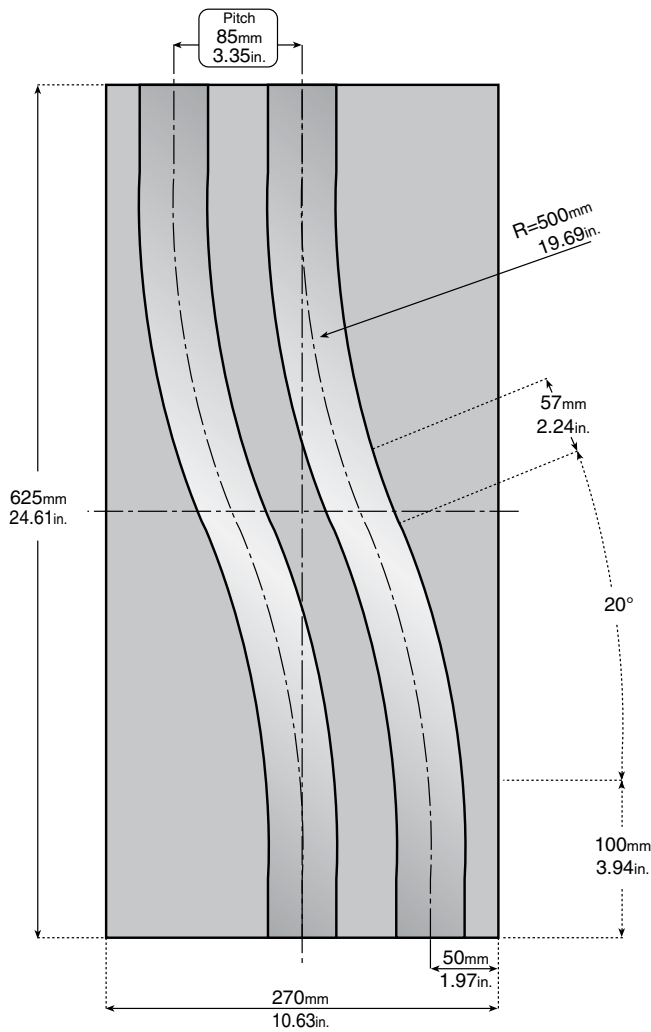
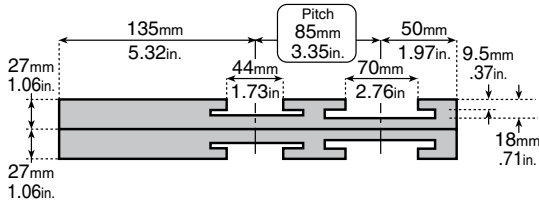
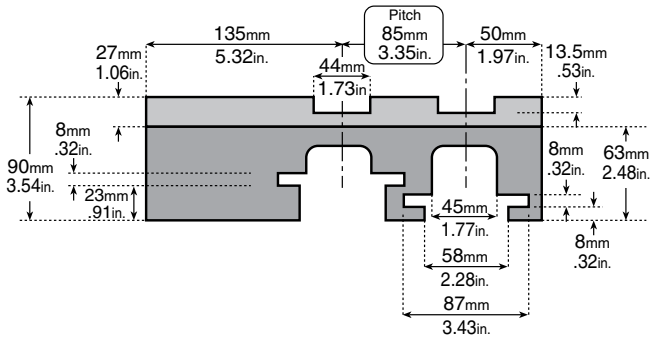
Special Note:

- For TAB system and BEVEL system, one set can be used as left or right transfer
- For MAGNETIC system, left or right transfer has to be specified when ordering



Compact Version





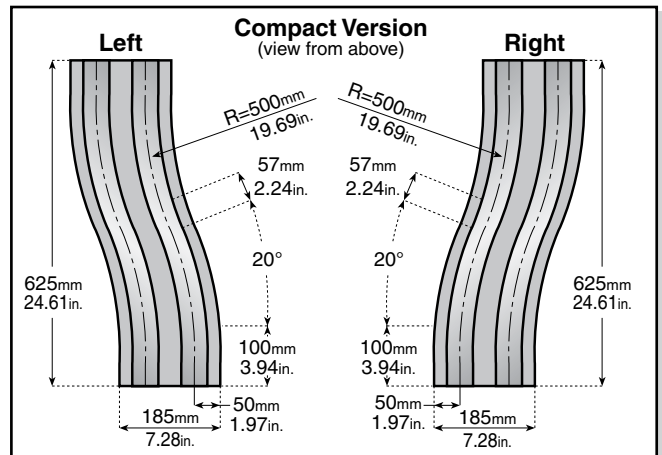
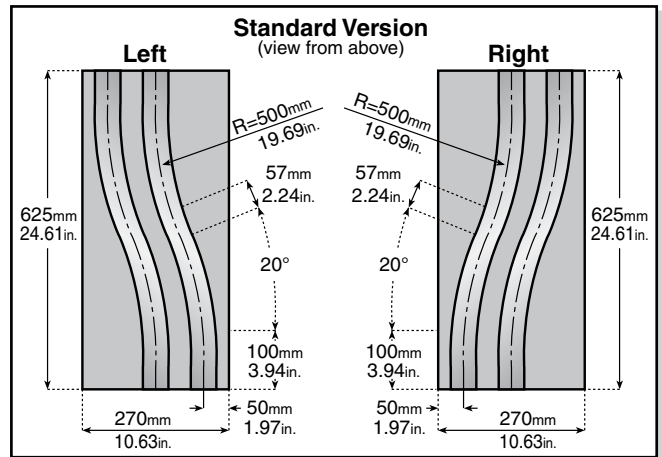
Magnetic System

| Version | Left | Right |
|----------|------|---------------|
| Standard | - | STMRM032002B |
| Compact | - | STMRM032002BC |

Tab System

| Version | Left/Right |
|----------|--------------|
| Standard | STMT032002B |
| Compact | STMT032002BC |

Sprockets, Wear Strips, Chain Guides





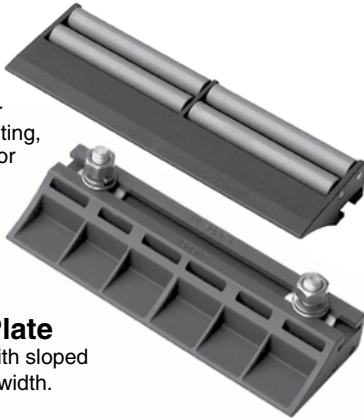
DynaPlate Modular Transfer Plates

DYNAPLATE
ROLLER TRANSFER PLATES

Perfect for use with
SYSTEM PLAST™
Chains and Belts!

DynaPlate

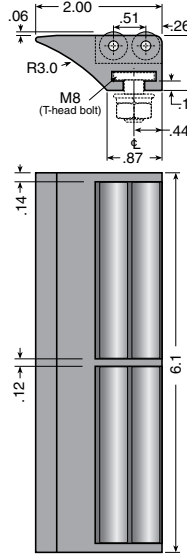
- Smooth transition between conveyors
- Use individually or back-to back
- Heavy duty, robust construction
- Easy, flexible mounting



T-bolt slides for accurate mounting, but won't strip or turn during tightening.

Transfer Plate

2 roller rows with sloped entry. 6.1 inch width.



Standard

Brown acetal roller.

SR

Red low noise PBT roller.

SSA

Blue acetal roller with mini ball bearing.

SS

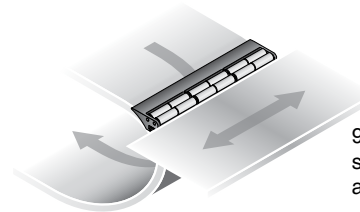
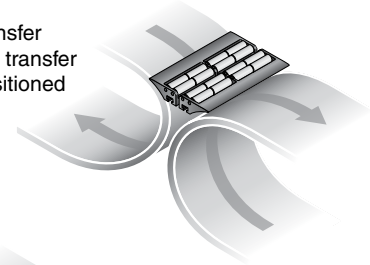
Stainless steel roller with mini ball bearing.

For special applications, environments, and aggressive agents, please contact the System Plast engineering department.

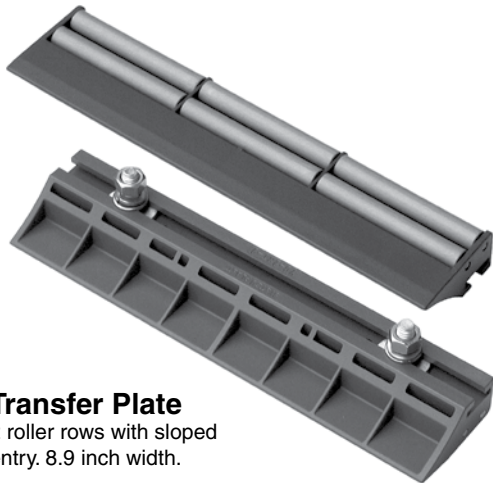
Material: XP acetal frame. Choice of roller types. Stainless steel pins, washers and bolts.

| Part Number | Roller Type | Length (in.) |
|--------------|-------------|--------------|
| 16S00020-SR | SR | 6.1 |
| 16S00020-SSA | SSA | 6.1 |

Head to tail transfer using two roller transfer assemblies positioned back-to-back.

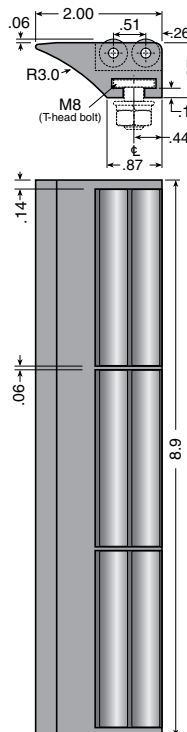


90° transfer using single roller transfer assembly.



Transfer Plate

2 roller rows with sloped entry. 8.9 inch width.



Material: XP acetal frame. Choice of roller types. Stainless steel pins, washers and bolts.

| Part Number | Roller Type | Length (in.) |
|--------------|-------------|--------------|
| 16S00023-SR | SR | 8.9 |
| 16S00023-SSA | SSA | 8.9 |

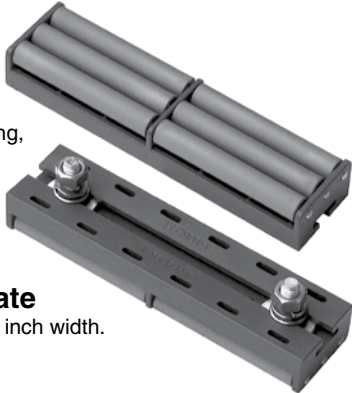
SYSTEM PLAST™



DynaPlate

- Smooth transition between conveyors
- Use individually or back-to back
- Heavy duty, robust construction
- Easy, flexible mounting

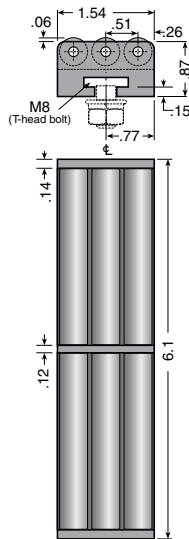
T-bolt slides for accurate mounting, but won't strip or turn during tightening.



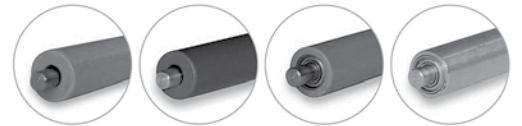
Transfer Plate
3 roller rows. 6.1 inch width.

DYNAPLATE

ROLLER TRANSFER PLATES



Perfect for use with SYSTEM PLAST™ Chains and Belts!



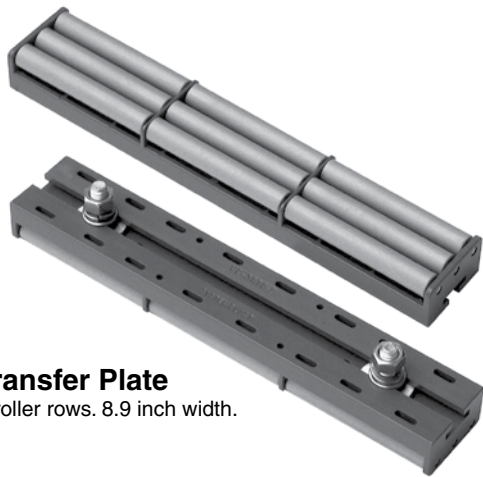
- | | | | |
|---|--|--|---|
| Standard Brown acetal roller. | SR Red low noise PBT roller. | SSA Blue acetal roller with mini ball bearing. | SS Stainless steel roller with mini ball bearing. |
|---|--|--|---|

Sprockets, Wear Strips, Chain Guides

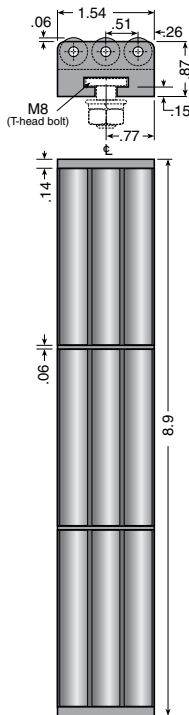
For special applications, environments, and aggressive agents, please contact the System Plast engineering department.

Material: XP acetal frame. Choice of roller types. Stainless steel pins, washers and bolts.

| Part Number | Roller Type | Length (in.) |
|--------------|-------------|--------------|
| 16S00021-SR | SR | 6.1 |
| 16S00021-SSA | SSA | 6.1 |



Transfer Plate
3 roller rows. 8.9 inch width.

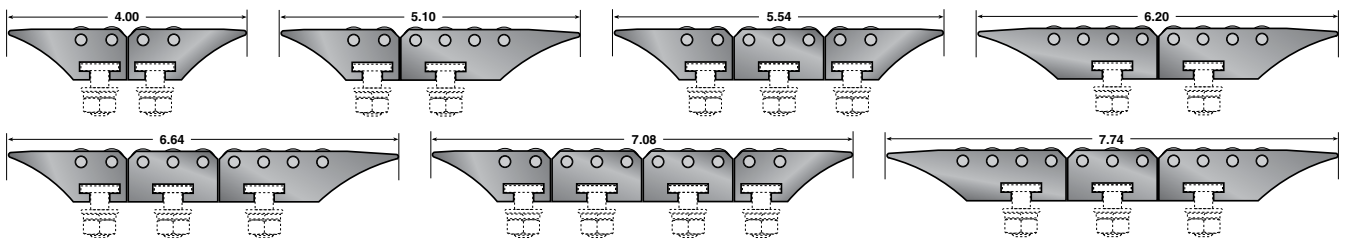


Material: XP acetal frame. Choice of roller types. Stainless steel pins, washers and bolts.

| Part Number | Roller Type | Length (in.) |
|--------------|-------------|--------------|
| 16S00024-SR | SR | 8.9 |
| 16S00024-SSA | SSA | 8.9 |

DynaPlate Combinations

Mix and match for best transfer lengths and widths

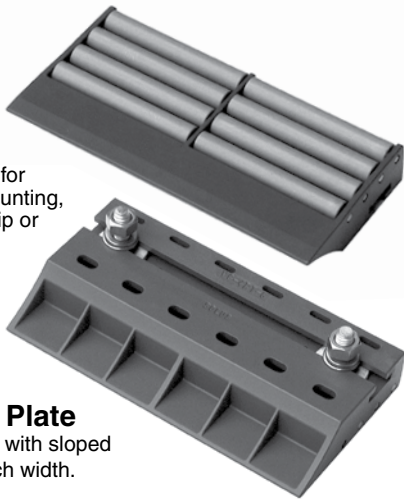




DYNAPLATE ROLLER TRANSFER PLATES

DynaPlate

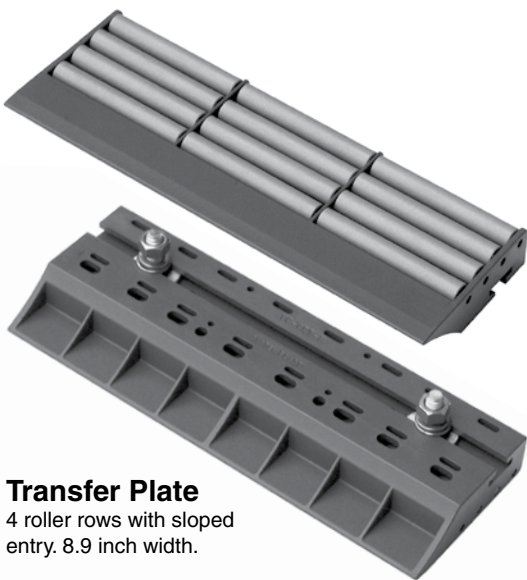
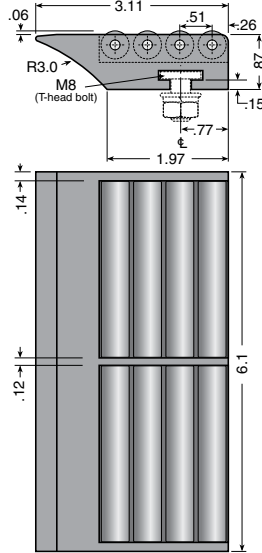
- Smooth transition between conveyors
- Use individually or back-to back
- Heavy duty, robust construction
- Easy, flexible mounting



T-bolt slides for accurate mounting, but won't strip or turn during tightening.

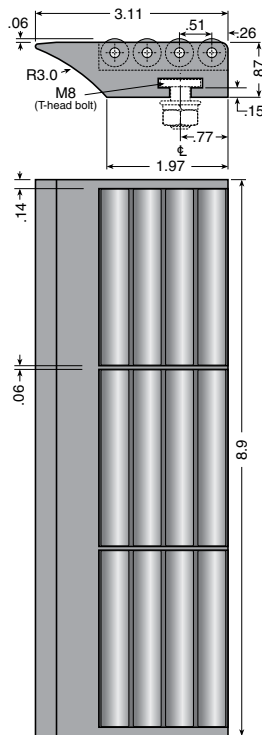
Transfer Plate

4 roller rows with sloped entry. 6.1 inch width.

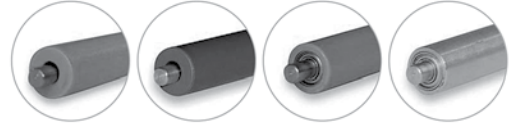


Transfer Plate

4 roller rows with sloped entry. 8.9 inch width.



Perfect for use with SYSTEM PLAST™ Chains and Belts!



Standard

Brown acetal roller.

SR

Red low noise PBT roller.

SSA

Blue acetal roller with mini ball bearing.

SS

Stainless steel roller with mini ball bearing.

For special applications, environments, and aggressive agents, please contact the System Plast engineering department.

Material: XP acetal frame. Choice of roller types. Stainless steel pins, washers and bolts.

| Part Number | Roller Type | Length (in.) |
|--------------|-------------|--------------|
| 16S00022-SR | SR | 6.1 |
| 16S00022-SSA | SSA | 6.1 |



Material: XP acetal frame. Choice of roller types. Stainless steel pins, washers and bolts.

| Part Number | Roller Type | Length (in.) |
|--------------|-------------|--------------|
| 16S00025-SR | SR | 8.9 |
| 16S00025-SSA | SSA | 8.9 |

Modular Transfer Plates



Perfect for use with **SYSTEM PLAST™** Chains and Belts!

- Easy head to tail transfer
- Ultra low friction
- Low noise beads
- Clean design
- Back-to-back and end-to-end modularity
- Quick and easy assembly
- Mounting hardware included



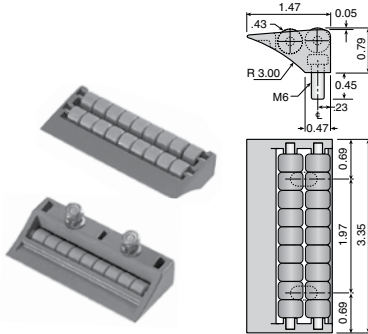
Hex head bolts are included. They are retained in the frame so they will not slide when the nut is tightened.

Sprockets, Wear Strips, Chain Guides

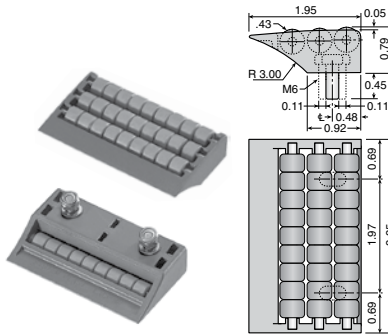
Transfer Plate

2, 3, or 5 bead or roller rows with sloped entry. 3.35 inch width. Blue low noise multi-beads shown.

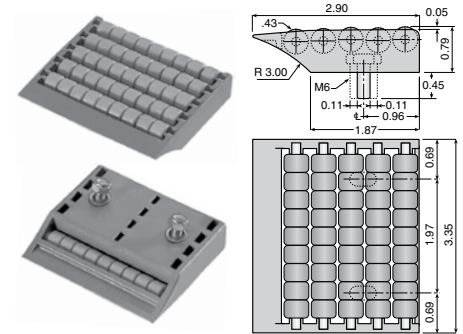
Material: XP acetal frame. Choice of multi-beads or rollers. Stainless steel pins, washers and bolts.



| Part Number | Roller Type | Length (in.) |
|-------------|-------------|--------------|
| 16777 | Standard | 3.35 |
| 16777-SR | SR | 3.35 |
| 16777-SSA | SSA | 3.35 |



| Part Number | Roller Type | Length (in.) |
|-------------|-------------|--------------|
| 16770 | Standard | 3.35 |
| 16770-SR | SR | 3.35 |
| 16770-SSA | SSA | 3.35 |

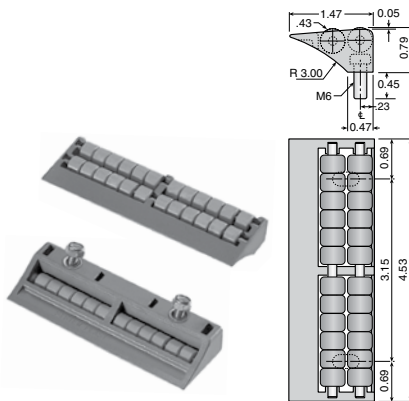


| Part Number | Roller Type | Length (in.) |
|-------------|-------------|--------------|
| 16772 | Standard | 3.35 |
| 16772-SR | SR | 3.35 |
| 16772-SSA | SSA | 3.35 |

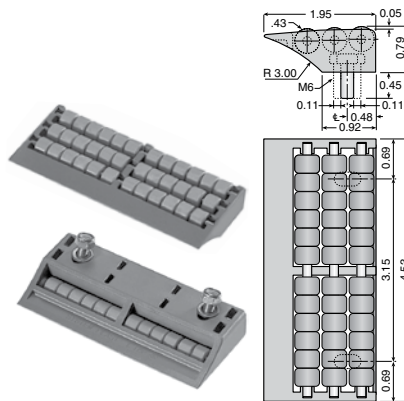
Transfer Plate

2, 3, or 5 bead or roller rows with sloped entry. 4.53 inch width. Blue low noise multi-beads shown.

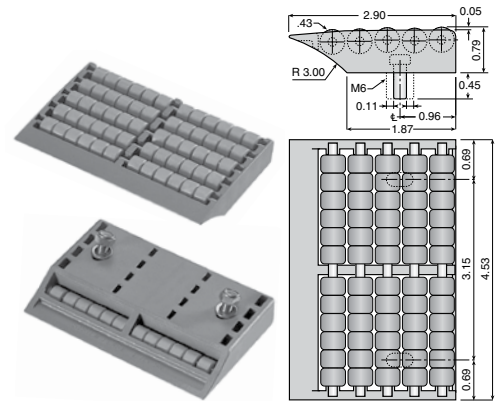
Material: XP acetal frame. Choice of multi-beads or rollers. Stainless steel pins, washers and bolts.



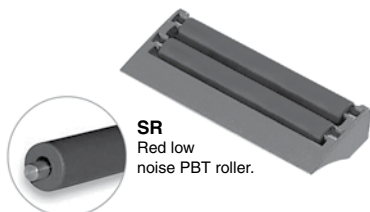
| Part Number | Roller Type | Length (in.) |
|-------------|-------------|--------------|
| 16778 | Standard | 4.53 |
| 16778-SR | SR | 4.53 |
| 16778-SSA | SSA | 4.53 |



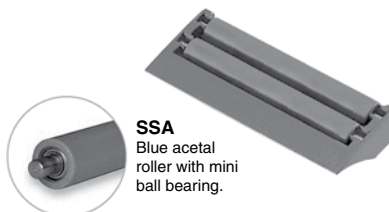
| Part Number | Roller Type | Length (in.) |
|-------------|-------------|--------------|
| 16771 | Standard | 4.53 |
| 16771-SR | SR | 4.53 |
| 16771-SSA | SSA | 4.53 |



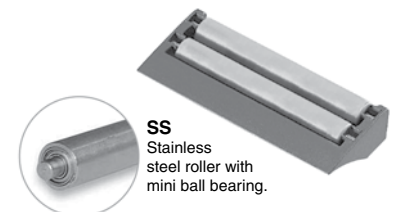
| Part Number | Roller Type | Length (in.) |
|-------------|-------------|--------------|
| 16773 | Standard | 4.53 |
| 16773-SR | SR | 4.53 |
| 16773-SSA | SSA | 4.53 |



SR
Red low noise PBT roller.



SSA
Blue acetal roller with mini ball bearing.



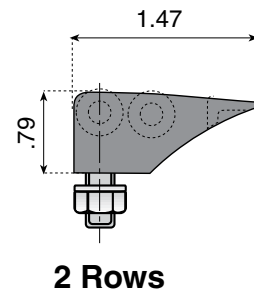
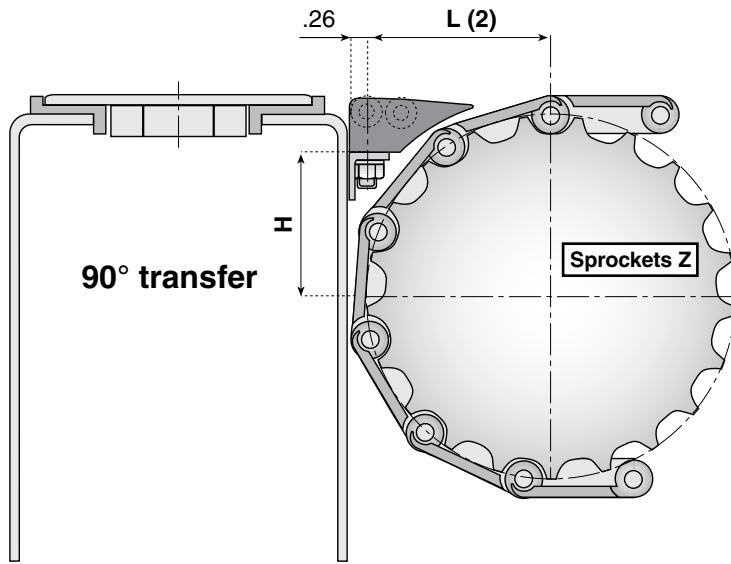
SS
Stainless steel roller with mini ball bearing.

For special applications, environments, and aggressive agents, please contact the System Plast engineering department.

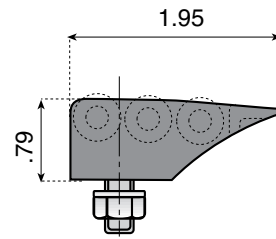
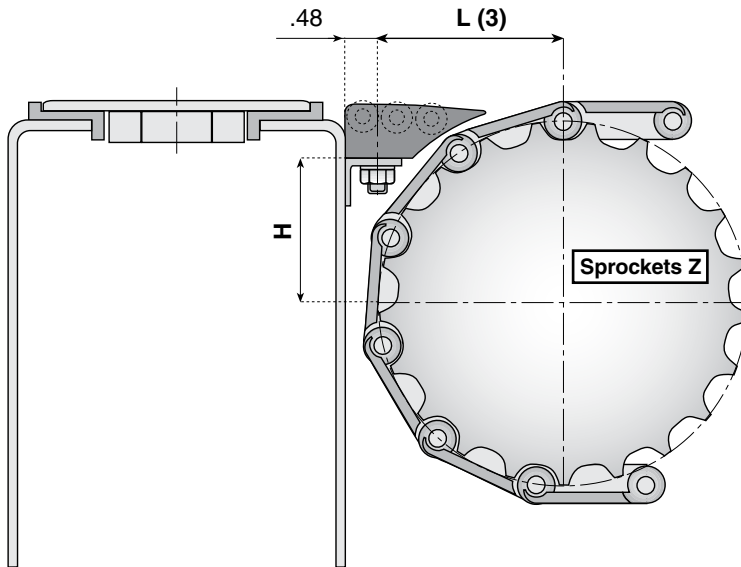


Modular Transfer Plate Assemblies

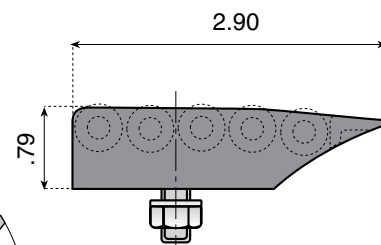
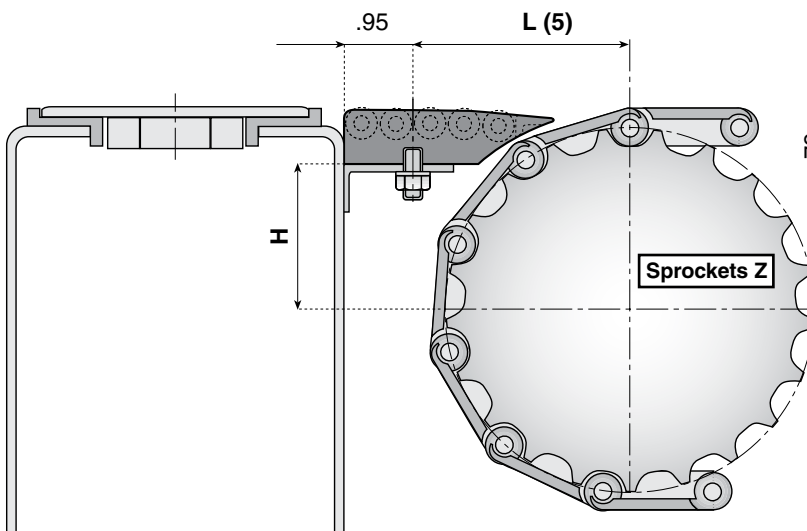
Sprockets, Wear
Strips, Chain Guides



2 Rows



3 Rows



5 Rows

Modular Transfer Plate Assemblies



| Chain Type | Sprockets Z15 | | | | Sprockets Z17 | | | | Sprockets Z19 | | | | Sprockets Z21 | | | | Sprockets Z23 | | | | Sprockets Z25 | | | | Sprockets Z27 | | | | Sprockets Z29 | | | | | | | | | | | |
|---|---------------|------|------|------|---------------|------|------|------|---------------|------|------|------|---------------|------|------|------|---------------|------|------|------|---------------|------|------|------|---------------|------|------|------|---------------|------|------|------|---|------|------|------|--|--|--|--|
| | H | L(2) | L(3) | L(5) | H | L(2) | L(3) | L(5) | H | L(2) | L(3) | L(5) | H | L(2) | L(3) | L(5) | H | L(2) | L(3) | L(5) | H | L(2) | L(3) | L(5) | H | L(2) | L(3) | L(5) | H | L(2) | L(3) | L(5) | H | L(2) | L(3) | L(5) | | | | |
| 812-815-800-802-805-8157 | 1.35 | 2.24 | 2.43 | 2.93 | 1.59 | 2.30 | 2.47 | 2.98 | 1.82 | 2.40 | 2.52 | 3.03 | 2.06 | 2.51 | 2.56 | 3.07 | 2.29 | 2.61 | 2.61 | 3.12 | 2.53 | 2.71 | 2.65 | 3.16 | 2.76 | 2.81 | 2.69 | 3.20 | 3.00 | 2.90 | 2.72 | 3.24 | | | | | | | | |
| 881-8810-881TAB-8810TAB-881M-881MO-8857-8857TAB | 1.35 | 2.24 | 2.43 | 2.94 | 1.59 | 2.30 | 2.47 | 2.98 | 1.82 | 2.40 | 2.52 | 3.03 | 2.06 | 2.51 | 2.56 | 3.07 | 2.29 | 2.61 | 2.61 | 3.12 | 2.53 | 2.71 | 2.65 | 3.16 | 2.76 | 2.81 | 2.69 | 3.20 | 3.00 | 2.90 | 2.72 | 3.24 | | | | | | | | |
| 512-515 | 1.92 | 2.44 | 2.54 | 3.05 | 2.23 | 2.59 | 2.59 | 3.10 | 2.51 | 2.72 | 2.65 | 3.16 | 2.87 | 2.85 | 2.70 | 3.21 | | | | | | | | | | | | | | | | | | | | | | | | |
| 1874 | 1.61 | 2.56 | 2.77 | 3.28 | 1.84 | 2.57 | 2.83 | 3.34 | 2.08 | 2.69 | 2.89 | 3.40 | 2.35 | 2.80 | 2.94 | 3.45 | 2.56 | 2.90 | 2.99 | 3.50 | 2.80 | 3.00 | 3.04 | 3.56 | | | | | | | | | | | | | | | | |
| 820-SK38 | 1.38 | 2.27 | 2.46 | 2.97 | 1.61 | 2.33 | 2.51 | 3.02 | 1.85 | 2.43 | 2.56 | 3.07 | 2.08 | 2.54 | 2.60 | 3.11 | 2.31 | 2.64 | 2.64 | 3.15 | 2.55 | 2.74 | 2.69 | 3.20 | 2.97 | 2.65 | 2.72 | 3.24 | 3.02 | 2.93 | 2.76 | 3.28 | | | | | | | | |
| 831 | 1.41 | 2.27 | 2.46 | 2.97 | 1.64 | 2.33 | 2.51 | 3.02 | 1.88 | 2.43 | 2.56 | 3.07 | 2.11 | 2.54 | 2.60 | 3.11 | 2.35 | 2.64 | 2.64 | 3.15 | 2.58 | 2.74 | 2.69 | 3.20 | 3.00 | 2.65 | 2.72 | 3.24 | 3.06 | 2.93 | 2.76 | 3.28 | | | | | | | | |
| 821 | 1.41 | 2.29 | 2.47 | 2.98 | 1.64 | 2.34 | 2.52 | 3.04 | 1.88 | 2.45 | 2.57 | 3.08 | 2.11 | 2.56 | 2.61 | 3.13 | 2.35 | 2.66 | 2.66 | 3.17 | 2.58 | 2.76 | 2.70 | 3.21 | 3.00 | 2.85 | 2.74 | 3.26 | 3.06 | 2.94 | 2.78 | 3.30 | | | | | | | | |
| 843 | 0.81 | 2.26 | 2.48 | 2.99 | 0.97 | 2.31 | 2.52 | 3.04 | 1.13 | 2.36 | 2.57 | 3.08 | 1.29 | 2.41 | 2.61 | 3.12 | 1.45 | 2.45 | 2.65 | 3.16 | 1.59 | 2.49 | 2.69 | 3.20 | | | | | | | | | | | | | | | | |
| 863 | 1.61 | 2.57 | 2.78 | 3.29 | 1.84 | 2.58 | 2.83 | 3.35 | 2.08 | 2.69 | 2.89 | 3.41 | 2.32 | 2.80 | 2.95 | 3.46 | 2.56 | 2.91 | 3.00 | 3.51 | 2.80 | 3.01 | 3.05 | 3.56 | | | | | | | | | | | | | | | | |
| 1843 | 0.84 | 2.19 | 2.40 | 2.91 | 1.00 | 2.24 | 2.44 | 2.95 | 1.16 | 2.28 | 2.48 | 2.99 | 1.32 | 2.32 | 2.52 | 3.03 | 1.48 | 2.36 | 2.56 | 3.07 | 1.64 | 2.40 | 2.59 | 3.10 | | | | | | | | | | | | | | | | |
| 1873 | 1.62 | 2.39 | 2.59 | 3.10 | 1.85 | 2.47 | 2.64 | 3.15 | 2.11 | 2.58 | 2.69 | 3.20 | 2.33 | 2.69 | 2.73 | 3.24 | 2.57 | 2.79 | 2.78 | 3.29 | 2.81 | 2.88 | 2.82 | 3.33 | | | | | | | | | | | | | | | | |
| 815VG-805VG-815VG(rubber) | 1.47 | 2.26 | 2.44 | 2.96 | 1.70 | 2.31 | 2.49 | 3.00 | 1.94 | 2.42 | 2.54 | 3.05 | 2.17 | 2.53 | 2.58 | 3.09 | 2.41 | 2.63 | 2.63 | 3.14 | 2.65 | 2.73 | 2.67 | 3.18 | 2.88 | 2.82 | 2.70 | 3.22 | 3.12 | 2.91 | 2.74 | 3.26 | | | | | | | | |
| 831VG-821VG- | 1.53 | 2.26 | 2.44 | 2.96 | 1.76 | 2.31 | 2.50 | 3.01 | 2.00 | 2.42 | 2.54 | 3.06 | 2.23 | 2.53 | 2.59 | 3.10 | 2.46 | 2.63 | 2.63 | 3.15 | 2.70 | 2.73 | 2.67 | 3.19 | 3.12 | 2.82 | 2.72 | 3.23 | 3.17 | 2.92 | 2.76 | 3.27 | | | | | | | | |
| 1873VG | 1.77 | 2.33 | 2.50 | 3.01 | 2.00 | 2.47 | 2.55 | 3.06 | 2.24 | 2.57 | 2.59 | 3.10 | 2.48 | 2.67 | 2.61 | 3.12 | 2.72 | 2.77 | 2.67 | 3.18 | 2.96 | 2.87 | 2.71 | 3.22 | 3.19 | 2.96 | 2.75 | 3.26 | | | | | | | | | | | | |
| LPB 831 | 1.98 | 2.47 | 2.53 | 3.04 | 2.21 | 2.57 | 2.57 | 3.09 | 2.45 | 2.67 | 2.61 | 3.13 | 2.68 | 2.77 | 2.66 | 3.17 | 2.92 | 2.86 | 2.69 | 3.20 | 3.15 | 2.95 | 2.73 | 3.24 | | | | | | | | | | | | | | | | |
| LPB 821 | 1.98 | 2.48 | 2.55 | 3.06 | 2.21 | 2.59 | 2.59 | 3.10 | 2.45 | 2.69 | 2.63 | 3.14 | 2.68 | 2.78 | 2.67 | 3.19 | 2.92 | 2.87 | 2.71 | 3.22 | 3.15 | 2.96 | 2.75 | 3.26 | | | | | | | | | | | | | | | | |

Sprockets, Wear Strips, Chain Guides

| Chain Type | Sprockets Z9 | | | | Sprockets Z10 | | | | Sprockets Z11 | | | | Sprockets Z12 | | | | Sprockets Z13 | | | | Sprockets Z14 | | | | Sprockets Z15 | | | | | | | | | | | |
|--|--------------|------|------|------|---------------|------|------|------|---------------|------|------|------|---------------|------|------|------|---------------|------|------|------|---------------|------|------|------|---------------|------|------|------|---|------|------|------|--|--|--|--|
| | H | L(2) | L(3) | L(5) | H | L(2) | L(3) | L(5) | H | L(2) | L(3) | L(5) | H | L(2) | L(3) | L(5) | H | L(2) | L(3) | L(5) | H | L(2) | L(3) | L(5) | H | L(2) | L(3) | L(5) | H | L(2) | L(3) | L(5) | | | | |
| 8257VG | 1.82 | 2.40 | 2.52 | 3.03 | 2.05 | 2.51 | 2.56 | 3.07 | 2.29 | 2.61 | 2.60 | 3.11 | 2.52 | 2.71 | 2.65 | 3.16 | | | | | | | | | | | | | | | | | | | | |
| LPB 8257 | 2.39 | 2.65 | 2.62 | 3.13 | 2.62 | 2.75 | 2.66 | 3.17 | 2.86 | 2.84 | 2.70 | 3.21 | 3.09 | 2.93 | 2.74 | 3.25 | | | | | | | | | | | | | | | | | | | | |
| 878TAB-879-879TAB-879M-880-880TAB-880M | 1.74 | 2.33 | 2.50 | 3.02 | 1.98 | 2.48 | 2.55 | 3.06 | 2.21 | 2.58 | 2.59 | 3.10 | 2.45 | 2.68 | 2.63 | 3.15 | 2.69 | 2.78 | 2.67 | 3.19 | 2.92 | 2.87 | 2.71 | 3.22 | 3.16 | 2.96 | 2.75 | 3.26 | | | | | | | | |
| 882-882TAB-882M | 1.82 | 2.40 | 2.52 | 3.03 | 2.05 | 2.51 | 2.56 | 3.07 | 2.29 | 2.61 | 2.60 | 3.11 | 2.52 | 2.71 | 2.65 | 3.16 | | | | | | | | | | | | | | | | | | | | |
| 878TAB VG-879TAB VG-879M VG | 1.87 | 2.40 | 2.52 | 3.03 | 2.09 | 2.51 | 2.56 | 3.07 | 2.33 | 2.61 | 2.61 | 3.12 | 2.57 | 2.71 | 2.65 | 3.16 | 2.80 | 2.81 | 2.69 | 3.20 | 3.04 | 2.87 | 2.72 | 3.24 | | | | | | | | | | | | |
| 882M VG-882TAB VG | 1.94 | 2.45 | 2.53 | 3.04 | 2.17 | 2.55 | 2.57 | 3.09 | 2.41 | 2.65 | 2.62 | 3.13 | 2.64 | 2.75 | 2.66 | 3.17 | | | | | | | | | | | | | | | | | | | | |
| LBP 878TAB-LPB 879M | 2.35 | 2.43 | 2.60 | 3.11 | 2.58 | 2.57 | 2.65 | 3.16 | 2.81 | 2.68 | 2.69 | 3.20 | 3.05 | 2.78 | 2.73 | 3.24 | 3.29 | 2.87 | 2.77 | 3.28 | 3.52 | 2.97 | 2.81 | 3.32 | 3.76 | 3.06 | 2.85 | 3.36 | | | | | | | | |
| LBP 882TAB-LBP 882M | 2.39 | 2.65 | 2.62 | 3.13 | 2.62 | 2.75 | 2.66 | 3.17 | 2.86 | 2.84 | 2.70 | 3.21 | 3.09 | 2.93 | 2.74 | 3.25 | | | | | | | | | | | | | | | | | | | | |

| Belt Type | Sprockets Z12 | | | | Sprockets Z16 | | | | Sprockets Z18 | | | | Sprockets Z20 | | | | Sprockets Z21 | | | | Sprockets Z24 | | | | Sprockets Z28 | | | | | | | | | | | |
|------------------------|---------------|------|------|------|---------------|------|------|------|---------------|------|------|------|---------------|------|------|------|---------------|------|------|------|---------------|------|------|------|---------------|------|------|------|------|------|------|------|--|--|--|--|
| | H | L(2) | L(3) | L(5) | H | L(2) | L(3) | L(5) | H | L(2) | L(3) | L(5) | H | L(2) | L(3) | L(5) | H | L(2) | L(3) | L(5) | H | L(2) | L(3) | L(5) | H | L(2) | L(3) | L(5) | H | L(2) | L(3) | L(5) | | | | |
| series 2120 FT-2121FT | | | | | 0.66 | 2.00 | 2.26 | 2.73 | | | | | 0.98 | 2.12 | 2.37 | 2.84 | | | | | | | | | 1.30 | 2.20 | 2.45 | 2.93 | 1.62 | 2.30 | 2.55 | 3.02 | | | | |
| series 2120 VG | | | | | 0.73 | 2.01 | 2.26 | 2.74 | | | | | 1.06 | 2.13 | 2.38 | 2.85 | | | | | | | | | 1.37 | 2.21 | 2.46 | 2.93 | 1.70 | 2.30 | 2.56 | 3.03 | | | | |
| series 2120 LBP | | | | | 1.17 | 2.02 | 2.28 | 2.75 | | | | | 1.49 | 2.14 | 2.39 | 2.86 | | | | | | | | | 1.81 | 2.22 | 2.47 | 2.94 | 2.13 | 2.31 | 2.57 | 3.04 | | | | |
| series 2250 FT-2250 FG | 1.28 | 2.25 | 2.50 | 2.98 | 1.91 | 2.37 | 2.63 | 3.10 | 2.23 | 2.50 | 2.76 | 3.23 | 2.55 | 2.52 | 2.77 | 3.24 | | | | | | | | | | | | | | | | | | | | |
| series 2251 FT-2252 FT | | | | | 1.99 | 2.49 | 2.74 | 3.22 | 2.28 | 2.50 | 2.76 | 3.23 | 2.59 | 2.61 | 2.86 | 3.33 | 2.75 | 2.61 | 2.86 | 3.33 | | | | | | | | | | | | | | | | |
| series 2251 VG | | | | | 2.09 | 2.51 | 2.76 | 3.23 | 2.38 | 2.52 | 2.77 | 3.24 | 2.69 | 2.63 | 2.88 | 3.35 | 2.85 | 2.62 | 2.87 | 3.35 | | | | | | | | | | | | | | | | |
| series 2251 LBP | | | | | 2.56 | 2.52 | 2.77 | 3.25 | 2.85 | 2.53 | 2.79 | 3.26 | 3.16 | 2.64 | 2.89 | 3.36 | 3.32 | 2.64 | 2.89 | 3.24 | | | | | | | | | | | | | | | | |

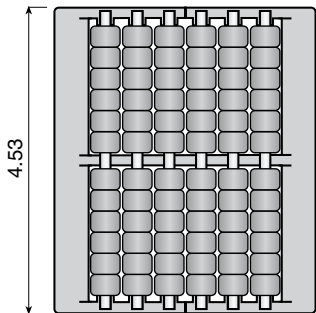
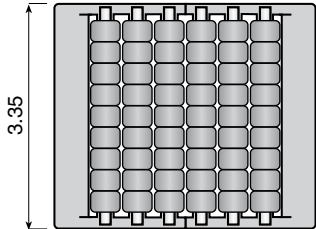
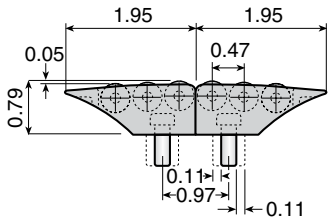
| Chain-Belt Type | Sprockets Z16 | | | | Sprockets Z18 | | | | Sprockets Z19 | | | |
|--------------------------|---------------|------|------|------|---------------|------|------|------|---------------|------|------|------|
| | H | L(2) | L(3) | L(5) | H | L(2) | L(3) | L(5) | H | L(2) | L(3) | L(5) |
| series 2250M-FT-2250M-FG | 2.16 | 2.61 | 2.87 | 3.34 | 2.47 | 2.76 | 3.01 | 3.48 | 2.67 | 2.90 | 3.15 | 3.62 |
| series 2251M-FT-2251M-FG | 2.31 | 2.68 | 2.93 | 3.41 | 2.63 | 2.81 | 3.06 | 3.54 | 2.83 | 2.92 | 3.17 | 3.65 |



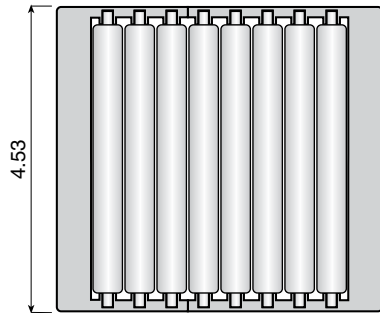
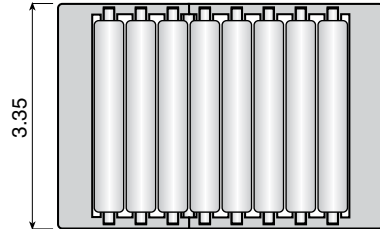
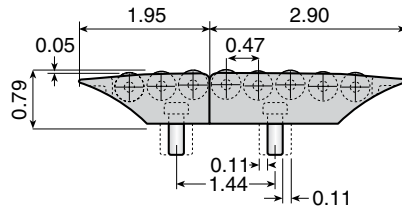
Modular Transfer Plate Assemblies

Assemblies with two modules

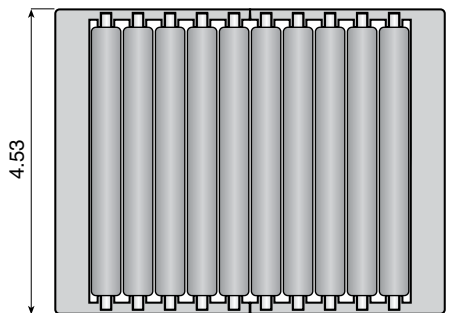
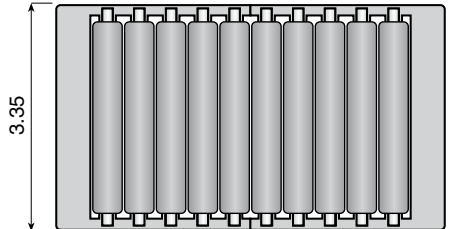
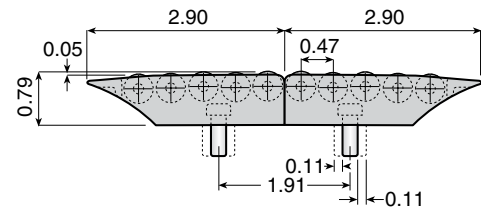
Sprockets, Wear Strips, Chain Guides



Assembly with two modules of three rows of rollers

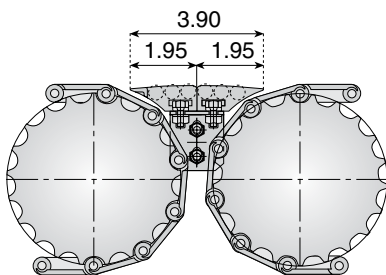


Assembly with two modules:
- One module with three rows of rollers
- One module with five rows of rollers



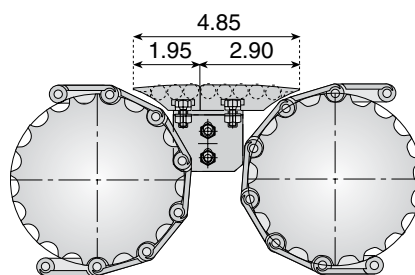
Assembly with two modules of five rows of rollers

Assemblies with head to tail transfers



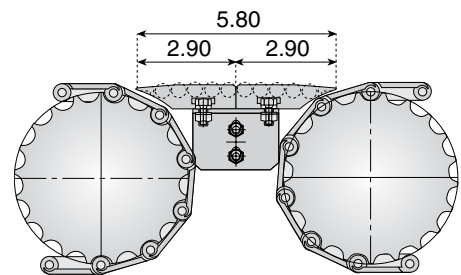
Head to tail transfer with two modules of three rows of rollers.

Assembly with stainless steel or plastic flat top chains. Top plate thickness from 0.12 inch. to 0.19 inch.



Head to tail transfer two with modules:
- One module of three rows of rollers
- One module of five rows of rollers

Assembly with stainless steel or plastic flat top chains. Top plate thickness from 0.12 inch. to 0.19 inch.

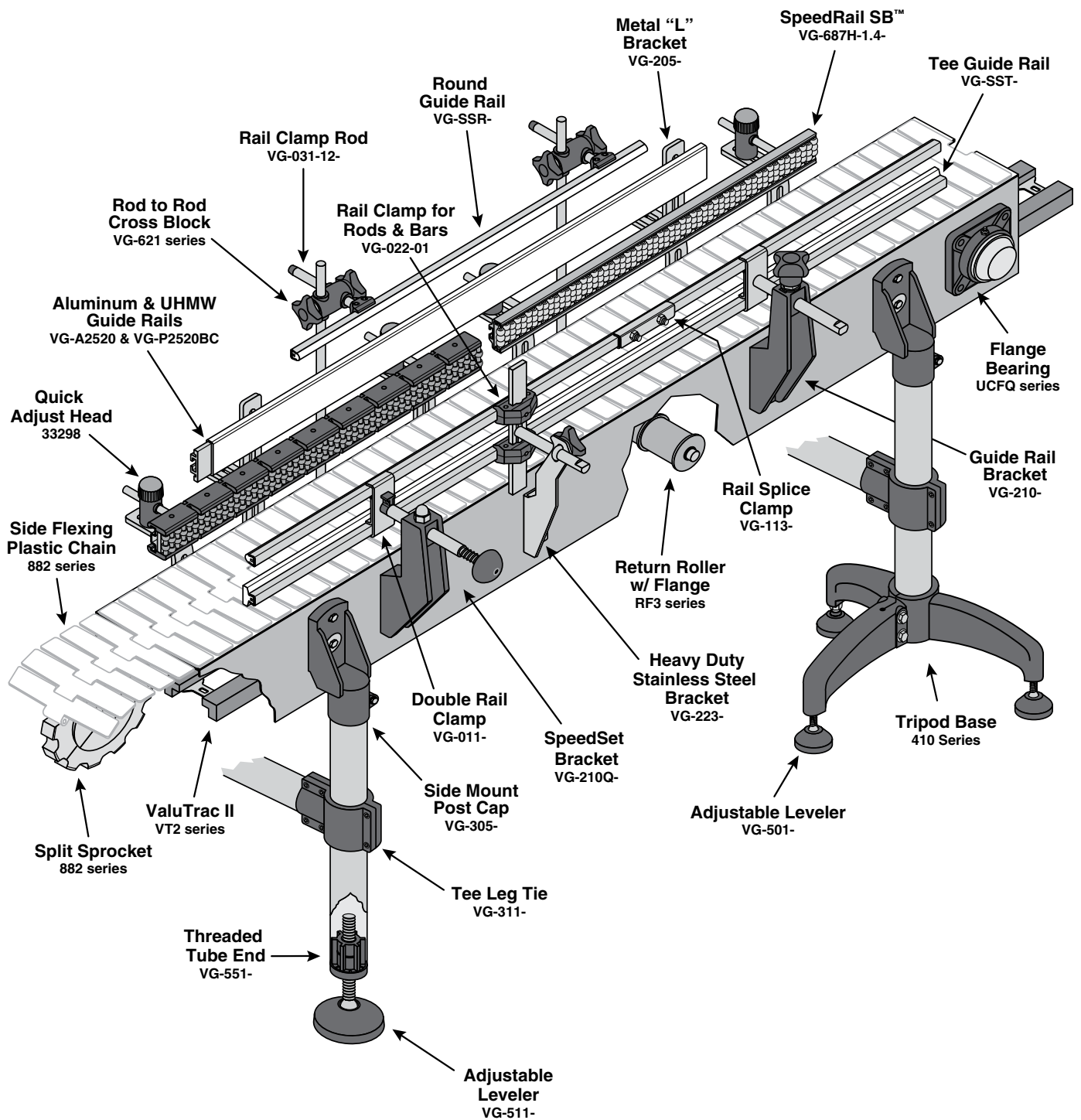


Head to tail transfer with two modules of five rows of rollers.

Assembly with stainless steel or plastic flat top chains. Top plate thickness from 0.12 inch. to 0.19 inch.

See pages 160-161 for transfer plate mounting dimensions.

Typical Valu Guide Component Applications



Sprockets, Wear Strips, Chain Guides

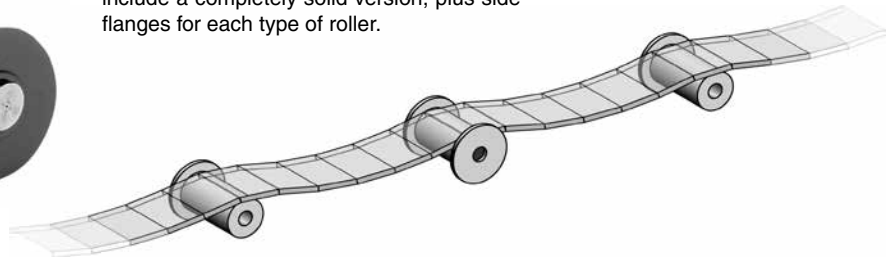
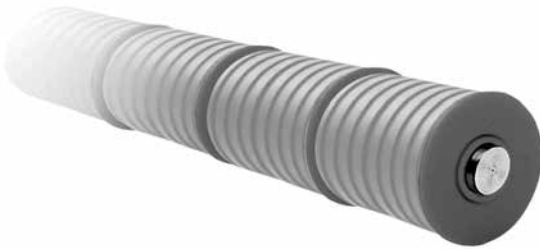


Return Rollers

The Next Generation of conveyor chain return rollers!

- Sanitary, watertight, sealed
- Excellent wear and chemical resistance
- Low noise, low friction

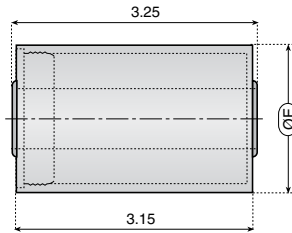
Our conveyor chain return rollers are made from impact resistant material. They are highly resistant to chemicals and have self lubricating characteristics. A urethane sleeve or ribbed rubber cover option is available for better traction, low noise, and long service life. Other options include a completely solid version, plus side flanges for each type of roller.



Sprockets, Wear Strips, Chain Guides

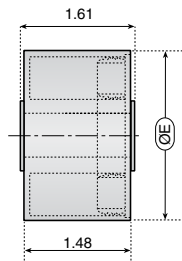
Material: Impact resistant, green HDPE. 3/4" roller is orange HDPE.

R3
Return Roller



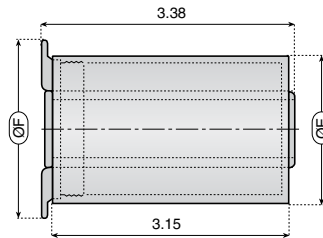
| Part Number | Ref. Code | Color (G=Green, O=Orange) | Shaft Sized Bore Diameter | E Roller Dia. |
|-------------|-----------|---------------------------|---------------------------|---------------|
| 12831 | R3-18-50 | G | 18mm or 11/16 in. | 1.97 |
| 12835 | R3-18-60 | G | 18mm or 11/16 in. | 2.36 |
| 32892 | R3-75-50 | O | 3/4 in. | 1.97 |
| 32836 | R3-75-60 | O | 3/4 in. | 2.36 |
| 12892 | R3-20-50 | G | 20mm | 1.97 |
| 12836 | R3-20-60 | G | 20mm | 2.36 |

R15
Return Roller



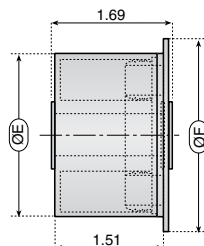
| Part Number | Ref. Code | Color (G=Green, O=Orange) | Shaft Sized Bore Diameter | E Roller Dia. |
|-------------|-----------|---------------------------|---------------------------|---------------|
| 121965 | R15-18-50 | G | 18mm or 11/16 in. | 1.97 |
| 122111V | R15-18-60 | G | 18mm or 11/16 in. | 2.36 |
| 321966 | R15-75-50 | O | 3/4 in. | 1.97 |
| 32535 | R15-75-60 | O | 3/4 in. | 2.36 |
| 12535V | R15-20-60 | G | 20mm | 2.36 |

RF3
Return Roller with Flange



| Part Number | Ref. Code | Color (G=Green, O=Orange) | Shaft Sized Bore Diameter | F Flange Dia. | E Roller Dia. |
|-------------|-----------|---------------------------|---------------------------|---------------|---------------|
| 12833 | RF3-18-50 | G | 18mm or 11/16 in. | 2.56 | 1.97 |
| 12837 | RF3-18-60 | G | 18mm or 11/16 in. | 2.95 | 2.36 |
| 32763 | RF3-75-50 | O | 3/4 in. | 2.56 | 1.97 |
| 32838 | RF3-75-60 | O | 3/4 in. | 2.95 | 2.36 |
| 12763 | RF3-20-50 | G | 20mm | 2.56 | 1.97 |
| 12838 | RF3-20-60 | G | 20mm | 2.95 | 2.36 |

RF15
Return Roller with Flange



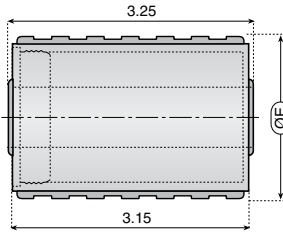
| Part Number | Ref. Code | Color (G=Green, O=Orange) | Shaft Sized Bore Diameter | F Flange Dia. | E Roller Dia. |
|-------------|------------|---------------------------|---------------------------|---------------|---------------|
| 121969F | RF15-18-50 | G | 18mm or 11/16 in. | 2.56 | 1.97 |
| 122114V | RF15-18-60 | G | 18mm or 11/16 in. | 2.95 | 2.36 |
| 321970F | RF15-75-50 | O | 3/4 in. | 2.56 | 1.97 |
| 32536 | RF15-75-60 | O | 3/4 in. | 2.95 | 2.36 |
| 121970F | RF15-20-50 | G | 20mm | 2.56 | 1.97 |
| 12536V | RF15-20-60 | G | 20mm | 2.95 | 2.36 |

Return Rollers

Material: Impact resistant, green HDPE with thermoplastic rubber cover. 3/4" roller is orange HDPE.

R3B

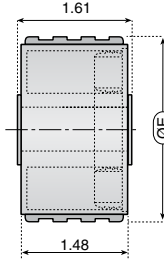
Return Roller with Rubber Surface



| Part Number | Ref. Code | Color (G=Green) (O=Orange) | Shaft Sized Bore Diameter | E Roller Dia. |
|-------------|-----------|----------------------------------|---------------------------------|---------------------|
| 12831RN | R3B-18-50 | G | 18mm or 11/16 in. | 2.24 |
| 12835RN | R3B-18-60 | G | 18mm or 11/16 in. | 2.64 |
| 32892RN | R3B-75-50 | O | 3/4 in. | 2.24 |
| 32836RN | R3B-75-60 | O | 3/4 in. | 2.64 |
| 12892RN | R3B-20-50 | G | 20mm | 2.24 |
| 12836RN | R3B-20-60 | G | 20mm | 2.64 |

R15B

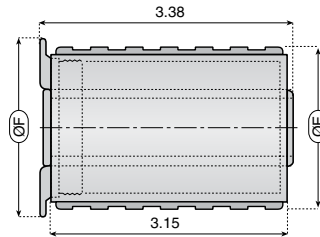
Return Roller with Rubber Surface



| Part Number | Ref. Code | Color (G=Green) (O=Orange) | Shaft Sized Bore Diameter | E Roller Dia. |
|-------------|------------|----------------------------------|---------------------------------|---------------------|
| 122111RN | R15B-18-60 | G | 18mm or 11/16 in. | 2.64 |
| 321966RN | R15B-75-50 | O | 3/4 in. | 2.24 |
| 32535RN | R15B-75-60 | O | 3/4 in. | 2.64 |
| 121966RN | R15B-20-50 | G | 20mm | 2.24 |
| 12535RN | R15B-20-60 | G | 20mm | 2.64 |

RF3B

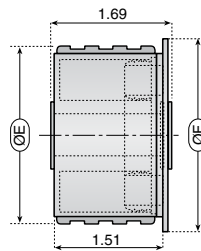
Return Roller with Flange and Rubber Surface



| Part Number | Ref. Code | Color (G=Green) (O=Orange) | Shaft Sized Bore Diameter | F Flange Dia. | E Roller Dia. |
|-------------|------------|----------------------------------|---------------------------------|---------------------|---------------------|
| 32763RNF | RF3B-75-50 | O | 3/4 in. | 2.56 | 2.24 |
| 32838RNF | RF3B-75-60 | O | 3/4 in. | 2.95 | 2.64 |

RF15B

Return Roller with Flange and Rubber Surface

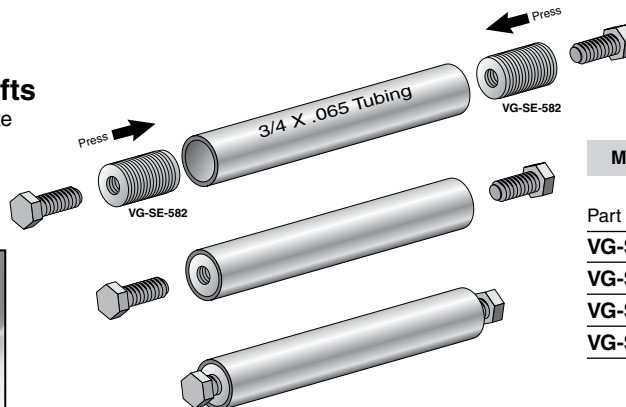


| Part Number | Ref. Code | Color (G=Green) (O=Orange) | Shaft Sized Bore Diameter | F Flange Dia. | E Roller Dia. |
|-------------|-------------|----------------------------------|---------------------------------|---------------------|---------------------|
| 121969RNF | RF15B-18-50 | G | 18mm or 11/16 in. | 2.56 | 2.24 |
| 122114RN | RF15B-18-60 | G | 18mm or 11/16 in. | 2.95 | 2.64 |
| 321970RNF | RF15B-75-50 | O | 3/4 in. | 2.56 | 2.24 |
| 32536RN | RF15B-75-60 | O | 3/4 in. | 2.95 | 2.64 |
| 121970RNF | RF15B-20-50 | G | 20mm | 2.56 | 2.24 |
| 12536RN | RF15B-20-60 | G | 20mm | 2.95 | 2.64 |

SE-582

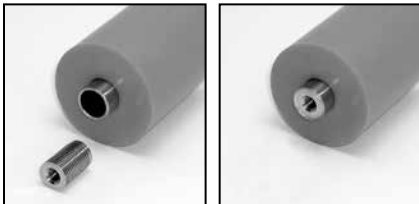
Threaded End for 3/4 dia. Shafts

Use this insert and 3/4 x .065 tubing to make threaded shafts in minutes, with just a saw. Bypass machine shop delays and use less material. Cut tubing to length, deburr, and press in VG-SE-582 shaft ends.



Materials: Stainless Steel.

| Part Number | End Insert Thread | Pull Out Load (lbs.) |
|---------------|----------------------|-------------------------|
| VG-SE-582-516 | 5/16-18 | 900 |
| VG-SE-582-38 | 3/8-16 | 900 |
| VG-SE-582-M8 | M8 | 900 |
| VG-SE-582-M10 | M10 | 900 |



Sprockets, Wear
Strips, Chain Guides

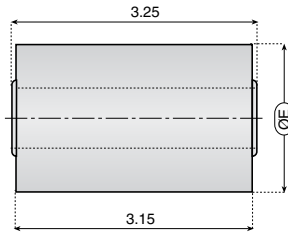


Return Rollers

Sprockets, Wear
Strips, Chain Guides

RP3

Solid
Return Roller

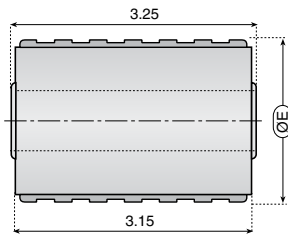


Material: Black Polypropylene.

| Part Number | Ref. Code | Color (G=Green) (O=Orange) | Shaft Sized Bore Diameter | E Roller Dia. |
|-------------|-----------|----------------------------------|---------------------------------|---------------------|
| 121985 | RP3-18-50 | G | 18mm or 11/16 in. | 1.97 |
| 121987 | RP3-18-60 | G | 18mm or 11/16 in. | 2.36 |
| 321991 | RP3-75-50 | O | 3/4 in. | 1.97 |
| 321993 | RP3-75-60 | O | 3/4 in. | 2.36 |
| 121991 | RP3-20-50 | G | 20mm | 1.97 |

RP3B

Solid Return
Roller with
Rubber Surface



Material: Black Polypropylene with thermoplastic rubber cover.

| Part Number | Ref. Code | Color (G=Green) (O=Orange) | Shaft Sized Bore Diameter | E Roller Dia. |
|-------------|------------|----------------------------------|---------------------------------|---------------------|
| 121987RN | RP3B-18-60 | G | 18mm or 11/16 in. | 2.64 |
| 321993RN | RP3B-75-60 | O | 3/4 in. | 2.64 |

RF

Roller Flange



Material: Impact resistant, green HDPE.

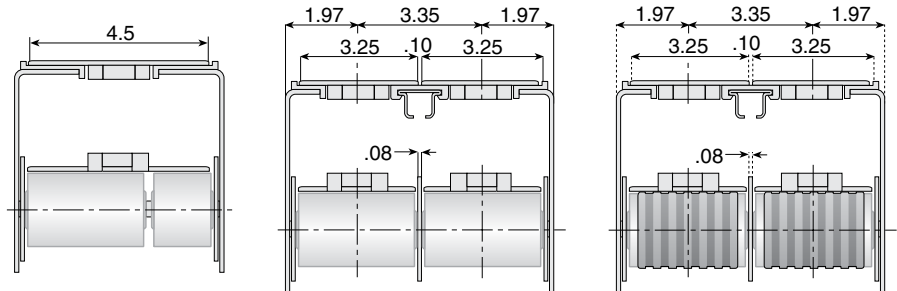
Flange for 3/4 inch shaft is orange HDPE.

| Part Number | Ref. Code | Shaft Sized Bore Diameter | Flange Diameter |
|-------------|-----------|---------------------------------|--------------------|
| 12841 | RF-18-70 | 18mm or 11/16 in. | 2.75 |
| 32534 | RF-75-70 | 3/4 in. | 2.75 |
| 12534 | RF-20-70 | 20mm | 2.75 |



Bypass machine shop delays!

Make 3/4 in. diameter threaded shafts in minutes using VG-SE-582 shaft ends. See page 165 for details



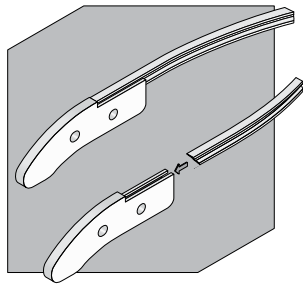
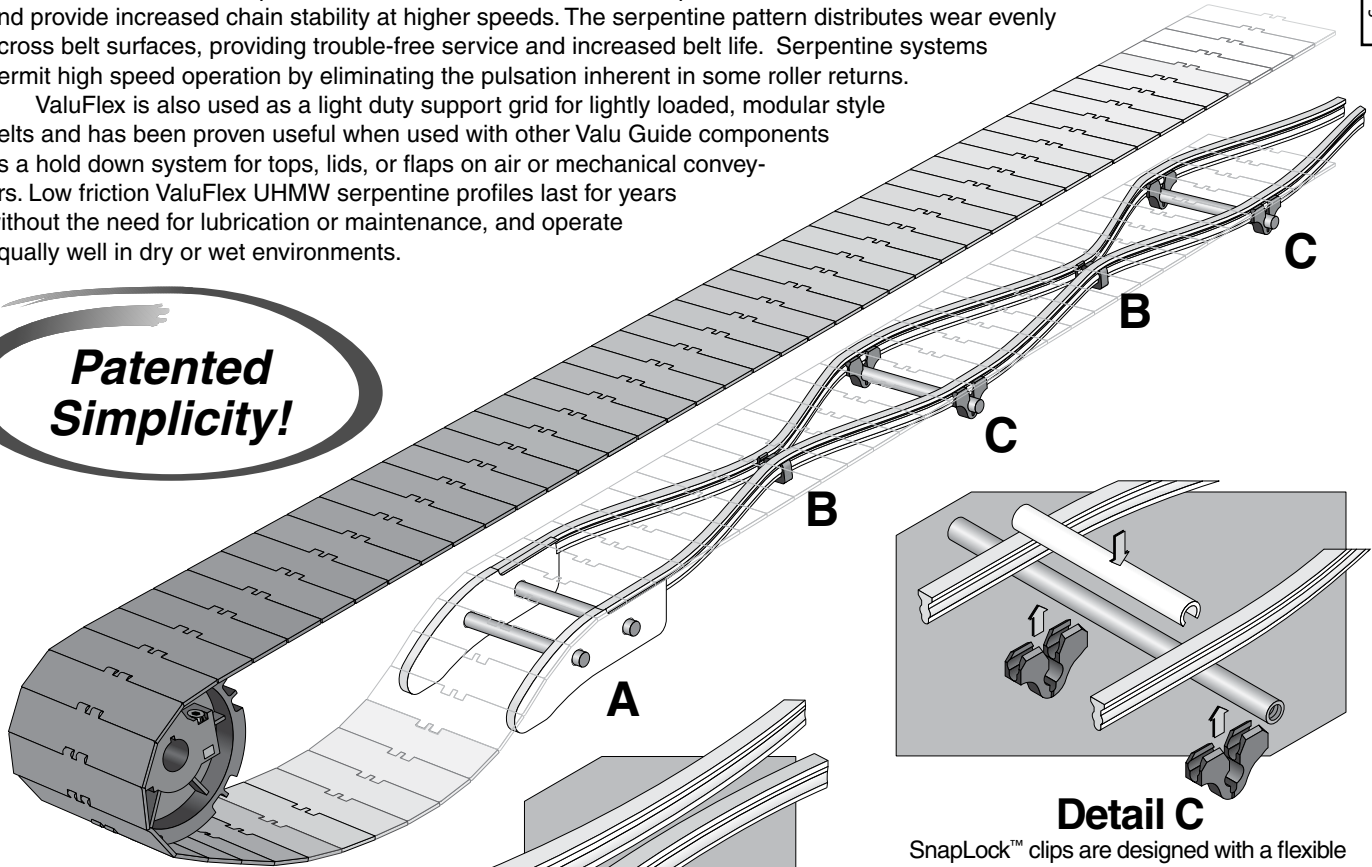


ValuFlex is a patented, serpentine wear strip system that solves conveyor return problems associated with metal and plastic slat top chains and wide modular type belts. The ValuFlex system uses standardized parts that help reduce design and fabrication time. ValuFlex can be easily installed, new or retrofitted, without the use of special tools. The absence of moving parts means less noise, less wear, and significantly lower maintenance and replacement cost. As added benefits, serpentes increase the useful life of chains and provide increased chain stability at higher speeds. The serpentine pattern distributes wear evenly across belt surfaces, providing trouble-free service and increased belt life. Serpentine systems permit high speed operation by eliminating the pulsation inherent in some roller returns.

ValuFlex is also used as a light duty support grid for lightly loaded, modular style belts and has been proven useful when used with other Valu Guide components as a hold down system for tops, lids, or flaps on air or mechanical conveyors. Low friction ValuFlex UHMW serpentine profiles last for years without the need for lubrication or maintenance, and operate equally well in dry or wet environments.

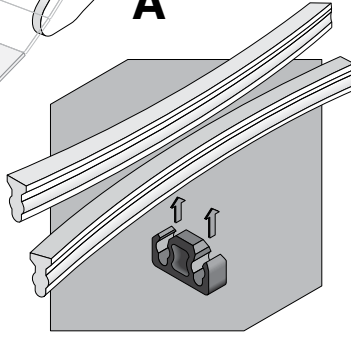
Sprockets, Wear Strips, Chain Guides

Patented Simplicity!



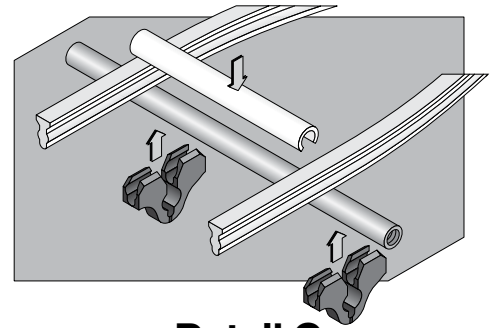
Detail A

ValuFlex™ chain return shoes are made from the same durable UHMW material as the extruded profiles. They are designed to provide a generous entry radius, feeding the chain smoothly onto the serpentine profile for a trouble free transition. Conveyor design and fabrication is simplified by the geometry of the shoe and the location of the mounting holes.



Detail B

Intermediate PinchLock™ clips reduce the number of cross members required by 50 percent. Most serpentine systems require a mid-cycle crossmember to pull the profiles together. With ValuFlex, on normal cycles of 18"-24", no center member is necessary. Midway between the cross rods, simply snap the PinchLock clips onto the serpentine profiles to complete the cycle which, in effect, eliminates every other cross support.



Detail C

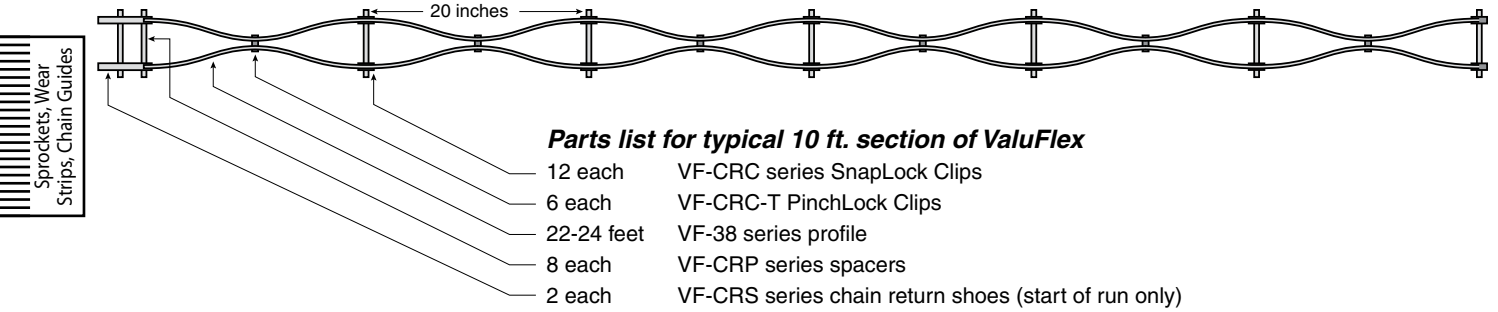
SnapLock™ clips are designed with a flexible hinge, enabling them to snap around the cross rod. Position the clips in the desired location along the rod. Then snap the ValuFlex serpentine profile into the clips by hand — no special tools are necessary. This assembled configuration creates a unique interference lock throughout the clip, profile, and rod, securing their relative positions. ValuFlex serpentine profiles are now securely locked to the cross rods and will not work up out of their slots, as other serpentine fabrications are prone to do. Splicing, though easily accomplished, is rarely needed because ValuFlex serpentine profiles are available in standard 100' coils (longer if needed), not the 10' lengths typical of "cut strip" serpentine systems.



The ValuFlex system combines four basic elements to form a complete, simple and cost-effective chain return solution. Flexible design accommodates virtually every width and length of conveyor. ValuFlex can be installed during or after conveyor frame assembly, or retro-fits can be installed directly on the existing conveyor with very little disassembly required.

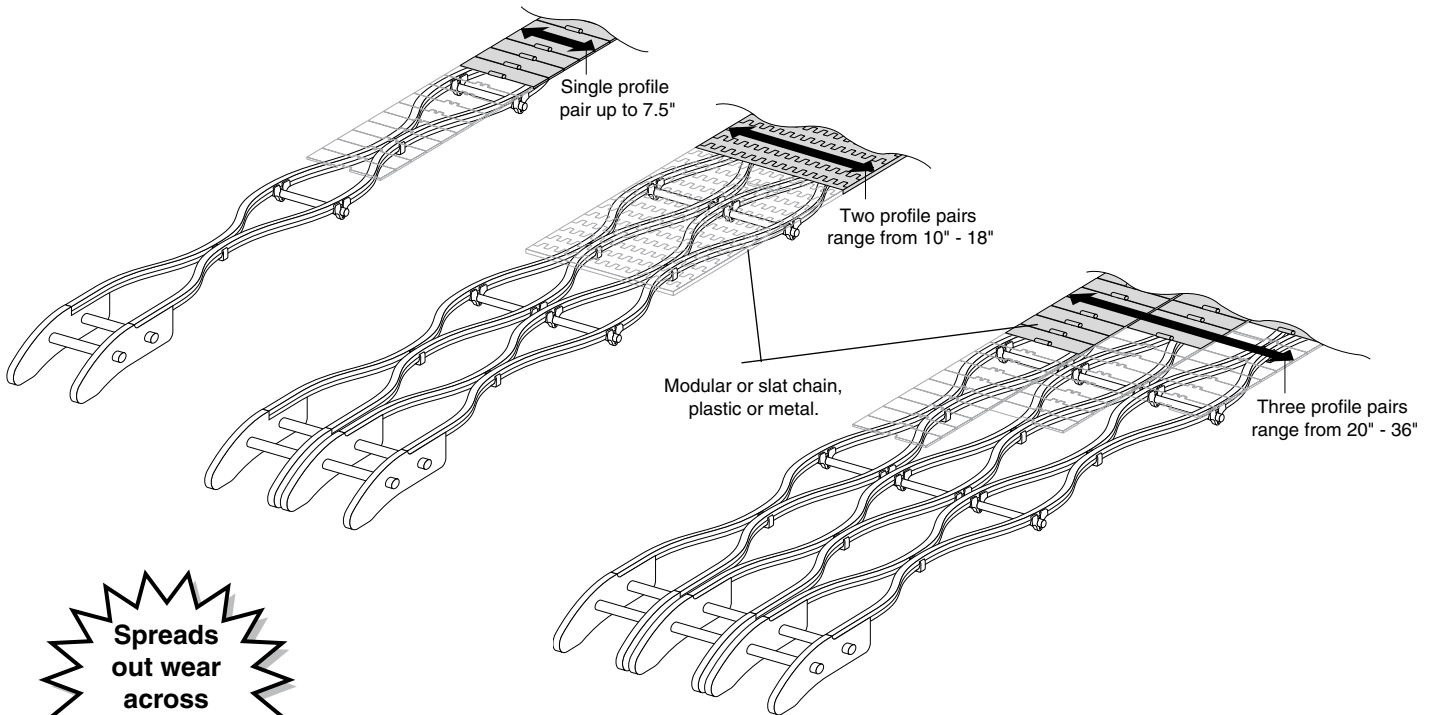


Serpentine Chain Return System

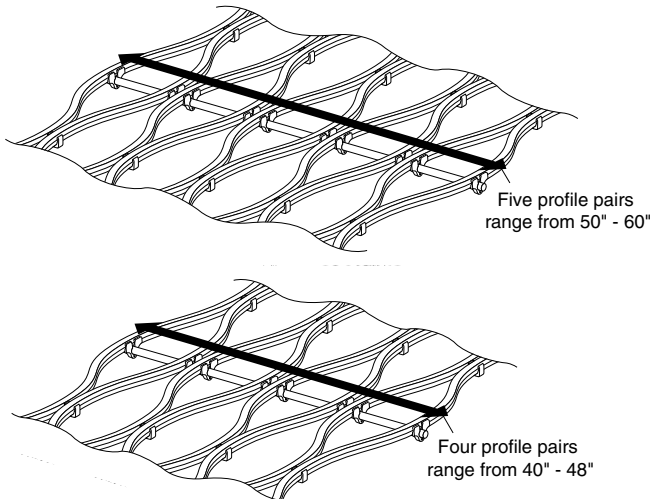


Parts list for typical 10 ft. section of ValuFlex

- 12 each VF-CRC series SnapLock Clips
- 6 each VF-CRC-T PinchLock Clips
- 22-24 feet VF-38 series profile
- 8 each VF-CRP series spacers
- 2 each VF-CRS series chain return shoes (start of run only)



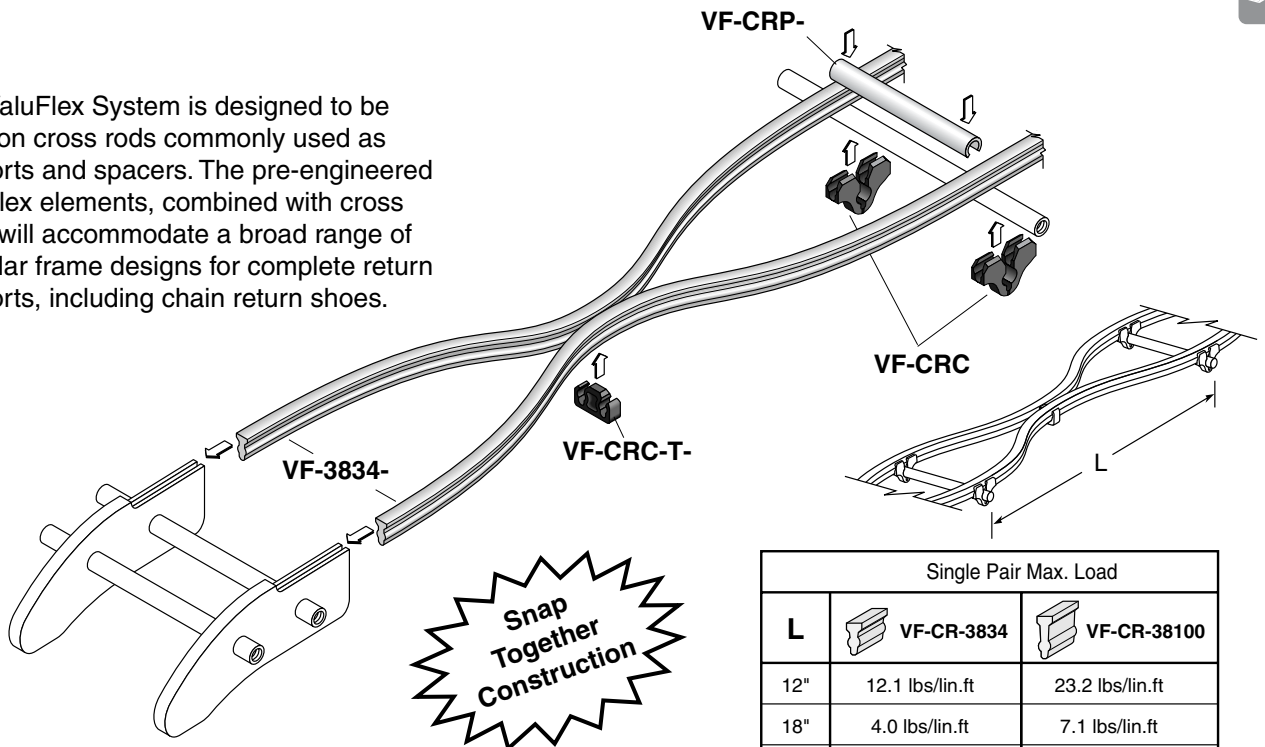
Spreads out wear across chain!



| System Considerations | Roller | ValuFLEX |
|--------------------------------|--------|----------|
| Cost-Effective/Labor Saving | X | X |
| Flexible Design/Standard Parts | X | X |
| Trouble Free/Secure | | X |
| Guaranteed Materials | | X |
| Long Life/Lower Chain Wear | | X |
| Low/No Maintenance | | X |
| Stable at High Speeds | | X |
| Universal Belt Compatibility | X | X |
| Industry Proven Reliable | X | X |



The ValuFlex System is designed to be used on cross rods commonly used as supports and spacers. The pre-engineered ValuFlex elements, combined with cross rods, will accommodate a broad range of modular frame designs for complete return supports, including chain return shoes.



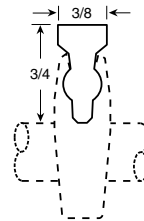
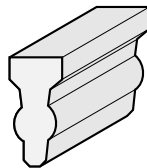
Sprockets, Wear Strips, Chain Guides

| Single Pair Max. Load | | |
|-----------------------|-----------------|-----------------|
| L | VF-CR-3834 | VF-CR-38100 |
| 12" | 12.1 lbs/lin.ft | 23.2 lbs/lin.ft |
| 18" | 4.0 lbs/lin.ft | 7.1 lbs/lin.ft |
| 24" | 2.3 lbs/lin.ft | 3.7 lbs/lin.ft |

3834

Standard Duty Profile

Securely snaps and locks into ValuFlex clips and return shoes providing a smooth and level return surface.



Material: UHMW.



| Part Number | Height (in.) | Length |
|----------------|--------------|--------|
| VF-CR-3834-50 | 3/4 | 50 |
| VF-CR-3834-100 | 3/4 | 100 |

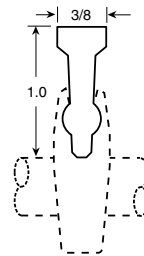
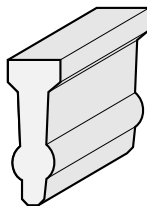


Patent # 336,712

38100

Heavy Duty Profile

Securely snaps and locks into ValuFlex clips and return shoes providing a smooth and level return surface.

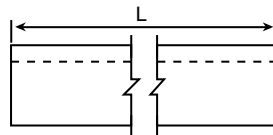
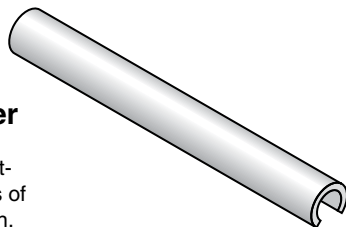


| Part Number | Height (in.) | Length |
|-----------------|--------------|--------|
| VF-CR-38100-50 | 1 | 50 |
| VF-CR-38100-100 | 1 | 100 |

CRP

Full Round Spacer

Maintains clip spacing, at any chain speed, by resisting the natural side forces of drifting and vibrating chain.



| Part Number | Ø Rod | Chain Width | L |
|-------------|--------------|-------------|------|
| VF-CRP-325 | 1/2 or 9/16* | 3.25 | 2.3 |
| VF-CRP-450 | 1/2 or 9/16* | 4.50 | 3.55 |
| VF-CRP-600 | 1/2 or 9/16* | 6.0 | 5.05 |
| VF-CRP-750 | 1/2 or 9/16* | 7.50 | 6.05 |
| VF-CRP-8FT | 1/2 or 9/16* | 8' | 96 |
| VF-CRP5-325 | 5/8 | 3.25 | 2.3 |
| VF-CRP5-450 | 5/8 | 4.50 | 3.55 |
| VF-CRP5-600 | 5/8 | 6.0 | 5.05 |
| VF-CRP5-750 | 5/8 | 7.50 | 6.05 |
| VF-CRP5-8FT | 5/8 | 8' | 96 |

*1/4" sch. 80 pipe diameter.

SnapLock™ and PinchLock™ Clips

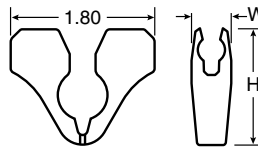
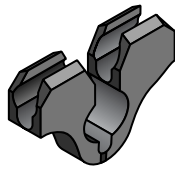


Sprockets, Wear Strips, Chain Guides

CRC

SnapLock™ Clip

Securely locks ValuFlex profiles onto rod or pipe.



Material: Black acetal.

| Part Number | H | W | Ø Rod |
|-------------|------|-----|------------|
| VF-CRC-12 | 1.30 | .45 | 1/2 |
| VF-CRC-58 | 1.43 | .50 | 5/8 or M16 |



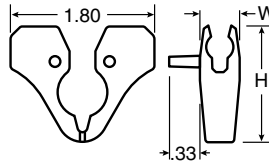
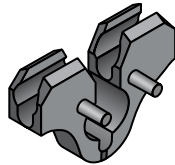
Patent # 340,564



CRCP

SnapLock™ Clip with pin

Securely locks ValuFlex profiles onto rod or pipe. Pins act as automatic side-frame spacers.

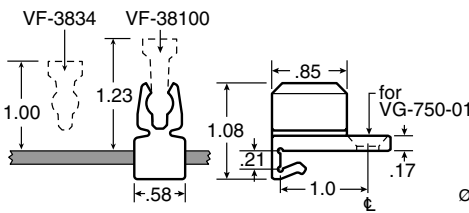


| Part Number | H | W | Ø Rod |
|-------------|------|-----|------------|
| VF-CRCP-12 | 1.30 | .45 | 1/2 |
| VF-CRCP-58 | 1.43 | .50 | 5/8 or M16 |

CRA

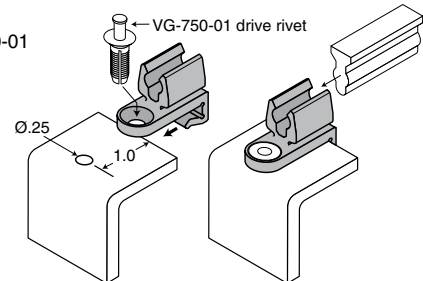
SnapLock™ Clip

Fastens onto 7 to 11 gauge angle bar cross supports. Locks ValuFlex profiles securely in place. Clip is held secure with VG-750-01 drive rivet, which is included.

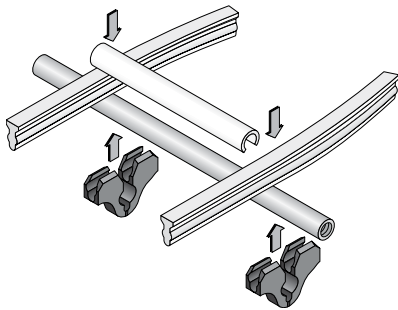


Part Number

VF-CRA

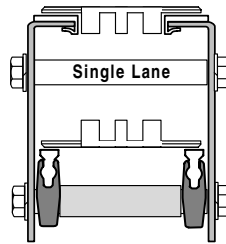


Patent # 6,533,108

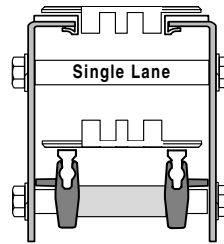


SnapLock Clips fit onto the cross rods and hold the serpentine profile in position.

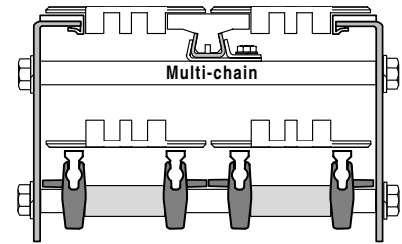
Typical SnapLock™ Mounting Applications:



VF-CRC-12



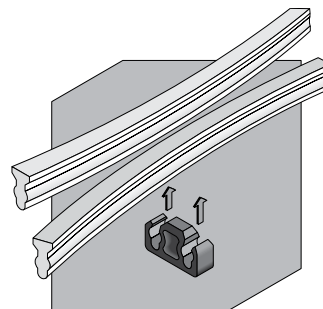
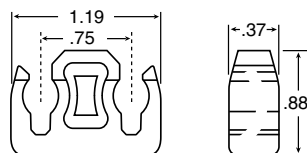
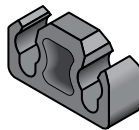
VF-CRCP-12



CRC-T

PinchLock™ Clip

Installed at the midpoint of the ValuFlex serpentine span, pinching and locking the two strips of ValuFlex profiles together. Recommended for use with all chain widths when cross rod centers are 14" or greater.



Material: Black acetal.

Part Number

VF-CRC-T



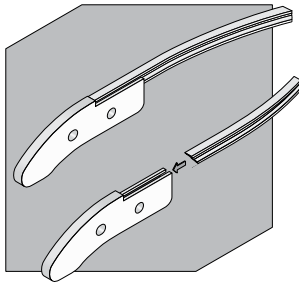
SYSTEM PLAST™

©2015 Regal-Beloit Corporation, All Rights Reserved.

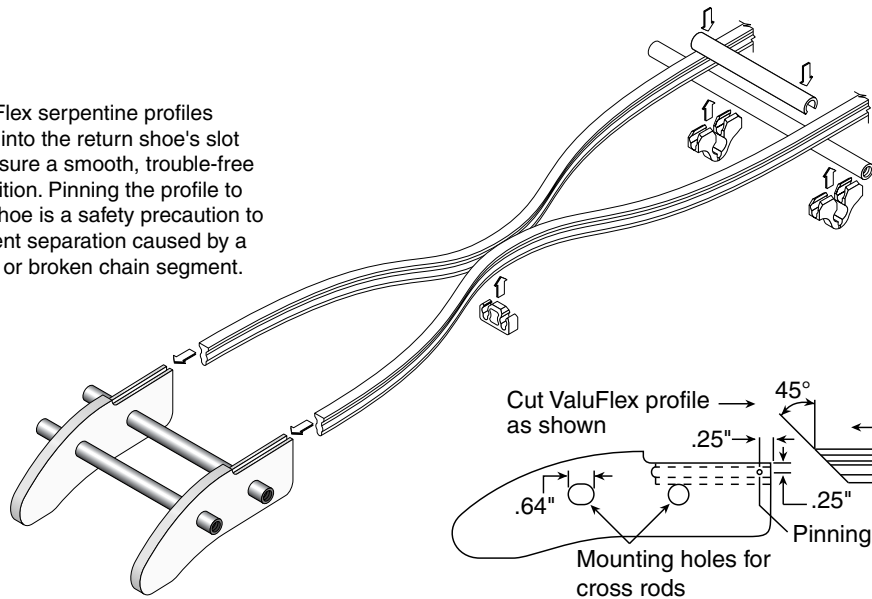
Chain Return Shoes and Cross Rods



Sprockets, Wear Strips, Chain Guides



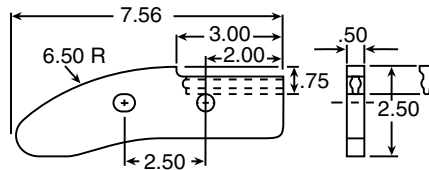
ValuFlex serpentine profiles slide into the return shoe's slot to ensure a smooth, trouble-free transition. Pinning the profile to the shoe is a safety precaution to prevent separation caused by a snag or broken chain segment.



CRS-34

Chain Return Shoe

For use with VF-CR-3834 profile. Designed with a generous entry radius to feed the chain smoothly onto the serpentine profile.



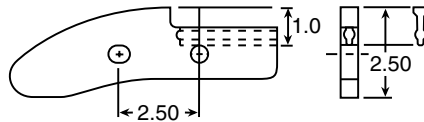
Material: UHMW.

| Part Number | Profile | Ø Cross Rod (in.) |
|--------------|------------|-------------------|
| VF-CRS-34 | VF-CR-3834 | 1/2 |
| VF-CRS-34-58 | VF-CR-3834 | 5/8 |

CRS-100

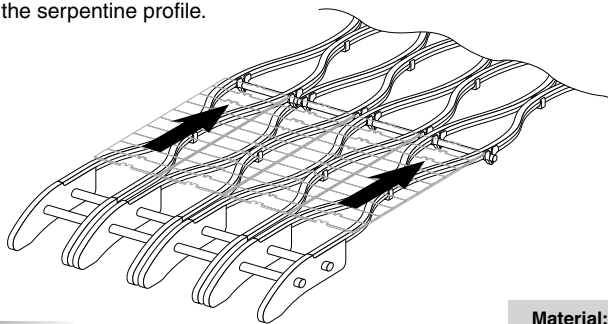
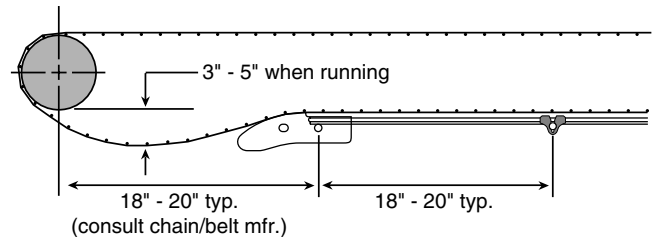
Chain Return Shoe

For use with VF-CR-38100 profile. Designed with a generous entry radius to feed the chain smoothly onto the serpentine profile.



| | | |
|---------------|-------------|-----|
| VF-CRS-100 | VF-CR-38100 | 1/2 |
| VF-CRS-100-58 | VF-CR-38100 | 5/8 |

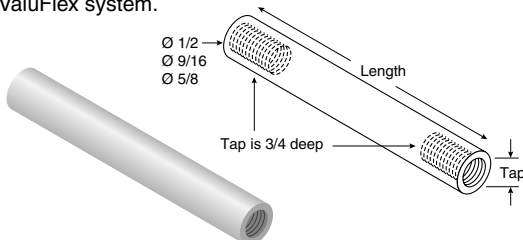
Shown are dimensional guidelines for positioning chain return shoes



CR4

Round Cross Rod

Commonly used as side-frame spacers and to support the entire ValuFlex system.



Material: 303 stainless steel.

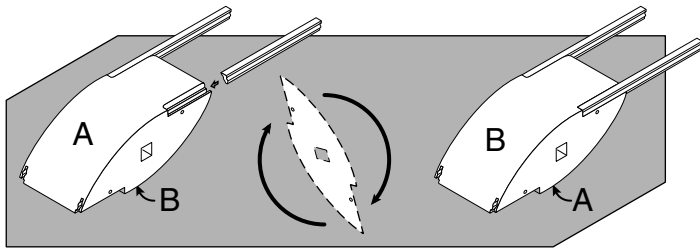
| Ø 1/2" Part Number | Length | Tap | Ø 9/16" Part Number | Length | Tap |
|--------------------|--------|---------|---------------------|--------|--------|
| VF-CR4-SS-0325-516 | 3.50 | 5/16-18 | VF-CR4.5-SS-0325-38 | 3.50 | 3/8-16 |
| VF-CR4-SS-0325-38 | 3.50 | 3/8-16 | VF-CR4.5-SS-0400-38 | 4.25 | 3/8-16 |
| VF-CR4-SS-0400-516 | 4.25 | 5/16-18 | VF-CR4.5-SS-0450-38 | 4.75 | 3/8-16 |
| VF-CR4-SS-0400-38 | 4.25 | 3/8-16 | VF-CR4.5-SS-0600-38 | 6.25 | 3/8-16 |
| VF-CR4-SS-0450-516 | 4.75 | 5/16-18 | VF-CR4.5-SS-0750-38 | 7.75 | 3/8-16 |
| VF-CR4-SS-0450-38 | 4.75 | 3/8-16 | | | |
| VF-CR4-SS-0600-516 | 6.25 | 5/16-18 | | | |
| VF-CR4-SS-0600-38 | 6.25 | 3/8-16 | | | |
| VF-CR4-SS-0750-516 | 7.75 | 5/16-18 | | | |
| VF-CR4-SS-0750-38 | 7.75 | 3/8-16 | | | |

| Ø 5/8" Part Number | Length | Tap |
|--------------------|--------|--------|
| VF-CR5-SS-0325-38 | 3.50 | 3/8-16 |
| VF-CR5-SS-0400-38 | 4.25 | 3/8-16 |
| VF-CR5-SS-0450-38 | 4.75 | 3/8-16 |
| VF-CR5-SS-0600-38 | 6.25 | 3/8-16 |
| VF-CR5-SS-0750-38 | 7.75 | 3/8-16 |



Reversible Chain Return Shoes and Cross Rods

Sprockets, Wear Strips, Chain Guides

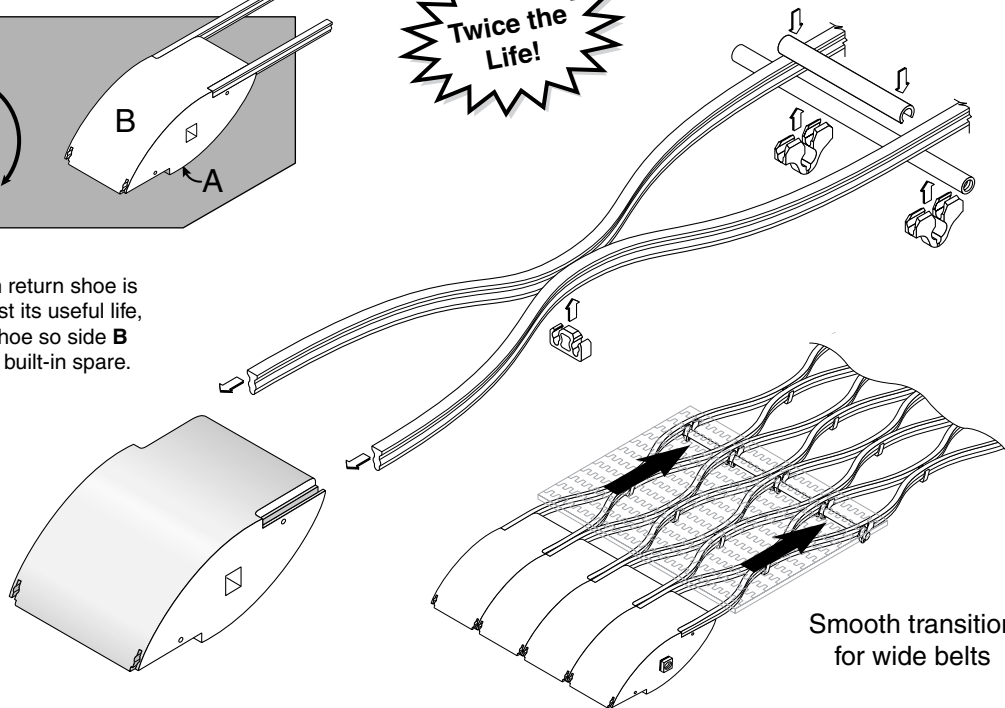


Twice the Life!

A unique, patented feature of this chain return shoe is its reversibility. When side **A** is worn past its useful life, simply unfasten the profile, rotate the shoe so side **B** faces up and reattach the profile - it's a built-in spare.



Patent # 5,310,047

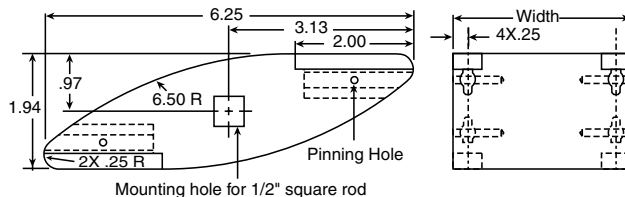


Smooth transition for wide belts

CRSR-34

Reversible Chain Return Shoe

For use with VF-CR-3834 profile. Designed primarily for slat-top hinged chains. Shoe can be used individually with the appropriate chain or ganged together for wider belts.



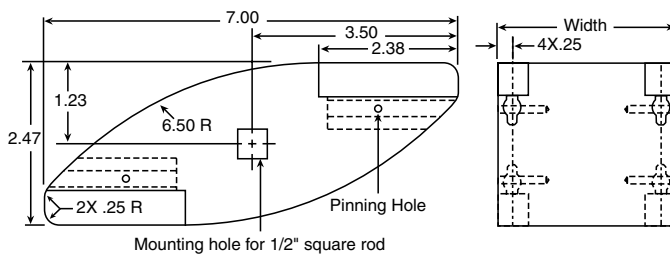
Material: UHMW.

| Part Number | Width (in.) |
|------------------|-------------|
| VF-CRCSR-34-0325 | 3 |
| VF-CRCSR-34-0400 | 3 3/4 |
| VF-CRCSR-34-0450 | 4 1/4 |
| VF-CRCSR-34-0600 | 5 3/4 |
| VF-CRCSR-34-0750 | 7 |

CRSR-100

Reversible Chain Return Shoe

For use with VF-CR-38100 profile. Designed primarily for slat-top hinged chains. Shoe can be used individually with the appropriate chain or ganged together for wider belts.

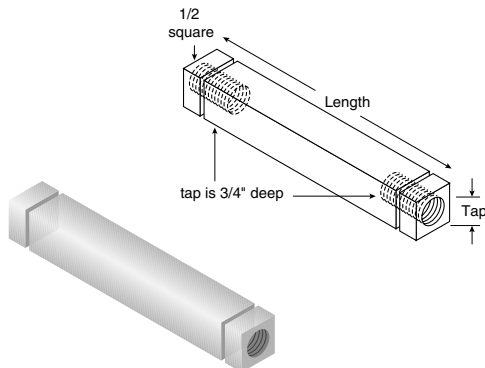


| Part Number | Width (in.) |
|-------------------|-------------|
| VF-CRCSR-100-0325 | 3 |
| VF-CRCSR-100-0400 | 3 3/4 |
| VF-CRCSR-100-0750 | 7 |

CRQ

Square Cross Rod

Used with VF-CRCSR chain return shoes, they fit into a square slot in the return shoe which is easily centered with the snap rings provided.

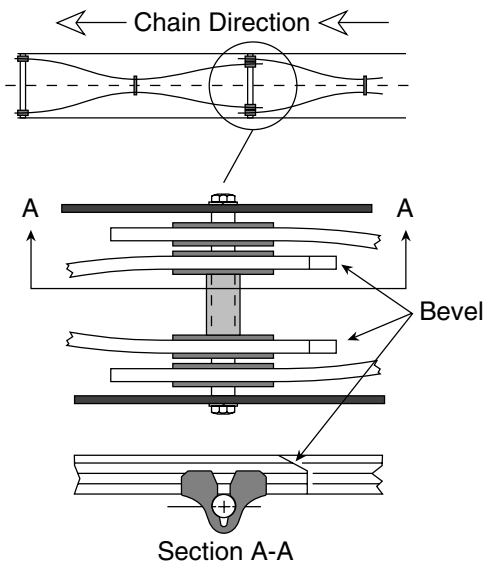
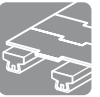


Material: 303 stainless steel.

| Part Number | Length | Tap |
|--------------------|--------|---------|
| VF-CRQ-SS-0325-516 | 3.50 | 5/16-18 |
| VF-CRQ-SS-0325-38 | 3.50 | 3/8-16 |
| VF-CRQ-SS-0400-516 | 4.25 | 5/16-18 |
| VF-CRQ-SS-0400-38 | 4.25 | 3/8-16 |
| VF-CRQ-SS-0450-516 | 4.75 | 5/16-18 |
| VF-CRQ-SS-0450-38 | 4.75 | 3/8-16 |
| VF-CRQ-SS-0600-516 | 6.25 | 5/16-18 |
| VF-CRQ-SS-0750-516 | 7.75 | 5/16-18 |
| VF-CRQ-SS-0750-38 | 7.75 | 3/8-16 |

SYSTEM PLAST™

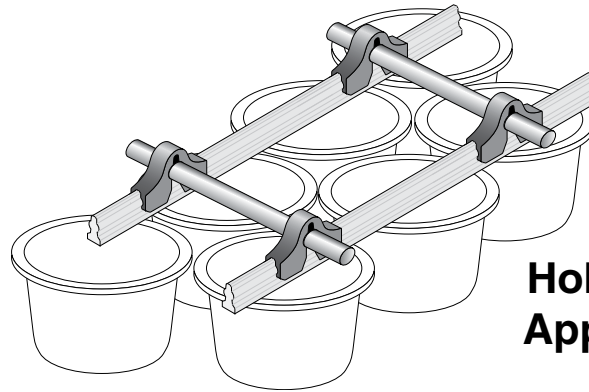
©2015 Regal-Beloit Corporation, All Rights Reserved.



Splicing with the overlap method is quick and easy with ValuFlex.

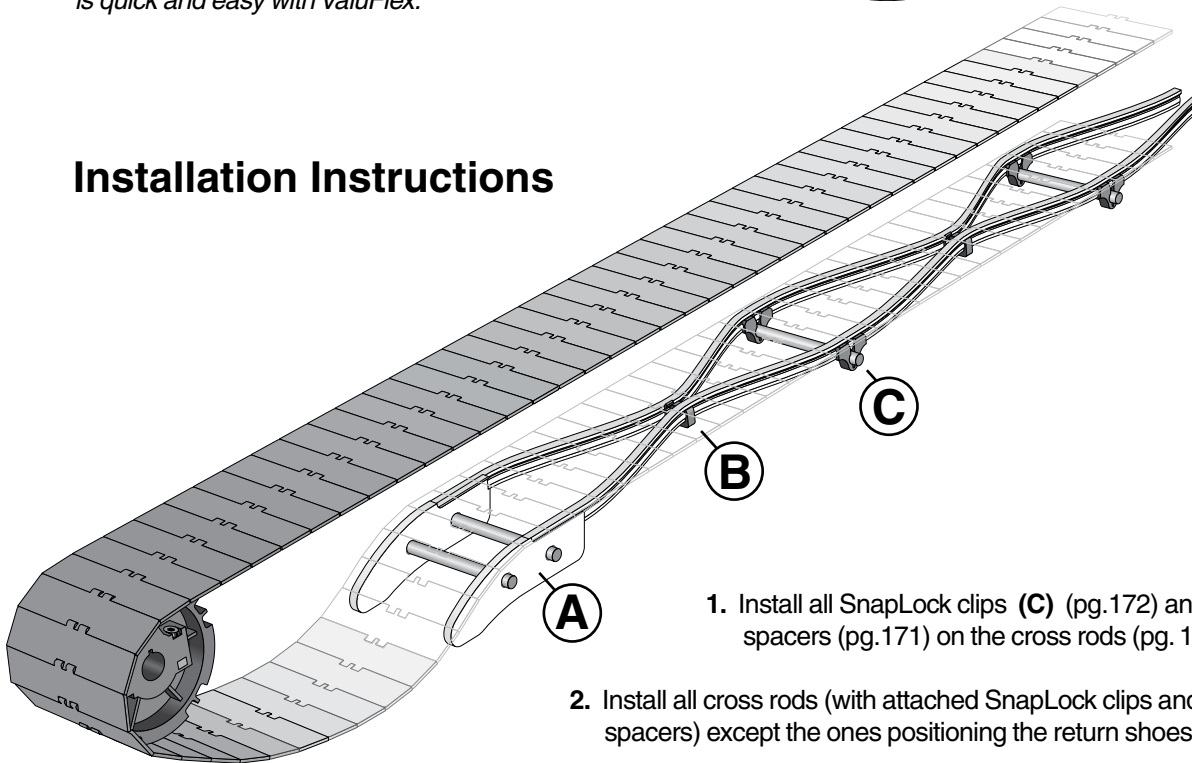
Splicing

When necessary, splicing is quick, easy, and trouble-free. The overlap method pictured here is preferred. Pick a convenient cross rod and terminate the ValuFlex serpentine profiles 1" to 2" past the ends of the clips. Attach new clips on the same rod, inside those just mentioned. Begin the new ValuFlex profiles, again leaving 1" to 2" ahead of the clip. Before snapping the profiles into place, be sure to bevel the edges to avoid any possible snag by the chain or belt (as shown). Never try to butt-splice two profiles by joining them into the same clip.



Hold-Down Application

Installation Instructions



1. Install all SnapLock clips **(C)** (pg.172) and appropriate spacers (pg.171) on the cross rods (pg. 173-174).
2. Install all cross rods (with attached SnapLock clips and appropriate spacers) except the ones positioning the return shoes.
3. Thread the ValuFlex serpentine profiles (pg. 171) through the conveyor frame and fasten the profiles to the return shoes **(A)** (pg. 173-174).
4. Mount shoes on the appropriate cross rods and fasten the rods in place.
5. Starting at the return shoe, move to the next cross rod and snap the serpentine profile into the clips. If intermediate PinchLock clips **(B)** (pg. 172) are being used, install the first one now between the return shoe(s) and the first cross rod/SnapLock assembly.
6. Repeat this process, first installing the profile into the next cross rod/SnapLock clip assembly and then installing a PinchLock clip between two new secured rod locations.

Sprockets, Wear Strips, Chain Guides



Conveyor Wear Bed

Chain Guides and Wear Beds

Valu Guide rail can be used as a guide or wear strip for wide metal or plastic belting and slat top chain. These rail shapes are also shown with conveyor guide rail on page 202-205.

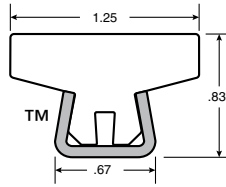
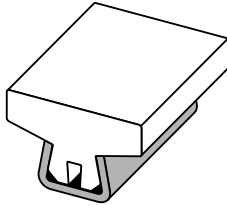


Natural White UHMW

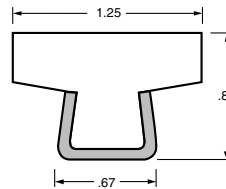
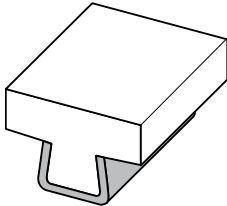
Material: UHMW Insert and stainless steel or galvanized steel sheath, 14 gauge.

Sprockets, Wear Strips, Chain Guides

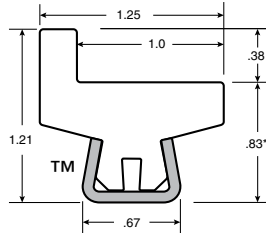
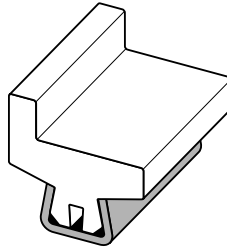
T-1.25



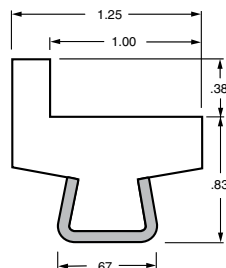
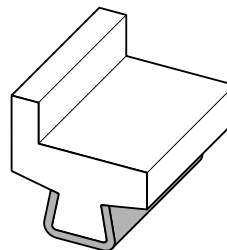
TS-1.25



LT



LTS



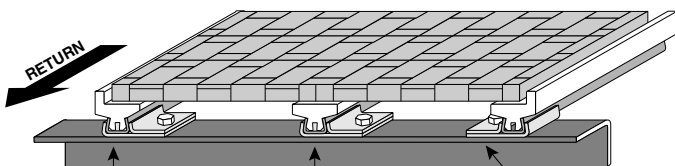
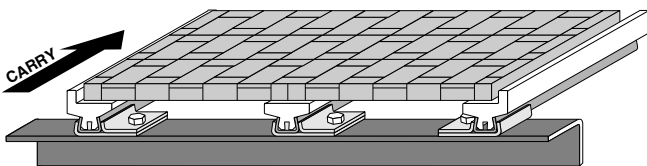
| Stainless | Galvanized | Length (ft.) |
|----------------|----------------|--------------|
| VG-SST-1.25-8 | VG-GST-1.25-8 | 8 |
| VG-SST-1.25-10 | VG-GST-1.25-10 | 10 |
| VG-SST-1.25-12 | VG-GST-1.25-12 | 12 |
| VG-SST-1.25-20 | VG-GST-1.25-20 | 20 |

| | | |
|-----------------|---|----|
| VG-SSTS-1.25-8 | - | 8 |
| VG-SSTS-1.25-10 | - | 10 |
| VG-SSTS-1.25-12 | - | 12 |
| VG-SSTS-1.25-20 | - | 20 |

| | | |
|--------------------|--------------------|----|
| VG-SSLT-1.0x.38-8 | VG-GSLT-1.0x.38-8 | 8 |
| VG-SSLT-1.0x.38-10 | VG-GSLT-1.0x.38-10 | 10 |
| VG-SSLT-1.0x.38-12 | VG-GSLT-1.0x.38-12 | 12 |
| VG-SSLT-1.0x.38-20 | VG-GSLT-1.0x.38-20 | 20 |

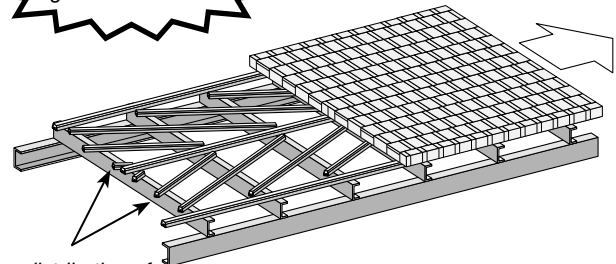
| | | |
|---------------------|---|----|
| VG-SSLTS-1.0x.38-8 | - | 8 |
| VG-SSLTS-1.0x.38-10 | - | 10 |
| VG-SSLTS-1.0x.38-12 | - | 12 |
| VG-SSLTS-1.0x.38-20 | - | 20 |

*Tolerance on height is ± 0.025
AISI 316 stainless steel are available on a special order basis.



VG-SSLT-1.0x.38- rail VG-SST-1.25- rail VG-012-01 single rail clamps

See page 218 for details on wear bed grid construction.



Note: For even distribution of load over width of belt, use the same type of guide rail through out your application.

Conveyor Wear Bed with Premium UHMW Materials



Gray Nolu-S

Self lubricating Nolu-S UHMW insert and stainless steel sheath, 14 gauge.

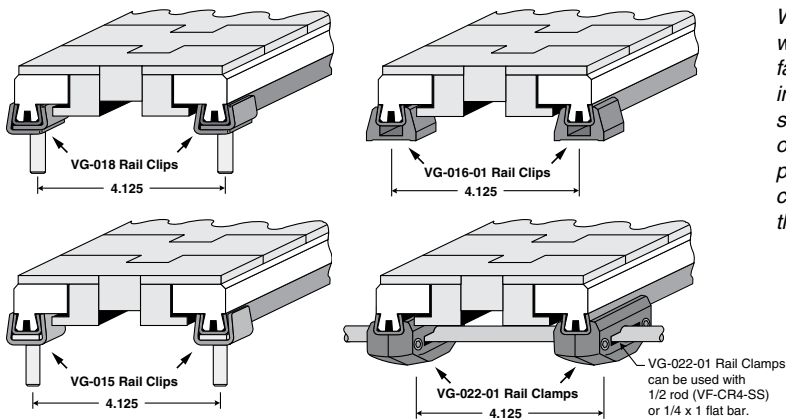


Static Dissipating

Static dissipating UHMW insert and stainless steel sheath, 14 gauge.

Sprockets, Wear Strips, Chain Guides

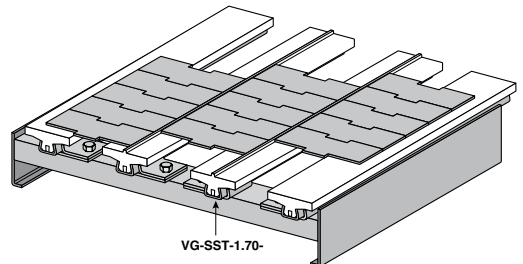
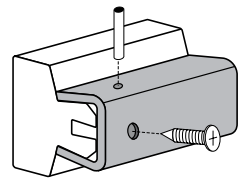
| | | Length (ft.) |
|------------------------|------------------------|--------------|
| VG-SST-1.25-NS-8 | VG-SST-1.25-SD-8 | 8 |
| VG-SST-1.25-NS-10 | VG-SST-1.25-SD-10 | 10 |
| VG-SST-1.25-NS-12 | VG-SST-1.25-SD-12 | 12 |
| VG-SST-1.25-NS-20 | VG-SST-1.25-SD-20 | 20 |
| VG-SSTS-1.25-NS-8 | - | 8 |
| VG-SSTS-1.25-NS-10 | VG-SSTS-1.25-SD-10 | 10 |
| VG-SSTS-1.25-NS-12 | VG-SSTS-1.25-SD-12 | 12 |
| VG-SSTS-1.25-NS-20 | VG-SSTS-1.25-SD-20 | 20 |
| VG-SSLT-1.0x.38-NS-8 | VG-SSLT-1.0x.38-SD-8 | 8 |
| VG-SSLT-1.0x.38-NS-10 | VG-SSLT-1.0x.38-SD-10 | 10 |
| VG-SSLT-1.0x.38-NS-12 | VG-SSLT-1.0x.38-SD-12 | 12 |
| VG-SSLT-1.0x.38-NS-20 | VG-SSLT-1.0x.38-SD-20 | 20 |
| - | VG-SSLTS-1.0x.38-SD-8 | 8 |
| VG-SSLTS-1.0x.38-NS-10 | VG-SSLTS-1.0x.38-SD-10 | 10 |
| VG-SSLTS-1.0x.38-NS-12 | VG-SSLTS-1.0x.38-SD-12 | 12 |
| VG-SSLTS-1.0x.38-NS-20 | VG-SSLTS-1.0x.38-SD-20 | 20 |



Tab Chain Guide mounting options

Important Note:

When Valu Guide Rail is used as a wear strip, the UHMW insert should be fastened to the metal sheath at the leading end of the rail. Using a sheet metal screw through the back of the sheath or a heavy wire pin from the side should be adequate. This will prevent the insert from sliding within the sheath in the event the chain accidentally catches on a leading edge. This also allows for thermal expansion and contraction of the UHMW insert.



**SYSTEM
PLAST™**



Conveyor Wear Bed

Valu Guide Tee Guide Rail can be used as a wear strip for wide metal or plastic belting and slat top chain. These rail shapes are also shown with conveyor guide rail on page 202-205.

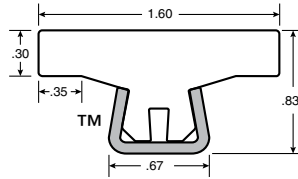
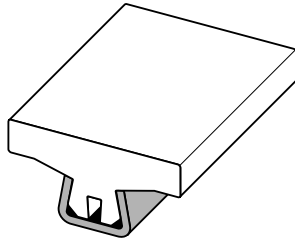


Natural White UHMW

Material: UHMW Insert and stainless steel or galvanized steel sheath, 14 gauge.

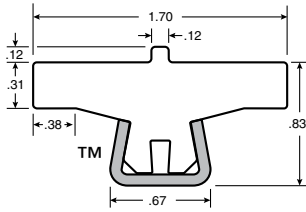
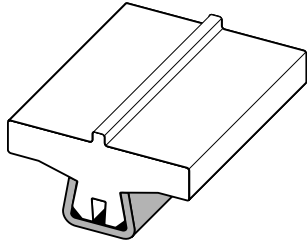
Sprockets, Wear Strips, Chain Guides

T-1.60

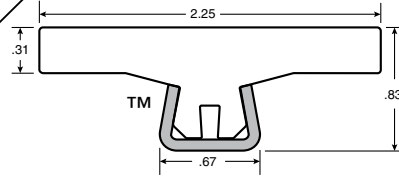
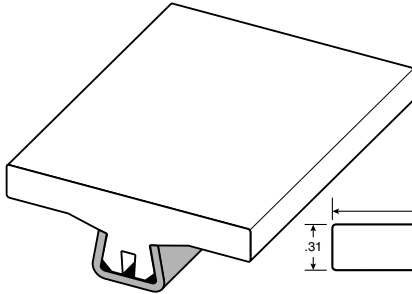


T-1.70

Ribbed wide Tee rail used as wear strip and support assembly for multi-lane 3/4 in. slat top chain.

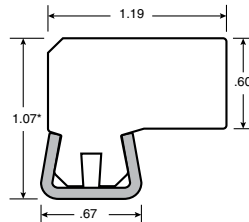
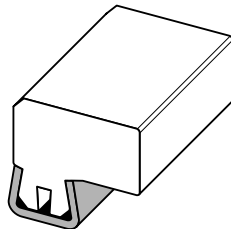


T-2.25



TG

Tab Chain Guide
Economical alternative to other chain guiding systems. For use with 882-4-1/2 and 882-LBP-3-3/4 style chains.



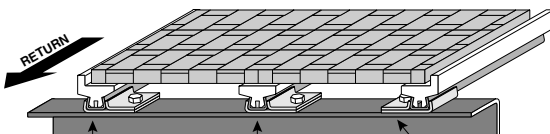
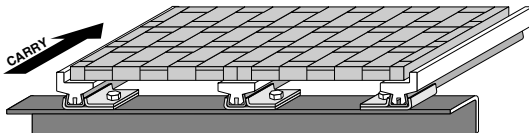
| Stainless | Galvanized | Length (ft.) |
|----------------|----------------|--------------|
| VG-SST-1.60-8 | VG-GST-1.60-8 | 8 |
| VG-SST-1.60-10 | VG-GST-1.60-10 | 10 |
| VG-SST-1.60-12 | VG-GST-1.60-12 | 12 |
| VG-SST-1.60-20 | VG-GST-1.60-20 | 20 |

| | | |
|----------------|----------------|----|
| VG-SST-1.70-8 | VG-GST-1.70-8 | 8 |
| VG-SST-1.70-10 | VG-GST-1.70-10 | 10 |
| VG-SST-1.70-12 | - | 12 |
| VG-SST-1.70-20 | - | 20 |

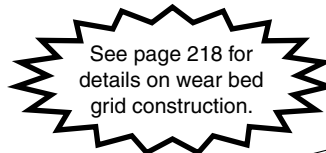
| | | |
|----------------|----------------|----|
| VG-SST-2.25-8 | VG-GST-2.25-8 | 8 |
| VG-SST-2.25-10 | VG-GST-2.25-10 | 10 |
| VG-SST-2.25-12 | VG-GST-2.25-12 | 12 |
| VG-SST-2.25-20 | VG-GST-2.25-20 | 20 |

| | | |
|---------------|---------------|----|
| VG-SSTG-02-8 | VG-GSTG-02-8 | 8 |
| VG-SSTG-02-10 | VG-GSTG-02-10 | 10 |
| VG-SSTG-02-12 | VG-GSTG-02-12 | 12 |
| VG-SSTG-02-20 | VG-GSTG-02-20 | 20 |

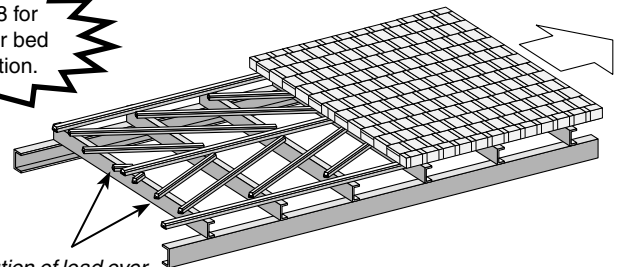
*Tolerance on height is ± 0.025
AISI 316 stainless steel are available on a special order basis.



VG-SSLT-1.0x.38- rail VG-SST-1.25- rail VG-012-01 single rail clamps



See page 218 for details on wear bed grid construction.



Note: For even distribution of load over width of belt, use the same type of guide rail through out your application.

Conveyor Wear Bed with Premium UHMW Materials



Gray Nolu-S

Self lubricating Nolu-S UHMW insert and stainless steel sheath, 14 gauge.



Static Dissipating

Static dissipating UHMW insert and stainless steel sheath, 14 gauge.

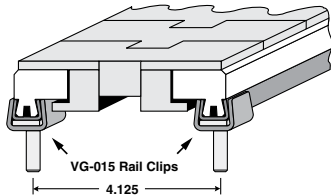
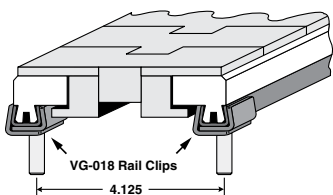
Sprockets, Wear Strips, Chain Guides

| | | Length (ft.) |
|-------------------|-------------------|--------------|
| VG-SST-1.60-NS-8 | VG-SST-1.60-SD-8 | 8 |
| VG-SST-1.60-NS-10 | VG-SST-1.60-SD-10 | 10 |
| VG-SST-1.60-NS-12 | VG-SST-1.60-SD-12 | 12 |
| VG-SST-1.60-NS-20 | VG-SST-1.60-SD-20 | 20 |

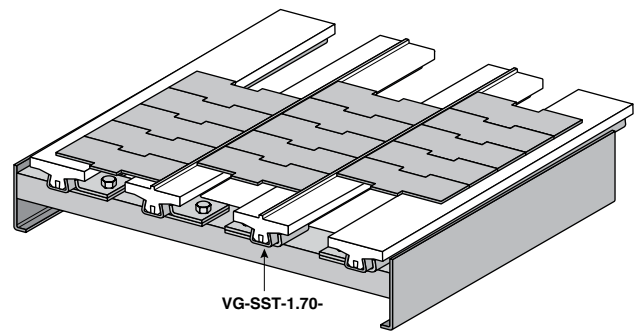
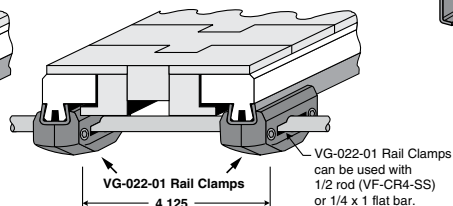
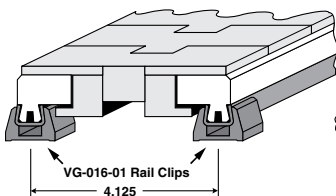
| | | |
|-------------------|-------------------|----|
| - | VG-SST-1.70-SD-8 | 8 |
| VG-SST-1.70-NS-10 | VG-SST-1.70-SD-10 | 10 |
| - | VG-SST-1.70-SD-12 | 12 |
| VG-SST-1.70-NS-20 | VG-SST-1.70-SD-20 | 20 |

| | | |
|-------------------|-------------------|----|
| VG-SST-2.25-NS-8 | VG-SST-2.25-SD-8 | 8 |
| VG-SST-2.25-NS-10 | VG-SST-2.25-SD-10 | 10 |
| VG-SST-2.25-NS-12 | VG-SST-2.25-SD-12 | 12 |
| VG-SST-2.25-NS-20 | VG-SST-2.25-SD-20 | 20 |

| | | |
|------------------|------------------|----|
| - | - | 8 |
| VG-SSTG-02-NS-10 | VG-SSTG-02-SD-10 | 10 |
| VG-SSTG-02-NS-12 | VG-SSTG-02-SD-12 | 12 |
| VG-SSTG-02-NS-20 | - | 20 |



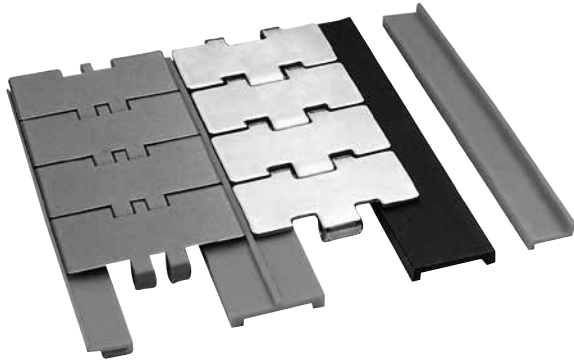
Tab Chain Guide mounting options



Chain Guide Wear Strip



Sprockets, Wear Strips, Chain Guides



Chain Guide Wear Strip

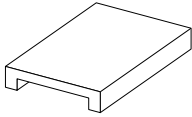
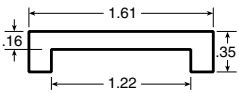
These rails are commonly used as guide rails or support members under belting and table top chain.

- Low Friction Surface
- High Chemical Resistance
- No Liquid Absorption

19045

Material: UHMW or Nolu-S (NS)

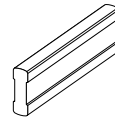
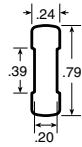
| Part Number | Color | Length |
|-------------|--------|------------|
| 19045N | Black | 6M (20 ft) |
| 19045V | Green | 6M (20 ft) |
| 19045NS | Nolu-S | 6M (20 ft) |



19067

Material: UHMW or Nolu-S (NS)

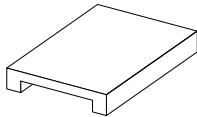
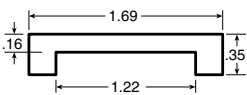
| Part Number | Color | Length |
|-------------|-------|--------|
| 19067N | Black | 200 ft |
| 19067V | Green | 200 ft |



19006L

Material: UHMW

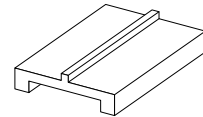
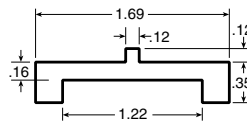
| Part Number | Color | Length |
|-------------|-------|--------------|
| 19006LN | Black | 60M (200 ft) |
| 19006VN | Green | 60M (200 ft) |



19006

Material: UHMW

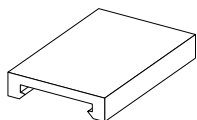
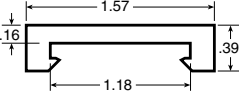
| Part Number | Color | Length |
|-------------|-------|--------------|
| 19006N | Black | 60M (200 ft) |
| 19006V | Green | 60M (200 ft) |



19071

Material: UHMW or Nolu-S (NS)

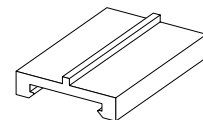
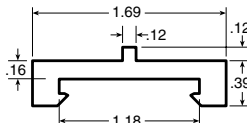
| Part Number | Color | Length |
|-------------|--------|------------|
| 19071 | Black | 6M (20 ft) |
| 19070 | Green | 6M (20 ft) |
| 19071NS | Nolu-S | 6M (20 ft) |

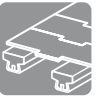


19073

Material: UHMW

| Part Number | Color | Length |
|-------------|-------|------------|
| 19073 | Black | 6M (20 ft) |
| 19072 | Green | 6M (20 ft) |



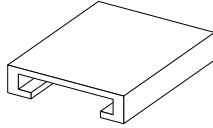


Sprockets, Wear Strips, Chain Guides

19080

Material: UHMW

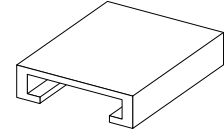
| Part Number | Color | Length |
|-------------|-------|------------|
| 19080N | Black | 3M (10 ft) |
| 19080NL | Black | 6M (20 ft) |
| 19080V | Green | 3M (10 ft) |
| 19080VL | Green | 6M (20 ft) |



19053

Material: UHMW

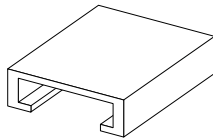
| Part Number | Color | Length |
|-------------|-------|------------|
| 19053N | Black | 3M (10 ft) |
| 19053NL | Black | 6M (20 ft) |
| 19053V | Green | 3M (10 ft) |
| 19053VL | Green | 6M (20 ft) |



19081

Material: UHMW

| Part Number | Color | Length |
|-------------|-------|------------|
| 19081N | Black | 3M (10 ft) |
| 19081NL | Black | 6M (20 ft) |
| 19081V | Green | 3M (10 ft) |
| 19081VL | Green | 6M (20 ft) |

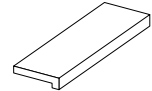


19004

Material: UHMW

| Part Number | Color | Length |
|-------------|-------|--------|
| 19004N | Black | 200 ft |
| 19004V | Green | 200 ft |

Available in Coils

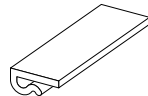


19003

Material: UHMW or Nolu-S (NS)

| Part Number | Color | Length |
|-------------|--------|--------|
| 19003N | Black | 200 ft |
| 19003V | Green | 200 ft |
| 19003NS | Nolu-S | 200 ft |

Available in Coils

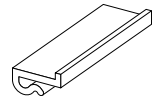


19007

Material: UHMW or Nolu-S (NS)

| Part Number | Color | Length |
|-------------|--------|--------|
| 19007N | Black | 200 ft |
| 19007V | Green | 200 ft |
| 19007NS | Nolu-S | 200 ft |

Available in Coils

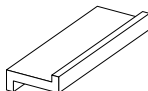


19005

Material: UHMW or Nolu-S (NS)

| Part Number | Color | Length |
|-------------|--------|--------|
| 19005N | Black | 200 ft |
| 19005V | Green | 200 ft |
| 19005NS | Nolu-S | 200 ft |

Available in Coils

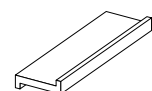


19001

Material: UHMW or Nolu-S (NS)

| Part Number | Color | Length |
|-------------|--------|--------|
| 19001N | Black | 200 ft |
| 19001V | Green | 200 ft |
| 19001NS | Nolu-S | 200 ft |

Available in Coils

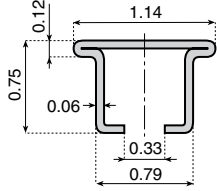




Sprockets, Wear Strips, Chain Guides

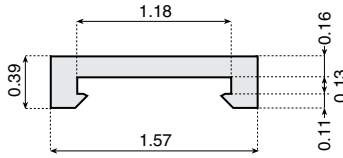
Chain Guide Wear Strip

The following metal channels can be used with the UHMW inserts listed in this group. These rails are commonly used as guide rails or support members under belting and table top chain. Mounting clamps and accessories designed for these metal channels are listed below.



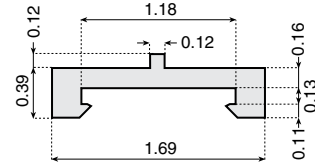
Material: Stainless steel

| Part Number | Length |
|-------------|---------------|
| 19048C | 3M (9.84 ft.) |
| 19048 | 6M (19.68ft.) |



Material: UHMW

| Part Number | Color | Length |
|-------------|-------|---------------|
| 19071 | Black | 6M (19.68ft.) |
| 19070 | Green | 6M (19.68ft.) |

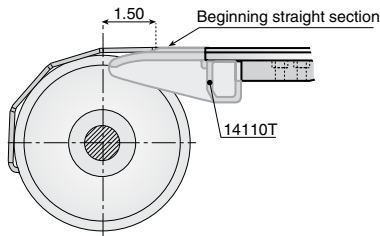


Material: UHMW

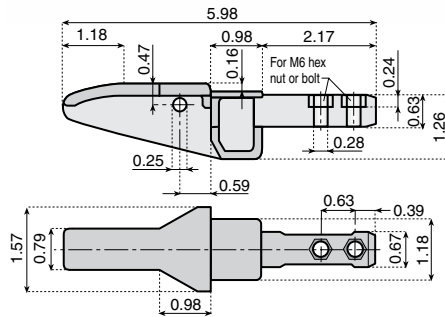
| Part Number | Color | Length |
|-------------|-------|---------------|
| 19073 | Black | 6M (19.68ft.) |
| 19072 | Green | 6M (19.68ft.) |

Chain Guide Shoes for Channels

Shoes are used to guide chain between idler wheels and wear strip and must be fixed with M6 UNC screws.



For use with stainless steel channel part number 19048

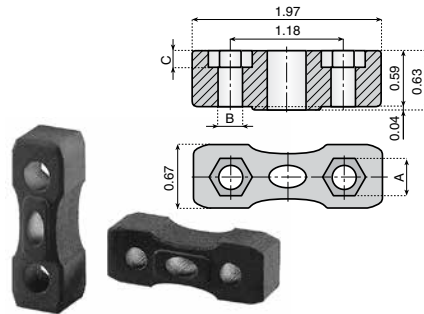
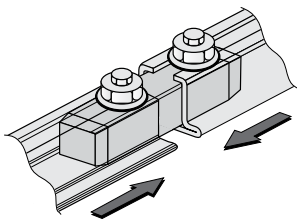


Material: Black Polyamide

| Part Number | Hex Fastener Size |
|-------------|-------------------|
| 14110 | M6 |

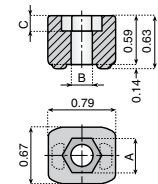
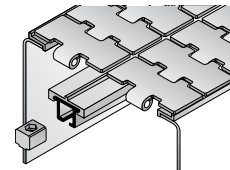
Clamps for channels

Use these clamps for mounting and splicing the metal channel supports. Uses 5/16", 1/4", M6 or M8 fastening hardware.



Material: Polyamide

| Part Number | A | B | C | Hex Fastener Size |
|-------------|-----|-----|-----|-------------------|
| 14111 | .51 | .32 | .24 | 5/16 or M8 |



Material: Polyamide

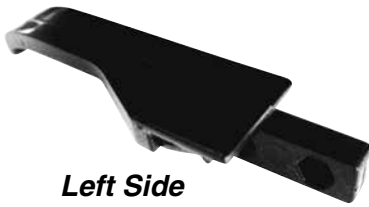
| Part Number | A | B | C | Hex Fastener Size |
|-------------|-----|-----|-----|-------------------|
| 14109 | .51 | .32 | .24 | 5/16 or M8 |



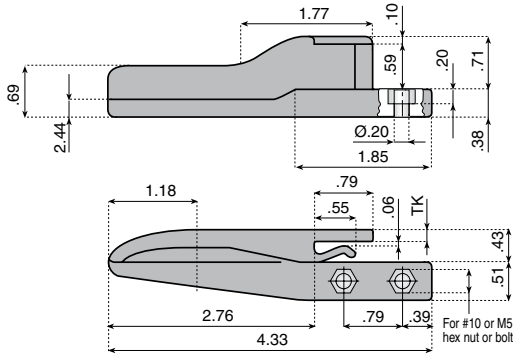
Chain Guide Shoes for Frame

Shoes are used to guide chain between idler wheels and wear strip and must be fixed with #10 or M5 UNC screws.

Sprockets, Wear Strips, Chain Guides



Left Side

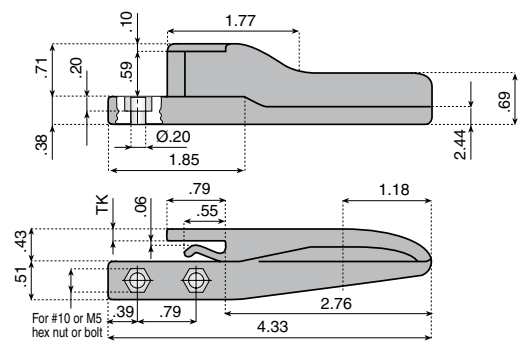


Material: Polyamide

| Part Number | TK | Hex Fastener Size |
|-------------|------------|-------------------|
| 14077N | .12 (3 mm) | #10 or M5 |
| 14088N | .16 (4 mm) | #10 or M5 |

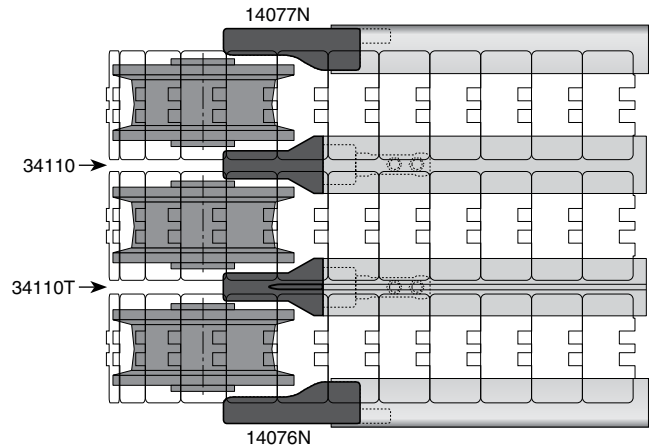
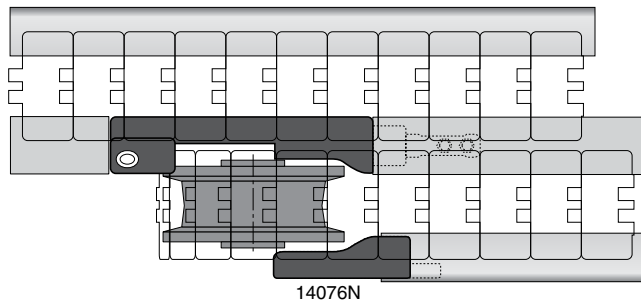


Right Side



Material: Polyamide

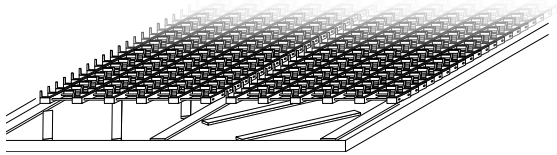
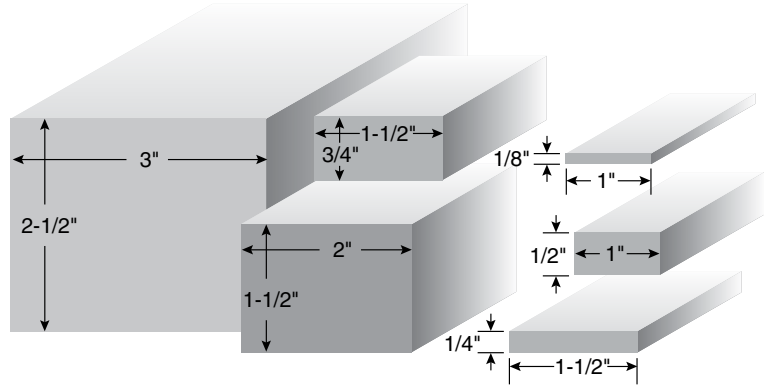
| Part Number | TK | Fastener |
|-------------|------------|-----------|
| 14076N | .12 (3 mm) | #10 or M5 |
| 14087N | .16 (4 mm) | #10 or M5 |





Rectangular Bar & Wear Strips

Machined product. Thicknesses range from 1/8" to 3" and widths from 1/2" to 6". The length is 10 feet. Other lengths are available upon request. Strip thickness tolerance is $\pm 10\%$ of the sheet and the width tolerance is $\pm 1/64$, with special tolerances available upon request. Rectangular wear strips can be fastened utilizing nylon drive rivets (VG-750). Applications for rectangular wear strips include: chain guide, wear strips, flat top chain contact guide, and dead plates.



Sprockets, Wear Strips, Chain Guides

Part numbers in these tables are for Natural White UHMW-PE. To specify other materials, substitute the part number prefix "HS" with the following:

Nolu-S

"BR" for Nolu-BR (black)
A proprietary blend of UHMW resins. Maintains excellent chemical and corrosion resistance, while providing low friction, superior rigidity, and resistance to wear.

"SS" for Nolu-S (grey)
A blend of UHMW and other dry lubricants. Self-lubricating properties make it ideal for applications requiring reduced friction, noise reduction, and higher dry-running speeds.

Nolu-SR

"SR" for Nolu-SR (dark grey)
A much harder, longer wearing composition which is used in most high speed / high load applications. Proven to increase throughput, reduce jam ups, and extend product life.

| Width inches | Thickness inches | | | | | | | | |
|--------------|------------------|------------|-------------|------------|-------------|-------------|-------------|-------------|------------|
| | 1/8 | 3/16 | 1/4 | 5/16 | 3/8 | 1/2 | 5/8 | 3/4 | 7/8 |
| 1/2 | HS-0208-10 | HS-0308-10 | HS-0408-10 | - | HS-0608-10 | HS-0808-10 | - | - | - |
| 3/4 | HS-0212-10 | HS-0312-10 | HS-0412-10 | HS-0512-10 | HS-0612-10 | HS-0812-10 | HS-1012-10 | HS-1212-10 | - |
| 1 | HS-0216-10 | HS-0316-10 | HS-0416-10* | HS-0516-10 | HS-0616-10 | HS-0816-10 | HS-1016-10 | HS-1216-10 | - |
| 1-1/4 | HS-0220-10 | HS-0320-10 | HS-0420-10* | HS-0520-10 | HS-0620-10 | HS-0820-10 | HS-1020-10 | HS-1220-10 | HS-1420-10 |
| 1-1/2 | HS-0224-10 | HS-0324-10 | HS-0424-10 | HS-0524-10 | HS-0624-10* | HS-0824-10* | HS-1024-10* | HS-1224-10* | - |
| 1-3/4 | HS-0228-10 | HS-0328-10 | HS-0428-10 | - | HS-0628-10 | HS-0828-10 | - | HS-1228-10 | - |
| 2 | HS-0232-10 | HS-0332-10 | HS-0432-10 | HS-0532-10 | HS-0632-10* | HS-0832-10* | HS-1032-10 | HS-1232-10* | - |
| 2-1/2 | HS-0240-10 | HS-0340-10 | HS-0440-10 | - | HS-0640-10 | HS-0840-10 | - | HS-1240-10 | HS-1440-10 |
| 3 | HS-0248-10 | HS-0348-10 | HS-0448-10 | HS-0548-10 | HS-0648-10 | HS-0848-10 | - | HS-1248-10 | - |
| 3-1/2 | - | - | - | - | - | HS-1056-10 | HS-1256-10 | HS-1456-10 | - |
| 4 | HS-0264-10 | HS-0364-10 | HS-0464-10 | - | HS-0664-10 | HS-0864-10 | HS-1064-10 | HS-1264-10 | - |

| Width inches | Thickness inches | | | | | | | |
|--------------|------------------|------------|------------|-------|------------|-------|------------|------------|
| | 1 | 1-1/4 | 1-1/2 | 1-3/4 | 2 | 2-1/4 | 2-1/2 | 3 |
| 1 | HS-1616-10 | - | - | - | - | - | - | - |
| 1-1/4 | HS-1620-10 | - | - | - | - | - | - | - |
| 1-1/2 | HS-1624-10 | - | - | - | - | - | - | - |
| 1-3/4 | HS-1628-10 | - | HS-2428-10 | - | - | - | - | - |
| 2 | HS-1632-10 | HS-2032-10 | - | - | HS-3232-10 | - | - | - |
| 2-1/2 | HS-1640-10 | HS-2040-10 | - | - | - | - | - | - |
| 3 | HS-1648-10 | - | - | - | - | - | - | HS-4848-10 |
| 4 | HS-1664-10 | - | - | - | HS-3264-10 | - | - | - |
| 6 | HS-1696-10 | - | - | - | - | - | HS-4096-10 | - |

Wear strip with a thickness of 1/4 in. or less can be shipped coiled in cartons (UPS) or straight in tubes by truck.

* Longer continuous lengths available Contact System Plast Customer Service at 1-866-765-8744.



750

Drive Rivet

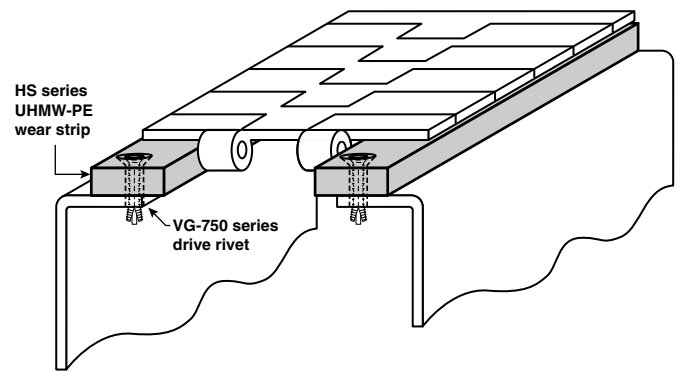
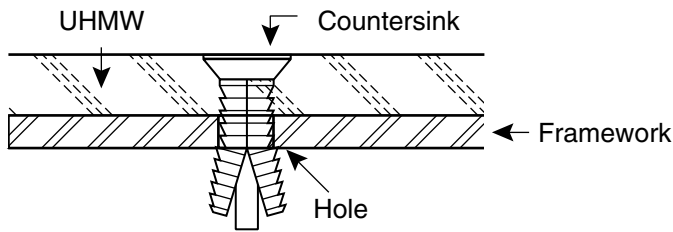
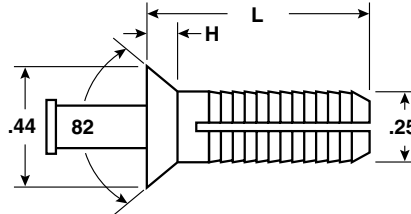
Used to attach wear strips to metal or plastic frames. Can be used for slotted holes with washer. Head can be mounted flush with thinner wear strips using standard countersink. Rivets wear at the same rate as wear strips, and will not cut into chains. Easily installed into .257 dia. (F drill), blind or thru hole. Max. continuous service temperature: 180° F. Bags of 100.



Material: Polyamide rivet. Acetal pin.

| Part Number | L | H | Grip (min.) | Grip (max.) |
|-------------|-----|------|-------------|-------------|
| VG-750-10 | .75 | .111 | .188 | .5 |
| VG-750-20 | 1.0 | .111 | .25 | .75 |
| VG-750-30 | 1.5 | .111 | .375 | 1.25 |

Drive Rivets sold in bags of 100.



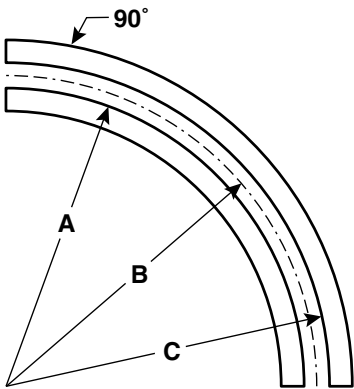
Sprockets, Wear Strips, Chain Guides

Two Piece Curved Wear Strip



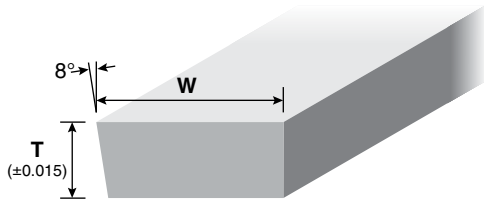
Material: White UHMW (See below for other available materials.)

Sprockets, Wear Strips, Chain Guides

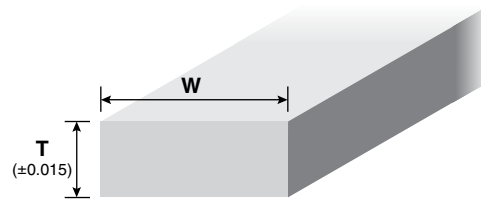


| Bevel | A | B | C | Width | Thickness | Chain# | Chain Clearance | Used With | Manufacturer Recommended Width | Chain Rivet# | |
|--------------|----------|----|----------|-------|-----------|--------|-----------------|------------------------------|--------------------------------|--------------|----------|
| VG-710-U18B3 | 17-3/16 | 18 | 18-13/16 | 1 | 3/8 | | | 879, 880, 881 | 1-5/8 | K 3-1/4 | VG-750-1 |
| VG-710-U24B3 | 23-3/16 | 24 | 24-13/16 | 1 | 3/8 | | | | 1-5/8 | ALL | VG-750-1 |
| VG-710-U30B3 | 29-3/16 | 30 | 30-13/16 | 1-1/2 | 3/8 | | | | 1-5/8 | ALL | VG-750-1 |
| Rectangle | | | | | | | | | | | |
| VG-710-U18R3 | 17-1/8 | 18 | 18-7/8 | 1-1/2 | 3/8 | | | 879, 880, 881 Tab | 1-3/4 | K 3-1/4 | VG-750-1 |
| VG-710-U24R3 | 23-1/8 | 24 | 24-7/8 | 1-1/2 | 3/8 | | | | 1-3/4 | ALL | VG-750-1 |
| VG-710-U30R3 | 29-1/8 | 30 | 30-7/8 | 1-1/2 | 3/8 | | | | 1-3/4 | ALL | VG-750-1 |
| VG-710-U24R5 | 22-55/64 | 24 | 25-9/64 | 1-1/2 | 5/8 | | | 882 Tab, RR 882 | 2-9/32 | ALL | VG-750-2 |
| VG-710-U30R5 | 28-55/64 | 30 | 31-9/64 | 1-1/2 | 5/8 | | | | 2-9/32 | ALL | VG-750-2 |
| VG-710-U18R6 | 17-5/16 | 18 | 18-11/16 | 1-1/2 | 3/4 | | | 1873, 1874, 3873, 4873, 4874 | 1-3/8 | ALL | VG-750-3 |
| VG-710-U24R6 | 23-5/16 | 24 | 24-11/16 | 1-1/2 | 3/4 | | | | 1-3/8 | ALL | VG-750-3 |

Custom Track Request Form



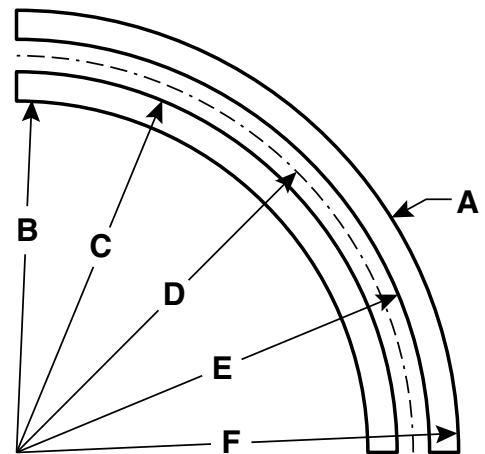
Bevel



Tab

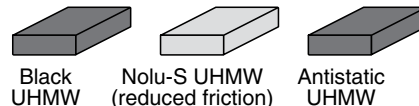
To order custom wear strips, specify the following things:

1. Material _____
2. Thickness of one curve (T) _____
3. Width of one curve (W) _____
4. Angle of curve (A) _____
6. Inside radius of inside curve (B) _____
7. Outside radius of inside curve (C) _____
5. Centerline radius (D) _____
8. Inside radius of outside curve (E) _____
9. Outside radius of outside curve (F) _____
10. Chain part being used _____



Fill out the information in the blanks above and fax to System Plast Customer Service toll free 866-447-6587.

Options available for most wear strips:

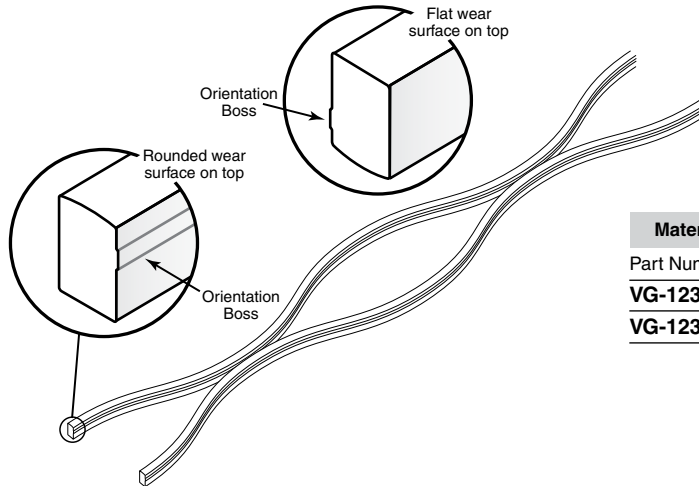
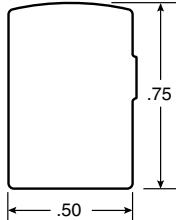




1234-SERP

Serpentine Chain Return

Multi-purpose serpentine chain return profile. Radiused top is ideal for minimal chain contact and reduced friction. If full contact is required, simply invert the profile and use the flat surface.



Material: UHMW.

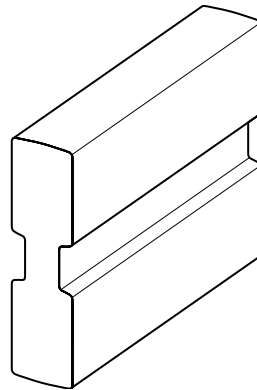
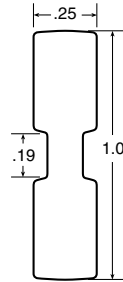
| Part Number | Length (ft.) |
|--------------------------|--------------|
| VG-1234-SERP-10.5 | 10.5 |
| VG-1234-SERP-21 | 21 |

Sprockets, Wear Strips, Chain Guides

25100

Serpentine Chain Return

Multi-purpose serpentine chain return profile. Radiused top is ideal for minimal chain contact and reduced friction.



Material: UHMW.

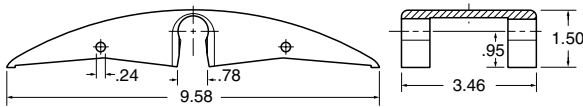
| Part Number | Length (ft.) |
|-------------------------|--------------|
| VG-PCR-25100-21 | 21 |
| VG-PCR-25100-100 | 100 |



650

Chain Return Shoe

Radiused wear shoe for guiding chain or belting into return way. Single or multiple strand capabilities. Black polyamide shoe is designed for use with steel belts and chains. Gray polyethylene shoe is designed for use with plastic belts and chains.

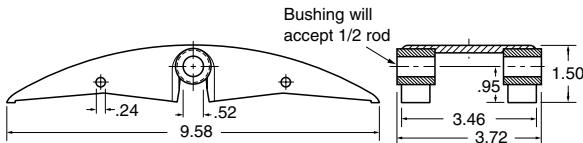


VG-650-A



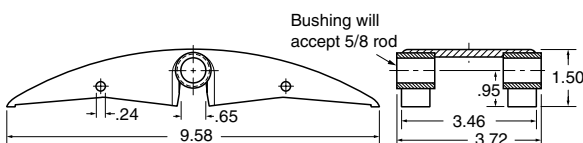
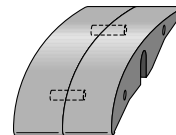
Material: Black polyamide or gray polyethylene.

| Part Number | Color/Material | Ø Bushing |
|--------------------|-----------------|-------------|
| VG-650-A | black/PA | None |
| VG-650-12 | black/PA | 1/2 |
| VG-650-58 | black/PA | 5/8 |
| VG-650PE-A | gray/PE | None |
| VG-650PE-12 | gray/PE | 1/2 |
| VG-650PE-58 | gray/PE | 5/8 |

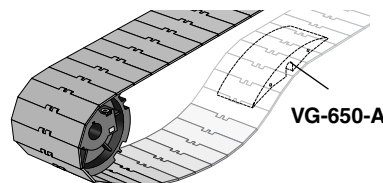


VG-650-12

Chain Return Shoes can be pinned together or gang mounted on common shaft for use with wide metal belts.



VG-650-58



For new or retrofitting existing chain returns, consider the Valu Flex serpentine chain return system. It is a more cost effective, maintenance free and quieter alternative to roller returns. See the Valu Flex section on page 169 for more information.

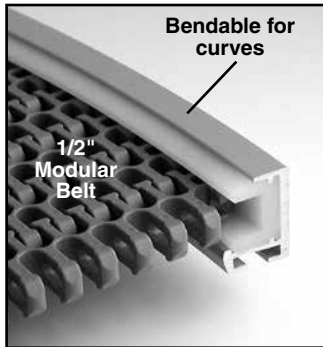
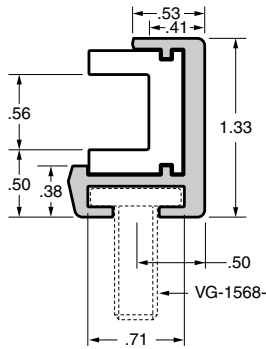


Sprockets, Wear Strips, Chain Guides

MBG

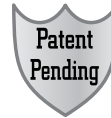
Modular Conveyor Belt Side Guides

Aluminum and UHMW guide rail for use in guiding the sides of selected plastic modular conveyor belts through turns. Ultra-low friction. Top and bottom capture of belt. Custom factory bends can be ordered by contacting the System Plast Engineering Department. Available in 10 ft. lengths. Minimum radius 24" (inside edge). Replaceable UHMW strips.



Material: UHMW insert and aluminum guides.

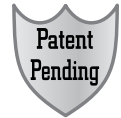
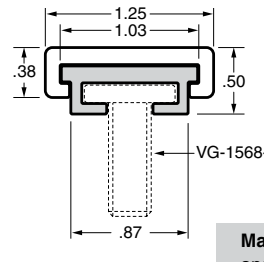
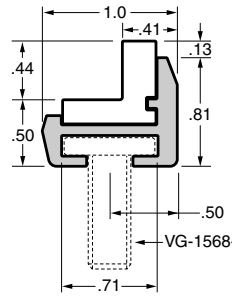
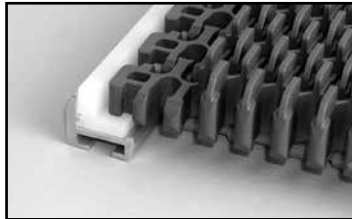
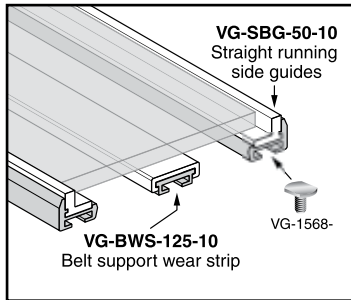
| Part Number | Material | Length (ft.) |
|-------------------------|---------------|--------------|
| VG-MBG-50-NS-10 | Nolu-S | 10 |
| Insert Replacements | | |
| VG-PMBG-50-NS-10 | Nolu-S | 10 |
| VG-PMBG-50-10 | UHMW | 10 |



SBG

Conveyor Belt Side Guides and Wear Strips

Aluminum and UHMW guide rail for use in guiding the sides and supporting the middle of modular conveyor belts. Ultra-low friction bottom and side support of belt. Easily formed into curves with the Valu Guide Rail Bending Machine. Available in 10 ft. lengths. Minimum radius 18" (inside edge). Replaceable UHMW strips.



Material: UHMW insert and aluminum guides.

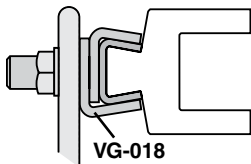
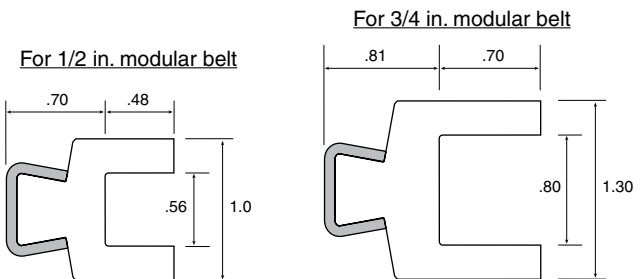
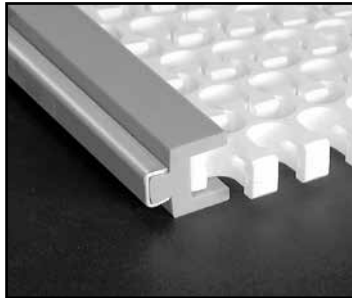
| Part Number | Part Number | Length (ft.) |
|---------------------|----------------------|--------------|
| VG-SBG-50-10 | VG-BWS-125-10 | 10 |

| UHMW Insert Replacement | UHMW Insert Replacement | Length (ft.) |
|-------------------------|-------------------------|--------------|
| VG-PSBG-50-10 | VG-PBWS-125-10 | 10 |

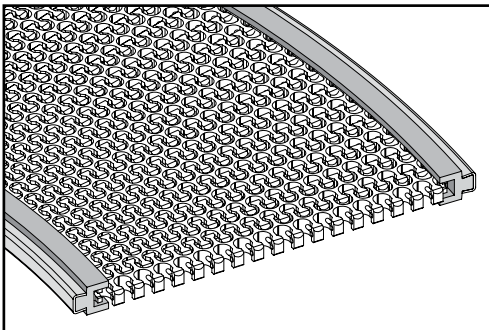
SSUT

Conveyor Belt Side Guides

Guide rail for use in guiding the sides of selected conveyor belts. Ultra-low friction. Easily formed into corners with the Valu Guide Rail Bending Machine.



VG-SSUT Guide Rail can be mounted with Valu Guide rail clamps.



Material: Self-lubricating Nolu-S UHMW insert and stainless steel sheath, 14 gauge.

| Part Number | Belt Thickness | Length (ft.) |
|--------------------------|----------------|--------------|
| VG-SSUT-1.00-S-10 | 1/2" | 10 |
| VG-SSUT-1.30-S-10 | 3/4" | 10 |

Nolu-S is a proprietary alloy of food grade lubricants combined with UHMW. This creates a material which retains most of the properties of UHMW while significantly reducing friction. Nolu-S advantages include protection of expensive mating surfaces, lower noise levels and FDA and USDA approved ingredients.

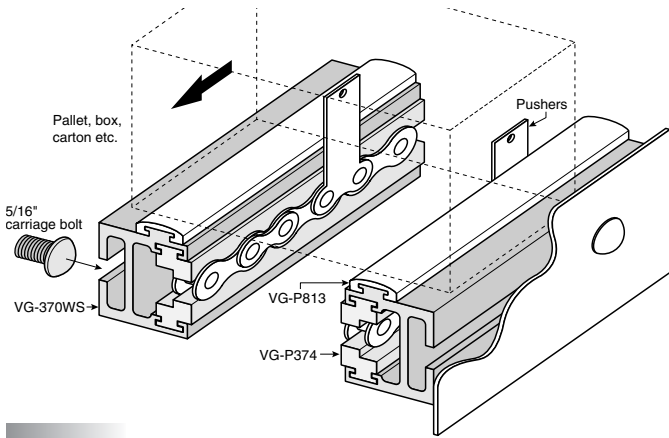


Aluminum Channel Chain Guides

These aluminum extrusions with plastic wear strip inserts are designed to be roller chain guides with structural rigidity. The plastic inserts allow for the economical replacement of the chain guide wear surface without replacing the entire rail. These units will guide various ANSI roller chain sizes, depending upon the plastic insert used.

The insert is produced from Nolu-GR, a UHMW product preferred for typical chain guiding applications. Standard color is green. Also, UHMW cover profiles can be fitted onto some aluminum designs to act as a low friction, long wearing, guiding surface.

Sprockets, Wear Strips, Chain Guides



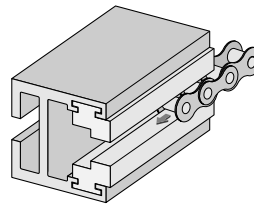
370

Chain Guide Assembly

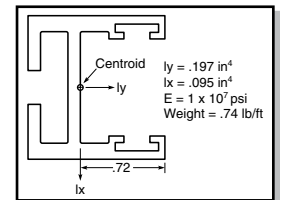
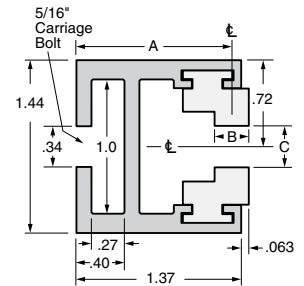
Assembly includes aluminum extrusion and wear strips. These units can be configured to accept #40, #50 or #60 ANSI roller chains.

Material: Guide: aluminum. Insert: green UHMW.

| 8ft. Part Number | 10ft. Part Number | 12ft. Part Number | 20ft. Part Number | A | B | C | Chain# |
|------------------|-------------------|-------------------|-------------------|------|-----|-----|--------|
| VG-370-40-8 | VG-370-40-10 | VG-370-40-12 | VG-370-40-20 | 1.28 | .29 | .35 | 40 |
| VG-370-50-8 | VG-370-50-10 | VG-370-50-12 | VG-370-50-20 | 1.25 | .35 | .41 | 50 |
| VG-370-60-8 | VG-370-60-10 | VG-370-60-12 | VG-370-60-20 | 1.19 | .47 | .48 | 60 |



Note: Pinning of inserts at leading edge is recommended.



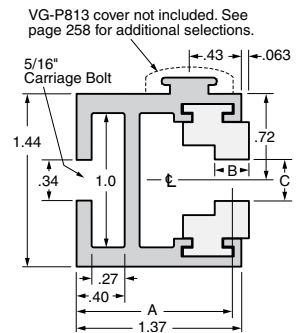
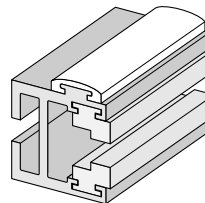
370WS

Chain Guide Assembly with Wear Strip

Assembly includes aluminum extrusion and wear strips. These units can be configured to accept #40, #50 or #60 ANSI roller chains.

Material: Guide: aluminum. Insert: green UHMW.

| 8ft. Part Number | 10ft. Part Number | 12ft. Part Number | 20ft. Part Number | A | B | C | Chain# |
|------------------|-------------------|-------------------|-------------------|------|-----|-----|--------|
| VG-370WS-40-8 | VG-370WS-40-10 | VG-370WS-40-12 | - | 1.28 | .29 | .35 | 40 |
| VG-370WS-50-8 | VG-370WS-50-10 | VG-370WS-50-12 | VG-370WS-50-20 | 1.25 | .35 | .41 | 50 |
| VG-370WS-60-8 | VG-370WS-60-10 | VG-370WS-60-12 | VG-370WS-60-20 | 1.19 | .47 | .48 | 60 |



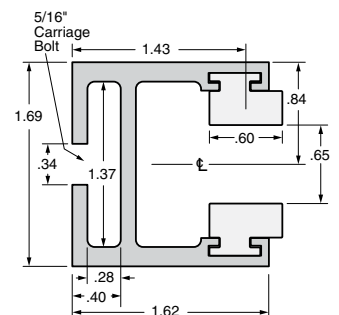
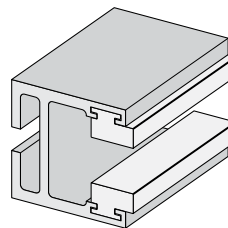
340-80

Chain Guide Assembly

Assembly includes aluminum extrusion and wear strips. These units can be configured to accept #80 ANSI roller chains.

Material: Guide: aluminum. Insert: green UHMW.

| 8ft. Part Number | 10ft. Part Number | 12ft. Part Number | 20ft. Part Number | Chain# |
|------------------|-------------------|-------------------|-------------------|--------|
| - | VG-340-80-10 | - | VG-340-80-20 | 80 |





Sprockets, Wear Strips, Chain Guides

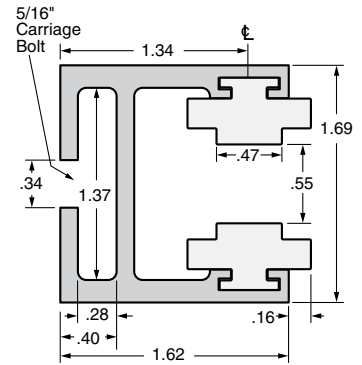
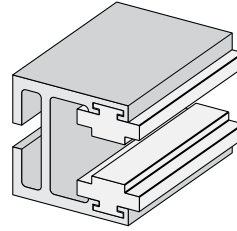
340-PC

Chain Guide Assembly

Assembly includes aluminum extrusion and wear strips. Special chain track designed for use in can making systems to guide #60 high speed extended pin chain.

Material: Guide: aluminum. Insert: green UHMW.

| 8ft. Part Number | 10ft. Part Number | Chain# |
|------------------|-------------------|--------|
| VG-340-PC-60-8 | VG-340-PC-60-10 | 60 |



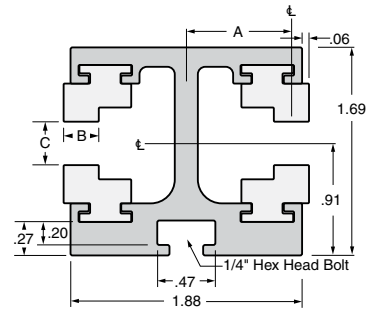
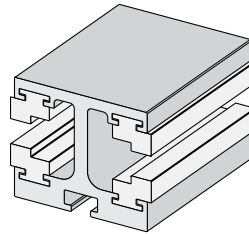
360

Double Chain Guide Assembly

Assembly includes aluminum extrusion and wear strips. These units can be configured to accept #40, #50 or #60 ANSI roller chains.

Material: Guide: aluminum. Insert: green UHMW.

| 10ft. Part Number | 20ft. Part Number | A | B | C | Chain# |
|-------------------|-------------------|-----|-----|-----|--------|
| VG-360-40-10 | VG-360-40-20 | .86 | .29 | .35 | 40 |
| VG-360-50-10 | - | .83 | .35 | .41 | 50 |
| VG-360-60-10 | VG-360-60-20 | .77 | .47 | .48 | 60 |



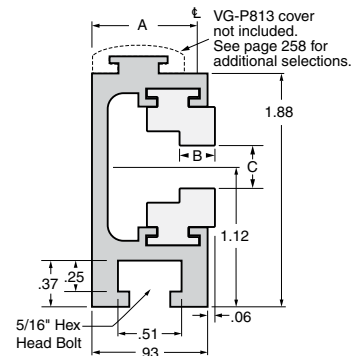
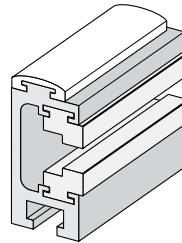
380

Vertical Chain Guide Assembly with Wear Strip

Assembly includes aluminum extrusion and wear strips for roller chain. Outer wear strip attachment is not included. These units can be configured to accept #50 or #60 ANSI roller chains.

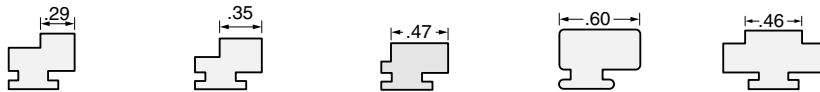
Material: Guide: aluminum. Insert: green UHMW.

| 8ft. Part Number | 10ft. Part Number | 12ft. Part Number | 20ft. Part Number | A | B | C | Chain# |
|------------------|-------------------|-------------------|-------------------|-----|-----|-----|--------|
| VG-380-40-8 | VG-380-40-10 | VG-380-40-12 | VG-380-40-20 | .84 | .29 | .35 | 40 |
| VG-380-50-8 | VG-380-50-10 | VG-380-50-12 | VG-380-50-20 | .81 | .35 | .41 | 50 |
| VG-380-60-8 | VG-380-60-10 | VG-380-60-12 | VG-380-60-20 | .75 | .47 | .48 | 60 |



P300 series

UHMW Inserts



Material: Green UHMW.

| Part Number | Part Number | Part Number | Part Number | Part Number | Length (ft.) |
|-------------|-------------|-------------|-------------|-------------|--------------|
| VG-P374-10 | VG-P375-10 | VG-P376-10 | VG-P379-10 | VG-P378-10 | 10 |
| VG-P374-20 | VG-P375-20 | VG-P376-20 | VG-P379-20 | - | 20 |

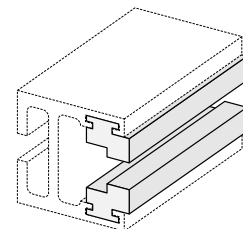
Guides #40 and #2040 ANSI chain. Used with 360, 370, 370WS & 380 series aluminum channel.

Guides #50 and #2050 ANSI chain. Used with 360, 370, 370WS & 380 series aluminum channel.

Guides #60 and #2060 ANSI chain. Used with 360, 370, 370WS & 380 series aluminum channel.

Guides #80 and #2080 ANSI chain. Used with 340 series aluminum channel.

Guides #60 and #2060 ANSI chain. Used with 340-PC series aluminum channel.



Shipping Information: UHMW covers and inserts are typically shipped straight in tubes. 8' lengths can be shipped UPS. Standard 10' or 20' lengths are shipped by common carrier. Selected items can be coiled into cartons for more convenient shipping.



Roller Chain Guide Rail

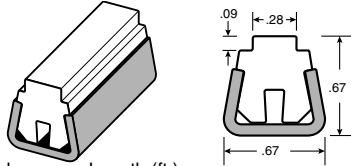


Material: Sheath is 304 stainless steel or galvanized steel, 14 gauge. Insert is UHMW.

#40

Chain Guide

Wear strip and guide for #40 ANSI single roller chains.

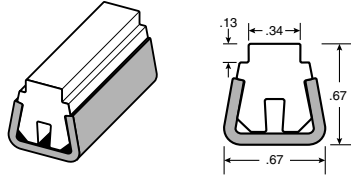


| Stainless | Galvanized | Length (ft.) |
|----------------|----------------|--------------|
| VG-SSCG-#40-8 | VG-GSCG-#40-8 | 8 |
| VG-SSCG-#40-10 | VG-GSCG-#40-10 | 10 |
| VG-SSCG-#40-12 | VG-GSCG-#40-12 | 12 |
| VG-SSCG-#40-20 | VG-GSCG-#40-20 | 20 |

#50

Chain Guide

Wear strip and guide for #50 ANSI single roller chains.

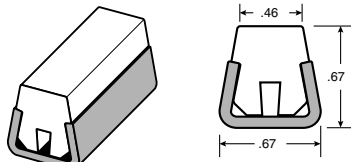


| Stainless | Galvanized | Length (ft.) |
|----------------|----------------|--------------|
| VG-SSCG-#50-8 | VG-GSCG-#50-8 | 8 |
| VG-SSCG-#50-10 | VG-GSCG-#50-10 | 10 |
| VG-SSCG-#50-12 | - | 12 |
| VG-SSCG-#50-20 | VG-GSCG-#50-20 | 20 |

#60

Chain Guide

Wear strip and guide for #60 ANSI single roller chains. Can also be used as side rail or wear strip when a wider surface contact is required.

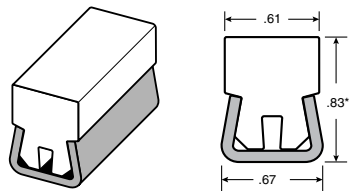


| Stainless | Galvanized | Length (ft.) |
|-----------|------------|--------------|
| VG-SSF-8 | VG-GSF-8 | 8 |
| VG-SSF-10 | VG-GSF-10 | 10 |
| VG-SSF-12 | VG-GSF-12 | 12 |
| VG-SSF-20 | VG-GSF-20 | 20 |

#80

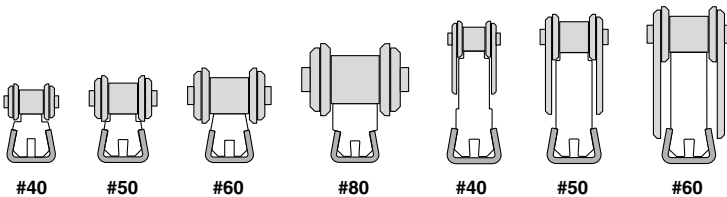
Chain Guide

Wear strip and guide for #80 ANSI single roller chains.



| Stainless | Galvanized | Length (ft.) |
|----------------|----------------|--------------|
| VG-SSCG-#80-8 | VG-GSCG-#80-8 | 8 |
| VG-SSCG-#80-10 | VG-GSCG-#80-10 | 10 |
| VG-SSCG-#80-12 | VG-GSCG-#80-12 | 12 |
| VG-SSCG-#80-20 | VG-GSCG-#80-20 | 20 |

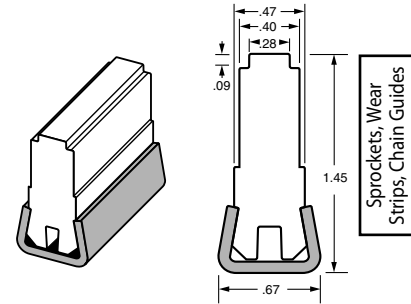
*Tolerance on height is ±0.025.



#40

Extended Chain Guide

Wear strip and guide for #40 ANSI single roller chains.

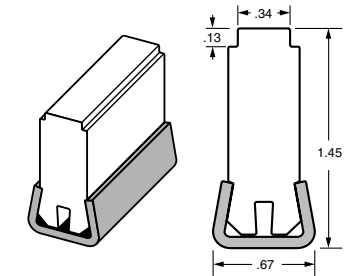


| Stainless | Galvanized | Length (ft.) |
|-----------------|-----------------|--------------|
| VG-SSECG-#40-8 | VG-GSECG-#40-8 | 8 |
| VG-SSECG-#40-10 | VG-GSECG-#40-10 | 10 |
| VG-SSECG-#40-12 | VG-GSECG-#40-12 | 12 |
| VG-SSECG-#40-20 | VG-GSECG-#40-20 | 20 |

#50

Extended Chain Guide

Wear strip and guide for #50 ANSI single roller chains.

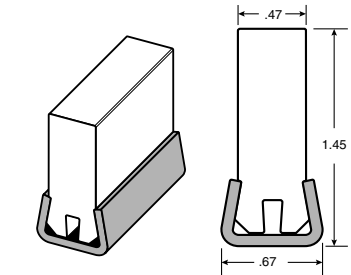


| Stainless | Galvanized | Length (ft.) |
|-----------------|-----------------|--------------|
| VG-SSECG-#50-8 | VG-GSECG-#50-8 | 8 |
| VG-SSECG-#50-10 | VG-GSECG-#50-10 | 10 |
| VG-SSECG-#50-12 | - | 12 |
| VG-SSECG-#50-20 | - | 20 |

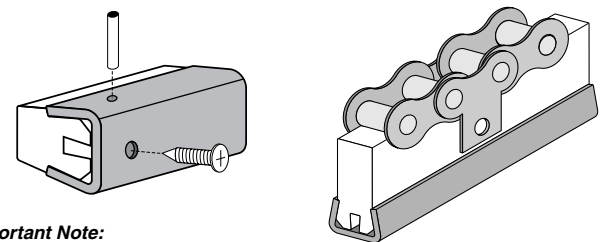
#60

Extended Chain Guide

Wear strip and guide for #60 ANSI single roller chains.



| Stainless | Galvanized | Length (ft.) |
|-----------------|-----------------|--------------|
| VG-SSECG-#60-8 | VG-GSECG-#60-8 | 8 |
| VG-SSECG-#60-10 | VG-GSECG-#60-10 | 10 |
| VG-SSECG-#60-12 | VG-GSECG-#60-12 | 12 |
| VG-SSECG-#60-20 | VG-GSECG-#60-20 | 20 |



Important Note:

When Valu Guide Rail is used as a wear strip, the UHMW insert should be fastened to the metal sheath at the leading end of the rail. Using a sheet metal screw through the back of the sheath or a heavy wire pin from the side should be adequate. This will prevent the insert from sliding within the sheath in the event the chain accidentally catches on a leading edge. This also allows for thermal expansion and contraction of the UHMW insert.

SYSTEM PLAST™

Roller Chain Guides



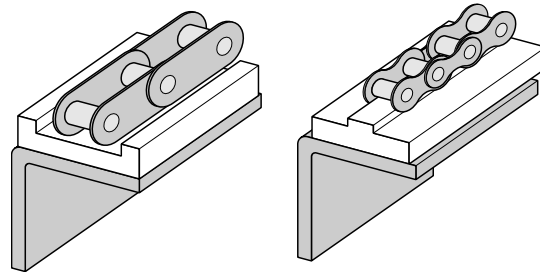
Chain Track

Standard plastic tracks are primarily used to guide and support ANSI double pitch chain in packaging and drag chain conveying systems. Experience has shown that the best way to distribute the load and increase capacity is to support these chains on a flat edge of the side plates. These UHMW based products provide low friction surfaces with outstanding wear resistance when the load is distributed in this manner.

Width Tolerance is ± 0.015 "

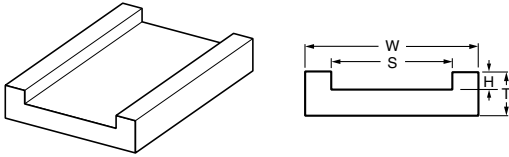
Height Tolerance is ± 0.1 "

Length Tolerance is ± 1.0 "



Sprockets, Wear Strips, Chain Guides

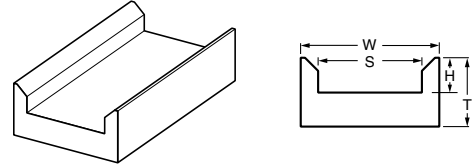
HA



Material: White UHMW or Nolu-S.

| UHMW | Nolu-S | T | W | H | S | Chain Size | Length (ft.) |
|------------|------------|------|-------|------|--------|------------|--------------|
| HA-2040-5 | - | 5/16 | 1-1/4 | 1/8 | 7/8 | 40 | 5 |
| HA-2040-10 | SA-2040-10 | 5/16 | 1-1/4 | 1/8 | 7/8 | 40 | 10 |
| HA-2050-5 | - | 3/8 | 1-1/4 | 5/32 | 1 | 50 | 5 |
| HA-2050-10 | SA-2050-10 | 3/8 | 1-1/4 | 5/32 | 1 | 50 | 10 |
| HA-2060-5 | - | 3/8 | 1-1/2 | 3/16 | 1-1/4 | 60 | 5 |
| HA-2060-10 | SA-2060-10 | 3/8 | 1-1/2 | 3/16 | 1-1/4 | 60 | 10 |
| HA-2080-5 | - | 1/2 | 2 | 1/4 | 1-9/16 | 80 | 5 |
| HA-2080-10 | SA-2080-10 | 1/2 | 2 | 1/4 | 1-9/16 | 80 | 10 |
| HA-2100-10 | SA-2100-10 | 5/8 | 2-1/4 | 5/16 | 1-7/8 | 100 | 10 |
| HA-2120-5 | - | 5/8 | 2-3/4 | 3/8 | 2-1/4 | 120 | 5 |
| HA-2120-10 | SA-2120-10 | 5/8 | 2-3/4 | 3/8 | 2-1/4 | 120 | 10 |

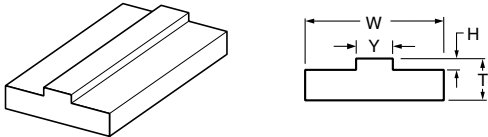
HC



Material: White UHMW or Nolu-S.

| UHMW | Nolu-S | T | W | H | S | Chain Size | Length (ft.) |
|-------------|------------|-----|-------|------|---------|------------|--------------|
| HC-2040-5 | - | 1/2 | 1 | 1/4 | 3/4 | 40 | 5 |
| HC-2040-10 | SC-2040-10 | 1/2 | 1 | 1/4 | 3/4 | 40 | 10 |
| HC-2050-10 | - | 1/2 | 1-1/4 | 9/32 | 1 | 50 | 10 |
| HC-2060-5 | - | 5/8 | 1-1/2 | 5/16 | 1-1/4 | 60 | 5 |
| HC-2060-10 | SC-2060-10 | 5/8 | 1-1/2 | 5/16 | 1-1/4 | 60 | 10 |
| HC-2080-5 | - | 5/8 | 2 | 3/8 | 1-1/2 | 80 | 5 |
| HC-2080-10 | SC-2080-10 | 5/8 | 2 | 3/8 | 1-1/2 | 80 | 10 |
| -HC-2100-10 | - | 3/4 | 2-1/4 | 7/16 | 1-13/16 | 100 | 10 |
| HC-2120-10 | - | 7/8 | 3 | 9/16 | 2-1/4 | 120 | 10 |

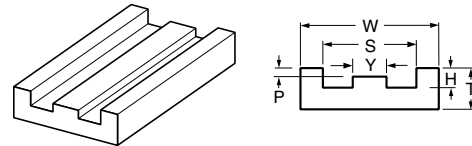
HE



Material: White UHMW or Nolu-S.

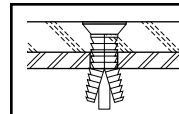
| UHMW | Nolu-S | T | W | H | S | Chain Size | Length (ft.) |
|------------|------------|------|-------|------|-------|------------|--------------|
| HE-2040-5 | - | 5/16 | 1 | .08 | 1/4 | 40 | 10 |
| HE-2040-10 | SE-2040-10 | 5/16 | 1 | .08 | 1/4 | 40 | 10 |
| HE-2050-5 | SE-2050-5 | 5/16 | 1-1/4 | .10 | 5/16 | 50 | 10 |
| HE-2050-10 | SE-2050-10 | 5/16 | 1-1/4 | .10 | 5/16 | 50 | 10 |
| HE-2060-5 | SE-2060-5 | 5/16 | 1-1/4 | .115 | 7/16 | 60 | 10 |
| HE-2060-10 | SE-2060-10 | 5/16 | 1-1/4 | .115 | 7/16 | 60 | 10 |
| HE-2080-5 | SE-2080-5 | 3/8 | 1-1/2 | .13 | 9/16 | 80 | 10 |
| HE-2080-10 | SE-2080-10 | 3/8 | 1-1/2 | .13 | 9/16 | 80 | 10 |
| HE-2100-10 | SE-2100-10 | 1/2 | 2 | .21 | 11/16 | 100 | 10 |

HG



Material: White UHMW or Nolu-S.

| UHMW | Nolu-S | T | W | H | P | S | Y | Chain Size | Length (ft.) |
|------------|------------|------|-------|------|------|--------|------|------------|--------------|
| HG-2040-5 | - | 5/16 | 1 | .14 | .08 | 11/16 | 1/4 | 40 | 5 |
| HG-2040-10 | - | 5/16 | 1 | .14 | .08 | 11/16 | 1/4 | 40 | 10 |
| HG-2050-5 | SG-2050-5 | 3/8 | 1-1/4 | 3/16 | .10 | 13/16 | 5/16 | 50 | 5 |
| HG-2050-10 | SG-2050-10 | 3/8 | 1-1/4 | 3/16 | .10 | 13/16 | 5/16 | 50 | 10 |
| HG-2060-5 | SG-2060-5 | 1/2 | 1-1/2 | .213 | .115 | 1-1/8 | 7/16 | 60 | 5 |
| HG-2060-10 | SG-2060-10 | 1/2 | 1-1/2 | .213 | .115 | 1-1/8 | 7/16 | 60 | 10 |
| HG-2080-5 | SG-2080-5 | 1/2 | 2 | 1/4 | .13 | 1-7/16 | 9/16 | 80 | 5 |
| HG-2080-10 | SG-2080-10 | 1/2 | 2 | 1/4 | .13 | 1-7/16 | 9/16 | 80 | 10 |



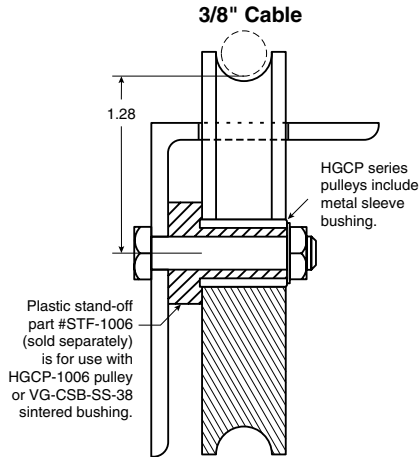
See page 185 for VG-750 drive rivet fastening method.



HGCP

Cable Pulley with Metal Sleeve Bushing

Made from a special grade of UHMW polymer to produce a tough, abrasion resistant, low friction pulley that provides long corrosion free service with a significant reduction in noise levels. Custom designs available. Shown is a standard 3/8" cable pulley with different mounting bolt diameters. Pulleys are supplied with a stainless steel powdered metal sleeve to form an axle after assembly. A nut, bolt and washer can be supplied if needed.



Material: Green UHMW.

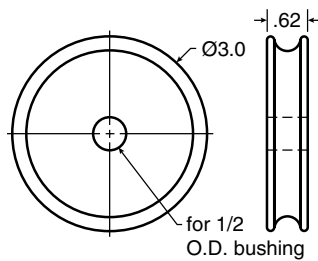
| Part Number | Ø Bolt |
|------------------|-------------|
| HGCP-1004 | 1/4 |
| HGCP-1005 | 5/16 |
| HGCP-1006 | 3/8 |

Sprockets, Wear Strips, Chain Guides

CS

Cable Pulley Only

Corrosion resistant and long lasting design offers quiet and smooth operation. An ideal replacement for all types of cable conveyors. The pulleys are available with a variety of stainless steel bushings.



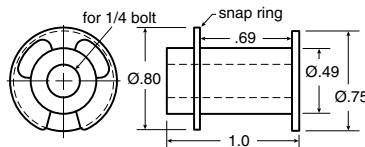
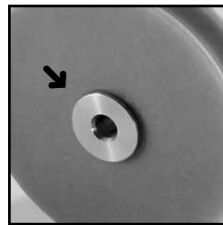
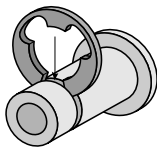
Material: Green UHMW.

| Part Number | Ø Bolt |
|------------------|--------|
| VG-CS-3.0 | |

CSFB

Machined Bushing

1/4 bolts only. Snap rings included.



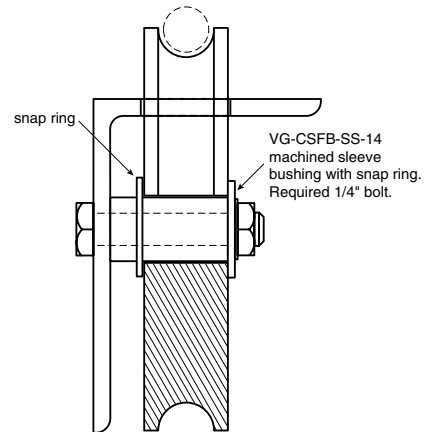
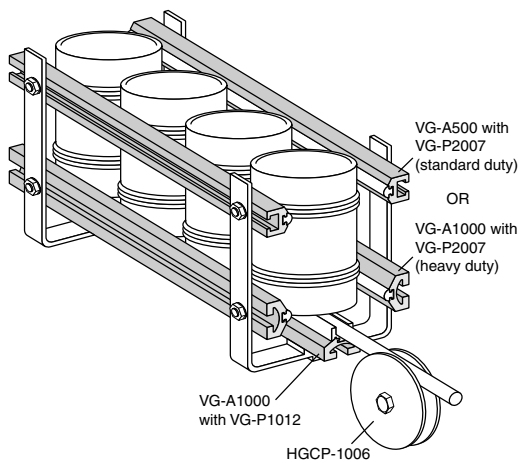
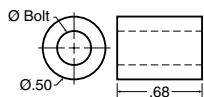
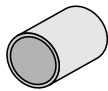
Material: 303 stainless steel.

| Part Number | Ø Bolt |
|----------------------|------------|
| VG-CSFB-SS-14 | 1/4 |

CSB

Sintered Bushing

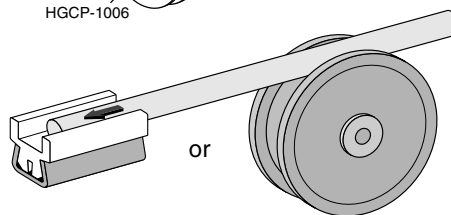
VG-CSB-SS-38 is for use with flanged spacer.



Material: Sintered stainless steel.

| Part Number | Ø Bolt |
|----------------------|-------------|
| VG-CSB-SS-14 | 1/4 |
| VG-CSB-SS-516 | 5/16 |
| VG-CSB-SS-38 | 3/8 |

See page 194 for more information on cable track profiles.



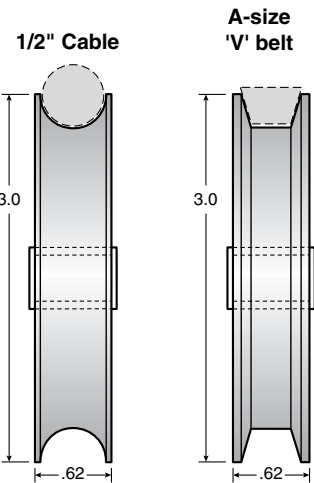


Additional Cable Pulley Sizes

Made from a special grade of UHMW polymer to produce a tough, abrasion resistant, low friction pulley that provides long corrosion free service with a significant reduction in noise levels. A stainless steel powdered metal sleeve to form an axle after assembly is supplied. Pulleys can also be designed to your specifications by contacting our engineering department.

Material: Green UHMW.

| 1/2" Cable Part Number | A-size V-belt Part Number | Ø Bolt |
|------------------------|---------------------------|--------|
| HGCP-12-1004 | - | 1/4 |
| HGCP-12-1005 | HGCP-AV-1005 | 5/16 |
| HGCP-12-1006 | HGCP-AV-1006 | 3/8 |

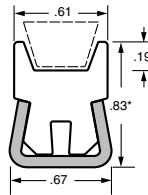
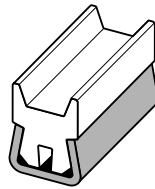


Sprockets, Wear Strips, Chain Guides

VBG-.61

V-Belt Guide

Wear strip and guide for "A" section Vee belts.



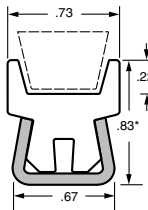
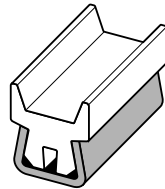
Material: Sheath is 304 stainless steel or galvanized steel, 14 gauge. Insert is UHMW.

| Steel Sheath | | Length **(ft.) |
|------------------|------------------|----------------|
| Stainless | Galvanized | |
| VG-SSVBG-.61A-8 | VG-GSVBG-.61A-8 | 8 |
| VG-SSVBG-.61A-10 | VG-GSVBG-.61A-10 | 10 |
| VG-SSVBG-.61A-12 | - | 12 |
| VG-SSVBG-.61A-20 | VG-GSVBG-.61A-20 | 20 |

VBG-.75

V-Belt Guide

Wear strip and guide for "B" section Vee belts.

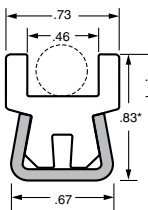
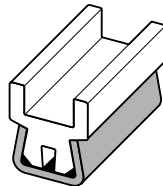


| | | |
|------------------|------------------|----|
| VG-SSVBG-.75B-8 | VG-GSVBG-.75B-8 | 8 |
| VG-SSVBG-.75B-10 | VG-GSVBG-.75B-10 | 10 |
| VG-SSVBG-.75B-12 | VG-GSVBG-.75B-12 | 12 |
| VG-SSVBG-.75B-20 | VG-GSVBG-.75B-20 | 20 |

CT

Cable Track

A positive guide and wear surface for 3/8 dia. cable track runs. Replaces the cable pulleys on the working side of the cable.

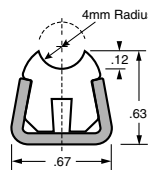
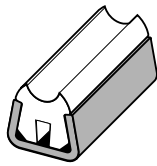


| | | |
|------------|------------|----|
| VG-SSCT-8 | VG-GSCT-8 | 8 |
| VG-SSCT-10 | VG-GSCT-10 | 10 |
| VG-SSCT-12 | VG-GSCT-12 | 12 |
| VG-SSCT-20 | VG-GSCT-20 | 20 |

RBG

Round Belt Guide

Support for 8mm diameter cable. Provides positive tracking for cables used in conveying light containers.



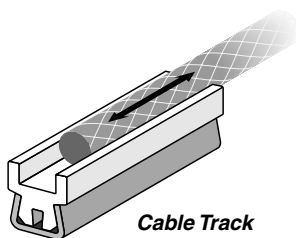
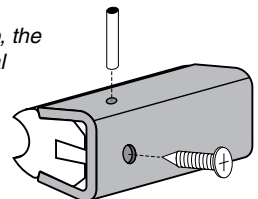
| | | |
|-------------|-------------|----|
| VG-SSRBG-8 | VG-GSRBG-8 | 8 |
| VG-SSRBG-10 | - | 10 |
| VG-SSRBG-12 | VG-GSRBG-12 | 12 |
| VG-SSRBG-20 | VG-GSRBG-20 | 20 |

*Tolerance on height is ±0.025.

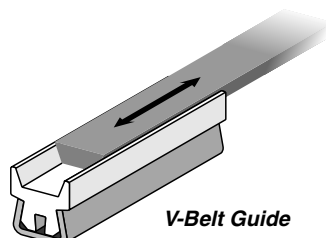
**4, 5 and 6 ft. lengths are also available. Other lengths can be cut to order.

Important Note:

When Valu Guide Rail is used as a wear strip, the UHMW insert should be fastened to the metal sheath at the leading end of the rail. Using a sheet metal screw through the back of the sheath or a heavy wire pin from the side should be adequate. This will prevent the insert from sliding within the sheath in the event the chain accidentally catches on a leading edge. This also allows for thermal expansion and contraction of the UHMW insert.



Cable Track

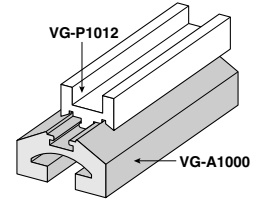
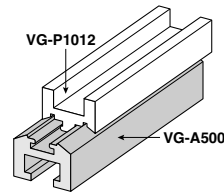


V-Belt Guide

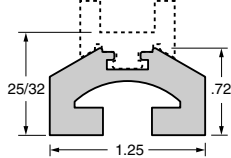
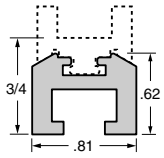


Cable Guides

The following aluminum extrusions can be used with the UHMW insert listed in this group. These rails are commonly used as cable guides for conveying. Part number VG-A500 fastens with a 5/16 hex head bolt, and part number VG-A1000 fastens with a 3/8 carriage bolt (bolts not included).



Sprockets, Wear Strips, Chain Guides



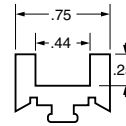
Material: Aluminum.

Length (ft.)

| | | |
|------------|-------------|----|
| VG-A500-10 | VG-A1000-10 | 10 |
| VG-A500-20 | VG-A1000-20 | 20 |

Also shown on page 257.

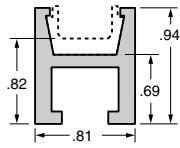
Also shown on page 257.



Material: UHMW.

Length (ft.)

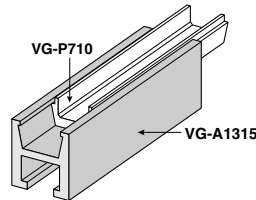
| | |
|-------------|----|
| VG-P1012-10 | 10 |
| VG-P1012-20 | 20 |



Material: Aluminum.

Length (ft.)

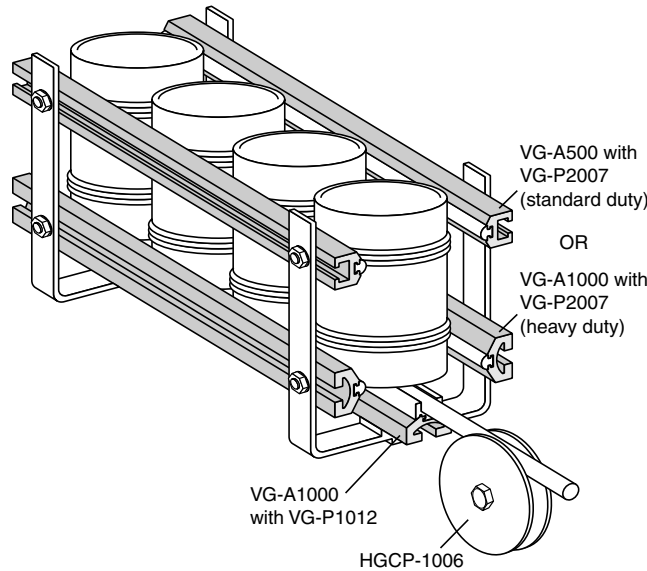
| | |
|-------------|----|
| VG-A1315-10 | 10 |
| VG-A1315-20 | 20 |



Material: UHMW.

Length (ft.)

| | |
|------------|----|
| VG-P710-10 | 10 |
| VG-P710-20 | 20 |



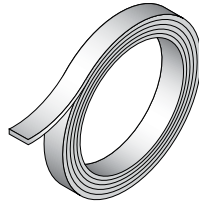


Sprockets, Wear Strips, Chain Guides

VGT

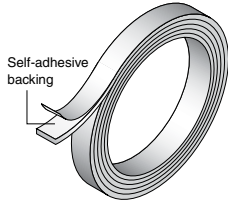
Standard UHMW Coiled Strip

Available in standard 50ft. rolls. Longer lengths available. Fast UPS shipping. Easy to cut, no saw required. Easy to install. Rivets can be used with 1/8" material.



Adhesive Backed UHMW Coiled Strip

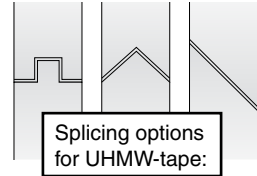
Allows strip to be quickly and easily mounted.



Material: UHMW or Nolu-S UHMW in 50 ft. coils

| Standard coiled strip | Adhesive backed coiled strip | Thickness (in.) | Width (in.) |
|-----------------------|------------------------------|-----------------|-------------|
| VGT-0612-050 | VGT-0612PS-050 | 1/16 | 3/4 |
| VGT-0616-050 | VGT-0616PS-050 | 1/16 | 1 |
| VGT-0624-050 | VGT-0624PS-050 | 1/16 | 1-1/2 |
| VGT-0632-050 | VGT-0632PS-050 | 1/16 | 2 |
| VGT-1212-050 | VGT-1212PS-050 | 1/8 | 3/4 |
| VGT-1216-050 | VGT-1216PS-050 | 1/8 | 1 |
| VGT-1224-050 | VGT-1224PS-050 | 1/8 | 1-1/2 |
| VGT-1232-050 | VGT-1232PS-050 | 1/8 | 2 |

Note: Maximum thickness for all UHMW coiled strips is 1/8". *Other sizes available as special order.

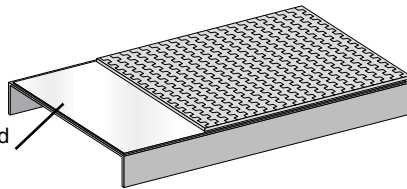
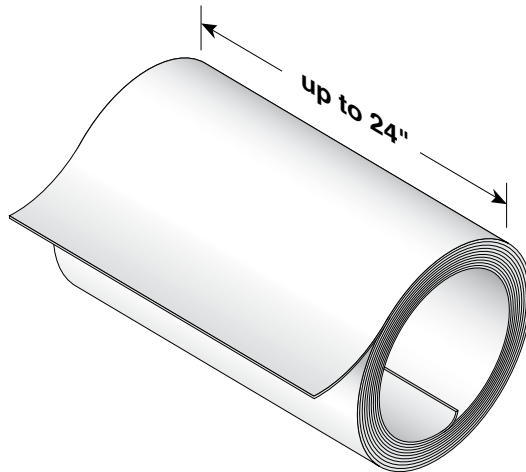


Splicing options for UHMW-tape:

VGRU

Roll UHMW

Available in standard 50 ft. rolls. Longer lengths and other materials available. Rivets can be used with 1/8" material.

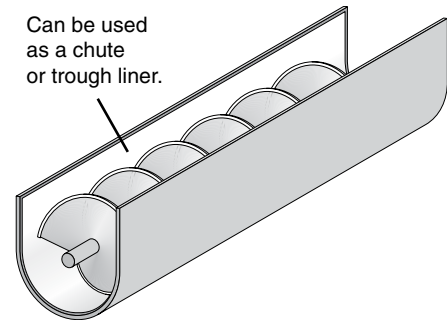


Can be used as a wear bed for wide conveyor belting.

Material: UHMW or Nolu-S UHMW in 50 ft. coils

| Standard UHMW | Thickness (in.) | Width (in.) |
|----------------|-----------------|-------------|
| VGRU-116-6-50 | 1/16 | 6 |
| VGRU-116-12-50 | 1/16 | 12 |
| VGRU-116-18-50 | 1/16 | 18 |

Can be used as a chute or trough liner.

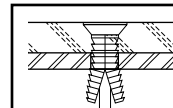


Recommendations for Pressure Sensitive Tape Application

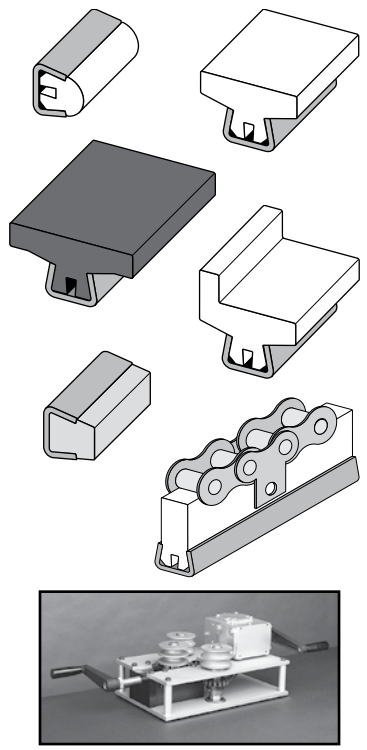
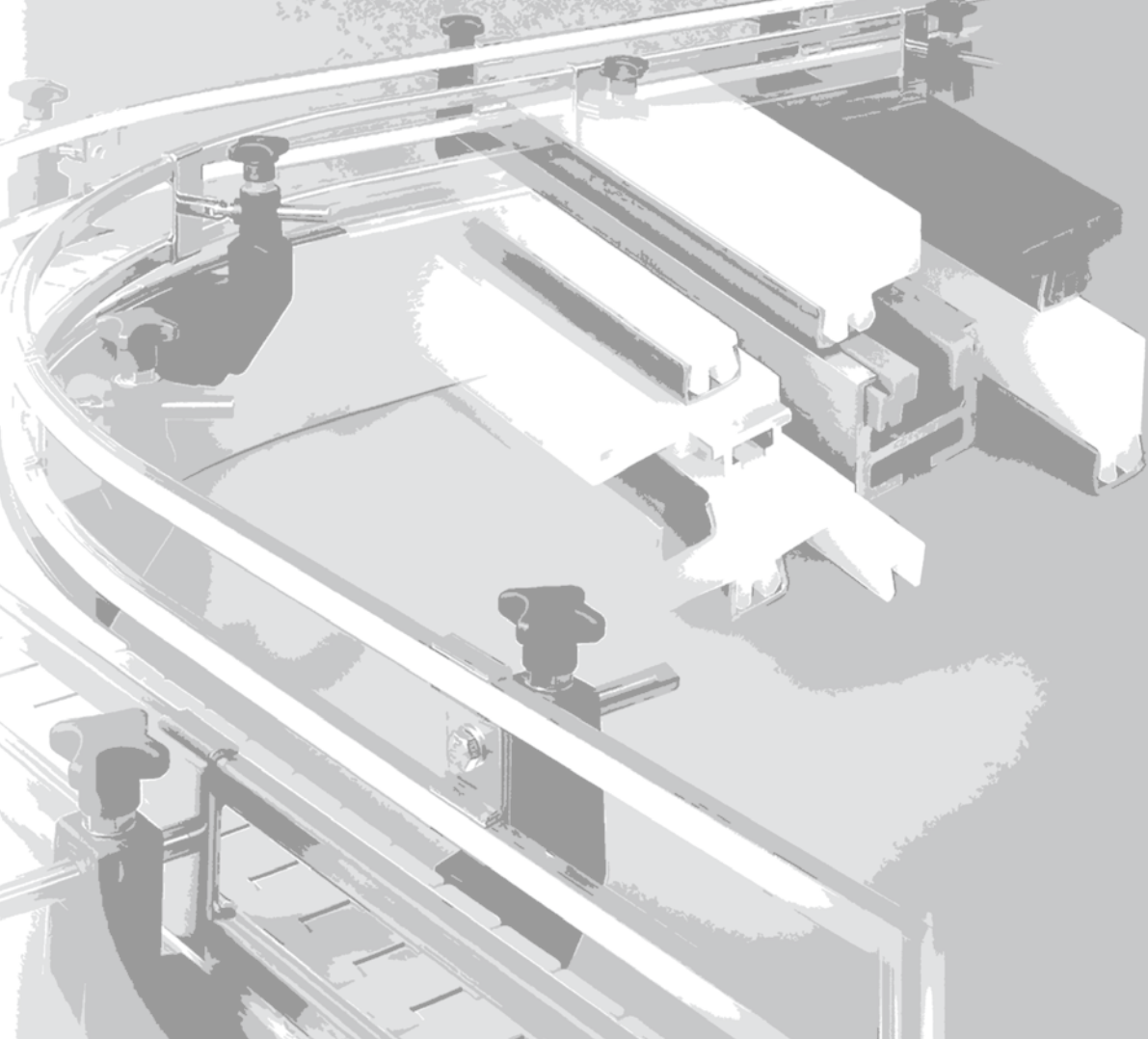
Proper surface preparation is the most critical element in the laminating operation. Adhesives used with pressure sensitive tapes are subject to breakdown when in contact with contaminated surfaces. A conscientious effort on the part of the installer is required. The substrate should be as smooth and clean as possible. To prepare the substrate for bonding, wipe with a clean cloth containing a totally evaporating solvent, such as lacquer thinner. Turn the cloth frequently to avoid recontaminating the surface. When clean and dry, apply the pressure sensitive adhesive system. A j-roller should be used to assure pressure is applied for proper adhesion. Once the release liner has been removed from the tape, avoid contact with the adhesion. Clean hands are also recommended. NOTE: Must be applied at a temperature above 50 degrees F.

Removing or Replacing UHMW

Pry up a corner of UHMW with a screwdriver and peel plastic strip up using a pliers or vise grip. Remove residual adhesive using a clean rag and solvent such as lacquer thinner or permissible solvent. Since the adhesive has a .5 mil mylar liner, some mild scraping or scouring may be required. The remaining adhesive can be removed by wiping with a rag and solvent. Make sure surface is clean and dry before applying new UHMW.



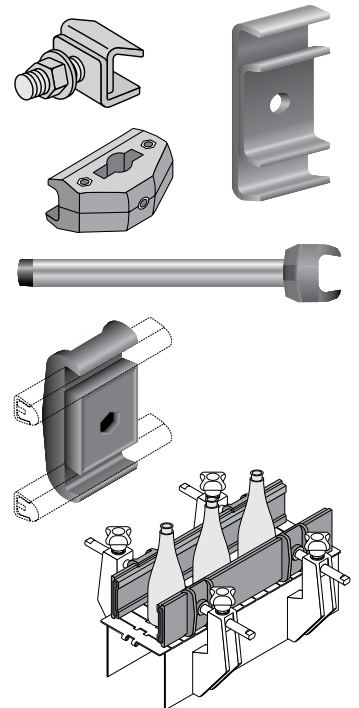
See page 185 for VG-750 drive rivet fastening method.



Valu Guide
Rails Page 200
 Side guide rails
 Tee guide rails
 Chain guide rails
 Specialty guide rail
 PolyGlide
 Lane dividers
 Bending Machine

GUIDE RAILS AND HARDWARE

Section 3

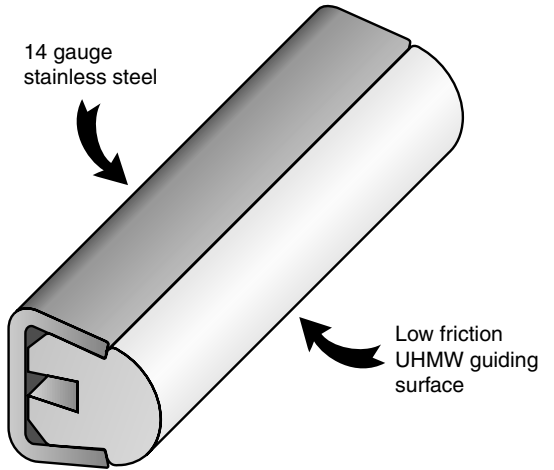


Guide Rail
Hardware Page 224
 Single rail clamps
 Double rail clamps
 Rail splicing
 Rail clips
 Clamps with rods
 Rod ends

VALU GUIDE®

The Original, Long Life Sanitary Guide Rail

Valu Guide rail incorporates two outstanding materials: stainless steel and UHMW. The 14 ga. stainless steel sheath provides rigid streamlined support for heavy loads at any speed, plus a solid connecting point for holding the rail in place with clamps and brackets.

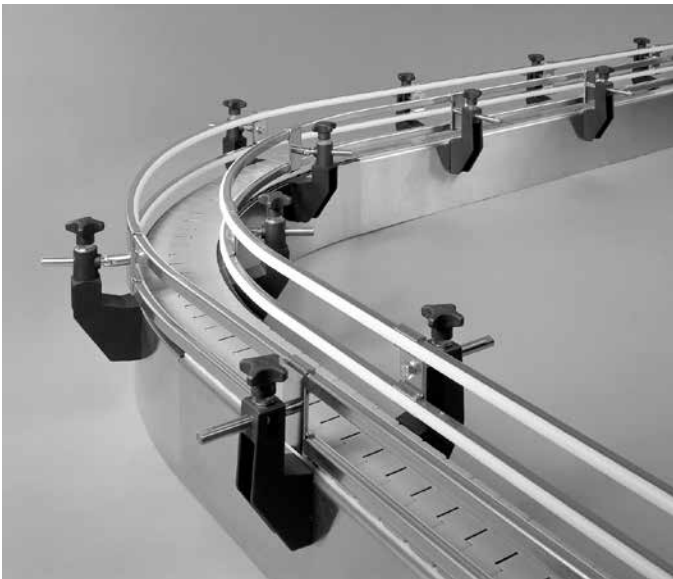
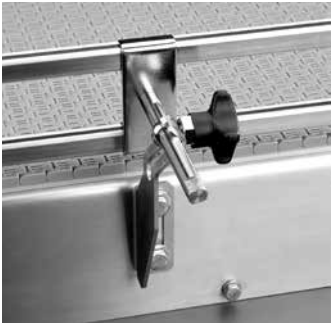


The UHMW guiding surface is available in a wide selection of shapes. The very low friction characteristics of UHMW allow containers to move at high speed with a minimum of drag, container damage, and noise.

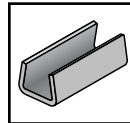
Many Valu Guide materials are approved by the FDA and accepted for use in USDA inspected facilities.



Guide Rails
and Hardware



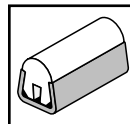
Valu Guide Sheaths



Stainless Steel -

Valu Guide rail sheaths are typically stainless steel, used for its excellent resistance to corrosion and long lasting attractive appearance. 316 stainless steel is available for even greater corrosion protection. Galvanized steel can be ordered as an economical alternative to stainless steel.

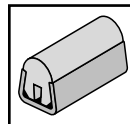
Valu Guide Inserts



Natural UHMW - Translucent white.

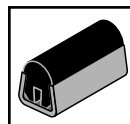
Valu Guide's manufacturing process allows the use of UHMW without additives or other processing chemicals. The result is a material that resists abrasion better, is more color stable (less prone to yellowing) and of uniform consistency.

Optional Valu Guide Inserts



Nolu-S UHMW - Battleship grey color.

A proprietary alloy of food grade lubricants combined with UHMW. This creates a material which retains most of the properties of UHMW while significantly reducing friction. Nolu-S advantages include protection of expensive mating surfaces, lower noise levels, and FDA and USDA approved ingredients.



Static Dissipating UHMW - Black color.

Valu Guide's special formulation retains the low friction and wear characteristics of UHMW while effectively reducing problems caused by static. See page 212 for specifications.

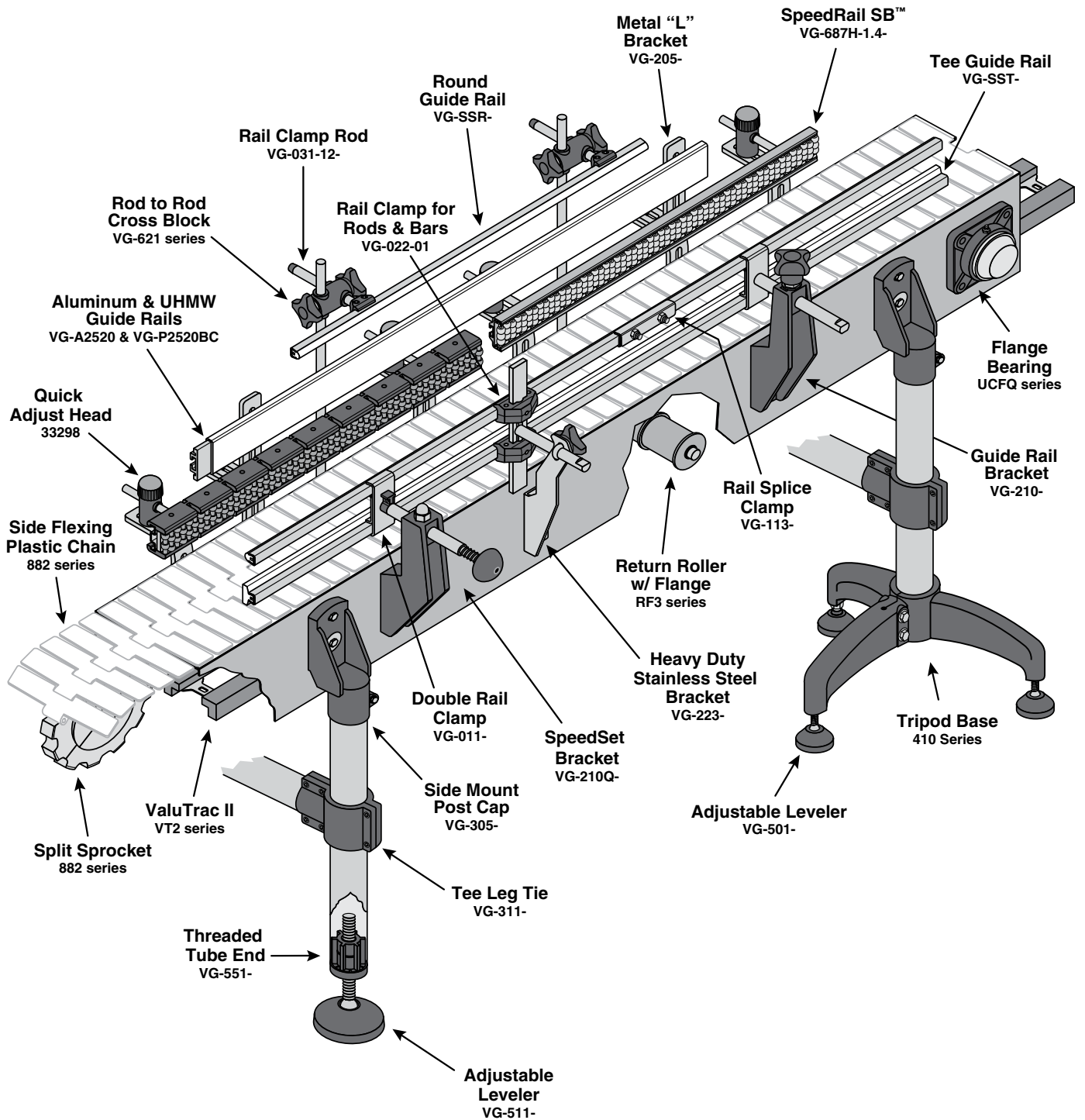
Typical Properties of Valu Guide Rail

| | Unit | UHMW | Stainless Steel |
|---|--------------------|------------------------|------------------------|
| Density | lb/in ³ | .034 | .283 |
| Tensile Strength | PSI | 4,000 - 5,500 | 70,000 |
| Tensile Modulus of Elasticity | PSI | 90,000 | 29,000,000 |
| Dynamic Coefficient of Friction (dry vs. steel) | | .09 - .12 | - |
| Coefficient of Linear Thermal Expansion | in/in/°F | 7.2 x 10 ⁻⁵ | 9.6 x 10 ⁻⁶ |
| Continuous Service Air Temperature (*max.) | °F | 160/180 | - |

**SYSTEM
PLAST™**

©2015 Regal-Beloit Corporation, All Rights Reserved.

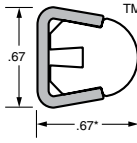
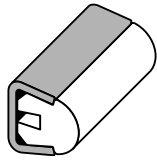
Typical Valu Guide Component Applications



R

Round Rail

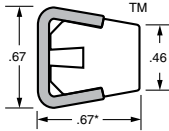
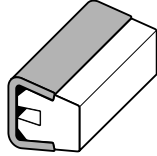
General purpose side rail for minimum container contact.



F

Flat Rail

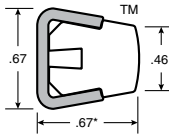
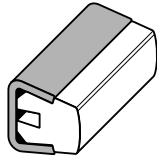
Side rail or wear strip when a wider surface contact is required. Can also be used as a chain guide for #60 roller chain. Also see page 206.



M

Modified Rail

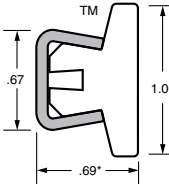
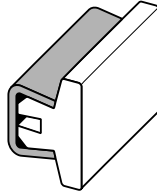
Side rail for soft containers where minimum contact is required in order to prevent damage during higher side loading conditions.



WF

Wide Flat Rail

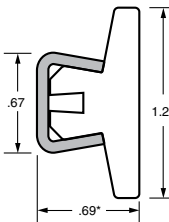
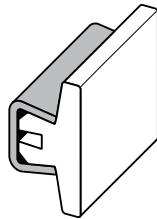
Side rail or wear strip. Can be used in combination with the above rails when a greater contact area is required.



WF-1.25

Wide Flat Rail

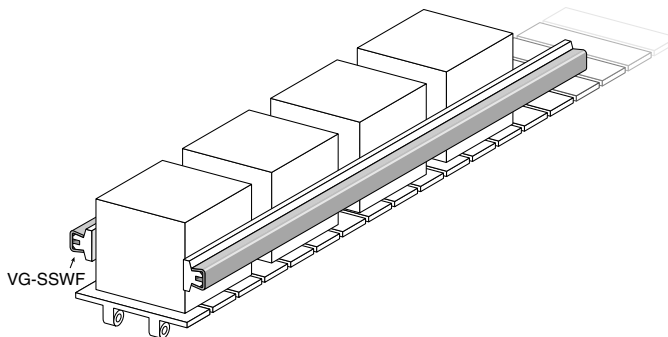
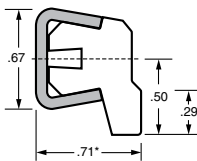
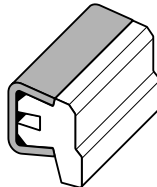
Side rail or wear strip. Can be used in combination with the above rails when a greater contact area is required.



MT

Modified Tee Rail

Side rail when narrow surface contact or control is necessary following application of a label.



Natural White UHMW

Material: UHMW Insert and stainless steel or galvanized steel sheath, 14 gauge.

| Stainless | Galvanized | Length (ft.) |
|------------------|------------------|--------------|
| VG-SSR-8 | VG-GSR-8 | 8 |
| VG-SSR-10 | VG-GSR-10 | 10 |
| VG-SSR-12 | VG-GSR-12 | 12 |
| VG-SSR-20 | VG-GSR-20 | 20 |

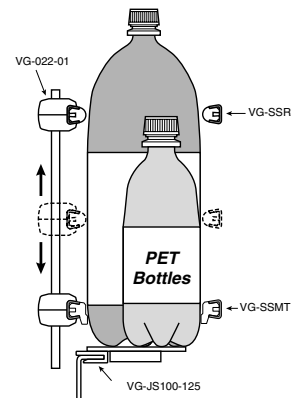
| | | |
|------------------|------------------|-----------|
| VG-SSF-8 | VG-GSF-8 | 8 |
| VG-SSF-10 | VG-GSF-10 | 10 |
| VG-SSF-12 | VG-GSF-12 | 12 |
| VG-SSF-20 | VG-GSF-20 | 20 |

| | | |
|------------------|------------------|-----------|
| VG-SSM-8 | VG-GSM-8 | 8 |
| VG-SSM-10 | VG-GSM-10 | 10 |
| VG-SSM-12 | VG-GSM-12 | 12 |
| VG-SSM-20 | VG-GSM-20 | 20 |

| | | |
|-------------------|-------------------|-----------|
| VG-SSWF-8 | VG-GSWF-8 | 8 |
| VG-SSWF-10 | VG-GSWF-10 | 10 |
| VG-SSWF-12 | VG-GSWF-12 | 12 |
| VG-SSWF-20 | VG-GSWF-20 | 20 |

| | | |
|------------------------|------------------------|-----------|
| VG-SSWF-1.25-8 | VG-GSWF-1.25-8 | 8 |
| VG-SSWF-1.25-10 | VG-GSWF-1.25-10 | 10 |
| VG-SSWF-1.25-12 | - | 12 |
| VG-SSWF-1.25-20 | VG-GSWF-1.25-20 | 20 |

| | | |
|-------------------|-------------------|-----------|
| VG-SSMT-8 | VG-GSMT-8 | 8 |
| VG-SSMT-10 | VG-GSMT-10 | 10 |
| VG-SSMT-12 | VG-GSMT-12 | 12 |
| VG-SSMT-20 | VG-GSMT-20 | 20 |



Guide Rail with Premium UHMW Materials



Gray Nolu-S

Self lubricating Nolu-S UHMW insert and stainless steel sheath, 14 gauge.



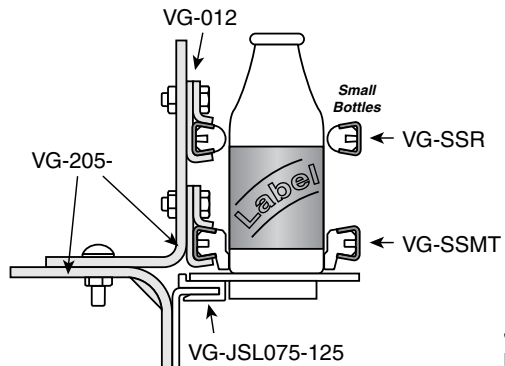
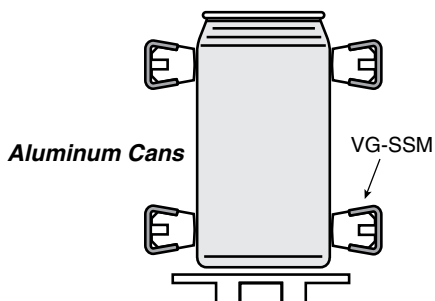
Static Dissipating

Static dissipating UHMW insert and stainless steel sheath, 14 gauge.

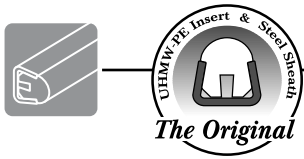
| | | Length (ft.) |
|---------------|--------------------|--------------|
| VG-SSR-NS-8 | VG-SSR-SD-8 | 8 |
| VG-SSR-NS-10 | VG-SSR-SD-10 | 10 |
| VG-SSR-NS-12 | VG-SSR-SD-12 | 12 |
| VG-SSR-NS-20 | VG-SSR-SD-20 | 20 |
| | | |
| VG-SSF-NS-8 | VG-SSF-SD-8 | 8 |
| VG-SSF-NS-10 | VG-SSF-SD-10 | 10 |
| VG-SSF-NS-12 | VG-SSF-SD-12 | 12 |
| VG-SSF-NS-20 | VG-SSF-SD-20 | 20 |
| | | |
| VG-SSM-NS-8 | VG-SSM-SD-8 | 8 |
| VG-SSM-NS-10 | VG-SSM-SD-10 | 10 |
| VG-SSM-NS-12 | VG-SSM-SD-12 | 12 |
| VG-SSM-NS-20 | VG-SSM-SD-20 | 20 |
| | | |
| VG-SSWF-NS-8 | - | 8 |
| VG-SSWF-NS-10 | - | 10 |
| VG-SSWF-NS-12 | - | 12 |
| VG-SSWF-NS-20 | - | 20 |
| | | |
| - | - | 8 |
| - | VG-SSWF-1.25-SD-10 | 10 |
| - | - | 12 |
| - | VG-SSWF-1.25-SD-20 | 20 |
| | | |
| - | VG-SSMT-SD-8 | 8 |
| - | VG-SSMT-SD-10 | 10 |
| - | VG-SSMT-SD-12 | 12 |
| - | VG-SSMT-SD-20 | 20 |

*Tolerance on height is ± 0.025 .

AISI 316 stainless steel are available on a special order basis.



Guide Rails and Hardware



Tee Guide Rail

Valu Guide Tee Guide Rail can be used as a side rail when a larger container contact area is required or as a wear strip for wide metal or plastic belting and slat top chain. These rail shapes are also shown with conveyor chain wear beds on page 176-179.



Natural White UHMW

Material: UHMW Insert and stainless steel or galvanized steel sheath, 14 gauge.

| Stainless | Galvanized | Length (ft.) |
|----------------------|----------------------|--------------|
| VG-SST-.75-8 | VG-GST-.75-8 | 8 |
| VG-SST-.75-10 | VG-GST-.75-10 | 10 |
| VG-SST-.75-12 | VG-GST-.75-12 | 12 |
| VG-SST-.75-20 | VG-GST-.75-20 | 20 |

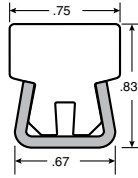
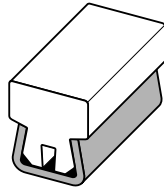
| | | |
|-----------------------|-----------------------|-----------|
| VG-SST-1.00-8 | VG-GST-1.00-8 | 8 |
| VG-SST-1.00-10 | VG-GST-1.00-10 | 10 |
| VG-SST-1.00-12 | VG-GST-1.00-12 | 12 |
| VG-SST-1.00-20 | VG-GST-1.00-20 | 20 |

| | | |
|-----------------------|-----------------------|-----------|
| VG-SST-1.25-8 | VG-GST-1.25-8 | 8 |
| VG-SST-1.25-10 | VG-GST-1.25-10 | 10 |
| VG-SST-1.25-12 | VG-GST-1.25-12 | 12 |
| VG-SST-1.25-20 | VG-GST-1.25-20 | 20 |

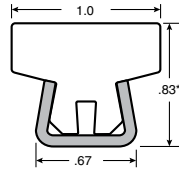
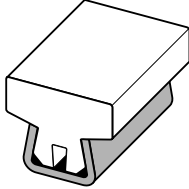
| | | |
|-----------------------|-----------------------|-----------|
| VG-SST-1.60-8 | VG-GST-1.60-8 | 8 |
| VG-SST-1.60-10 | VG-GST-1.60-10 | 10 |
| VG-SST-1.60-12 | VG-GST-1.60-12 | 12 |
| VG-SST-1.60-20 | VG-GST-1.60-20 | 20 |

| | | |
|-----------------------|-----------------------|-----------|
| VG-SST-2.25-8 | VG-GST-2.25-8 | 8 |
| VG-SST-2.25-10 | VG-GST-2.25-10 | 10 |
| VG-SST-2.25-12 | VG-GST-2.25-12 | 12 |
| VG-SST-2.25-20 | VG-GST-2.25-20 | 20 |

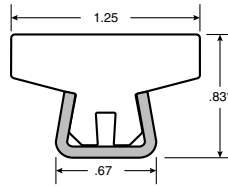
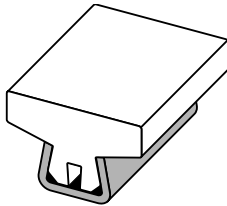
T-.75



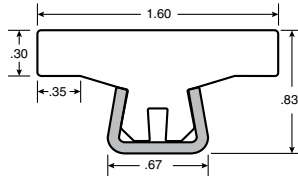
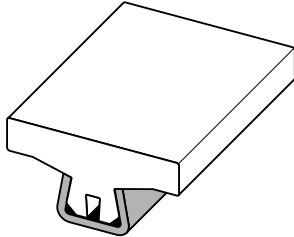
T-1.00



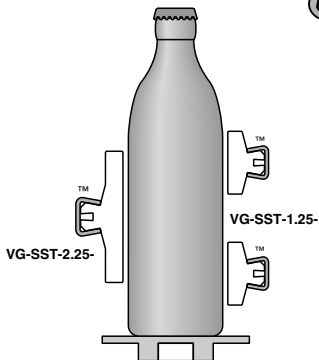
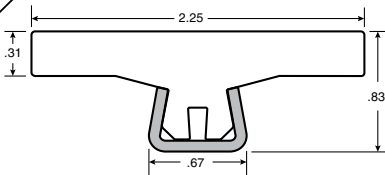
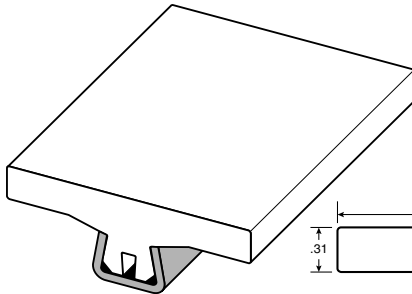
T-1.25



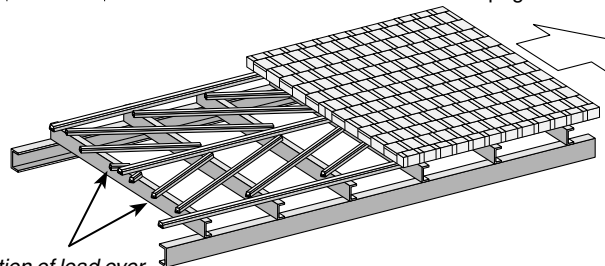
T-1.60



T-2.25



Valu Guide rail can be used to form a wear bed grid for metal or plastic belts. See page 218 for more details.



Note: For even distribution of load over width of belt, use the same type of guide rail through out your application.

Tee Guide Rail with Premium UHMW Materials



Gray Nolu-S

Self lubricating Nolu-S UHMW insert and stainless steel sheath, 14 gauge.



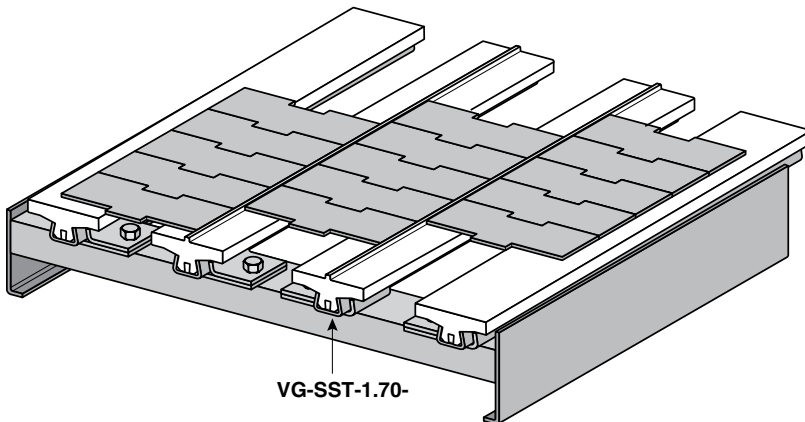
Static Dissipating

Static dissipating UHMW insert and stainless steel sheath, 14 gauge.

| | | Length (ft.) |
|-------------------|-------------------|--------------|
| VG-SST-.75-NS-8 | VG-SST-.75-SD-8 | 8 |
| VG-SST-.75-NS-10 | VG-SST-.75-SD-10 | 10 |
| VG-SST-.75-NS-12 | VG-SST-.75-SD-12 | 12 |
| VG-SST-.75-NS-20 | VG-SST-.75-SD-20 | 20 |
| - | | |
| VG-SST-1.00-NS-8 | VG-SST-1.00-SD-8 | 8 |
| VG-SST-1.00-NS-10 | VG-SST-1.00-SD-10 | 10 |
| VG-SST-1.00-NS-12 | VG-SST-1.00-SD-12 | 12 |
| VG-SST-1.00-NS-20 | VG-SST-1.00-SD-20 | 20 |
| - | | |
| VG-SST-1.25-NS-8 | VG-SST-1.25-SD-8 | 8 |
| VG-SST-1.25-NS-10 | VG-SST-1.25-SD-10 | 10 |
| VG-SST-1.25-NS-12 | VG-SST-1.25-SD-12 | 12 |
| VG-SST-1.25-NS-20 | VG-SST-1.25-SD-20 | 20 |
| - | | |
| VG-SST-1.60-NS-8 | VG-SST-1.60-SD-8 | 8 |
| VG-SST-1.60-NS-10 | VG-SST-1.60-SD-10 | 10 |
| VG-SST-1.60-NS-12 | VG-SST-1.60-SD-12 | 12 |
| VG-SST-1.60-NS-20 | VG-SST-1.60-SD-20 | 20 |
| - | | |
| VG-SST-2.25-NS-8 | VG-SST-2.25-SD-8 | 8 |
| VG-SST-2.25-NS-10 | VG-SST-2.25-SD-10 | 10 |
| VG-SST-2.25-NS-12 | VG-SST-2.25-SD-12 | 12 |
| VG-SST-2.25-NS-20 | VG-SST-2.25-SD-20 | 20 |

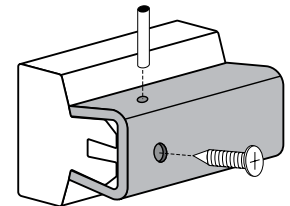
*Tolerance on height is ± 0.02 .

AISI 316 stainless steel are available on a special order basis.

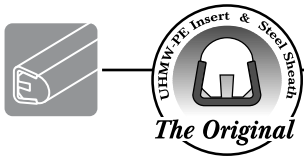


Important Note:

When Valu Guide Rail is used as a wear strip, the UHMW insert should be fastened to the metal sheath at the leading end of the rail. Using a sheet metal screw through the back of the sheath or a heavy wire pin from the side should be adequate. This will prevent the insert from sliding within the sheath in the event the chain accidentally catches on a leading edge. This also allows for thermal expansion and contraction of the UHMW insert.



Guide Rails and Hardware



Tee Guide Rail



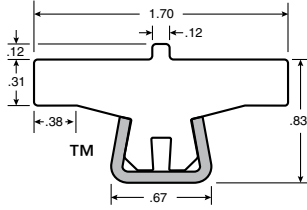
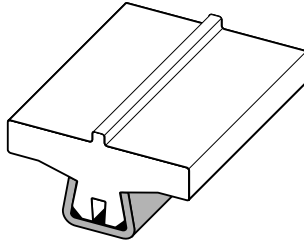
Natural White UHMW

Material: UHMW Insert and stainless steel or galvanized steel sheath, 14 gauge.

T-1.70

Ribbed Tee

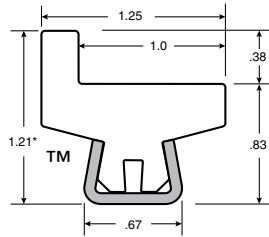
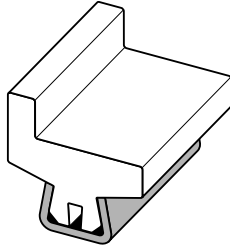
Used as wear strip and support assembly for multi-lane 3/4 in. slat top chain.



LT

Eil Tee

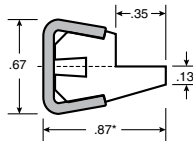
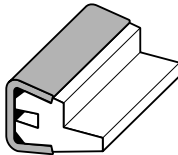
Wear strip and side guide for modular wire belts. Provides positive edge tracking and a low friction, abrasion resistant support.



NG

Neck Guide

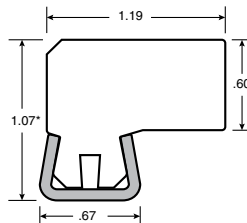
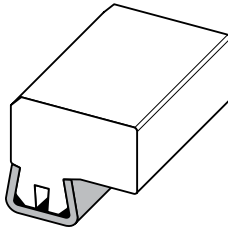
Side rail used as auxiliary support for PET beverage bottles on both table top and air conveyors.



TG-02

Tab Chain Guide

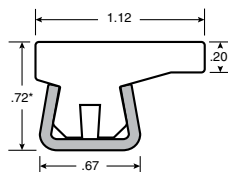
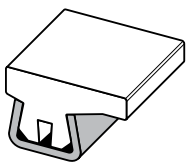
Economical alternative to other chain guiding systems. For use with 882-4-1/2 and 882-LBP-3-3/4 style chains.



TG-03

Tab Chain Guide

Economical alternative to other chain guiding systems. For use with 882-4-1/2 and 882-LBP-3-3/4 style chains.



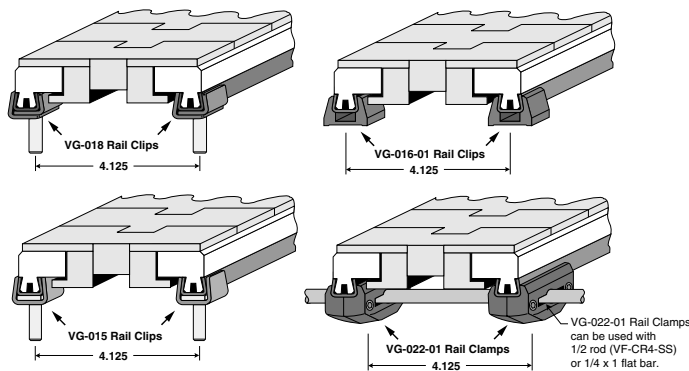
| Stainless | Galvanized | Length (ft.) |
|----------------|----------------|--------------|
| VG-SST-1.70-8 | VG-GST-1.70-8 | 8 |
| VG-SST-1.70-10 | VG-GST-1.70-10 | 10 |
| VG-SST-1.70-12 | - | 12 |
| VG-SST-1.70-20 | - | 20 |

| | | |
|--------------------|--------------------|----|
| VG-SSLT-1.0x.38-8 | VG-GSLT-1.0x.38-8 | 8 |
| VG-SSLT-1.0x.38-10 | VG-GSLT-1.0x.38-10 | 10 |
| VG-SSLT-1.0x.38-12 | VG-GSLT-1.0x.38-12 | 12 |
| VG-SSLT-1.0x.38-20 | VG-GSLT-1.0x.38-20 | 20 |

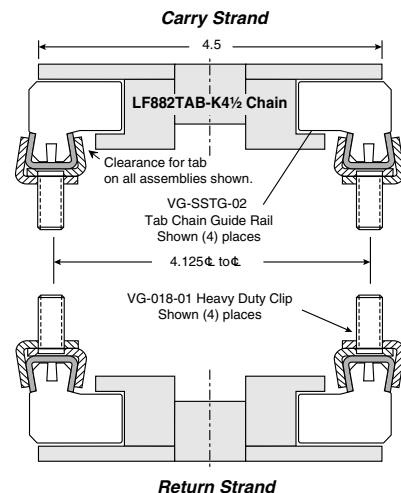
| | | |
|------------|---|----|
| VG-SSNG-8 | - | 8 |
| VG-SSNG-10 | - | 10 |
| VG-SSNG-12 | - | 12 |
| VG-SSNG-20 | - | 20 |

| | | |
|---------------|---------------|----|
| VG-SSTG-02-8 | VG-GSTG-02-8 | 8 |
| VG-SSTG-02-10 | VG-GSTG-02-10 | 10 |
| VG-SSTG-02-12 | VG-GSTG-02-12 | 12 |
| VG-SSTG-02-20 | VG-GSTG-02-20 | 20 |

| | | |
|---------------|---|----|
| VG-SSTG-03-8 | - | 8 |
| VG-SSTG-03-10 | - | 10 |
| VG-SSTG-03-12 | - | 12 |
| VG-SSTG-03-20 | - | 20 |



Tab Chain Guide mounting options



Tee Guide Rail with Premium UHMW Materials



Gray Nolu-S

Self lubricating Nolu-S UHMW insert and stainless steel sheath, 14 gauge.



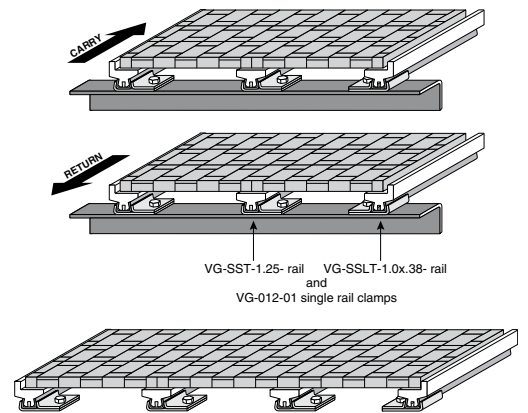
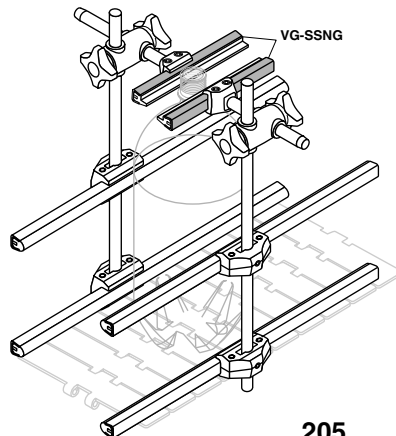
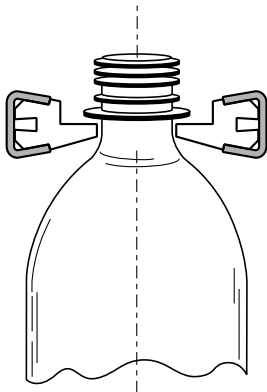
Static Dissipating

Static dissipating UHMW insert and stainless steel sheath, 14 gauge.

| | | Length (ft.) |
|-----------------------|-----------------------|--------------|
| - | - | 8 |
| VG-SST-1.70-NS-10 | VG-SST-1.70-SD-10 | 10 |
| - | VG-SST-1.70-SD-12 | 12 |
| VG-SST-1.70-NS-20 | VG-SST-1.70-SD-20 | 20 |
| | | |
| - | VG-SSLT-1.0x.38-SD-8 | 8 |
| VG-SSLT-1.0x.38-NS-10 | VG-SSLT-1.0x.38-SD-10 | 10 |
| VG-SSLT-1.0x.38-NS-12 | VG-SSLT-1.0x.38-SD-12 | 12 |
| VG-SSLT-1.0x.38-NS-20 | VG-SSLT-1.0x.38-SD-20 | 20 |
| | | |
| - | VG-SSNG-SD-8 | 8 |
| - | VG-SSNG-SD-10 | 10 |
| VG-SSNG-NS-12 | VG-SSNG-SD-12 | 12 |
| VG-SSNG-NS-20 | VG-SSNG-SD-20 | 20 |
| | | |
| VG-SSTG-02-NS-8 | - | 8 |
| VG-SSTG-02-NS-10 | VG-SSTG-02-SD-10 | 10 |
| VG-SSTG-02-NS-12 | VG-SSTG-02-SD-12 | 12 |
| VG-SSTG-02-NS-20 | - | 20 |
| | | |
| VG-SSTG-03-NS-8 | - | 8 |
| VG-SSTG-03-NS-10 | - | 10 |
| VG-SSTG-03-NS-12 | VG-SSTG-03-SD-12 | 12 |
| VG-SSTG-03-NS-20 | VG-SSTG-03-SD-20 | 20 |

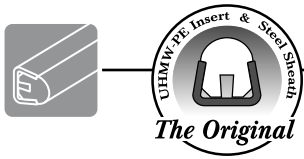
*Tolerance on height is ± 0.025 .

AISI 316 stainless steel are available on a special order basis.



Valu Guide rail can accommodate various widths of metal or plastic belts.

Guide Rails and Hardware



Chain Guide Rail

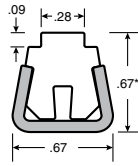
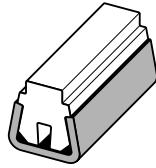
These chain guide rail shapes are also shown with roller chain guides on page 191.

Material: Sheath is stainless steel or galvanized steel, 14 gauge. Insert is UHMW.

#40

Chain Guide

Wear strip and guide for #40 ANSI single roller chains.

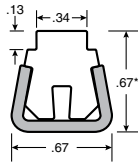
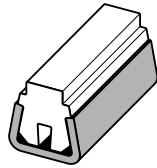


| | Steel Sheath | | Length (ft.) |
|----------------|----------------|------------|--------------|
| | Stainless | Galvanized | |
| VG-SSCG-#40-8 | VG-GSCG-#40-8 | 8 | |
| VG-SSCG-#40-10 | VG-GSCG-#40-10 | 10 | |
| VG-SSCG-#40-12 | VG-GSCG-#40-12 | 12 | |
| VG-SSCG-#40-20 | VG-GSCG-#40-20 | 20 | |

#50

Chain Guide

Wear strip and guide for #50 ANSI single roller chains.

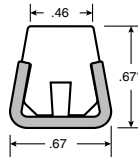
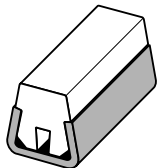


| | | |
|----------------|----------------|----|
| VG-SSCG-#50-8 | VG-GSCG-#50-8 | 8 |
| VG-SSCG-#50-10 | VG-GSCG-#50-10 | 10 |
| VG-SSCG-#50-12 | - | 12 |
| VG-SSCG-#50-20 | VG-GSCG-#50-20 | 20 |

#60

Chain Guide

Wear strip and guide for #60 ANSI single roller chains. Can also be used as side rail or wear strip when a wider surface contact is required.

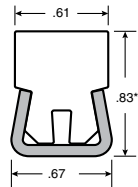
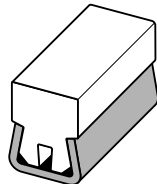


| | | |
|-----------|-----------|----|
| VG-SSF-8 | VG-GSF-8 | 8 |
| VG-SSF-10 | VG-GSF-10 | 10 |
| VG-SSF-12 | VG-GSF-12 | 12 |
| VG-SSF-20 | VG-GSF-20 | 20 |

#80

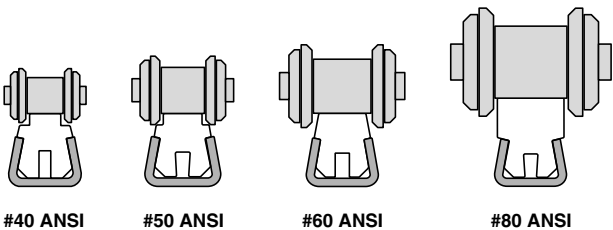
Chain Guide

Wear strip and guide for #80 ANSI single roller chains.



| | | |
|----------------|----------------|----|
| VG-SSCG-#80-8 | VG-GSCG-#80-8 | 8 |
| VG-SSCG-#80-10 | VG-GSCG-#80-10 | 10 |
| VG-SSCG-#80-12 | VG-GSCG-#80-12 | 12 |
| VG-SSCG-#80-20 | VG-GSCG-#80-20 | 20 |

*Tolerance on height is $\pm 0.025"$.
Other lengths can be cut to order.

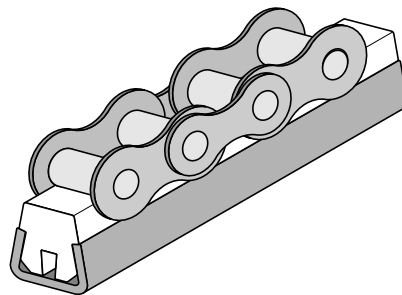


#40 ANSI

#50 ANSI

#60 ANSI

#80 ANSI





Extended Chain Guide Rail

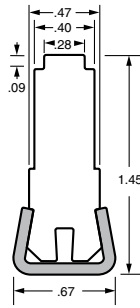
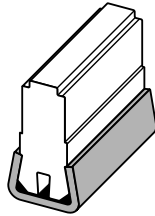


Use where increased height is needed for extended side bar attachments. These chain guide rail shapes are also shown with roller chain guides on page 191.

#40

Extended Chain Guide

Wear strip and guide for #40 ANSI single roller chains.



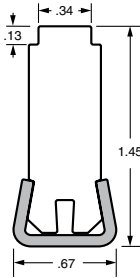
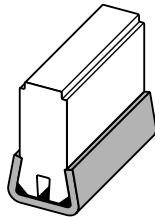
Material: Sheath is stainless steel or galvanized steel, 14 gauge. Insert is UHMW.

| Steel Sheath | | Length (ft.) |
|-----------------|-----------------|--------------|
| Stainless | Galvanized | |
| VG-SSECG-#40-8 | VG-GSECG-#40-8 | 8 |
| VG-SSECG-#40-10 | VG-GSECG-#40-10 | 10 |
| VG-SSECG-#40-12 | VG-GSECG-#40-12 | 12 |
| VG-SSECG-#40-20 | VG-GSECG-#40-20 | 20 |

#50

Extended Chain Guide

Wear strip and guide for #50 ANSI single roller chains.

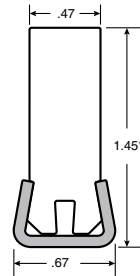
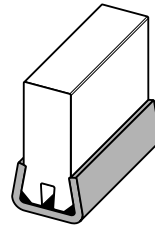


| | | |
|-----------------|-----------------|----|
| VG-SSECG-#50-8 | VG-GSECG-#50-8 | 8 |
| VG-SSECG-#50-10 | VG-GSECG-#50-10 | 10 |
| VG-SSECG-#50-12 | - | 12 |
| VG-SSECG-#50-20 | - | 20 |

#60

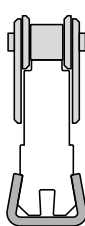
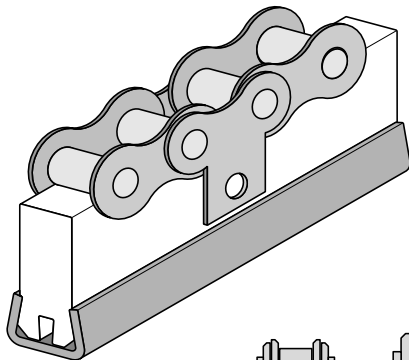
Extended Chain Guide

Wear strip and guide for #60 ANSI single roller chains.

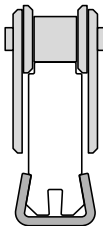


| | | |
|-----------------|-----------------|----|
| VG-SSECG-#60-8 | VG-GSECG-#60-8 | 8 |
| VG-SSECG-#60-10 | VG-GSECG-#60-10 | 10 |
| VG-SSECG-#60-12 | VG-GSECG-#60-12 | 12 |
| VG-SSECG-#60-20 | VG-GSECG-#60-20 | 20 |

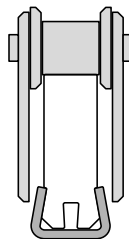
*Tolerance on height is ± 0.025 ".
Other lengths can be cut to order.



#40 ANSI



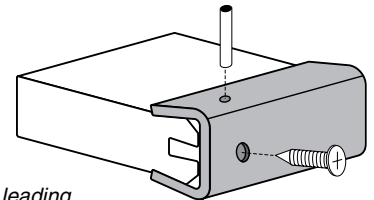
#50 ANSI



#60 ANSI

Important Note:

When Valu Guide Rail is used as a wear strip, the UHMW insert should be fastened to the metal sheath at the leading end of the rail. Using a sheet metal screw through the back of the sheath or a heavy wire pin from the side should be adequate. This will prevent the insert from sliding within the sheath in the event the chain accidentally catches on a leading edge. This also allows for thermal expansion and contraction of the UHMW insert.



Guide Rails and Hardware



Solid Guide Rail

Since the original introduction of Valu Guide rail in 1981, we have been asked on occasion to provide profiles in which the UHMW insert completely fills the stainless steel sheath. For those special circumstances we carry a selection of guide rails with solid inserts.



Natural White UHMW

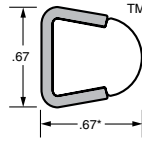
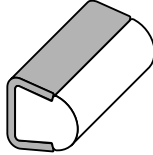
Material: UHMW Insert and stainless steel sheath, 14 gauge.

Guide Rails and Hardware

RS

Round Solid Rail

General purpose side rail for minimum container contact.

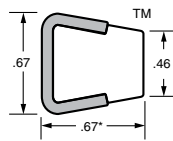
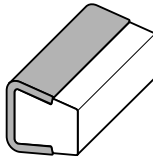


| | Length (ft.) |
|-------------------|--------------|
| VG-SSRS-8 | 8 |
| VG-SSRS-10 | 10 |
| VG-SSRS-12 | 12 |
| VG-SSRS-20 | 20 |

FS

Flat Solid Rail

Side rail or wear strip. Can also be used as a chain guide for #60 roller chain.

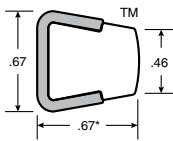
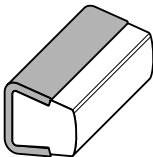


| | |
|-------------------|-----------|
| VG-SSFS-8 | 8 |
| VG-SSFS-10 | 10 |
| VG-SSFS-12 | 12 |
| VG-SSFS-20 | 20 |

MS

Modified Solid Rail

Where minimum contact is desired in order to prevent damage during higher side loading conditions.

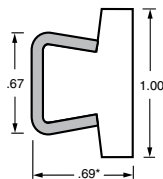
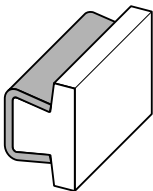


| | |
|-------------------|-----------|
| VG-SSMS-8 | 8 |
| VG-SSMS-10 | 10 |
| VG-SSMS-12 | 12 |
| VG-SSMS-20 | 20 |

WFS

Wide Flat Solid Rail

Side rail or wear strip. Can be used in combination with the above rails when a greater contact area is required.

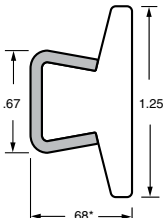
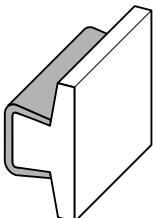


| | |
|--------------------|-----------|
| VG-SSWFS-8 | 8 |
| VG-SSWFS-10 | 10 |
| VG-SSWFS-12 | 12 |
| VG-SSWFS-20 | 20 |

WFS-1.25

Wide Flat Solid Rail

Side rail or wear strip. Can be used in combination with the above rails when a greater contact area is required.



| | |
|-------------------------|-----------|
| VG-SSWFS-1.25-8 | 8 |
| VG-SSWFS-1.25-10 | 10 |
| VG-SSWFS-1.25-12 | 12 |
| VG-SSWFS-1.25-20 | 20 |

Solid Guide Rail with Premium UHMW Materials



Gray Nolu-S

Self lubricating Nolu-S UHMW insert and stainless steel sheath, 14 gauge.



Static Dissipating (black)

Static dissipating (black) UHMW insert and stainless steel sheath, 14 gauge.

| |
|---------------|
| VG-SSRS-NS-8 |
| VG-SSRS-NS-10 |
| VG-SSRS-NS-12 |
| VG-SSRS-NS-20 |

| |
|---------------|
| - |
| VG-SSFS-NS-10 |
| - |
| VG-SSFS-NS-20 |

| |
|---------------|
| - |
| VG-SSMS-NS-10 |
| - |
| VG-SSMS-NS-20 |

| |
|----------------|
| - |
| VG-SSWFS-NS-10 |
| - |
| VG-SSWFS-NS-20 |

| |
|---------------------|
| - |
| VG-SSWFS-1.25-NS-10 |
| VG-SSWFS-1.25-NS-12 |
| VG-SSWFS-1.25-NS-20 |

| | Length (ft.) |
|---------------|--------------|
| VG-SSRS-SD-8 | 8 |
| VG-SSRS-SD-10 | 10 |
| VG-SSRS-SD-12 | 12 |
| VG-SSRS-SD-20 | 20 |

| | |
|---------------|----|
| VG-SSFS-SD-8 | 8 |
| VG-SSFS-SD-10 | 10 |
| - | 12 |
| VG-SSFS-SD-20 | 20 |

| | |
|---------------|----|
| VG-SSMS-SD-8 | 8 |
| VG-SSMS-SD-10 | 10 |
| - | 12 |
| - | 20 |

| | |
|----------------|----|
| VG-SSWFS-SD-8 | 8 |
| VG-SSWFS-SD-10 | 10 |
| VG-SSWFS-SD-12 | 12 |
| VG-SSWFS-SD-20 | 20 |

| | |
|---------------------|----|
| VG-SSWFS-1.25-SD-8 | 8 |
| VG-SSWFS-1.25-SD-10 | 10 |
| VG-SSWFS-1.25-SD-12 | 12 |
| VG-SSWFS-1.25-SD-20 | 20 |

*Tolerance on height is $\pm 0.025"$.
AISI 316 stainless steel are available on a special order basis.

Guide Rails and Hardware



Solid Tee Guide Rail

Since the original introduction of Valu Guide rail in 1981, we have been asked on occasion to provide profiles in which the UHMW insert completely fills the stainless steel sheath. For those special circumstances we carry a selection of guide rails with solid inserts. Valu Guide Solid Tee Guide Rail can be used as a side rail when a larger container contact area is required or as a wear strip for wide metal or plastic belting and slat top chain.



Natural White UHMW

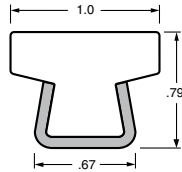
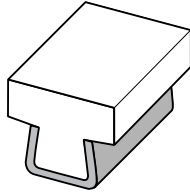
Material: UHMW Insert and stainless steel sheath, 14 gauge.

Guide Rails and Hardware

TS-1.00

Tee Solid Rail

Can be used as a side rail or as a wear strip.



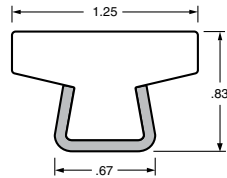
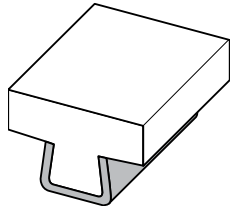
Length (ft.)

| | |
|-----------------|----|
| VG-SSTS-1.00-8 | 8 |
| VG-SSTS-1.00-10 | 10 |
| VG-SSTS-1.00-12 | 12 |
| VG-SSTS-1.00-20 | 20 |

TS-1.25

Tee Solid Rail

Can be used as a side rail or as a wear strip.

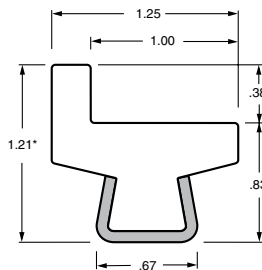
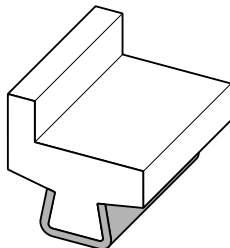


| | |
|-----------------|----|
| VG-SSTS-1.25-8 | 8 |
| VG-SSTS-1.25-10 | 10 |
| VG-SSTS-1.25-12 | 12 |
| VG-SSTS-1.25-20 | 20 |

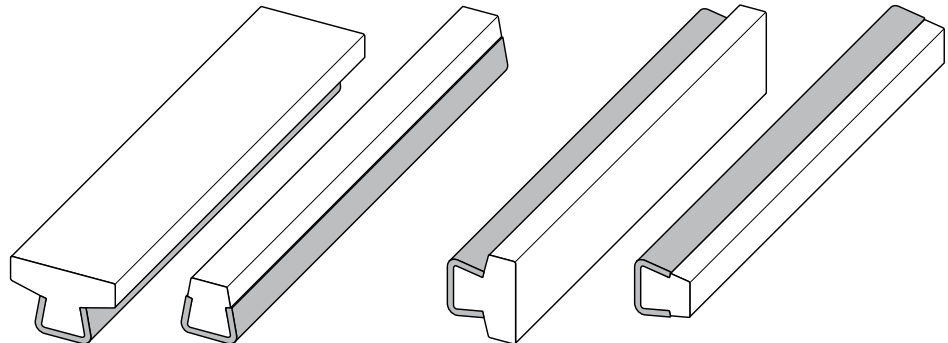
LTS

EII Tee Solid Rail

Wear strip and side guide for modular wide belts. Provides positive edge tracking and a low friction, abrasion resistant support.



| | |
|---------------------|----|
| VG-SSLTS-1.0x.38-8 | 8 |
| VG-SSLTS-1.0x.38-10 | 10 |
| VG-SSLTS-1.0x.38-12 | 12 |
| VG-SSLTS-1.0x.38-20 | 20 |



Use as wear strips for plastic or steel belting.

Use as side guides for glass and metal containers.



Gray Nolu-S

Self lubricating Nolu-S UHMW insert and stainless steel sheath, 14 gauge.



Static Dissipating (black)

Static dissipating (black) UHMW insert and stainless steel sheath, 14 gauge.

| | Length (ft.) |
|--------------------|--------------|
| VG-SSTS-1.00-NS-8 | 8 |
| VG-SSTS-1.00-NS-10 | 10 |
| - | 12 |
| VG-SSTS-1.00-NS-20 | 20 |

| | Length (ft.) |
|--------------------|--------------|
| - | 8 |
| VG-SSTS-1.00-SD-10 | 10 |
| VG-SSTS-1.00-SD-12 | 12 |
| VG-SSTS-1.00-SD-20 | 20 |

| | |
|--------------------|----|
| VG-SSTS-1.25-NS-8 | 8 |
| VG-SSTS-1.25-NS-10 | 10 |
| VG-SSTS-1.25-NS-12 | 12 |
| VG-SSTS-1.25-NS-20 | 20 |

| | |
|--------------------|----|
| - | 8 |
| VG-SSTS-1.25-SD-10 | 10 |
| VG-SSTS-1.25-SD-12 | 12 |
| VG-SSTS-1.25-SD-20 | 20 |

| | |
|------------------------|----|
| - | 8 |
| VG-SSLTS-1.0x.38-NS-10 | 10 |
| VG-SSLTS-1.0x.38-NS-12 | 12 |
| VG-SSLTS-1.0x.38-NS-20 | 20 |

| | |
|------------------------|----|
| VG-SSLTS-1.0x.38-SD-8 | 8 |
| VG-SSLTS-1.0x.38-SD-10 | 10 |
| VG-SSLTS-1.0x.38-SD-12 | 12 |
| VG-SSLTS-1.0x.38-SD-20 | 20 |

*Tolerance on height is $\pm 0.025"$.
AISI 316 stainless steel are available on a special order basis.

Guide Rails and Hardware



Static Dissipative Rail reduces static buildup and discharge.

Protect personnel, sensitive products or electrical components with Valu Guide's proprietary static dissipating guide rail material.

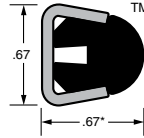
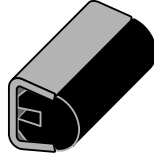
Plastic packaging and PET bottles can generate high levels of static buildup as they travel along a conveyor. Static Dissipative Rail is more conductive than natural UHMW and provides static buildup with a pathway to the surrounding conveyor frame where it can dissipate. Conveyor frames may need to be grounded. Valu Guide's special formulation retains the low friction and wear characteristics of UHMW while effectively reducing problems caused by static such as shocks or containers sticking together.

Material: Sheath is stainless steel, 14 gauge. Insert is static dissipative UHMW.

Guide Rails and Hardware

R-SD

Round Static Dissipative
Reduces static buildup and discharge. Side rail for minimum container contact.

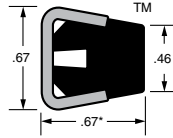
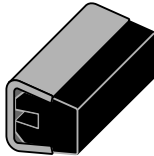


| | Length (ft.) |
|---------------------|--------------|
| VG-SSR-SD-8 | 8 |
| VG-SSR-SD-10 | 10 |
| VG-SSR-SD-12 | 12 |
| VG-SSR-SD-20 | 20 |

*Tolerance on height is ±0.025".

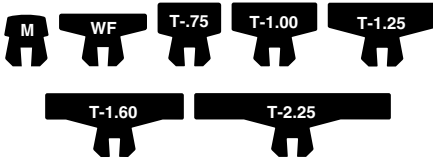
F-SD

Flat Static Dissipative
Reduces static buildup and discharge. Side rail or wear strip when a wider surface contact is required. Can also be used as a chain guide for #60 roller chain.



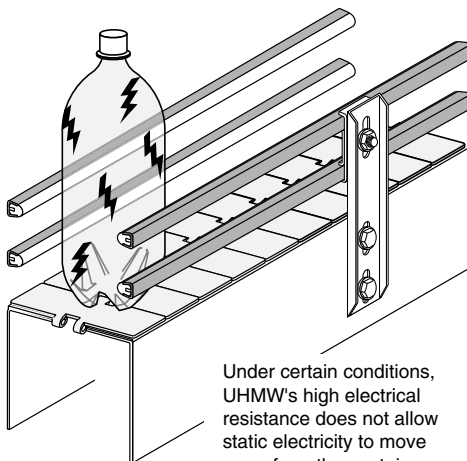
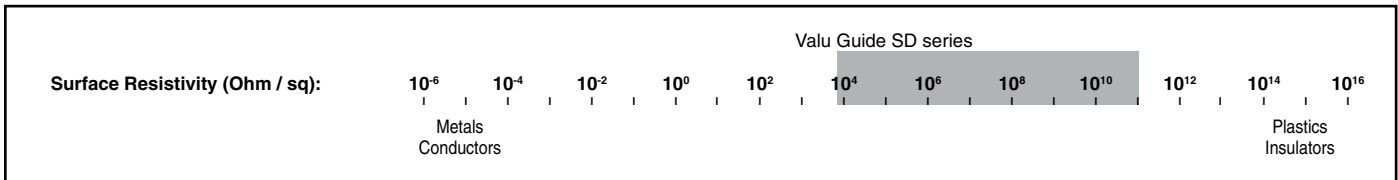
| | |
|---------------------|-----------|
| | 8 |
| VG-SSF-SD-10 | 10 |
| VG-SSF-SD-12 | 12 |
| VG-SSF-SD-20 | 20 |

+Tolerance on height is ±0.025".

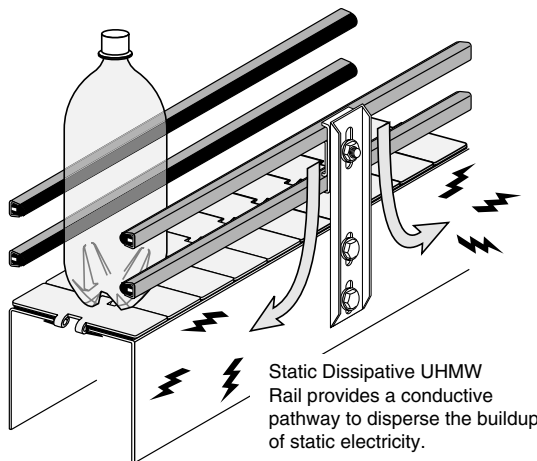


The Round and Flat rails shown above are representative of the full line of static dissipating guide rails available from Valu Guide.

All other profile shapes featured in this catalog can be produced as static dissipative.



Under certain conditions, UHMW's high electrical resistance does not allow static electricity to move away from the container, resulting in static build-up.



Static Dissipative UHMW Rail provides a conductive pathway to disperse the buildup of static electricity.



Hi-Temp Rail for use where increased operating temperatures exist.

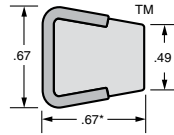
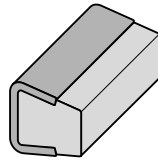
Performs in Continuous Temperatures up to 500°F!

- For use in:**
- ✓ Steam Chambers
 - ✓ Shrink Tunnels
 - ✓ Ovens
 - ✓ Furnace Discharge
 - ✓ Pasteurizers
 - ✓ Cookers
 - ✓ Retorts
 - ✓ Steam Boxes
 - ✓ Hot Fill Area
 - ✓ Fryers

F-HT

Hi-Temp Flat

Where increased temperatures exist, use as side rail or wear strip when a wide surface contact is required. Can also be used as a chain guide for #60 roller chain.



Material: Sheath is stainless steel or galvanized steel, 14 gauge. Insert is PTFE hi-temp material.

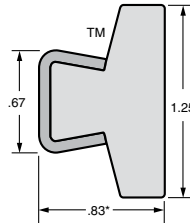
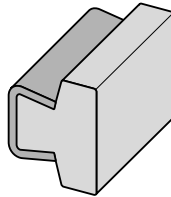
| | Steel Sheath | | Length (ft.) |
|---------------------|--------------|---------------------|--------------|
| | Stainless | Galvanized | |
| VG-SSF-HT-4 | | VG-GSF-HT-4 | 4 |
| VG-SSF-HT-5 | | VG-GSF-HT-5 | 5 |
| VG-SSF-HT-8 | | VG-GSF-HT-8 | 8 |
| VG-SSF-HT-10 | | VG-GSF-HT-10 | 10 |

*Tolerance on height is ±0.025".

T-HT

Hi-Temp Tee

Where increased temperatures exist, use as wear strip for wide metal or plastic belting and slat top chain. Also used as side rail when a larger container contact area is required.



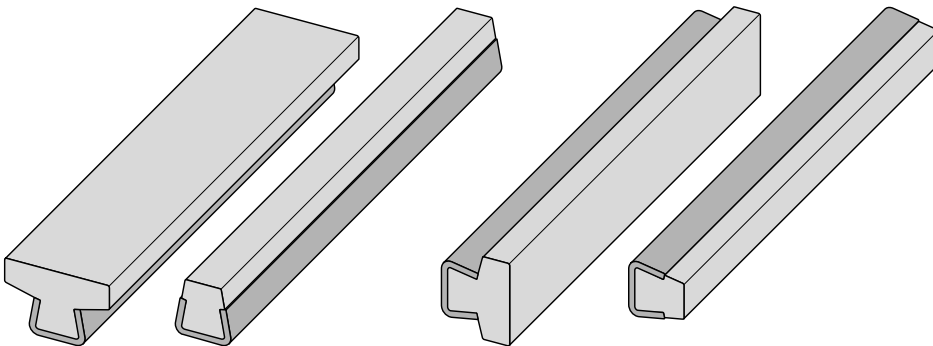
| | | |
|--------------------------|--------------------------|-----------|
| VG-SST-HT-1.25-4 | - | 4 |
| VG-SST-HT-1.25-5 | VG-GST-HT-1.25-5 | 5 |
| VG-SST-HT-1.25-8 | VG-GST-HT-1.25-8 | 8 |
| VG-SST-HT-1.25-10 | VG-GST-HT-1.25-10 | 10 |

*Tolerance on height is ±0.025".

Narrower tee dimensions are available. Please contact customer service for special requirements.

The minimum bending radius for Hi-Temp Tee turn applications is 6 inches.

| Specifications | Hi-Temp Material | Steel Sheath |
|---|-----------------------------|--------------|
| Tensile Strength (ASTM D-638 (psi)) | 1500-3000 | 70,000 |
| Deformation Under Load (ASTM D-621 (%)) | 3.8 | --- |
| Coefficient of Thermal Expansion (ASTM D-696 in/in/°F x 10 ⁻⁵) | 5.5 x 10 ⁻⁵ | .96 |
| Coefficient of Friction | .04 | --- |
| Continuous Service Temperature | -400°F (min.), 500°F (max.) | --- |

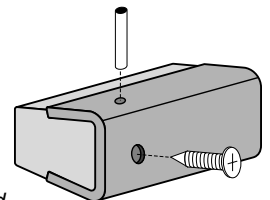


Use as wear strips for plastic or steel belting.

Use as side guides for glass and metal containers.

Important Note:

When Valu Guide Rail is used as a wear strip, the UHMW insert should be fastened to the metal sheath at the leading end of the rail. Using a sheet metal screw through the back of the sheath or a heavy wire pin from the side should be adequate. This will prevent the insert from sliding within the sheath in the event the chain accidentally catches on a leading edge. This also allows for thermal expansion and contraction of the UHMW insert.



Guide Rails and Hardware



PolyGlide™

Guide rail for use with plastics such as PET and polypropylene.

PolyGlide™ rail is designed to be an economical solution to guiding plastic containers, cartons, and conveyor belting. PolyGlide™ is constructed using stainless steel as the guide contact surface and can be used with all standard Valu Guide rail clips and clamps.



PolyGlide reduces static buildup.

Plastic packaging and PET bottles can generate high levels of static buildup as they travel along a conveyor. PolyGlide provides static buildup with a pathway to the surrounding conveyor frame where it can dissipate. Conveyor frames may need to be grounded.



PolyGlide can be used in higher operating temperatures.

PolyGlide can withstand harsh environments such as:

- Steam Chambers
- Furnace Discharge
- Steam Boxes
- Shrink Tunnels
- Pasteurizers
- Hot Fill Area
- Ovens
- Cookers
- Fryers

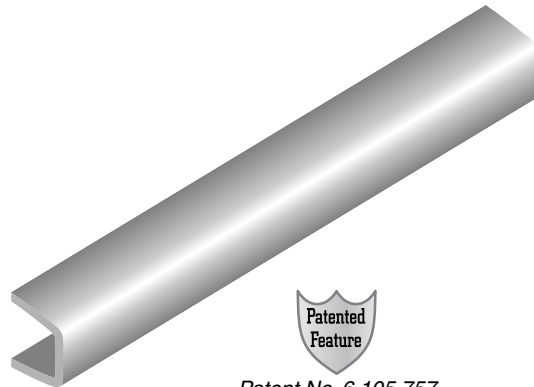
Guide Rails and Hardware

SPM



PolyGlide Rail

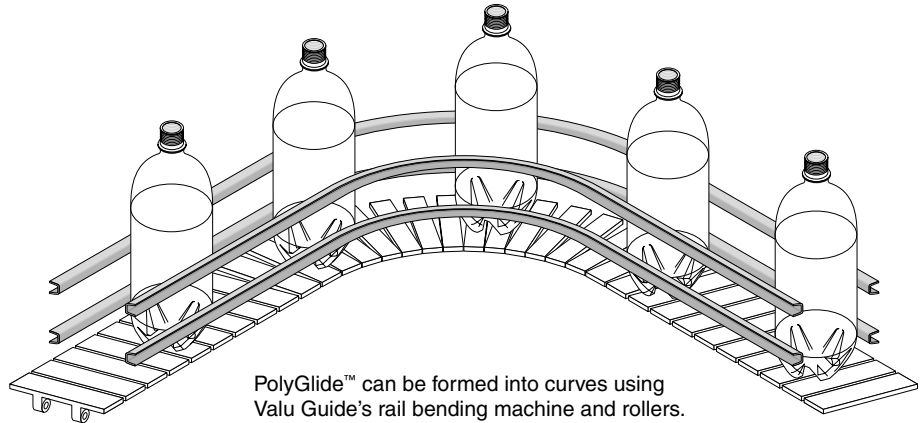
Economical guide for plastic containers and conveyor belting. Can be used with all standard Valu Guide rail clips and clamps. VG-PMI-inserts required for use with rail clamps.



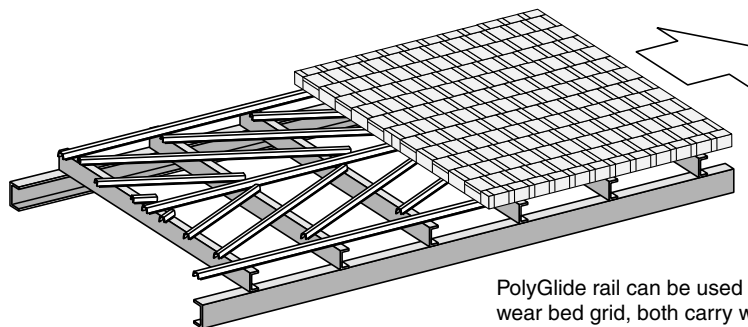
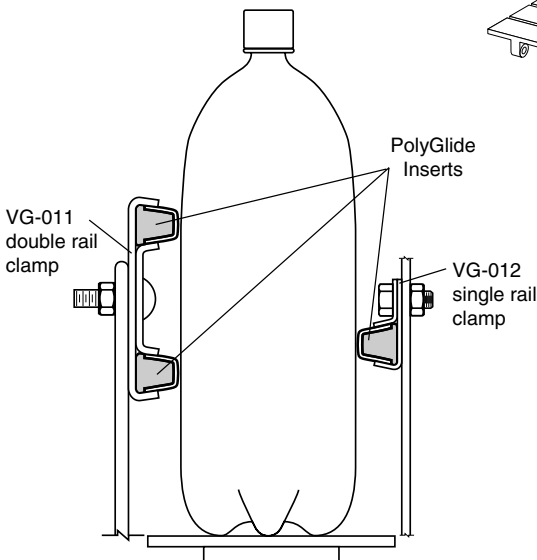
Patent No. 6,105,757

Material: stainless steel, 14 gauge.

| Part Number | Length (ft.) |
|-------------|--------------|
| VG-SPM-4 | 4 |
| VG-SPM-5 | 5 |
| VG-SPM-6 | 6 |
| VG-SPM-8 | 8 |
| VG-SPM-10 | 10 |
| VG-SPM-12 | 12 |
| VG-SPM-20 | 20 |



PolyGlide™ can be formed into curves using Valu Guide's rail bending machine and rollers.



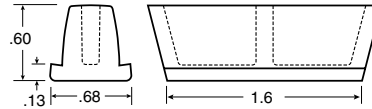
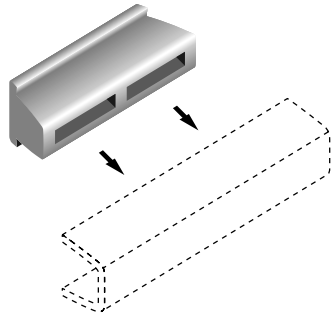
PolyGlide rail can be used as a wear bed grid, both carry way and return way, for plastic belting.



PMI-25

Plastic Insert

Used with PolyGlide rail in conjunction with Valu Guide clips and clamps. Temperature range: -40°F to 140°F. For higher or lower temperatures, use stainless steel insert part number VG-PMI-30.



Material: Santoprene plastic.

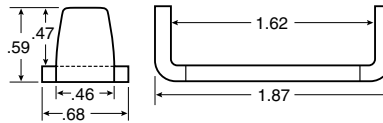
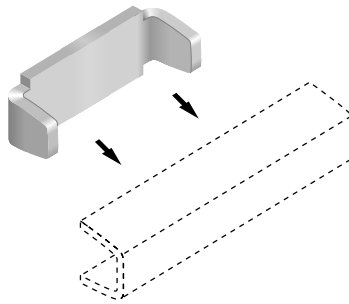
Part Number

VG-PMI-25

PMI-30

Stainless Steel Insert

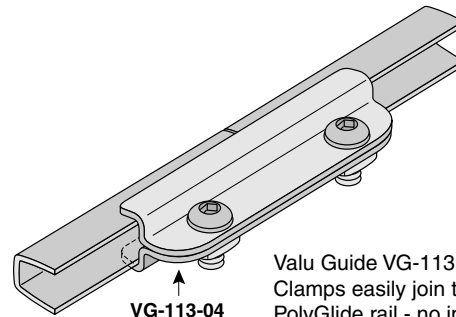
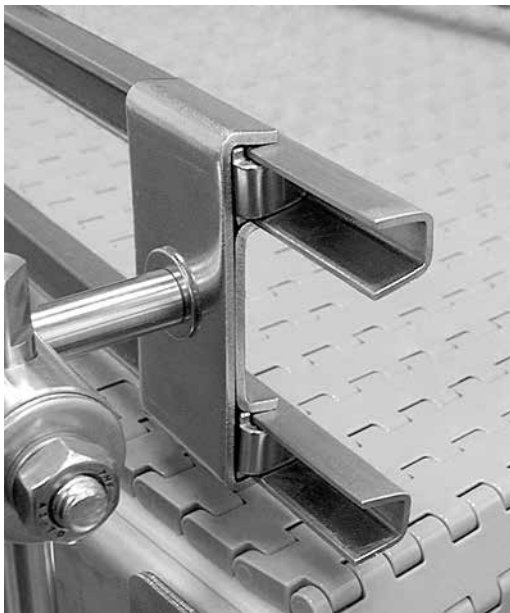
Used with PolyGlide rail in conjunction with Valu Guide clips and clamps in harsh environments such as extreme temperatures or corrosive areas.



Material: stainless steel.

Part Number

VG-PMI-30

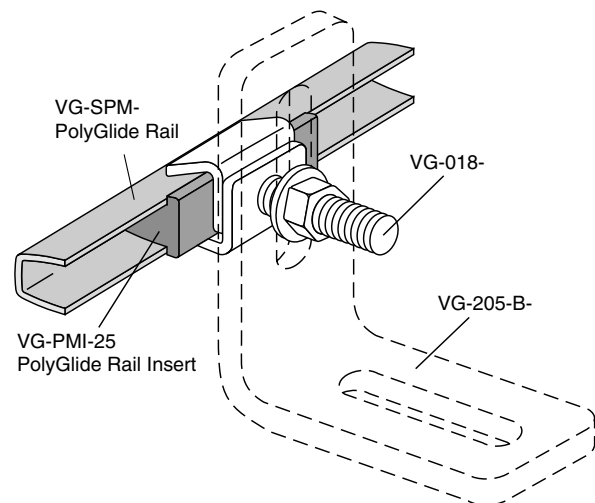
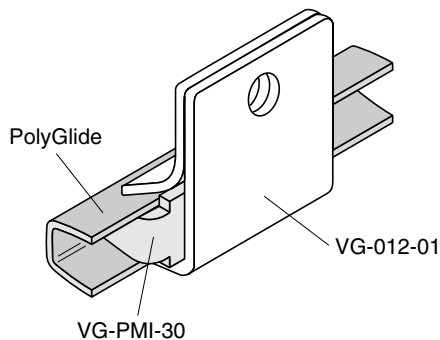


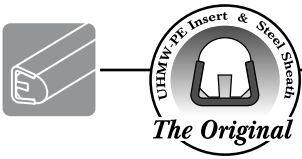
VG-113-04

Valu Guide VG-113 Series Splice Clamps easily join two pieces of PolyGlide rail - no insert is required.



Patent No. 6,053,654





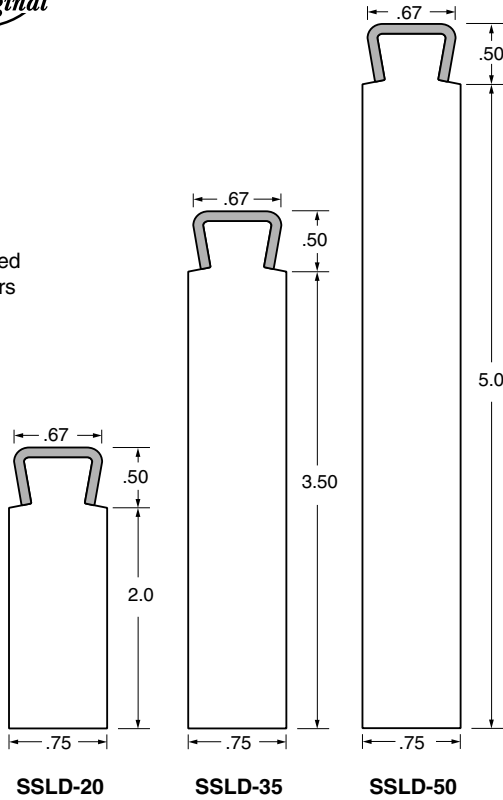
Lane Dividers

LD

Lane Divider

Lane dividers are used to separate containers on a conveyor into multiple lanes.

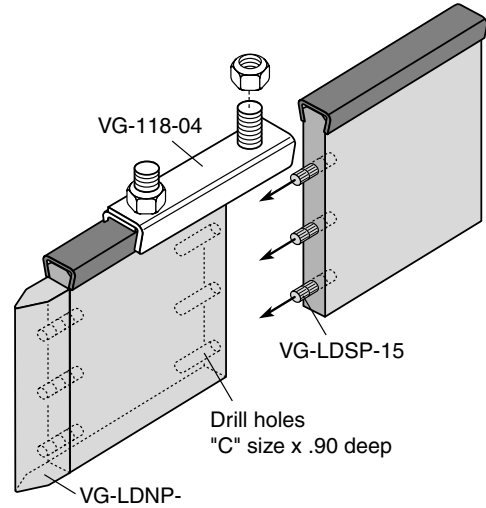
Guide Rails and Hardware



Material: Sheath is stainless steel, 14 gauge. Insert is UHMW.

| Part Number | Length* (ft.) |
|---------------|---------------|
| VG-SSLD-20-5 | 5 |
| VG-SSLD-20-10 | 10 |
| VG-SSLD-35-5 | 5 |
| VG-SSLD-35-10 | 10 |
| VG-SSLD-50-5 | 5 |
| VG-SSLD-50-10 | 10 |

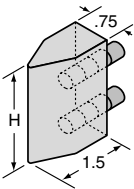
*Other lengths can be cut to order.



LDNP

Nose Plug

For LD dividers. Pins included.

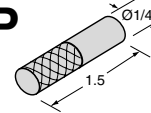


Material: UHMW, SS pins.

| Part Number | H (in.) | Pins |
|-------------|---------|------|
| VG-LDNP-20 | 2 | 2 |
| VG-LDNP-35 | 3½ | 3 |
| VG-LDNP-50 | 5 | 3 |

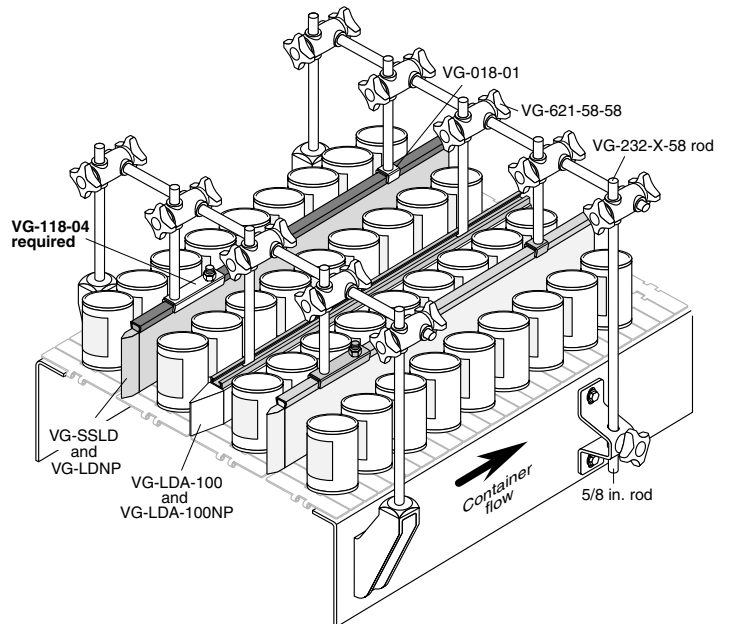
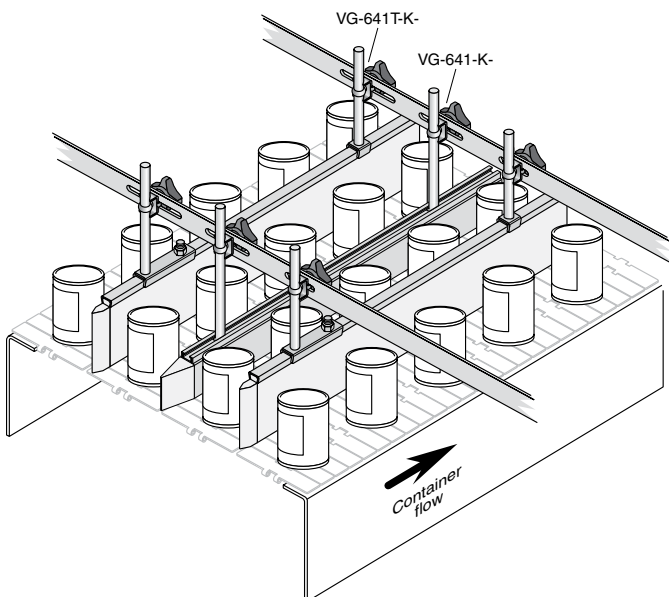
LDSP

Splicing Pins



Material: Stainless steel.

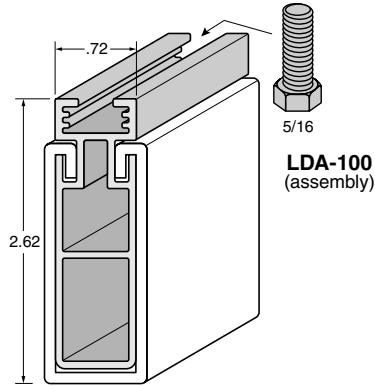
| Part Number | Length (in.) |
|-------------|--------------|
| VG-LDSP-15 | 1½ |





LDA-100

Lane Divider
Bendable to 40" radius.

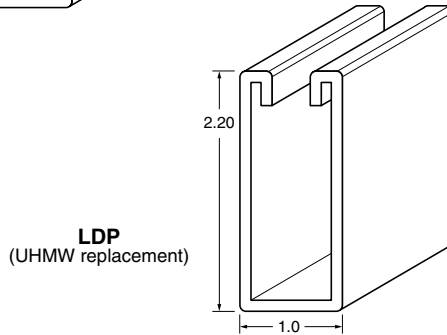


Material: Aluminum.

| Part Number | Length (ft.) |
|----------------------|--------------|
| VG-LDA-100-10 | 10 |
| VG-LDA-100-20 | 20 |

LDP

UHMW Cover
Replacement for VG-LDA-100 assembly.

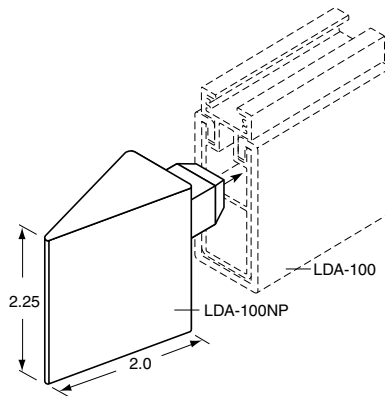


Material: UHMW.

| Part Number | Length (ft.) |
|----------------------|--------------|
| VG-LDP-100-10 | 10 |
| VG-LDP-100-20 | 20 |

LDA-100NP

Nose Plow
For LDA dividers.



Material: UHMW.

| Part Number |
|---------------------|
| VG-LDA-100NP |

Guide Rails and Hardware

UHMW Wear Bed Grid

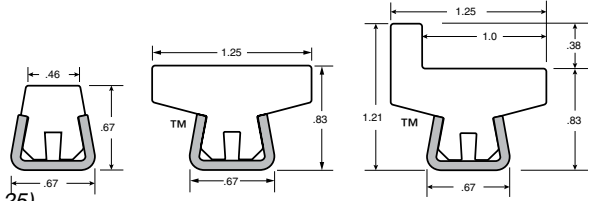
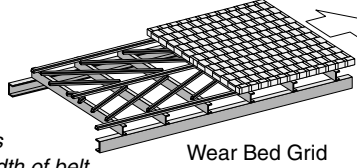
Valu Guide as a wear strip?

YES! Many companies are using Valu Guide rail as wear strips under their conveyor belts (read important note below for installation requirements). They have found that it is an excellent compliment to virtually all plastic and metal chains and belting. For additional conveyor chain guiding options, see section starting on page 101.



The **advantages** of using Valu Guide are:

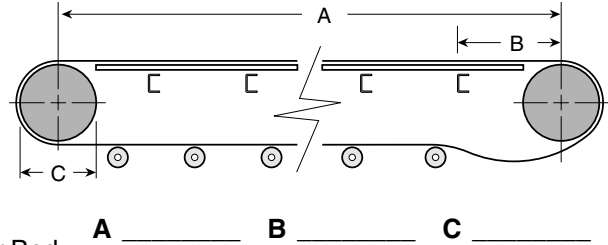
- Reduced drag
- Longer service life
- Added structural support
- Simple fabrication, easy installation
- Elimination of thermal expansion problems
- Even distribution of wear and load over width of belt
- Improved sanitation - eliminates buildup between wear strip and support
- Styles to fit most any application - Flat, Modified, L-Tee, Tee (.75, 1.00, 1.25, 1.60, 2.25)



Flat, Tee, and L-Tee Profiles

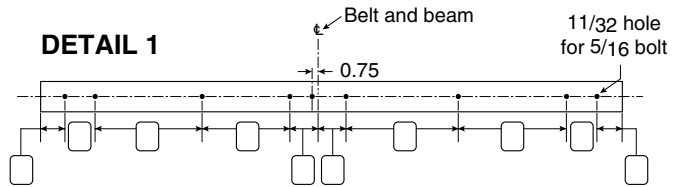
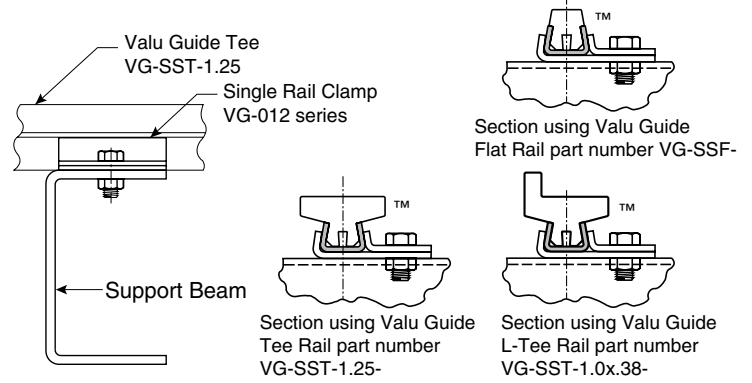
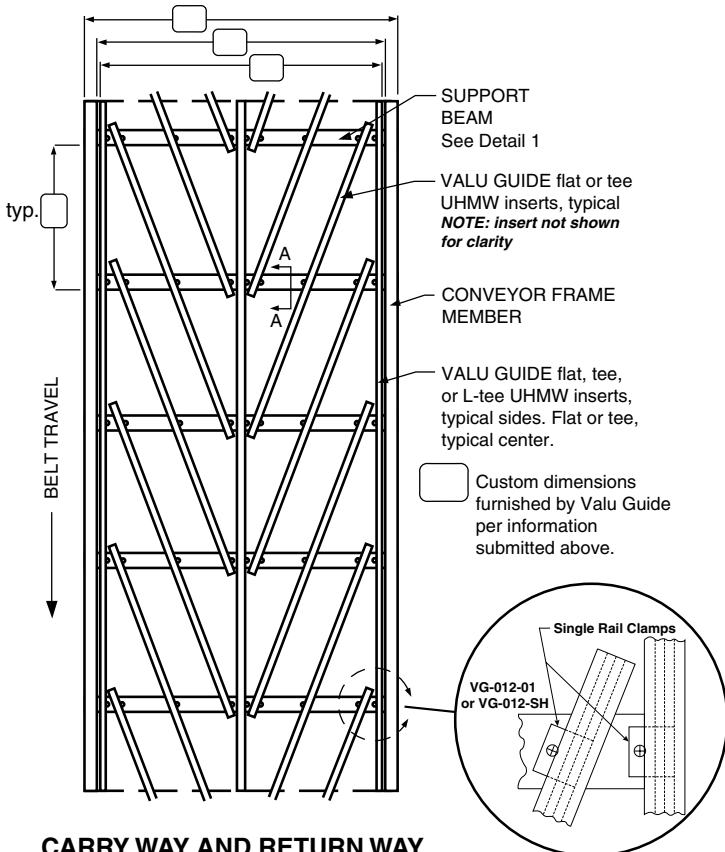
Guide Rails and Hardware

1. Type of belting _____
2. Weight of belting (pounds per square foot) _____
3. Top load (product weight per square foot) _____
4. Conveyor width _____
5. Belt speed (feet per minute) _____
6. Operating Temperature _____
7. What type of return is planned? Rollers (see pg. 427) Wear Bed
8. Is this wear bed a: New design
 Replacement (Type: _____)



FAX THIS INFORMATION FOR YOUR CUSTOM DESIGN FAX (866) 447-6587

Typical carry and return way wear strip configuration for wide plastic or metal belting utilizing Valu Guide Rail.

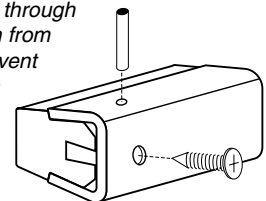


CARRY WAY AND RETURN WAY WEAR BED GRID CUSTOM DESIGN SUPPORT

You can receive a custom preliminary quote for your specific carry way and return way application(s) by submitting the above information.

Important Note:

When Valu Guide Rail is used as a wear strip, the UHMW insert should be fastened to the metal sheath at the leading end of the rail. Using a sheet metal screw through the back of the sheath or a heavy wire pin from the side should be adequate. This will prevent the insert from sliding within the sheath in the event the chain accidentally catches on a leading edge. This also allows for thermal expansion and contraction of the UHMW insert.

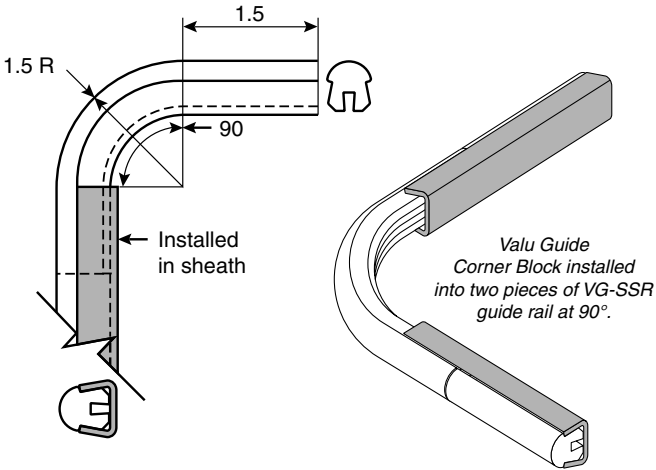




730

Corner Block Inserts

For use when the smallest corner radius is required. Most desirable when transferring at right angles on and off accumulating tables.



Material: UHMW.

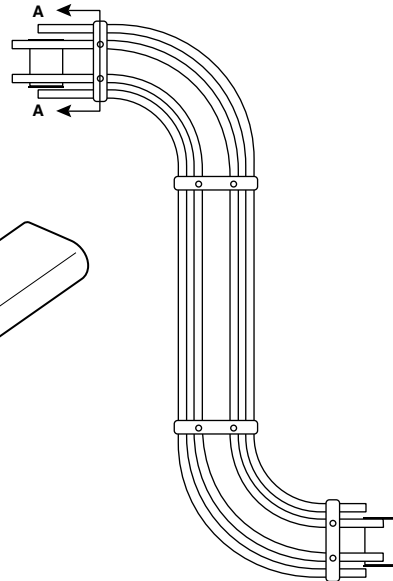
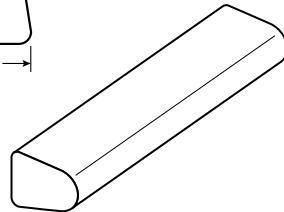
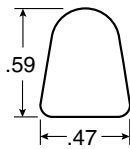
| | | | |
|-----------|-----------|-----------|-----------|
| | | | |
| VG-730-01 | VG-730-05 | VG-730-07 | VG-730-09 |

Guide Rails and Hardware

761

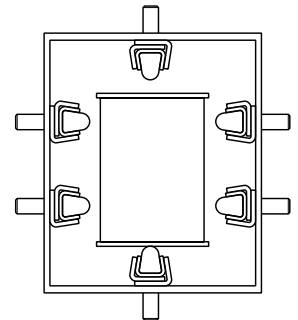
Twist Insert

For use in container fittings as an alternative to metal rods. Twist Insert is flexible, non-marking, and noise reducing. Typically used in both straight and radiused applications, and easily adjoins to Valu Guide rail.



Material: UHMW.

| Part Number | Length (ft.) |
|-------------|--------------|
| VG-761-10 | 10 |

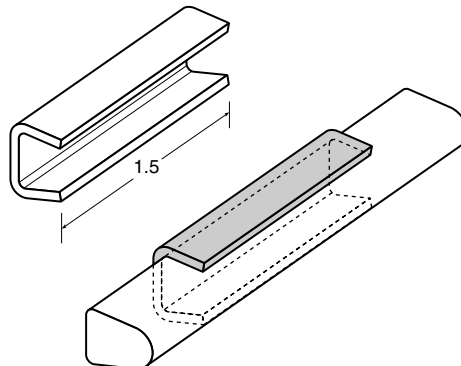
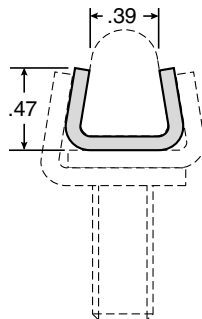


Section A - A

013

Insert Sleeve

For use with Twist Inserts. Allows attachment of Valu Guide rail clips, clamps, and connectors such as VG-012, VG-014H, VG-015, VG-016 or VG-018.



Material: Stainless steel, 14 gauge.

| Part Number | Length (in.) |
|-------------|--------------|
| VG-013-02 | 1½ |

Hand Guide Rail Benders

Bend rails into curves with professional results!

Hand Guide Rail Bender

System Plast has developed, and makes available for purchase or rental, a light weight rail bending machine. The machine is portable and can easily be carried by one person to either the job site or the work area. Hand bending techniques cannot match the speed, accuracy and quality of curves made with the bending machine.

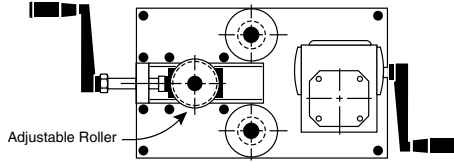
Each bender is supplied with rollers (roller set part number **VG-RS-01**) to bend Valu Guide round, flat, modified and Tee-rails. Additional rollers for bending additional rail styles are also available. In the event you're not satisfied with your bend, the bender can be used to straighten the pieces for re-bending.

Shipping weight is 56 lbs. Detailed instructions are furnished with each machine.

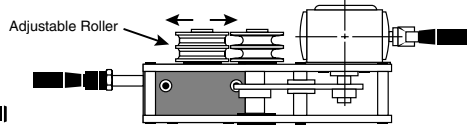


Available for Rental or Purchase

Guide Rails and Hardware



Top View



Side View

VG-690

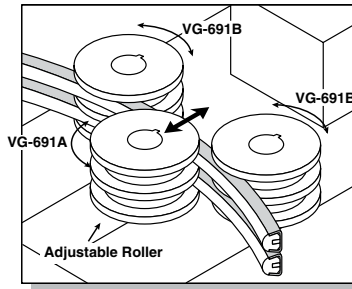
Hand Guide Rail Bender

Supplied with part number **VG-RS-01** which includes two VG-691A rollers, two VG-691B rollers, and two VG-692 rollers.

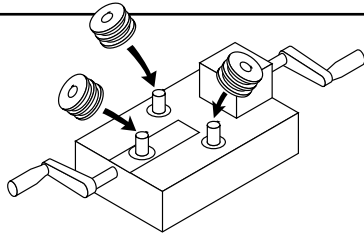
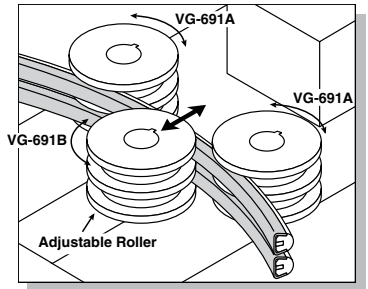
Part Number

VG-690 Includes VG-RS-01 roller set

Outside Curve



Inside Curve

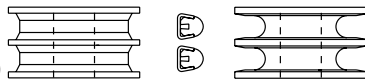


Hand Guide Rail Bender Rollers

System Plast rails can be quickly and easily formed to practically any radius without distortion of the rail or damage to the insert. This is achieved by the use of the contoured rollers on the bending machine. The rollers manipulate the rail during bending while protecting the insert from damage. Large and small radius turns, including offsets, can be produced.

RS-01

Bends two rails simultaneously!



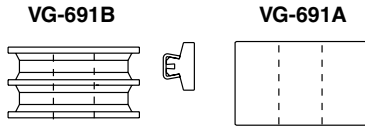
Roller Set Part Number

VG-RS-01

Included in set: **VG-691A** (2 ea.)

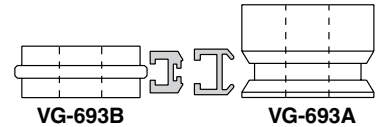
VG-691B (2 ea.)

VG-692 (2 ea.)



| Valu Guide round, flat, modified and neck guide profiles Minimum radius: 3 in. | Outside Curves | | Inside Curves | |
|---|----------------|-----------|---------------|-----------|
| | 1 roller | 2 rollers | 1 roller | 2 rollers |
| | VG-691A | VG-691B | VG-691B | VG-691A |
| Valu Guide tee profiles Minimum radius: 4 in. | VG-692 | VG-691B | VG-691B | VG-692 |

RS-02

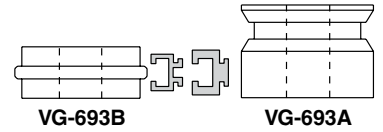


Roller Set Part Number

VG-RS-02

Included in set: **VG-693A** (2 ea.)

VG-693B (2 ea.)

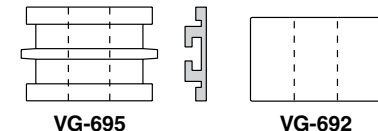


| VG-A350, VG-A500 Minimum radius: Inside curve: 6 in. Outside curve: 5 in. Rail can be bent with cover in place | Outside Curves | | Inside Curves | |
|--|----------------|-----------|---------------|-----------|
| | 1 roller | 2 rollers | 1 roller | 2 rollers |
| | VG-693A | VG-693B | VG-693B | VG-693A |
| VG-A600, VG-A225 Minimum radius: Inside curve: 6 in. Outside curve: 5 in. Rail can be bent with cover in place | VG-693A | VG-693B | VG-693B | VG-693A |

RS-03

Roller Set Part Number

VG-RS-03



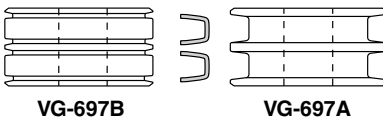
| VG-A2520 profile Minimum radius: Inside curve: 8 in. Outside curve: 7 in. Add UHMW cover (VG-P2520BC) after bending | Outside Curves | | Inside Curves | |
|---|----------------|-----------|---------------|-----------|
| | 1 roller | 2 rollers | 1 roller | 2 rollers |
| | VG-692 | VG-695 | VG-695 | VG-692 |

RS-04

Bends two rails simultaneously!

Roller Set Part Number

VG-RS-04

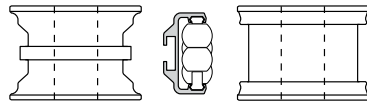


| Valu Guide PolyGlide rail Minimum radius: 4 inches | Outside Curves | | Inside Curves | |
|---|----------------|-----------|---------------|-----------|
| | 1 roller | 2 rollers | 1 roller | 2 rollers |
| | VG-697A | VG-697B | VG-697B | VG-697A |



RS-05

Roller Set Part Number
VG-RS-05



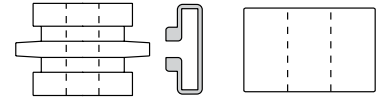
VG-698A

VG-698B

| VG-686A-1.25 SpeedRail Minimum radius: 12 inches | Outside Curves | | Inside Curves | |
|--|----------------|-----------|---------------|-----------|
| | 1 roller | 2 rollers | 1 roller | 2 rollers |
| | VG-698B | VG-698A | VG-698A | VG-698B |

RS-06

Roller Set Part Number
VG-RS-06



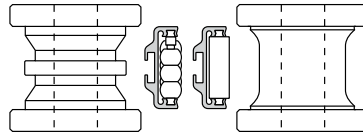
VG-696

VG-692

| VG-A5020 profile Minimum radius: Inside curve: 8 in. Outside curve: 7 in. Add UHMW cover (VG-P5020BC) after bending | Outside Curves | | Inside Curves | |
|--|----------------|-----------|---------------|-----------|
| | 1 roller | 2 rollers | 1 roller | 2 rollers |
| | VG-692 | VG-696 | VG-696 | VG-692 |

RS-07

Roller Set Part Number
VG-RS-07



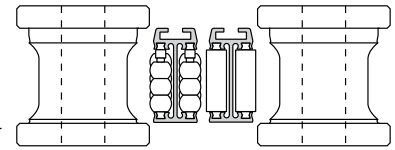
VG-698D

VG-698C

| VG-687H-1.4 SpeedRail SB VG-688H-1.4 SpeedRoll Minimum radius: 12 inches | Outside Curves | | Inside Curves | |
|--|----------------|-----------|---------------|-----------|
| | 1 roller | 2 rollers | 1 roller | 2 rollers |
| | VG-698D | VG-698C | VG-698C | VG-698D |

RS-08

Roller Set Part Number
VG-RS-08



VG-698E

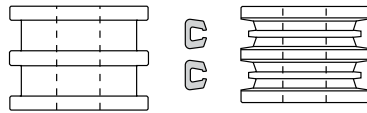
VG-698E

| VG-687-1.4 SpeedRail SB VG-688-1.4 SpeedRoll Minimum radius: 12 inches | Outside Curves | Inside Curves |
|--|----------------|---------------|
| | VG-698E | |

RS-09

Bends two rails simultaneously!

Roller Set Part Number
VG-RS-09



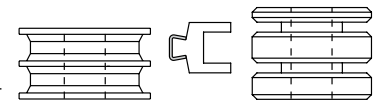
VG-694B

VG-694A

| VG-ABG-profile Minimum radius: 30 inches | Outside Curves | | Inside Curves | |
|--|----------------|-----------|---------------|-----------|
| | 1 roller | 2 rollers | 1 roller | 2 rollers |
| | VG-694A | VG-694B | VG-694B | VG-694A |

RS-11

Roller Set Part Number
VG-RS-11



VG-691B

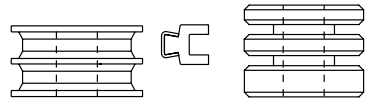
VG-699-1.3

| VG-SSUT-1.30 Conveyor belt side guide Minimum radius: 18 inches | Outside Curves | | Inside Curves | |
|---|----------------|-----------|---------------|------------|
| | 1 roller | 2 rollers | 1 roller | 2 rollers |
| | VG-699-1.3 | VG-691B | VG-691B | VG-699-1.3 |

RS-12

Roller Set Part Number
VG-RS-12

VG-691B set included with bender.



VG-691B

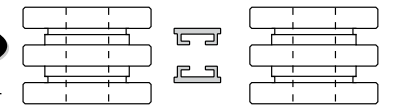
VG-699-1.0

| VG-SSUT-1.00 Conveyor belt side guide Minimum radius: 18 inches | Outside Curves | | Inside Curves | |
|---|----------------|-----------|---------------|------------|
| | 1 roller | 2 rollers | 1 roller | 2 rollers |
| | VG-699-1.0 | VG-691B | VG-691B | VG-699-1.0 |

RS-14

Bends two rails simultaneously!

Roller Set Part Number
VG-RS-14



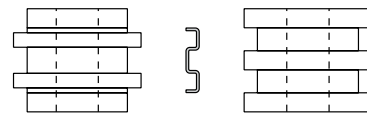
VG-6911C

VG-6911C

| VG-BWS- Conveyor belt support Minimum radius: 24 inches | Outside Curves | Inside Curves |
|---|----------------|---------------|
| | VG-6911C | |

RS-15

Roller Set Part Number
VG-RS-15



VG-6912A

VG-6912B

| 190265 M-Profile Minimum radius: 18 inches | Outside Curves | | Inside Curves | |
|--|----------------|-----------|---------------|-----------|
| | 1 roller | 2 rollers | 1 roller | 2 rollers |
| | VG-6912B | VG-6912A | VG-6912A | VG-6912B |

Guide Rails and Hardware



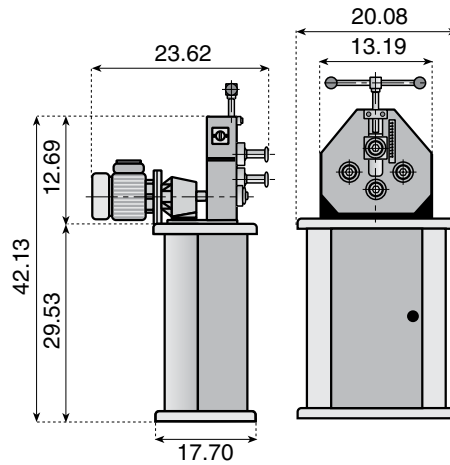
Replacement Rollers for Motorized Guide Rail Benders

Motorized Bender

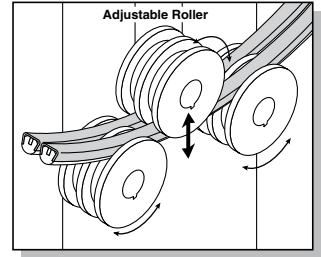
Bends steel or aluminum rails into curves, individually or in pairs. Millimeter and decimal reading for pressing roller adjustment. Rollers sold separately.

Motor: V.440 volt / 60Hz

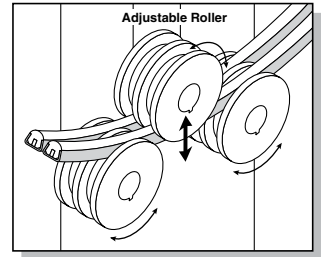
Note: Motorized Bender is no longer sold.



Inside Curve



Outside Curve



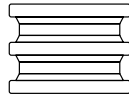
Replacement Rollers for Motorized Bender

19500

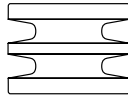
Bends two rails simultaneously!

Roller Set Part Number

19500



19500



19500

Round, flat, modified and neck guide profiles
Minimum radius: 6 inches

Outside Curves
2 rollers

19500

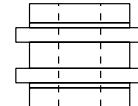
Inside Curves
2 rollers

19500

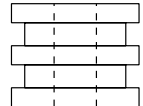
19506

Roller Set Part Number

19506



19506



19506

190265 M-Profile
Minimum radius: 18 inches

Outside Curves
2 rollers

19506

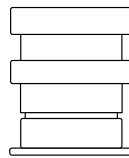
Inside Curves
2 rollers

19506

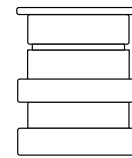
19507

Roller Set Part Number

19507



19507



19507

Tee profile
Minimum radius: 6 inches

Outside Curves
2 rollers

19507

Inside Curves
2 rollers

19507



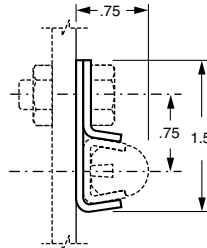
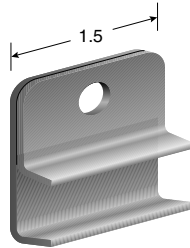
Single Rail Clamps



Rail Clamps support guide rail for industrial applications such as conveyor guide rail or wear beds. Rail Clamps offer heavy duty strength and corrosion resistance. For added corrosion protection, 316 stainless steel is also available. Round hole versions accept hex bolts and square hole versions accept hex or carriage bolts (due to variations in carriage bolt head diameters, it may be necessary to put a flat on the bolt head to avoid interference with the clamp).

Guide Rails and Hardware

Single Rail Clamp
Round hole, 1.5 inches wide.

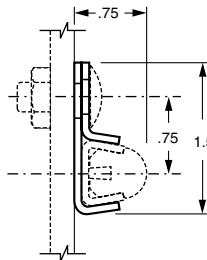
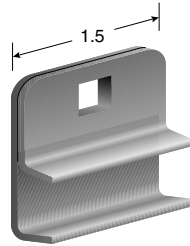


Material: Stainless steel, 14 gauge. Part numbers ending in -316 are 316 stainless steel.

| Part Number | Fastener |
|----------------------|-------------------|
| VG-012-01 | 5/16 or M8 |
| VG-012-01-316 | 5/16 or M8 |



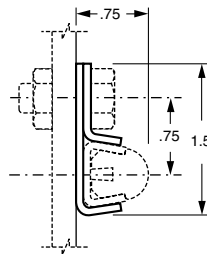
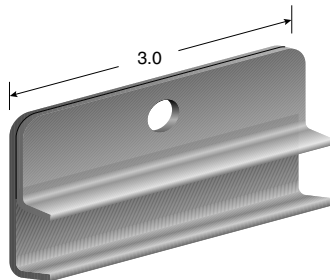
Single Rail Clamp
Square hole, 1.5 inches wide.



| Part Number | Fastener |
|----------------------|-------------------|
| VG-012-SH | 5/16 or M8 |
| VG-012-SH-316 | 5/16 or M8 |



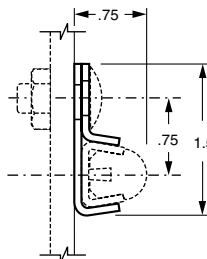
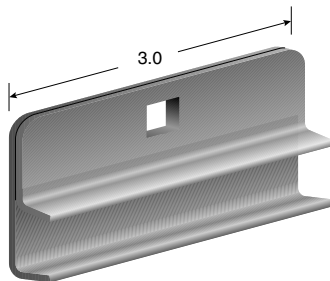
Single Rail Clamp
Round hole, 3 inches wide for splicing.



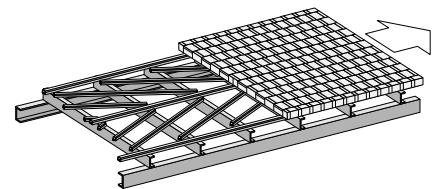
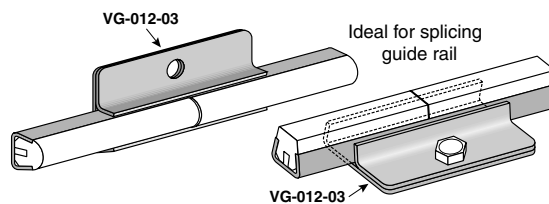
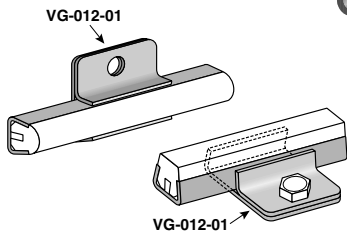
| Part Number | Fastener |
|----------------------|-------------------|
| VG-012-03 | 5/16 or M8 |
| VG-012-03-316 | 5/16 or M8 |



Single Rail Clamp
Square hole, 3 inches wide for splicing.



| Part Number | Fastener |
|-------------------------|-------------------|
| VG-012-03-SH | 5/16 or M8 |
| VG-012-03-SH-316 | 5/16 or M8 |



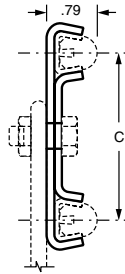
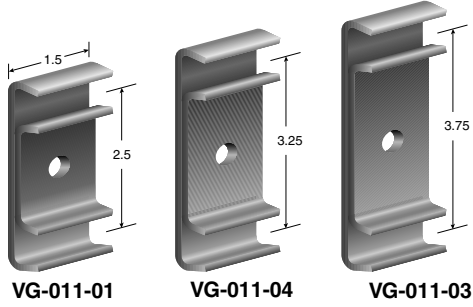
Single Rail Clamps can be used to hold guide rail for a wear bed grid.



Double Rail Clamps

Double Rail Clamp

Round hole, choice of rail center dimensions.



Material: Stainless steel, 11 gauge.

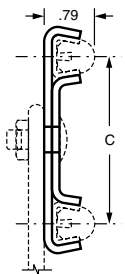
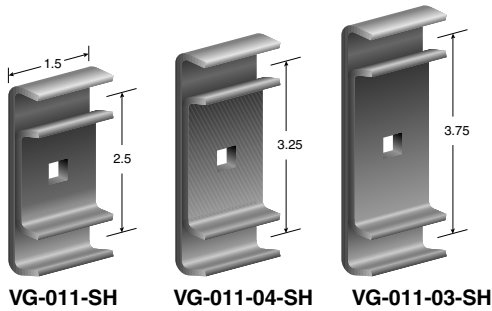
| Part Number | (C) Rail Centers (in.) | Fastener |
|-------------|------------------------|------------|
| VG-011-01 | 2.5 | 3/8 or M10 |
| VG-011-04 | 3.25 | 3/8 or M10 |
| VG-011-03 | 3.75 | 3/8 or M10 |



Guide Rails and Hardware

Double Rail Clamp

Square hole.

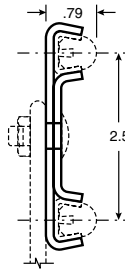
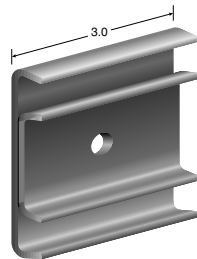


| Part Number | (C) Rail Centers (in.) | Fastener |
|--------------|------------------------|------------|
| VG-011-SH | 2.5 | 5/16 or M8 |
| VG-011-04-SH | 3.25 | 5/16 or M8 |
| VG-011-03-SH | 3.75 | 5/16 or M8 |



Double Rail Clamp

Round hole, 3 inches wide for splicing.

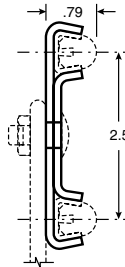
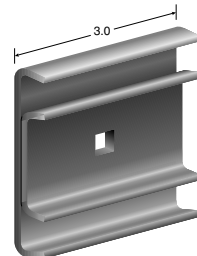


| Part Number | Fastener |
|-------------|------------|
| VG-011-WDR | 3/8 or M10 |

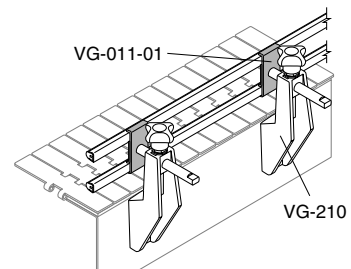
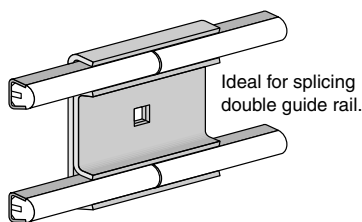


Double Rail Clamp

Square hole, 3 inches wide for splicing.



| Part Number | Fastener |
|-------------|------------|
| VG-011-WD | 5/16 or M8 |

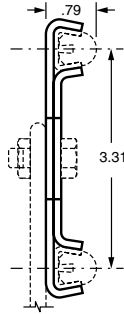
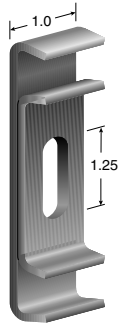




011

Double Rail Clamp

Slotted hole.



Material: Stainless steel, 11 gauge.

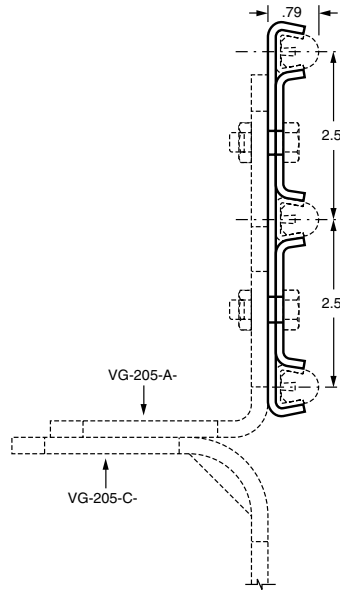
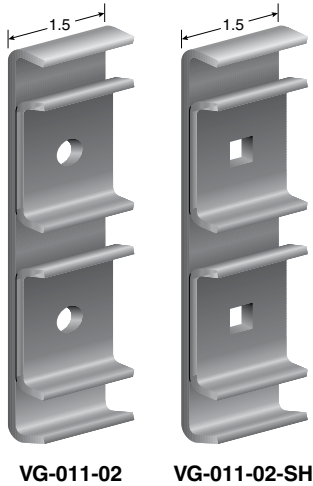
| Part Number | Fastener |
|------------------|-------------------|
| VG-011-NS | 3/8 or M10 |



Guide Rails and Hardware

Triple Rail Clamp

Support for guide rail. Used with tall containers or when large and small containers run on the same production line.

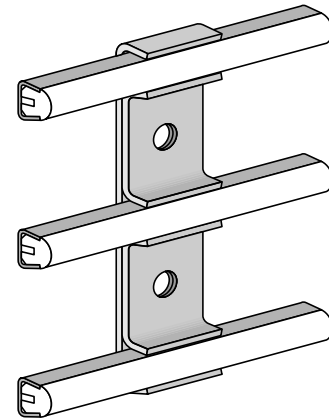
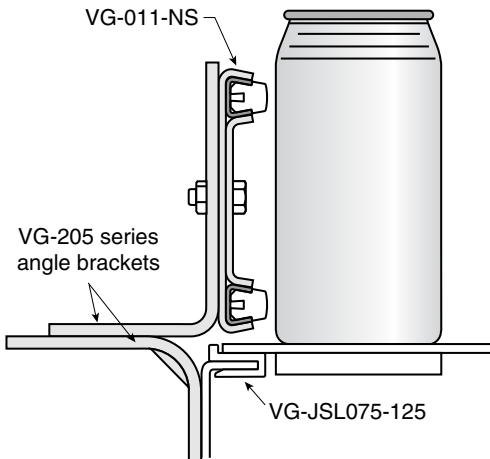


Material: Stainless steel, 11 gauge.

| Part Number | Fastener |
|------------------|-------------------|
| VG-011-02 | 3/8 or M10 |



| | |
|---------------------|-------------------|
| VG-011-02-SH | 5/16 or M8 |
|---------------------|-------------------|

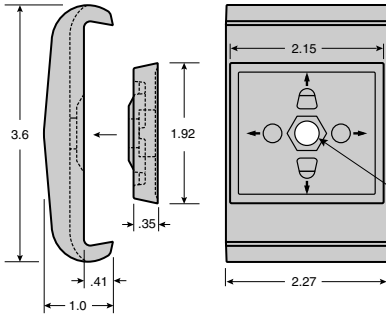




011-01-P

Plastic Double Rail Clamp for Rail or Rod

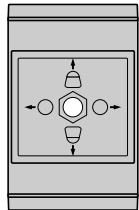
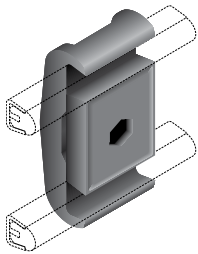
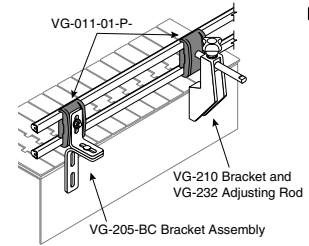
Support for Valu Guide rail or 1/2 in. round rod. Can be used with flat brackets up to 1-1/2 in. wide or with male or female adjusting rods. Two piece, self centering assembly.



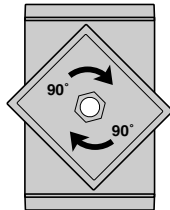
Material: Reinforced polyamide.

| Part Number | Fastener |
|----------------|----------|
| VG-011-01-P-38 | 3/8 |

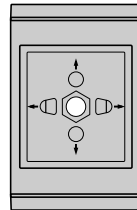
For 1/2 inch round rod and additional clamps, see pg. 236-237



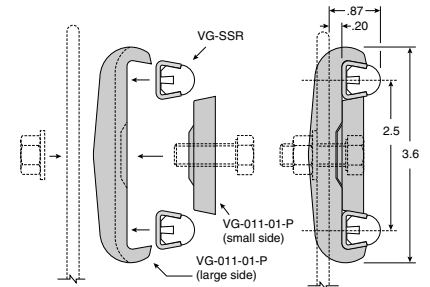
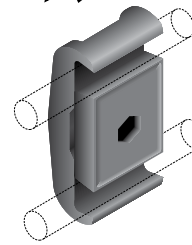
For Valu Guide rail



Rotate center piece 90°



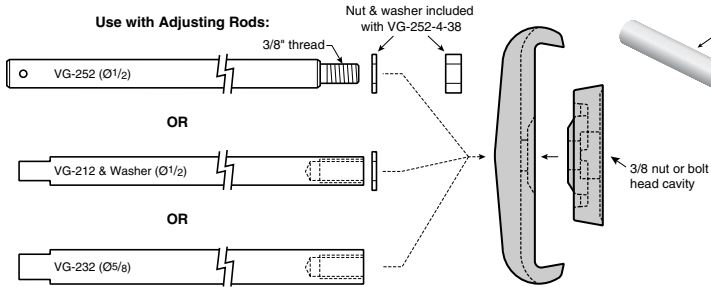
For 1/2 in. round rod



Guide Rails and Hardware

Stainless Steel Rods

Support rod options for use with VG-011-01-P- Plastic Rail Clamp.



Washer recommended when using Ø1/2 rod.

Material: Stainless steel.

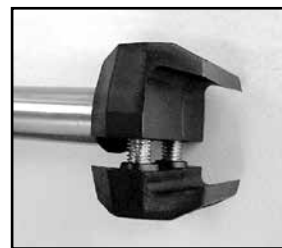
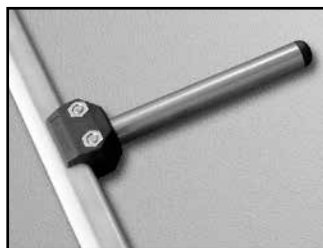
| Part Number | Length (in.) | Fastener |
|--------------|--------------|----------|
| VG-252-4-38 | 4 | 3/8 |
| VG-212 Rods: | see page 296 | |
| VG-232 Rods: | see page 296 | |

031



Rail Clamp and Metal Rod Combination

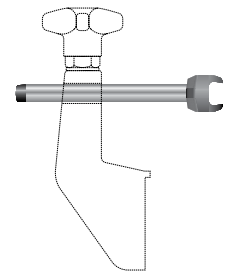
A double bolt clamp with increased grip strength. Clamp is molded onto 1/2 inch OD stainless steel tube, for a cost effective way to provide strong rail support. Special hardware keeps jaws assembled during rail attachment.



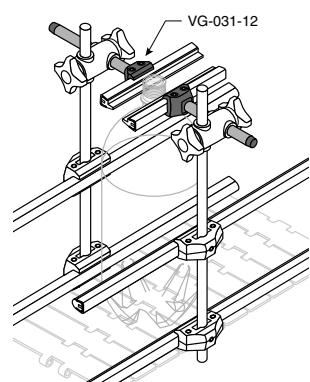
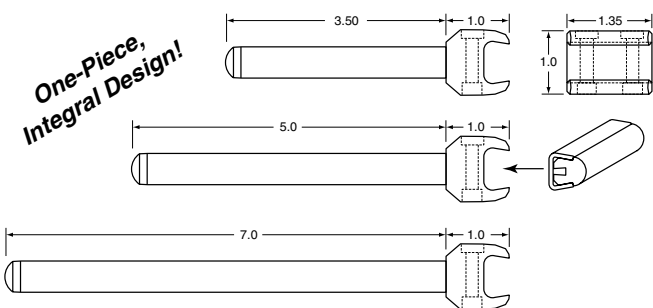
Quick Claw
Longer nut threads allow clamp to open while assembly stays intact!



Includes patented features. Patent No. 5,626,221



One-Piece, Integral Design!



Material: Polyamide clamp with stainless steel rod, nickel plated brass and stainless steel fasteners.

| Part Number | Rod Length (in.) |
|--------------|------------------|
| VG-031-12-35 | 3.5 |
| VG-031-12-50 | 5.0 |
| VG-031-12-70 | 7.0 |



022

Rail Clamp for Rod or Flat Bar

Mounts on flat bar up to 1/4 x 1 in. or rods up to 1/2 in. diameter. Versatile, corrosion resistant design easily adjusts and positions guide rails and sensor holders. The clamp can be opened enough to accommodate the rail while the fasteners remain engaged.



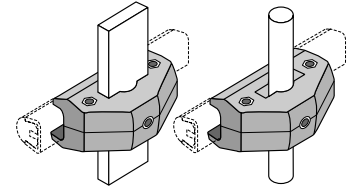
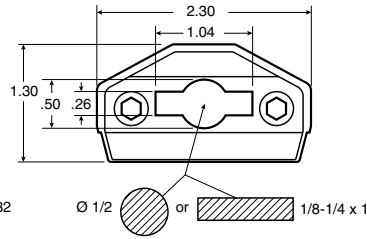
Quick Claw
Longer nut threads allow clamp to open while assembly stays intact!

Material: Polyamide clamp with nickel plated brass and stainless steel fasteners.

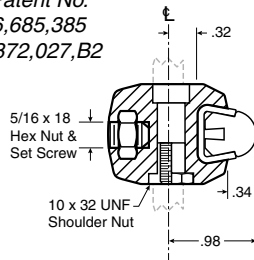
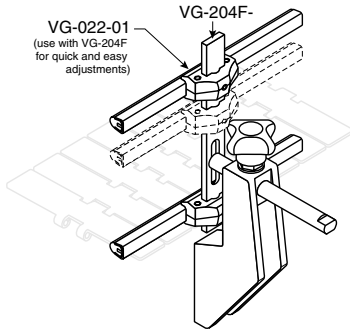
Part Number
VG-022-01



Patent No.
6,685,385
6,872,027, B2



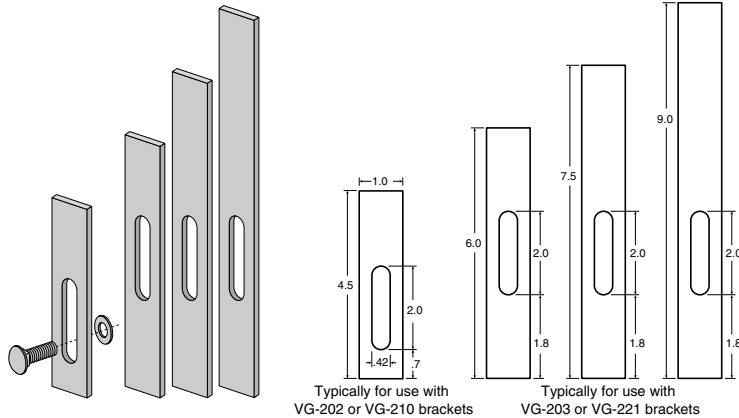
Guide Rails and Hardware



204F

Mounting Bar

Versatile and time saving, mounting bar positions guide rail. Can be used independently or in combination with VG-022 rail clamp and other various Valu Guide components. 3/8 carriage bolt and washer are included with each Mounting Bar.



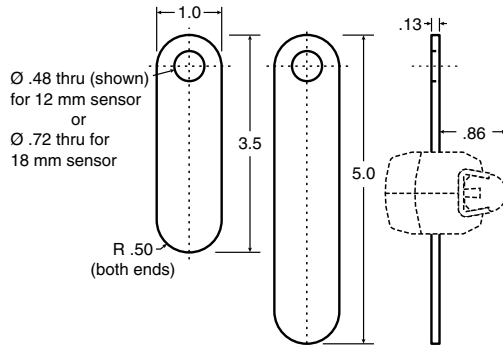
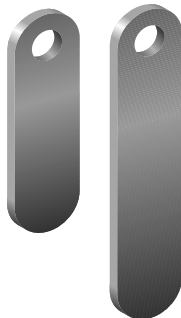
Material: Stainless steel, 3/16 x 1.

| Part Number | Length (in.) |
|------------------------|--------------|
| VG-204F-45-316S | 4.5 |
| VG-204F-60-316S | 6.0 |
| VG-204F-75-316S | 7.5 |
| VG-204F-90-316S | 9.0 |

612

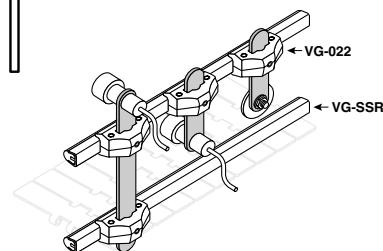
Sensor Mount

Accurately positions sensors and reflectors. Use with VG-022-01 rail clamp for ideal sensor mounting and quick adjustment, above or below guide rail.



Material: Stainless steel.

| Part Number | Length(in.) | Sensor(mm) |
|---------------------|-------------|------------|
| VG-612-35-12 | 3.5 | 12 |
| VG-612-35-18 | 3.5 | 18 |
| VG-612-50-12 | 5 | 12 |
| VG-612-50-18 | 5 | 18 |

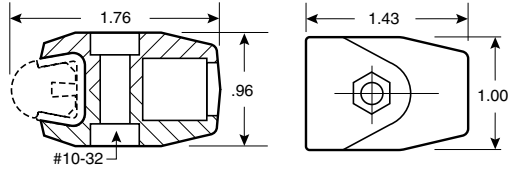




020

Rod End for Valu Guide Rail

Attaches to VG-020-R adjusting rods for use as a connector to hold and easily adjust Valu Guide rail.



Material: Acetal clamp with nickel plated brass and stainless steel fasteners.

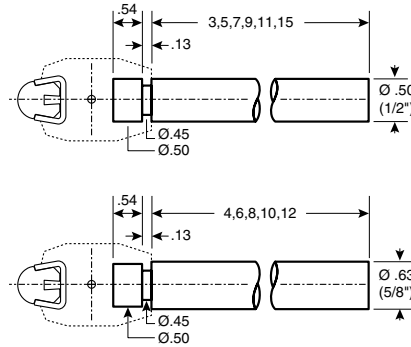
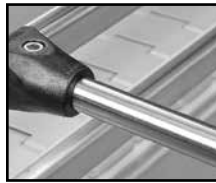
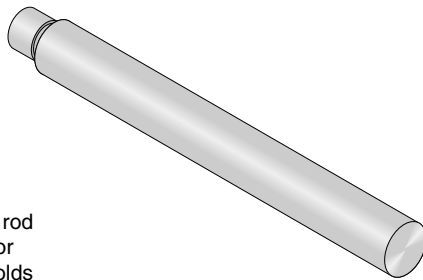
Part Number

VG-020-01

020-R

Adjusting Rods for Rod Ends

Polished stainless steel rod attaches to VG-019-12 or VG-020-01 rod ends. Holds Valu Guide rail firmly in position and adjusts quickly when required. Available in various lengths with 1/2 or 5/8 in. diameters.



Material: Stainless steel.

Part Number Length (in.) Ø (in.)

VG-020-R3 3 1/2

VG-020-R5 5 1/2

VG-020-R7 7 1/2

VG-020-R9 9 1/2

VG-020-R11 11 1/2

VG-020-R15 15 1/2

VG-020-R4 4 5/8

VG-020-R6 6 5/8

VG-020-R8 8 5/8

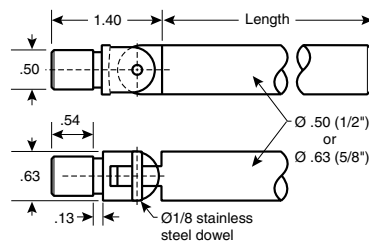
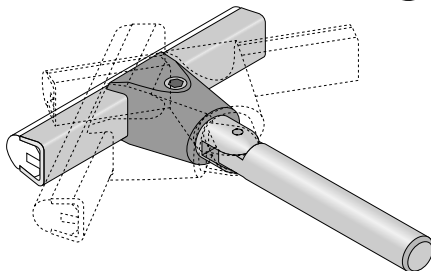
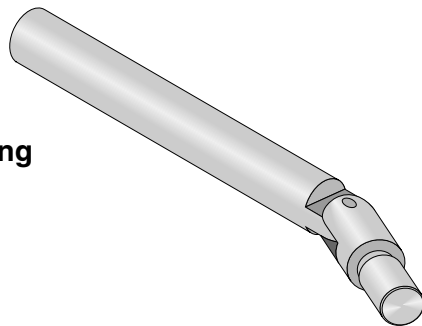
VG-020-R10 10 5/8

VG-020-R12 12 5/8

020J

Jointed Adjusting Rods: Grooved

For use with Valu Guide Rod Ends (VG-019 or VG-020) as a connector for curved or angled guide rail.



Material: Stainless steel.

Part Number Length (in.) Ø (in.)

VG-020J-R3 3 1/2

VG-020J-R4 4 5/8

VG-020J-R5 5 1/2

VG-020J-R6 6 5/8

VG-020J-R7 7 1/2

VG-020J-R8 8 5/8

VG-020J-R9 9 1/2

VG-020J-R10 10 5/8

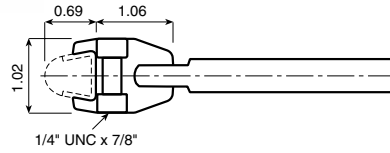
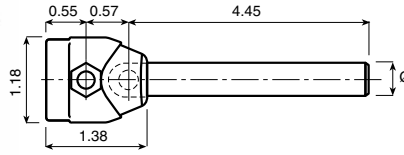
Guide Rails and Hardware



3316

Swivel Clamp

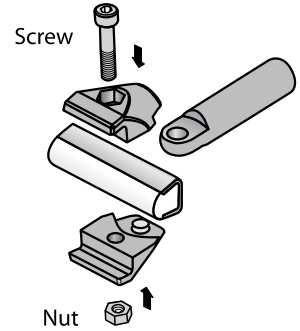
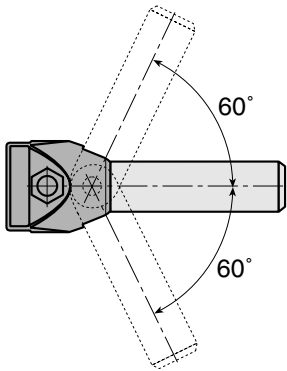
Use as a connector for curved or angled guide rail.



Material: Reinforced polyamide with stainless steel fasteners.

| Part Number | Ø (in.) |
|---------------|---------------------|
| 33167 | (clamp only) |
| 33168A | 1/2 |
| 33168B | 5/8 |

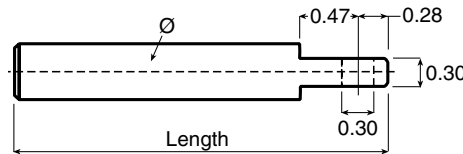
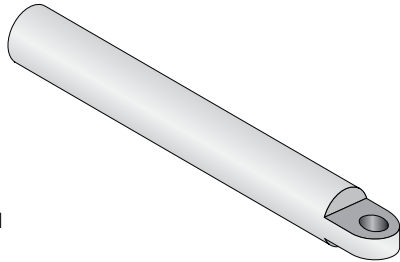
Guide Rails and Hardware



33928

Adjusting Rod for Rod End

Polished stainless steel rod attaches to 33167 rod end. Holds rail firmly in position and adjusts quickly when required.



Material: Stainless steel.

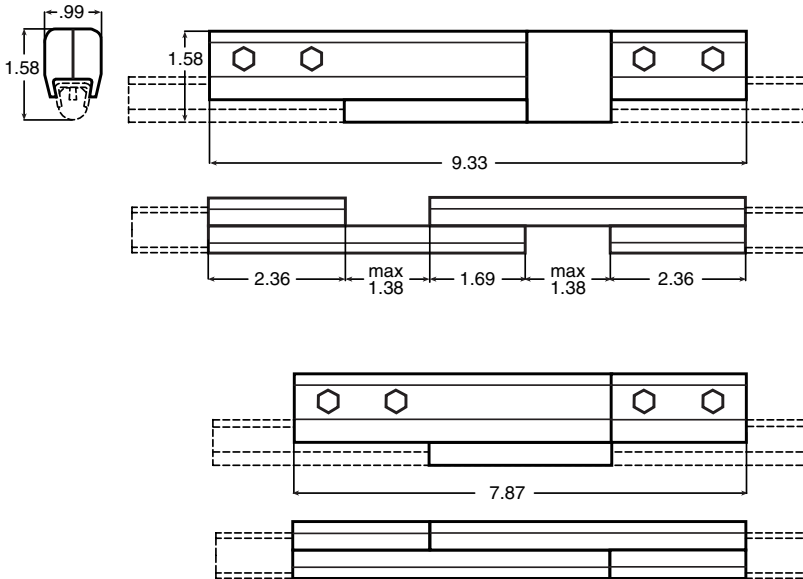
| Part Number | Length (in.) | Ø (in.) |
|--------------|--------------|------------|
| 33928 | 5 | 5/8 |



131170

Adjustable Guide Rail Clamp

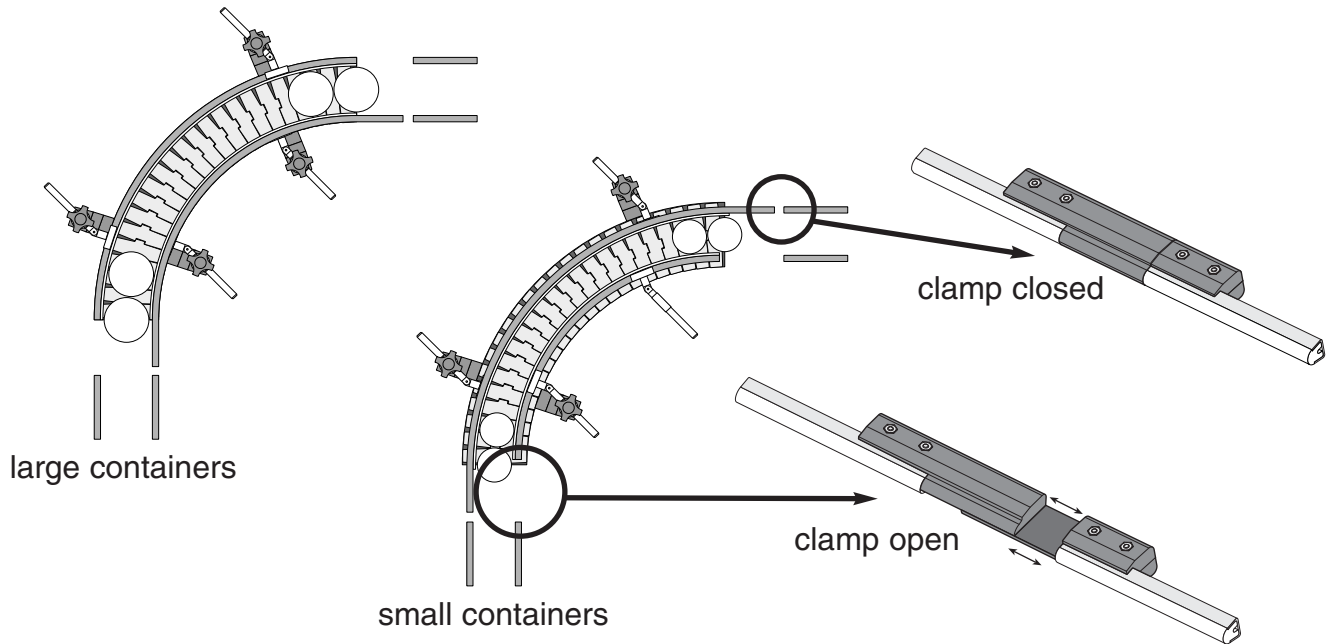
Use as a connector for guide rail.



Material: Polyamide clamp with stainless steel and nickel plated brass fasteners.

| Part Number | Guide Rail |
|-------------|------------|
| 131170 | VG-SSR |

Guide Rails and Hardware

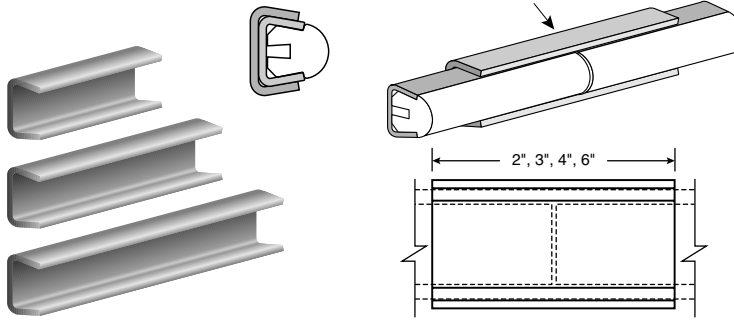


Rail Splicing Clamps

013

Splice Sleeve

Connects ends of two guide rails. This tight fitting sleeve can be tapped on with a hammer. No screws or bolts are necessary. For increased corrosion resistance, VG-013-01-316 is made from 316 stainless steel.



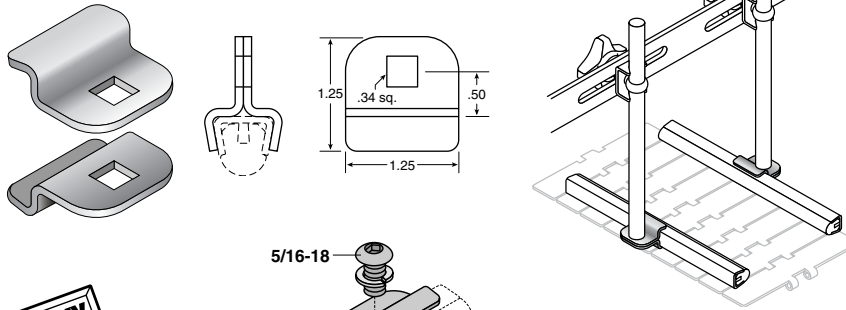
Material: Stainless steel, 14 gauge. **VG-013-01-316** is 316 stainless steel.

| Part Number | Length (in.) |
|----------------------|--------------|
| VG-013-01 | 2 |
| VG-013-01-316 | 2 |
| VG-013-03 | 3 |
| VG-013-06 | 6 |

113-01

Heavy Duty Clip

Two piece compression style for easy assembly and adjustment. Heavy duty, rigid support, installs easily over rail.



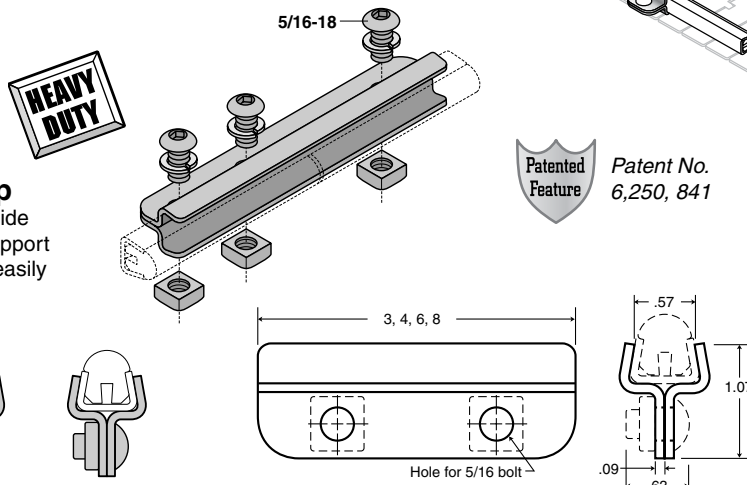
Material: Stainless steel, 13 gauge.

| Part Number | Fastener |
|------------------|-------------|
| VG-113-01 | 5/16 |

113

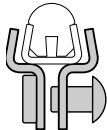
Rail Splice Clamp

Connects ends of two guide rails. Heavy duty, rigid support resists bending, installs easily over rail. Patent pending. Hardware included.

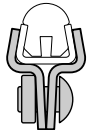


Material: Stainless steel, 13 gauge.

| Part Number | Length (in.) |
|-------------------|--------------|
| VG-113-03 | 3 |
| VG-113-04 | 4 |
| VG-113-06 | 6 |
| VG-113-08 | 8 |
| VG-113-08G | Gap |



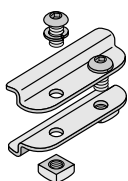
Before tightening



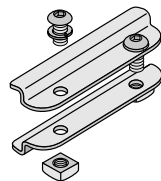
Jaws compress on rail



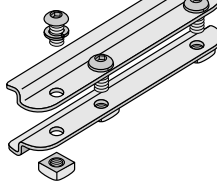
After tightening



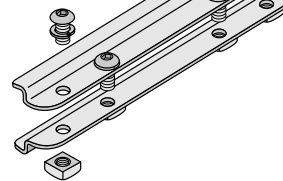
VG-113-03



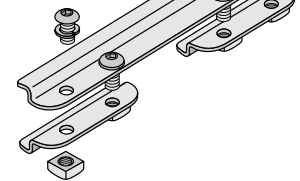
VG-113-04



VG-113-06



VG-113-08

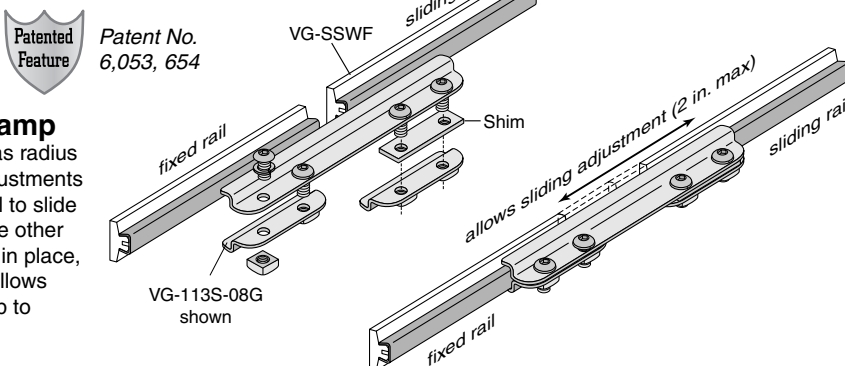


VG-113-08G

113S

Sliding Splice Clamp

Used in situations such as radius turns where frequent adjustments are made. Allows one rail to slide within the clamp while the other remains fixed. With shim in place, clamp positions rail but allows sliding for adjustments up to 2 inches.



Material: Stainless steel.

| Part Number | Length (in.) |
|--------------------|--------------|
| VG-113S-06 | 6 |
| VG-113S-08 | 8 |
| VG-113S-08G | Gap |

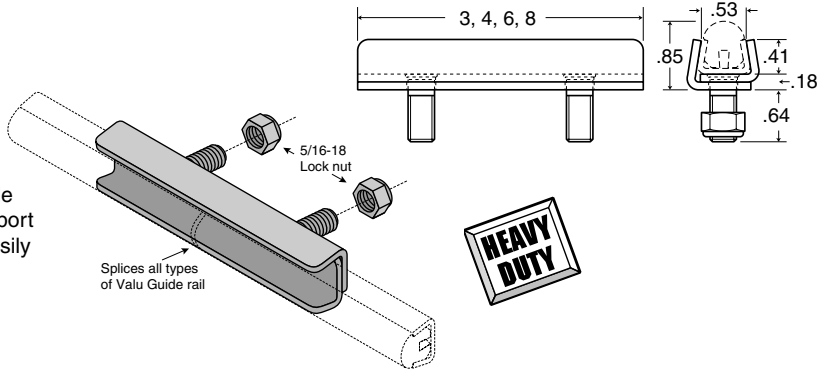
Rail Splicing Clamps



118

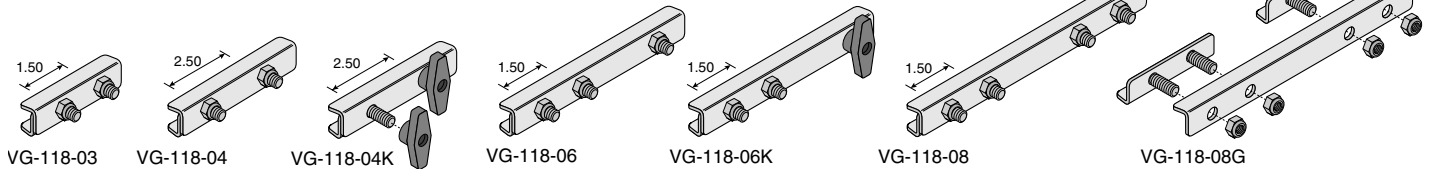
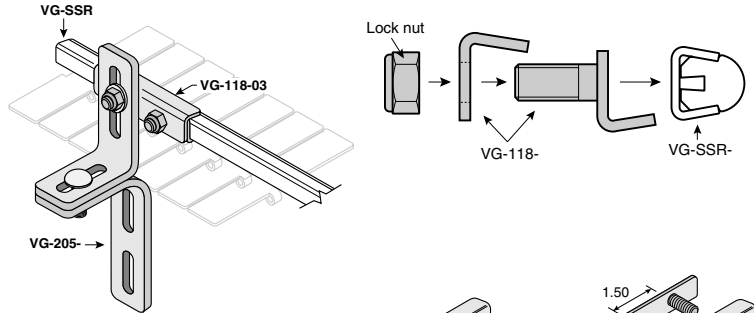
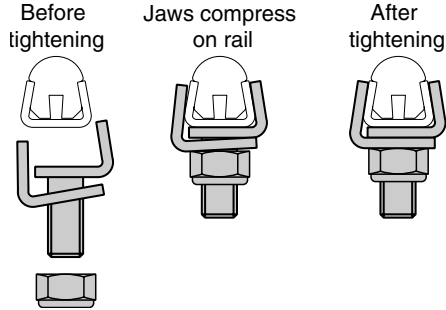
Rail Splice Clamp

Connects ends of two guide rails. Heavy duty, rigid support resists bending, installs easily over rail and can be bolted directly to a bracket. Patent pending. Hardware included.



Material: Stainless steel, 13 gauge.

| Part Number | Length (in.) |
|-------------|--------------|
| VG-118-03 | 3 |
| VG-118-04 | 4 |
| VG-118-04K | Knob |
| VG-118-06 | 6 |
| VG-118-06K | Knob |
| VG-118-08 | 8 |
| VG-118-08G | Gap |
| VG-118M-04 | M8 thread |



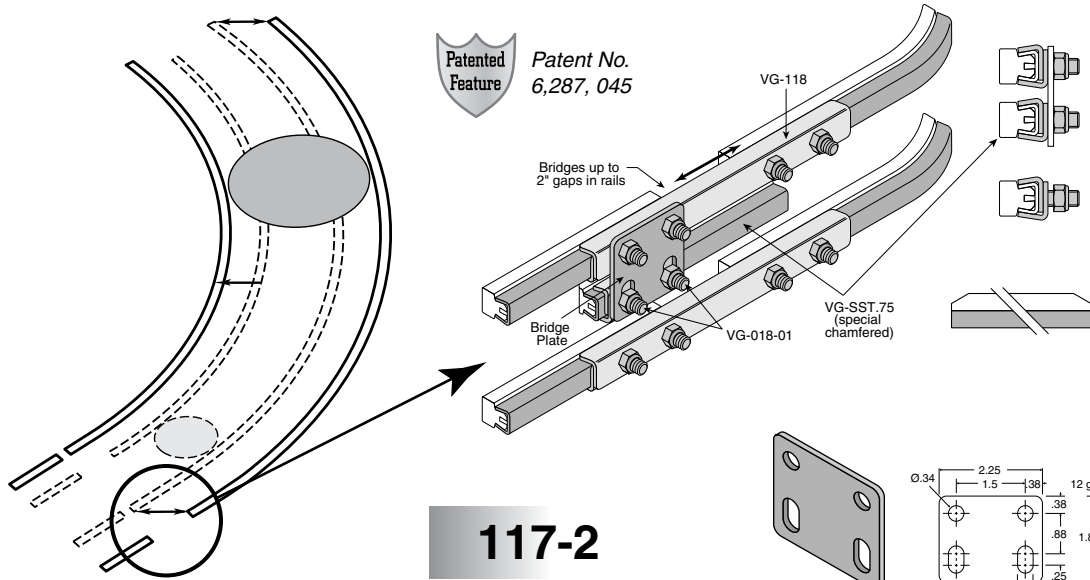
118B

Guide Rail Bridge Kit

Provides continuity in side guide surface by bridging a gap that is sometimes created when adjusting rails for larger container sizes.

Kit includes:

- 1 - VG-118
- Bridge Plate
- 2 - VG-018-01
- 6" piece chamfered rail
- Hardware



| Part Number | Rail | Length(in.) |
|-------------|-----------|-------------|
| VG-118B-06R | VG-SSR | 6 |
| VG-118B-06T | VG-SST.75 | 6 |
| VG-118B-08R | VG-SSR | 8 |
| VG-118B-08T | VG-SST.75 | 8 |

Note: Use "R" rail to bridge Round, Modified and Flat profiles. Use the "T" for all other Tee profiles.

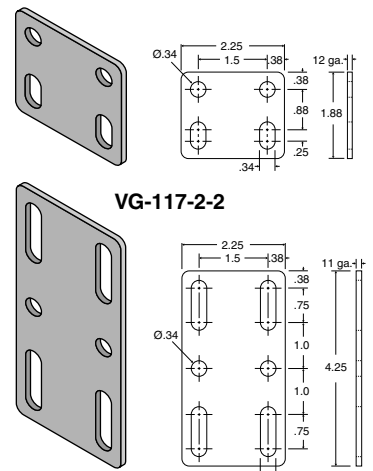
117-2

Universal Mounting and Splice Plates

Individual stainless plates for various mounting and splicing uses.

Material: Stainless steel.

| Part Number | H | W |
|-------------|------|------|
| VG-117-2-2 | 1.88 | 2.25 |
| VG-117-2-4 | 4.25 | 2.25 |



VG-117-2-4

Guide Rails and Hardware



Rail Clips

018

Heavy Duty Clip

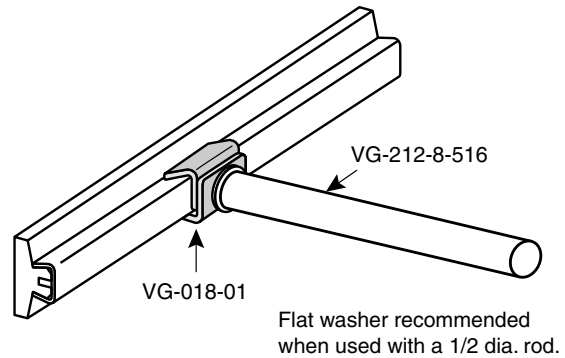
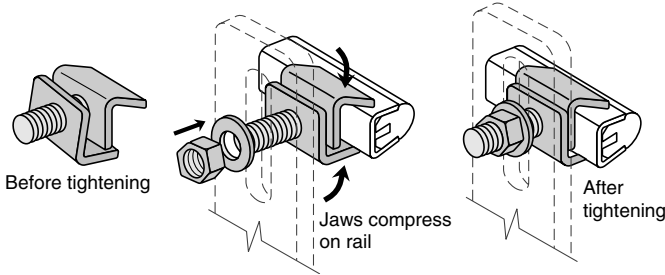
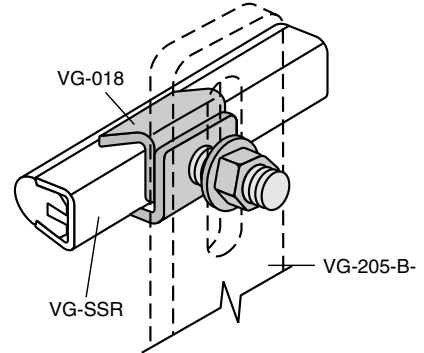
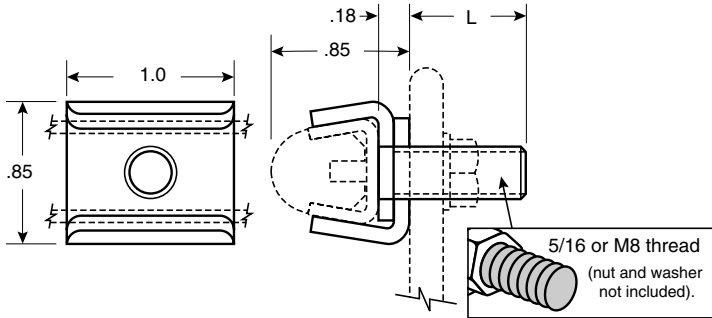
Heavy duty support for guide rail. Two piece compression style for easy assembly and adjustment. Works with brackets, support beams and adjusting rods. Available in 4 stud lengths. The VG-018 offers excellent corrosion resistance. Recommended max. torque: 17 ft-lbs or 23 N•m.



Material: 13 ga. stainless steel.

| Part Number | Bolt Length (L) | Thread |
|-------------|-----------------|--------|
| VG-018-01 | .675 | 5/16 |
| VG-018-02 | .75 | 5/16 |
| VG-018-03 | 1.0 | 5/16 |
| VG-018-04 | 1.25 | 5/16 |
| VG-018M-01 | 15mm | M8 |
| VG-018M-02 | 20mm | M8 |
| VG-018M-03 | 25.5mm | M8 |
| VG-018M-04 | 30mm | M8 |

Guide Rails and Hardware



014H

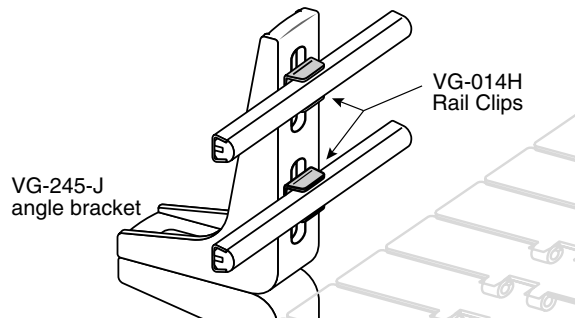
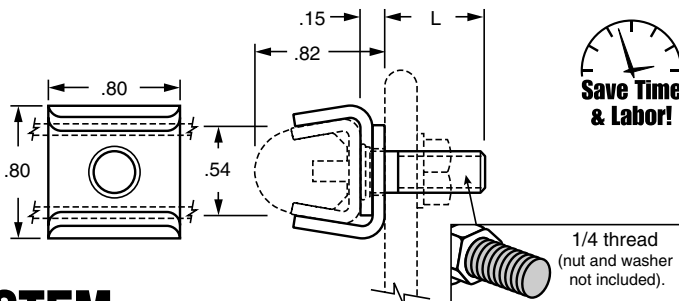
Self Tightening Clip

Medium duty clip for supporting guide rails. Jaws of clip open for easy attachment then clamp onto rail when tightened. This is an upgrade from the standard VG-014 clip. Nut not supplied. Recommended torque: 10ft-lb.



Material: Stainless steel, 14 ga.

| Part Number | Bolt Length (L) | Thread |
|-------------|-----------------|--------|
| VG-014H-01 | .60 | 1/4 |
| VG-014H-02 | .85 | 1/4 |



SYSTEM PLAST™

©2015 Regal-Beloit Corporation, All Rights Reserved.



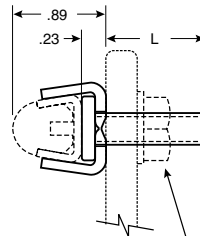
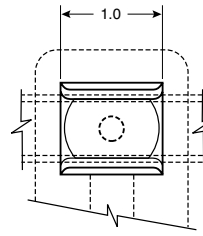
015

Self Tightening Clip

Heavy duty support for guide rail. Automatically clamps onto Valu Guide rail when the bolt is tightened. Available in 4 bolt lengths, the VG-015 clip saves assembly time and can be used with brackets or support beams. Recommended max. torque: 19 ft-lbs or 26 N•m.



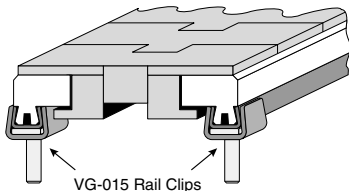
Patent No. 5,803,687



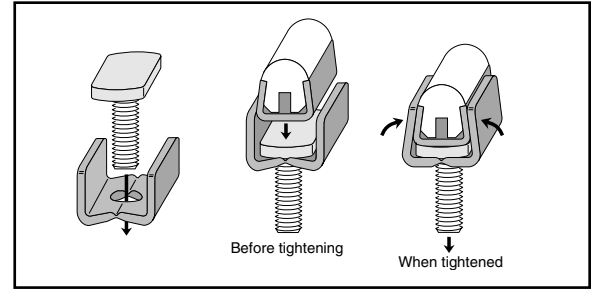
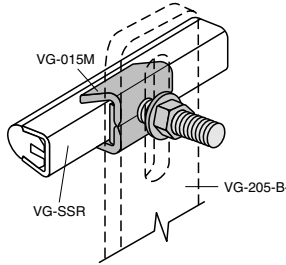
5/16 or M8 thread (nut and washer not included).

Material: Stainless steel, 13 ga.

| Part Number | Bolt Length (L) | Thread |
|-------------|-----------------|--------|
| VG-015-01 | .64 | 5/16 |
| VG-015-02 | .76 | 5/16 |
| VG-015-03 | 1.01 | 5/16 |
| VG-015-04 | 1.26 | 5/16 |
| VG-015M-01 | 16mm | M8 |
| VG-015M-02 | 19mm | M8 |
| VG-015M-04 | 32mm | M8 |



Shown with VG-SSTG/GSTG-02 Tab Chain Guide Rail

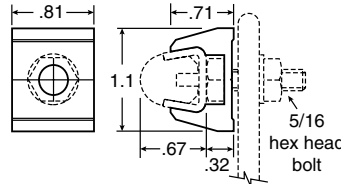
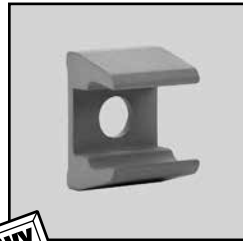


Guide Rails and Hardware

016

Aluminum Compression Clip

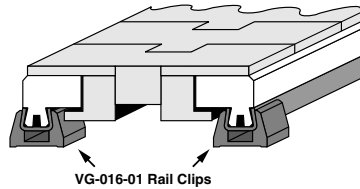
Heavy duty support for guide rail. Can be used on most industrial applications. Clip grips onto rail when the bolt is tightened.



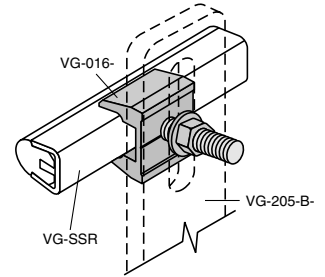
VG-017 Backing Plate is required when attaching to an adjusting rod.

Material: Aluminum or anodized aluminum.

| Part Number | Aluminum | Anodized | Fastener |
|-------------|----------|----------|----------|
| VG-016-01 | • | | 5/16 |
| VG-016-03 | | • | 5/16 |



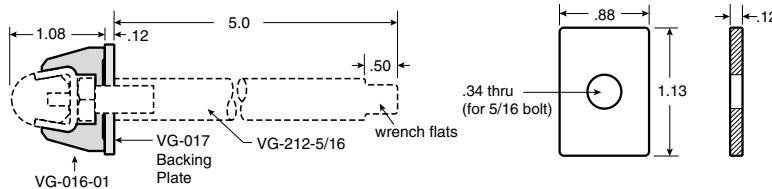
VG-016-01 Rail Clips



017

Backing Plate

Makes VG-016 close tightly onto rail when used for rod end applications.



Material: Stainless steel.

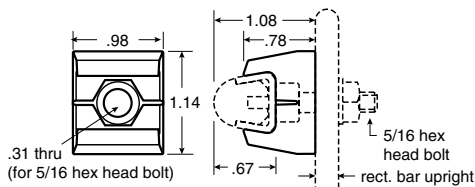
| Part Number | Material |
|-------------|-----------------|
| VG-017 | Stainless steel |

016



Plastic Compression Clip

For light duty applications. Connects guide rail to brackets or adjusting rods. When the clip is installed loose, the rail can be snapped into the clip. As the bolt is tightened, clamping force on the rail increases.



Material: Acetal.

| Part Number | Fastener |
|-------------|----------|
| VG-016-02 | 5/16 |

Not recommended for use with adjusting rods or on wear beds.

Round Guide Rail and Clamps

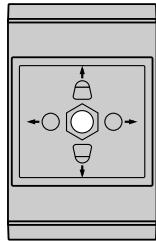
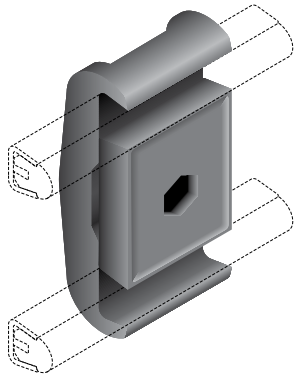
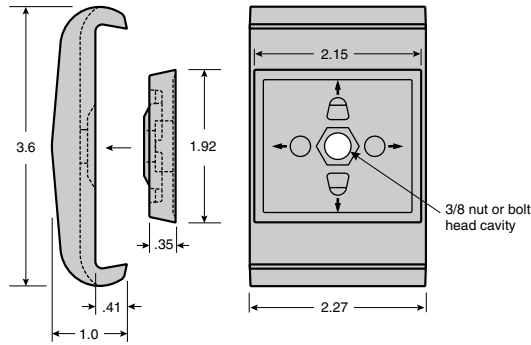
011-01-P

Plastic Double Rail Clamp for Rod or Rail

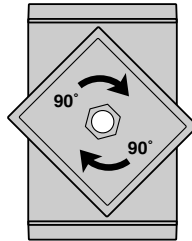
Support for 1/2 in. round rod or Valu Guide rail. Can be used with flat brackets up to 1-1/2 in. wide or with male or female adjusting rods. Two piece, self centering assembly.

Material: Reinforced polyamide.

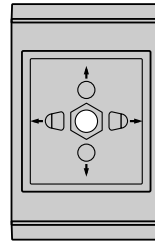
| Part Number | Fastener |
|----------------|----------|
| VG-011-01-P-38 | 3/8 |



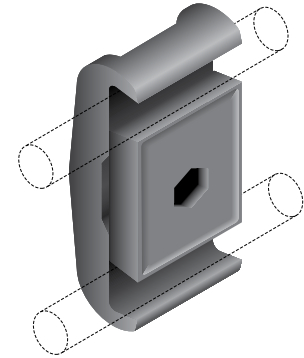
For Valu Guide rail



Rotate center piece 90°



For 1/2 in. round rod



021

Rod Clamp for Rod or Flat Bar

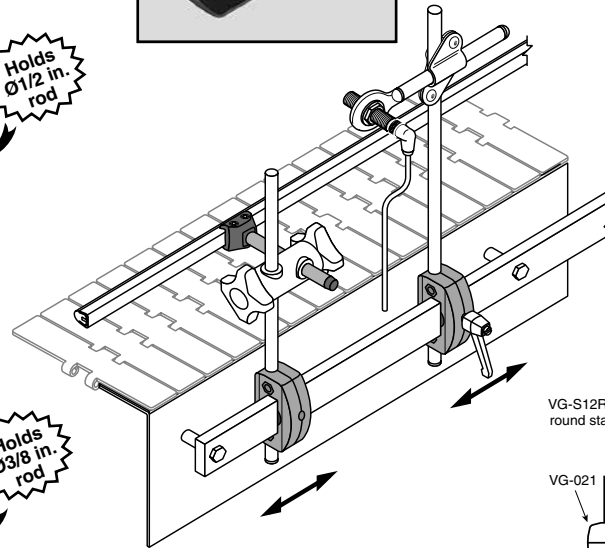
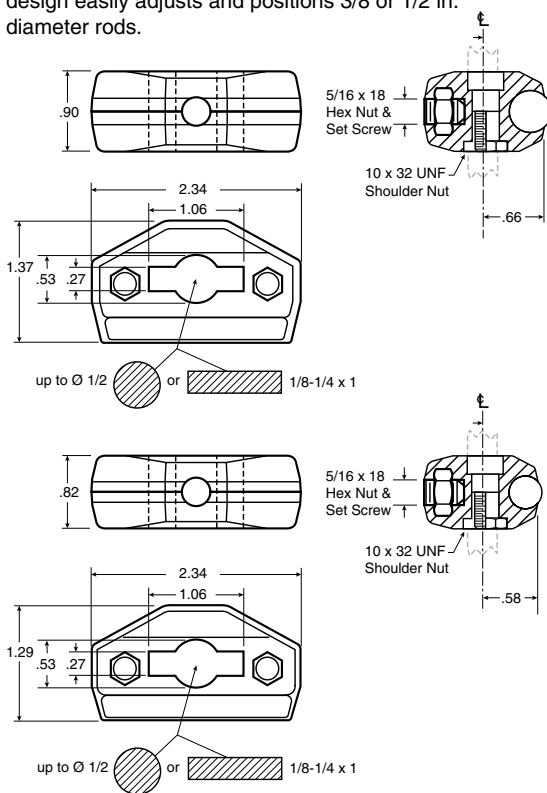
Mounts on flat bar up to 1 x 1/4 in. or rods up to 1/2 in. diameter. Corrosion resistant design easily adjusts and positions 3/8 or 1/2 in. diameter rods.

Quick Claw
Longer nut threads allow clamp to open while assembly stays intact!

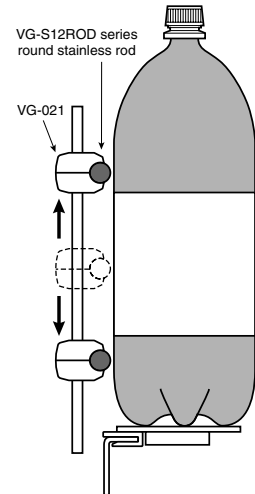
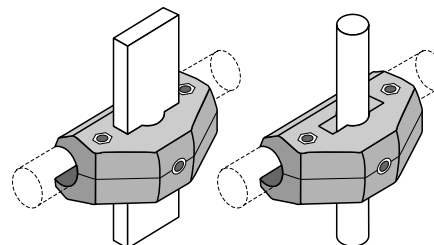


Material: Polyamide clamp with nickel plated brass and stainless steel fasteners.

| Part Number | Rod Dia. (in.) |
|-------------|----------------|
| VG-021-02 | 1/2 |



Patent No. 6,685,385



SYSTEM PLAST™

©2015 Regal-Beloit Corporation, All Rights Reserved.



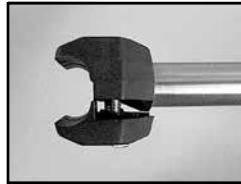
032

Clamp and Metal Rod Combination for Round Rod

A double bolt clamp with increased grip strength. Clamp is molded onto 1/2 inch OD stainless steel tube, for a cost effective way to provide strong rod support. Special hardware keeps jaws assembled during rod attachment.



Quick Claw
Longer nut threads allow clamp to open while assembly stays intact!

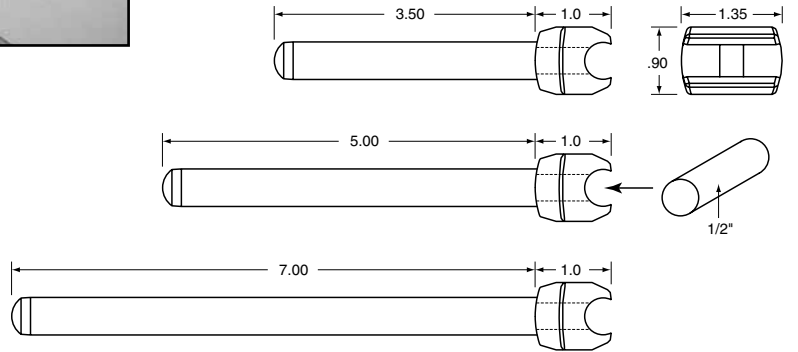


Includes patented features. Patent No. 5,626,221

One-Piece, Integral Design!

Material: Polyamide clamp with stainless steel rod, nickel plated brass and stainless steel fasteners.

| Part Number | Rod Length (in.) |
|--------------|------------------|
| VG-032-12-35 | 3.5 |
| VG-032-12-50 | 5.0 |
| VG-032-12-70 | 7.0 |

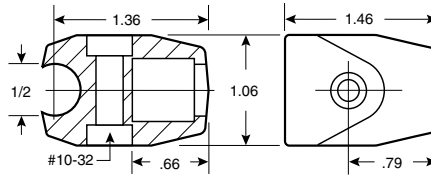


Guide Rails and Hardware

019

Rod End

Attaches to VG-020-R adjusting rods for use as a connector to hold and easily adjust 1/2 round guide rod.



Material: Acetal clamp with stainless steel and nickel plated brass fasteners.

| Part Number |
|-------------|
| VG-019-12 |

Quick Claw
Longer nut threads allow clamp to open while assembly stays intact!

See page 229 for adjusting rod information

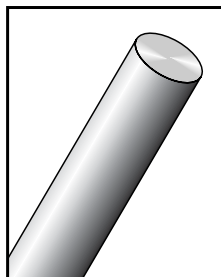
Valu Guide's selection of holding devices for round rod can be used in many different applications. Although side guide rail is a common use for round rod, these versatile clamps can hold and adjust round rod vertically for additional positioning options.

S12ROD

Steel Rod

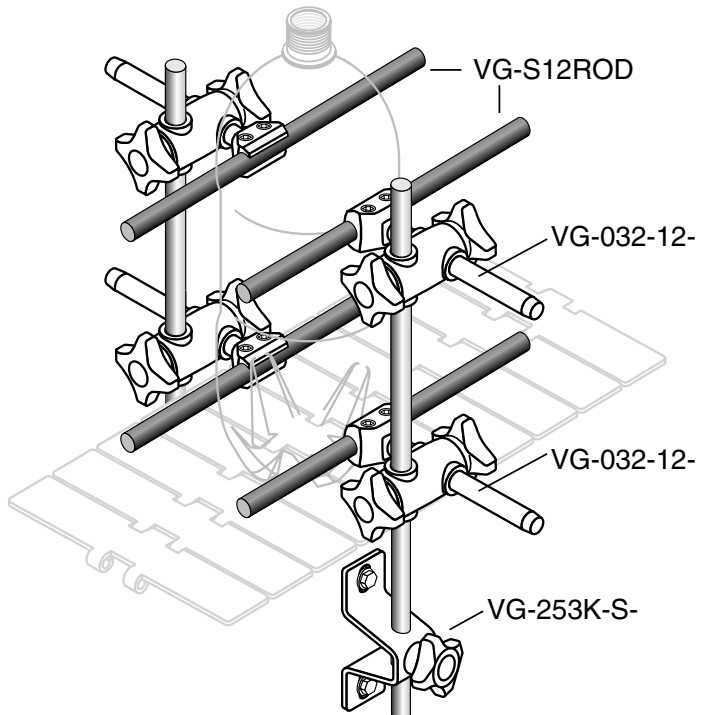
Polished stainless steel rod, 1/2 inch diameter. Used as a side guide or as a vertical positioning support.

See page 262 for 1/2" UHMW round bar.

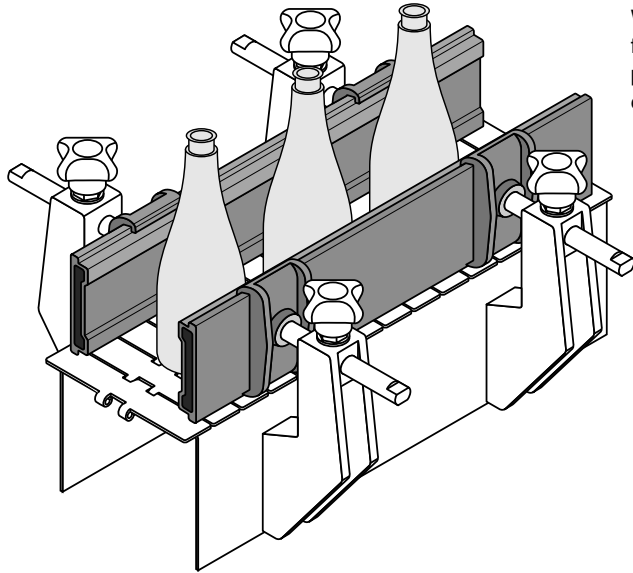


Material: Stainless steel.

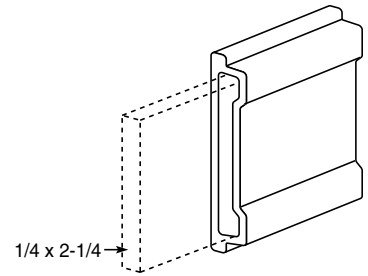
| Part Number | Length (ft.) |
|--------------|--------------|
| VG-S12ROD-8 | 8 |
| VG-S12ROD-12 | 12 |



Wide Guide™ Rail and Clamps



Wide Guide™ is a non-corrosive, easy to bend side guide for package or container conveying. Complete with compatible clamps and adjusting rods, Wide Guide™ is a cost effective alternative to other multi-rail systems.

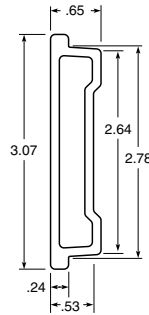
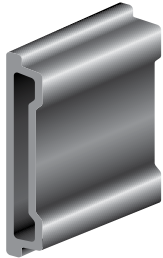


For added support with heavy side loads or in corner applications, Wide Guide™ is used in conjunction with a customer supplied internal bar or structural channel.

Guide Rails
and Hardware

19082

Wide Guide



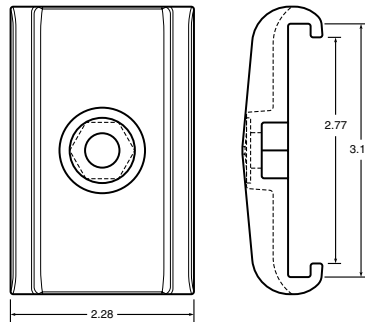
Material: Black or blue Polyethylene

| Part Number | Color | Length |
|-------------|-------|--------|
| 19082L | black | 3m |
| 19082 | black | 6m |
| 19082BL | blue | 3m |
| 19082B | blue | 6m |

190

Wide Guide
Clamp

For use with Wide
Guide profile 19082.



Material: Black Polyamide clamp with stainless steel washer.

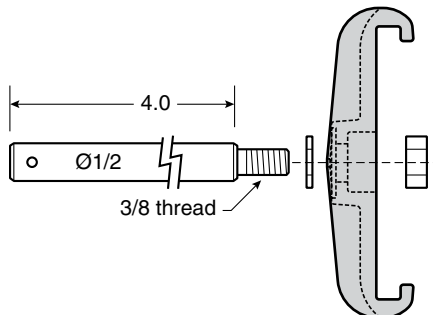
| Part Number | Nut Cavity Size |
|-------------|-----------------|
| VG-190 | M10 |
| VG-190-38 | 3/8 |



191

Wide Guide
Clamp with Rod

For use with Wide
Guide profile 19082.



Material: Black Polyamide clamp with stainless steel washer, rod and nut.

| Part Number | Ø Rod | Length |
|--------------|-------|--------|
| VG-191-252-4 | 1/2 | 4 |



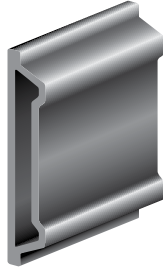
**SYSTEM
PLAST™**

©2015 Regal-Beloit Corporation, All Rights Reserved.



19050

Wide Guide



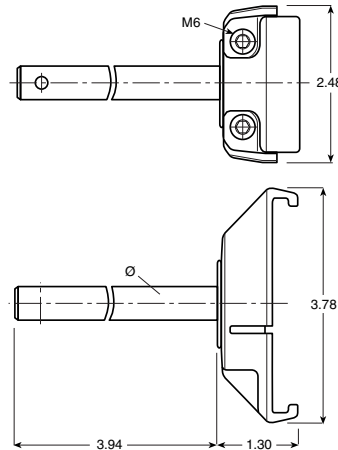
Material: Black or blue Polyethylene

| Part Number | Color | Length |
|---------------|--------------|-----------|
| 19050L | black | 3m |
| 19050 | black | 6m |

1371

Wide Guide
Clamp

For use with Wide Guide profile 19050.

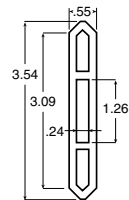


Material: Black Polyamide clamp with stainless steel bolt, rod and washer.

| Part Number | Ø Rod |
|--------------|-------------|
| 13718 | - |
| 13715 | 1/2 |
| 13716 | 9/16 |
| 13717 | 5/8 |

19098

Wide Guide



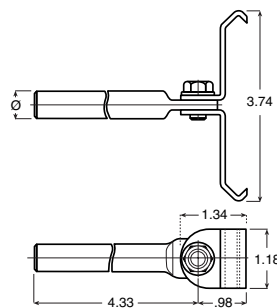
Material: Green Polyethylene

| Part Number | Color | Length |
|--------------|--------------|-----------|
| 19098 | green | 6m |

13982

Fixing Clamp

For use with Wide Guide profile 19098.



Material: Stainless steel clamp, rod, and screw.

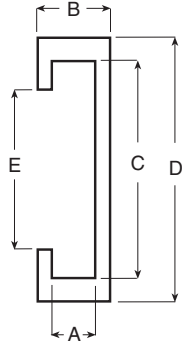
| Part Number | Ø Rod |
|--------------|------------|
| 13982 | 1/2 |

Guide Rails and Hardware

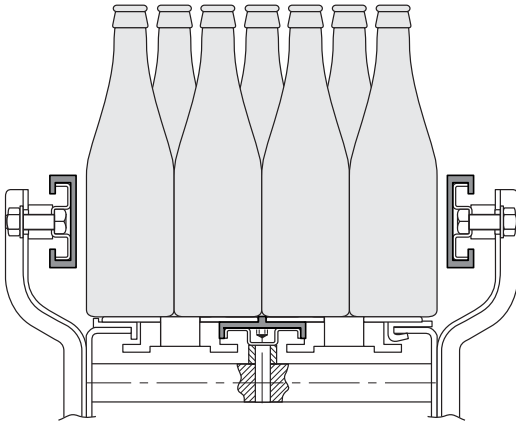


190 series

Side Guides



Guide Rails
and Hardware



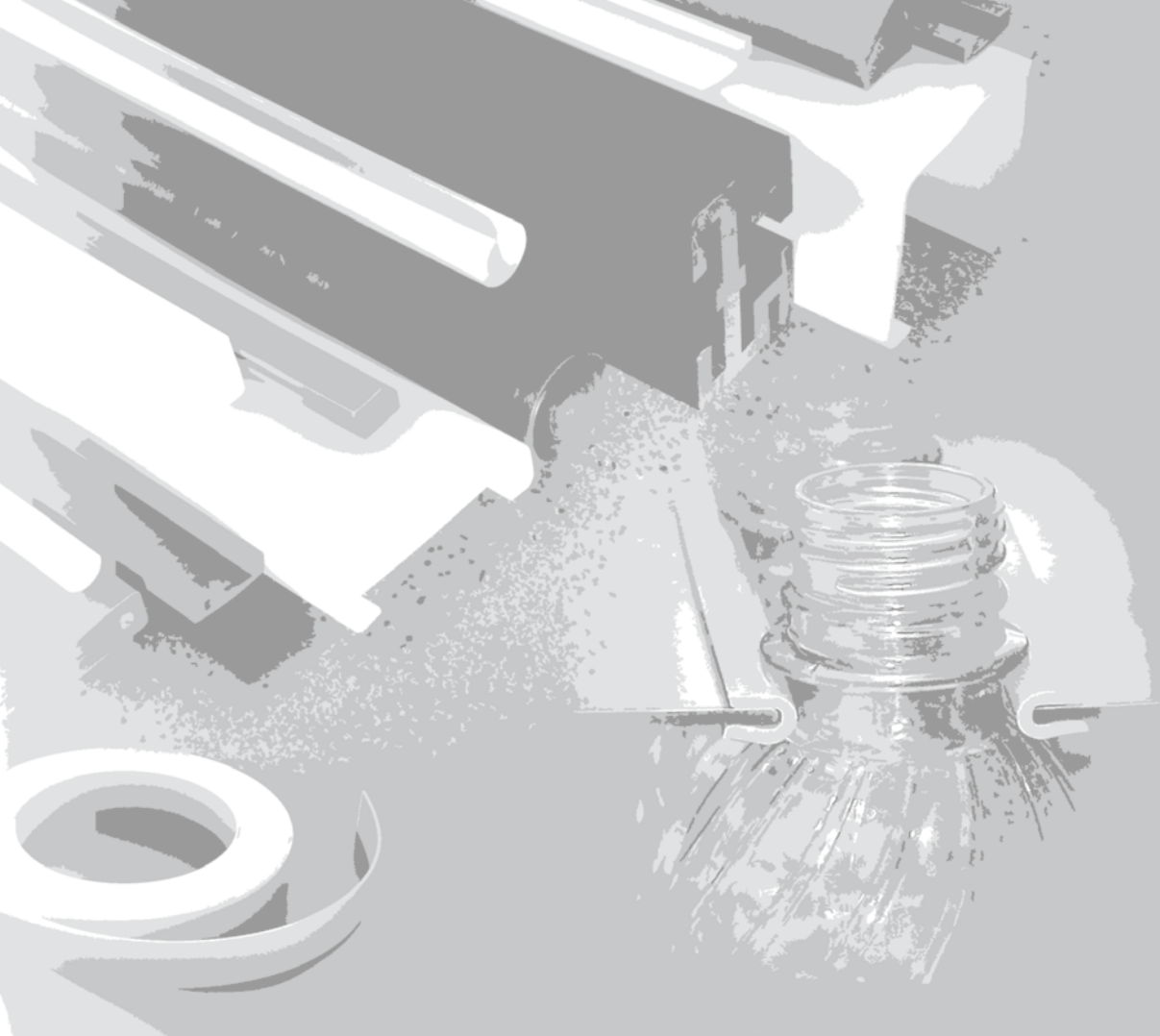
Material: Black or green Polyethylene.

| Part Number | A | B | C | D | E | Color | Length |
|-------------|-----|-----|------|------|------|-------|--------|
| 19080N* | .26 | .47 | 1.61 | 1.97 | 1.18 | black | 3m |
| 19080NL* | .26 | .47 | 1.61 | 1.97 | 1.18 | black | 6m |
| 19080V* | .26 | .47 | 1.61 | 1.97 | 1.18 | green | 3m |
| 19080VL* | .26 | .47 | 1.61 | 1.97 | 1.18 | green | 6m |
| 19053N** | .34 | .55 | 1.61 | 1.97 | 1.08 | black | 3m |
| 19053NL** | .34 | .55 | 1.61 | 1.97 | 1.08 | black | 6m |
| 19053V** | .34 | .55 | 1.61 | 1.97 | 1.08 | green | 3m |
| 19053VL** | .34 | .55 | 1.61 | 1.97 | 1.08 | green | 6m |
| 19081N*** | .41 | .63 | 1.61 | 1.97 | 1.38 | black | 3m |
| 19081NL*** | .41 | .63 | 1.61 | 1.97 | 1.38 | black | 6m |
| 19081V*** | .41 | .63 | 1.61 | 1.97 | 1.38 | green | 3m |
| 19081VL*** | .41 | .63 | 1.61 | 1.97 | 1.38 | green | 6m |
| 19052N | .26 | .47 | 2.01 | 2.36 | 1.42 | black | 3m |
| 19052NL | .26 | .47 | 2.01 | 2.36 | 1.42 | black | 6m |
| 19052V | .26 | .47 | 2.01 | 2.36 | 1.42 | green | 3m |
| 19052VL | .26 | .47 | 2.01 | 2.36 | 1.42 | green | 6m |

* Can also be used with 19077 M-Profile on page 276.

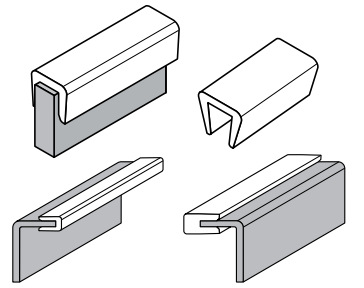
** Can also be used with 190265 M-Profile on page 276.

*** Can also be used with 19079 M-Profile on page 276.

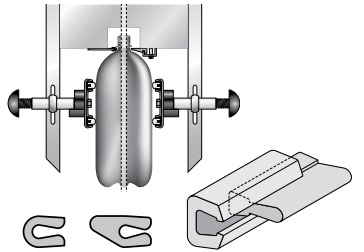


UHMW COVERS & ALUMINUM RAILS

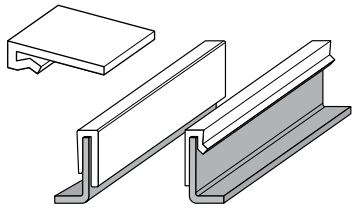
Section 4



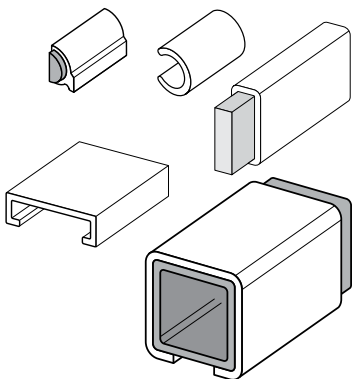
Bar Caps..... Page 242



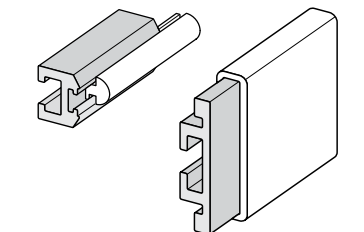
Neck and Bottle Guides Page 246



J-Leg Profiles... Page 248



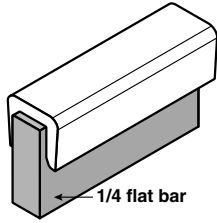
Bar and Tube Covers Page 252



UHMW Covers & Aluminum Rails Page 257



Bar Caps



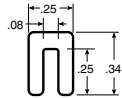
These low friction, wear resistant UHMW caps are designed to clip onto various thicknesses of flat bar material. Applications include conveyor belt supporting and conveyor side or neck guides.

1/16"
or
16 ga.



P116SBC

Clips onto 1/16 in. or 16 ga. flat bar. Can be used as a standard belt support.



Material: UHMW

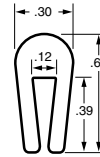
| Part Number | Length (ft.) |
|----------------|--------------|
| VG-P116SBC-10 | 10 |
| VG-P116SBC-20 | 20 |
| VG-P116SBC-100 | 100* |
| VG-P116SBC-250 | 250* |

1/8"
12 ga.
11 ga.



CSI

Clips onto 12 ga. or 11 ga. flat bar. Can be used as a special belt support or neck guide.

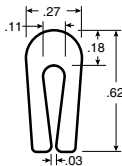


Material: UHMW

| Part Number | Length (ft.) |
|----------------|--------------|
| VG-CSI-538-10 | 10 |
| VG-CSI-538-20 | 20 |
| VG-CSI-538-100 | 100* |
| VG-CSI-538-250 | 250* |

P104D

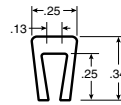
Clips onto 1/16 in. or 16 ga. flat bar. Can be used for heavy duty applications.



| | |
|--------------|------|
| VG-P104D-10 | 10 |
| VG-P104D-20 | 20 |
| VG-P104D-100 | 100* |
| VG-P104D-250 | 250* |

P204

Clips onto 1/8 in., 12 ga., or 11 ga. flat bar. Can be used as a special belt support.

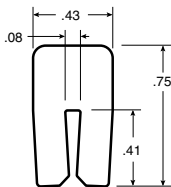


Material: UHMW or Grey Nolu-S.

| Part Number | UHMW | Nolu-S | Length (ft.) |
|----------------|------|--------|--------------|
| VG-P204-10 | • | | 10 |
| VG-P204-20 | • | | 20 |
| VG-P204-NS-100 | | • | 100* |
| VG-P204-NS-250 | | • | 250* |

P116HD

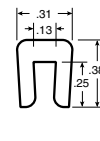
Clips onto 1/16 in. or 16 ga. flat bar. Can be used as a narrow belt support or for other heavy duty applications.



| | |
|--------------|----|
| VG-P116HD-10 | 10 |
| VG-P116HD-20 | 20 |

P18SBC

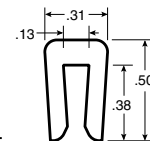
Clips onto 1/8 in., 12 ga., or 11 ga. flat bar. Can be used as a standard belt support.



| | |
|---------------|------|
| VG-P18SBC-10 | 10 |
| VG-P18SBC-20 | 20 |
| VG-P18SBC-100 | 100* |
| VG-P18SBC-250 | 250* |

P18BC

Clips onto 1/8 in., 12 ga., or 11 ga. flat bar. Can be used for standard applications.



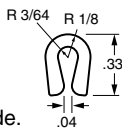
| | |
|--------------|------|
| VG-P18BC-10 | 10 |
| VG-P18BC-20 | 20 |
| VG-P18BC-100 | 100* |
| VG-P18BC-250 | 250* |

3/32"
or
13 ga.



P105R

Clips onto 3/32 in. or 13 ga. flat bar. Can be used as a neck guide.



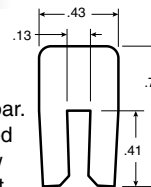
Material: Grey Nolu-S or Grey Nolu-SR.

| Part Number | Nolu-SR | Nolu-S | Length (ft.) |
|----------------|---------|--------|--------------|
| VG-P105R-100 | • | | 100* |
| VG-P105RCL-100 | • | | 100* |
| VG-P105R-250 | • | | 250* |
| VG-P105RCL-250 | • | | 250* |

Nolu-SR helps guide PET containers in high speed applications.

P18HD

Clips onto 1/8 in., 12 ga., or 11 ga. flat bar. Can be used as a narrow belt support or for other heavy duty applications.



Material: UHMW or Grey Nolu-S.

| Part Number | UHMW | Nolu-S | Length (ft.) |
|----------------|------|--------|--------------|
| VG-P18HD-NS-10 | • | | 10 |
| VG-P18HD-NS-20 | • | | 20 |
| VG-P18HD-100 | • | | 100* |
| VG-P18HD-250 | • | | 250* |

*Extruded profiles stored in coils will have the tendency to retain a certain deformation when uncoiled, therefore consistency in the profile cross section over the full length of the coil cannot be guaranteed.

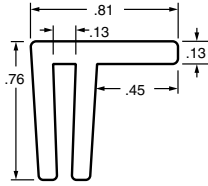


1/8"
12 ga.
11 ga.



P1345

Clips onto 1/8 in., 12 ga., or 11 ga. flat bar. Can be used for belt retention or support.



Material: UHMW

| Part Number | Length (ft.) |
|-------------|--------------|
| VG-P1345-10 | 10 |
| VG-P1345-20 | 20 |



Shipping Information: UHMW covers and inserts are typically shipped straight in tubes. 8' lengths can be shipped UPS. Standard 10' or 20' lengths are shipped by common carrier. Selected items can be coiled into cartons for more convenient shipping.

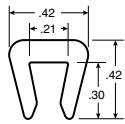
Extended Coil Lengths: Items marked with this symbol are available in continuous lengths of 100' or more. These items must be coiled for shipping and handling.

3/16"
or
7 ga.



P316BC

Clips onto 3/16 flat bar. Can be used as a standard belt support.



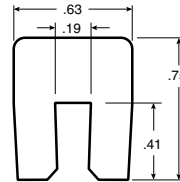
Material: UHMW

| Part Number | Length (ft.) |
|---------------|--------------|
| VG-P316BC-10 | 10 |
| VG-P316BC-20 | 20 |
| VG-P316BC-100 | 100* |
| VG-P316BC-250 | 250* |



P316HD

Clips onto 3/16 flat bar. Can be used as a heavy duty belt support.

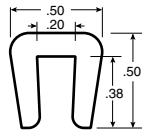


Material: UHMW

| Part Number | Length (ft.) |
|--------------|--------------|
| VG-P316HD-10 | 10 |
| VG-P316HD-20 | 20 |

P316SBC

Clips onto 3/16 flat bar. Can be used as a standard belt support.

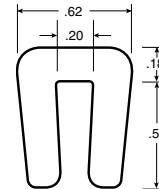


| | |
|----------------|------|
| VG-P316SBC-10 | 10 |
| VG-P316SBC-20 | 20 |
| VG-P316SBC-100 | 100* |
| VG-P316SBC-250 | 250* |



P7GABC

Clips onto 7 ga. steel. Can be used as a standard belt support. KVP equivalent wearstrip.

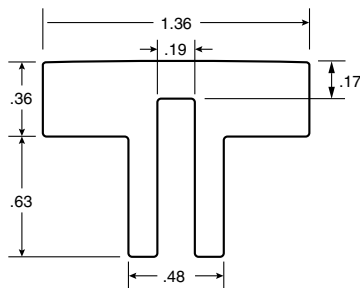


| | |
|---------------|------|
| VG-P7GABC-10 | 10 |
| VG-P7GABC-20 | 20 |
| VG-P7GABC-100 | 100* |
| VG-P7GABC-250 | 250* |



P316TBC

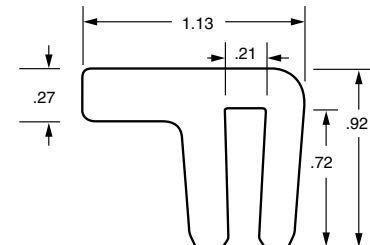
Clips onto 3/16 flat bar. Can be used as a standard belt support.



| | |
|---------------|----|
| VG-P316TBC-10 | 10 |
| VG-P316TBC-20 | 20 |

P7GAHD

Clips onto 7 ga. steel. Can be used for belt retention or support. KVP equivalent wearstrip.



| | |
|--------------|----|
| VG-P7GAHD-10 | 10 |
| VG-P7GAHD-20 | 20 |

Options available for most wear strips:



Nolu-S UHMW:
(reduced friction)
add "-NS-" to
part number



Static Dissipative
UHMW:
add "-SD-" to
part number



Nolu-SR
UHMW:
add "-SR-" to
part number

Example: ↕
VG-P316HD-NS-10

*Extruded profiles stored in coils will have the tendency to retain a certain deformation when uncoiled, therefore consistency in the profile cross section over the full length of the coil cannot be guaranteed.



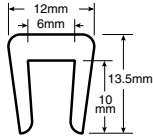
Bar Caps

6 mm



PM6BC

Clips onto 6 mm flat bar. Can be used as a standard belt support.



Material: UHMW

| Part Number | Length (ft.) |
|--------------|--------------|
| VG-PM6BC-10 | 10 |
| VG-PM6BC-20 | 20 |
| VG-PM6BC-100 | 100* |
| VG-PM6BC-250 | 250* |

Options available for most wear strips:



Nolu-S UHMW:
(reduced friction)
add "-NS-" to
part number



Static Dissipative
UHMW:
add "-SD-" to
part number



Nolu-SR
UHMW:
add "-SR-" to
part number

Example: \Downarrow
VG-P316HD-NS-10

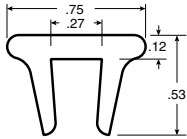
UHMW Covers &
Aluminum Rails

1/4"



P14TBC

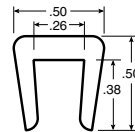
Clips onto 1/4 flat bar. Can be used as a special belt support.



| | |
|---------------|------|
| VG-P14TBC-10 | 10 |
| VG-P14TBC-20 | 20 |
| VG-P14TBC-100 | 100* |
| VG-P14TBC-250 | 250* |

P14BC

Clips onto 1/4 flat bar. Can be used as a standard belt support.

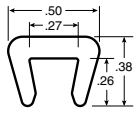


Material: UHMW

| Part Number | Length (ft.) |
|--------------|--------------|
| VG-P14BC-10 | 10 |
| VG-P14BC-20 | 20 |
| VG-P14BC-100 | 100* |
| VG-P14BC-250 | 250* |

P14SBC

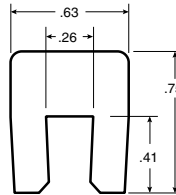
Clips onto 1/4 flat bar. Can be used as standard belt support.



| | |
|---------------|------|
| VG-P14SBC-10 | 10 |
| VG-P14SBC-20 | 20 |
| VG-P14SBC-100 | 100* |
| VG-P14SBC-250 | 250* |

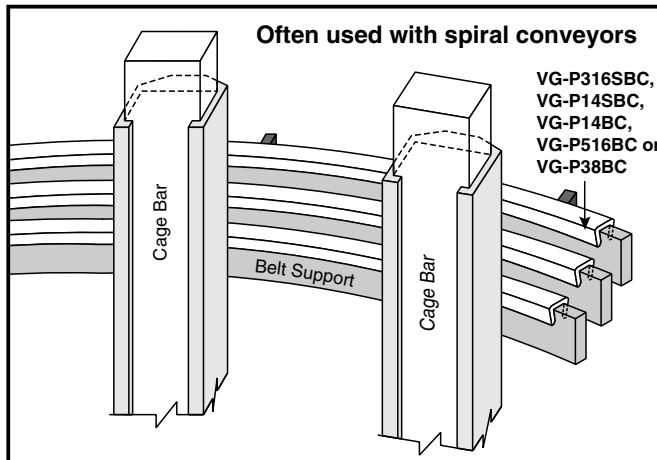
P14HD

Clips onto 1/4 flat bar. Can be used as a heavy duty belt support.



Material: Grey Nolu-S

| Part Number | Length (ft.) |
|----------------|--------------|
| VG-P14HD-NS-10 | 10 |
| VG-P14HD-NS-20 | 20 |



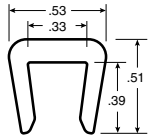


5/16"



P516BC

Clips onto 5/16 flat bar. Can be used as a standard belt support.



Material: UHMW

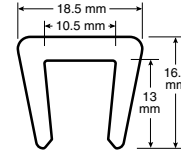
| Part Number | Length (ft.) |
|---------------|--------------|
| VG-P516BC-10 | 10 |
| VG-P516BC-20 | 20 |
| VG-P516BC-100 | 100* |
| VG-P516BC-250 | 250* |

10 mm



PM10BC

Clips onto 10 mm flat bar. Can be used as a standard belt support.



Material: UHMW

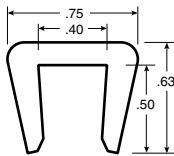
| Part Number | Length (ft.) |
|---------------|--------------|
| VG-PM10BC-10 | 10 |
| VG-PM10BC-20 | 20 |
| VG-PM10BC-100 | 100* |
| VG-PM10BC-250 | 250* |

3/8"



P38BC

Clips onto 3/8 flat bar. Can be used as a standard belt support.



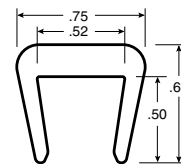
| | |
|--------------|------|
| VG-P38BC-10 | 10 |
| VG-P38BC-20 | 20 |
| VG-P38BC-100 | 100* |
| VG-P38BC-250 | 250* |

1/2"



P12BC

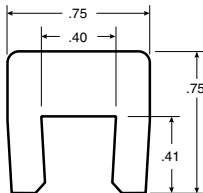
Clips onto 1/2 flat bar. Can be used as a standard belt support.



| | |
|--------------|------|
| VG-P12BC-10 | 10 |
| VG-P12BC-20 | 20 |
| VG-P12BC-100 | 100* |
| VG-P12BC-250 | 250* |

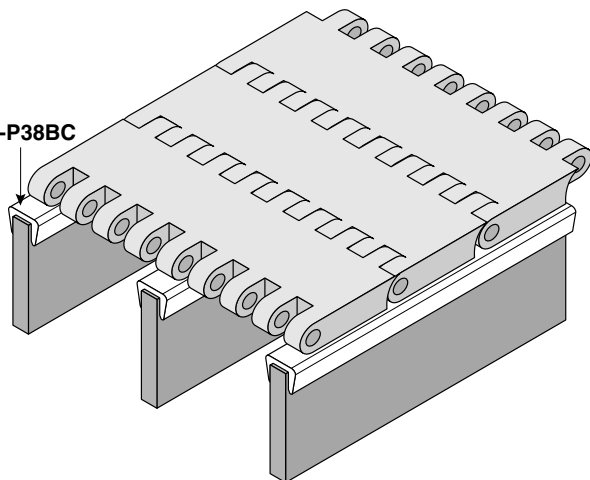
P38HD

Clips onto 3/8 flat bar. Can be used as an extra wide heavy duty belt support.



| | |
|-------------|----|
| VG-P38HD-10 | 10 |
| VG-P38HD-20 | 20 |

VG-P38BC



Shipping Information: UHMW covers and inserts are typically shipped straight in tubes. 8' lengths can be shipped UPS. Standard 10' or 20' lengths are shipped by common carrier. Selected items can be coiled into cartons for more convenient shipping.

Extended Coil Lengths: Items marked with this symbol are available in continuous lengths of 100' or more. These items must be coiled for shipping and handling.



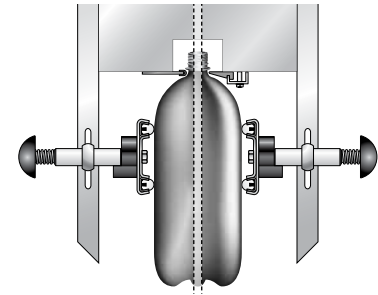
*Extruded profiles stored in coils will have the tendency to retain a certain deformation when uncoiled, therefore consistency in the profile cross section over the full length of the coil cannot be guaranteed.

Neck Guides

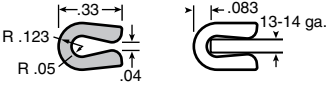
Neck Guides for PET Containers

Helps guide PET containers in high speed, air conveying applications. Nolu-SR is a proprietary blend of UHMW and other USDA accepted lubricants, resulting in a harder, lower friction material that is ideal in these applications. Though designs differ, the material of choice is Nolu-SR, proven to increase throughput, reduce jams and wear longer.

*Extruded profiles stored in coils will have the tendency to retain a certain deformation when uncoiled, therefore consistency in the profile cross section over the full length of the coil cannot be guaranteed.



P105R



Neck Guide

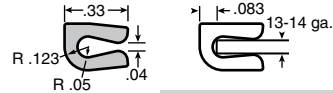
Clips onto 13 ga. (.090) or 14 ga. (.073) sheet metal.



Material: Dark Grey Nolu-SX.

| Part Number | Length (ft.) |
|-----------------|--------------|
| VG-P105R-SX-100 | 100* |
| VG-P105R-SX-250 | 250* |

P105F



Neck Guide

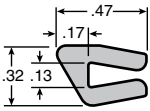
Clips onto 13 ga. (.090) or 14 ga. (.073) sheet metal.



Material: Dark Grey Nolu-SX.

| Part Number | Length (ft.) |
|-----------------|--------------|
| VG-P105F-SX-100 | 100* |
| VG-P105F-SX-250 | 250* |

NG47



Neck Guide

Clips onto 11 ga. (.120) sheet metal.



Material: Dark Grey Nolu-SX.

| Part Number | Length (ft.) |
|----------------|--------------|
| VG-NG47-SX-100 | 100* |
| VG-NG47-SX-250 | 250* |

NG49



Neck Guide

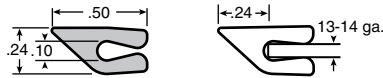
Clips onto 13 ga. (.090) or 14 ga. (.073) sheet metal.



Material: Dark Grey Nolu-SX.

| Part Number | Length (ft.) |
|----------------|--------------|
| VG-NG49-SX-100 | 100* |
| VG-NG49-SX-250 | 250* |

NG50



Neck Guide

Clips onto 13 ga. (.090) or 14 ga. (.073) sheet metal.



Material: Dark Grey Nolu-SX.

| Part Number | Length (ft.) |
|----------------|--------------|
| VG-NG50-SX-100 | 100* |
| VG-NG50-SX-250 | 250* |

NG51



Neck Guide

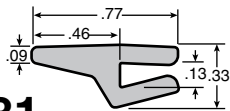
Clips onto 13 ga. (.090) or 14 ga. (.073) sheet metal.



Material: Dark Grey Nolu-SX.

| Part Number | Length (ft.) |
|----------------|--------------|
| VG-NG51-SX-100 | 100* |
| VG-NG51-SX-250 | 250* |

NG81



Neck Guide

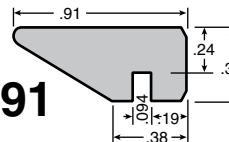
Clips onto 11 ga. (.120) sheet metal.



Material: Dark Grey Nolu-SX.

| Part Number | Length (ft.) |
|----------------|--------------|
| VG-NG81-SX-100 | 100* |
| VG-NG81-SX-250 | 250* |

NG91



Neck Guide

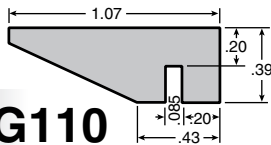
Replacement for various European equipment manufacturers.

Material: Dark Grey Nolu-SX.

| Part Number | Length (ft.) |
|---------------|--------------|
| VG-NG91-SX-10 | 10 |
| VG-NG91-SX-20 | 20 |

Also available in curves. See below.

NG110



Neck Guide

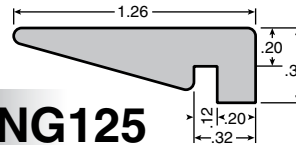
Replacement for various European equipment manufacturers.

Material: Nolu-SR.

| Part Number | Length (ft.) |
|----------------|--------------|
| VG-NG110-SR-10 | 10 |
| VG-NG110-SR-20 | 20 |

Also available in curves. See below.

NG125



Neck Guide

Replacement for various European equipment manufacturers.

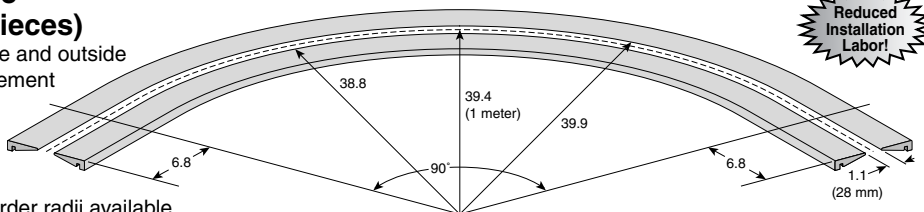
Material: Dark Grey Nolu-SX.

| Part Number | Length (ft.) |
|----------------|--------------|
| VG-NG125-SX-10 | 10 |
| VG-NG125-SX-20 | 20 |

Also available in curves. See below.

Neck Guide Curve (2 pieces)

Machined inside and outside curves. Replacement for various European equipment manufacturers. Other special order radii available.



Material: Nolu-SR.

| Part Number | Length (ft.) |
|------------------|--------------|
| VG-NG91-SR-1M28 | |
| VG-NG110-SR-1M28 | |
| VG-NG125-SR-1M28 | |

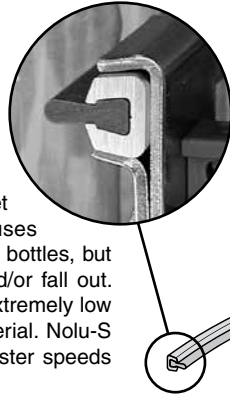
Shown in drawing to the left.

UHMW Covers & Aluminum Rails

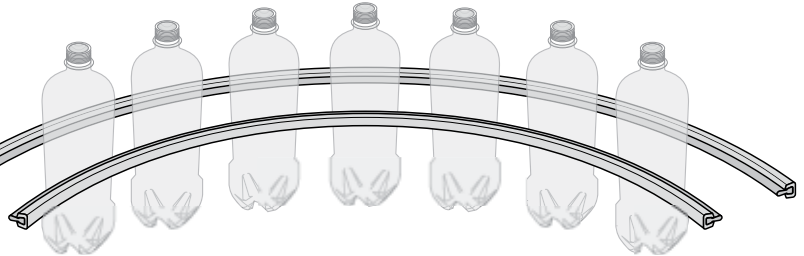


Bottle Guide

Aluminum guide rail with Nolu-S insert is used to guide containers, especially PET, in applications such as air conveying. Many air conveyor users and manufacturers have found that brush guides not only tend to get contaminated with debris, which causes increased friction and marking of PET bottles, but also the bristles can wear quickly and/or fall out. Nolu-S is the perfect combination of extremely low friction in a tough UHMW based material. Nolu-S will not mark bottles while allowing faster speeds and greater throughput.



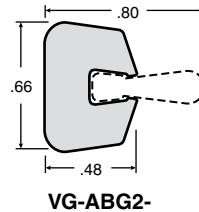
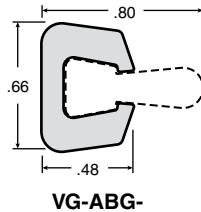
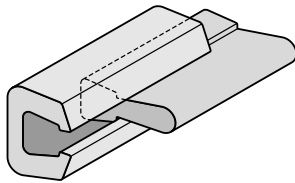
**Low friction,
non-marking!
More sanitary**



**Extruded profiles stored in coils will have the tendency to retain a certain deformation when uncoiled, therefore consistency in the profile cross section over the full length of the coil cannot be guaranteed.*

ABG

Aluminum Rail
Accepts all VG-PBG inserts. Works with all standard Valu Guide rail clamps.

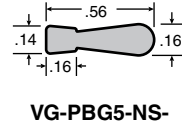


| Material: Clear anodized aluminum | |
|-----------------------------------|--------------|
| Part Number | Length (ft.) |
| VG-ABG-10 | 10 |
| VG-ABG-20 | 20 |
| VG-ABG2-10 | 10 |

UHMW Covers & Aluminum Rails

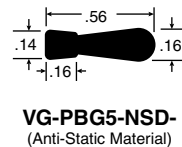
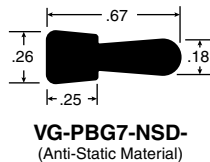
PBG

Nolu-S Insert
For use with VG-ABG aluminum rail. This guide is available in the ultra low friction Nolu-S.



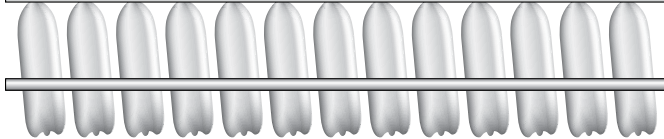
| Material: Nolu-S | |
|------------------|--------------|
| Part Number | Length (ft.) |
| VG-PBG5-NS-100 | 100* |

Nolu-SD Insert
For use with VG-ABG aluminum rail. This guide is available in the ultra low friction Nolu-SD, which combines low friction qualities with a static dissipating ability.

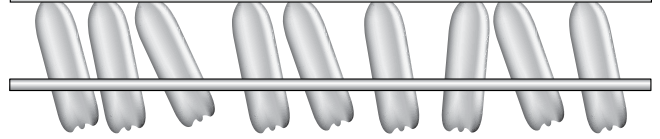


| Material: Nolu-SD (Anti-static material) | |
|--|--------------|
| Part Number | Length (ft.) |
| VG-PBG7-NSD-100 | 100* |
| VG-PBG5-NSD-100 | 100* |

Nolu-SR neck guides and Nolu-S body guides, with an ultra low coefficient of friction, reduces the degree of bottle tilt and the corresponding wear problems.



Other guides (especially brushes), when contaminated, can cause irregular tilt and orientation of the bottles, resulting in blockage at curves or inclines.



Field Bendable!

Easily bent on site using a portable Valu Guide rail bender. Bends to min. 30" radius with zero crimping of aluminum which allows for continuous feed of plastic thru straights and curves with minimal splicing.

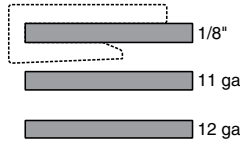
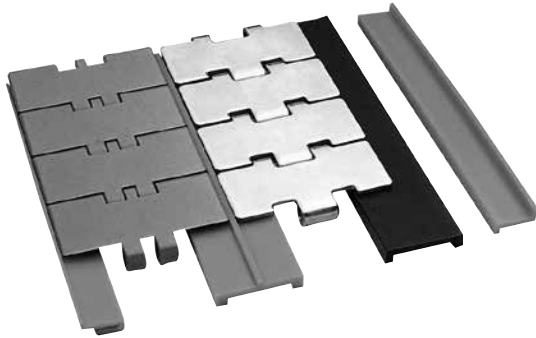


See page 220 for Valu Guide rail bender details.

| | For Inside Curve | | For Outside Curve | |
|----------|------------------|--|-------------------|--|
| VG-ABG- | | | | |
| VG-ABG2- | | | | |



J-Leg Profiles



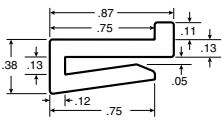
Superior chain interface and cleanliness make System Plast J-Legs the right choice for domestic or international uses. Our J-Legs are designed to hold tight onto 11 ga. or 12 ga. sheet metal or 1/8 bar.



UHMW's natural low friction properties can be increased even further through the use of special additives. Our Nolu-S is a blend of UHMW and food grade lubricants, meeting the needs of ultra low-friction applications.

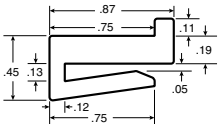
3/4" J-Legs

UHMW Covers & Aluminum Rails



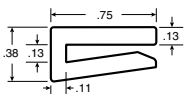
Material: UHMW-PE

| Part Number | Color | Length (ft.) |
|-------------------------|--------------|--------------|
| VG-JSL075-125-10 | white | 10 |
| VG-JSL075-125-20 | white | 20 |



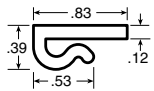
Material: UHMW-PE

| Part Number | Color | Length (ft.) |
|-------------------------|--------------|--------------|
| VG-JSL075-188-10 | white | 10 |
| VG-JSL075-188-20 | white | 20 |



Material: UHMW-PE

| Part Number | Color | Length (ft.) |
|--------------------|--------------|--------------|
| VG-P18CC-10 | white | 10 |
| VG-P18CC-20 | white | 20 |



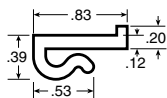
Material: UHMW-PE

| Part Number | Color | Length (ft.) |
|---------------|--------------|--------------|
| 19003N | Black | 200* |
| 19003V | Green | 200* |



Material: Nolu-S UHMW-PE

| Part Number | Color | Length (ft.) |
|----------------|-------------------|--------------|
| 19003NS | Light Grey | 200* |



Material: UHMW-PE

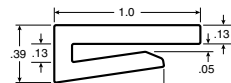
| Part Number | Color | Length (ft.) |
|---------------|--------------|--------------|
| 19007N | Black | 200* |
| 19007V | Green | 200* |



Material: Nolu-S UHMW-PE

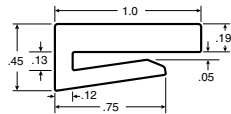
| Part Number | Color | Length (ft.) |
|----------------|-------------------|--------------|
| 19007NS | Light Grey | 200* |

1" J-Legs



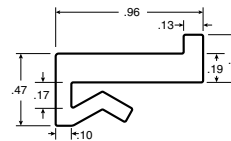
Material: UHMW-PE

| Part Number | Color | Length (ft.) |
|-------------------------|--------------|--------------|
| VG-JS100-125-10 | white | 10 |
| VG-JS100-125-20 | white | 20 |
| VG-JS100-125-100 | white | 100* |
| VG-JS100-125-250 | white | 250* |



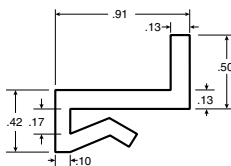
Material: UHMW-PE

| Part Number | Color | Length (ft.) |
|------------------------|--------------|--------------|
| VG-JS100-188-10 | white | 10 |
| VG-JS100-188-20 | white | 20 |



Material: UHMW-PE

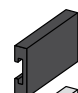
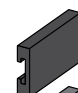
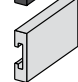
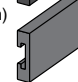
| Part Number | Color | Length (ft.) |
|------------------------|--------------|--------------|
| VG-JL081-188-10 | white | 10 |
| VG-JL081-188-20 | white | 20 |



Material: UHMW-PE

| Part Number | Color | Length (ft.) |
|--------------------------|--------------|--------------|
| VG-JEL-078-125-10 | white | 10 |
| VG-JEL-078-125-20 | white | 20 |

Options available for most wear strips:

| | | | | |
|---|--|---|---|--------------------------------------|
|  | Black UHMW: add "-B-" to part number |  | Static Dissipative UHMW: add "-SD-" to part number | Example: ↕ VG-P316HD-NS-10 |
|  | Nolu-S UHMW: (reduced friction) add "-NS-" to part number |  | Nolu-SR UHMW: add "-SR-" to part number | |

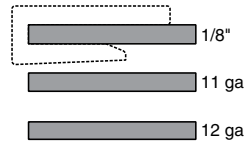
*Extruded profiles stored in coils will have the tendency to retain a certain deformation when uncoiled, therefore consistency in the profile cross section over the full length of the coil cannot be guaranteed.

J-Leg Profiles



Shipping Information: Standard 10' or 20' UHMW covers and inserts are typically shipped by common carrier. Selected items can be coiled into cartons for more convenient shipping through UPS.

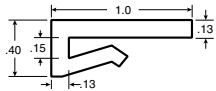
Our J-Legs are designed to hold tight onto 11 ga. or 12 ga. sheet metal or 1/8 bar.



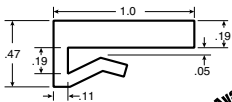
Extended Coil Lengths: Items marked with this symbol are available in continuous lengths of 100' or more. These items must be coiled for shipping and handling.



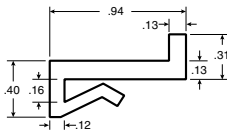
1" J-Legs (continued)



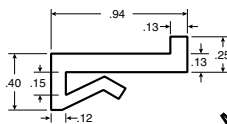
| Part Number | Length (ft.) |
|------------------|--------------|
| VG-J100-125T-10 | 10 |
| VG-J100-125T-20 | 20 |
| VG-J100-125T-100 | 100* |
| VG-J100-125T-250 | 250* |



| Part Number | Length (ft.) |
|-----------------|--------------|
| VG-J100-188-10 | 10 |
| VG-J100-188-20 | 20 |
| VG-J100-188-100 | 100* |

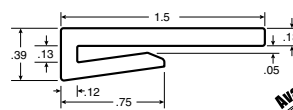


| Part Number | Length (ft.) |
|------------------|--------------|
| VG-JEL081-125-10 | 10 |
| VG-JEL081-125-20 | 20 |

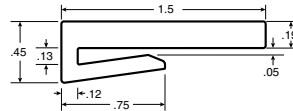


| Part Number | Length (ft.) |
|------------------|--------------|
| VG-JL081-125-10 | 10 |
| VG-JL081-125-20 | 20 |
| VG-JL081-125-100 | 100* |
| VG-JL081-125-250 | 250* |

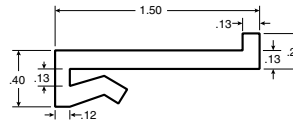
1½" J-Legs



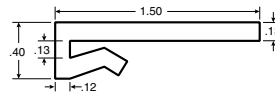
| Part Number | Length (ft.) |
|------------------|--------------|
| VG-JS150-125-10 | 10 |
| VG-JS150-125-20 | 20 |
| VG-JS150-125-100 | 100* |
| VG-JS150-125-250 | 250* |



| Part Number | Length (ft.) |
|-----------------|--------------|
| VG-JS150-188-10 | 10 |
| VG-JS150-188-20 | 20 |



| Part Number | Length (ft.) |
|-----------------|--------------|
| VG-JL137-125-10 | 10 |
| VG-JL137-125-20 | 20 |



| Part Number | Length (ft.) |
|----------------|--------------|
| VG-J150-125-10 | 10 |
| VG-J150-125-20 | 20 |

UHMW Covers & Aluminum Rails

Options available for most wear strips:



Black UHMW:
add "**B**" to
part number



Static Dissipative
UHMW:
add "**SD**" to
part number



Nolu-S UHMW:
(reduced friction)
add "**NS**" to
part number



Nolu-SR
UHMW:
add "**SR**" to
part number

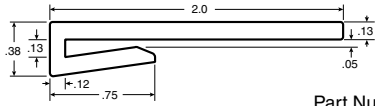
Example: VG-P316HD-NS-10

*Extruded profiles stored in coils will have the tendency to retain a certain deformation when uncoiled, therefore consistency in the profile cross section over the full length of the coil cannot be guaranteed.

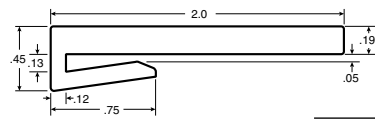


J-Leg Profiles

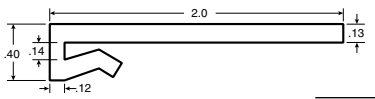
2" J-Legs



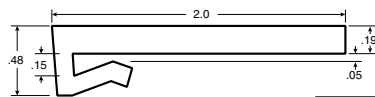
| Part Number | Length (ft.) |
|-----------------|--------------|
| VG-JS200-125-10 | 10 |
| VG-JS200-125-20 | 20 |



| | |
|-----------------|----|
| VG-JS200-188-10 | 10 |
| VG-JS200-188-20 | 20 |

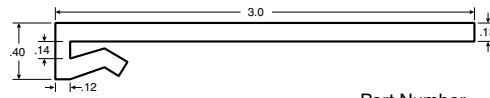


| | |
|----------------|----|
| VG-J200-125-10 | 10 |
| VG-J200-125-20 | 20 |

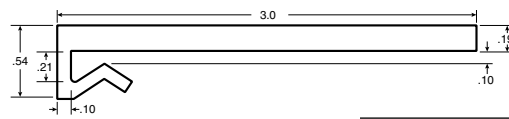


| | |
|----------------|----|
| VG-J200-188-10 | 10 |
| VG-J200-188-20 | 20 |

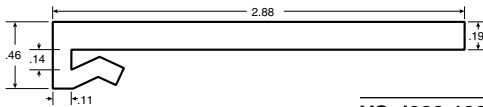
2 7/8" and 3" J-Legs



| Part Number | Length (ft.) |
|----------------|--------------|
| VG-J300-125-10 | 10 |
| VG-J300-125-20 | 20 |

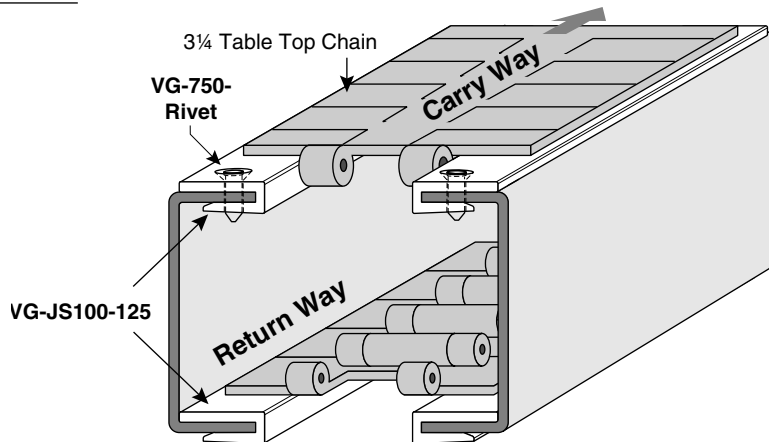


| | |
|----------------|----|
| VG-J300-188-10 | 10 |
| VG-J300-188-20 | 20 |



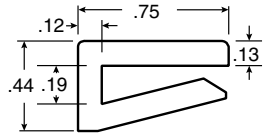
| | |
|----------------|----|
| VG-J288-188-10 | 10 |
| VG-J288-188-20 | 20 |

UHMW Covers & Aluminum Rails





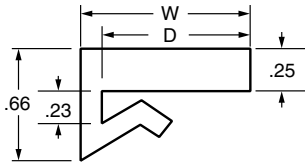
Additional J-Leg Profiles



For use with 3/16" material

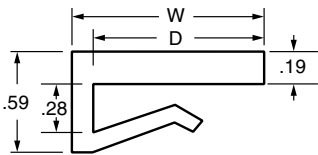


| Part Number | Length |
|--------------------|--------|
| VG-JS3-075-125-10 | 10 |
| VG-JS3-075-125-20 | 20 |
| VG-JS3-075-125-100 | 100* |
| VG-JS3-075-125-250 | 250* |



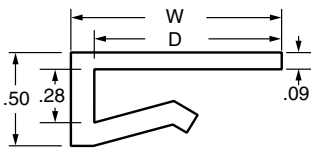
For use with 3/16" material

| D dim. | W dim. | Part Number (10 ft.) | Part Number (20 ft.) |
|--------|--------|----------------------|----------------------|
| 5/8 | 3/4 | VG-J3-075-250-10 | VG-J3-075-250-20 |
| 7/8 | 1 | VG-J3-100-250-10 | VG-J3-100-250-20 |
| 1-7/8 | 2 | VG-J3-200-250-10 | VG-J3-200-250-20 |



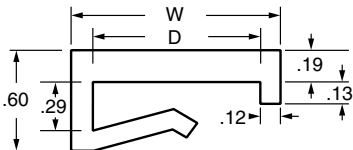
For use with 1/4" material

| | | | |
|-------|-------|------------------|------------------|
| 3/4 | 7/8 | VG-J4-088-188-10 | VG-J4-088-188-20 |
| 1 | 1-1/8 | VG-J4-113-188-10 | VG-J4-113-188-20 |
| 1-1/4 | 1-3/8 | VG-J4-138-188-10 | VG-J4-138-188-20 |
| 1-1/2 | 1-5/8 | VG-J4-163-188-10 | VG-J4-163-188-20 |
| 2 | 2-1/8 | VG-J4-213-188-10 | VG-J4-213-188-20 |



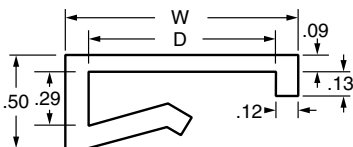
For use with 1/4" material

| | | | |
|-------|-------|-----------------|-----------------|
| 1 | 1-1/8 | VG-J4-113-09-10 | VG-J4-113-09-20 |
| 1-1/2 | 1-5/8 | VG-J4-163-09-10 | VG-J4-163-09-20 |
| 2 | 2-1/8 | VG-J4-213-09-10 | VG-J4-213-09-20 |



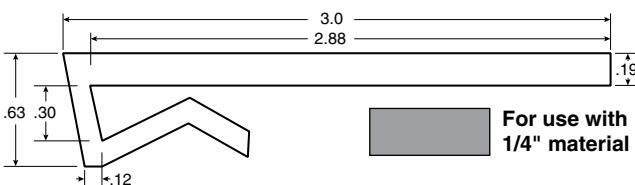
For use with 1/4" material

| | | | |
|-------|-------|--------------------|--------------------|
| 1 | 1-1/4 | - | VG-JDL4-125-188-20 |
| 1-1/4 | 1-1/2 | VG-JDL4-150-188-10 | VG-JDL4-150-188-20 |
| 1-1/2 | 1-3/4 | VG-JDL4-175-188-10 | VG-JDL4-175-188-20 |
| 2 | 2-1/4 | - | VG-JDL4-225-188-20 |



For use with 1/4" material

| | | | |
|-------|-------|-------------------|-------------------|
| 1 | 1-1/4 | VG-JDL4-125-09-10 | VG-JDL4-125-09-20 |
| 1-1/2 | 1-3/4 | - | VG-JDL4-175-09-20 |
| 2 | 2-1/4 | VG-JDL4-225-09-10 | VG-JDL4-225-09-20 |



For use with 1/4" material

| | |
|------------------|----|
| VG-J4-300-188-10 | 10 |
| VG-J4-300-188-20 | 20 |

UHMW Covers & Aluminum Rails

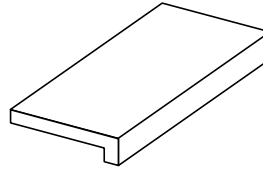
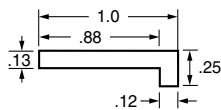
*Extruded profiles stored in coils will have the tendency to retain a certain deformation when uncoiled, therefore consistency in the profile cross section over the full length of the coil cannot be guaranteed.



Wear Strip Profiles and Round Bar Covers

P417CT

Wear Strip Profiles

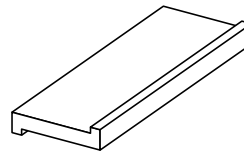
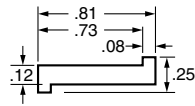


Material: UHMW

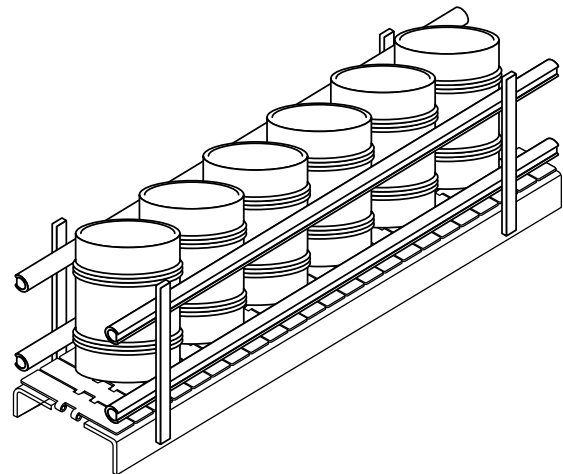
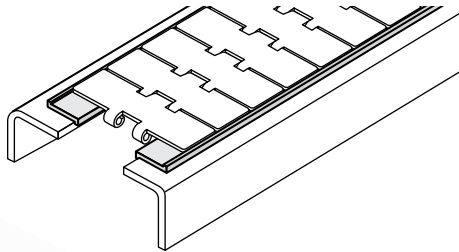
| Part Number | Length (ft.) |
|--------------|--------------|
| VG-P417CT-10 | 10 |

P7701

Wear Strip Profiles



| | |
|-------------|----|
| VG-P7701-10 | 10 |
|-------------|----|



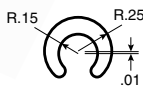
UHMW Covers & Aluminum Rails



These low friction, wear resistant UHMW covers are designed to fit around various diameters of round rod. Applications include conveyor side guides.

P516RD

5/16 full round side guide.
Clips onto
5/16 diameter rod.

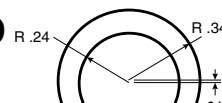


Material: UHMW

| Part Number | Length (ft.) |
|---------------|--------------|
| VG-P516RD-10 | 10 |
| VG-P516RD-20 | 20 |
| VG-P516RD-100 | 100* |
| VG-P516RD-250 | 250* |

P12RD

1/2 full round side guide.
Clips onto
1/2 diameter rod.

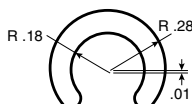


Material: UHMW

| Part Number | Length (ft.) |
|--------------|--------------|
| VG-P12RD-10 | 10 |
| VG-P12RD-20 | 20 |
| VG-P12RD-100 | 100* |
| VG-P12RD-250 | 250* |

P38RD

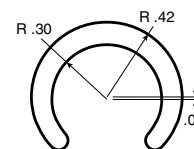
3/8 full round side guide.
Clips onto
3/8 diameter rod.



| | |
|--------------|------|
| VG-P38RD-10 | 10 |
| VG-P38RD-20 | 20 |
| VG-P38RD-100 | 100* |
| VG-P38RD-250 | 250* |

P58RD

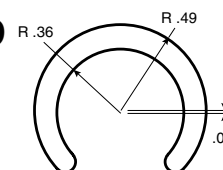
5/8 full round side guide.
Clips onto
5/8 diameter rod.



| | |
|-------------|----|
| VG-P58RD-10 | 10 |
| VG-P58RD-20 | 20 |

P34RD

3/4 full round side guide.
Clips onto
3/4 diameter rod.



| | |
|-------------|----|
| VG-P34RD-10 | 10 |
| VG-P34RD-20 | 20 |

Shipping Information: UHMW covers and inserts are typically shipped straight in tubes. 8' lengths can be shipped UPS. Standard 10' or 20' lengths are shipped by common carrier. Selected items can be coiled into cartons for more convenient shipping.

Extended Coil Lengths: Items marked with this symbol are available in lengths of 100' or more. These items must be coiled for shipping and handling.



*Extruded profiles stored in coils will have the tendency to retain a certain deformation when uncoiled, therefore consistency in the profile cross section over the full length of the coil cannot be guaranteed.

SYSTEM PLAST™

©2015 Regal-Beloit Corporation, All Rights Reserved.

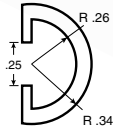
Half Round Bars and Covers



These low friction, wear resistant UHMW covers are designed to fit around various diameters of half round rod. Applications include conveyor side guides.

P12HR

1/2 half round side guide. Clips onto 1/2 diameter half round rod.

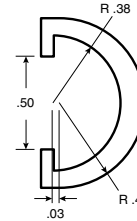


Material: UHMW

| Part Number | Length (ft.) |
|-------------|--------------|
| VG-P12HR-10 | 10 |
| VG-P12HR-20 | 20 |

P34HR

3/4 half round side guide. Clips onto 3/4 diameter half round rod.



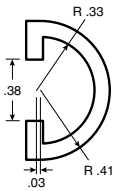
Material: UHMW

| Part Number | Length (ft.) |
|--------------|--------------|
| VG-P34HR-10 | 10 |
| VG-P34HR-20 | 20 |
| VG-P34HR-100 | 100* |
| VG-P34HR-250 | 250* |



P58HR

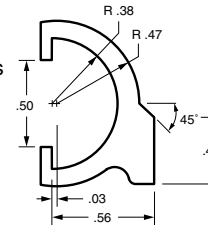
5/8 half round side guide. Clips onto 5/8 diameter half round rod.



| Part Number | Length (ft.) |
|--------------|--------------|
| VG-P58HR-10 | 10 |
| VG-P58HR-20 | 20 |
| VG-P58HR-100 | 100* |
| VG-P58HR-250 | 250* |

P34HRL

3/4 half round side guide with leg. Clips onto 3/4 diameter half round rod.



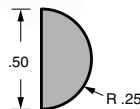
| Part Number | Length (ft.) |
|--------------|--------------|
| VG-P34HRL-10 | 10 |
| VG-P34HRL-20 | 20 |

*Extruded profiles stored in coils will have the tendency to retain a certain deformation when uncoiled, therefore consistency in the profile cross section over the full length of the coil cannot be guaranteed.



S12HR

1/2 half round rod.

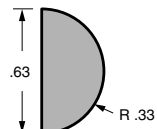


Material: Stainless steel

| Part Number | Length (ft.) |
|-------------|--------------|
| VG-S12HR-10 | 10 |
| VG-S12HR-20 | 20 |

S58HR

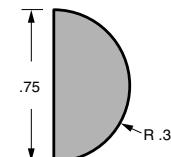
5/8 half round rod.



| Part Number | Length (ft.) |
|-------------|--------------|
| VG-S58HR-10 | 10 |
| VG-S58HR-20 | 20 |

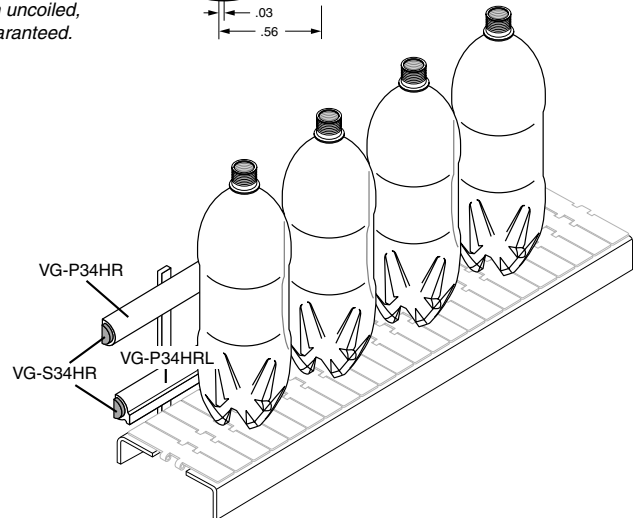
S34HR

3/4 half round rod.



Material: Stainless steel

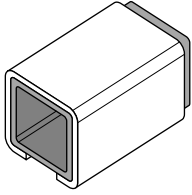
| Part Number | Length (ft.) |
|-------------|--------------|
| VG-S34HR-10 | 10 |
| VG-S34HR-20 | 20 |



UHMW Covers & Aluminum Rails

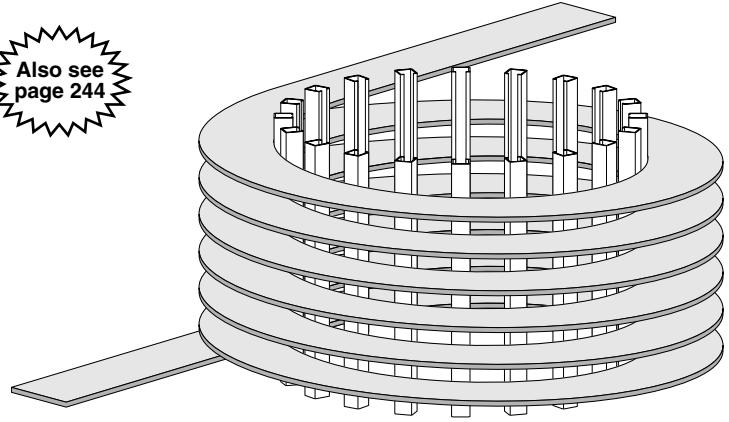


Tube Covers

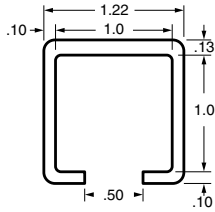


These low friction, wear resistant UHMW covers are designed to fit around various sizes of tubing or bar. Applications include spiral conveyor vertical member wear strips.

Also see page 244



UHMW Covers & Aluminum Rails

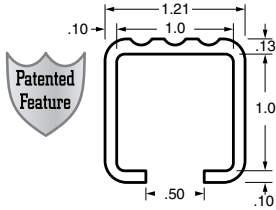


P1x1BC

1 x 1 tube cover.

Material: UHMW

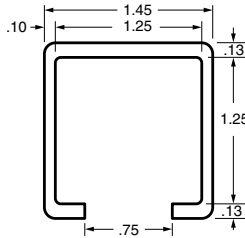
| Part Number | Length (ft.) |
|--------------|--------------|
| VG-P1x1BC-10 | 10 |
| VG-P1x1BC-20 | 20 |



P1010RBC

1 x 1 ribbed tube cover.

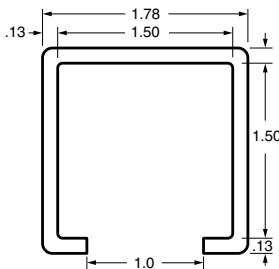
| | |
|----------------|----|
| VG-P1010RBC-20 | 20 |
|----------------|----|



P125125BC

1-1/4 x 1-1/4 tube cover.

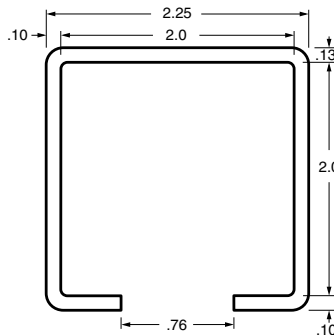
| | |
|-----------------|----|
| VG-P125125BC-10 | 10 |
| VG-P125125BC-20 | 20 |



P1515BC

1-1/2 x 1-1/2 tube cover.

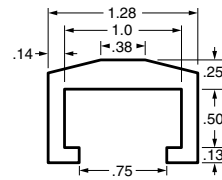
| | |
|---------------|----|
| VG-P1515BC-10 | 10 |
| VG-P1515BC-20 | 20 |



P2x2BC

2 x 2 tube cover.

| | |
|--------------|----|
| VG-P2x2BC-10 | 10 |
| VG-P2x2BC-20 | 20 |

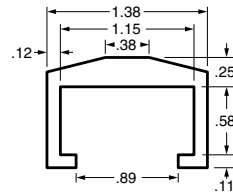


P5010BC

1/2 x 1 bar cover.

Material: UHMW

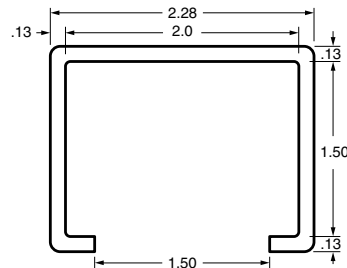
| Part Number | Length (ft.) |
|---------------|--------------|
| VG-P5010BC-10 | 10 |
| VG-P5010BC-20 | 20 |



P58115BC

9/16 x 1-1/8 bar cover.

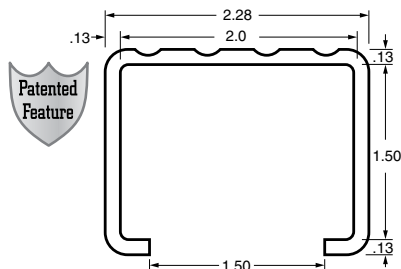
| | |
|----------------|----|
| VG-P58115BC-20 | 20 |
|----------------|----|



P1520BC

1-1/2 x 2 tube cover.

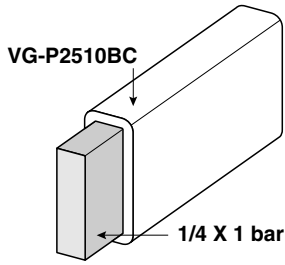
| | |
|---------------|----|
| VG-P1520BC-20 | 20 |
|---------------|----|



P1520RBC

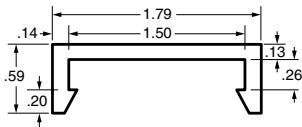
1-1/2 x 2 ribbed tube cover.

| | |
|----------------|----|
| VG-P1520RBC-10 | 10 |
| VG-P1520RBC-20 | 20 |



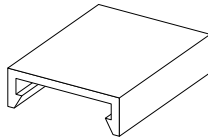
P2515BCB

Barbed belt support. For use with 1/4 x 1-1/2 bar.



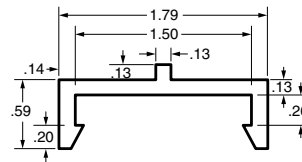
Material: UHMW

| Part Number | Length (ft.) |
|-----------------------|--------------|
| VG-P2515BCB-10 | 10 |
| VG-P2515BCB-20 | 20 |



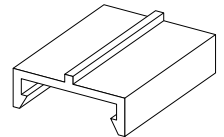
P2515DBC

Table top chain track. For use with 1/4 x 1-1/2 bar.



Material: UHMW

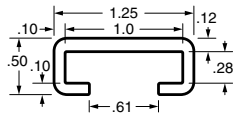
| Part Number | Length (ft.) |
|-----------------------|--------------|
| VG-P2515DBC-20 | 20 |



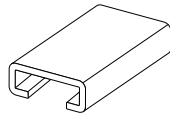
UHMW Covers & Aluminum Rails

P2510BC

UHMW cover. For use with 1/4 x 1 bar.

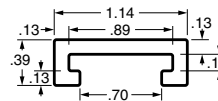


| | |
|----------------------|-----------|
| VG-P2510BC-10 | 10 |
| VG-P2510BC-20 | 20 |

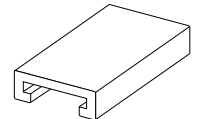


P1878BC

Side guide. For use with 1/8 x 7/8 bar.

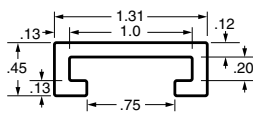


| | |
|----------------------|-----------|
| VG-P1878BC-10 | 10 |
| VG-P1878BC-20 | 20 |

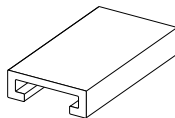


P1910BC

Side guide. For use with 3/16 x 1 bar.

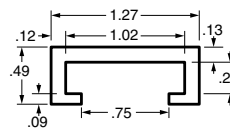


| | |
|----------------------|-----------|
| VG-P1910BC-10 | 10 |
| VG-P1910BC-20 | 20 |

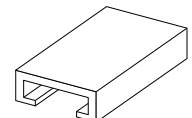


P2510NBC

Side guide. For use with 1/4 x 1 bar.



| | |
|-----------------------|-----------|
| VG-P2510NBC-10 | 10 |
| VG-P2510NBC-20 | 20 |



Options available for most wear strips:



Black UHMW:
add "**B**" to
part number



Static Dissipative
UHMW:
add "**SD**" to
part number



Nolu-S UHMW:
(reduced friction)
add "**NS**" to
part number



Nolu-SR
UHMW:
add "**SR**" to
part number

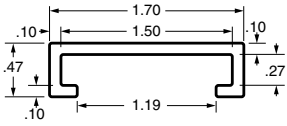
Example: **VG-P316HD-NS-10**



Bar Covers

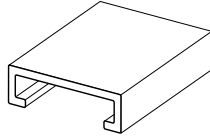
P2515BC

Belt support. For use with 1/4 x 1-1/2 bar.



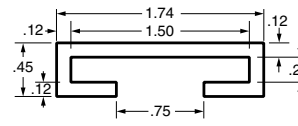
Material: UHMW

| Part Number | Length (ft.) |
|---------------|--------------|
| VG-P2515BC-10 | 10 |
| VG-P2515BC-20 | 20 |



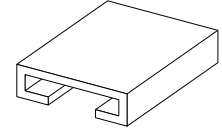
P2115BC

Side guide. For use with 3/16 x 1-1/2 bar.



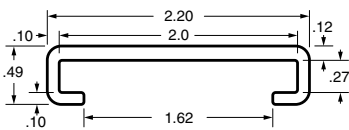
Material: UHMW

| Part Number | Length (ft.) |
|---------------|--------------|
| VG-P2115BC-10 | 10 |



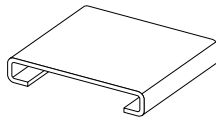
P2520BC

Side Guide. For use with 1/4 x 2 bar.



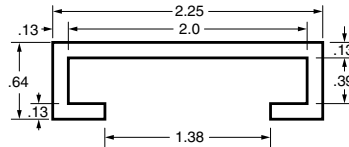
| | |
|---------------|----|
| VG-P2520BC-10 | 10 |
| VG-P2520BC-20 | 20 |

Also part of combination rails found on page 259.

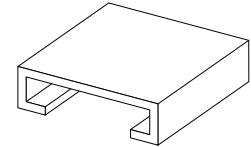


P3920BC

Side Guide. For use with 3/8 x 2 bar.

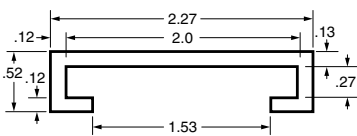


| | |
|---------------|----|
| VG-P3920BC-10 | 10 |
| VG-P3920BC-20 | 20 |



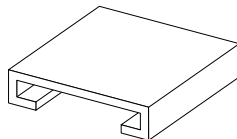
P2520NBC

Belt support. For use with 1/4 x 2 bar.



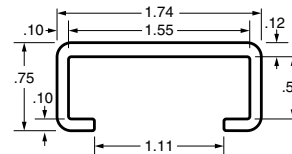
| | |
|----------------|----|
| VG-P2520NBC-10 | 10 |
| VG-P2520NBC-20 | 20 |

Also part of combination rails found on page 259.



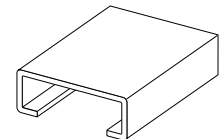
P5015BC

Side guide. For use with 1/2 x 1-1/2 bar.



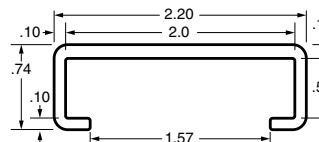
| | |
|---------------|----|
| VG-P5015BC-10 | 10 |
| VG-P5015BC-20 | 20 |

Also shown on page 260-261.



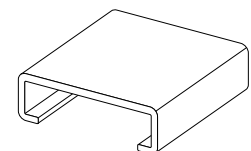
P5020BC

Side guide. For use with 1/2 x 2 bar.



| | |
|---------------|----|
| VG-P5020BC-10 | 10 |
| VG-P5020BC-20 | 20 |

Also shown on page 260.

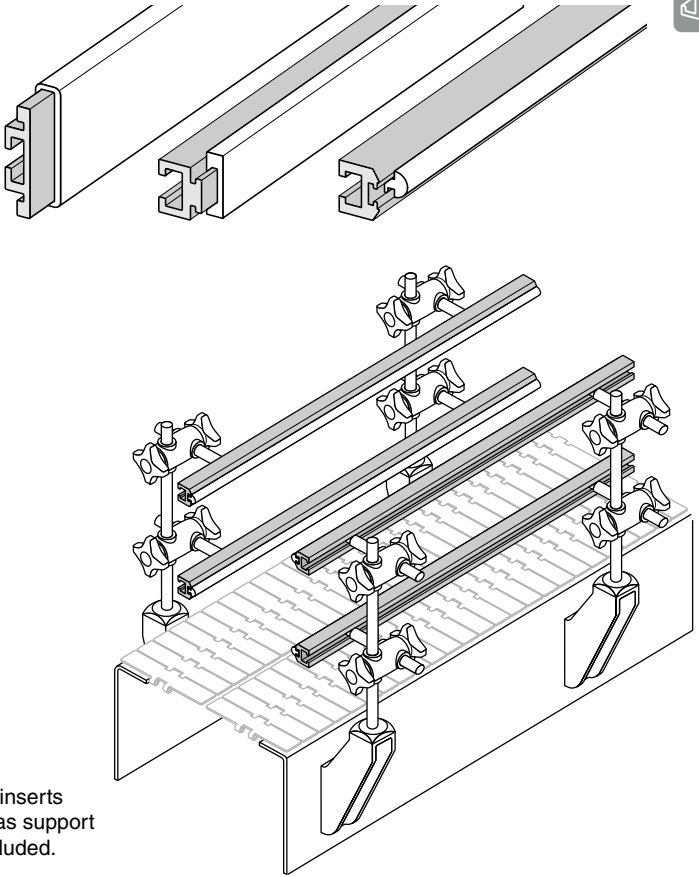


Combination Aluminum and UHMW Guide Rails



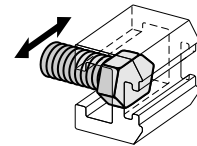
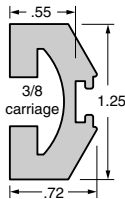
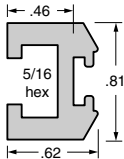
System Plast has designed aluminum extrusions which are now commonly used as side guide rails and as support members under belting and tabletop chain. The wear resistant inserts are made from UHMW materials. There are a number of interchangeable combinations for use in a variety of packaging machine and conveying applications. The aluminum rails are rugged, easily mounted structural members and the plastic inserts protect the package being conveyed from any metal contact and create a low friction, non-marring surface to guide and support the product.

Shipping Information: UHMW covers and inserts are typically shipped straight in tubes. 8' lengths can be shipped UPS. Standard 10' or 20' lengths are shipped by common carrier. Selected items can be coiled into cartons for more convenient shipping.



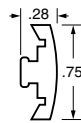
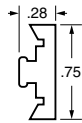
Combination Group A

The following aluminum extrusions can be used with any of the UHMW inserts listed in this group. These rails are commonly used as side guides and as support members under belting and table top chain. Fastening hardware not included.



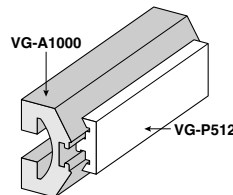
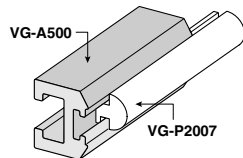
Material: Aluminum

| | | Length (ft.) |
|------------|-------------|--------------|
| VG-A500-10 | VG-A1000-10 | 10 |
| VG-A500-20 | VG-A1000-20 | 20 |



Material: UHMW

| | | Length (ft.) |
|-------------|------------|--------------|
| VG-P2007-10 | VG-P512-10 | 10 |
| VG-P2007-20 | VG-P512-20 | 20 |



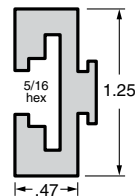
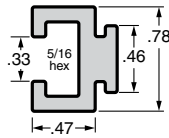
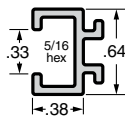
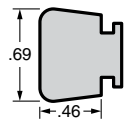
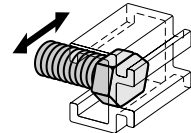
**SYSTEM
PLAST™**



Combination Aluminum and UHMW Guide Rails

Combination Group B

The following aluminum extrusions can be used with any of the UHMW inserts listed in this group. These rails are commonly used as side guides and as support members under belting and table top chain. Fastening hardware not included.

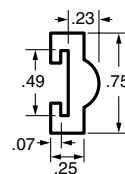
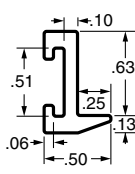
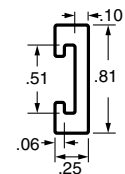
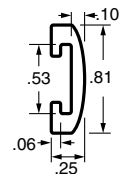


Material: Aluminum

Length (ft.)

| | | | | |
|-------------------|-------------------|-------------------|-------------------|-----------|
| | | VG-A600-8 | | 8 |
| VG-A275-10 | VG-A225-10 | VG-A600-10 | VG-A900-10 | 10 |
| VG-A275-20 | VG-A225-20 | VG-A600-20 | VG-A900-20 | 20 |

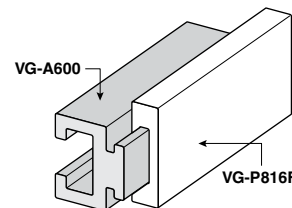
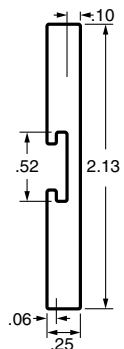
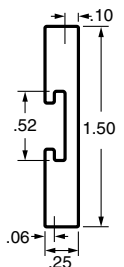
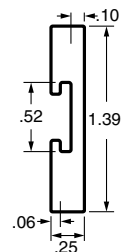
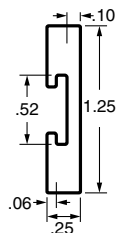
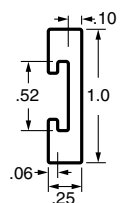
UHMW Covers & Aluminum Rails



Material: UHMW

Length (ft.)

| | | | | |
|--------------------|---------------------|--------------------|-------------------|------------|
| VG-P813-10 | VG-P813F-10 | VG-P0808-10 | VG-P611-10 | 10 |
| VG-P813-20 | VG-P813F-20 | VG-P0808-20 | | 20 |
| VG-P813-100 | VG-P813F-100 | | | 100 |



Material: UHMW

Length (ft.)

| | | | | | |
|--------------------|--------------------|--------------------|--------------------|--------------------|-----------|
| VG-P816F-10 | VG-P820F-10 | VG-P822F-10 | VG-P824F-10 | VG-P834F-10 | 10 |
| VG-P816F-20 | VG-P820F-20 | VG-P822F-20 | VG-P824F-20 | VG-P834F-20 | 20 |

Options available for most wear strips:



Nolu-S UHMW: (reduced friction) add "-NS-" to part number

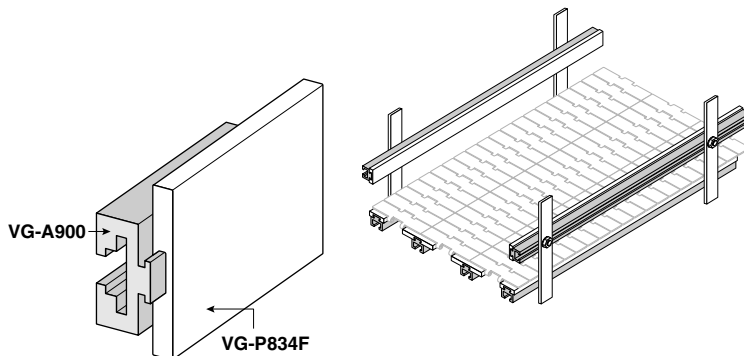


Static Dissipative UHMW: add "-SD-" to part number



Nolu-SR UHMW: add "-SR-" to part number

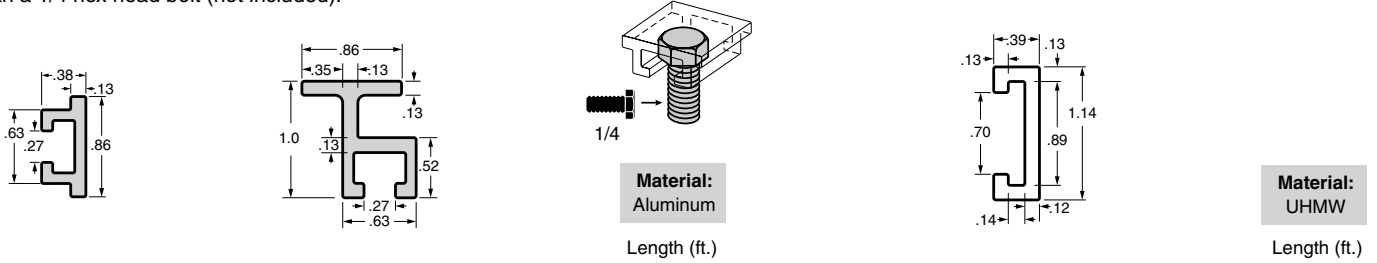
Example: **VG-P316HD-NS-10**





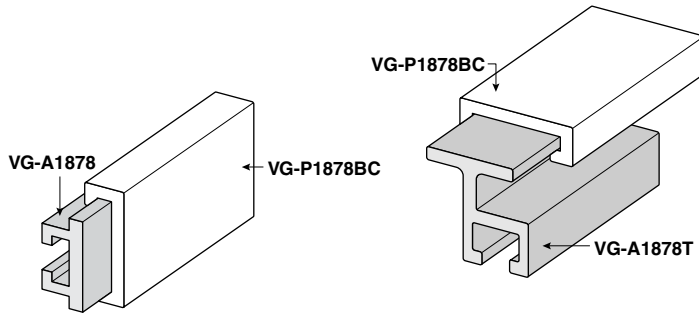
Combination Group C

The following aluminum extrusions can be used with any of the UHMW inserts listed in this group. These rails are commonly used as side guides and as support members under belting and table top chain. The aluminum rail fastens with a 1/4 hex head bolt (not included).



| | | | | |
|-------------|--------------|----|---------------|----|
| VG-A1878-10 | - | 10 | VG-P1878BC-10 | 10 |
| VG-A1878-20 | VG-A1878T-20 | 20 | VG-P1878BC-20 | 20 |

UHMW Covers & Aluminum Rails



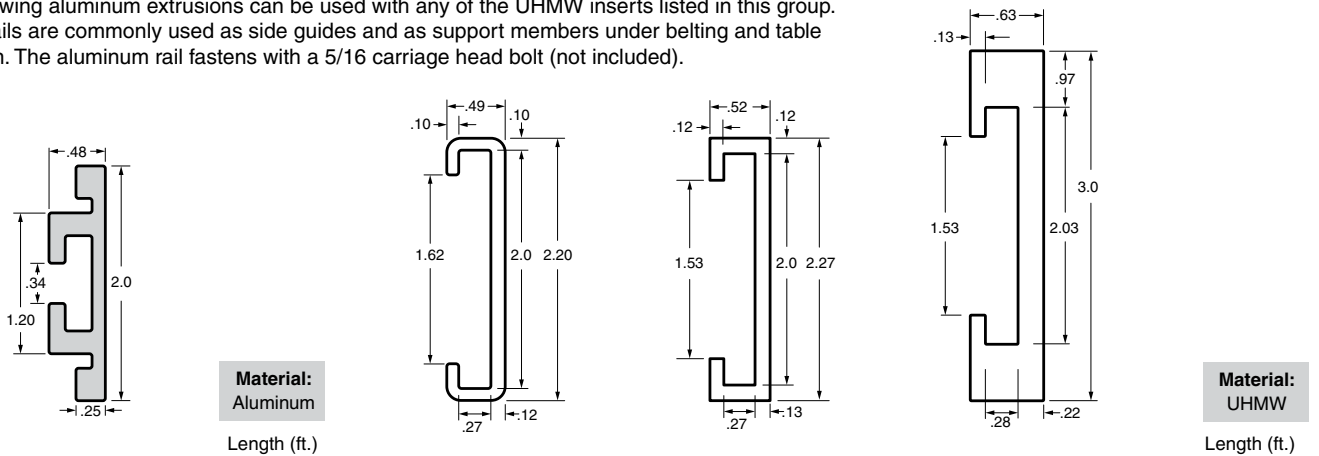
Options available for most wear strips:

- Nolu-S UHMW: (reduced friction) add "-NS-" to part number
- Static Dissipative UHMW: add "-SD-" to part number
- Nolu-SR UHMW: add "-SR-" to part number

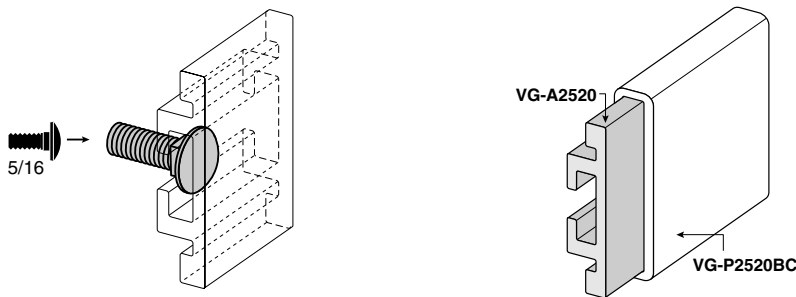
Example: \downarrow
VG-P316HD-NS-10

Combination Group D

The following aluminum extrusions can be used with any of the UHMW inserts listed in this group. These rails are commonly used as side guides and as support members under belting and table top chain. The aluminum rail fastens with a 5/16 carriage head bolt (not included).



| | | | | | |
|-------------|----|---------------|----------------|----------------|----|
| VG-A2520-10 | 10 | VG-P2520BC-10 | VG-P2520NBC-10 | VG-P2520WBC-10 | 10 |
| VG-A2520-20 | 20 | VG-P2520BC-20 | VG-P2520NBC-20 | | 20 |



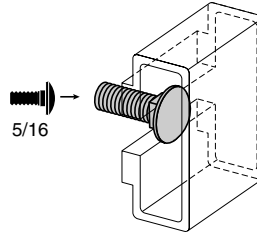
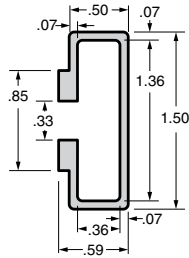


Aluminum and UHMW Guide Rails

A5015

Aluminum Guide Rail

Aluminum extrusions commonly used as side guide rails and as support members under belting and table top chain. Fastens with 5/16 carriage bolt (not included).



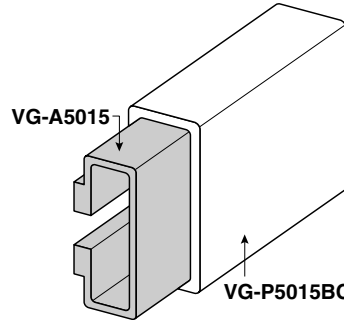
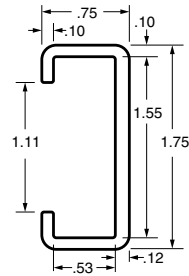
Material: Aluminum

| Part Number | Length (ft.) |
|--------------------|--------------|
| VG-A5015-10 | 10 |
| VG-A5015-20 | 20 |

P5015BC

UHMW Cover

Low friction, wear resistant UHMW cover designed to be used with VG-A5015.



Material: UHMW

| Part Number | Length (ft.) |
|----------------------|--------------|
| VG-P5015BC-10 | 10 |
| VG-P5015BC-20 | 20 |

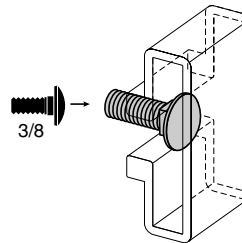
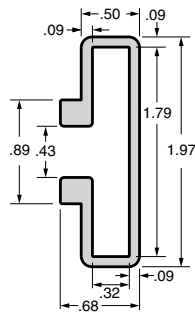
Also shown on page 261.

UHMW Covers & Aluminum Rails

A5020

Aluminum Rail

Accepts VG-P5020BC UHMW cover. Fastens with 3/8 carriage bolt (not included).



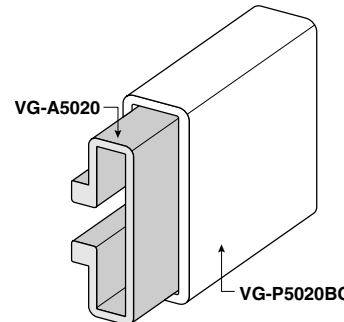
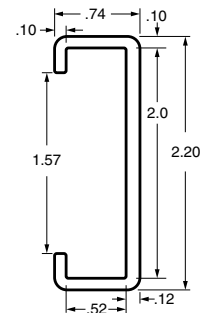
Material: Aluminum

| Part Number | Length (ft.) |
|--------------------|--------------|
| VG-A5020-10 | 10 |
| VG-A5020-20 | 20 |

P5020BC

UHMW Cover

For use with VG-A5020 rail.



Material: UHMW

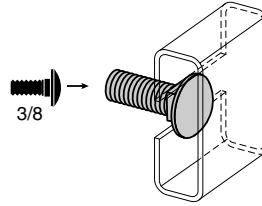
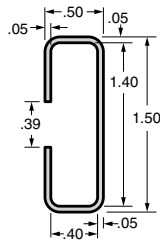
| Part Number | Length (ft.) |
|----------------------|--------------|
| VG-P5020BC-10 | 10 |
| VG-P5020BC-20 | 20 |



5015

Steel Rail

Galvanized (G5015) or stainless steel (S5015). Accepts VG-P5015BC UHMW cover. Fastens with 3/8 carriage head bolt (not included).



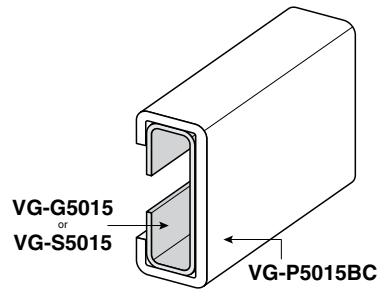
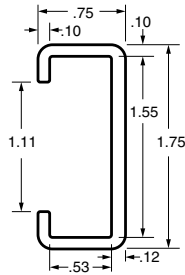
Material: Galvanized (G) or stainless steel (S).

| Part Number | Length (ft.) |
|--------------------|--------------|
| VG-G5015-10 | 10 |
| VG-G5015-20 | 20 |
| VG-S5015-10 | 10 |
| VG-S5015-20 | 20 |

P5015BC

UHMW Cover

For use with VG-G5015 or VG-S5015 rail or any 1/2 x 1-1/2 bar.



Material: UHMW

| Part Number | Length (ft.) |
|----------------------|--------------|
| VG-P5015BC-10 | 10 |
| VG-P5015BC-20 | 20 |

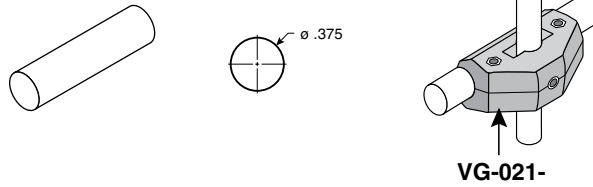
UHMW Covers & Aluminum Rails



P38

3/8 UHMW Round Bar

Can be used with VG-021-03.



Material: UHMW

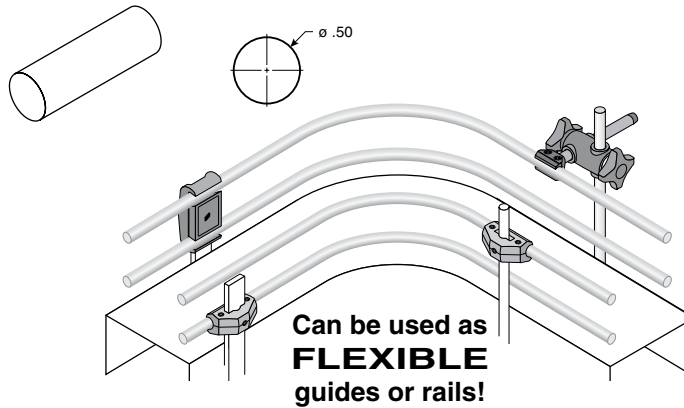
| Part Number | Dia. | Length (ft.) |
|----------------|------|--------------|
| VG-P38RDBAR-10 | 3/8 | 10 |
| VG-P38RDBAR-20 | 3/8 | 20 |

P12

1/2 UHMW Round Bar

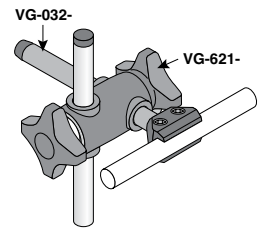
Can be used with VG-032-12-, VG-021-02 or VG-019-12.

See pages 236-237 for more information, including 1/2" stainless steel rod.

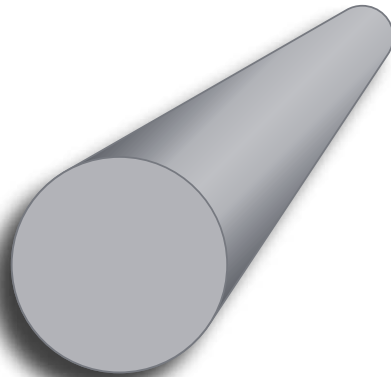


Material: UHMW

| Part Number | Dia. | Length (ft.) |
|----------------|------|--------------|
| VG-P12RDBAR-10 | 1/2 | 10 |
| VG-P12RDBAR-20 | 1/2 | 20 |



Round Bars



Material: Nolu-S (grey)

| Part Number | Dia. | Length (ft.) |
|-------------|-------|--------------|
| 012R10A-5 | 5/8 | 5 |
| 012R10A-10 | 5/8 | 10 |
| 012R16A-5 | 1 | 5 |
| 012R16A-10 | 1 | 10 |
| 012R20A-5 | 1-1/4 | 5 |
| 012R20A-10 | 1-1/4 | 10 |
| 012R24A-5 | 1-1/2 | 5 |
| 012R24A-10 | 1-1/2 | 10 |
| 012R32A-5 | 2 | 5 |
| 012R32A-10 | 2 | 10 |
| 012R40A-5 | 2-1/2 | 5 |
| 012R40A-10 | 2-1/2 | 10 |
| 012R48A-5 | 3 | 5 |
| 012R48A-10 | 3 | 10 |

On request and for adequate quantities these bars can be produced with different lengths.



Flight Edging

Made from low friction, low wear, corrosive resistant UHMW, flight edging is a proven value that can extend the life of new screws and salvage existing ones with worn edges. It has also proven beneficial on inclined conveyors by safely reducing the clearance between screw and trough, helping to minimize fall-back of smaller particles.

Flight edging is simply installed by winding the material around the shaft between the flights, then starting at one end, progressively tapping the extrusion onto the edge of the flight with a block or hammer. A fastener is required at the leading edge to hold flight edging in place.

All flight edging is UV stabilized to reduce the effects of ultraviolet radiation. This will significantly improve the life of the profile when exposed to direct sunlight, yet will not degrade any of the other desirable properties of the UHMW.

Improve clean-out of troughs

UV stabilized for outdoor use

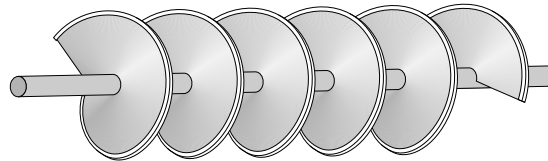
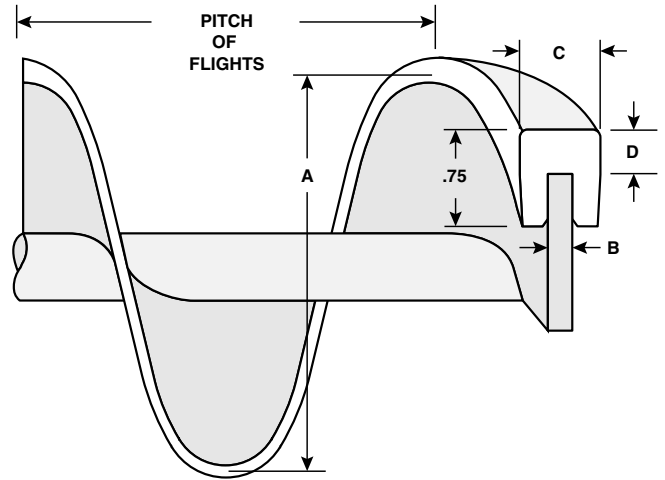
Reduce fall-back on inclined screws

Eliminate hangers on shorter screws

Use with helicoid or sectional flights

Quick installation and replacement

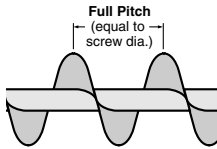
Reduce noise and wear



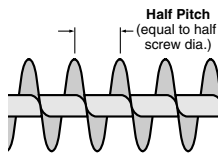
UHMW Covers & Aluminum Rails

To determine approximate amount of edging required (in feet), use the following formulas:

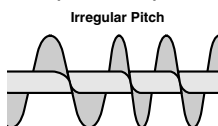
For Full Pitch Screws:
Length of conveyor section in feet x 3.4



For Half Pitch Screws:
Length of conveyor section in feet x 6.7

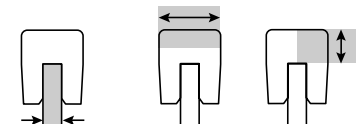


For Irregular Pitch Screws:
Number of pitches x dia. (in inches) x .283



Material: UHMW-PE Natural

| Part Number (50 ft.) | Part Number (100 ft.) | A Screw Dia. (in.) | B Flight Thickness | C Profile Width | D Profile Thickness |
|----------------------|-----------------------|--------------------|--------------------|-----------------|---------------------|
| SCX-6-1/16-50 | SCX-6-1/16-100 | 6 | 1/16 (.063) | .437 | .350 |
| SCX-6-1/8-50 | SCX-6-1/8-100 | 6 | 1/8 (.125) | .437 | .350 |
| SCX-6-1/4-50 | SCX-6-1/4-100 | 6 | .134 | .437 | .350 |
| SCY-6-3/16-50 | SCY-6-3/16-100 | 6 | 3/16 (.188) | .625 | .350 |
| SCX-9-1/4-50 | SCX-9-1/4-100 | 9 | 3/32 (.094) | .437 | .350 |
| SCX-9-1/2-50 | SCX-9-1/2-100 | 9 | .104 | .437 | .350 |
| SCX-9-3/4-50 | SCX-9-3/4-100 | 9 | .134 | .437 | .350 |
| SCY-9-3/16-50 | SCY-9-3/16-100 | 9 | 3/16 (.188) | .625 | .350 |
| SCY-9-1/4-50 | SCY-9-1/4-100 | 9 | 7/32 (.219) | .625 | .350 |
| SCY-9-1/2-50 | SCY-9-1/2-100 | 9 | 1/4 (.250) | .625 | .350 |
| SCX-12-1/4-50 | SCX-12-1/4-100 | 12 | 1/8 (.125) | .437 | .350 |
| SCX-12-1/2-50 | SCX-12-1/2-100 | 12 | .134 | .437 | .350 |
| SCY-12-3/16-50 | SCY-12-3/16-100 | 12 | 3/16 (.188) | .625 | .350 |
| SCY-12-1/4-50 | SCY-12-1/4-100 | 12 | 1/4 (.250) | .625 | .350 |
| SCX-16-1/4-50 | SCX-16-1/4-100 | 16 | .134 | .437 | .350 |
| SCY-16-1/4-50 | SCY-16-1/4-100 | 16 | 7/32 (.219) | .625 | .350 |
| SCY-16-1/2-50 | SCY-16-1/2-100 | 16 | 1/4 (.250) | .625 | .350 |
| SCY-20-1/4-50 | SCY-20-1/4-100 | 20 | 1/4 (.250) | .625 | .350 |
| SCY-24-1/4-50 | SCY-24-1/4-100 | 24 | 1/4 (.250) | .625 | .350 |
| SCY-24-3/16-50 | SCY-24-3/16-100 | 24 | 3/16 (.188) | .625 | .350 |



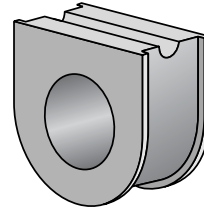
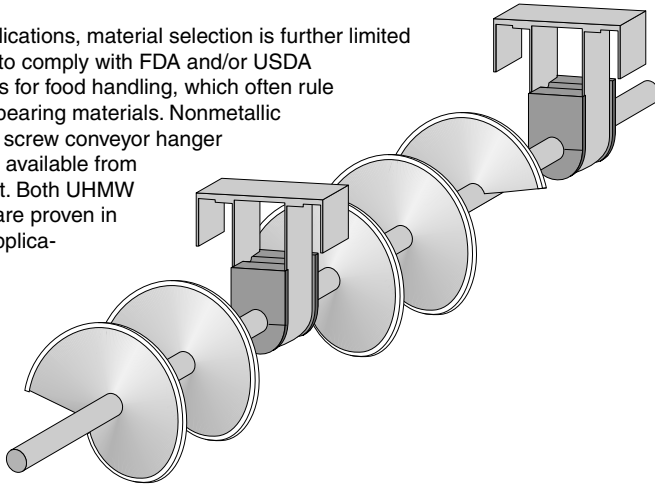


Screw Conveyor Hanger Bearings

Hanger Bearings

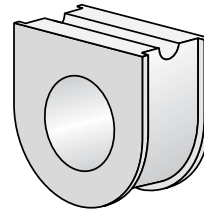
Screw Conveyor Hanger Bearings are designed to support the center shaft of a feed screw, and are exposed to all media or products being conveyed. The bearing material used for screw conveyors must be carefully selected in order to withstand the environmental conditions and the presence of abrasive materials.

In some applications, material selection is further limited by the need to comply with FDA and/or USDA specifications for food handling, which often rule out metallic bearing materials. Nonmetallic materials for screw conveyor hanger bearings are available from System Plast. Both UHMW and Nolu-S are proven in numerous applications.



Nolu-S

Nolu-S is a proprietary alloy of food grade lubricants combined with UHMW. This creates a material which retains most of the properties of UHMW while significantly reducing friction. Nolu-S advantages include protection of expensive mating surfaces, lower noise levels and FDA and USDA approved ingredients.



UHMW

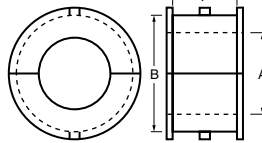
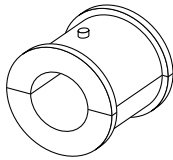
H series hanger bearings are manufactured from UHMW, the most abrasion resistant, low friction thermoplastic created. This material complies with FDA and USDA specifications for direct food contact applications. Impact loads will not crack these even at low temperature.

UHMW Covers & Aluminum Rails

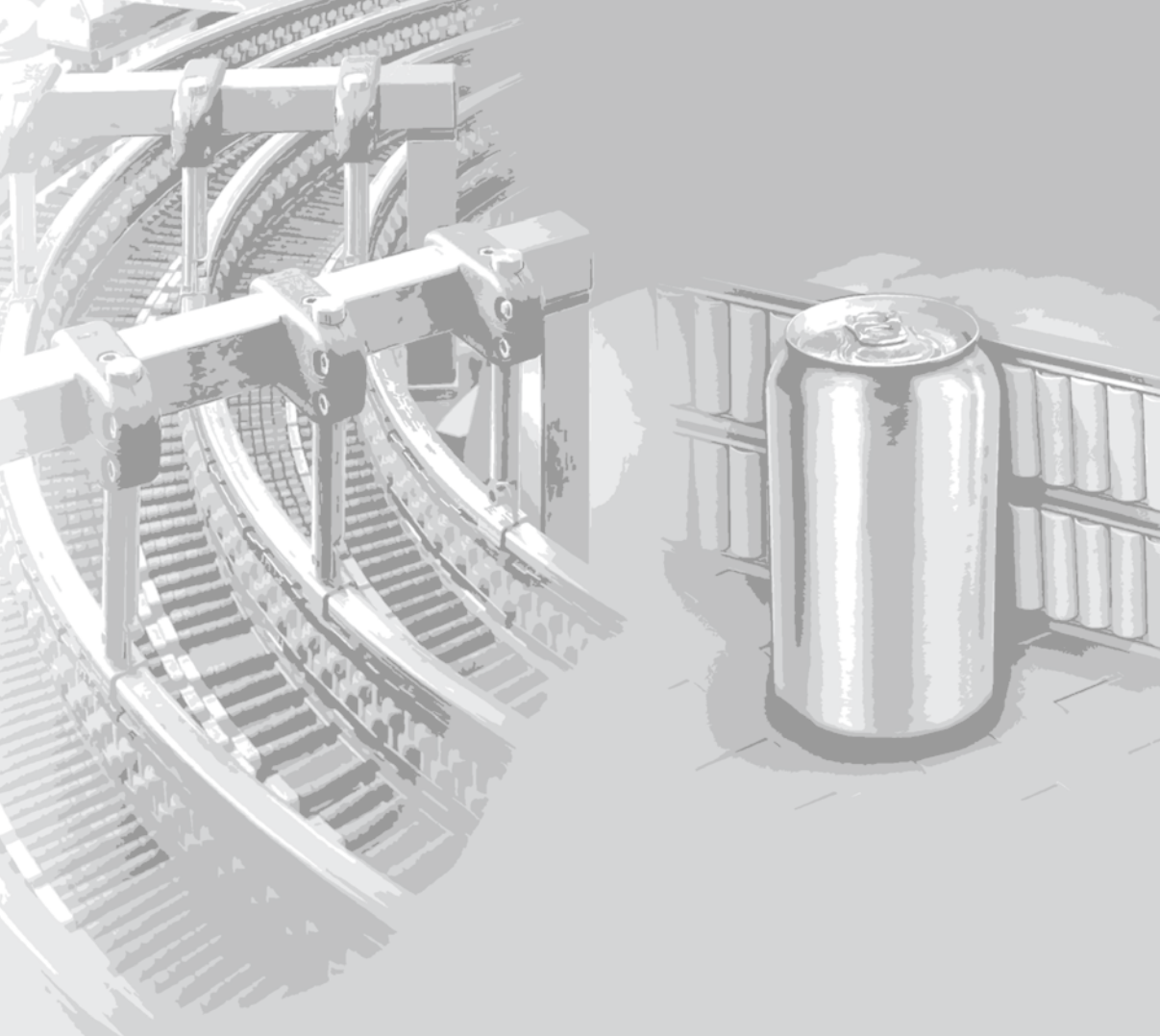
HAC

Hanger Bearing

Hanger styles:
20B-26B-28B-
220-226-326






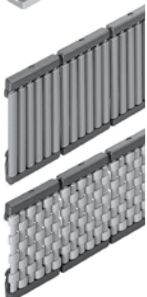


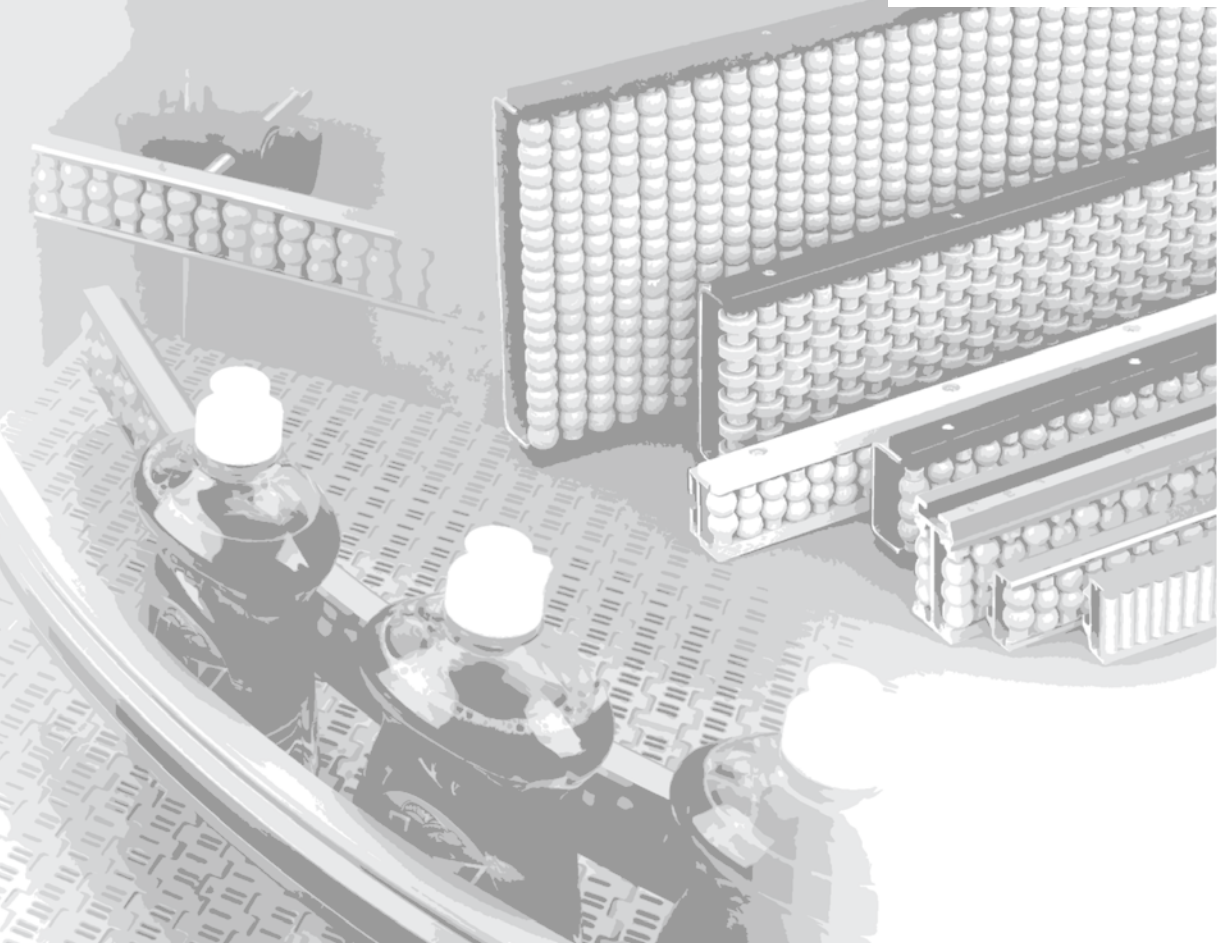
| UHMW | Nolu-S | A | B | C |
|-----------------|-----------------|---------------|--------------|---------------|
| HAC-3244 | SAC-3244 | 2 | 2-3/4 | 1-9/16 |
| HAC-4864 | - | 3 | 4 | 2-3/8 |
| HAC-5576 | - | 3-7/16 | 4-3/4 | 3-1/8 |



BEAD AND ROLLER GUIDES

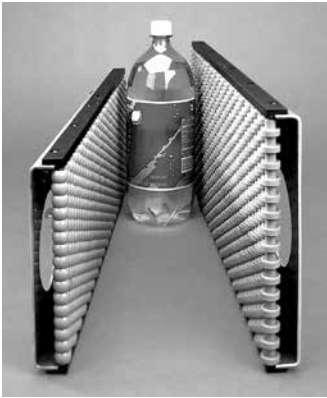
Section 5

- 
SpeedRail SB
 ... Page **269**
- 
Flexible SpeedRail & SpeedRoll ...
 Page **271**
- 
SpeedRoll ...
 Page **272**
- 
SpeedRail ...
 Page **274**
- 
BeadRail ...
 Page **275**
- 
Flexible Bead & Roller Guides...
 Page **276**



- 
Lane Divider ...
 Page **279**
- 
BeadWall...
 Page **280**
- 
Heavy Duty BeadWall ...
 Page **281**
- 
Roller Combiner ...
 Page **282**
- 
Bead Guide Accessories
 Page **283**

Low Friction Bead and Roller Guides



Valu Guide Bead Guides and Combiners are an excellent solution for those areas on a conveying line where containers have trouble moving smoothly and tend to crowd together or jam. The dense pattern of free moving beads or rollers, supported by pins and a metal channel, create a durable, low friction guiding surface. This free rolling action does not allow the package to create any friction points or bridges, which can cause jamming and possibly cause unwanted shutdowns. Our low friction bead guides include light to heavy duty options, each with a wide selection of heights and lengths. Valu Guide bead guides and combin-

ers are also available in custom curved sections. Additional information can be obtained by calling System Plast at (866) 765-8744 or visit www.RegalPTS.com.

- **Eliminates jamming**
- **No friction points or bridging**
- **Increases throughput**
- **Reduces product damage**
- **Excellent for paper, plastic and metal containers**



A SpeedRail™

SpeedRail offers an economical low friction roller guide surface that can be easily modified. The Valu Guide rail bending machine can be used to easily form inner or outer curves. Plus, SpeedRail can be cut to any length between beads. Easy fastening frame slots permit fastening anywhere along the back side of the aluminum channel.

B SpeedRail SB™, SpeedRoll™

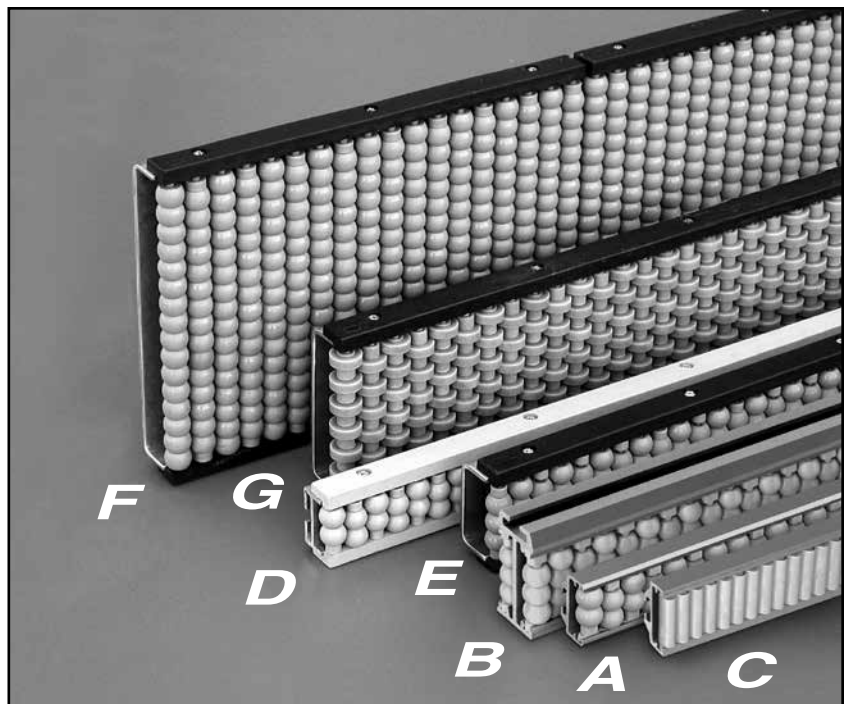
Low friction, light duty, small diameter beads or rollers provides excellent guides for polywrapped containers or PET bottles. Can be cut to length and bent using special rollers and the Valu Guide rail bender. Easy fastening frame slots permit fastening anywhere along the back side of the aluminum channel.

C Flexible SpeedRail SB™, SpeedRoll™

SpeedRoll offers a low friction roller guide surface that is great for thin walled aluminum containers or load sensitive items. The Valu Guide rail bending machine can be used to easily form inner or outer curves. Plus, SpeedRoll can be cut to any length between rollers. Easy fastening frame slots permit fastening anywhere along the back side of the aluminum channel.

D BeadRail™

This Economical roller guide can be used for light to medium duty carry surfaces or side rails. Easy fastening frame slots permit fastening anywhere along the back side of the aluminum channel version, or every 6 inches when using a stainless steel channel. Aluminum channels are available in two heights.



E BeadWall™

This high density bead pattern is our most popular low friction guiding surface. The heavy gauge stainless or plated steel channel construction can withstand significant side loads. Easy fastening frame slots allow for horizontal and vertical BeadWall applications.

F Heavy Duty BeadWall™

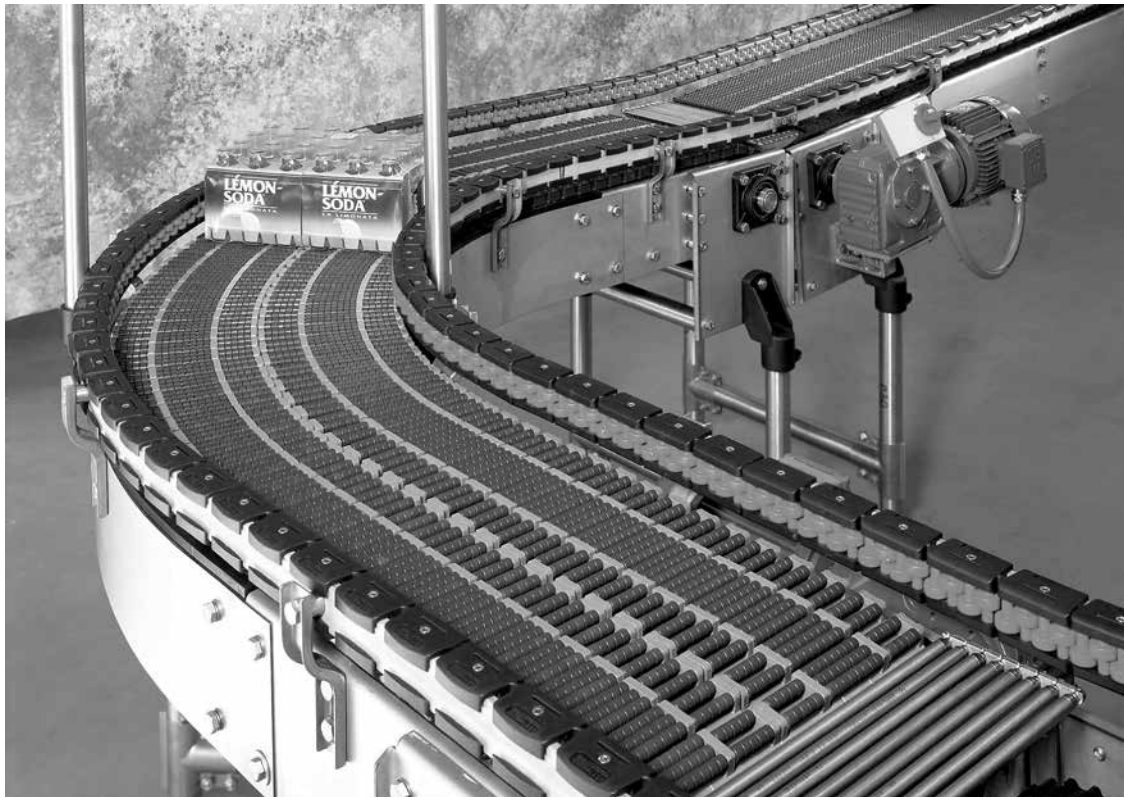
For extreme load conditions, Heavy Duty BeadWall is constructed with larger diameter beads and thicker stainless steel pins. These modifications accommodate large load capacities and allow for bead surfaces up to 10 inches.

G Roller Combiner

For applications where a flat contact surface is preferred, Roller Combiner is available with all of the low friction guiding advantages of BeadWall. Available in heights up to 10 inches.

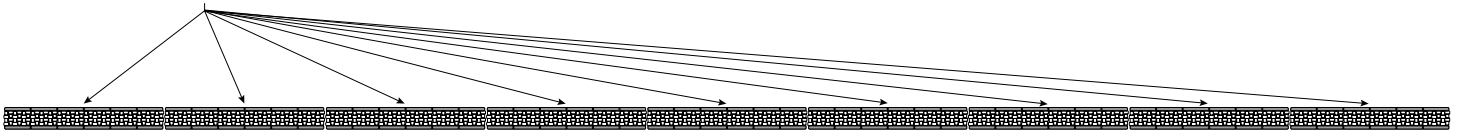
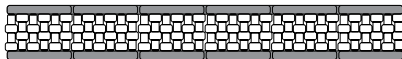
**SYSTEM
PLAST™**

©2015 Regal-Beloit Corporation, All Rights Reserved.



Bead and Roller Guides

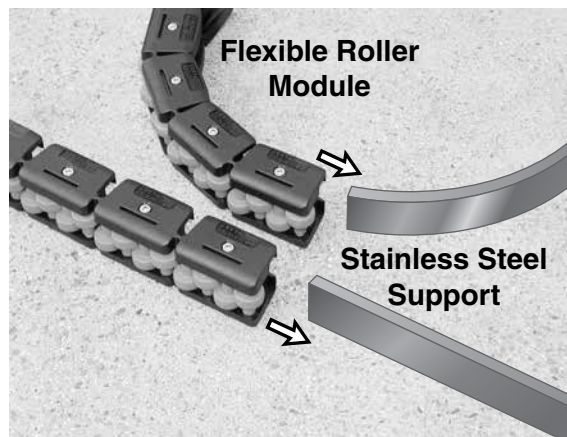
Single module



Several single modules assembled onto the M-Profile support (pg. 276) or a steel support to form one 3 meter (approx. 10 ft.) section

These low noise, long life, bead guides offer quick installation and smooth operation. They are designed for boxes and containers (glass and plastic bottles, tin and strong aluminum cans). Excellent for accumulation areas. Can be cut to length.

- ***Eliminates jamming***
- ***No friction points or bridging***
- ***Increases throughput***
- ***Reduces product damage***
- ***Excellent for paper, plastic and metal containers***



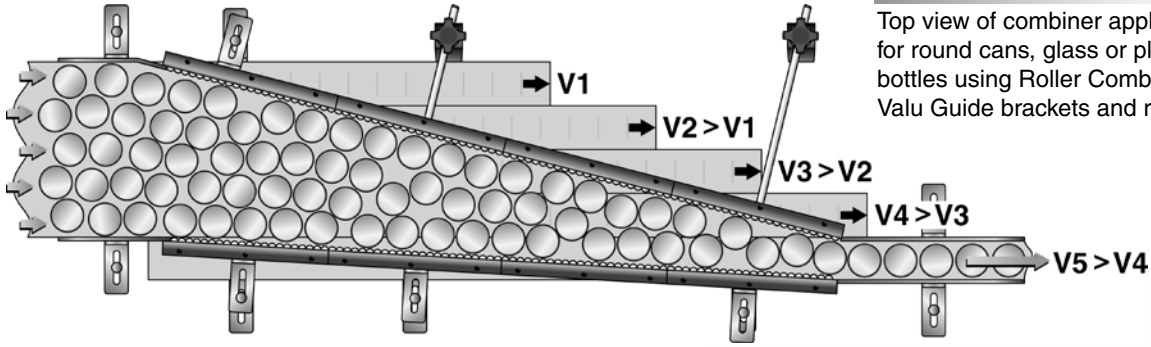
Modules slide onto 40mm x 8 mm flat bars or the M-Profile. Minimum radius for a curved section is 10 in. (beads outside) and 12 in. (beads inside).



Applications for Bead and Roller Guides

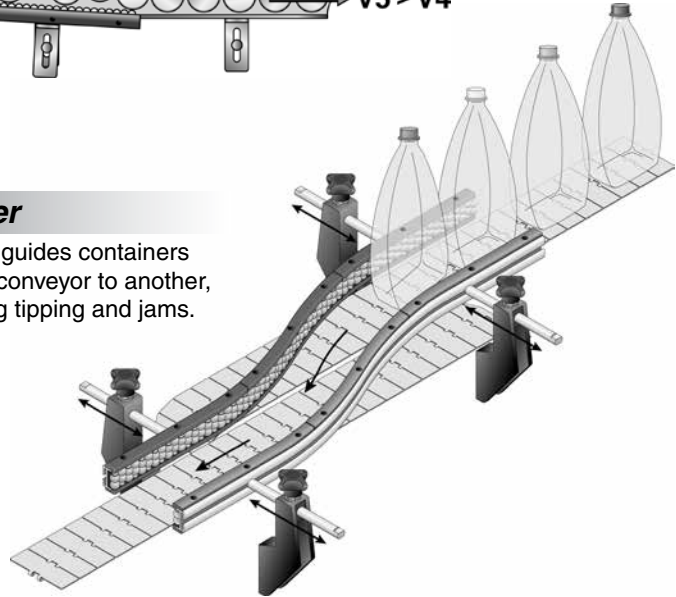
Single Filer

Top view of combiner application for round cans, glass or plastic bottles using Roller Combiner and Valu Guide brackets and rods.

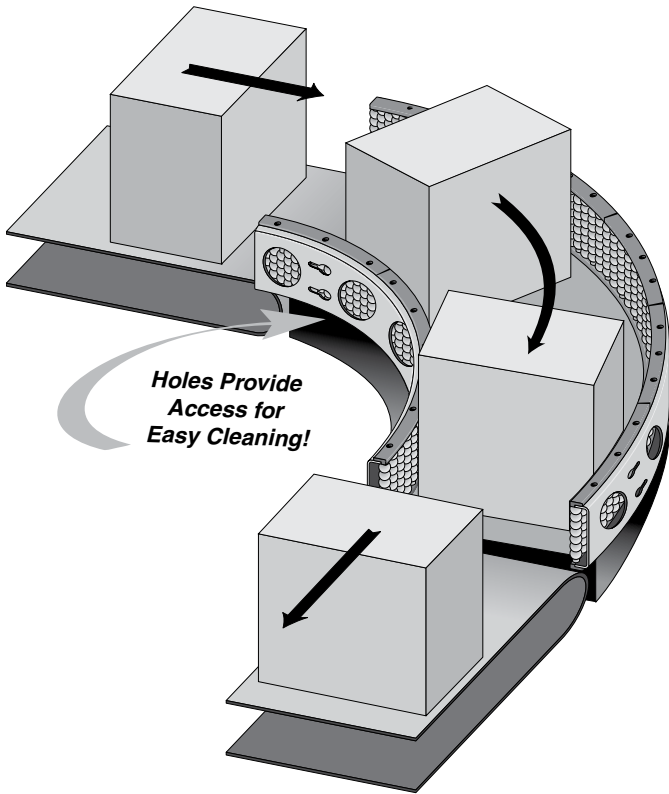


Transfer

Smoothly guides containers from one conveyor to another, minimizing tipping and jams.

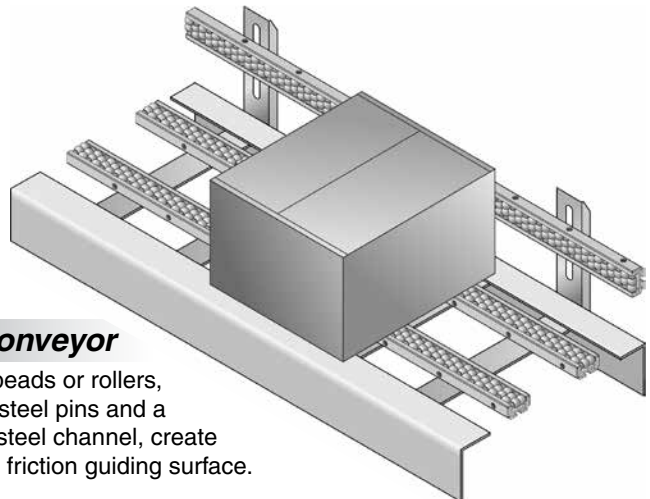


Bead and Roller Guides



Maintaining Orientation

In straights or especially in curved sections, BeadWall does an excellent job of keeping packages or containers oriented correctly.



Gravity Conveyor

Free moving beads or rollers, supported by steel pins and a heavy gauge steel channel, create a durable, low friction guiding surface.



687-1.4

SpeedRail SB™ Lane Divider

Low friction 2-sided beaded lane divider provides excellent guides for polywrapped containers or PET bottles. Can be cut to length and bent using special rollers and the Valu Guide rail bender. Easy mounting using VG-1568-02 bolts (included). Operating temperature range: -10°F to +180°F.

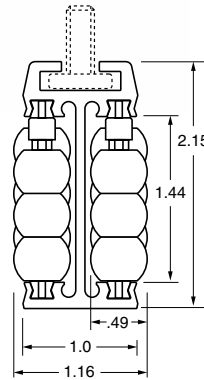
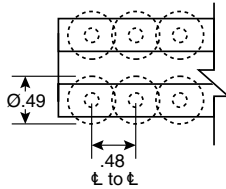
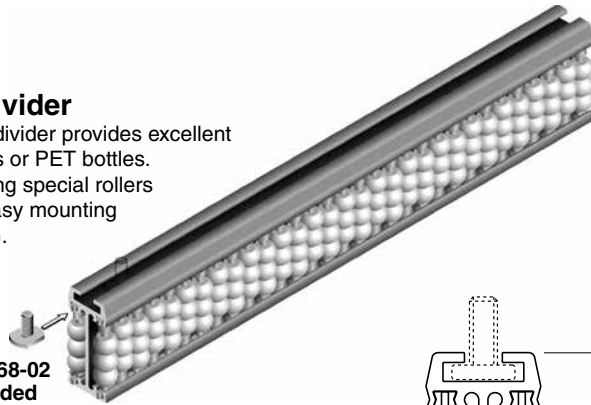


Patent No.
6,516,933
6,991,086,B2



24"
min. bending radius in either direction. Field bendable with Valu Guide rail bender on pg. 220 or custom bend request form on pg. 287.

VG-1568-02 included (see page 284)



- Easy mounting
- Great for polywrapped containers or PET
- On-site bendable
- Cut to desired length

Material: Aluminum channel, FDA accepted engineered polymer pins, gray acetal beads.

| Part Number | No. of Bolts Included* | Length (ft.) |
|---------------|------------------------|--------------|
| VG-687-1.4-02 | 3 | 2 |
| VG-687-1.4-03 | 3 | 3 |
| VG-687-1.4-04 | 3 | 4 |
| VG-687-1.4-05 | 4 | 5 |
| VG-687-1.4-06 | 4 | 6 |
| VG-687-1.4-07 | 5 | 7 |
| VG-687-1.4-08 | 5 | 8 |
| VG-687-1.4-10 | 6 | 10 |

*Bolts included are VG-1568-02

Bead and Roller Guides

687H-1.4

SpeedRail SB™

Low friction beads provide excellent guides for polywrapped containers or PET bottles. Smaller beads help guide smaller containers. Can be cut to length and bent using special rollers and the Valu Guide rail bender. Easy mounting using VG-1568-02 bolts (included). Operating temperature range: -10°F to +180°F.

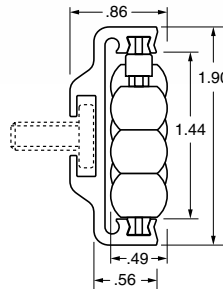
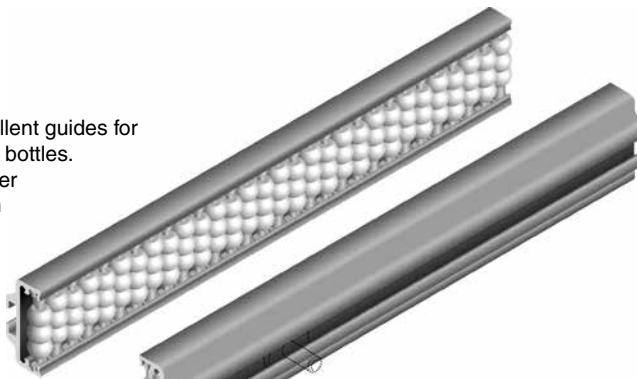


Patent No.
6,516,933
6,991,086,B2



12"
min. bending radius in either direction. Field bendable with Valu Guide rail bender on pg. 220 or custom bend request form on pg. 287.

VG-1568-02 included (see page 284)



Material: Aluminum channel, FDA accepted engineered polymer pins, gray acetal beads.

| Part Number | No. of Bolts Included* | Length (ft.) |
|----------------|------------------------|--------------|
| VG-687H-1.4-02 | 3 | 2 |
| VG-687H-1.4-03 | 3 | 3 |
| VG-687H-1.4-04 | 3 | 4 |
| VG-687H-1.4-05 | 4 | 5 |
| VG-687H-1.4-06 | 4 | 6 |
| VG-687H-1.4-07 | 5 | 7 |
| VG-687H-1.4-08 | 5 | 8 |
| VG-687H-1.4-09 | 6 | 9 |
| VG-687H-1.4-10 | 6 | 10 |

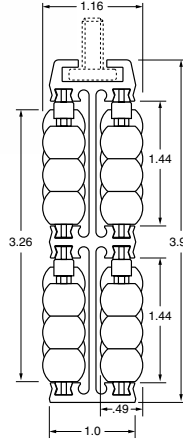
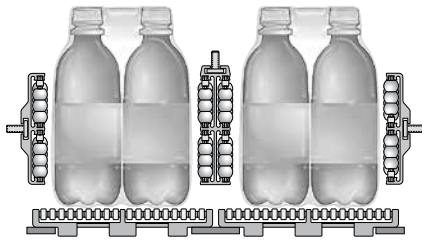
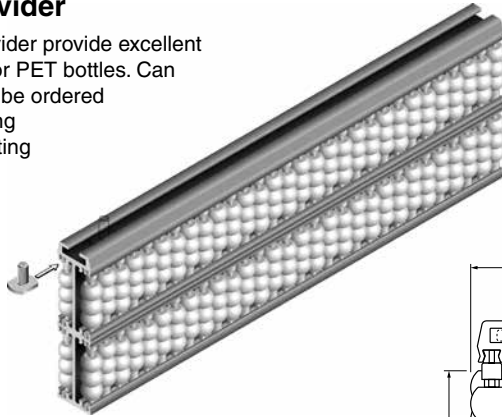
*Bolts included are VG-1568-02

687-3.3 2-Strand SpeedRail SB™ Lane Divider

Low friction 2-sided beaded lane divider provide excellent guides for polywrapped containers or PET bottles. Can be cut to length. Custom bends can be ordered from the factory. Easy mounting using VG-1568-02 bolts (included). Operating temperature range: -10°F to +180°F.



Patent No.
6,516,933
6,991,086,B2



Material: Aluminum channel, FDA accepted engineered polymer pins, gray acetal beads.

| Part Number | No. of Bolts Included* | Length (ft.) |
|---------------|------------------------|--------------|
| VG-687-3.3-02 | 3 | 2 |
| VG-687-3.3-03 | 3 | 3 |
| VG-687-3.3-04 | 3 | 4 |
| VG-687-3.3-05 | 4 | 5 |
| VG-687-3.3-06 | 4 | 6 |
| VG-687-3.3-07 | 5 | 7 |
| VG-687-3.3-08 | 5 | 8 |
| VG-687-3.3-09 | 6 | 9 |
| VG-687-3.3-10 | 6 | 10 |

*Bolts included are VG-1568-02

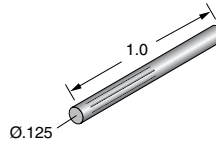
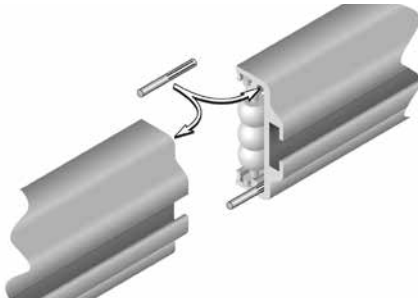


Bead and Roller Guides

687SP

SpeedRail SB™ Splicing Pins

For use with:
VG-687-1.4-...
VG-687H-1.4-...
VG-687-3.3-...
VG-687H-3.3-...



Material: Stainless steel.

Part Number
VG-687SP

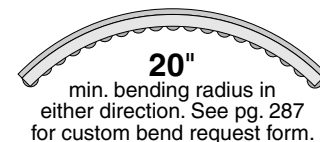
687H-3.3 2-Strand SpeedRail SB™

A wider bead guide used for carry surfaces or side rails. Low friction beads provide excellent guides for polywrapped containers or PET bottles. Smaller beads help guide smaller containers. Can be cut to length. Custom bends can be ordered from the factory. Easy mounting using VG-1568-02 bolts (included). Operating temp. range: -10°F to +180°F.

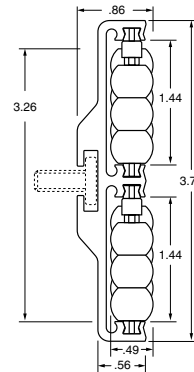
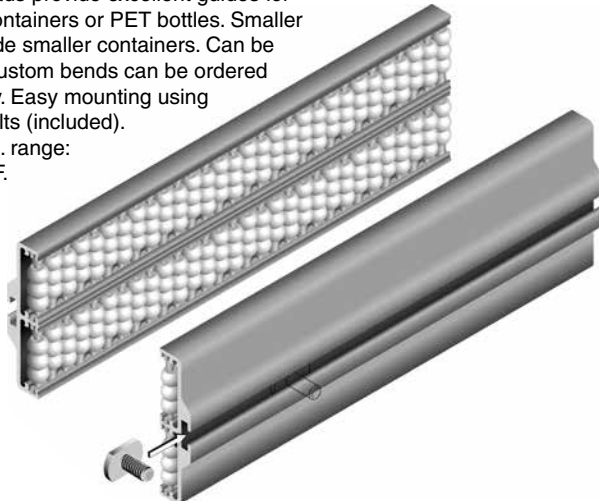
Material: Aluminum channel, FDA accepted engineered polymer pins, gray acetal beads.

| Part Number | No. of Bolts Included* | Length (ft.) |
|----------------|------------------------|--------------|
| VG-687H-3.3-02 | 3 | 2 |
| VG-687H-3.3-03 | 3 | 3 |
| VG-687H-3.3-04 | 3 | 4 |
| VG-687H-3.3-05 | 4 | 5 |
| VG-687H-3.3-06 | 4 | 6 |
| VG-687H-3.3-07 | 5 | 7 |
| VG-687H-3.3-08 | 5 | 8 |
| VG-687H-3.3-09 | 6 | 9 |
| VG-687H-3.3-10 | 6 | 10 |

*Bolts included are VG-1568-02



Patent No.
6,516,933
6,991,086,B2

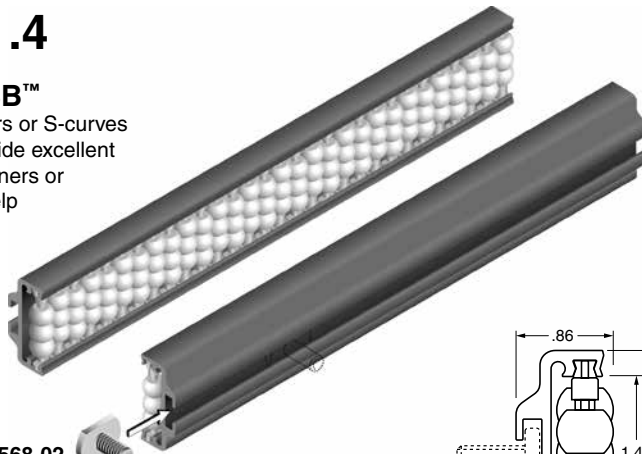




687FLEX-1.4

Flexible SpeedRail SB™

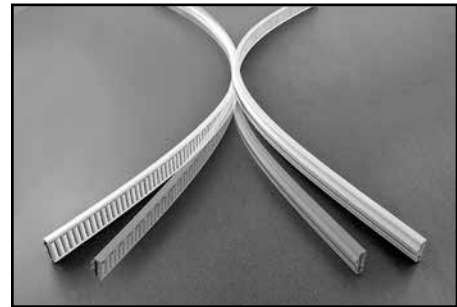
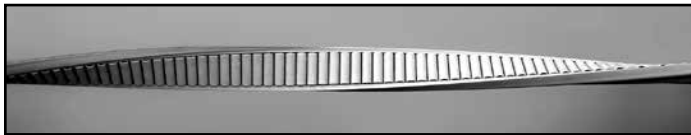
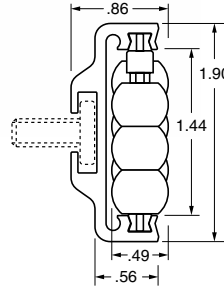
Bend by hand to create corners or S-curves easily. Low friction beads provide excellent guides for polywrapped containers or PET bottles. Smaller beads help guide smaller containers. Can be cut to length. Easy mounting using VG-1568-02 bolts (included). Operating temperature range: -10°F to +180°F.



VG-1568-02
included
(see page 284)



Patent No.
6,516,933
7,147,098,B2



Bead and
Roller Guides

Material: PVC channel, FDA accepted engineered polymer pins, gray acetal beads.

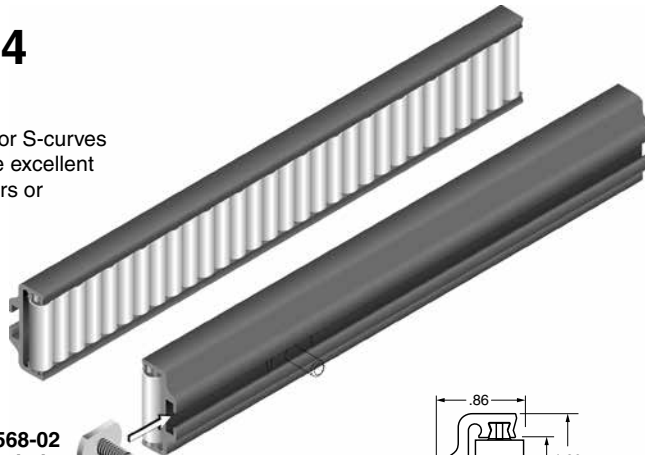
| Part Number | No. of Bolts Included* | Length (ft.) |
|-------------------|------------------------|--------------|
| VG-687FLEX-1.4-02 | 3 | 2 |
| VG-687FLEX-1.4-03 | 3 | 3 |
| VG-687FLEX-1.4-04 | 3 | 4 |
| VG-687FLEX-1.4-05 | 4 | 5 |
| VG-687FLEX-1.4-06 | 4 | 6 |
| VG-687FLEX-1.4-07 | 5 | 7 |
| VG-687FLEX-1.4-08 | 5 | 8 |
| VG-687FLEX-1.4-09 | 6 | 9 |
| VG-687FLEX-1.4-10 | 6 | 10 |

*Bolts included are VG-1568-02

688FLEX-1.4

Flexible SpeedRoll™

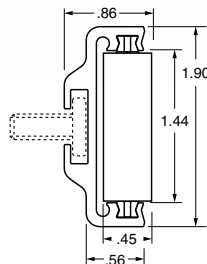
Bend by hand to create corners or S-curves easily. Low friction beads provide excellent guides for polywrapped containers or PET bottles. Smaller beads help guide smaller containers. Can be cut to length. Easy mounting using VG-1568-02 bolts (included). Operating temperature range: -10°F to +180°F.



VG-1568-02
included
(see page 284)



Patent No.
6,516,933
7,147,098,B2



Material: PVC channel, FDA accepted engineered polymer pins, gray acetal rollers.

| Part Number | No. of Bolts Included* | Length (ft.) |
|-------------------|------------------------|--------------|
| VG-688FLEX-1.4-02 | 3 | 2 |
| VG-688FLEX-1.4-03 | 3 | 3 |
| VG-688FLEX-1.4-04 | 3 | 4 |
| VG-688FLEX-1.4-05 | 4 | 5 |
| VG-688FLEX-1.4-06 | 4 | 6 |
| VG-688FLEX-1.4-07 | 5 | 7 |
| VG-688FLEX-1.4-08 | 5 | 8 |
| VG-688FLEX-1.4-09 | 6 | 9 |
| VG-688FLEX-1.4-10 | 6 | 10 |

*Bolts included are VG-1568-02



688-1.4

SpeedRoll™ Lane Divider

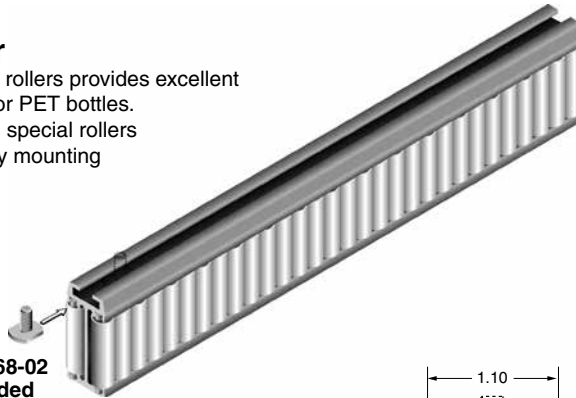
2-sided lane divider with low friction rollers provides excellent guides for polywrapped containers or PET bottles. Can be cut to length and bent using special rollers and the Valu Guide rail bender. Easy mounting using VG-1568-02 bolts (included). Operating temperature range: -10°F to +180°F.

- Easy mounting
- Great for polywrapped containers or PET
- On-site bendable
- Cut to desired length

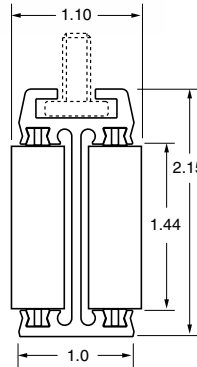
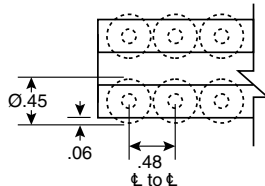
Material: Aluminum channel, FDA accepted engineered polymer pins, gray acetal rollers.

| Part Number | No. of Bolts Included* | Length (ft.) |
|---------------|------------------------|--------------|
| VG-688-1.4-02 | 3 | 2 |
| VG-688-1.4-03 | 3 | 3 |
| VG-688-1.4-04 | 3 | 4 |
| VG-688-1.4-05 | 4 | 5 |
| VG-688-1.4-06 | 4 | 6 |
| VG-688-1.4-07 | 5 | 7 |
| VG-688-1.4-08 | 5 | 8 |
| VG-688-1.4-10 | 6 | 10 |

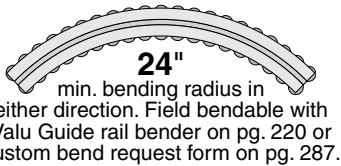
*Bolts included are VG-1568-02



VG-1568-02 included (see page 284)



Patent No. 6,516,933 6,991,086,B2



Bead and Roller Guides

688H-1.4

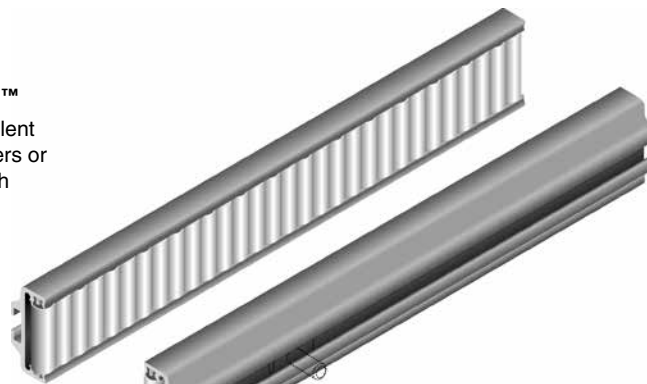
Aluminium SpeedRoll™

Low friction rollers provide excellent guides for polywrapped containers or PET bottles. Can be cut to length and bent using special rollers and the Valu Guide rail bender. Easy mounting using VG-1568-02 bolts (included). Operating temperature range: -10°F to +180°F.

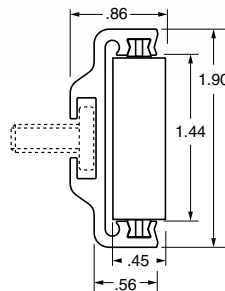
Material: Aluminum channel, FDA accepted engineered polymer pins, gray acetal rollers.

| Part Number | No. of Bolts Included* | Length (ft.) |
|----------------|------------------------|--------------|
| VG-688H-1.4-02 | 3 | 2 |
| VG-688H-1.4-03 | 3 | 3 |
| VG-688H-1.4-04 | 3 | 4 |
| VG-688H-1.4-05 | 4 | 5 |
| VG-688H-1.4-06 | 4 | 6 |
| VG-688H-1.4-07 | 5 | 7 |
| VG-688H-1.4-08 | 5 | 8 |
| VG-688H-1.4-09 | 6 | 9 |
| VG-688H-1.4-10 | 6 | 10 |

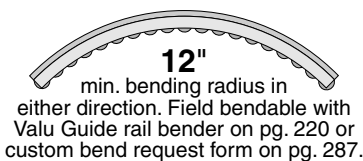
*Bolts included are VG-1568-02



VG-1568-02 included (see page 284)



Patent No. 6,516,933 6,991,086,B2

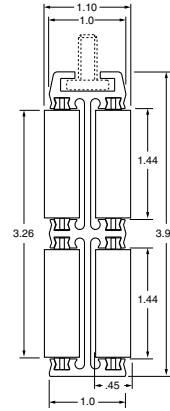
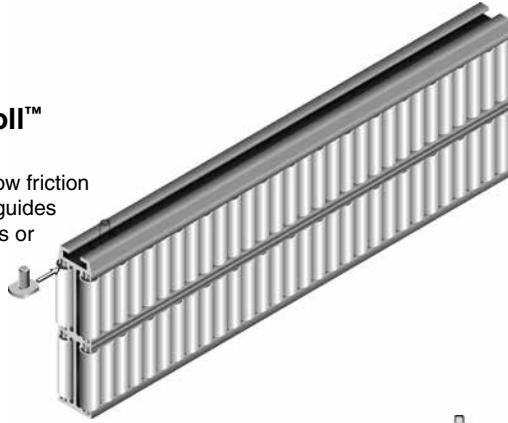




688-3.3

2-Strand SpeedRoll™ Lane Divider

2-sided lane divider with low friction rollers provides excellent guides for polywrapped containers or PET bottles. Can be cut to length. Custom bends can be ordered from the factory. Easy mounting using VG-1568-02 bolts (included). Operating temperature range: -10°F to +180°F.



Patent No.
6,516,933
6,991,086,B2

Material: Aluminum channel, FDA accepted engineered polymer pins, gray acetal rollers.

| Part Number | No. of Bolts Included* | Length (ft.) |
|---------------|------------------------|--------------|
| VG-688-3.3-02 | 3 | 2 |
| VG-688-3.3-03 | 3 | 3 |
| VG-688-3.3-04 | 3 | 4 |
| VG-688-3.3-05 | 4 | 5 |
| VG-688-3.3-06 | 4 | 6 |
| VG-688-3.3-07 | 5 | 7 |
| VG-688-3.3-08 | 5 | 8 |
| VG-688-3.3-10 | 6 | 10 |

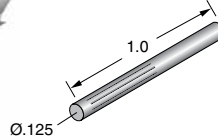
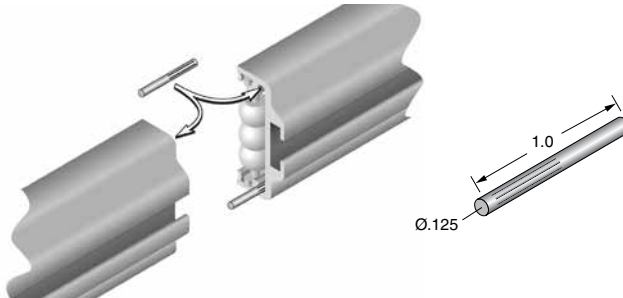
*Bolts included are VG-1568-02



687SP

SpeedRoll™ Splicing Pins

For use with:
VG-688-1.4-...
VG-688H-1.4-...
VG-688-3.3-...
VG-688H-3.3-...



Material: Stainless steel.

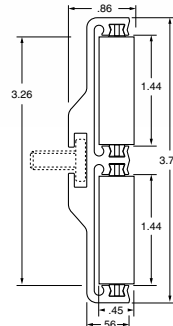
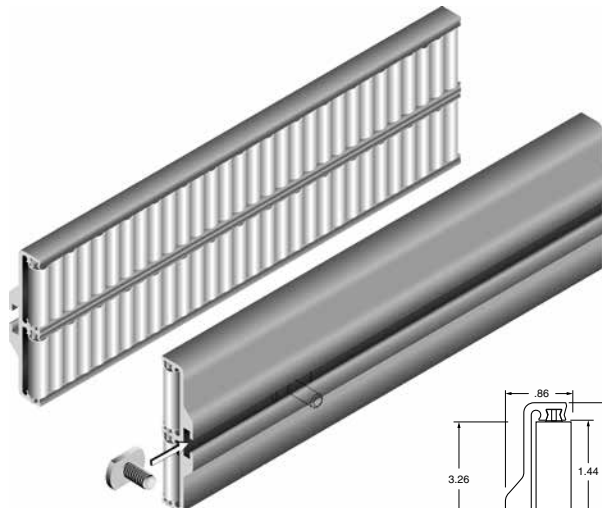
Part Number
VG-687SP

Bead and Roller Guides

688H-3.3

2-Strand Aluminum SpeedRoll™

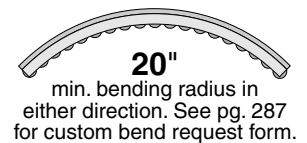
A wider roller guide used for carry surfaces or side rails. Low friction rollers provide excellent guides for polywrapped containers or PET bottles. Can be cut to length. Custom bends can be ordered from the factory. Easy mounting using VG-1568-02 bolts (included). Operating temp. range: -10°F to +180°F.



Material: Aluminum channel, FDA accepted engineered polymer pins, gray acetal rollers.

| Part Number | No. of Bolts Included* | Length (ft.) |
|----------------|------------------------|--------------|
| VG-688H-3.3-02 | 3 | 2 |
| VG-688H-3.3-03 | 3 | 3 |
| VG-688H-3.3-04 | 3 | 4 |
| VG-688H-3.3-05 | 4 | 5 |
| VG-688H-3.3-06 | 4 | 6 |
| VG-688H-3.3-07 | 5 | 7 |
| VG-688H-3.3-08 | 5 | 8 |
| VG-688H-3.3-10 | 6 | 10 |

*Bolts included are VG-1568-02



Patent No.
6,516,933
6,991,086,B2



686A-1.25

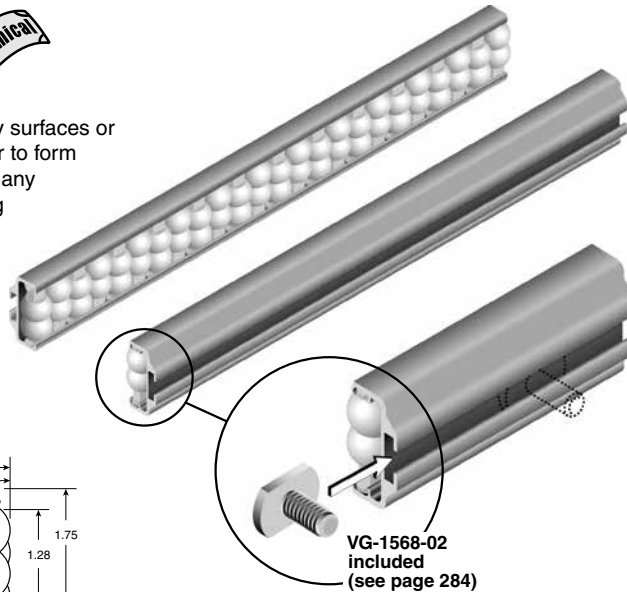
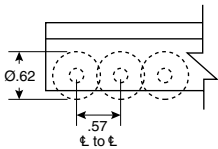
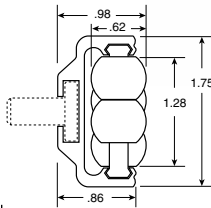


SpeedRail™

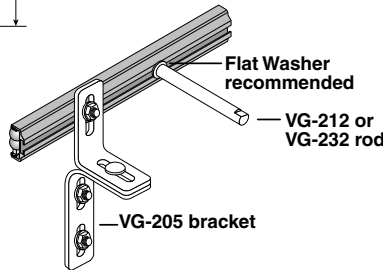
Economical bead guide used for carry surfaces or side rails. Use Valu Guide Rail Bender to form inner and outer curves. Can be cut to any length between beads. Easy fastening frame slot for horizontal and vertical applications. Operating temperature range: -10°F to +180°F.



Patent No.
6,516,933
6,991,086,B2



VG-1568-02 included (see page 284)



Flat Washer recommended

VG-212 or VG-232 rod

VG-205 bracket

Material: Aluminum channel, FDA accepted engineered polymer pins, gray acetal beads.

| Part Number | No. of Bolts Included* | Length (ft.) |
|-----------------|------------------------|--------------|
| VG-686A-1.25-02 | 3 | 2 |
| VG-686A-1.25-03 | 3 | 3 |
| VG-686A-1.25-04 | 3 | 4 |
| VG-686A-1.25-05 | 4 | 5 |
| VG-686A-1.25-06 | 4 | 6 |
| VG-686A-1.25-07 | 5 | 7 |
| VG-686A-1.25-08 | 5 | 8 |
| VG-686A-1.25-09 | 6 | 9 |
| VG-686A-1.25-10 | 6 | 10 |

*Bolts included are VG-1568-02



12"
min. bending radius in either direction. Field bendable with Valu Guide rail bender on pg. 220 or custom bend request form on pg. 287.

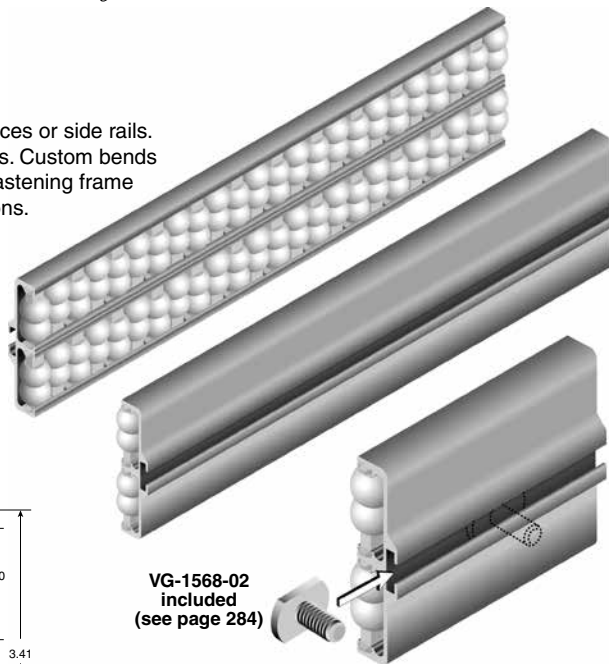
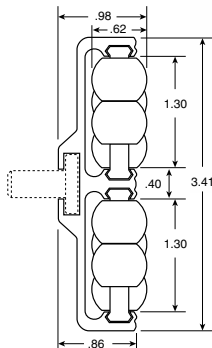
686A-3.0

2-Strand SpeedRail™

A wider bead guide used for carry surfaces or side rails. Can be cut to any length between beads. Custom bends can be ordered from the factory. Easy fastening frame slot for horizontal and vertical applications. Operating temperature range: -10°F to +180°F.



Patent No.
6,516,933
6,991,086,B2



VG-1568-02 included (see page 284)

Material: Aluminum channel, FDA accepted engineered polymer pins, gray acetal beads.

| Part Number | No. of Bolts Included* | Length (ft.) |
|----------------|------------------------|--------------|
| VG-686A-3.0-02 | 3 | 2 |
| VG-686A-3.0-03 | 3 | 3 |
| VG-686A-3.0-04 | 3 | 4 |
| VG-686A-3.0-05 | 4 | 5 |
| VG-686A-3.0-06 | 4 | 6 |
| VG-686A-3.0-07 | 5 | 7 |
| VG-686A-3.0-08 | 5 | 8 |
| VG-686A-3.0-09 | 6 | 9 |
| VG-686A-3.0-10 | 6 | 10 |

*Bolts included are VG-1568-02



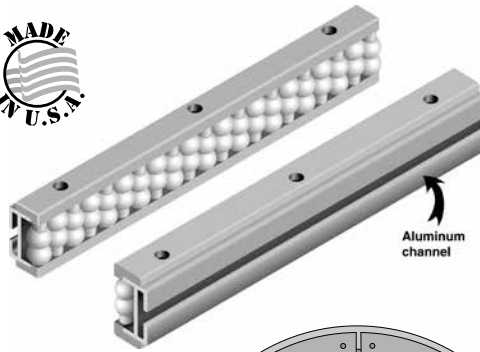
20"
min. bending radius in either direction. See pg. 287 for custom bend request form.



BR-1.5

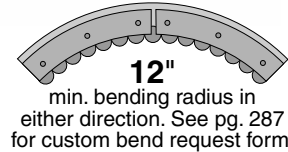
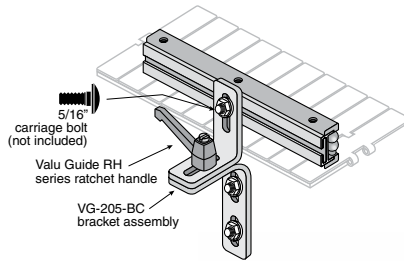
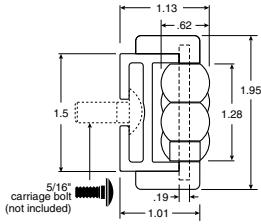
Aluminum Channel BeadRail™

Economical bead guide used for carry surfaces or side rails. Easy fastening frame slot for horizontal and vertical applications. Operating temperature range: -4°F to +170°F.



Material: Aluminum channel, gray polyamide pin rails, carbon steel pins, gray acetal beads.

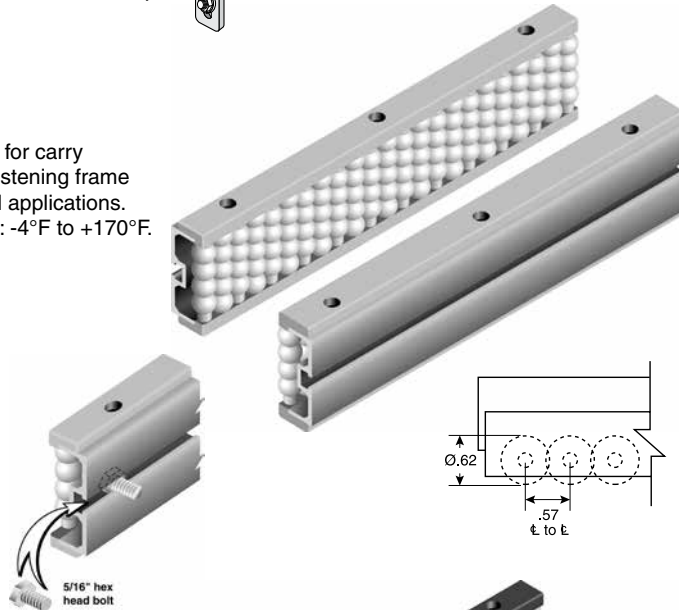
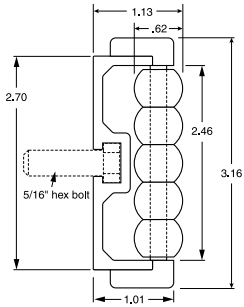
| Part Number | Length (ft.) |
|--------------------|--------------|
| VG-684BR-1.5-AB-02 | 2 |
| VG-684BR-1.5-AB-03 | 3 |
| VG-684BR-1.5-AB-04 | 4 |
| VG-684BR-1.5-AB-05 | 5 |
| VG-684BR-1.5-AB-06 | 6 |
| VG-684BR-1.5-AB-07 | 7 |
| VG-684BR-1.5-AB-08 | 8 |
| VG-684BR-1.5-AB-09 | 9 |
| VG-684BR-1.5-AB-10 | 10 |



BR-3

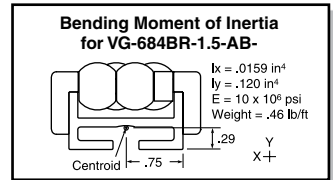
3 Inch Aluminum Channel BeadRail™

Economical bead guide used for carry surfaces or side rails. Easy fastening frame slot for horizontal and vertical applications. Operating temperature range: -4°F to +170°F.



Material: Aluminum channel, gray polyamide pin rails, carbon steel pins, gray acetal beads.

| Part Number | Length (ft.) |
|------------------|--------------|
| VG-684BR-3-AB-02 | 2 |
| VG-684BR-3-AB-03 | 3 |
| VG-684BR-3-AB-04 | 4 |
| VG-684BR-3-AB-05 | 5 |
| VG-684BR-3-AB-06 | 6 |
| VG-684BR-3-AB-07 | 7 |
| VG-684BR-3-AB-08 | 8 |
| VG-684BR-3-AB-09 | 9 |
| VG-684BR-3-AB-10 | 10 |

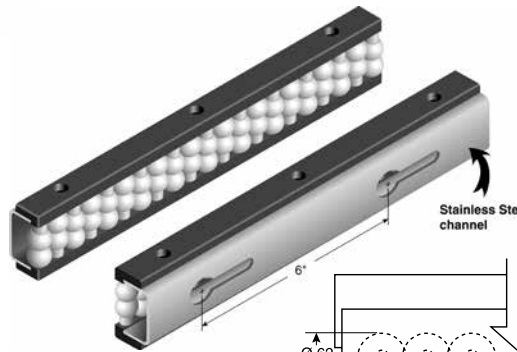
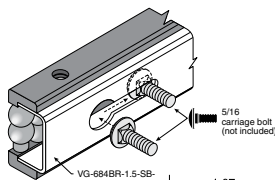


Bead and Roller Guides

BR-1.5

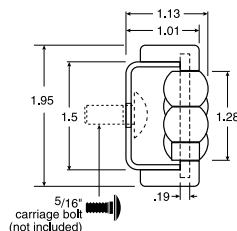
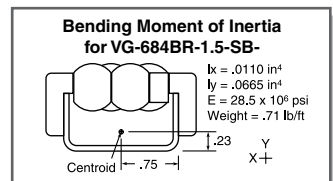
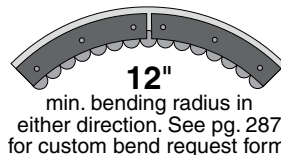
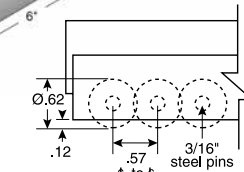
Stainless Steel Channel BeadRail™

Economical bead guide used for carry surfaces or side rails. Easy fastening frame slots for horizontal and vertical applications. Operating temperature range: -4°F to +170°F.



Material: 14 ga. Stainless steel channel, black polyamide pin rails, stainless steel pins, tan acetal beads.

| Part Number | Length (ft.) |
|--------------------|--------------|
| VG-684BR-1.5-SB-02 | 2 |
| VG-684BR-1.5-SB-03 | 3 |
| VG-684BR-1.5-SB-04 | 4 |
| VG-684BR-1.5-SB-05 | 5 |
| VG-684BR-1.5-SB-06 | 6 |
| VG-684BR-1.5-SB-07 | 7 |
| VG-684BR-1.5-SB-08 | 8 |
| VG-684BR-1.5-SB-10 | 10 |

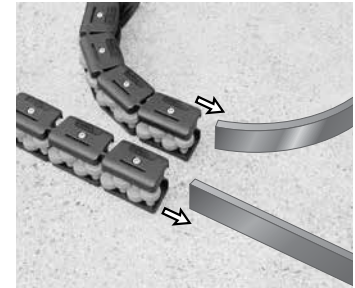
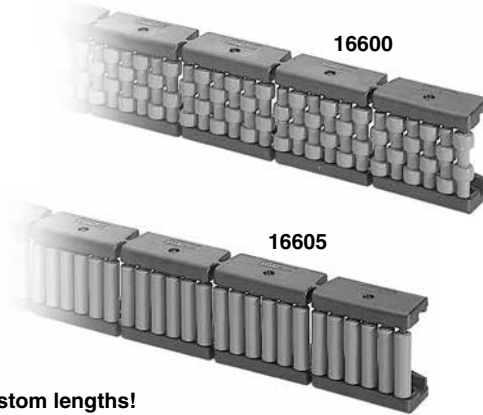




16600 series

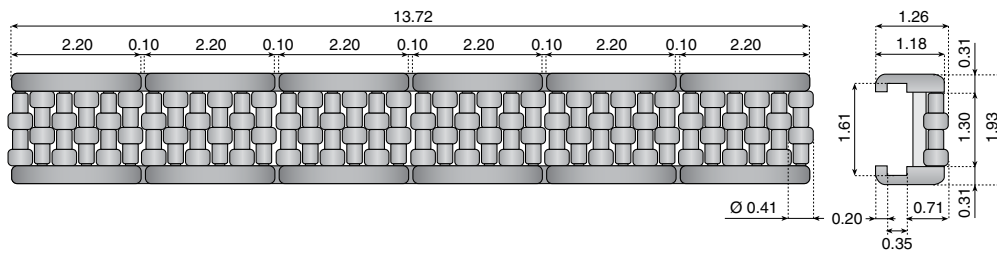
Single, Flexible Roller Module

These low noise, long life, bead guides offer quick installation and smooth operation. They are designed for boxes and containers (glass and plastic bottles, tin and strong aluminum cans). Excellent for accumulation areas.



Modules slide onto 40mm x 8 mm flat bars or the "M" profile below. Minimum radius for a curved section is 10 in. (beads outside) and 12 in. (beads inside).

Combine these single modules together to fit custom lengths!



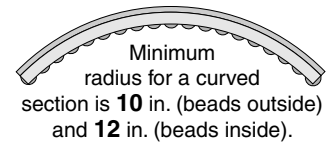
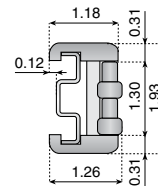
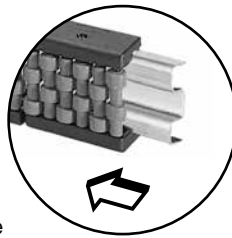
Material: Polyamide straps, acetal rollers and pins, nickel plated brass spacers, stainless steel screws.

| Part Number | Type | Length (inches) |
|-------------|---------|-----------------|
| 16600 | beads | 13.72 |
| 16605 | rollers | 13.72 |

Bead and Roller Guides

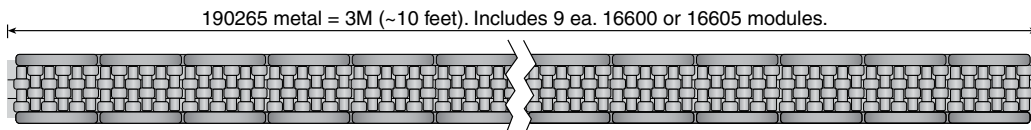
Flexible Roller Assembly with Stainless Steel Support

These low noise, long life, bead guides offer quick installation and smooth operation. They are designed for boxes and containers (glass and plastic bottles, tin and strong aluminum cans). Excellent for accumulation areas. Can be cut to length.



3 meter assembled section!

Material: Stainless steel channel. Polyamide straps, acetal rollers and pins, nickel plated brass spacers, stainless steel screws.



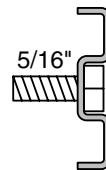
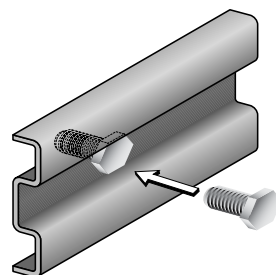
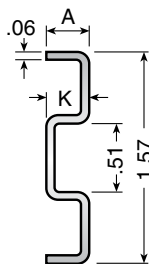
| Part Number | Type | Length |
|-------------|---------|--------------|
| 16655K | beads | 3M (~10 ft.) |
| 16656K | rollers | 3M (~10 ft.) |

190

M-Profile

Stainless steel support for roller modules. See page 221 for compatible bender rollers.

- Inexpensive
- Corrosion resistant
- On-site bendable



Can be mounted by drilling a hole through the steel support. Use a 5/16" hex head to fasten.

Material: 304 stainless steel.

| Part Number | A | K | Length |
|-------------|-----|-----|--------------|
| 19077 | .23 | .39 | 3M (~10 ft.) |
| 190265 | .31 | .31 | 3M (~10 ft.) |
| 19079 | .39 | .39 | 3M (~10 ft.) |

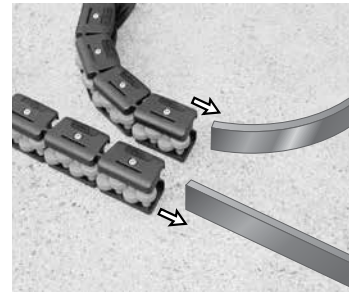
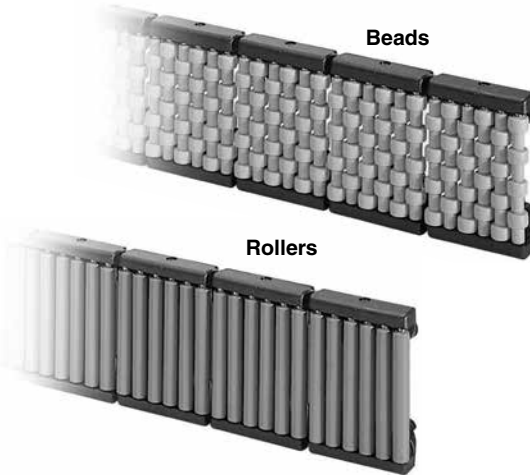


16800 series

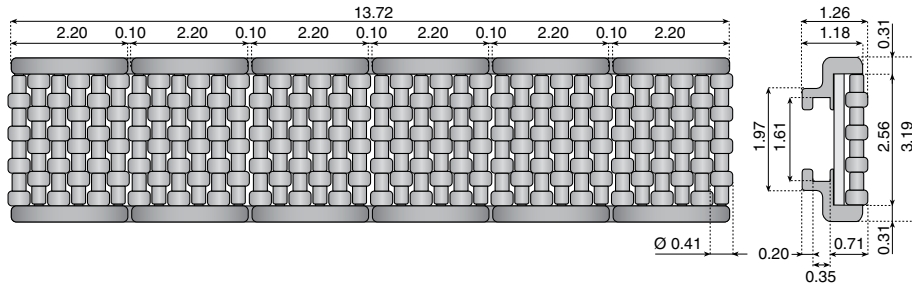
Flexible Roller Module

These low noise, long life, bead guides offer quick installation and smooth operation. They are designed for boxes and containers (glass and plastic bottles, tin and strong aluminum cans). Excellent for accumulation areas.

Combine these single modules together to fit custom lengths!



Modules slide onto 40mm x 8 mm flat bars or the "M" profile below. Minimum radius for a curved section is 10 in. (beads outside) and 12 in. (beads inside).

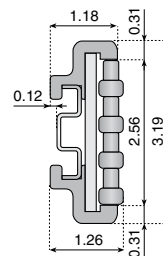
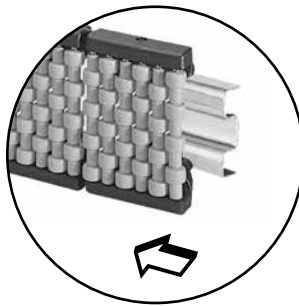


Material: Polyamide straps, white acetal rollers and pins, nickel plated brass spacers, stainless steel screws.

| Part Number | Type | Length (inches) |
|-------------|---------|-----------------|
| 16800K | beads | 13.72 |
| 16805K | rollers | 13.72 |

Flexible Roller Assembly with Stainless Steel Support

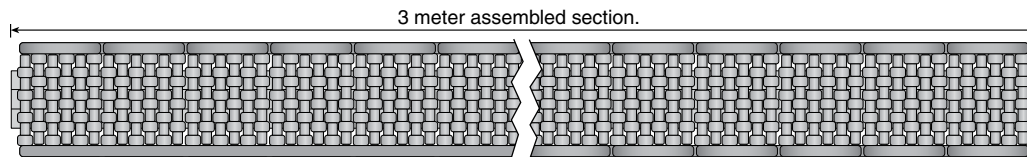
These low noise, long life, bead guides offer quick installation and smooth operation. They are designed for boxes and containers (glass and plastic bottles, tin and strong aluminum cans). Excellent for accumulation areas. Can be cut to length.



Minimum radius for a curved section is 10 in. (beads outside) and 12 in. (beads inside).

Material: Stainless steel channel, polyamide straps, white acetal rollers and pins, nickel plated brass spacers, stainless steel screws.

| Part Number | Type | Length |
|-------------|---------|--------------|
| 16825K | beads | 3M (~10 ft.) |
| 16826K | rollers | 3M (~10 ft.) |

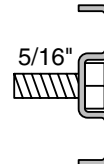
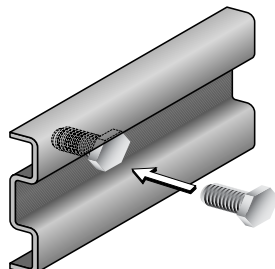
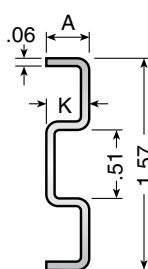


190

M-Profile

Stainless steel support for roller modules. See page 221 for compatible bender rollers.

- Inexpensive
- Corrosion resistant
- On-site bendable



Can be mounted by drilling a hole through the steel support. Use a 5/16" hex head to fasten.

Material: 304 stainless steel.

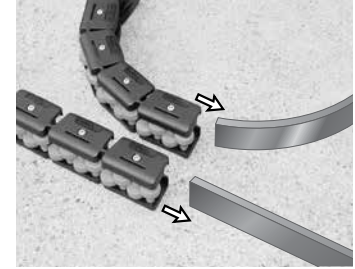
| Part Number | A | K | Length |
|-------------|-----|-----|--------------|
| 19077 | .23 | .39 | 3M (~10 ft.) |
| 190265 | .31 | .31 | 3M (~10 ft.) |
| 19079 | .39 | .39 | 3M (~10 ft.) |



16500 series

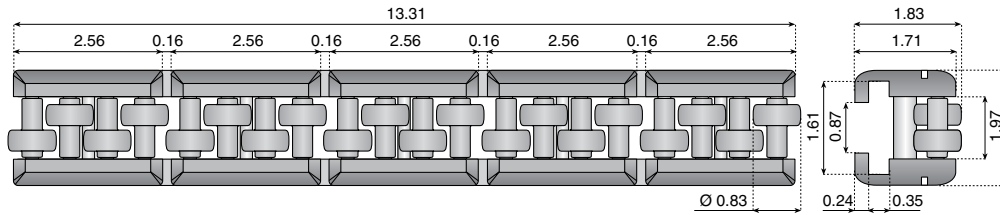
Heavy Duty, Single, Flexible Roller Module

These low noise, long life, bead guides offer quick installation and smooth operation. They are designed for rugged boxes and containers. Excellent for accumulation areas.



Modules slide onto 40mm x 8 mm flat bars or the "M" profile below. Minimum radius for a curved section is 10 in. (beads outside) and 12 in. (beads inside).

Combine these single modules together to fit custom lengths!



Material: Polyamide straps, acetal rollers and pins, nickel plated brass spacers, stainless steel screws.

| Part Number | Length (inches) |
|-------------|-----------------|
| 16500 | 13.31 |

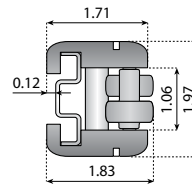
Bead and Roller Guides

Heavy Duty, Flexible Roller Assembly with Stainless Steel Support

These low noise, long life, bead guides offer quick installation and smooth operation. They are designed for rugged boxes and containers. Excellent for accumulation areas. Can be cut to length.

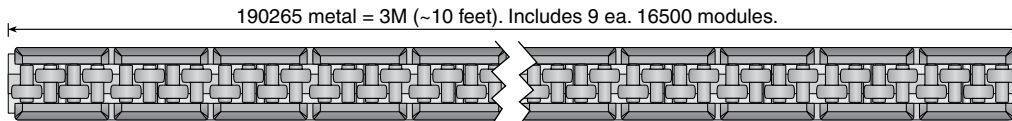


3 meter assembled section!



Minimum radius for a curved section is 10 in. (beads outside) and 12 in. (beads inside).

Material: Stainless steel channel. Polyamide straps, acetal rollers and pins, nickel plated brass spacers, stainless steel screws.



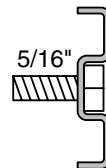
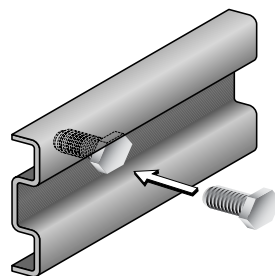
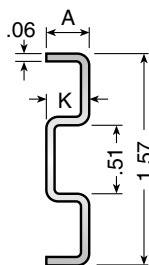
| Part Number | Length (feet) |
|-------------|---------------|
| 16550 | 3M (~10 ft.) |

190

M-Profile

Stainless steel support for roller modules. See page 221 for compatible bender rollers.

- Inexpensive
- Corrosion resistant
- On-site bendable



Can be mounted by drilling a hole through the steel support. Use a 5/16" hex head to fasten.

Material: 304 stainless steel.

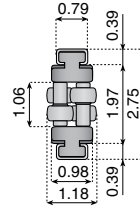
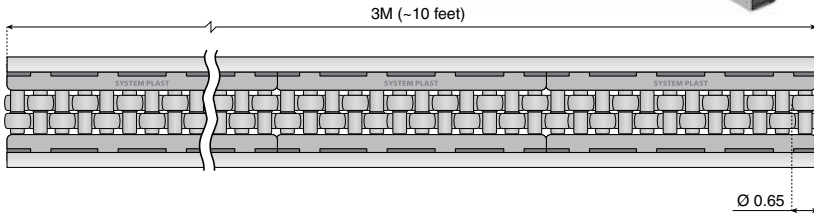
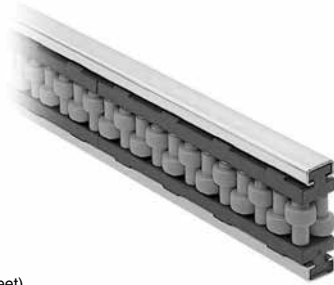
| Part Number | A | K | Length |
|-------------|-----|-----|--------------|
| 19077 | .23 | .39 | 3M (~10 ft.) |
| 190265 | .31 | .31 | 3M (~10 ft.) |
| 19079 | .39 | .39 | 3M (~10 ft.) |



16152

Lane Divider

These low noise, long life, lane dividers offer quick installation and smooth operation. They are designed for rugged boxes and containers. Excellent for accumulation areas.

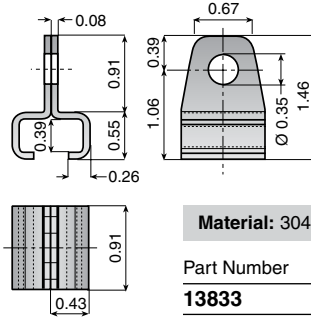


Material: Stainless steel channels. Polyamide straps, acetal rollers and pins, nickel plated brass spacers, stainless steel screws.

| Part Number | Length (feet) |
|--------------|---------------------|
| 16152 | 3M (~10 ft.) |

13833

Roller Module Clamp
Stainless steel clamp for roller modules.

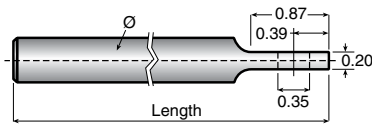


Material: 304 stainless steel.

| Part Number |
|--------------|
| 13833 |

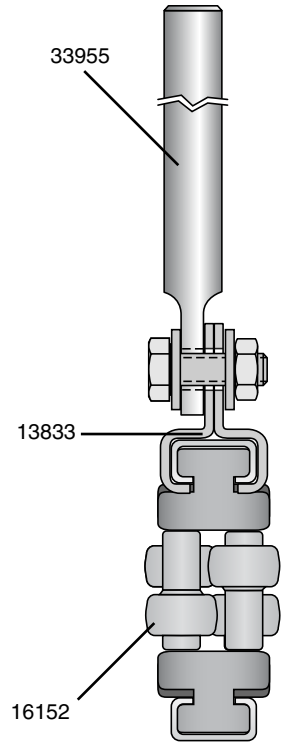
33955

Adjusting Rod



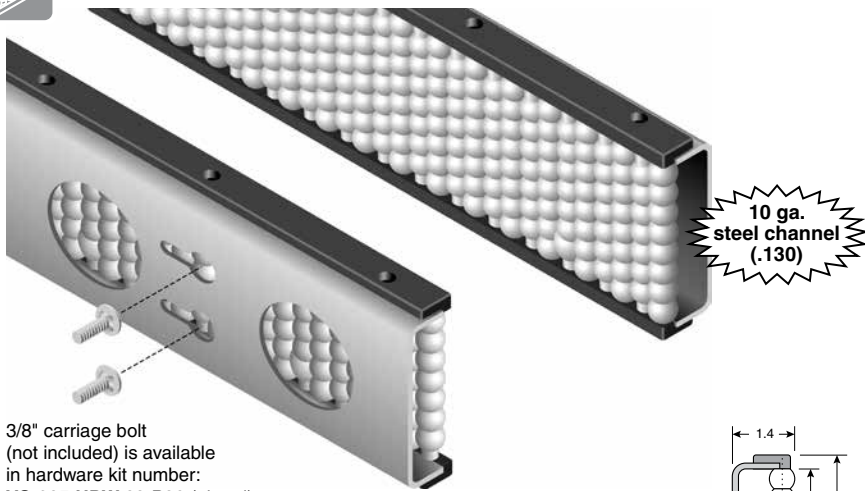
Material: 303 stainless steel.

| Part Number | Length (in.) | Ø (in.) |
|--------------|--------------|------------|
| 33955 | 7 | 1/2 |



Bead and Roller Guides

684 BeadWall



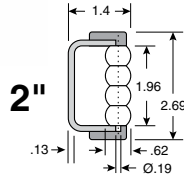
684

BeadWall

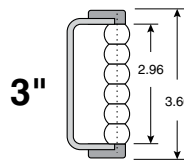
Low friction guiding surface with high density bead pattern. Excellent for combiner or accumulation areas. Operating temperature range: -4°F to +170°F.

Material: 10 ga. steel channel, polyamide pin rails, stainless steel pins, acetal beads.

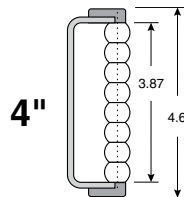
| Stainless Channel | Plated Channel | Length (ft.) | Height (in.) |
|-------------------|----------------|--------------|--------------|
| VG-684-SS-2-02 | VG-684-PL-2-02 | 2 | 2 |
| VG-684-SS-2-03 | VG-684-PL-2-03 | 3 | 2 |
| VG-684-SS-2-04 | VG-684-PL-2-04 | 4 | 2 |
| VG-684-SS-2-05 | VG-684-PL-2-05 | 5 | 2 |
| VG-684-SS-2-06 | VG-684-PL-2-06 | 6 | 2 |
| VG-684-SS-2-07 | VG-684-PL-2-07 | 7 | 2 |
| VG-684-SS-2-08 | VG-684-PL-2-08 | 8 | 2 |
| VG-684-SS-2-10 | VG-684-PL-2-10 | 10 | 2 |



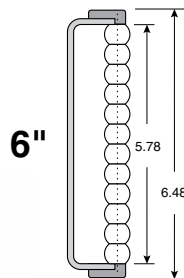
| | | | |
|----------------|----------------|----|---|
| VG-684-SS-3-02 | VG-684-PL-3-02 | 2 | 3 |
| VG-684-SS-3-03 | VG-684-PL-3-03 | 3 | 3 |
| VG-684-SS-3-04 | VG-684-PL-3-04 | 4 | 3 |
| VG-684-SS-3-05 | VG-684-PL-3-05 | 5 | 3 |
| VG-684-SS-3-06 | VG-684-PL-3-06 | 6 | 3 |
| VG-684-SS-3-07 | VG-684-PL-3-07 | 7 | 3 |
| VG-684-SS-3-08 | VG-684-PL-3-08 | 8 | 3 |
| VG-684-SS-3-10 | VG-684-PL-3-10 | 10 | 3 |



| | | | |
|----------------|----------------|----|---|
| VG-684-SS-4-02 | VG-684-PL-4-02 | 2 | 4 |
| VG-684-SS-4-03 | VG-684-PL-4-03 | 3 | 4 |
| VG-684-SS-4-04 | VG-684-PL-4-04 | 4 | 4 |
| VG-684-SS-4-05 | VG-684-PL-4-05 | 5 | 4 |
| VG-684-SS-4-06 | VG-684-PL-4-06 | 6 | 4 |
| VG-684-SS-4-07 | VG-684-PL-4-07 | 7 | 4 |
| VG-684-SS-4-08 | VG-684-PL-4-08 | 8 | 4 |
| VG-684-SS-4-10 | VG-684-PL-4-10 | 10 | 4 |



| | | | |
|----------------|----------------|----|---|
| VG-684-SS-6-02 | VG-684-PL-6-02 | 2 | 6 |
| VG-684-SS-6-03 | VG-684-PL-6-03 | 3 | 6 |
| VG-684-SS-6-04 | VG-684-PL-6-04 | 4 | 6 |
| VG-684-SS-6-05 | VG-684-PL-6-05 | 5 | 6 |
| VG-684-SS-6-06 | VG-684-PL-6-06 | 6 | 6 |
| VG-684-SS-6-07 | VG-684-PL-6-07 | 7 | 6 |
| VG-684-SS-6-08 | VG-684-PL-6-08 | 8 | 6 |
| VG-684-SS-6-10 | VG-684-PL-6-10 | 10 | 6 |



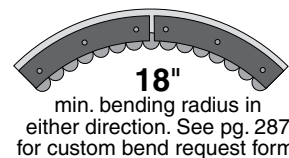
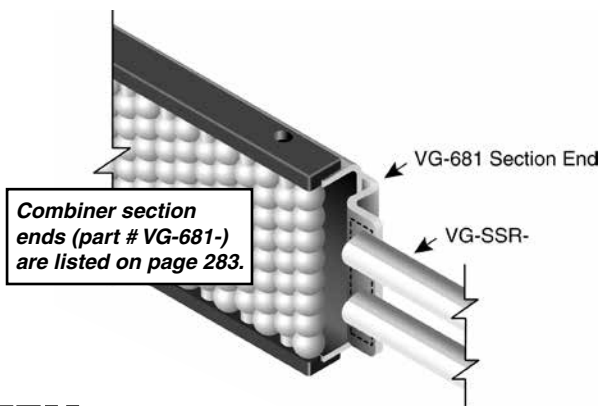
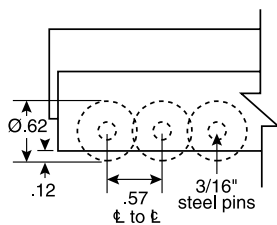
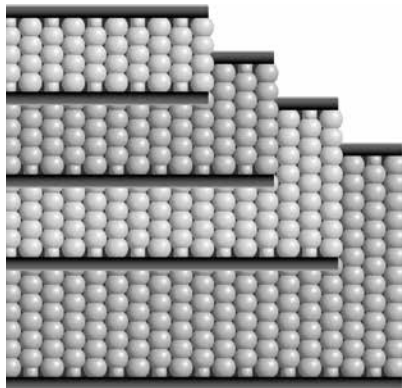
Bead and Roller Guides

VG-684-SS-2
VG-684-PL-2

VG-684-SS-3
VG-684-PL-3

VG-684-SS-4
VG-684-PL-4

VG-684-SS-6
VG-684-PL-6



SYSTEM PLAST™

©2015 Regal-Beloit Corporation, All Rights Reserved.

685 Heavy Duty BeadWall

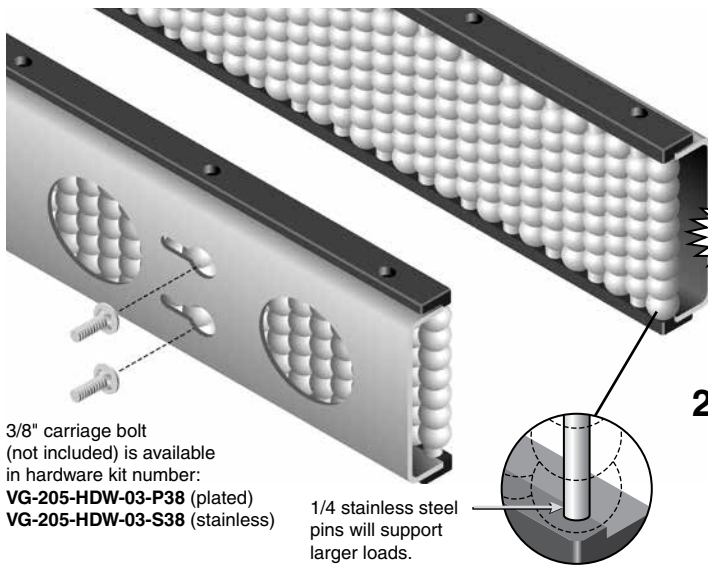


685

Heavy Duty BeadWall

Low friction guiding surface with high density bead pattern. Larger bead on larger pins accommodate larger load capacities. Excellent for combiner or accumulation areas. Operating temperature range: -4°F to +170°F.

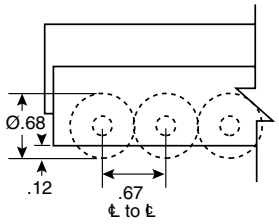
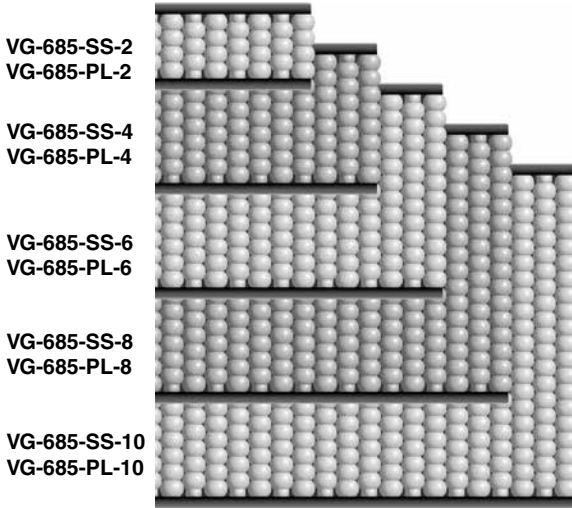
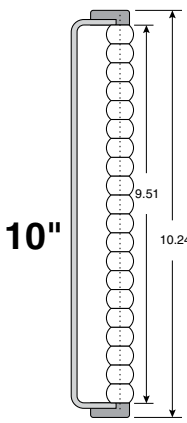
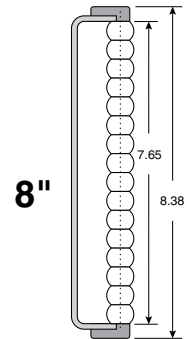
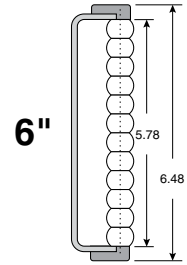
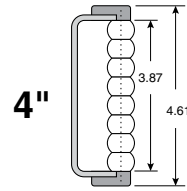
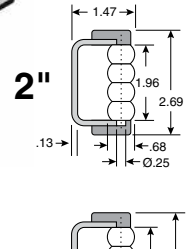
Material: 10 ga. steel channel, polyamide pin rails, stainless steel pins, acetal beads.



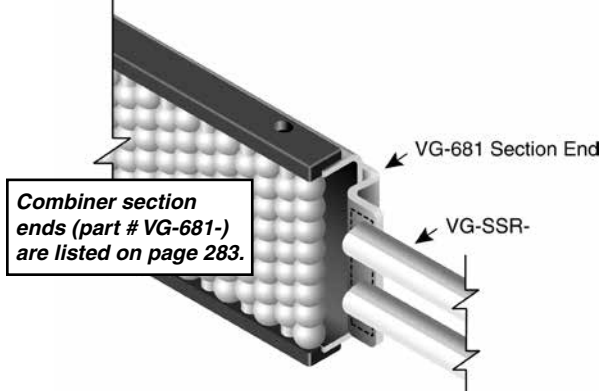
3/8" carriage bolt (not included) is available in hardware kit number:
VG-205-HDW-03-P38 (plated)
VG-205-HDW-03-S38 (stainless)

1/4 stainless steel pins will support larger loads.

10 ga. steel channel (.130)



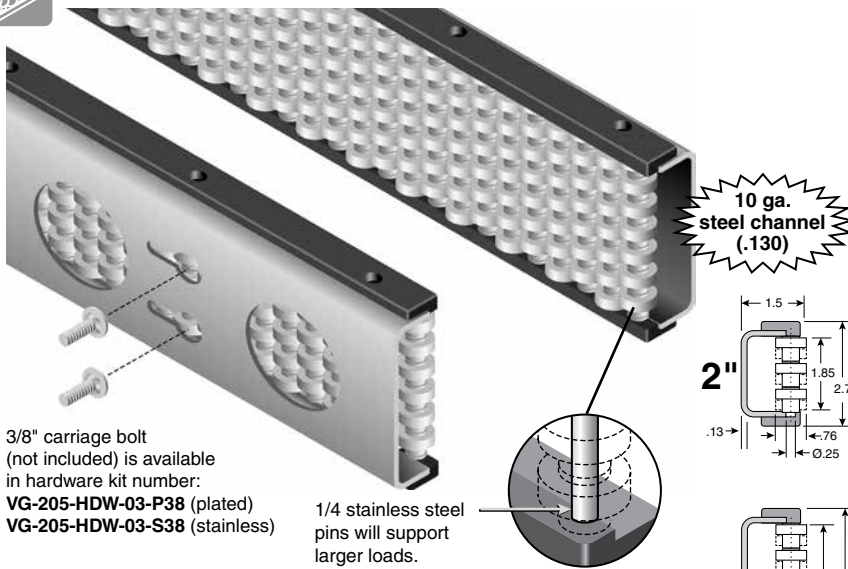
18"
 min. bending radius in either direction. See pg. 287 for custom bend request form.



| Stainless Channel | Plated Channel | Length (ft.) | Height (in.) |
|-------------------|-----------------|--------------|--------------|
| VG-685-SS-2-02 | VG-685-PL-2-02 | 2 | 2 |
| VG-685-SS-2-03 | VG-685-PL-2-03 | 3 | 2 |
| VG-685-SS-2-04 | VG-685-PL-2-04 | 4 | 2 |
| VG-685-SS-2-05 | VG-685-PL-2-05 | 5 | 2 |
| VG-685-SS-2-06 | - | 6 | 2 |
| VG-685-SS-2-07 | VG-685-PL-2-07 | 7 | 2 |
| VG-685-SS-2-08 | VG-685-PL-2-08 | 8 | 2 |
| VG-685-SS-2-10 | VG-685-PL-2-10 | 10 | 2 |
| VG-685-SS-4-02 | VG-685-PL-4-02 | 2 | 4 |
| VG-685-SS-4-03 | VG-685-PL-4-03 | 3 | 4 |
| VG-685-SS-4-04 | VG-685-PL-4-04 | 4 | 4 |
| VG-685-SS-4-05 | VG-685-PL-4-05 | 5 | 4 |
| VG-685-SS-4-06 | VG-685-PL-4-06 | 6 | 4 |
| VG-685-SS-4-07 | VG-685-PL-4-07 | 7 | 4 |
| VG-685-SS-4-08 | VG-685-PL-4-08 | 8 | 4 |
| VG-685-SS-4-10 | VG-685-PL-4-10 | 10 | 4 |
| VG-685-SS-6-02 | VG-685-PL-6-02 | 2 | 6 |
| VG-685-SS-6-03 | VG-685-PL-6-03 | 3 | 6 |
| VG-685-SS-6-04 | VG-685-PL-6-04 | 4 | 6 |
| VG-685-SS-6-05 | VG-685-PL-6-05 | 5 | 6 |
| VG-685-SS-6-06 | VG-685-PL-6-06 | 6 | 6 |
| VG-685-SS-6-07 | VG-685-PL-6-07 | 7 | 6 |
| VG-685-SS-6-08 | VG-685-PL-6-08 | 8 | 6 |
| VG-685-SS-6-10 | VG-685-PL-6-10 | 10 | 6 |
| VG-685-SS-8-02 | VG-685-PL-8-02 | 2 | 8 |
| VG-685-SS-8-03 | VG-685-PL-8-03 | 3 | 8 |
| VG-685-SS-8-04 | VG-685-PL-8-04 | 4 | 8 |
| VG-685-SS-8-05 | VG-685-PL-8-05 | 5 | 8 |
| VG-685-SS-8-07 | VG-685-PL-8-07 | 7 | 8 |
| VG-685-SS-8-08 | - | 8 | 8 |
| VG-685-SS-8-10 | VG-685-PL-8-10 | 10 | 8 |
| VG-685-SS-10-02 | VG-685-PL-10-02 | 2 | 10 |
| VG-685-SS-10-03 | VG-685-PL-10-03 | 3 | 10 |
| VG-685-SS-10-04 | VG-685-PL-10-04 | 4 | 10 |
| VG-685-SS-10-05 | VG-685-PL-10-05 | 5 | 10 |
| VG-685-SS-10-06 | VG-685-PL-10-06 | 6 | 10 |
| VG-685-SS-10-08 | VG-685-PL-10-08 | 8 | 10 |
| VG-685-SS-10-10 | VG-685-PL-10-10 | 10 | 10 |

Bead and Roller Guides

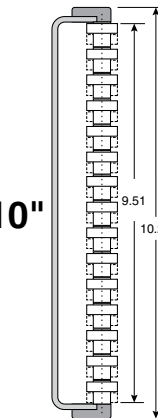
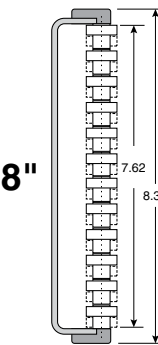
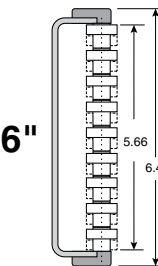
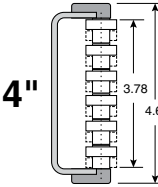
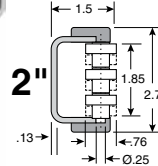
682 Roller Combiner



3/8" carriage bolt (not included) is available in hardware kit number:
 VG-205-HDW-03-P38 (plated)
 VG-205-HDW-03-S38 (stainless)

1/4 stainless steel pins will support larger loads.

10 ga. steel channel (.130)



682

Roller Combiner

Low friction guiding surface. Excellent for combiner or accumulation areas.
 Operating temperature range: -4°F to +170°F.

Material: 10 ga. steel channel, polyamide pin rails, stainless steel pins, acetal rollers.

| Stainless Channel | Plated Channel | Length (ft.) | Height (in.) |
|-------------------|-----------------|--------------|--------------|
| VG-682-SS-2-2 | VG-682-PL-2-2 | 2 | 2 |
| VG-682-SS-2-3 | VG-682-PL-2-3 | 3 | 2 |
| VG-682-SS-2-4 | VG-682-PL-2-4 | 4 | 2 |
| VG-682-SS-2-5 | VG-682-PL-2-5 | 5 | 2 |
| VG-682-SS-2-6 | VG-682-PL-2-6 | 6 | 2 |
| VG-682-SS-2-7 | VG-682-PL-2-7 | 7 | 2 |
| VG-682-SS-2-8 | VG-682-PL-2-8 | 8 | 2 |
| VG-682-SS-2-10 | VG-682-PL-2-10 | 10 | 2 |
| | | | |
| VG-682-SS-4-2 | VG-682-PL-4-2 | 2 | 4 |
| VG-682-SS-4-3 | VG-682-PL-4-3 | 3 | 4 |
| VG-682-SS-4-4 | VG-682-PL-4-4 | 4 | 4 |
| VG-682-SS-4-5 | VG-682-PL-4-5 | 5 | 4 |
| VG-682-SS-4-6 | VG-682-PL-4-6 | 6 | 4 |
| VG-682-SS-4-7 | VG-682-PL-4-7 | 7 | 4 |
| VG-682-SS-4-8 | VG-682-PL-4-8 | 8 | 4 |
| VG-682-SS-4-10 | VG-682-PL-4-10 | 10 | 4 |
| | | | |
| VG-682-SS-6-2 | VG-682-PL-6-2 | 2 | 6 |
| VG-682-SS-6-3 | VG-682-PL-6-3 | 3 | 6 |
| VG-682-SS-6-4 | VG-682-PL-6-4 | 4 | 6 |
| VG-682-SS-6-5 | VG-682-PL-6-5 | 5 | 6 |
| VG-682-SS-6-6 | VG-682-PL-6-6 | 6 | 6 |
| VG-682-SS-6-7 | VG-682-PL-6-7 | 7 | 6 |
| VG-682-SS-6-8 | VG-682-PL-6-8 | 8 | 6 |
| VG-682-SS-6-10 | VG-682-PL-6-10 | 10 | 6 |
| | | | |
| VG-682-SS-8-2 | VG-682-PL-8-2 | 2 | 8 |
| VG-682-SS-8-4 | VG-682-PL-8-4 | 4 | 8 |
| VG-682-SS-8-5 | VG-682-PL-8-5 | 5 | 8 |
| VG-682-SS-8-6 | VG-682-PL-8-6 | 6 | 8 |
| VG-682-SS-8-7 | - | 7 | 8 |
| VG-682-SS-8-8 | VG-682-PL-8-8 | 8 | 8 |
| VG-682-SS-8-10 | VG-682-PL-8-10 | 10 | 8 |
| | | | |
| VG-682-SS-10-2 | VG-682-PL-10-2 | 2 | 10 |
| VG-682-SS-10-3 | - | 3 | 10 |
| VG-682-SS-10-4 | - | 4 | 10 |
| VG-682-SS-10-5 | VG-682-PL-10-5 | 5 | 10 |
| VG-682-SS-10-6 | VG-682-PL-10-6 | 6 | 10 |
| VG-682-SS-10-7 | VG-682-PL-10-7 | 7 | 10 |
| VG-682-SS-10-8 | VG-682-PL-10-8 | 8 | 10 |
| VG-682-SS-10-10 | VG-682-PL-10-10 | 10 | 10 |

Bead and Roller Guides

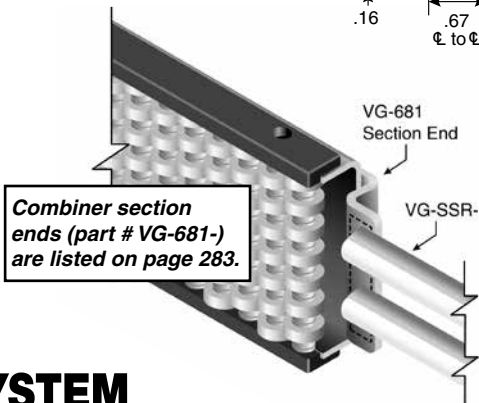
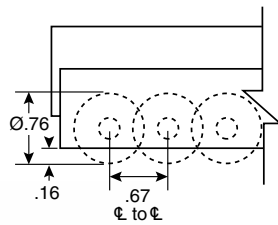
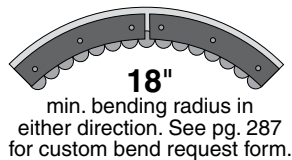
VG-682-SS-2
 VG-682-PL-2

VG-682-SS-4
 VG-682-PL-4

VG-682-SS-6
 VG-682-PL-6

VG-682-SS-8
 VG-682-PL-8

VG-682-SS-10
 VG-682-PL-10



Combiner section ends (part # VG-681-) are listed on page 283.



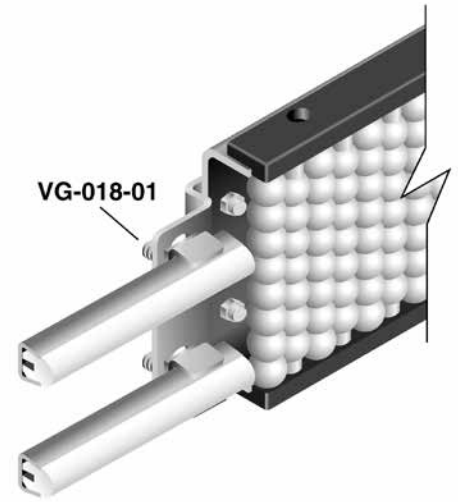
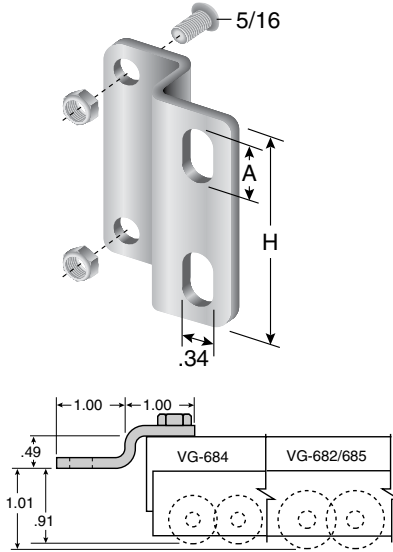
681

Combiner Section Ends

Sold as pairs. Section Ends are bolted to the BeadWall or Roller Combiner frame. Fastening holes must be drilled on-site for assembly.

Material: 10 ga. stainless steel.

| Part Number | Height (H) | Slot (A) | No. of Slots |
|-------------|------------|----------|--------------|
| VG-681-2 | 1.75 | 1.25 | 1 |
| VG-681-3 | 2.75 | .75 | 2 |
| VG-681-4 | 3.75 | 1 | 2 |
| VG-681-6 | 5.38 | 1.25 | 2 |



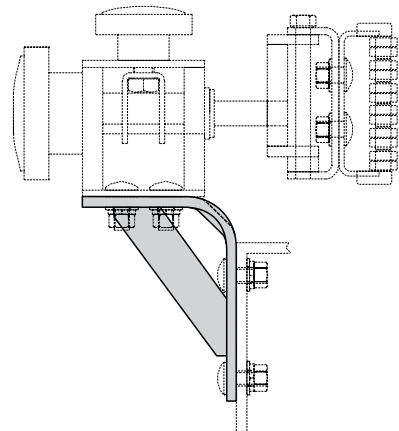
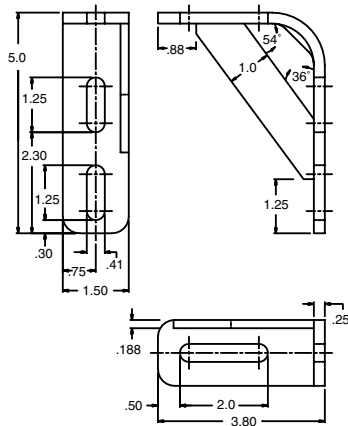
205-G

Braced Angle Bracket

Heavy duty base for VG-262 combiner bracket. 1/4" thick stainless steel. Built-in angled brace for maximum support of heavy loads.

Material: 304 stainless steel.

Part Number
VG-205-G-14-S



Bead and
Roller Guides

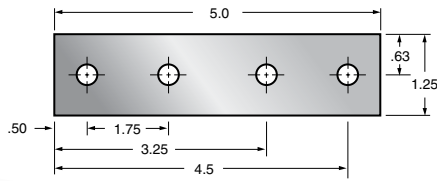


For Splicing...

117

BeadRail™ & SpeedRail™ Splice Kits

Used for joining two sections of aluminum channel BeadRail or SpeedRail.
Hardware included.



Material: Zinc plated steel.

| Part Number | Compatibility | Fastener |
|---------------|---------------------------------|--------------------|
| VG-117-50125 | 1-1/2" Alum. Bead Rail (pg 275) | carriage bolt |
| VG-117-H50125 | 3" Alum. Bead Rail (pg 275) | hex head bolt |
| VG-117-T50125 | Speed Rail (pg 269) | T-bolt (stainless) |

For Slot Covering...

687BSC

Material: Flexible PVC.

Bolt Slot Cover

Helps prevent build-up of unwanted materials in the channel bolt slot.

| Part Number | Length (ft.) |
|--------------|--------------|
| VG-687BSC-25 | 25 |
| VG-687BSC-50 | 50 |



For Corner Rod Attachment...

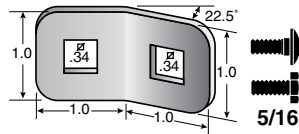
040

BeadRail™ & SpeedRail™ Corner Clip

Allows Valu Guide jointed adjusting rods to be installed with articulation on the same plane as BeadRail, SpeedRail, or standard adjusting rods to be installed parallel.

Material: Stainless steel.

Part Number
VG-040-01



VG-212 or VG-232 Stainless Steel Rods

For Lane Dividers...

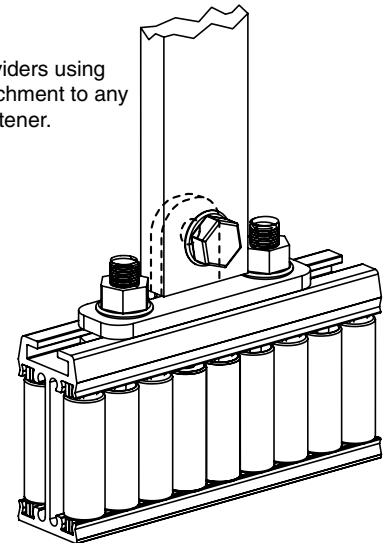
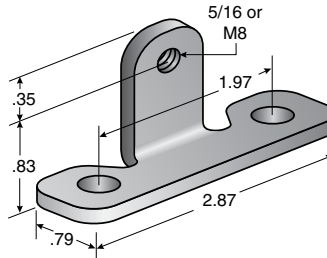
687LDB

Lane Divider Bracket

Mounts to 687 series or 688 series lane dividers using provided T-Head bolts. Allows for easy attachment to any lane divider support using a 5/16 or M8 fastener.

Material: Stainless steel.

Part Number
VG-687LDB-516
VG-687LDB-M8



For Steel Channels...

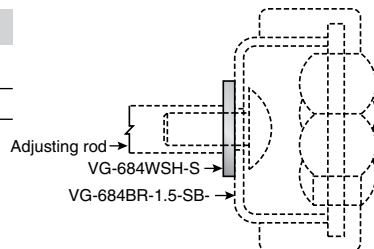
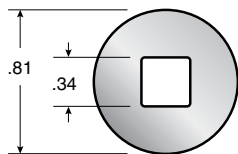
HW684

BeadRail™ Washer

Washer required for applications using a tapped adjusting rod.

Material: Stainless steel.

Part Number
HW684WSHS



For Fastening...

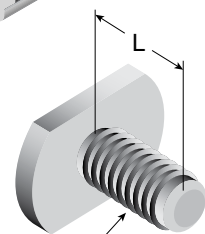
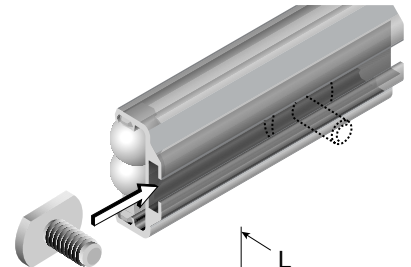
1568

T-head bolts

Included with the SpeedRail and SpeedRoll combiners.

Material: Stainless steel.

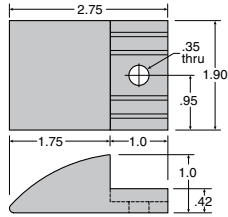
| Part Number | L |
|-------------|------|
| VG-1568-01 | .64 |
| VG-1568-02 | .76 |
| VG-1568-03 | 1.01 |
| VG-1568-04 | 1.26 |



5/16-18

Side Plows and Nose Plows

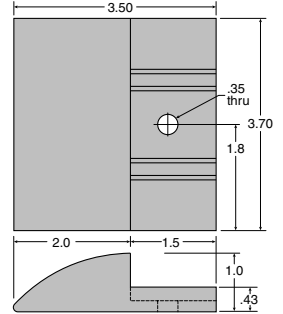
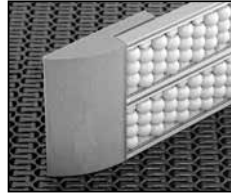
Side Plow for SpeedRail SB™ and SpeedRoll™



Part Number
VG-687SP-1.4

Material: Machined Nolu-S with stainless steel fastener.

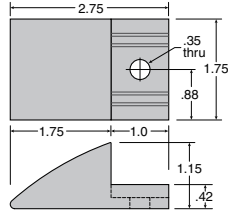
Side Plow for 2-Strand SpeedRail SB™ and SpeedRoll™



Part Number
VG-687SP-3.3

Material: Machined Nolu-S with stainless steel fastener.

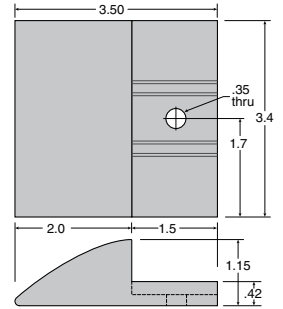
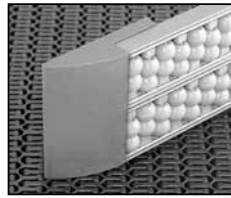
Side Plow for SpeedRail™



Part Number
VG-686SP-1.25

Material: Machined Nolu-S with stainless steel fastener.

Side Plow for 2-Strand SpeedRail™

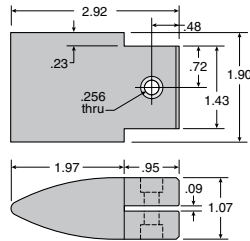


Part Number
VG-686SP-3.0

Material: Machined Nolu-S with stainless steel fastener.

Bead and Roller Guides

Nose Plow for SpeedRail SB™ and SpeedRoll™ lane divider



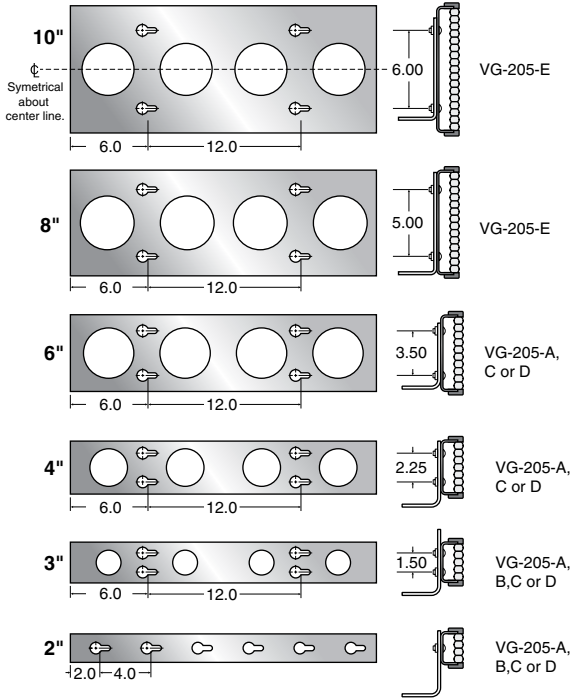
Part Number
VG-687NP-1.4

Material: Machined Nolu-S with stainless steel fastener.

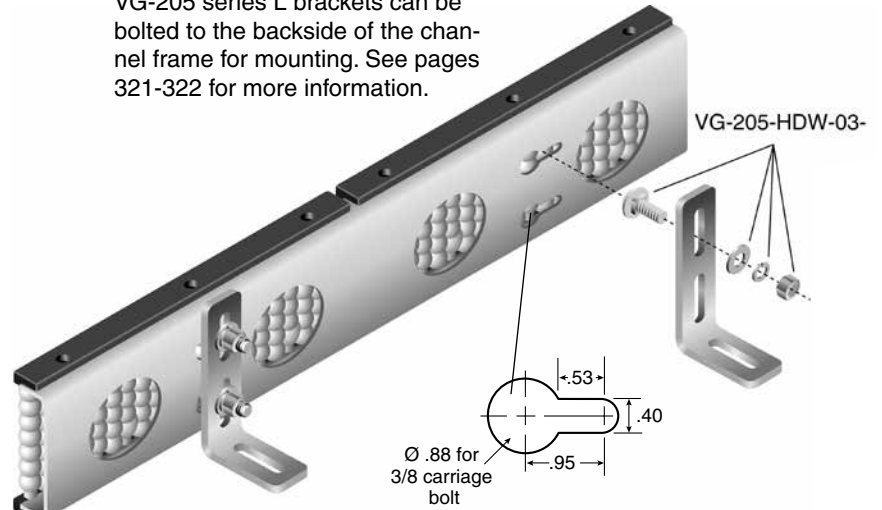


Technical Information for BeadWall, BeadRail, and Roller Combiner

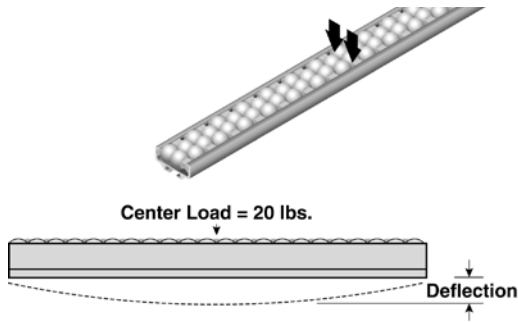
Combiner frame hole patterns and recommended VG-205 mounting brackets



VG-205 series L brackets can be bolted to the backside of the channel frame for mounting. See pages 321-322 for more information.

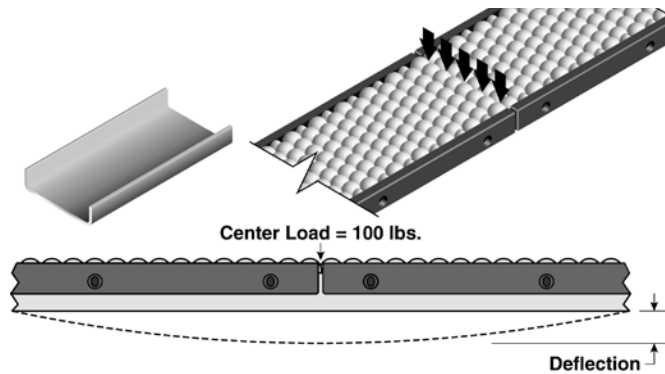


Bead and Roller Guides



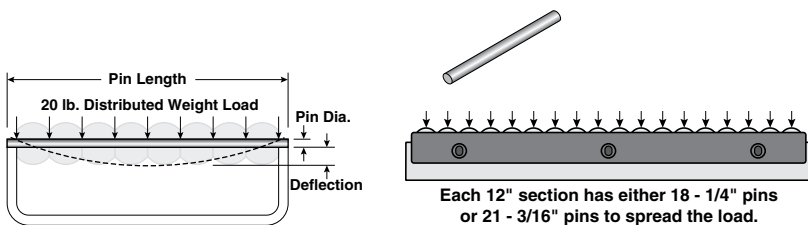
Aluminum Channel Bead Guides

| Part Number | Maximum Deflection | | Moment of Inertia |
|-----------------|--------------------|-----------|-------------------|
| | 24 Length | 36 Length | |
| VG-686A-1.25 | .007 | .024 | .020 |
| VG-686A-3.0 | .005 | .016 | .030 |
| VG-687-1.4 | .010 | .034 | .014 |
| VG-687-3.3 | .006 | .019 | .025 |
| VG-688-1.4 | .010 | .034 | .014 |
| VG-688-3.3 | .006 | .019 | .025 |
| VG-684BR-1.5-AB | .009 | .031 | .016 |
| VG-684BR-3-AB | .007 | .024 | .020 |



Steel Channel Bead Guides

| 10 gauge Channel Height | Maximum Deflection | | Moment of Inertia |
|-------------------------|--------------------|-----------|-------------------|
| | 24 Length | 36 Length | |
| 2 inches | .005 | .017 | .048 |
| 3 inches | .005 | .016 | .053 |
| 4 inches | .004 | .015 | .057 |
| 6 inches | .004 | .014 | .061 |
| 8 inches | .004 | .013 | .064 |
| 10 inches | .004 | .013 | .066 |



Single Metal Pins

| Pin Length in Inches | Maximum Pin Deflection | |
|----------------------|------------------------|----------|
| | 3/16 dia. | 1/4 dia. |
| 2 | .001 | 0 |
| 3 | .004 | n/a |
| 4 | .009 | .003 |
| 6 | .031 | .01 |
| 8 | n/a | .023 |
| 10 | n/a | .045 |

Custom Bead Guide Bending Request



System Plast will be pleased to quote on custom bending of our bead guides to your special requirements. This page may be copied and used to send us your specifications. For assistance, please contact System Plast customer service:

phone: 866-765-8744 fax: 866-447-6587

Person Requesting Custom Information _____
 Company Name _____
 Address _____
 City _____ State _____ Zip _____
 Phone () _____ Fax () _____

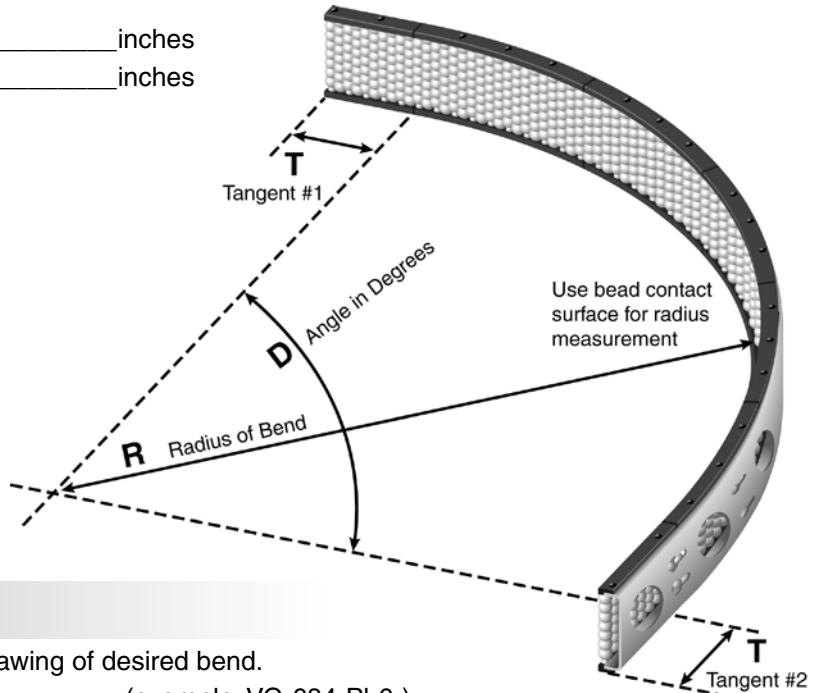
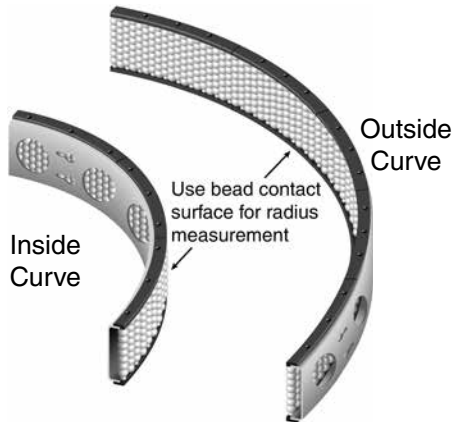
Single Bends

If available, please include a detailed drawing of desired bend.

BASE PART NUMBER: _____ (example: VG-684-PI-6-)
 RADIUS OF BEND (R): _____ inches
 ANGLE OF BEND (D): _____ degrees
 QUANTITY: _____ pieces
 TYPE OF BEND: Inside Curve Outside Curve

Our manufacturing process typically requires the inclusion of 3 to 6 inch tangents on each end of the curve. There is no additional cost for this. If specific tangents are required, please indicate below.

TANGENT LENGTH (T1): _____ inches
 TANGENT LENGTH (T2): _____ inches

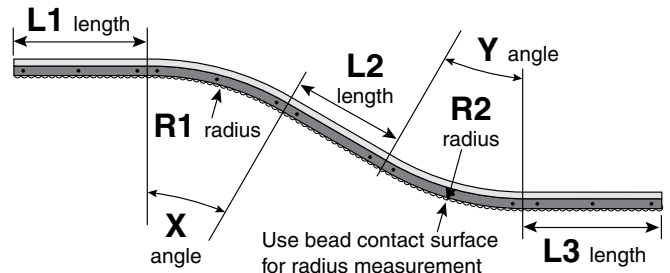


Bead and Roller Guides

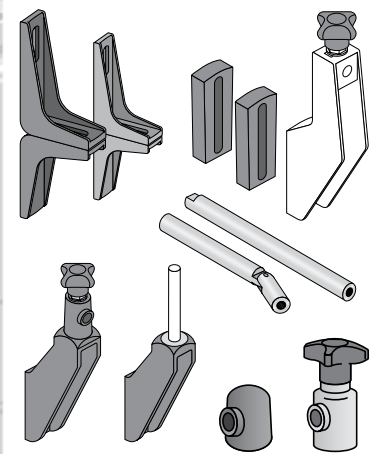
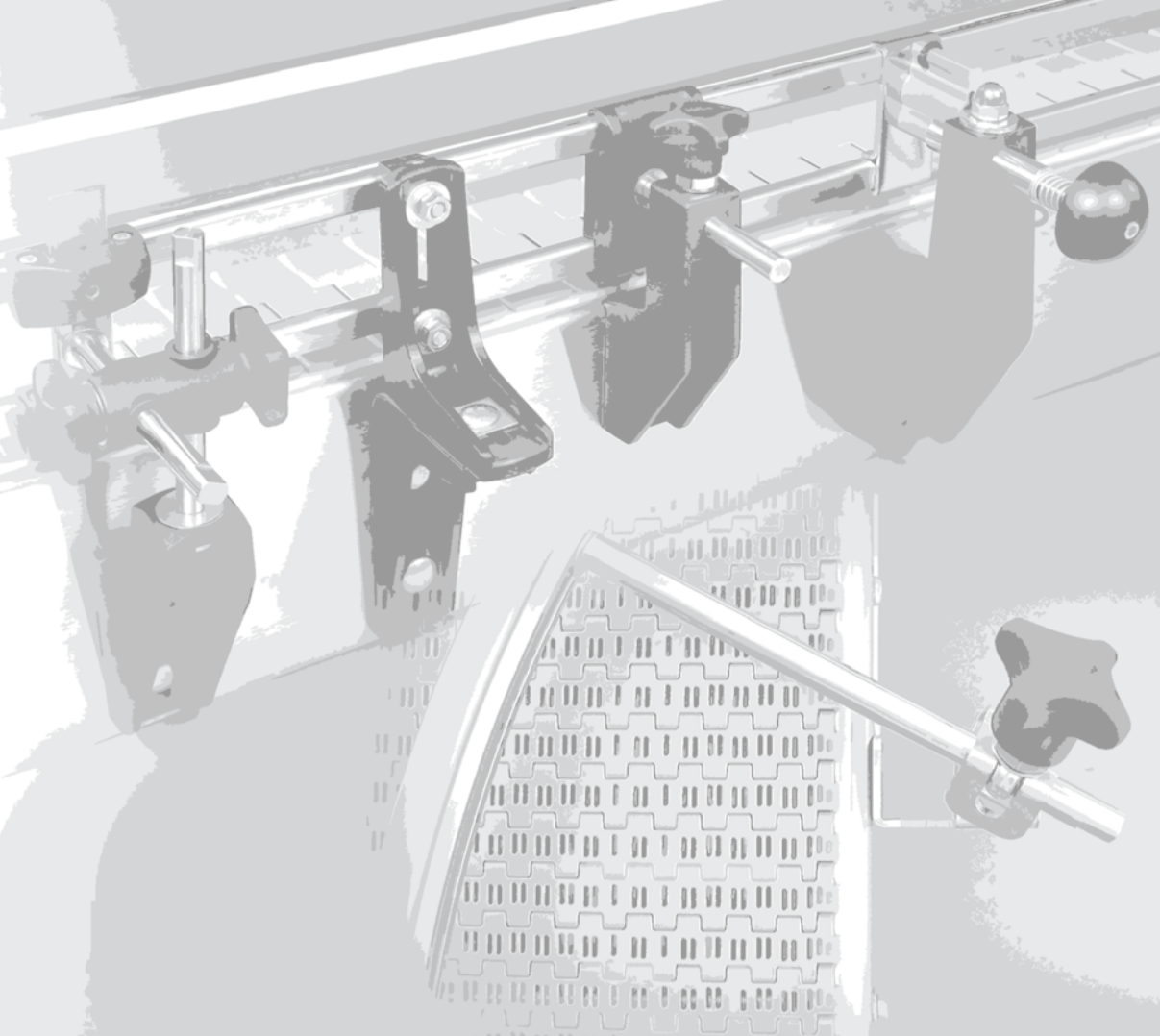
S-Curve Bends

If available, please include a detailed drawing of desired bend.

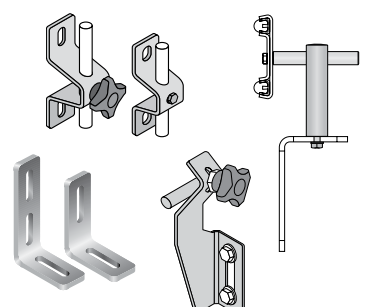
BASE PART NUMBER: _____ (example: VG-684-PI-6-)
 RADIUS OF BEND (R1): _____ inches
 RADIUS OF BEND (R2): _____ inches
 ANGLE OF BEND (X): _____ degrees
 ANGLE OF BEND (Y): _____ degrees
 LENGTH (L1): _____ inches
 LENGTH (L2): _____ inches
 LENGTH (L3): _____ inches



COMMENTS:



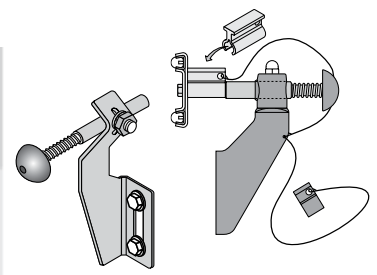
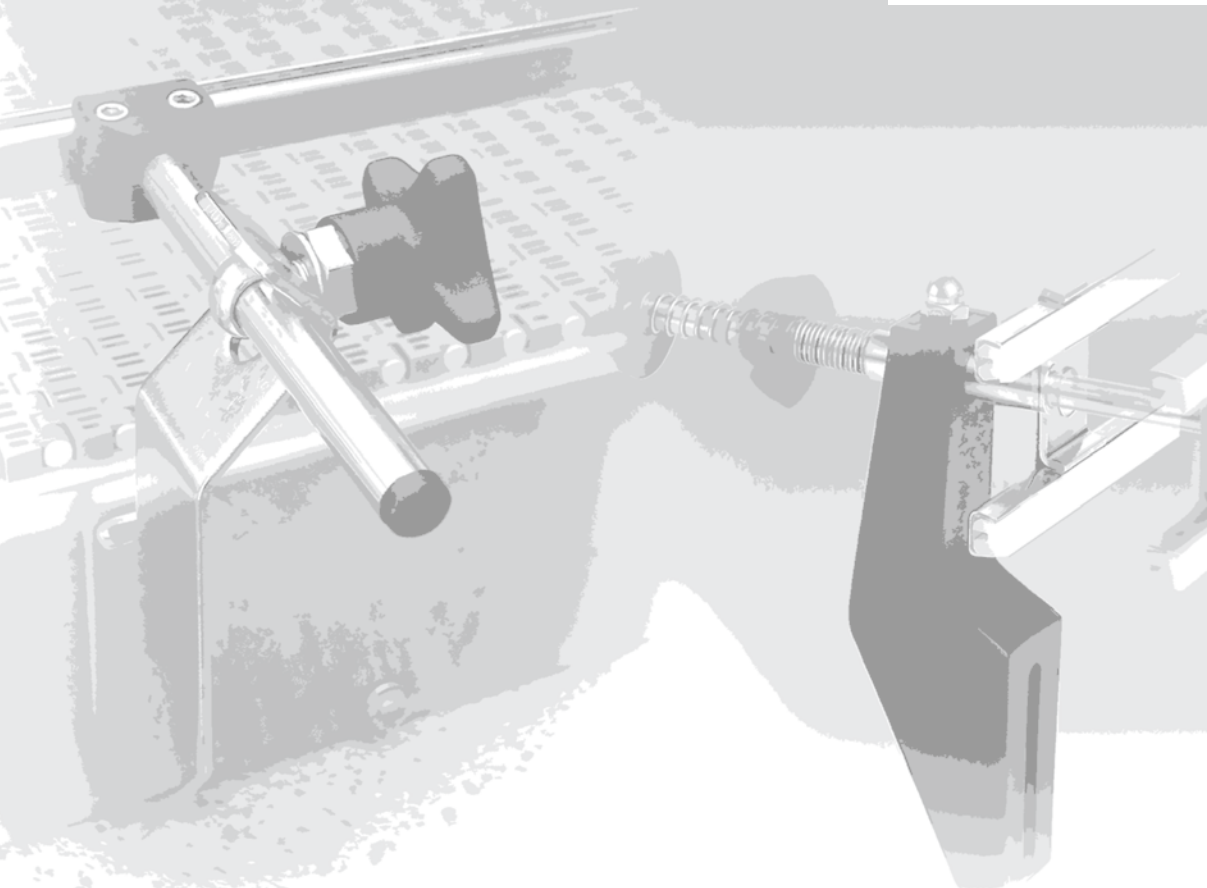
**Polyamide
Brackets Page 291**
 Standard duty Heavy duty
 Swivel caps Adjusting rods
 Angle brackets Knobs Spacers



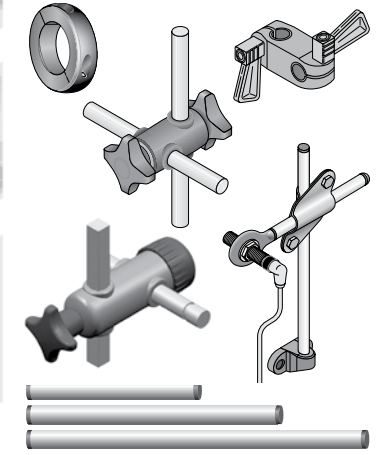
**Metal
Brackets Page 308**
 Side mount Post brackets
 Angle brackets Mounting bars

BRACKETS & POSITIONING COMPONENTS

Section 6



**SpeedSet Brackets
Page 298-303, 315-320**



Positioning Page 327
 Cross blocks Shaft collars
 Accessory mounts Support rods

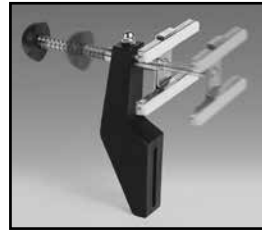
Valu Guide™ Brackets

The Ultimate in Adjustability and Cost Savings

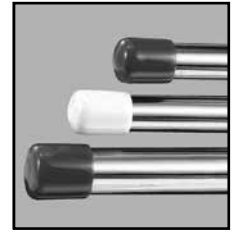
Valu Guide brackets are part of a family of products that work together to make guide rail adjusting easy. A variety of bracket styles and materials combined with accessories such as spacers, knobs, and adjusting rods are designed for maximum versatility. Every bracket has been designed to meet the needs of the demanding environments in which they are used. From a simple fixed metal bracket to our newest Speed-Set bracket, you will find a solution to meet your application and cost requirements.



L Brackets



SpeedSet™ Brackets



Adjusting Rods and Caps

Adjusting knobs eliminate the need for tools when repositioning guide rail.



Swivel caps are available in a variety of heights and materials for some bracket styles. Stacking rings can be used for additional height requirements.

All fittings and hardware are made from corrosion resistant materials. The eyelets provide excellent gripping strength on the adjusting rods without marring the rod which means longer, trouble free life.

A complete line of adjusting rods is available for all Valu Guide bracket styles.

The VG-210 bracket shown can also be configured with the adjusting knob on the side of the bracket body.

Some molded brackets come with a lip which allows for single bolt mounting and helps to square the bracket with the conveyor.

Spacers can be used to offset the bracket from the mounting location.

Valu Guide brackets are manufactured from engineered plastics designed to offer the optimum in strength and resistance to corrosion.

Mounting slots instead of holes allow for bracket adjustment after initial installation.



VG-210 shown see page 294.

Guide Rail Brackets



Guide Rail Brackets

Valu Guide brackets offer the ultimate in guide rail adjustability. Choose from bolt tightening assemblies or hand knob tightening assemblies that eliminate the need for tools. Use Valu Guide spacers, adapters, and stacking rings for even greater bracket versatility. Valu Guide also offers a full line of adjusting rods designed for use with each bracket.



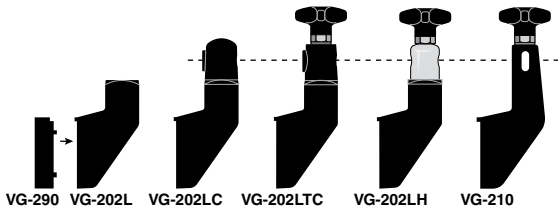
Quality products start with quality materials.

Polyamide

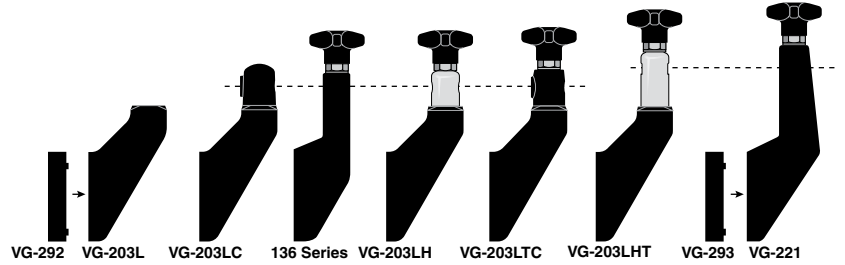
The characteristics of **polyamide (PA)** resin make it an excellent material choice for molded component parts that must stand up to demanding industrial applications. Valu Guide uses reinforced polyamide (nylon) to provide our customers with products that are dimensionally stable, have very high mechanical strength, high rigidity and toughness, resistance to heat deformation, and satisfactory chemical resistance. Continuous operating temperature range: -4°F to +190°F. Withstands intermittent temperatures up to 215°F.

Polypropylene

For applications that require even greater resistance to chemicals, selected Valu Guide parts are also available in reinforced **polypropylene (PP)**. Continuous operating temperature range: -40°F to +190°F. Withstands intermittent temperatures up to 215°.



Standard Duty

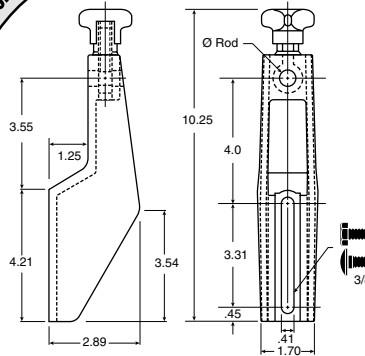
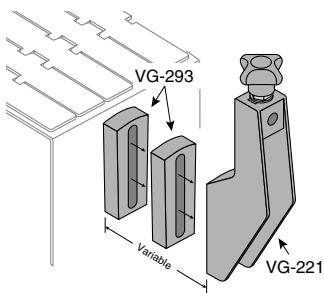


Heavy Duty

221

Heavy Duty Guide Rail Bracket

Longer slots allow mounting bolt centers up to 3 inches.



Material: Polyamide (PA) or polypropylene (PP) bracket body and knob. Nickel plated brass knob bushing. Stainless steel hardware.

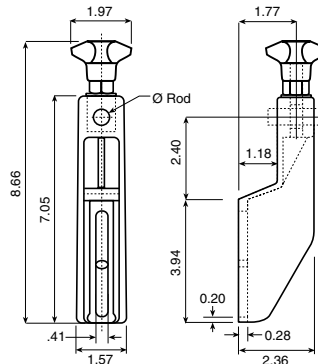
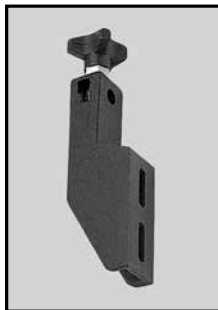
| Part Number | Ø Rod | Material |
|-------------|-------|----------|
| VG-221-12 | 1/2 | PA |
| VG-221-58 | 5/8 | PA |
| VG-221-34 | 3/4 | PA |
| VG-221PP-12 | 1/2 | PP |
| VG-221PP-58 | 5/8 | PP |
| VG-221PP-34 | 3/4 | PP |

Brackets & Positioning

136 series

Mid-Size Guide Rail Bracket

Sized for medium to large containers.



Material: Polyamide bracket body and knob. Nickel plated brass knob bushing. Stainless steel hardware.

| Part Number | Ø Rod |
|-------------|-------|
| 13641 | 1/2 |
| 13648 | 5/8 |

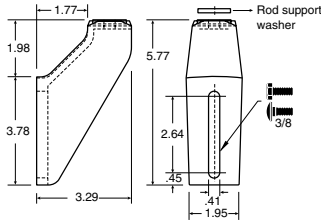
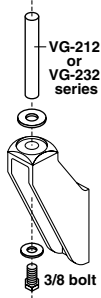
Guide Rail Brackets



203L

Bracket Body

For use with threaded adjusting rod and cross blocks where vertical and horizontal adjustment is needed.

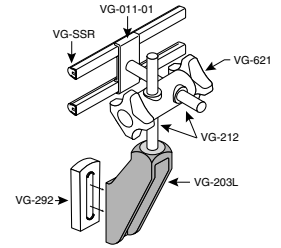


Rod not included.

Material: Polyamide bracket body.
Stainless steel washer.

Part Number

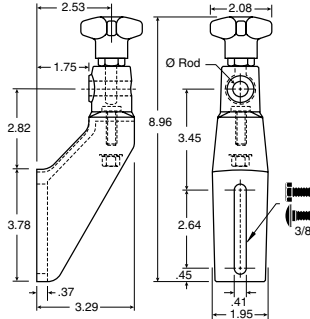
VG-203L



203LTC

Swivel Bracket

Support for guide rails where both horizontal and swivel adjustment is required.



Material: Polyamide bracket body, transition cap and knob. Stainless steel hardware.

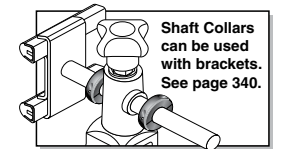
Part Number

Ø Rod

VG-203LTC-12 1/2

VG-203LTC-58 5/8

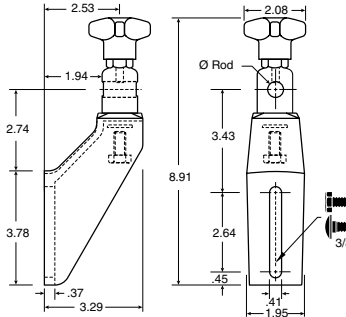
VG-203LTC-34 3/4



203LHS

Swivel Bracket

Support for guide rails where both horizontal and swivel adjustment is required.



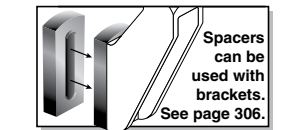
Material: Polyamide bracket body and knob. Stainless steel swivel cap and hardware.

Part Number

Ø Rod

VG-203LHS-12 1/2

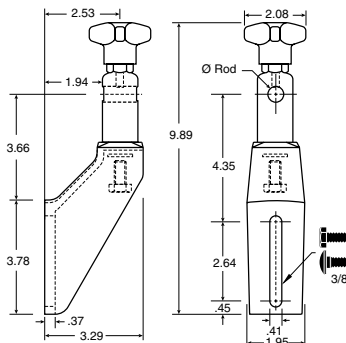
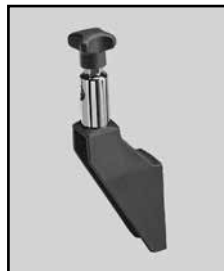
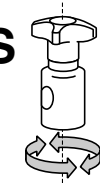
VG-203LHS-58 5/8



203LHTS

Swivel Bracket

Support for guide rails where both horizontal and swivel adjustment is required.



Material: Polyamide bracket body and knob. Stainless steel swivel cap and hardware.

Part Number

Ø Rod

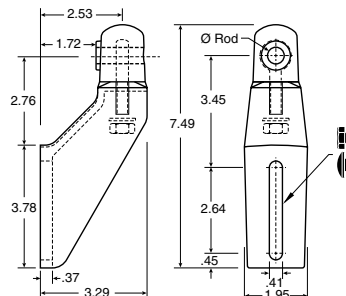
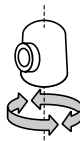
VG-203LHTS-12 1/2

VG-203LHTS-58 5/8

203LC

Swivel Bracket

Support for guide rails where both horizontal and swivel adjustment is required. VG-CTOP swivel cap only is on page 295.



Material: Polyamide bracket body, cap and knob. Stainless steel hardware.

Part Number

Ø Rod

VG-203LC-12 1/2

VG-203LC-58 5/8

SYSTEM PLAST™

©2015 Regal-Beloit Corporation, All Rights Reserved.

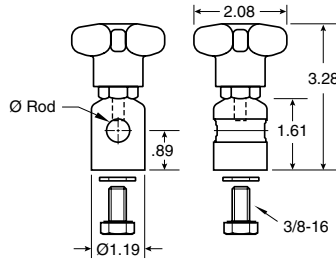
Brackets & Positioning



203HS

Swivel Cap Assembly

Support for guide rails where swivel adjustment is required. For use on VG-203L body.



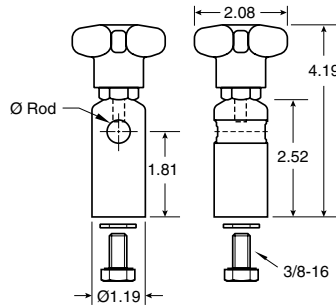
Material: Stainless steel cap and hardware. Polyamide knob.

| Part Number | Ø Rod |
|--------------------|------------|
| VG-203HS-12 | 1/2 |
| VG-203HS-58 | 5/8 |

203HTS

Swivel Cap Assembly

Support for guide rails where swivel adjustment is required. For use on VG-203L body.



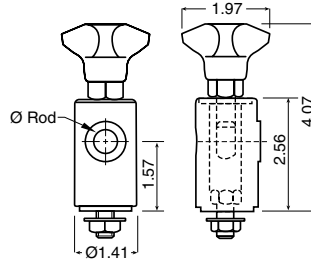
Material: Stainless steel cap and hardware. Polyamide knob.

| Part Number | Ø Rod |
|---------------------|------------|
| VG-203HTS-12 | 1/2 |
| VG-203HTS-58 | 5/8 |

1378

Swivel Cap Assembly

Support for guide rails where swivel adjustment is required.



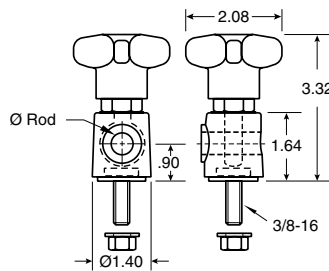
Material: Polyamide cap and knob. Stainless steel eyelet and nut.

| Part Number | Ø Rod |
|---------------|------------|
| 13781V | 1/2 |
| 13783V | 5/8 |

203TC

Transition Cap Assembly

Support for guide rails where swivel adjustment is required. For use on VG-203L body.



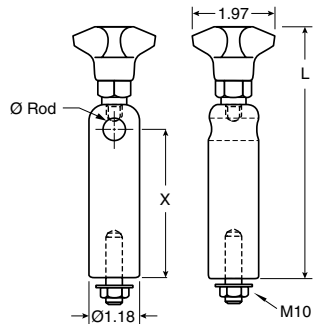
Material: Polyamide cap and knob. Stainless steel eyelet and nut.

| Part Number | Ø Rod |
|--------------------|------------|
| VG-203TC-12 | 1/2 |
| VG-203TC-58 | 5/8 |
| VG-203TC-34 | 3/4 |

13129V

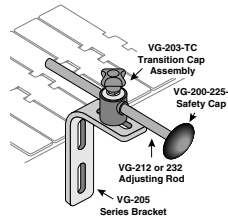
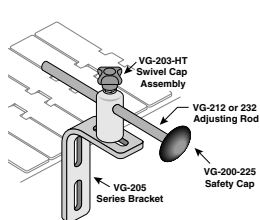
Swivel Cap Assembly

Support for guide rails where swivel adjustment is required.

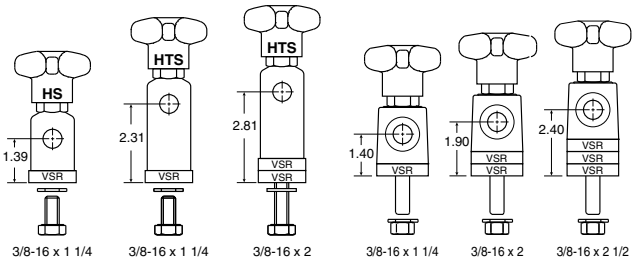


Material: Stainless steel cap and hardware. Polyamide knob.

| Part Number | X | L | Ø Rod |
|---------------|-------------|-------------|------------|
| 13130V | 5.12 | 5.71 | 1/2 |
| 13129V | 3.54 | 4.21 | 5/8 |



Note: When stacking rings are used, rod center line changes and a longer bolt is required.



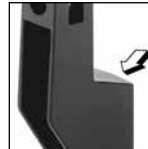
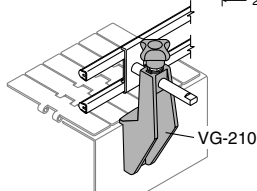
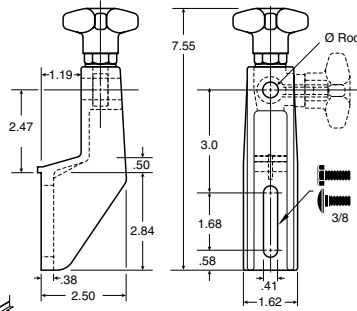
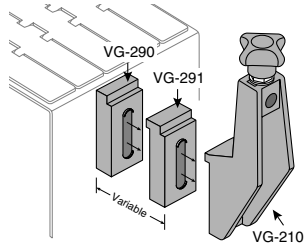
Brackets & Positioning

Guide Rail Brackets

210

Guide Rail Bracket

Guide rail support where lateral adjustment is needed.



Material: Polyamide (PA) or polypropylene (PP) bracket body and knob. Nickel plated brass knob bushing. Stainless steel hardware.

| Part Number | Ø Rod | Material |
|-------------|-------|----------|
| VG-210-12 | 1/2 | PA |
| VG-210-58 | 5/8 | PA |
| VG-210-34 | 3/4 | PA |
| VG-210PP-12 | 1/2 | PP |
| VG-210PP-58 | 5/8 | PP |
| VG-210PP-34 | 3/4 | PP |

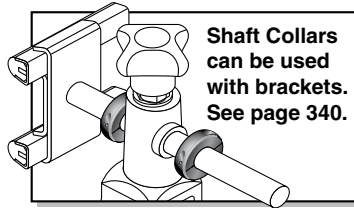
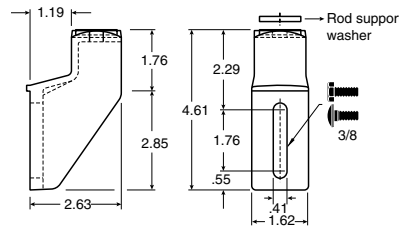
Brackets without positioning lip

| | | |
|--------------|-----|----|
| VG-210F-12 | 1/2 | PA |
| VG-210F-58 | 5/8 | PA |
| VG-210F-34 | 3/4 | PA |
| VG-210FPP-12 | 1/2 | PP |
| VG-210FPP-58 | 5/8 | PP |
| VG-210FPP-34 | 3/4 | PP |

202L

Bracket Body

For use with threaded adjusting rod and cross blocks where vertical and horizontal adjustment is needed.

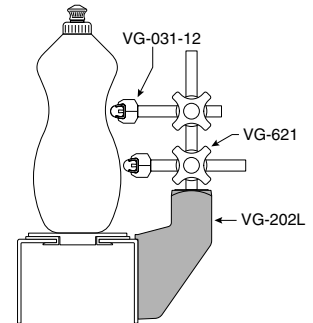


Shaft Collars can be used with brackets. See page 340.

Material: Polyamide bracket body. Stainless steel washer.

| Part Number | Without positioning lip |
|-------------|-------------------------|
| VG-202L | VG-202FL |

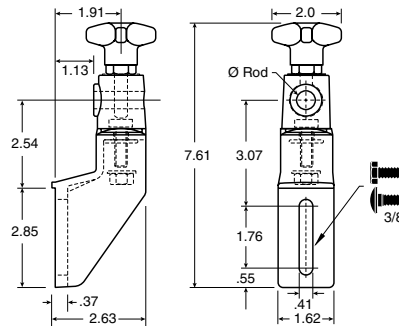
Rod not included.



202LTC

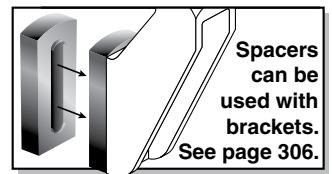
Swivel Bracket

Support for guide rails where both horizontal and swivel adjustment is required.



Material: Polyamide bracket body, transition cap and knob. Stainless steel hardware.

| Part Number | Ø Rod |
|---|-------|
| VG-202LTC-12 | 1/2 |
| <i>Brackets without positioning lip</i> | |
| VG-202FLTC-12 | 1/2 |

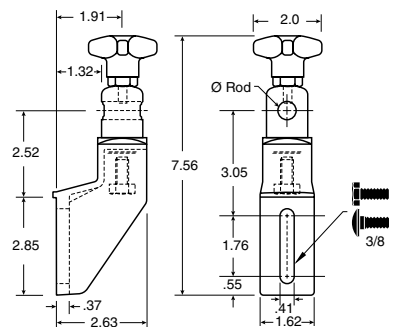


Spacers can be used with brackets. See page 306.

202LHS

Swivel Bracket

Support for guide rails where both horizontal and swivel adjustment is required.



Material: Polyamide bracket body and knob. Stainless steel swivel cap and hardware.

| Part Number | Ø Rod |
|---|-------|
| VG-202LHS-12 | 1/2 |
| <i>Brackets without positioning lip</i> | |
| VG-202FLHS-12 | 1/2 |

SYSTEM PLAST™

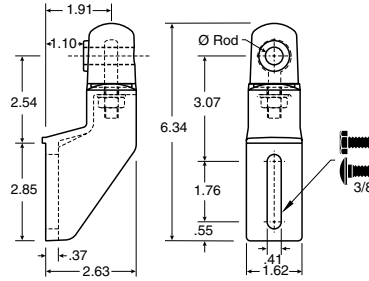
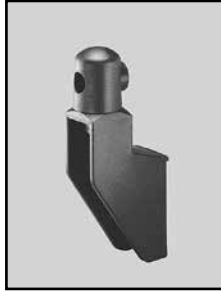
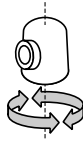
©2015 Regal-Beloit Corporation, All Rights Reserved.

Brackets & Positioning



202LC

Swivel Bracket
Support for guide rails where both horizontal and swivel adjustment is required.

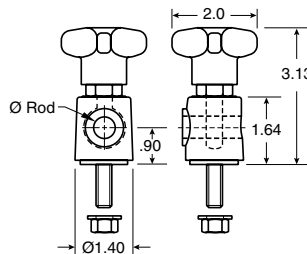


Material: Polyamide bracket body, cap and knob. Stainless steel hardware.

| Part Number | Ø Rod |
|---|------------|
| VG-202LC-12 | 1/2 |
| <i>Brackets without positioning lip</i> | |
| VG-202FLC-12 | 1/2 |

202TC

Transition Cap Assembly
Support for guide rails where swivel adjustment is required. For use on VG-202L body.

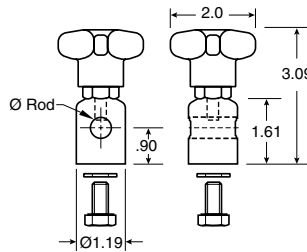


Material: Polyamide cap and knob. Stainless steel eyelet and nut.

| Part Number | Ø Rod |
|--------------------|------------|
| VG-202TC-12 | 1/2 |

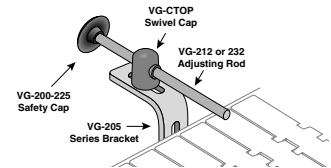
202HS

Swivel Cap Assembly
Support for guide rails where swivel adjustment is required. For use on VG-202L body.



Material: Stainless steel cap and hardware. Polyamide knob.

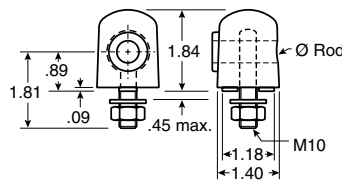
| Part Number | Ø Rod |
|--------------------|------------|
| VG-202HS-12 | 1/2 |



Brackets & Positioning

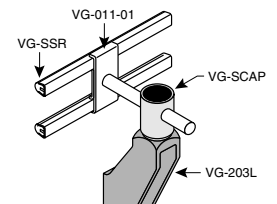
CTOP

Swivel Cap
Support for guide rails where swivel adjustment is required. For use on VG-202L and VG-203L bracket bodies or other mounting surfaces.



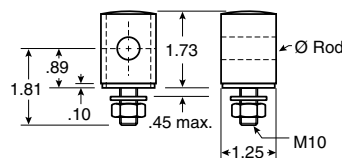
Material: Polyamide cap. Stainless steel eyelet and nut.

| Part Number | Ø Rod |
|-------------------|------------|
| VG-CTOP-12 | 1/2 |
| VG-CTOP-58 | 5/8 |



SCAP

Stainless Swivel Cap
Support for guide rails where swivel adjustment is required. For use on VG-202L and VG-203L bracket bodies or other mounting surfaces.



Material: Stainless steel cap eyelet and nut.

| Part Number | Ø Rod |
|-------------------|------------|
| VG-SCAP-12 | 1/2 |
| VG-SCAP-58 | 5/8 |

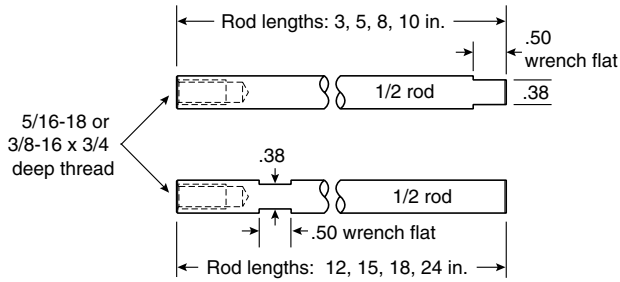


Adjusting Rods

212

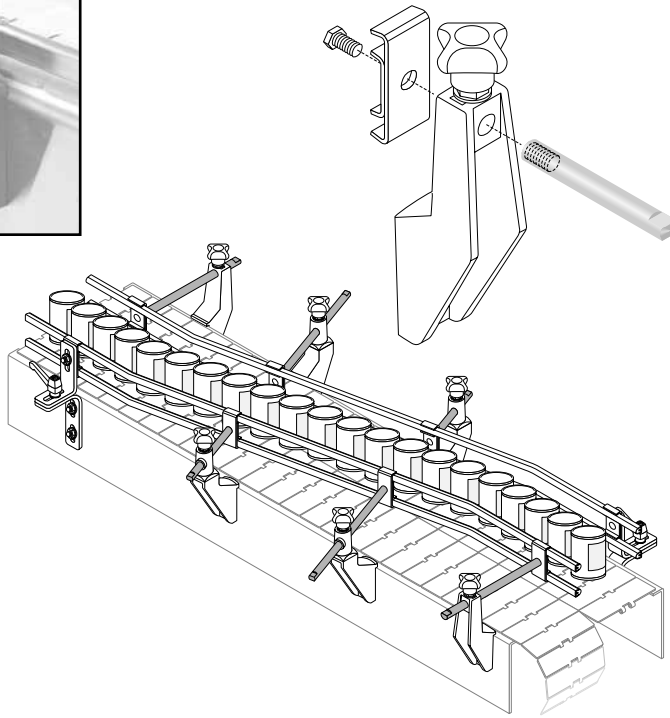
1/2 Adjusting Rod

Connects to VG-011, VG-012, VG-016 and VG-018 style clips and clamps.



Material: Stainless steel.

| Part Number | Length (in.) | Tapped Thread |
|---------------|--------------|---------------|
| VG-212-3-516 | 3 | 5/16-18 |
| VG-212-3-38 | 3 | 3/8-16 |
| VG-212-5-516 | 5 | 5/16-18 |
| VG-212-5-38 | 5 | 3/8-16 |
| VG-212-8-516 | 8 | 5/16-18 |
| VG-212-8-38 | 8 | 3/8-16 |
| VG-212-10-516 | 10 | 5/16-18 |
| VG-212-10-38 | 10 | 3/8-16 |
| VG-212-12-516 | 12 | 5/16-18 |
| VG-212-12-38 | 12 | 3/8-16 |
| VG-212-15-516 | 15 | 5/16-18 |
| VG-212-15-38 | 15 | 3/8-16 |
| VG-212-18-516 | 18 | 5/16-18 |
| VG-212-18-38 | 18 | 3/8-16 |
| VG-212-24-516 | 24 | 5/16-18 |
| VG-212-24-38 | 24 | 3/8-16 |

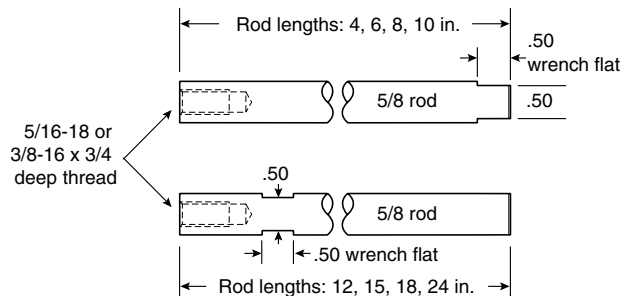


Brackets & Positioning

232

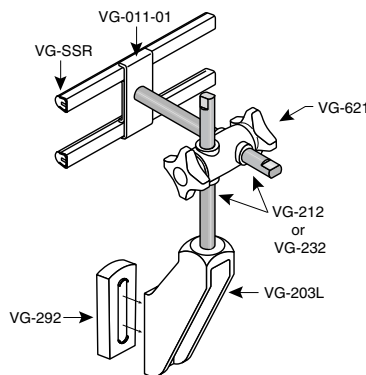
5/8 Adjusting Rod

Connects to VG-011, VG-012, VG-016 and VG-018 style clips and clamps.



Material: Stainless steel.

| Part Number | Length (in.) | Tapped Thread |
|---------------|--------------|---------------|
| VG-232-4-516 | 4 | 5/16-18 |
| VG-232-4-38 | 4 | 3/8-16 |
| VG-232-6-516 | 6 | 5/16-18 |
| VG-232-6-38 | 6 | 3/8-16 |
| VG-232-8-516 | 8 | 5/16-18 |
| VG-232-8-38 | 8 | 3/8-16 |
| VG-232-10-516 | 10 | 5/16-18 |
| VG-232-10-38 | 10 | 3/8-16 |
| VG-232-12-516 | 12 | 5/16-18 |
| VG-232-12-38 | 12 | 3/8-16 |
| VG-232-15-516 | 15 | 5/16-18 |
| VG-232-15-38 | 15 | 3/8-16 |
| VG-232-18-516 | 18 | 5/16-18 |
| VG-232-18-38 | 18 | 3/8-16 |
| VG-232-24-516 | 24 | 5/16-18 |
| VG-232-24-38 | 24 | 3/8-16 |



**SYSTEM
PLAST™**

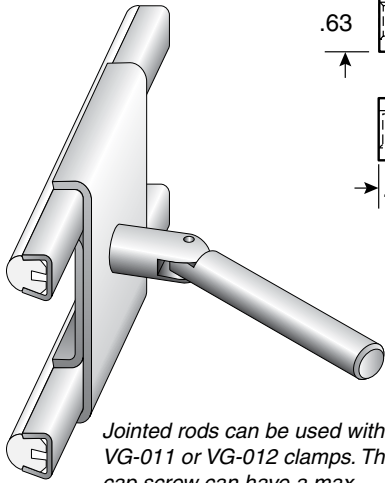
©2015 Regal-Beloit Corporation, All Rights Reserved.



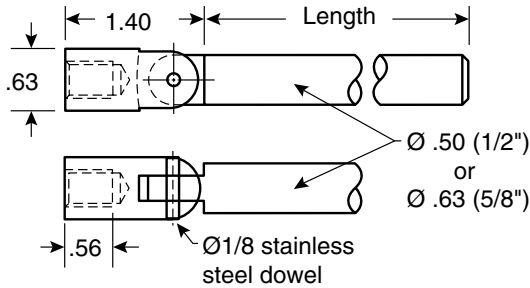
212J, 232J

Jointed Adjusting Rods: Tapped

Guide rail that has been formed into curves or angles can easily be positioned with Valu Guide Jointed Adjusting Rods. When used with Valu Guide brackets, spacers and rail clamps, the adjusting rods must be held in a parallel position for smooth adjustment while the pivoting clevis can be attached at various angles to the guide rail. A simple release of the bracket hand knobs allows the rails to be adjusted to the desired position.

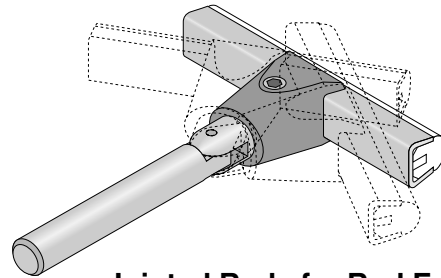


Jointed rods can be used with VG-011 or VG-012 clamps. The cap screw can have a max. stud length of 5/8 inch.



Material: Stainless steel.

| Part Number | \varnothing (in.) | Length (in.) | Tapped Thread |
|----------------|---------------------|--------------|---------------|
| VG-212J-3-516 | 1/2 | 3 | 5/16-18 |
| VG-212J-3-38 | 1/2 | 3 | 3/8-16 |
| VG-212J-5-516 | 1/2 | 5 | 5/16-18 |
| VG-212J-5-38 | 1/2 | 5 | 3/8-16 |
| VG-212J-7-516 | 1/2 | 7 | 5/16-18 |
| VG-212J-7-38 | 1/2 | 7 | 3/8-16 |
| VG-212J-9-516 | 1/2 | 9 | 5/16-18 |
| VG-212J-9-38 | 1/2 | 9 | 3/8-16 |
| VG-232J-4-516 | 5/8 | 4 | 5/16-18 |
| VG-232J-4-38 | 5/8 | 4 | 3/8-16 |
| VG-232J-6-516 | 5/8 | 6 | 5/16-18 |
| VG-232J-6-38 | 5/8 | 6 | 3/8-16 |
| VG-232J-8-516 | 5/8 | 8 | 5/16-18 |
| VG-232J-8-38 | 5/8 | 8 | 3/8-16 |
| VG-232J-10-516 | 5/8 | 10 | 5/16-18 |
| VG-232J-10-38 | 5/8 | 10 | 3/8-16 |



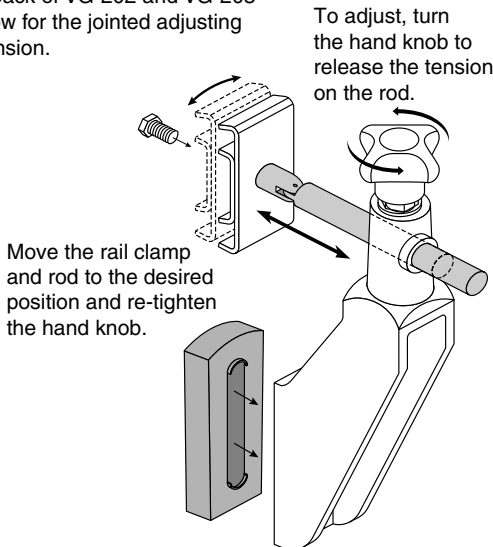
Jointed Rods for Rod Ends

VG-019-12 and VG-020-01 use special grooved adjusting rods. Jointed versions of these rods can be found on page 229.

Brackets & Positioning

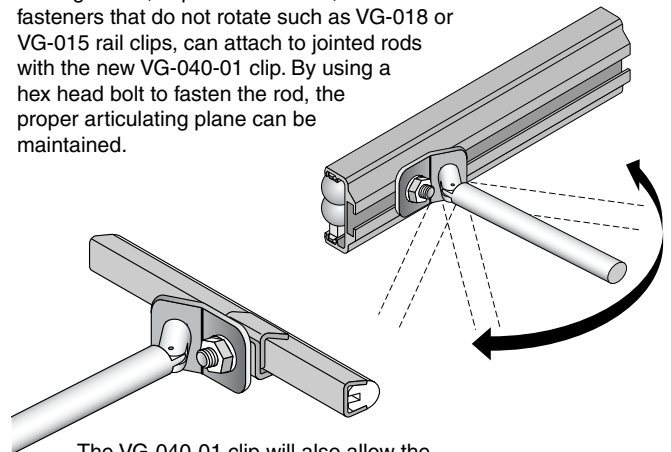
Bracket Spacers for Jointed Rod Use.

VG-290 series spacers maybe required for proper set back of VG-202 and VG-203 brackets to allow for the jointed adjusting rod clevis extension.



Special Clip for Jointed Rods and Fixed Threads.

Carriage bolts, captured hex bolts, or other threaded fasteners that do not rotate such as VG-018 or VG-015 rail clips, can attach to jointed rods with the new VG-040-01 clip. By using a hex head bolt to fasten the rod, the proper articulating plane can be maintained.



The VG-040-01 clip will also allow the use of a jointed rod when attaching to products with fasteners that do not rotate.

SYSTEM PLAST™

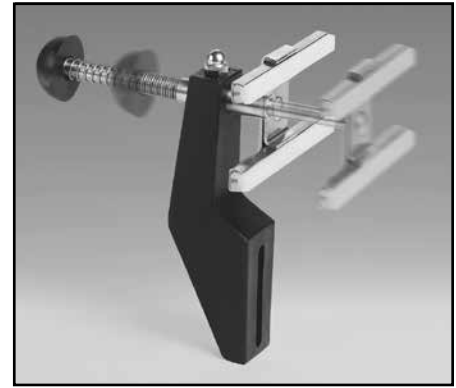


SpeedSet Brackets



Fast, Accurate Changes!

SpeedSet™ Brackets solve conveyor line change problems...quickly. The benefit of SpeedSet is preset conveyor guide rail adjustability that is fast and accurate without the need for tools. SpeedSet is fast because a simple push on the end knob moves the rod, clamp, and guide rail. Within seconds, each rail holding point can be adjusted, saving valuable time on line changes. SpeedSet is accurate due to the innovative positioning spacer design. Customized to individual product requirements, positioning spacers accurately hold the rod and guide rail in position. Simply set the rails in "Home Position" for largest containers, and insert the positioning spacers for consistent spacing on smaller containers. Remove the blocks to return to the original "Home Position."



Positioning Spacers

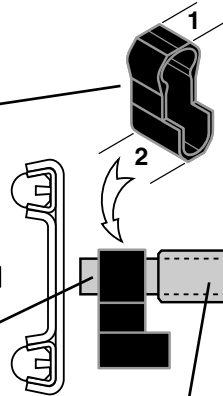
3 types available, see page 300. Used to hold the rod in an extended position, insert positioning spacer between the rod sleeve and the guide rail holder. These spacers can be fabricated to provide a total of three positions within the Range of Travel (discussed later). One VG-QPC series spacer is included with each bracket.

Piston Rod

Tapped piston rod can accept a wide variety of Valu Guide rail holders (double rail clamp shown).

Rod Sleeve

The rod sleeve provides the reach to the largest conveyed container while the rod inside the sleeve adjusts to the smaller container.



Collar hangs loose on rod sleeve for "Home Position"

Push Knob

The push knob is designed to have pressure applied to move the rod and guide rails into a new position.

Spring

The spring maintains pressure which holds the positioning spacers and guide rail in place. When the positioning spacers are removed, the spring returns the guide rail to the "Home Position".

Brackets

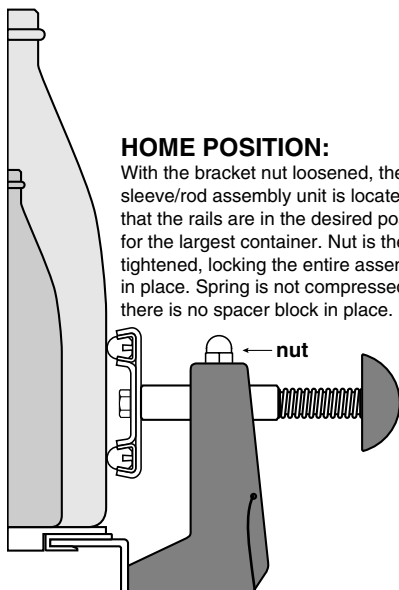
Valu Guide brackets are slotted to allow vertical height adjustment. The use of bracket spacers, swivel tops, and stacking rings allows virtually any conveyor line to take advantage of SpeedSet.



Patent Numbers
5,819,911
5,967,295
6,135,271
6,533,110

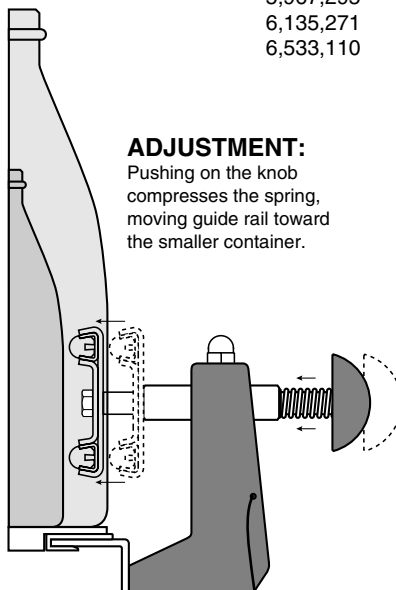
HOME POSITION:

With the bracket nut loosened, the entire sleeve/rod assembly unit is located such that the rails are in the desired position for the largest container. Nut is then tightened, locking the entire assembly in place. Spring is not compressed and there is no spacer block in place.



ADJUSTMENT:

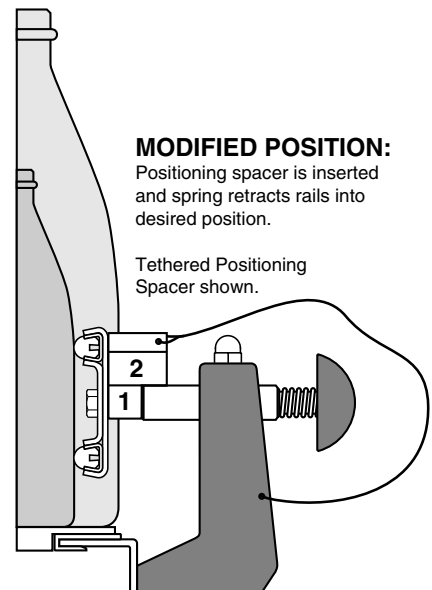
Pushing on the knob compresses the spring, moving guide rail toward the smaller container.



MODIFIED POSITION:

Positioning spacer is inserted and spring retracts rails into desired position.

Tethered Positioning Spacer shown.





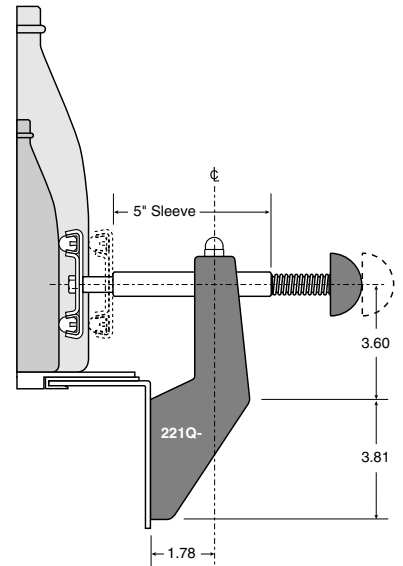
Step 1 Determining the Sleeve Length

The sleeve provides the reach needed to position the guide rails against the largest container. Valu Guide offers sleeves in 2", 3", and 5" lengths. Custom sleeve lengths are available. The sleeve is locked into place by tightening the acorn nut on top of the bracket. This is considered the home position. (see below) Further adjustment of the rails is achieved by sliding the piston rod through the sleeve.

The required sleeve length can be determined by measuring or calculating the distance from the edge of the largest container to the edge of the conveyor and adding 2". Once the calculation is done, select the next largest sleeve size.

$$\text{largest container to conveyor edge} + 2'' = \text{Minimum sleeve length}$$

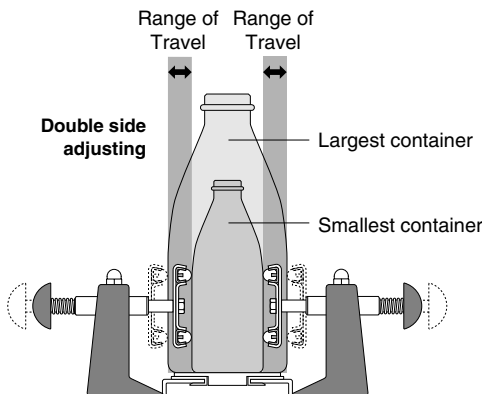
Example: 2.5" + 2.0" = 4.5" (requires 5" sleeve)



Step 2 Selecting the Range of Travel

The range of travel is defined as the distance that the guide rails must move to accommodate different container sizes. SpeedSet brackets are available with two ranges of travel: 1-1/2" and 2-1/2". These are maximum ranges, with the ability to adjust to any length within the maximum range.

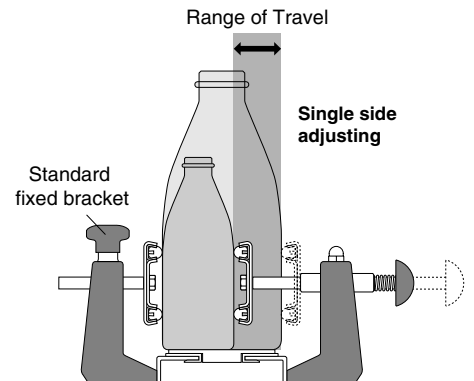
To calculate the range of travel when *both* sides of the conveyor guide rail are adjusting, use the following formula:



$$\text{largest container} - \text{smallest container} \div 2 = \text{range of travel for each side}$$

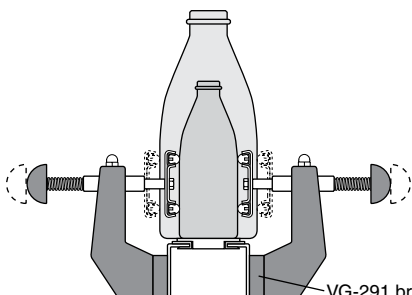
Example: 5" - 3" = 2" ÷ 2 = 1" travel per side

To calculate the range of travel when a *single* side of the conveyor guide rail is adjusting, use the following formula:

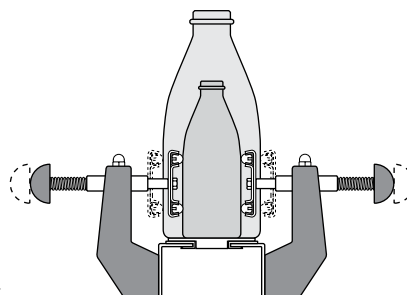


$$\text{largest container} - \text{smallest container} = \text{range of travel for a single side}$$

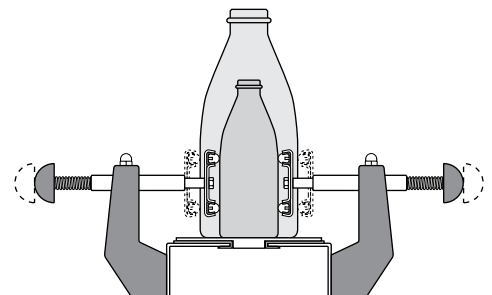
Example: 5" - 3" = 2" travel for one side



3/4" Chain
3" sleeve
1 1/2" travel
VG-221 bracket



4 1/2" Chain
3" sleeve
1 1/2" travel
VG-221 bracket



7 1/2" Chain
5" sleeve
1 1/2" travel
VG-221 bracket

Brackets & Positioning



SpeedSet Brackets

SpeedSet Spacers Positioning for different size containers!

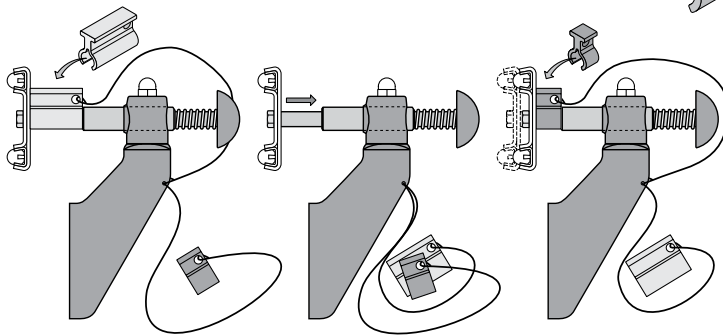
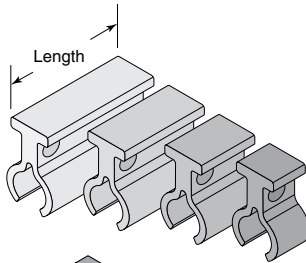
Three types of positioning spacers have been developed for SpeedSet brackets. A Positioning Collar is included with each SpeedSet bracket. The length of the spacer included with each bracket corresponds to the length of travel of the bracket ordered, either 1, 1-1/2 or 2-1/2 inches.

Some spacers can accommodate 3 positioning lengths including the "Home Position" by cutting to the required length as shown. Additional positioning spacers can be purchased in 18 inch lengths and cut to length as needed.

QSC

Precut Spacers in Colors

Color coding makes these spacers easy to work with while providing exact spacing for SpeedSet spring loaded brackets. Use VG-QT-01 tether to keep spacers close to brackets for future use. Color code up to 7 line change colors per bracket.



Material: Polypropylene

| Part Number | Color | Length (in.) |
|-------------|--------|--------------|
| VG-QSC-10M | Red | .39 |
| VG-QSC-12M | Blue | .47 |
| VG-QSC-16M | Black | .63 |
| VG-QSC-20M | Green | .79 |
| VG-QSC-25M | Purple | .98 |
| VG-QSC-30M | Orange | 1.18 |
| VG-QSC-40M | Gray | 1.58 |

Tether Material: Clear PVC.

| Part Number | Length (in.) |
|-------------|--------------|
| VG-QT-01 | 9 |

QPC

Positioning Collar

This spacer, in 1, 1-1/2 or 2-1/2 inch length depending on travel chosen, is **included with each SpeedSet bracket**. A single spacer can accommodate 2 positioning lengths in addition to the "Home Position" by cutting as shown. To make additional spacers, 18 inch sections can be purchased and cut to length as needed. Use the following part number:

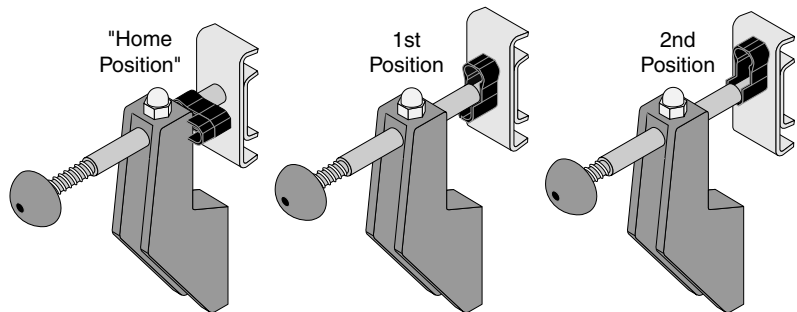
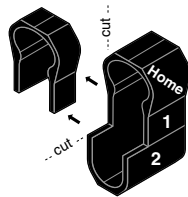


Material: Black PVC

| Part Number | Length (in.) |
|-------------|--------------|
| VG-QPC-1.0 | 1 |
| VG-QPC-1.5 | 1-1/2 |
| VG-QPC-2.5 | 2-1/2 |
| VG-QPC-18 | 18 |



Patent # 6,533,110



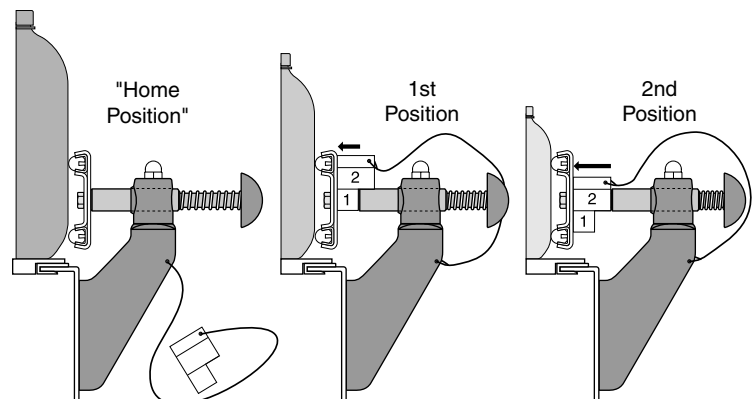
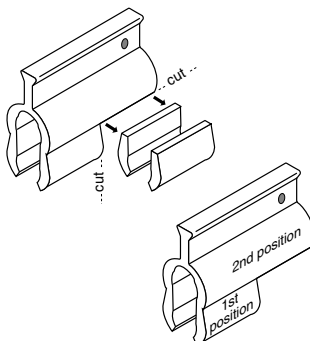
QSB

Positioning Spacer

A single spacer can accommodate 2 positioning lengths in addition to the "Home Position" by cutting as shown. To make additional spacers, 18 inch sections, can be purchased and cut to length as needed. Use VG-QT-01 tether to keep spacers close to brackets for future use.

Spacer Material: Gray PVC.

| Part Number | Length (in.) |
|-------------|--------------|
| VG-QSB-1.0 | 1 |
| VG-QSB-1.5 | 1-1/2 |
| VG-QSB-2.5 | 2-1/2 |
| VG-QSB-18 | 18 |



Tether Material: Clear PVC.

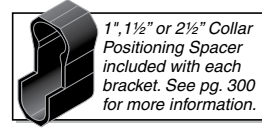
| Part Number | Length (in.) |
|-------------|--------------|
| VG-QT-01 | 9 |

SpeedSet Brackets



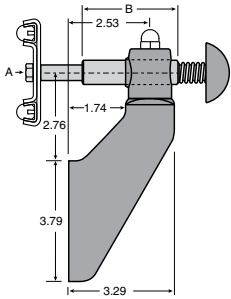
Swivel Top SpeedSet Brackets

This bracket is required for curves, lane changes, and combiner areas, and allows in and out adjustments of the rails at any angle relative to the conveyor. For additional bracket body specifications, see VG-221 on page 291 and VG-210 on page 294.



Materials: Polyamide bracket. Stainless steel rod and spring assembly. PVC push knob.

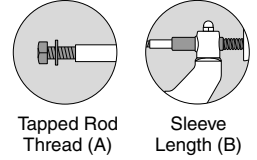
203Q



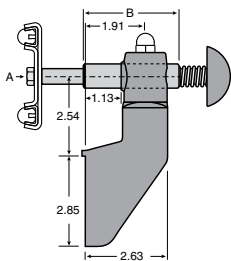
Adjustment Range (Travel):



| Part Number | Part Number | Part Number | Tapped Rod Thread (A) | Sleeve Length (B) |
|-------------------|-------------------|-------------------|-----------------------|-------------------|
| VG-203Q-02-10-516 | | | 5/16 | 2 |
| VG-203Q-03-10-516 | VG-203Q-03-15-516 | | 5/16 | 3 |
| | VG-203Q-03-15-38 | | 3/8 | 3 |
| VG-203Q-05-10-516 | VG-203Q-05-15-516 | VG-203Q-05-25-516 | 5/16 | 5 |
| VG-203Q-05-10-38 | VG-203Q-05-15-38 | VG-203Q-05-25-38 | 3/8 | 5 |



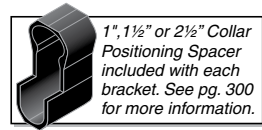
202Q



| Part Number | Part Number | Part Number | Tapped Rod Thread (A) | Sleeve Length (B) |
|-------------------|-------------------|-------------------|-----------------------|-------------------|
| VG-202Q-02-10-516 | | | 5/16 | 2 |
| VG-202Q-02-10-38 | | | 3/8 | 2 |
| VG-202Q-03-10-516 | VG-202Q-03-15-516 | | 5/16 | 3 |
| | VG-202Q-03-15-38 | | 3/8 | 3 |
| VG-202Q-05-10-516 | VG-202Q-05-15-516 | VG-202Q-05-25-516 | 5/16 | 5 |
| VG-202Q-05-10-38 | | VG-202Q-05-25-38 | 3/8 | 5 |

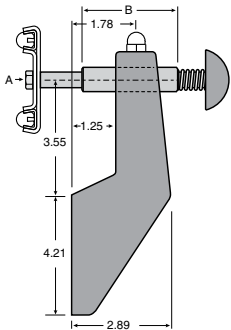
Fixed SpeedSet Brackets

Used for straight running conveyors, this bracket style allows only in and out adjustments at a right angle to the conveyor. For additional bracket body specifications, see VG-221 on page 291 and VG-210 on page 294.



Materials: Polyamide bracket. Stainless steel rod and spring assembly. PVC push knob.

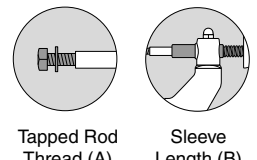
221Q



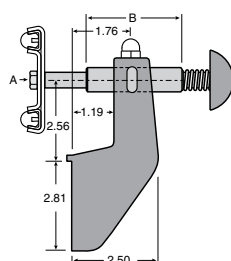
Adjustment Range (Travel):



| Part Number | Part Number | Part Number | Tapped Rod Thread (A) | Sleeve Length (B) |
|-------------------|-------------------|-------------------|-----------------------|-------------------|
| VG-221Q-02-10-516 | | | 5/16 | 2 |
| VG-221Q-02-10-38 | | | 3/8 | 2 |
| VG-221Q-03-10-516 | VG-221Q-03-15-516 | | 5/16 | 3 |
| | VG-221Q-03-15-38 | | 3/8 | 3 |
| VG-221Q-05-10-516 | VG-221Q-05-15-516 | VG-221Q-05-25-516 | 5/16 | 5 |
| VG-221Q-05-10-38 | VG-221Q-05-15-38 | VG-221Q-05-25-38 | 3/8 | 5 |



210Q

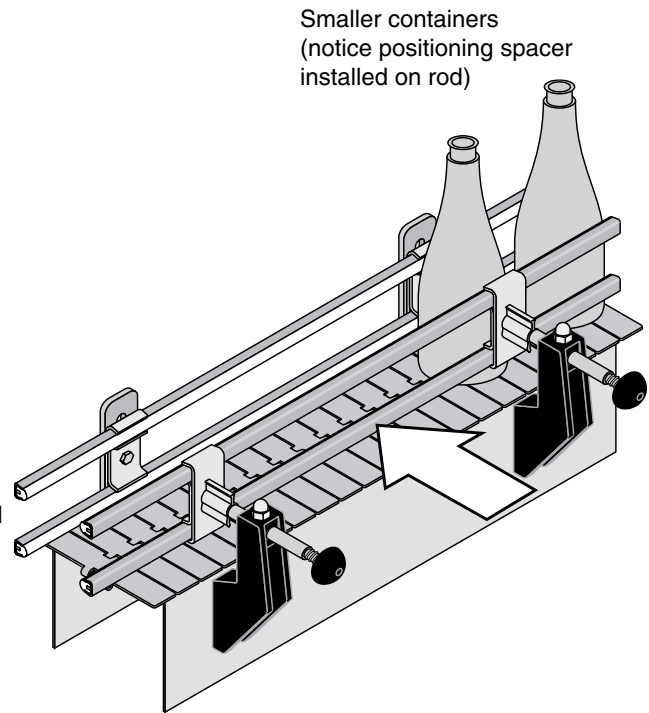
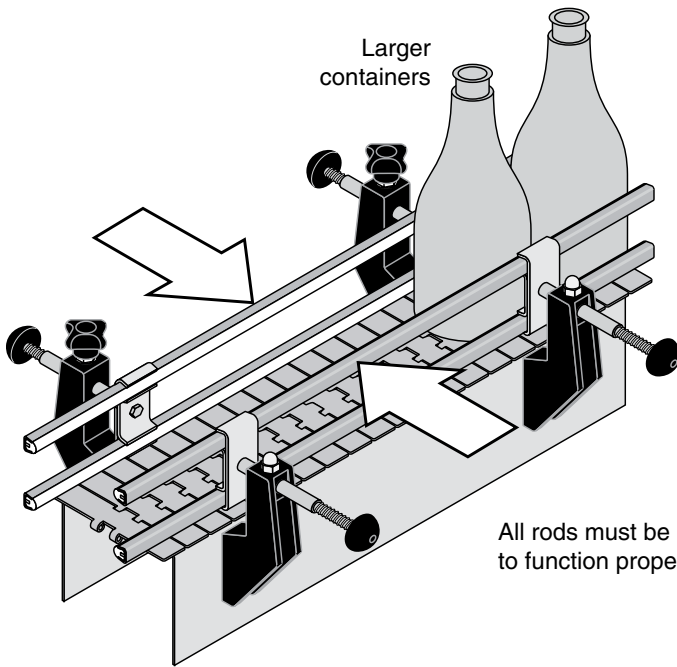
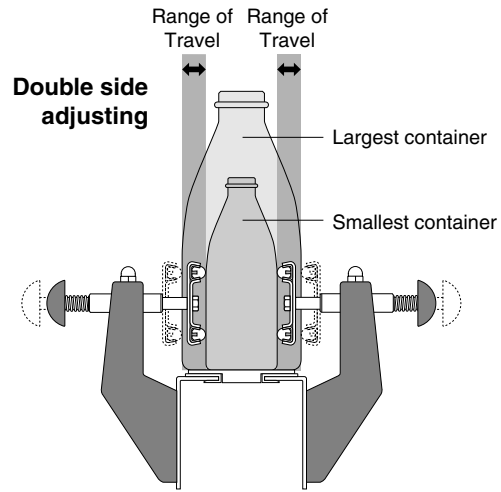
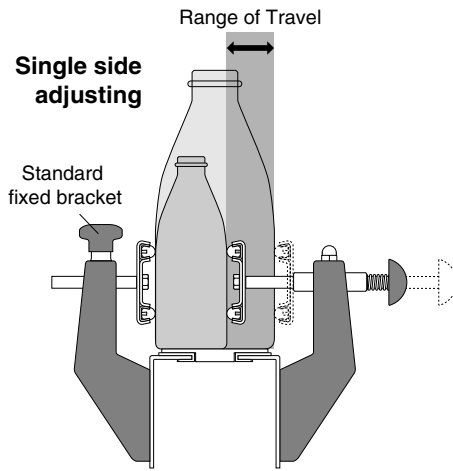


| Part Number | Part Number | Part Number | Tapped Rod Thread (A) | Sleeve Length (B) |
|-------------------|-------------------|-------------------|-----------------------|-------------------|
| VG-210Q-02-10-516 | | | 5/16 | 2 |
| VG-210Q-02-10-38 | | | 3/8 | 2 |
| VG-210Q-03-10-516 | | | 5/16 | 3 |
| | VG-210Q-03-15-38 | | 3/8 | 3 |
| | VG-210Q-05-15-516 | VG-210Q-05-25-516 | 5/16 | 5 |
| | VG-210Q-05-15-38 | VG-210Q-05-25-38 | 3/8 | 5 |

Brackets & Positioning



SpeedSet Brackets



All rods must be parallel to function properly.

Brackets & Positioning

Types of Positioning

(A) Range of Rod Travel
Rod lengths provide either 1, 1.5 or 2.5 inches of travel from the end of the sleeve. Positioning spacers (page 300) are used to counter the force of the spring, and hold the rod and guide rails in an extended position. The spacer size determines the distance that the rails are positioned away from the sleeve and bracket. If no positioning spacers are used, the rod is retracted by the spring, and the rails are at "Home Position".

(B) Sleeve
The rod sleeve is available in 2, 3, and 5 inch lengths, and is positioned as needed in the bracket by tightening the acorn nut. Further rail adjustments should be made through the use of positioning spacers.

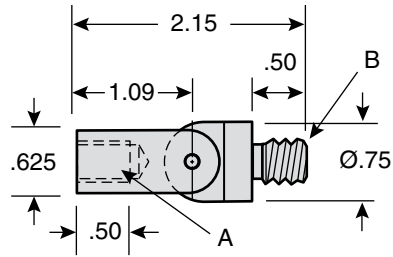
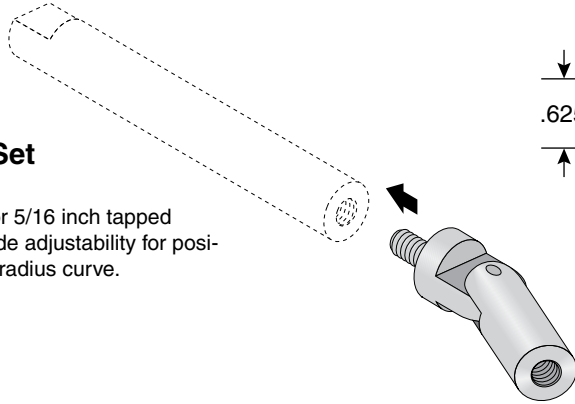
(C) Bracket
To help in finding the "Home Position" for the rod and guide rails, various bracket configurations can be used. Bracket sizes, bracket spacers, and stacking rings can be selected to best locate the rod. See page 306 for related components.



212JQ

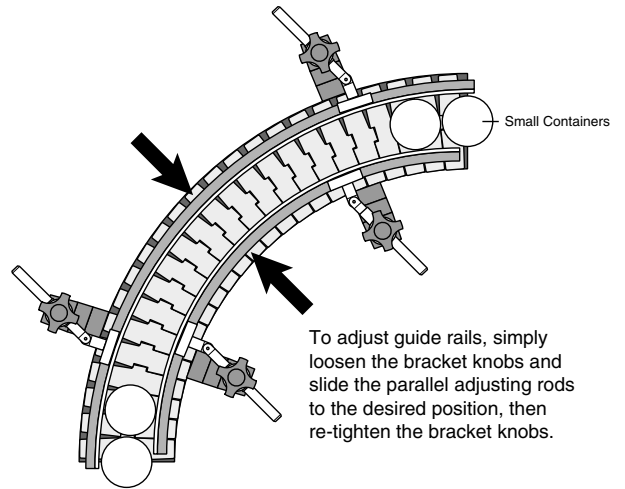
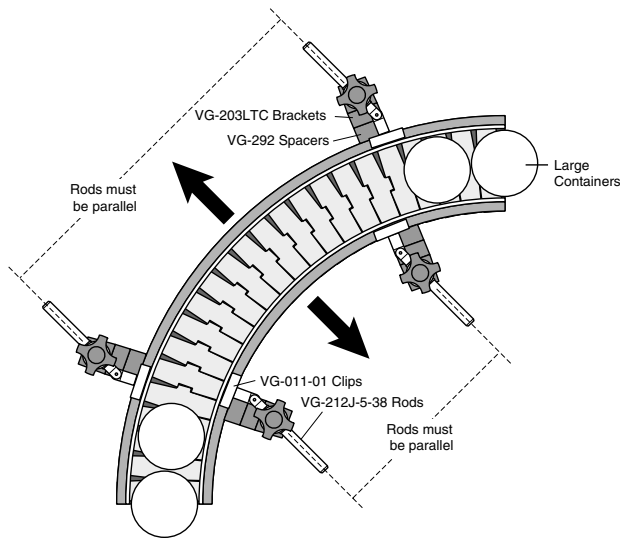
Jointed SpeedSet Rod Adapter

Threads into any 3/8 or 5/16 inch tapped SpeedSet rod to provide adjustability for positioning rails through a radius curve.



Material: Stainless steel.

| Part Number | Tap & Stud Thread (A & B) |
|---------------------|---------------------------|
| VG-212JQ-38 | 3/8 |
| VG-212JQ-516 | 5/16 |



Brackets & Positioning

33298

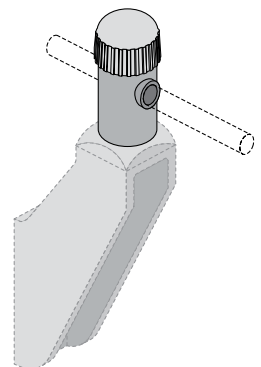
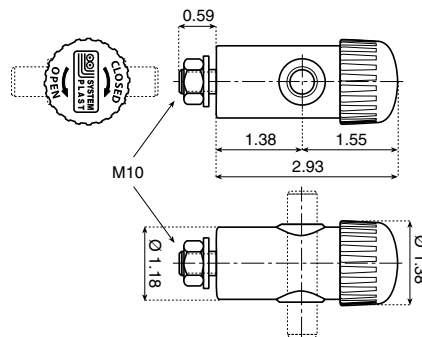
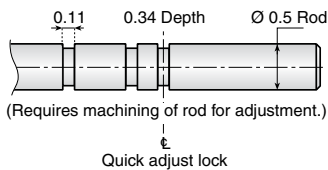
Quick Adjust Head

Dual action knob provides simple and accurate adjustments. When adjustment is necessary, a simple turn of the quick release cap loosens the grip on the rod. When the adjustment is complete, retighten the cap to lock the new position in place. Can be used with any System Plast bracket.



Material: Polyamide, nickel plated brass.

| Part Number | Ø Rod |
|--------------|------------|
| 33298 | 1/2 |



**SYSTEM
PLAST™**

Molded Plastic "L" Brackets



Plastic "L" Brackets

Plastic "L" brackets are slotted for maximum adjustability, interchangeable, and can be used for upper or lower parts of a bracket assembly. The taller VG-245-K is especially useful as the top segment of an assembly where greater vertical adjustment is required.

As Strong as Steel!



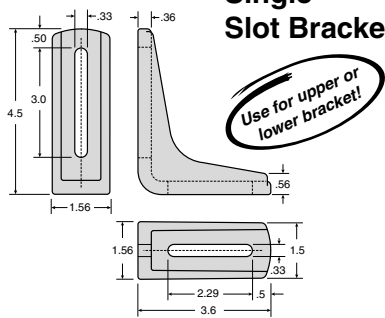
In simple load tests, VG-245 plastic brackets have deflection properties comparable to the 3/16 in. thick VG-205 steel bracket.

Polyamide

The characteristics of **polyamide** resin make it an excellent material choice for molded component parts that must stand up to demanding industrial applications. System Plast uses reinforced polyamide to provide our customers with products, such as the plastic "L" brackets, that are dimensionally stable and have high mechanical strength. The brackets have high rigidity and toughness, resistance to heat deformation, and resistance to many chemicals. Continuous operating temperature range: -4°F to +190°F. Withstands intermittent temperatures up to 220°F.

245-H

Single Slot Bracket

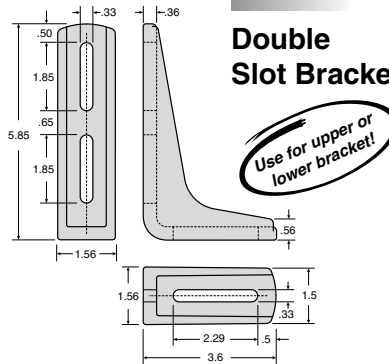


Material: Reinforced Polyamide.

| Part Number | Black | Gray |
|-------------|-------|------|
| VG-245-H-BK | • | |
| VG-245-H-GR | | • |

245-J

Double Slot Bracket

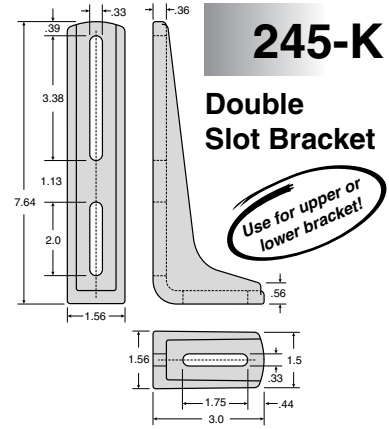


Material: Reinforced Polyamide.

| Part Number | Black |
|-------------|-------|
| VG-245-J-BK | • |

245-K

Double Slot Bracket



Material: Reinforced Polyamide.

| Part Number | Black | Gray |
|-------------|-------|------|
| VG-245-K-BK | • | |
| VG-245-K-GR | | • |

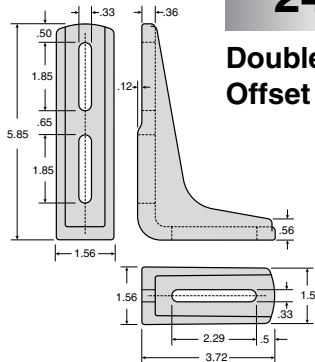
Brackets & Positioning

Plastic Offset "L" Brackets

Offset brackets are designed to intentionally set back the upper guide rail in a double guide rail configuration. This allows the container to be guided primarily by the lower guide rail. The upper guide rail acts as a secondary guide only when the container is tipping. Each bracket is slotted for maximum adjustability and the taller top segment is available for greater vertical adjustment.

245-L

Double Slot Offset Bracket

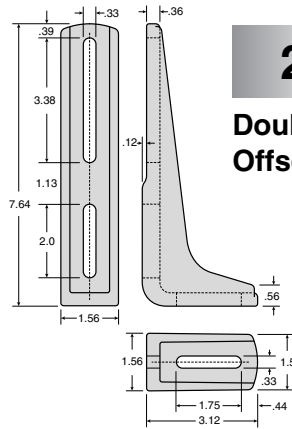


Material: Reinforced Polyamide.

| Part Number | Black | Gray |
|-------------|-------|------|
| VG-245-L-BK | • | |
| VG-245-L-GR | | • |

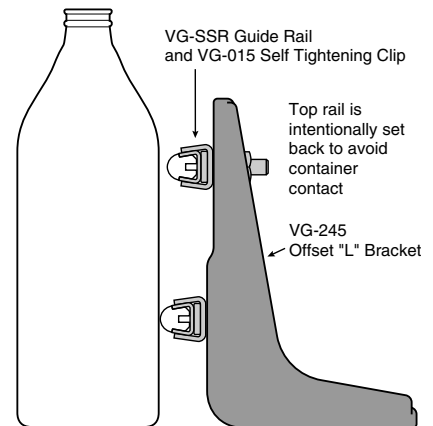
245-M

Double Slot Offset Bracket



Material: Reinforced Polyamide.

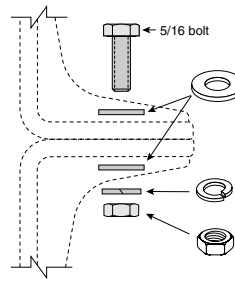
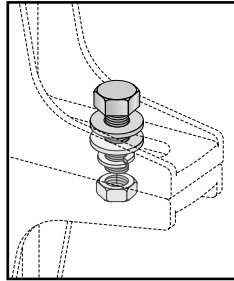
| Part Number | Black |
|-------------|-------|
| VG-245-M-BK | • |





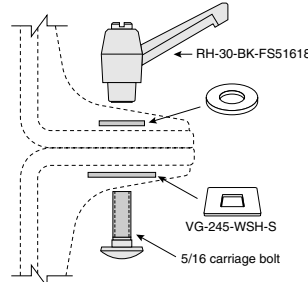
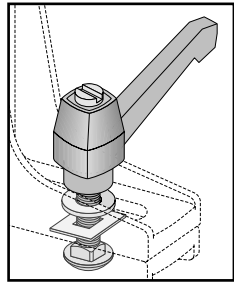
Hardware Assemblies

For all VG-245 bracket assemblies.



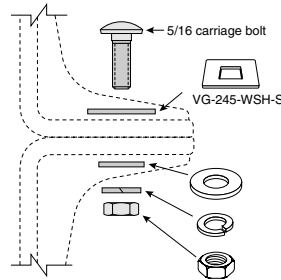
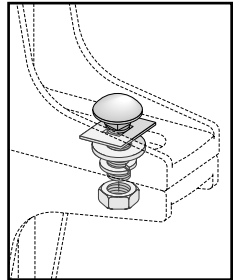
Material: Stainless steel.

Part Number
VG-245-HDW-01-S516



Material: Polyamide ratchet handle, stainless steel hardware.

Part Number
VG-245-HDW-02-S516

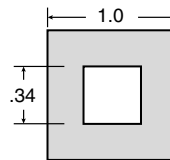
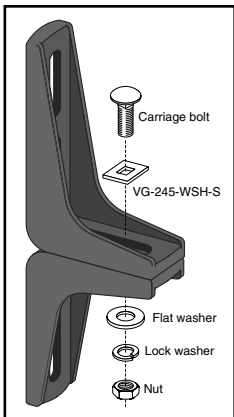


Material: Stainless steel.

Part Number
VG-245-HDW-03-S516

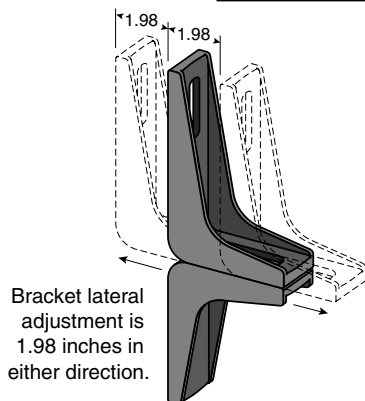
Square Washer

Prevents carriage bolt heads from stripping out the bracket slot. Recommended for use with 5/16 carriage bolts.

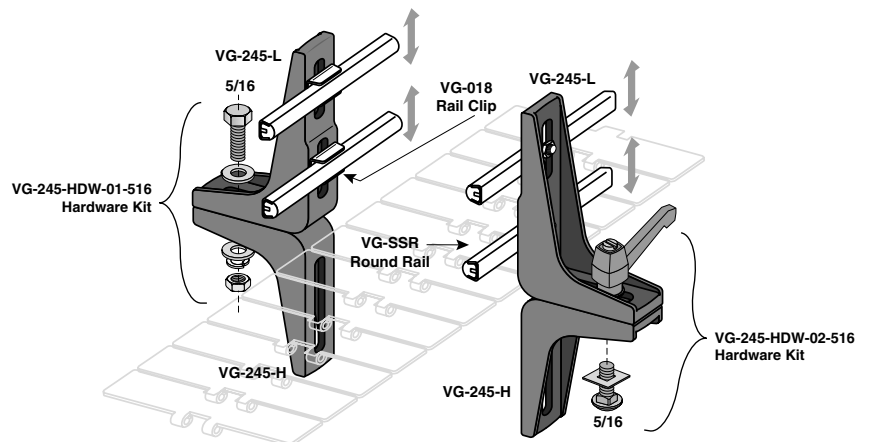


Material: 18 ga. stainless steel.

Part Number
VG-245-WSH-S



Bracket lateral adjustment is 1.98 inches in either direction.



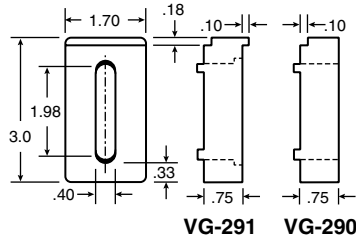
Brackets & Positioning



290 and 291

Spacers

Used to increase the distance between VG-202 or VG-210 series brackets and the mounting surface. VG-291 is designed to be used with the bracket or in multiples when the squaring lip is desired. The VG-290 is used with the bracket or the VG-291 when no lip is desired.

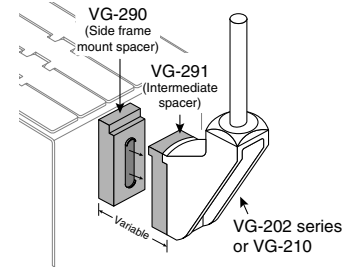


Material: Polyamide.

Part Number

VG-290

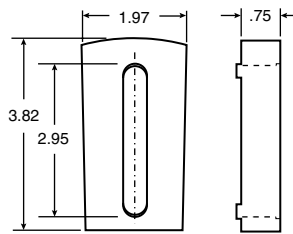
VG-291



292

Spacer

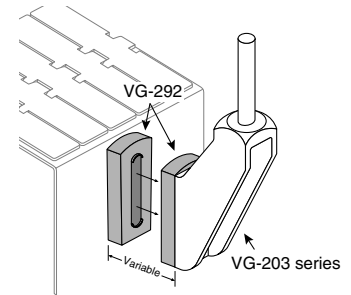
Used to increase the distance between VG-203 series brackets and the mounting surface. May be used in multiples.



Material: Polyamide.

Part Number

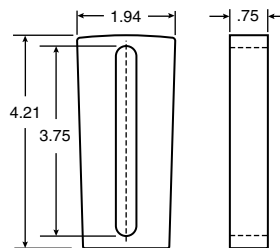
VG-292



131136

Spacer

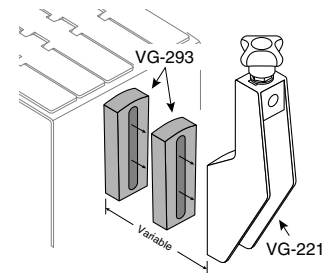
Used to increase the distance between VG-221 series brackets and the mounting surface. May be used in multiples.



Material: Polyamide.

Part Number

131136



VSR

Stacking Ring

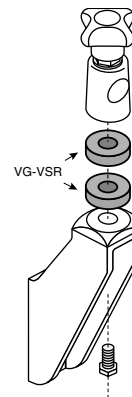
Use with VG-202/203 brackets and cap series where increased height is necessary.



Material: Polyamide.

Part Number

VG-VSR



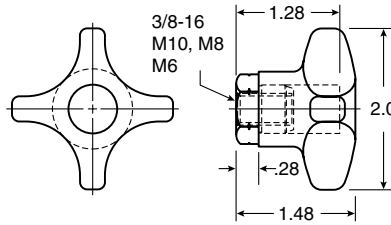
Note: When stacking rings are used, rod center line changes and a longer bolt is required.

Bracket Hand Knobs

280

Female Knob

Used alone or as replacement for VG-202TC bracket caps and VG-210 brackets.



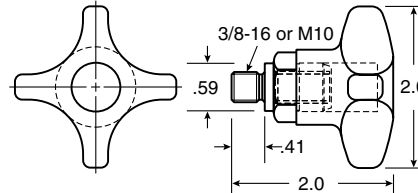
Material: Polyamide (PA) or Polypropylene (PP) knob. Nickel plated brass knob bushing.

| Part Number | Material | Thread |
|---------------|----------|--------|
| VG-280-38F | PA | 3/8-16 |
| VG-280-M10F | PA | M10 |
| VG-280-M8F | PA | M8 |
| VG-280-M6F | PA | M6 |
| VG-280PP-38F | PP | 3/8-16 |
| VG-280PP-M10F | PP | M10 |
| VG-280PP-M8F | PP | M8 |
| VG-280PP-M6F | PP | M6 |

280

Male Knob

Used alone or as replacement for VG-202H series bracket caps.

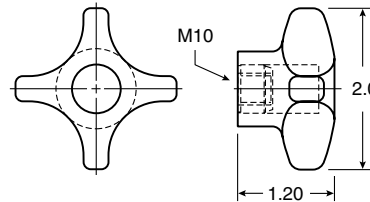


| Part Number | Material | Thread |
|-------------|----------|--------|
| VG-280-38M | PA | 3/8-16 |
| VG-280-M10M | PA | M10 |

280K

Female Knob

Used alone or as part of VG-253K bracket.

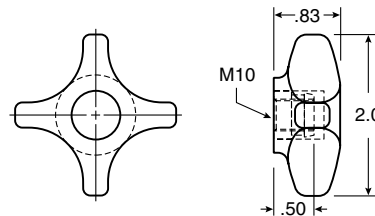


| Part Number | Material | Thread |
|-------------|----------|--------|
| VG-280K | PA | M10 |

281

Female Knob

Used alone or as replacements for VG-621 cross blocks. Insert is molded into the knob.

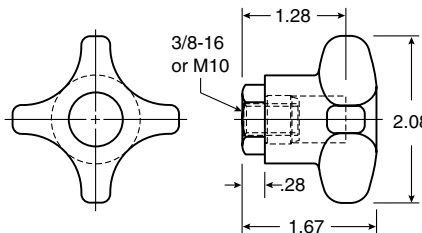


| Part Number | Material | Thread |
|-------------|----------|--------|
| VG-281-M10F | PA | M10 |

282

Female Knob

Used alone or as replacements for VG-203TC series bracket caps and VG-221 brackets.

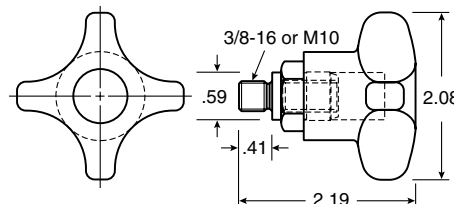


| Part Number | Material | Thread |
|---------------|----------|--------|
| VG-282-38F | PA | 3/8-16 |
| VG-282-M10F | PA | M10 |
| VG-282PP-38F | PP | 3/8-16 |
| VG-282PP-M10F | PP | M10 |

282

Male Knob

Used alone or as replacement for VG-203H series bracket caps.



| Part Number | Material | Thread |
|-------------|----------|--------|
| VG-282-38M | PA | 3/8-16 |
| VG-282-M10M | PA | M10 |

Brackets & Positioning

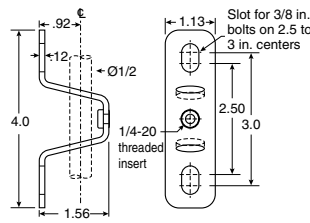
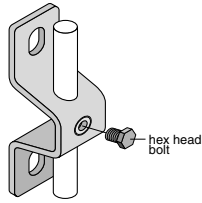


254B

Small Bracket with Hex Head Bolt

Set screw fastening provides holding and positioning of $\text{\O}1/2$ in. rods. Heavy duty construction for increased strength and rigidity.

All stainless steel for Hi-Temp and Corrosive applications



Material: 10 ga. stainless steel bracket and hex head bolt.

| Part Number | \O Rod (in.) |
|---------------------|-----------------------|
| VG-254B-S-12 | 1/2 |

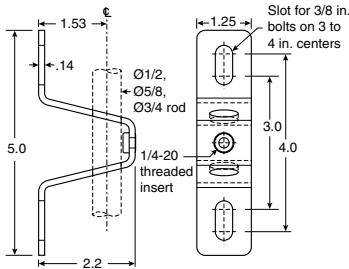
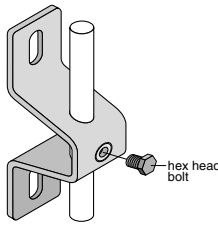
Rod not included.

253B

Bracket with Hex Head Bolt

Set screw fastening provides holding and positioning of $\text{\O}1/2$, $\text{\O}5/8$ and $\text{\O}3/4$ in. rods. Heavy duty construction for increased strength and rigidity.

All stainless steel for Hi-Temp and Corrosive applications



Material: 10 ga. stainless steel bracket and hex head bolt.

| Part Number | \O Rod (in.) |
|---------------------|-----------------------|
| VG-253B-S-12 | 1/2 |
| VG-253B-S-58 | 5/8 |
| VG-253B-S-34 | 3/4 |

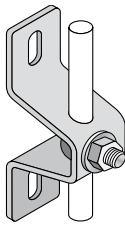
Rod not included.

253N

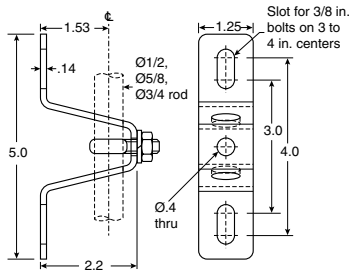
Bracket with Eyelet and Nut

Provides holding and positioning of $\text{\O}1/2$, $\text{\O}5/8$ and $\text{\O}3/4$ in. rods. Heavy duty construction for increased strength and rigidity.

All stainless steel for Hi-Temp and Corrosive applications



Eyelet does not mark rod surface!



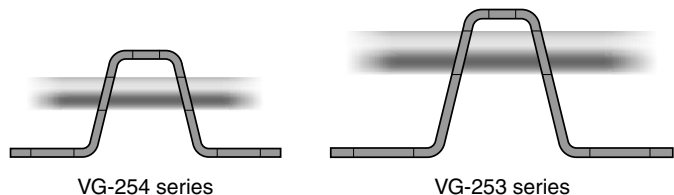
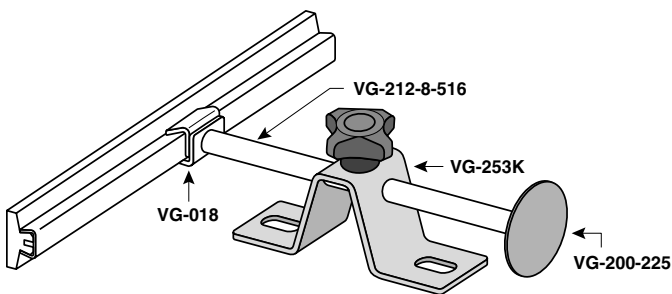
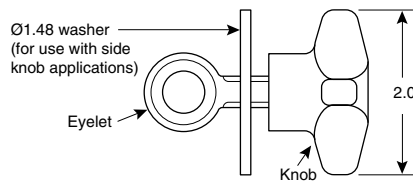
Material: 10 ga. stainless steel bracket. Stainless steel hardware.

| Part Number | \O Rod (in.) |
|---------------------|-----------------------|
| VG-253N-S-12 | 1/2 |
| VG-253N-S-58 | 5/8 |
| VG-253N-S-34 | 3/4 |

Rod not included.

Hand Knob Assembly

(eyelet, washer and knob)
Included with 253K bracket. Knob only is available as part no. VG-280K



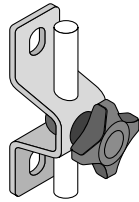


254K

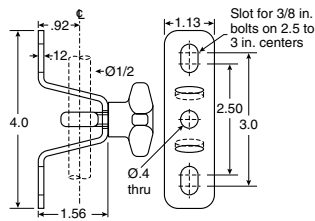


Small Bracket with Hand Knob

Provides holding and positioning of $\varnothing 1/2$ in. rods. Heavy duty construction for increased strength and rigidity.



Eyelet does not mark rod surface!



Material: 10 ga. stainless steel bracket. Stainless steel eyelet. Polyamide hand knob.

Part Number \varnothing Rod (in.)

VG-254K-S-12 **1/2**

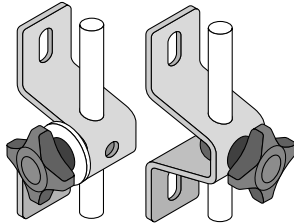
Rod not included.

253K

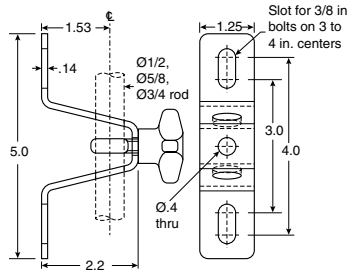


Bracket with Hand Knob

Provides holding and positioning of $\varnothing 1/2$, $\varnothing 5/8$ and $\varnothing 3/4$ in. rods. Heavy duty construction for increased strength and rigidity.



Eyelet does not mark rod surface!



Material: 10 ga. stainless steel bracket. Stainless steel eyelet. Polyamide hand knob.

Part Number \varnothing Rod (in.)

VG-253K-S-12 **1/2**

VG-253K-S-58 **5/8**

VG-253K-S-34 **3/4**

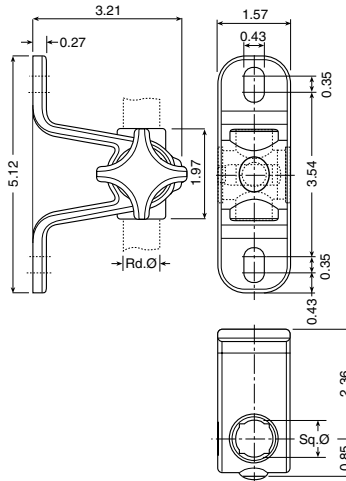
Rod not included.

33231



Bracket with Hand Knob

Knob fastening provides holding and positioning for rods. Heavy duty construction for increased strength and rigidity.



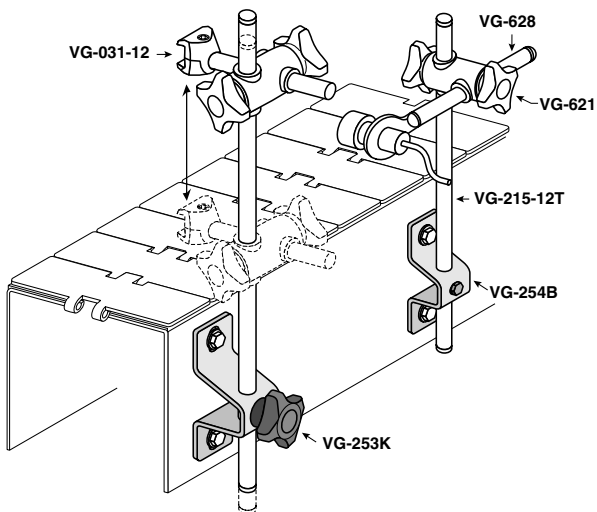
Material: Reinforced polyamide bracket and hand knob. Stainless steel eyelet and washer. Nickel plated brass insert.

Part Number \varnothing Rod \varnothing Rod

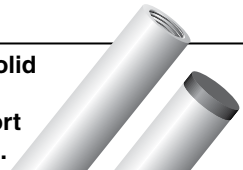
33231 **1/2** **7/16**

Rod not included.

Brackets & Positioning



See page 296 for solid adjusting rods or page 336 for support rods with end caps.



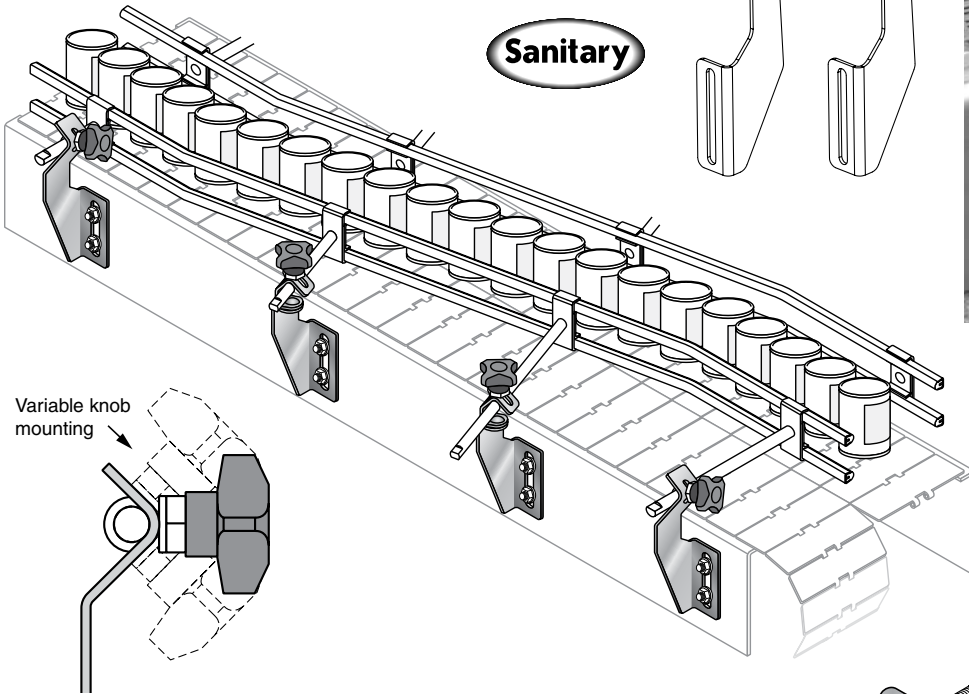
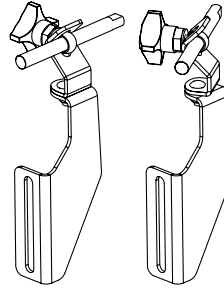


Stainless Steel Brackets

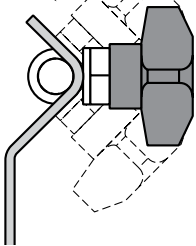
- Sanitary stainless steel construction
- Ideal for high temperature or corrosive environments
- Fixed or swivel versions
- Several sizes and shapes available

Hi-Temp
Resistant

Sanitary



Variable knob
mounting



Patented
Feature

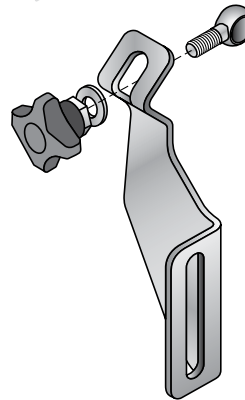
Patent #
6,189,685
6,669,009
6,752,260

Brackets &
Positioning

213-01

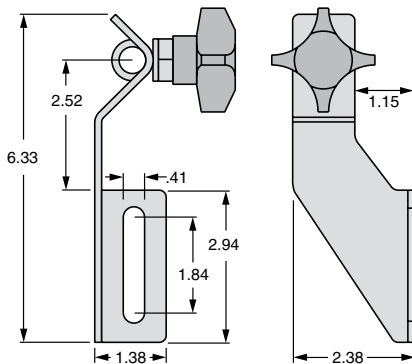
Stainless Steel Bracket

Guide rail support where lateral adjustment is needed. Sanitary design. Hi-temp. and corrosion resistant.

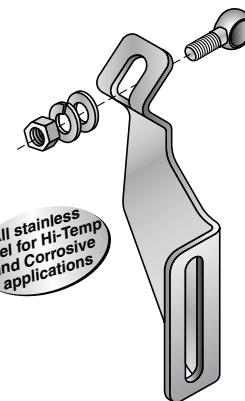


Material: Stainless steel
bracket, 11ga. Polyamide knob.

| Part Number | Ø Rod (in.) |
|--------------|-------------|
| VG-213-12-01 | 1/2" |
| VG-213-58-01 | 5/8" |



All stainless
steel for Hi-Temp
and Corrosive
applications



Material: Stainless steel
bracket, 11ga. Stainless nut.

| Part Number | Ø Rod (in.) |
|---------------|-------------|
| VG-213N-12-01 | 1/2" |
| VG-213N-58-01 | 5/8" |
| VG-213N-34-01 | 3/4" |

**SYSTEM
PLAST™**

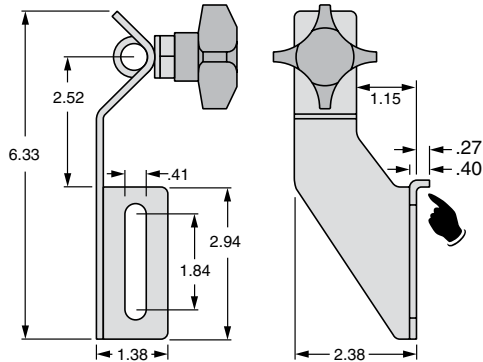
©2015 Regal-Beloit Corporation, All Rights Reserved.



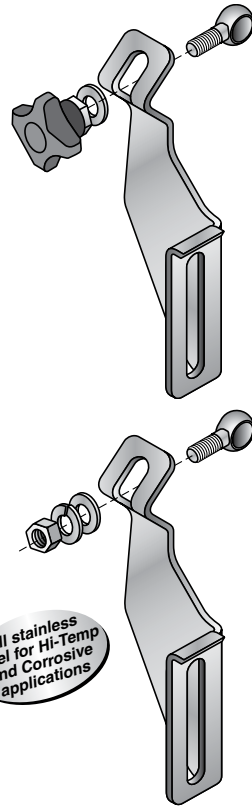
213T-01

Stainless Steel Bracket with Positioning Tab

Guide rail support where lateral adjustment is needed. Sanitary design. Hi-temp. and corrosion resistant.



Special Optional Feature! Brackets can be ordered with a positioning tab which allows for **one-bolt** mounting and helps to square the bracket with the conveyor.



Material: Stainless steel bracket, 11 ga. Polyamide knob.

| Part Number | Ø Rod (in.) |
|----------------------|-------------|
| VG-213T-12-01 | 1/2" |
| VG-213T-58-01 | 5/8" |

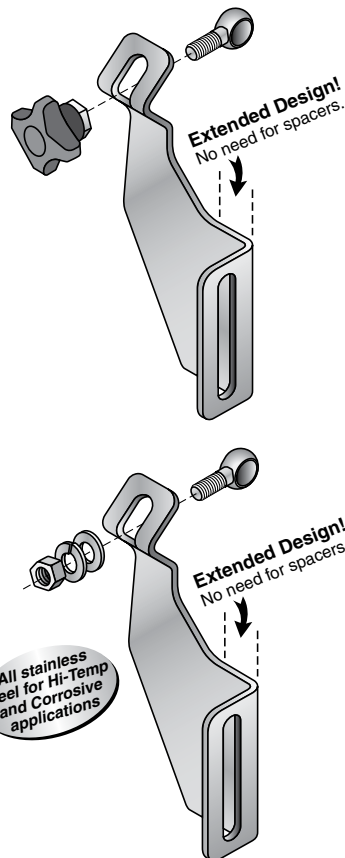
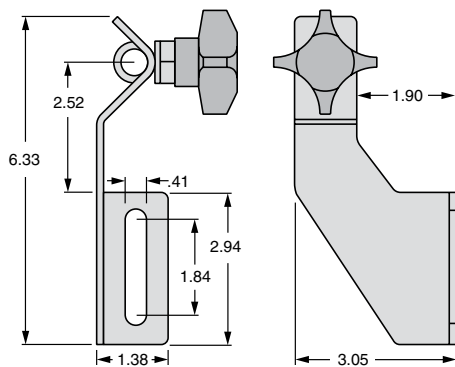
Material: Stainless steel bracket, 11 ga. Stainless nut.

| Part Number | Ø Rod (in.) |
|-----------------------|-------------|
| VG-213TN-12-01 | 1/2" |
| VG-213TN-58-01 | 5/8" |

213-02

Extended Stainless Steel Bracket

Guide rail support where lateral adjustment and setback spacing are needed. Sanitary design. Hi-temp. and corrosion resistant.



Material: Stainless steel bracket, 11 ga. Polyamide knob.

| Part Number | Ø Rod (in.) |
|---------------------|-------------|
| VG-213-12-02 | 1/2" |
| VG-213-58-02 | 5/8" |

Material: Stainless steel bracket, 11 ga. Stainless nut.

| Part Number | Ø Rod (in.) |
|----------------------|-------------|
| VG-213N-12-02 | 1/2" |

Brackets & Positioning

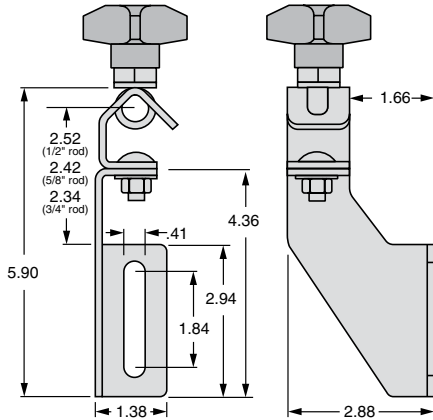


Stainless Steel Brackets

213R

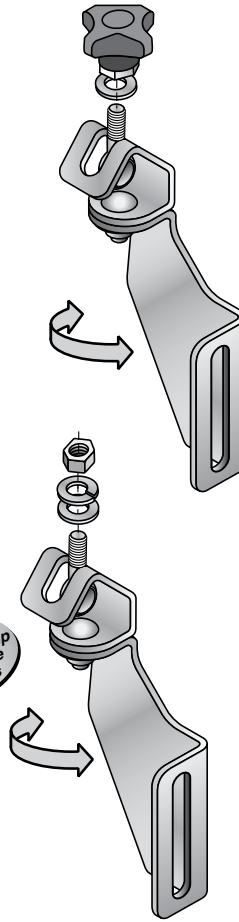
Rotating Stainless Steel Bracket

Guide rail support where lateral adjustment and rotation are needed. Sanitary design. Hi-temp. and corrosion resistant.



Patent #
6,189,685
6,543,608
6,669,009
6,752,260

All stainless steel for Hi-Temp and Corrosive applications



Material: Stainless steel bracket, 11ga. Polyamide knob.

| Part Number | Ø Rod (in.) |
|---------------|-------------|
| VG-213R-12-01 | 1/2" |
| VG-213R-58-01 | 5/8" |

Base Only

VG-213R-B

Material: Stainless steel bracket, 11ga. Stainless nut.

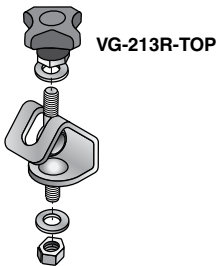
| Part Number | Ø Rod (in.) |
|----------------|-------------|
| VG-213RN-12-01 | 1/2" |
| VG-213RN-34-01 | 3/4" |

Base Only

VG-213R-B

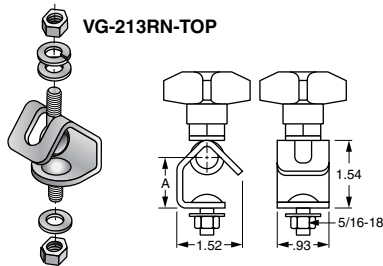


Brackets & Positioning



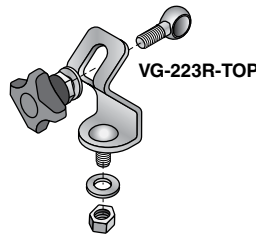
213R-TOP Rotating Top For Stainless Steel Bracket

| Part Number |
|----------------|
| VG-213R-TOP-12 |
| VG-213R-TOP-58 |
| VG-213R-TOP-34 |



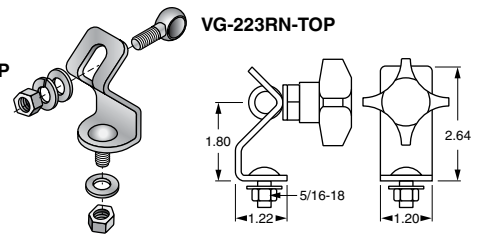
213RN-TOP Rotating Top with Nut Fastener For Stainless Steel Bracket

| Part Number | A | Dia. Rod |
|-----------------|------|----------|
| VG-213RN-TOP-12 | 1.13 | 1/2" |
| VG-213RN-TOP-58 | 1.03 | 5/8" |
| VG-213RN-TOP-34 | .95 | 3/4" |



223R-TOP Rotating Top For Heavy Duty Stainless Steel Bracket

| Part Number |
|----------------|
| VG-223R-TOP-12 |
| VG-223R-TOP-58 |
| VG-223R-TOP-34 |



223RN-TOP Rotating Top with Nut Fastener For Heavy Duty Stainless Steel Bracket

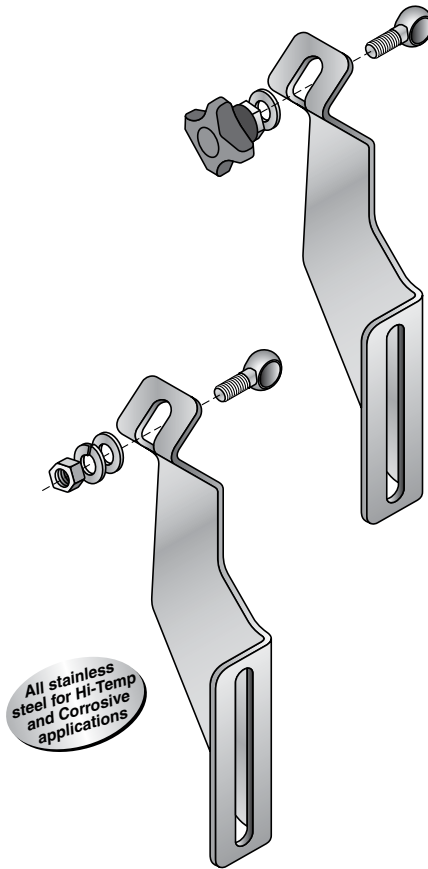
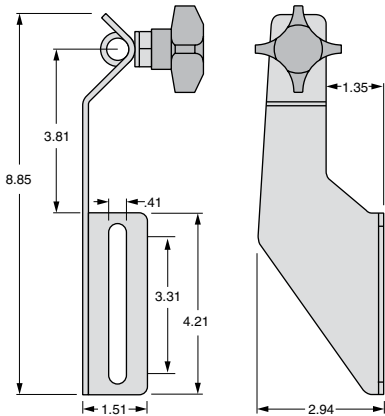
| Part Number | Diameter Rod |
|-----------------|--------------|
| VG-223RN-TOP-12 | 1/2" |
| VG-223RN-TOP-58 | 5/8" |
| VG-223RN-TOP-34 | 3/4" |



223-01

Heavy Duty, Stainless Steel Bracket

Guide rail support where lateral adjustment is needed. Sanitary design. Hi-temp. and corrosion resistant.



Patent #
6,189,685
6,669,009
6,752,260

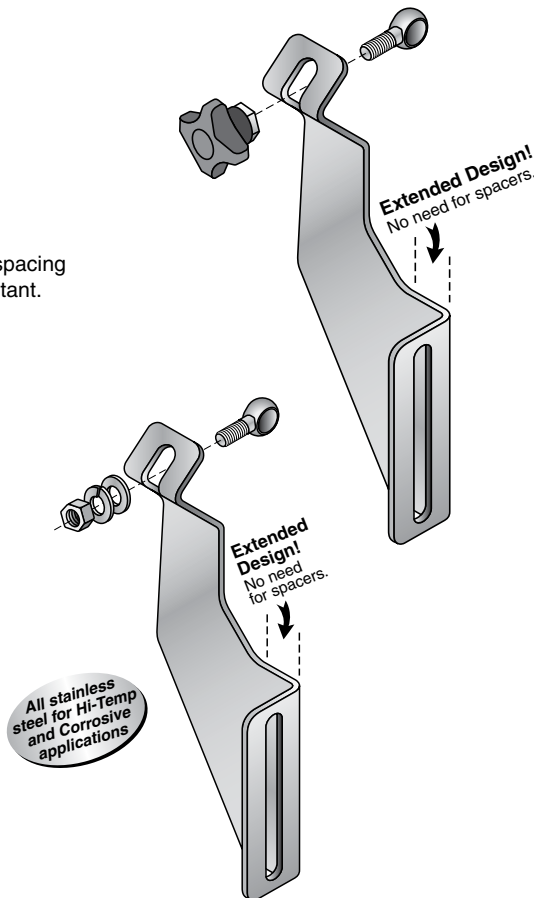
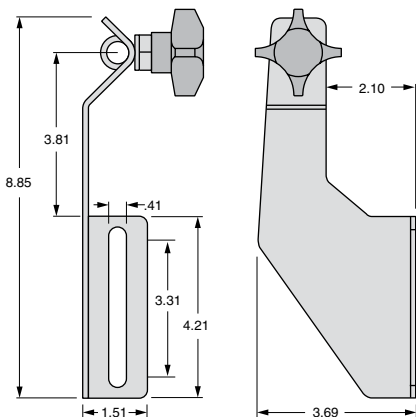
| | |
|---|-------------|
| Material: Stainless steel bracket, 11ga. Polyamide knob. | |
| Part Number | Ø Rod (in.) |
| VG-223-12-01 | 1/2" |
| VG-223-58-01 | 5/8" |
| VG-223-34-01 | 3/4" |

| | |
|--|-------------|
| Material: Stainless steel bracket, 11ga. Stainless nut. | |
| Part Number | Ø Rod (in.) |
| VG-223N-12-01 | 1/2" |
| VG-223N-34-01 | 3/4" |

223-02

Heavy Duty, Extended Stainless Steel Bracket

Guide rail support where lateral adjustment and setback spacing are needed. Sanitary design. Hi-temp. and corrosion resistant.



| | |
|---|-------------|
| Material: Stainless steel bracket, 11ga. Polyamide knob. | |
| Part Number | Ø Rod (in.) |
| VG-223-12-02 | 1/2" |
| VG-223-58-02 | 5/8" |
| VG-223-34-02 | 3/4" |

| | |
|--|-------------|
| Material: Stainless steel bracket, 11ga. Stainless nut. | |
| Part Number | Ø Rod (in.) |
| VG-223N-12-02 | 1/2" |
| VG-223N-58-02 | 5/8" |
| VG-223N-34-02 | 3/4" |

Brackets & Positioning



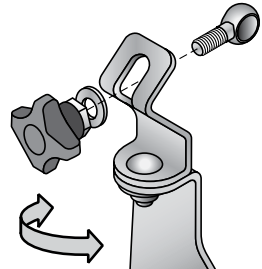
223R

Heavy Duty, Rotating Stainless Steel Bracket

Guide rail support where lateral adjustment is needed.
Sanitary design. Hi-temp. and corrosion resistant.



Patent #
6,189,685
6,543,608
6,669,009
6,752,260



Material: Stainless steel
bracket, 11 ga. Polyamide knob.

| Part Number | Ø Rod (in.) |
|---------------|-------------|
| VG-223R-12-01 | 1/2" |
| VG-223R-58-01 | 5/8" |
| VG-223R-34-01 | 3/4" |

Base Only

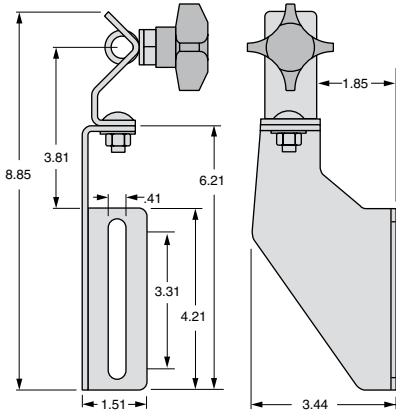
VG-223R-B

Material: Stainless steel
bracket, 11 ga. Stainless nut.

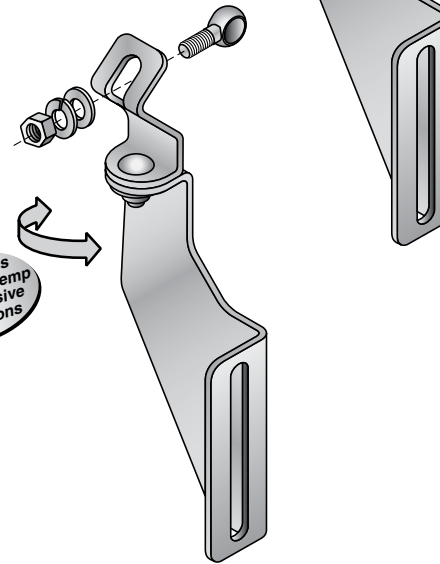
| Part Number | Ø Rod (in.) |
|----------------|-------------|
| VG-223RN-12-01 | 1/2" |
| VG-223RN-58-01 | 5/8" |
| VG-223RN-34-01 | 3/4" |

Base Only

VG-223R-B



All stainless
steel for Hi-Temp
and Corrosive
applications



Brackets &
Positioning

223F-01

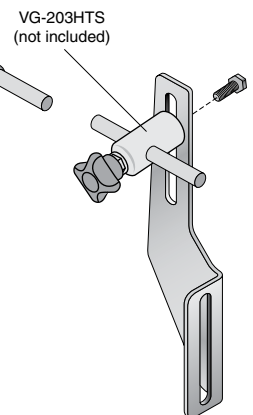
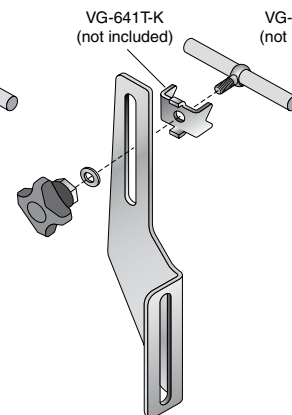
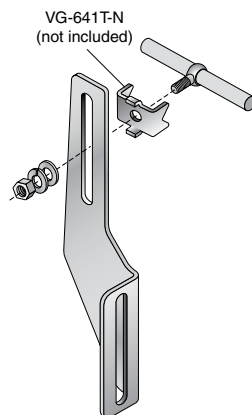
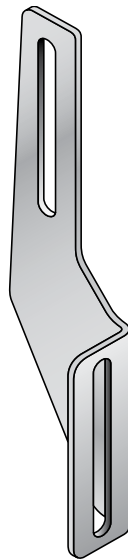
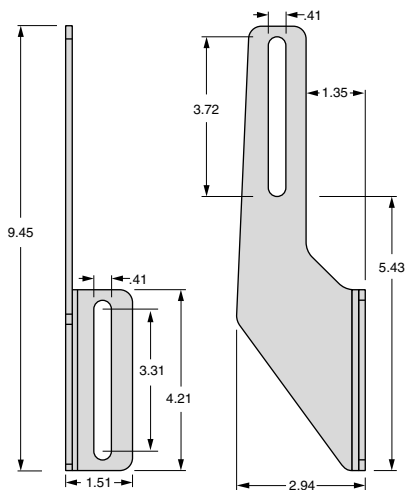
Heavy Duty, Stainless Steel Bracket with Flat Slot

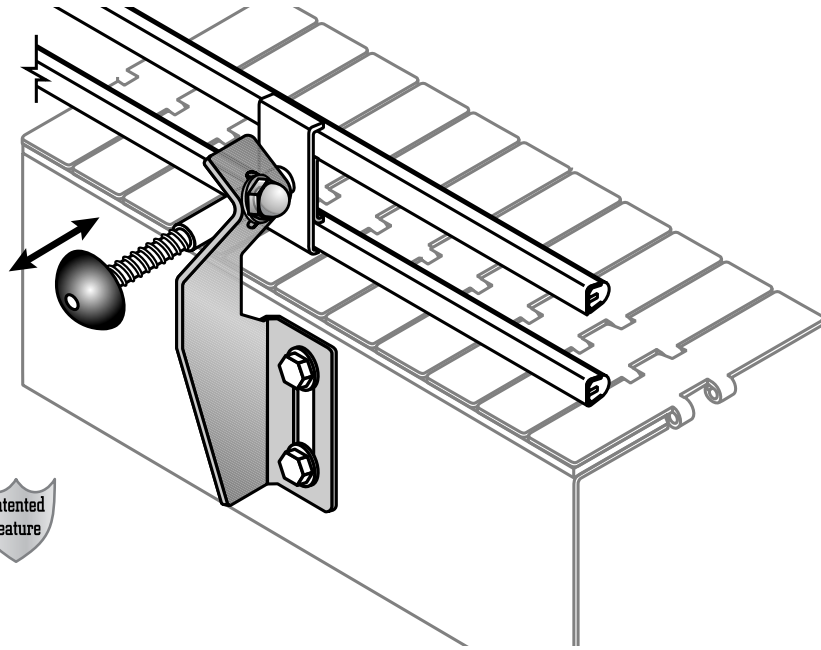
Sanitary design. Hi-temp. and corrosion resistant.
Can be used with various bracket heads or position-
ing devices (not included).

Material: Stainless steel, 11 ga.

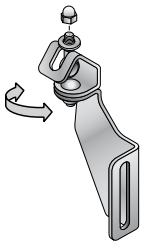
Part Number

VG-223F-01



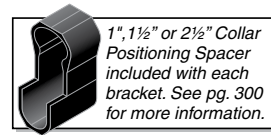


Patented Feature



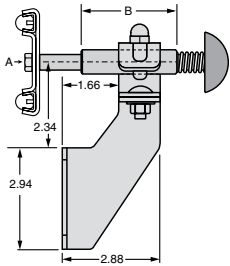
Swivel Top SpeedSet Brackets

This bracket is required for curves, lane changes, and combiner areas, and allows in and out adjustments of the rails at any angle relative to the conveyor. For additional bracket body specifications, see VG-213 on page 310 and VG-223 on page 313.

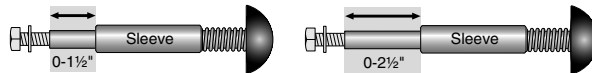


Materials: Stainless steel bracket, rod and spring assembly. PVC push knob.

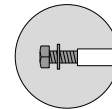
213RQ



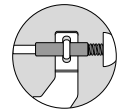
Adjustment Range (Travel):



| Part Number | Part Number | Tapped Rod Thread (A) | Sleeve Length (B) |
|--------------------|--------------------|-----------------------|-------------------|
| VG-213RQ-03-15-516 | | 5/16 | 3 |
| | VG-213RQ-05-25-516 | 5/16 | 5 |
| | VG-213RQ-05-25-38 | 3/8 | 5 |

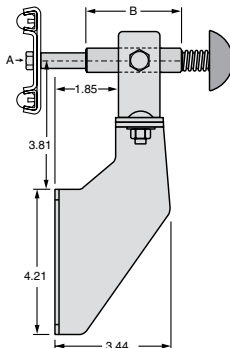


Tapped Rod Thread (A)



Sleeve Length (B)

223RQ



| Part Number | Part Number | Tapped Rod Thread (A) | Sleeve Length (B) |
|-------------------|--------------------|-----------------------|-------------------|
| VG-223RQ-03-15-38 | | 3/8 | 3 |
| | VG-223RQ-05-25-516 | 5/16 | 5 |
| VG-223RQ-05-15-38 | VG-223RQ-05-25-38 | 3/8 | 5 |

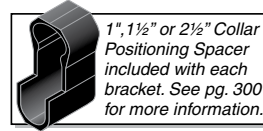
Brackets & Positioning



SpeedSet Metal Brackets

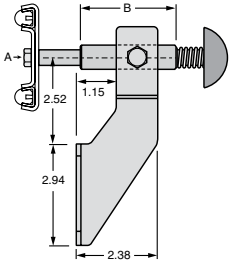
Fixed SpeedSet Brackets

Used for straight running conveyors, this bracket style allows only in and out adjustments at a right angle to the conveyor. For additional bracket body specifications, see VG-213 on page 310 and VG-223 on page 313.



Materials: Stainless steel bracket, rod and spring assembly. PVC push knob.

213Q

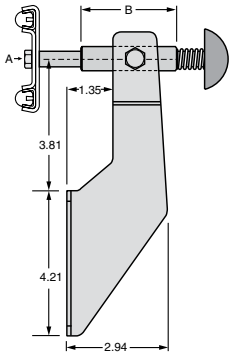


Adjustment Range (Travel):

| Part Number | Part Number | Part Number | Tapped Rod Thread (A) | Sleeve Length (B) |
|-------------|--------------------------|--------------------------|-----------------------|-------------------|
| 0-1" | 0-1 1/2" | 0-2 1/2" | | |
| | VG-213Q-03-15-516 | | 5/16 | 3 |
| | VG-213Q-03-15-38 | | 3/8 | 3 |
| | VG-213Q-05-15-516 | VG-213Q-05-25-516 | 5/16 | 5 |

223Q

Brackets & Positioning



| Part Number | Part Number | Part Number | Tapped Rod Thread (A) | Sleeve Length (B) |
|--------------------------|--------------------------|--------------------------|-----------------------|-------------------|
| VG-223Q-02-10-516 | | | 5/16 | 2 |
| | | | 3/8 | 2 |
| VG-223Q-03-10-516 | VG-223Q-03-15-516 | | 5/16 | 3 |
| | VG-223Q-03-15-38 | | 3/8 | 3 |
| VG-223Q-05-10-516 | VG-223Q-05-15-516 | VG-223Q-05-25-516 | 5/16 | 5 |
| | | VG-223Q-05-25-38 | 3/8 | 5 |



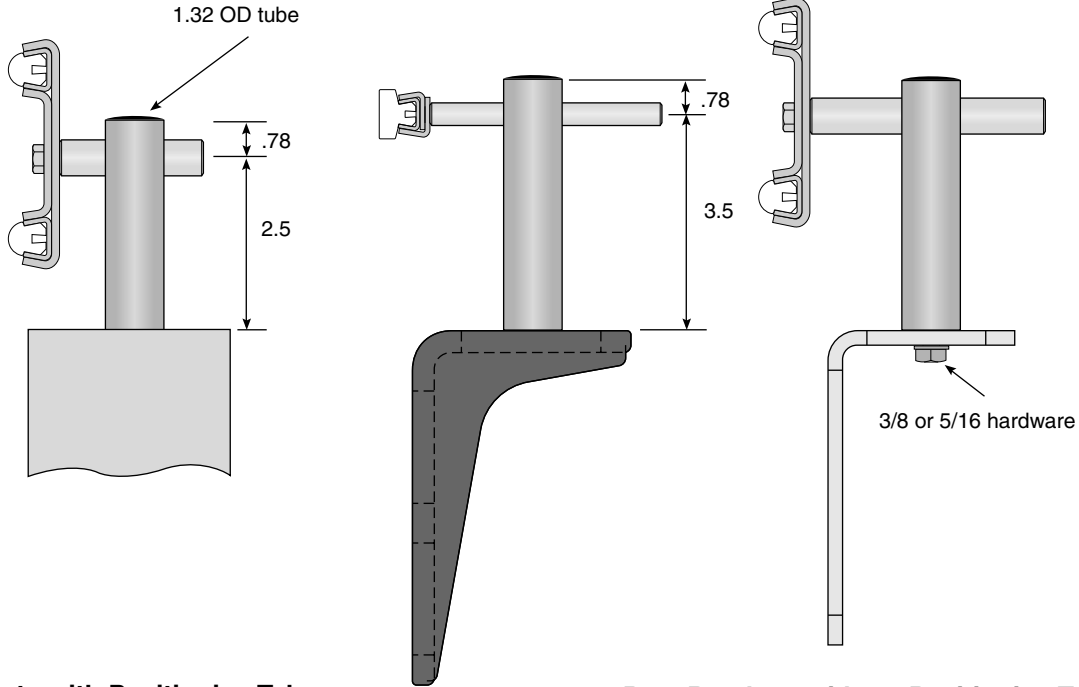
211

Post Brackets

This stainless steel bracket offers a clean, finished look while firmly holding guide rails in place. Post Brackets can be used alone or in combination with VG-205 or VG-245 angle brackets.

Available options:

- 2-1/2 or 3-1/2 inch height
- With or without positioning tabs
- 1/2, 5/8, or 3/4 inch pilot holes



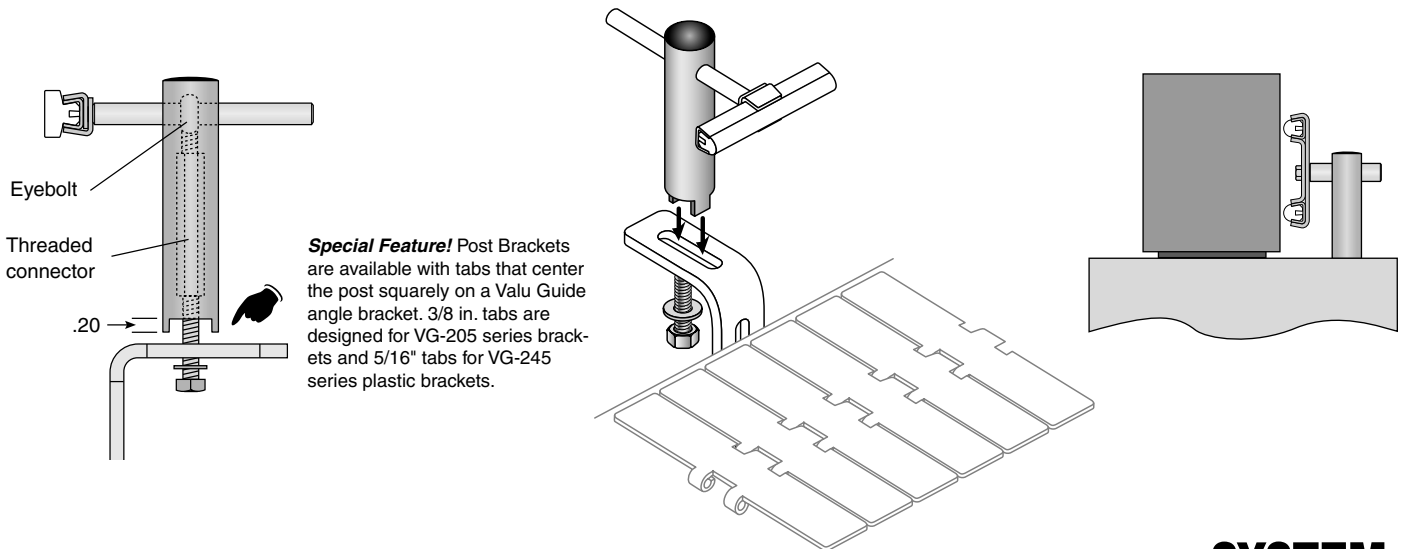
Post Brackets with Positioning Tabs

| Tab/Hdw. Size | Pilot Hole (in.) | 2.5 in. Height | 3.5 in. Height |
|---------------|------------------|----------------|----------------|
| 3/8 | 3/4 | VG-211T3-25-34 | VG-211T3-35-34 |
| 5/16 | 3/4 | VG-211T5-25-34 | VG-211T5-35-34 |
| 3/8 | 5/8 | VG-211T3-25-58 | VG-211T3-35-58 |
| 5/16 | 5/8 | VG-211T5-25-58 | |
| 3/8 | 1/2 | VG-211T3-25-12 | VG-211T3-35-12 |
| 5/16 | 1/2 | | VG-211T5-35-12 |

Post Brackets without Positioning Tabs

| Hdw. Size | Pilot Hole (in.) | 2.5 in. Height | 3.5 in. Height |
|-----------|------------------|----------------|----------------|
| 3/8 | 3/4 | VG-211-3-25-34 | VG-211-3-35-34 |
| 5/16 | 3/4 | VG-211-5-25-34 | VG-211-5-35-34 |
| 3/8 | 5/8 | VG-211-3-25-58 | VG-211-3-35-58 |
| 5/16 | 5/8 | VG-211-5-25-58 | VG-211-5-35-58 |
| 3/8 | 1/2 | VG-211-3-25-12 | VG-211-3-35-12 |
| 5/16 | 1/2 | VG-211-5-25-12 | VG-211-5-35-12 |

Brackets & Positioning





SpeedSet Post Brackets

211Q

SpeedSet Post Brackets

Combines the strength and appearance of post brackets with the innovative features of SpeedSet (page 298-300). SpeedSet Post Brackets can be used alone or in combination with VG-205 or VG-245 angle brackets.

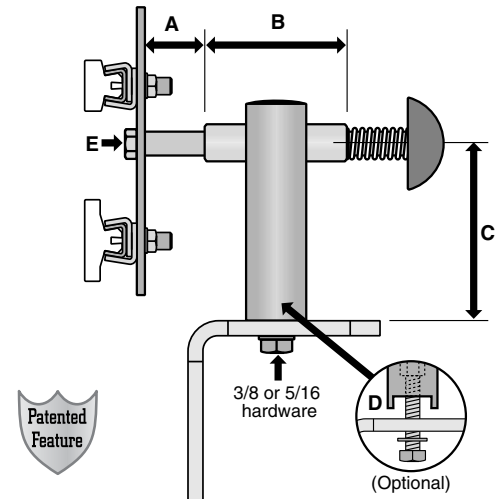
(A)
Range of piston rod travel:
1, 1-1/2 or 2-1/2 inches

(B)
Sleeve length:
2, 3, or 5 inches

(C)
Bracket Height:
2.5 or 3.5 inches

(D)
Optional Positioning Tabs:
3/8 and 5/16 inches

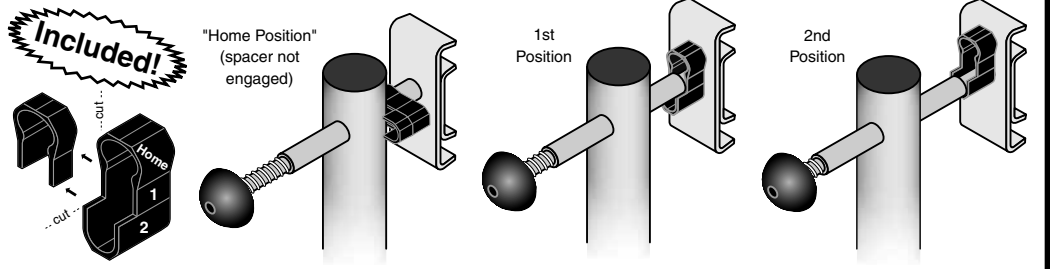
(E)
Rod end tap:
3/8-16 or 5/16-18 inches



Collar

Positioning Spacer

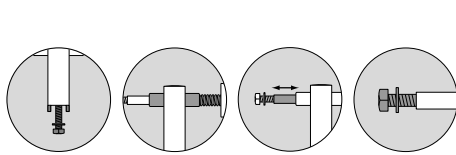
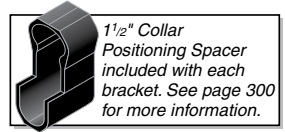
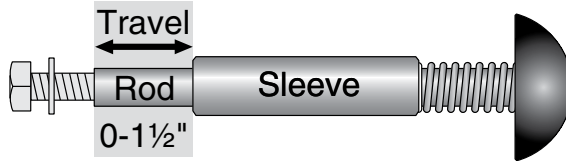
Included with each SpeedSet post bracket is a single spacer that can accommodate 2 positioning lengths in addition to the "Home Position" by cutting as shown. Spacer length corresponds to the length of travel.



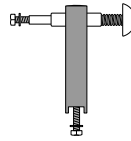
Brackets & Positioning



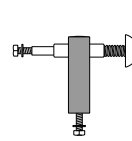
Adjustment Range (Travel), 0 thru 1½ inches



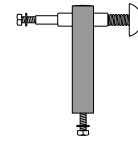
Tab/Hdw. Size (in.) Sleeve Length (in.) Travel (in.) Rod Tap (in.)



With Tabs
3.5 in. Height
Part Number



Without Tabs
2.5 in. Height
Part Number



Without Tabs
3.5 in. Height
Part Number

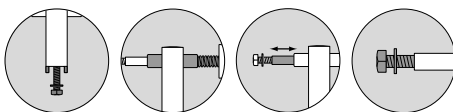
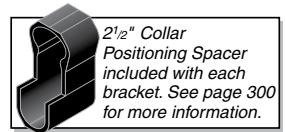
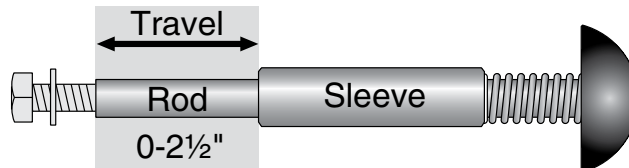
3 inch sleeves

| | | | | | | |
|------|---|-----|------|------------------------|------------------------|------------------------|
| 3/8 | 3 | 1.5 | 3/8 | | | VG-211Q-3-35-03-15-38 |
| 3/8 | 3 | 1.5 | 5/16 | | | VG-211Q-3-35-03-15-516 |
| 5/16 | 3 | 1.5 | 3/8 | VG-211QT3-35-03-15-38 | VG-211Q-5-25-03-15-38 | |
| 5/16 | 3 | 1.5 | 5/16 | VG-211QT5-35-03-15-516 | VG-211Q-5-25-03-15-516 | VG-211Q-5-35-03-15-516 |

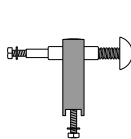
5 inch sleeves

| | | | | | | |
|------|---|-----|------|------------------------|------------------------|------------------------|
| 3/8 | 5 | 1.5 | 3/8 | VG-211QT3-35-05-15-38 | VG-211Q-3-25-05-15-38 | VG-211Q-3-35-05-15-38 |
| 3/8 | 5 | 1.5 | 5/16 | VG-211QT3-35-05-15-516 | | VG-211Q-3-35-05-15-516 |
| 5/16 | 5 | 1.5 | 5/16 | VG-211QT5-35-05-15-516 | VG-211Q-5-25-05-15-516 | VG-211Q-5-35-05-15-516 |

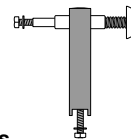
Adjustment Range (Travel), 0 thru 2½ inches



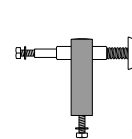
Tab/Hdw. Size (in.) Sleeve Length (in.) Travel (in.) Rod Tap (in.)



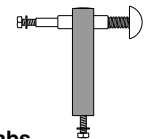
With Tabs
2.5 in. Height
Part Number



Without Tabs
3.5 in. Height
Part Number



Without Tabs
2.5 in. Height
Part Number



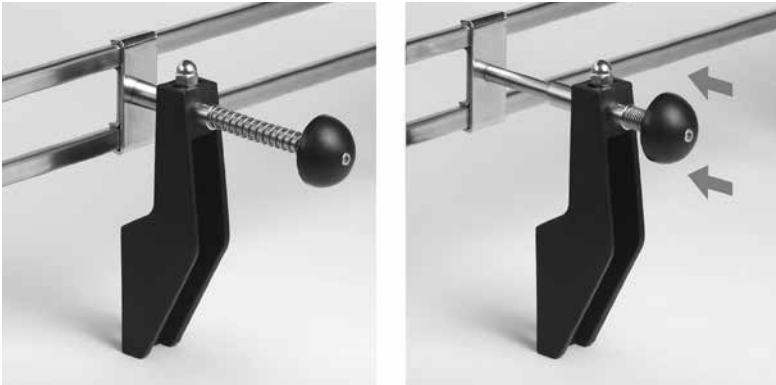
Without Tabs
3.5 in. Height
Part Number

5 inch sleeves

| | | | | | | | |
|------|---|-----|------|------------------------|------------------------|------------------------|------------------------|
| 3/8 | 5 | 2.5 | 3/8 | | VG-211QT3-35-05-25-38 | VG-211Q-3-25-05-25-38 | VG-211Q-3-35-05-25-38 |
| 3/8 | 5 | 2.5 | 5/16 | VG-211QT3-25-05-25-516 | VG-211QT3-35-05-25-516 | VG-211Q-3-25-05-25-516 | VG-211Q-3-35-05-25-516 |
| 5/16 | 5 | 2.5 | 3/8 | VG-211QT5-25-05-25-38 | VG-211QT5-35-05-25-38 | | VG-211Q-5-35-05-25-38 |
| 5/16 | 5 | 2.5 | 5/16 | | VG-211QT5-35-05-25-516 | VG-211Q-5-25-05-25-516 | VG-211Q-5-35-05-25-516 |

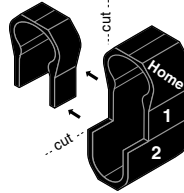
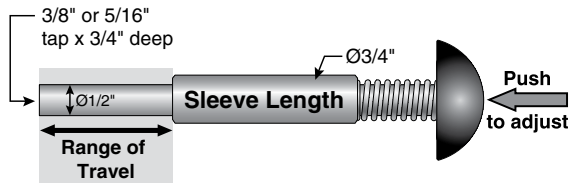
Brackets & Positioning

SpeedSet Cartridges



SpeedSet Cartridges

SpeedSet Cartridges solve conveyor line change problems... quickly. Use SpeedSet for preset conveyor guide rail adjustability that is fast and accurate without the need for tools. SpeedSet is fast because a simple push on the end knob moves the rod, clamp, and guide rail. SpeedSet is accurate due to the innovative positioning spacer design. Cartridges are available as part of bracket assemblies within this catalog, or choose from stand alone cartridges on this page. The SpeedSet Cartridge rod sleeve must be firmly held in position for proper operation.



Included with each SpeedSet Cartridge!

Q-10

SpeedSet Cartridge,
0-1" Travel

| Range of Travel | Sleeve Length | Tapped Rod Thread | Part Number |
|-----------------|---------------|-------------------|----------------|
| 0-1" | 2" | 5/16 | VG-Q-02-10-516 |
| | 3" | 5/16 | VG-Q-03-10-516 |
| | 5" | 5/16 | VG-Q-05-10-516 |
| 0-1.5" | 3" | 5/16 | VG-Q-03-15-516 |
| | 5" | 3/8 | VG-Q-05-15-516 |
| | 5" | 3/8 | VG-Q-05-15-38 |
| 0-2.5" | 5" | 5/16 | VG-Q-05-25-516 |
| | 5" | 3/8 | VG-Q-05-25-38 |

Q-15

SpeedSet Cartridge,
0-1.5" Travel

Q-25

SpeedSet Cartridge,
0-2.5" Travel

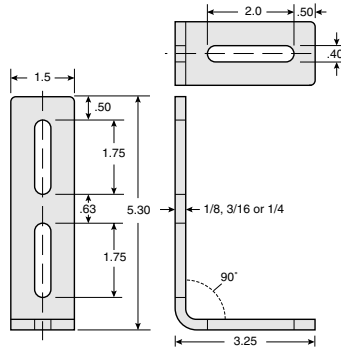


**SYSTEM
PLAST™**

Individual Metal "L" Brackets

205-A

Long
Angle Bracket
(Double Slot)

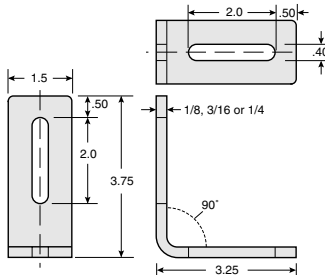


Material: Bracket is zinc plated or polished stainless steel.

| Part Number | Stainless | Plated | Thickness |
|----------------|-----------|--------|-----------|
| VG-205-A-18-P | | • | 1/8 |
| VG-205-A-18-S | • | | 1/8 |
| VG-205-A-316-P | | • | 3/16 |
| VG-205-A-316-S | • | | 3/16 |
| VG-205-A-14-P | | • | 1/4 |
| VG-205-A-14-S | • | | 1/4 |

205-B

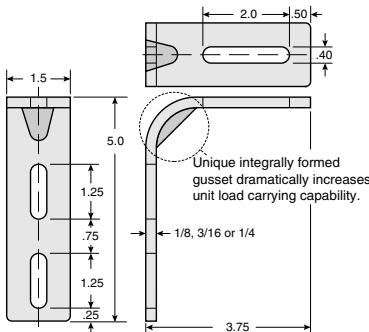
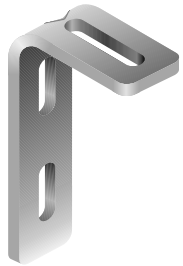
Standard
Angle Bracket



| Part Number | Stainless | Plated | Thickness |
|----------------|-----------|--------|-----------|
| VG-205-B-18-P | | • | 1/8 |
| VG-205-B-18-S | • | | 1/8 |
| VG-205-B-316-P | | • | 3/16 |
| VG-205-B-316-S | • | | 3/16 |
| VG-205-B-14-P | | • | 1/4 |
| VG-205-B-14-S | • | | 1/4 |

205-C

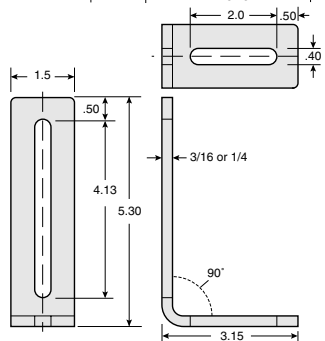
Gusseted
Angle Bracket



| Part Number | Stainless | Plated | Thickness |
|----------------|-----------|--------|-----------|
| VG-205-C-18-P | | • | 1/8 |
| VG-205-C-316-P | | • | 3/16 |
| VG-205-C-316-S | • | | 3/16 |
| VG-205-C-14-P | | • | 1/4 |
| VG-205-C-14-S | • | | 1/4 |

205-D

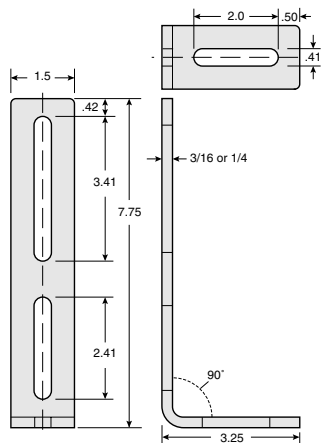
Long
Angle Bracket
(Single slot)



| Part Number | Stainless | Plated | Thickness |
|----------------|-----------|--------|-----------|
| VG-205-D-316-P | | • | 3/16 |
| VG-205-D-316-S | • | | 3/16 |
| VG-205-D-14-P | | • | 1/4 |
| VG-205-D-14-S | • | | 1/4 |

205-E

Long
Angle Bracket
(Double slot)



| Part Number | Stainless | Plated | Thickness |
|----------------|-----------|--------|-----------|
| VG-205-E-316-P | | • | 3/16 |
| VG-205-E-316-S | • | | 3/16 |
| VG-205-E-14-P | | • | 1/4 |
| VG-205-E-14-S | • | | 1/4 |

Matches 8" and 10" bead guide bolt hole patterns

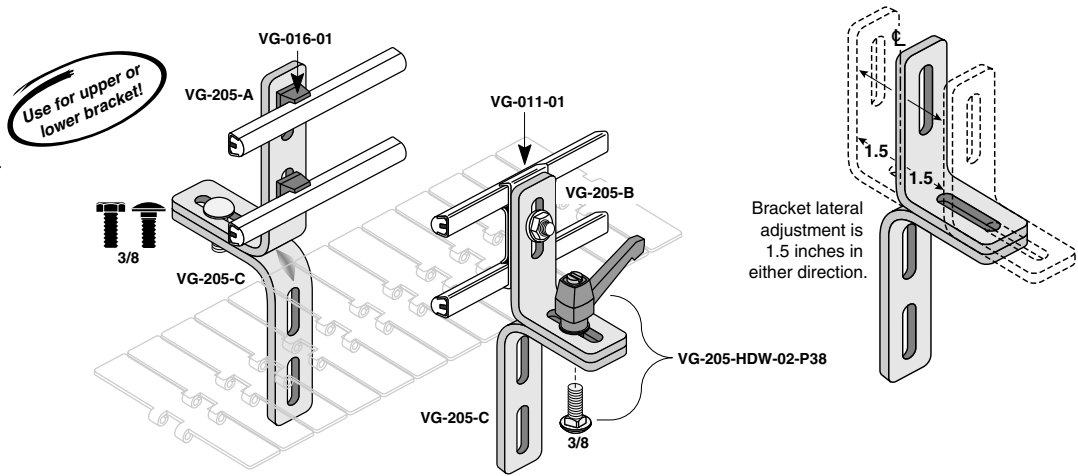
Note: Dimensions shown are nominal for 1/4 inch thick brackets.

Brackets & Positioning

Metal "L" Bracket Assemblies

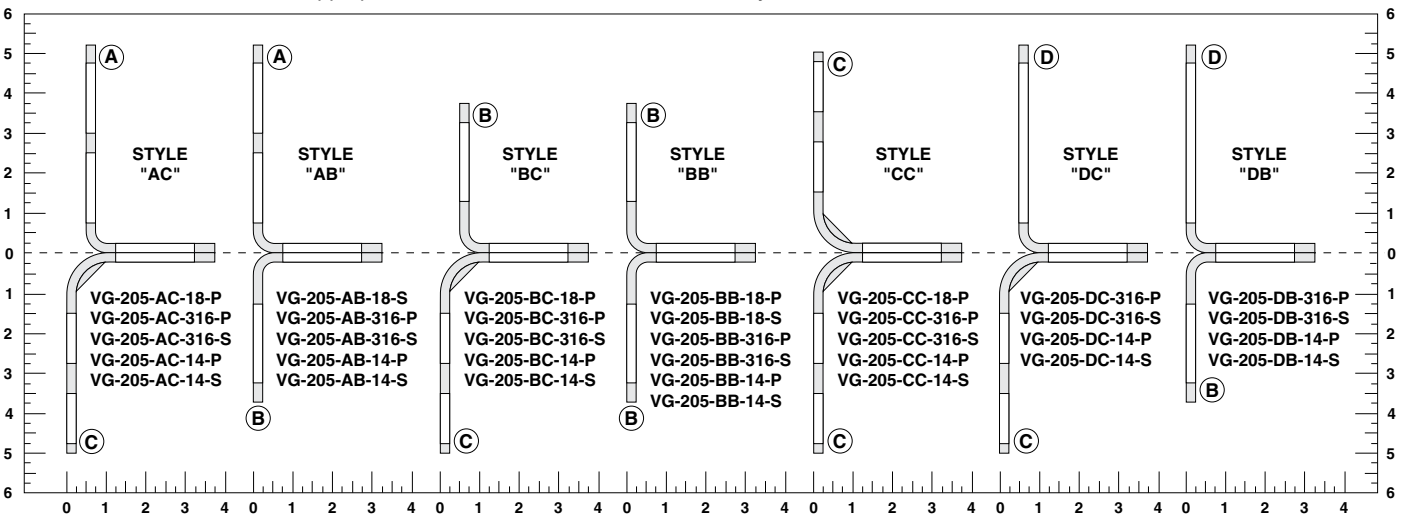
Metal "L" Brackets

Adjustable metal bracket that fits most every application and cost requirement. Available in five different styles each with various metal thicknesses for light to heavy duty needs. The taller top angle, with single or double slots, provides increased rail adjustability. The 3 inch high VG-205-B may be used as a lower cost base angle or as a top angle where a shorter range of height adjustability is acceptable.



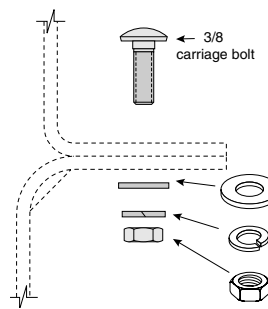
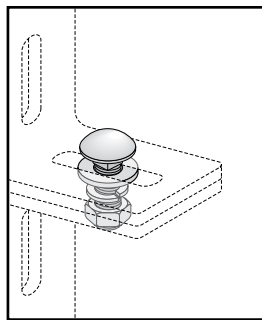
Standard Metal "L" Bracket Assemblies

All bracket assemblies include appropriate VG-205-HDW-03 hardware assembly.



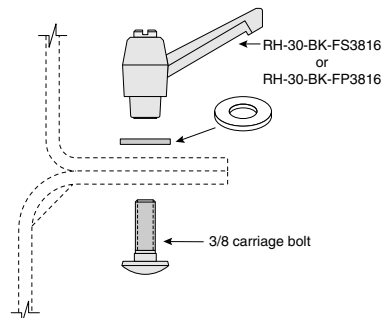
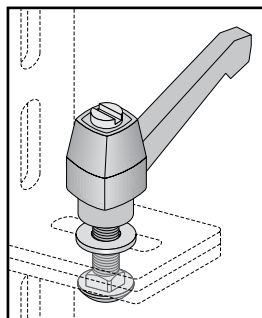
To order: Determine the style required from the chart above then select the part number based on the material type and thickness. Example: VG-205-AB-316-P = A top / B bottom, 3/16 inch thick material, zinc plated.

This hardware kit is included with 205 Bracket Assemblies shown above.

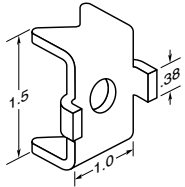


| Part Number | Material |
|-------------------|----------|
| VG-205-HDW-03-P38 | P |
| VG-205-HDW-03-S38 | S |

Optional Hardware Kit



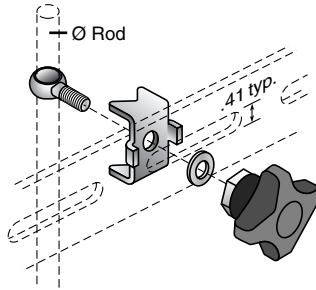
| Part Number | Material |
|-------------------|----------|
| VG-205-HDW-02-P38 | P |
| VG-205-HDW-02-S38 | S |



641T

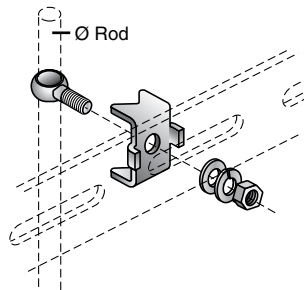
Rod Mounts

Used for conveyor lane dividing applications or other rod adjustment situations. Positioning tabs lock the rod to bracket slots at 90°.



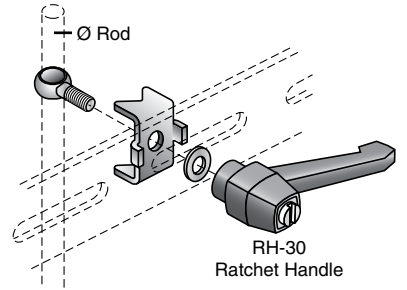
Material: Stainless steel.
Black nylon knob.

| Part Number | Ø Rod |
|--------------|-------|
| VG-641T-K-12 | 1/2 |
| VG-641T-K-58 | 5/8 |
| VG-641T-K-34 | *3/4 |



Material: Stainless steel.
Stainless steel hardware.

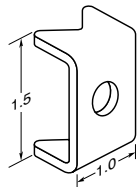
| Part Number | Ø Rod |
|--------------|-------|
| VG-641T-N-12 | 1/2 |
| VG-641T-N-58 | 5/8 |
| VG-641T-N-34 | *3/4 |



Material: Stainless steel.
Black nylon ratchet handle.

| Part Number | Ø Rod |
|--------------|-------|
| VG-641T-R-12 | 1/2 |
| VG-641T-R-58 | 5/8 |
| VG-641T-R-34 | *3/4 |

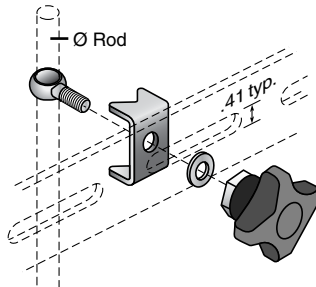
* Ø3/4 versions can be converted to SpeedSet brackets.



641

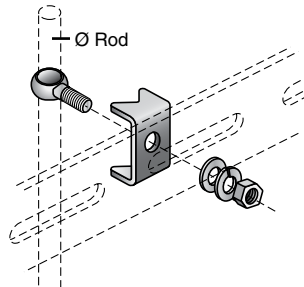
Rod Mounts

Used for conveyor lane dividing applications or other rod adjustment situations. Rod can be rotated to any angle desired.



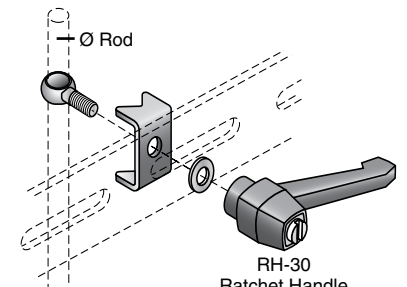
Material: Stainless steel.
Black nylon knob.

| Part Number | Ø Rod |
|-------------|-------|
| VG-641-K-12 | 1/2 |
| VG-641-K-58 | 5/8 |
| VG-641-K-34 | *3/4 |



Material: Stainless steel.
Stainless steel hardware.

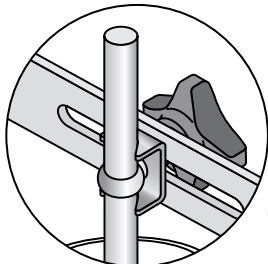
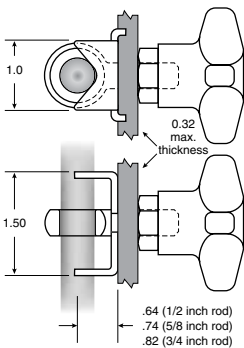
| Part Number | Ø Rod |
|-------------|-------|
| VG-641-N-12 | 1/2 |
| VG-641-N-58 | 5/8 |
| VG-641-N-34 | *3/4 |



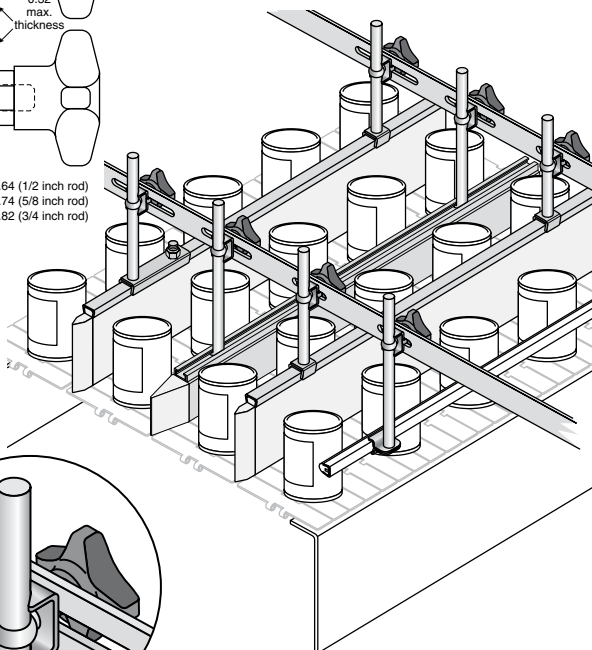
Material: Stainless steel.
Black nylon ratchet handle.

| Part Number | Ø Rod |
|-------------|-------|
| VG-641-R-12 | 1/2 |
| VG-641-R-58 | 5/8 |
| VG-641-R-34 | *3/4 |

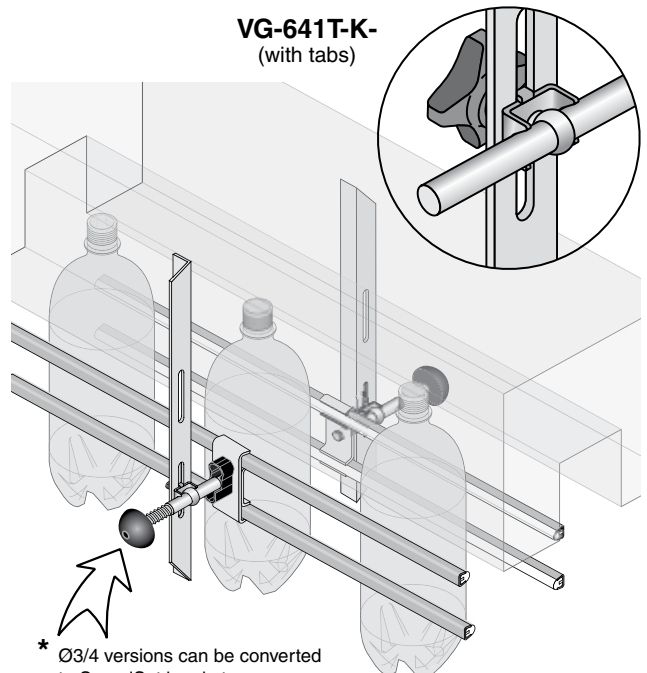
* Ø3/4 versions can be converted to SpeedSet brackets.



VG-641-K-
(without tabs)



VG-641T-K-
(with tabs)



* Ø3/4 versions can be converted to SpeedSet brackets.

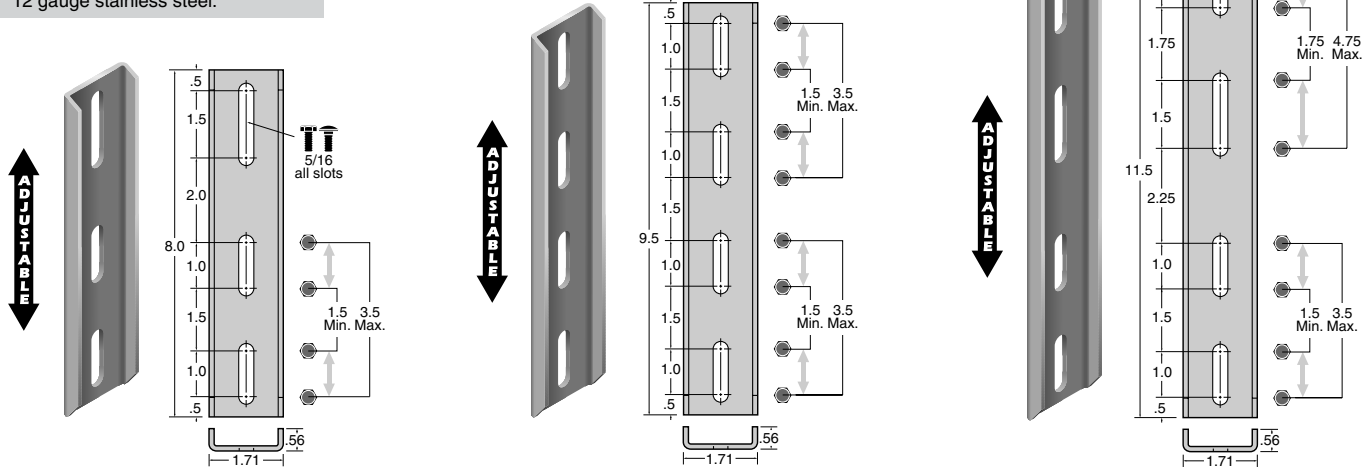
Brackets & Positioning

Fixed Guide Rail Brackets and Support Bars

201

Fixed Guide Rail Bracket

Material: Bracket is zinc plated or 12 gauge stainless steel.



| Part Number | Stainless | Plated | Length |
|-------------|-----------|--------|--------|
| VG-201-P08 | | • | 8 |
| VG-201-S08 | • | | 8 |

| Part Number | Stainless | Plated | Length |
|-------------|-----------|--------|--------|
| VG-201-P095 | | • | 9.5 |
| VG-201-S095 | • | | 9.5 |

| Part Number | Stainless | Plated | Length |
|-------------|-----------|--------|--------|
| VG-201-P115 | | • | 11.5 |
| VG-201-S115 | • | | 11.5 |

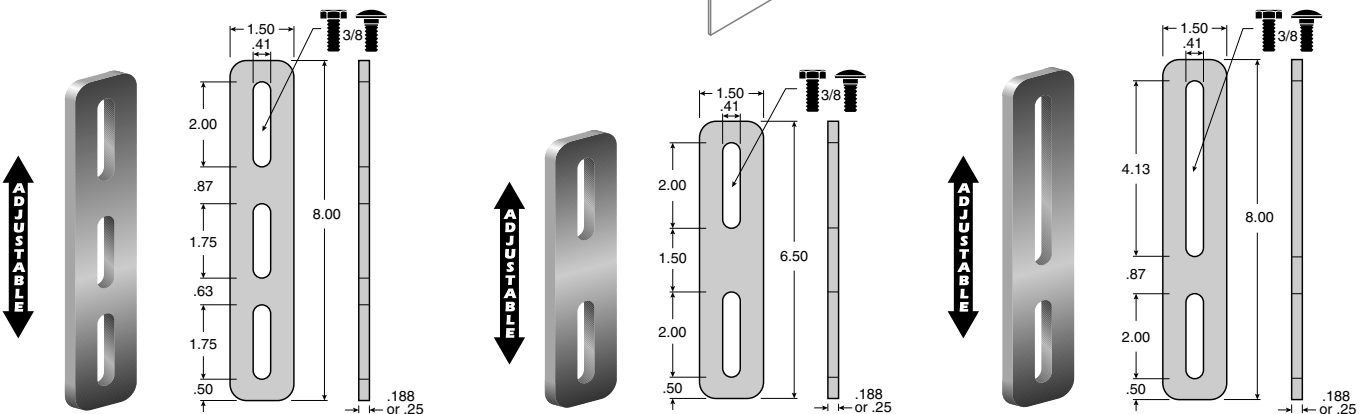
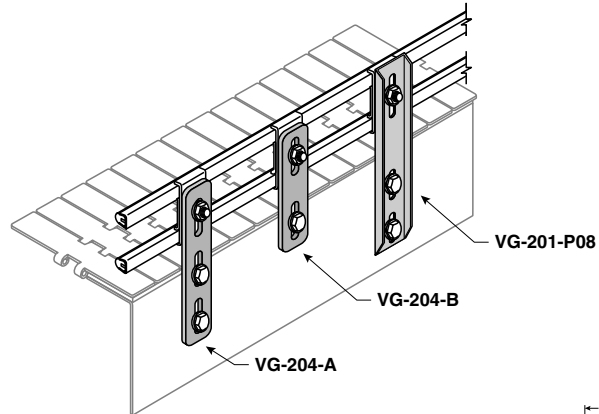
204

Adjustable Support Bar

Support for guide rail. The new 204-D series support bar features an extended slot for greater adjustability.

Material: Bracket is zinc plated or polished stainless steel.

Brackets & Positioning



| Part Number | Stainless | Plated | Thickness | Length |
|---------------|-----------|--------|-----------|--------|
| VG-204-A316-P | | • | 3/16 | 8 |
| VG-204-A316-S | • | | 3/16 | 8 |
| VG-204-A14-P | | • | 1/4 | 8 |
| VG-204-A14-S | • | | 1/4 | 8 |

| Part Number | Stainless | Plated | Thickness | Length |
|---------------|-----------|--------|-----------|--------|
| VG-204-B316-P | | • | 3/16 | 6.5 |
| VG-204-B316-S | • | | 3/16 | 6.5 |
| VG-204-B14-P | | • | 1/4 | 6.5 |
| VG-204-B14-S | • | | 1/4 | 6.5 |

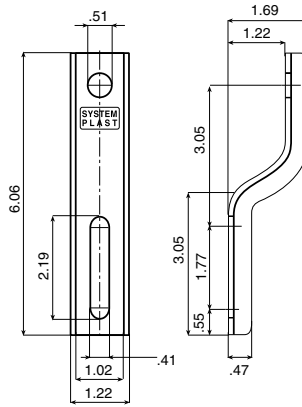
| Part Number | Stainless | Plated | Thickness | Length |
|---------------|-----------|--------|-----------|--------|
| VG-204-D316-P | | • | 3/16 | 8 |
| VG-204-D316-S | • | | 3/16 | 8 |
| VG-204-D14-P | | • | 1/4 | 8 |
| VG-204-D14-S | • | | 1/4 | 8 |



13809

Fixed Side Guide Bracket

For supporting side guides.



Material: Stainless steel.

Part Number

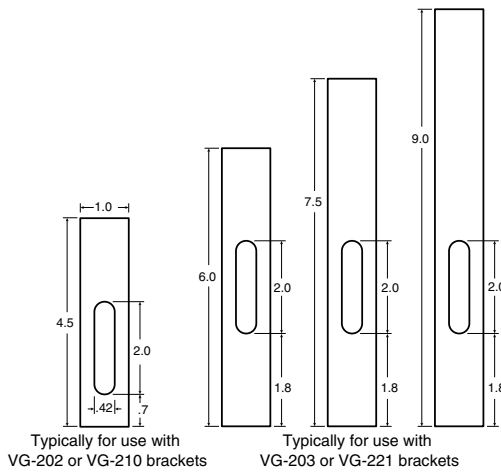
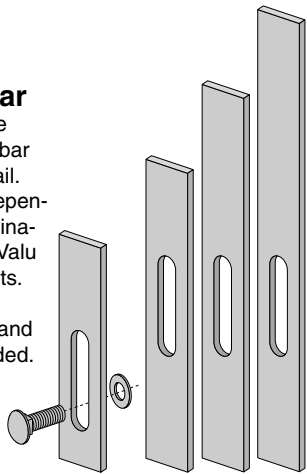
13809

204F

Mounting Bar

Versatile and time saving mounting bar positions guide rail. Can be used independently or in combination with various Valu Guide components.

3/8 carriage bolt and washer are included.



Material: Stainless steel, 3/16 x 1 inch.

Part Number

Length

VG-204F-45-316S

4.5

VG-204F-60-316S

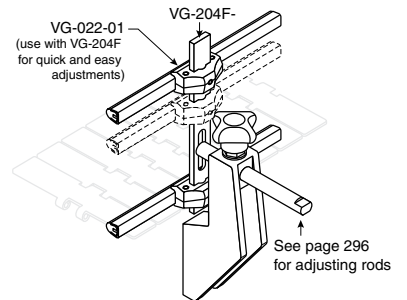
6.0

VG-204F-75-316S

7.5

VG-204F-90-316S

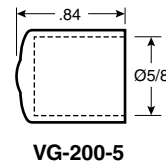
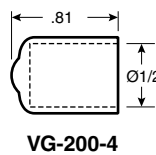
9.0



200

Adjusting Rod Protective Caps

Can be used on all VG-020, VG-212 and VG-232 adjusting rods.



Material: Yellow (Y) or red (R) PVC.

Part Number

Color

Ø Rod

VG-200-4Y

Y

1/2

VG-200-4R

R

1/2

VG-200-5Y

Y

5/8

VG-200-5R

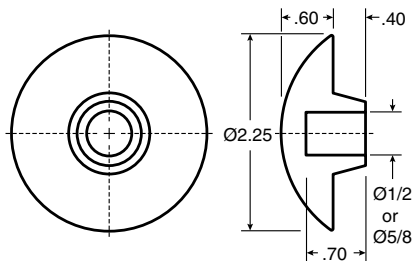
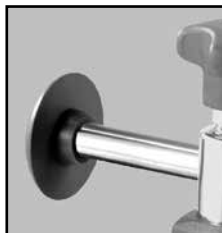
R

5/8

200-225

Safety Cap

Provides personnel protection from exposed rod ends.



Material: Black rubber.

Part Number

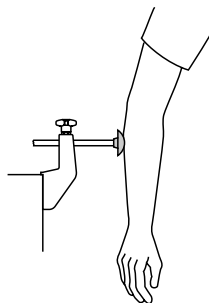
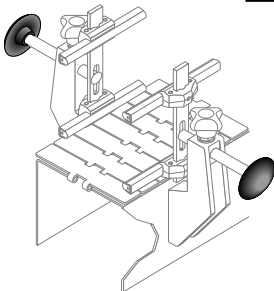
Ø Rod

VG-200-225-12-B

1/2

VG-200-225-58-B

5/8

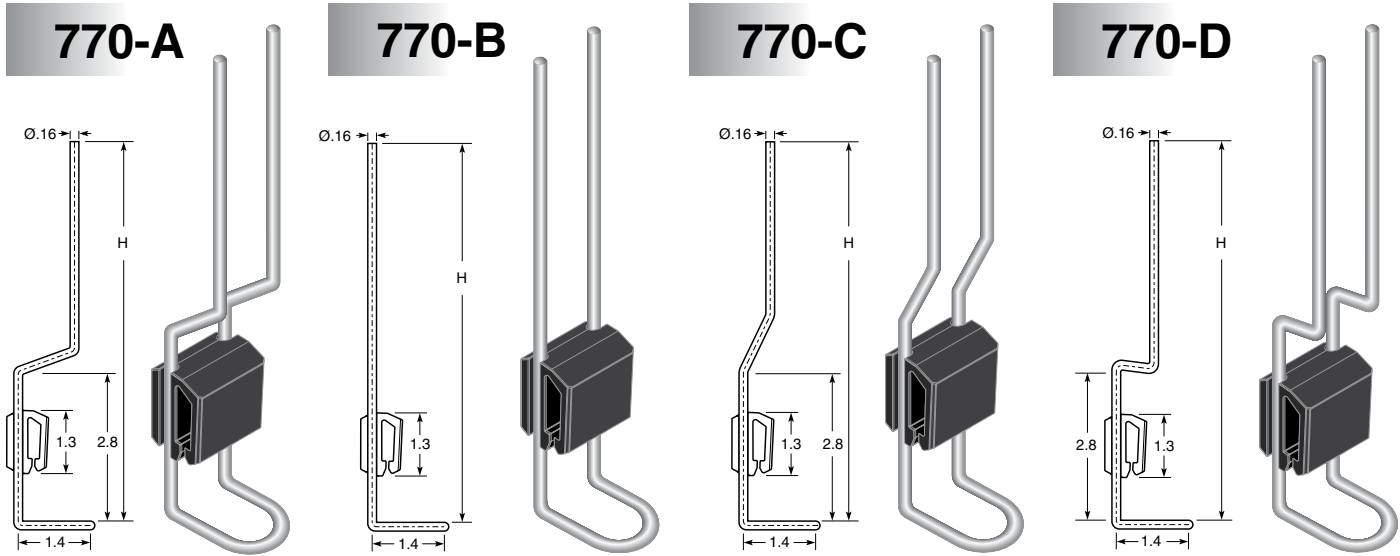


Brackets & Positioning



Drip Pan Holders

System Plast introduces a complete line of Drip Pan Holders in a variety of configurations to accommodate most applications. Made of stainless steel and polyamide, these components are fully adjustable corrosion resistant.



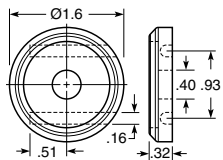
Material: Polyamide spacer block with stainless steel wire holder.

| Part Number | H (in.) | Part Number | H (in.) | Part Number | H (in.) | Part Number | H (in.) |
|---------------|---------|---------------|---------|---------------|---------|---------------|---------|
| VG-770-A-L250 | 10 | VG-770-B-L250 | 10 | VG-770-C-L180 | 7 | VG-770-D-L180 | 7 |
| VG-770-A-L300 | 12 | | | VG-770-C-L250 | 10 | VG-770-D-L300 | 12 |

Brackets & Positioning

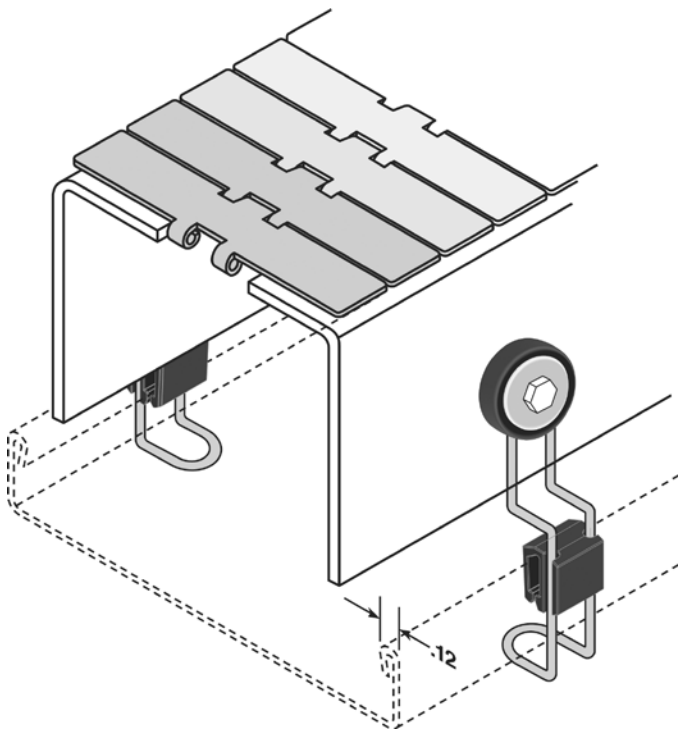
771

Drip Pan Mounting Washer



Material: Polyamide plate with stainless steel washer.

Part Number
VG-771-M10

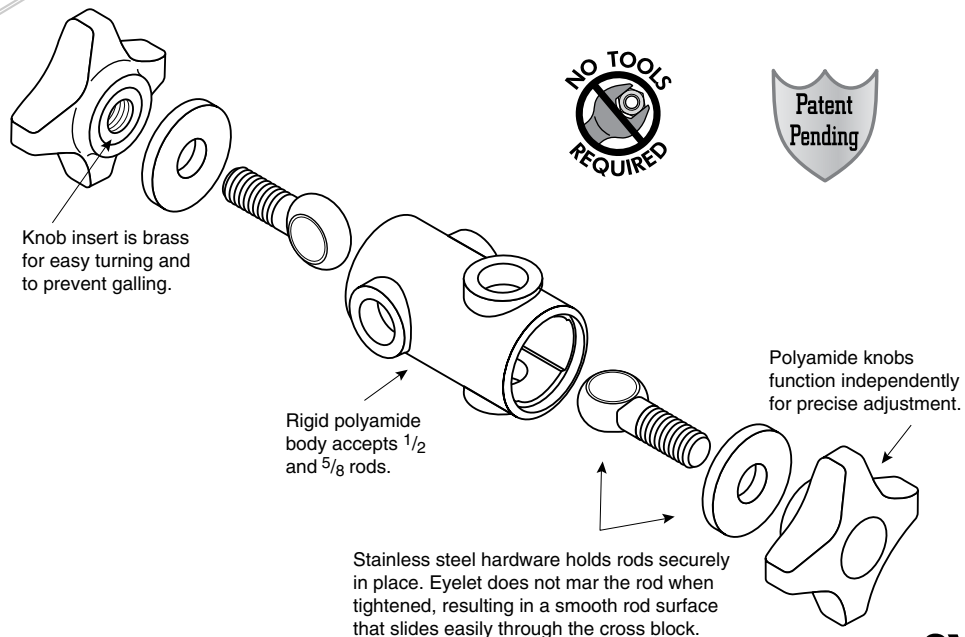
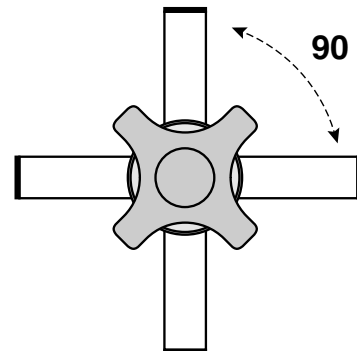
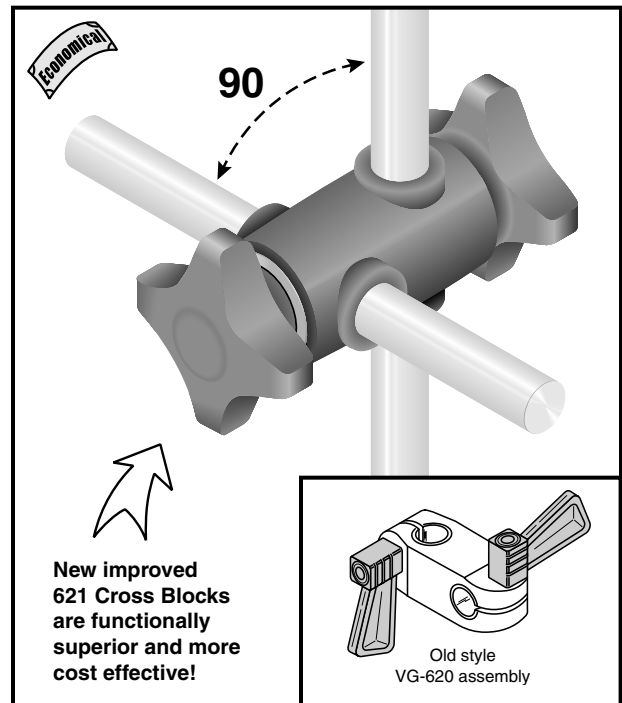
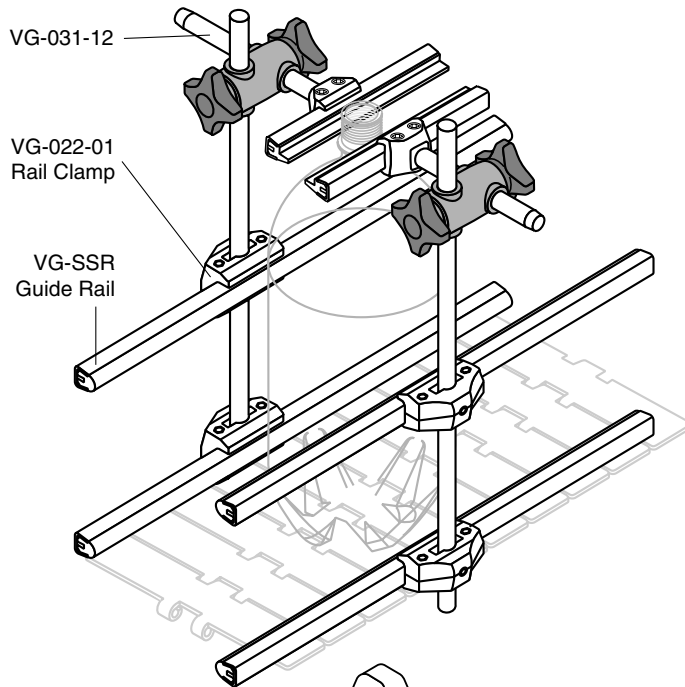


Heavy Duty Cross Blocks



Valu Guide 621 series heavy duty cross blocks firmly hold two rods at 90°. When adjustment is necessary, a simple turn of the hand knob loosens the cross block's grip on the rod. When the adjustment is complete, retighten the hand knob to lock the new position in place. These heavy duty cross blocks are manufactured from corrosion resistant polyamide with stainless steel hardware which provide superior strength and rigidity.

The unique design of the 621 series cross blocks does not rely on set screws that can score and mar adjusting rods and subsequently hinder movement. Instead, we use an eyelet which firmly clamps around the adjusting rod for superior holding strength. Independent rod adjustment makes the 621 series easy to work with. Knob versions do not require any tools for adjustment. Variations on the cross block design include optional lock washer and nut tightening, stainless steel body designs, and 45° cross rod angles.



Brackets & Positioning

**SYSTEM
PLAST™**



Heavy Duty Cross Blocks

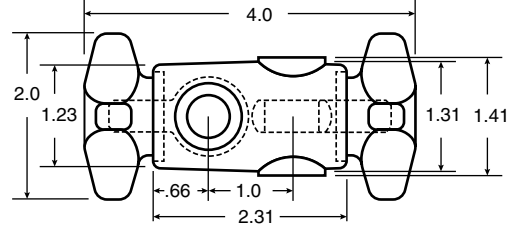
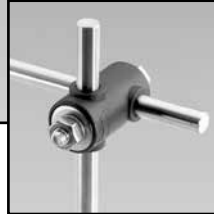
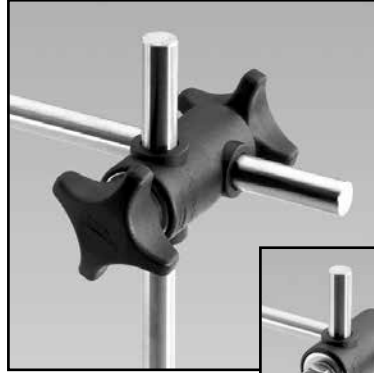
621 series

Cross Blocks

Connects two round rods at 90°. Versions available to hold Ø1/2 and Ø5/8 inch rods. Standard VG-621 cross blocks come with hand knobs on each side for quick adjustment.

VG-621NK features a hand knob on one side and a nut with lock washer on the other side. The hand knob side is ideal for frequent adjustments while the lock washer and nut side is suited to more permanent positioning.

VG-621NN is supplied with lock washers and nuts on both sides for holding rods in place when less frequent adjustments are necessary. Rods not included.



Material: Polyamide body and knobs with brass inserts. Stainless steel hardware.

| Part Number with 2 Knobs | Part Number with 1 Knob and 1 Nut | Part Number with 2 Nuts | Ø Rod | X | Ø Rod |
|--------------------------|-----------------------------------|-------------------------|-------|---|-------|
| VG-621-12-12 | VG-621NK-12-12 | VG-621NN-12-12 | 1/2 | | 1/2 |
| VG-621-12-58 | VG-621NK-12-58 | VG-621NN-12-58 | 1/2 | | 5/8 |
| VG-621-58-58 | VG-621NK-58-58 | VG-621NN-58-58 | 5/8 | | 5/8 |

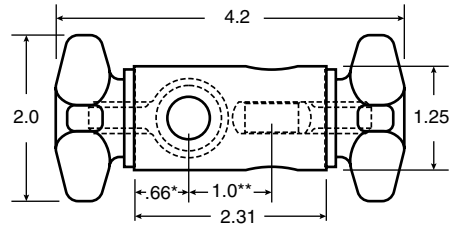
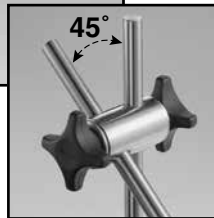
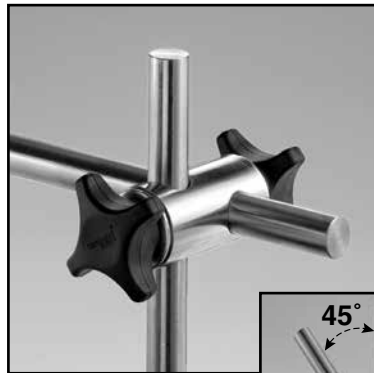
621S series

Stainless Steel Cross Blocks

VG-621S series connects two round rods at 90°. VG-621S-45 series connects two round rods at 45°. Versions available to hold Ø1/2, Ø5/8, and Ø3/4 inch rods. Standard cross blocks come with hand knobs on each side for quick adjustment.

NK designated part numbers feature a hand knob on one side and a nut with lock washer on the other side. The hand knob side is ideal for frequent adjustments while the lock washer and nut side is suited to more permanent positioning.

NN designated part numbers are supplied with lock washers and nuts on both sides for holding rods in place when less frequent adjustments are necessary. NN versions of VG-621S series cross blocks are completely stainless steel. Rods not included.

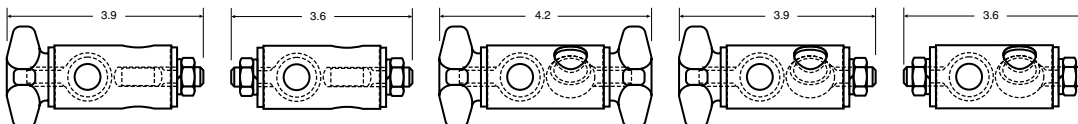


*.60 and **.13 for 5/8 x 3/4 and 3/4 x 3/4 cross blocks

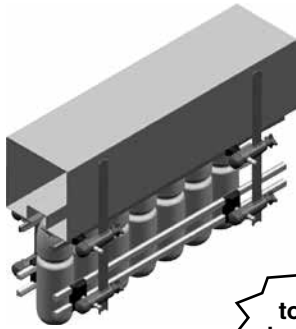
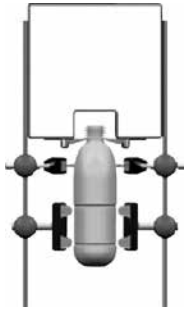
All Stainless Hi-Temp

Material: Stainless steel body, polyamide knobs with brass inserts. Stainless steel hardware.

| Part Number with 2 Knobs | Part Number with 1 Knob and 1 Nut | Part Number with 2 Nuts | Part Number with 2 Knobs, 45° | Part Number with 2 Nuts, 45° | Ø Rod | X | Ø Rod |
|--------------------------|-----------------------------------|-------------------------|-------------------------------|------------------------------|-------|---|-------|
| VG-621S-12-12 | VG-621SNK-12-12 | VG-621SNN-12-12 | VG-621S-45-12-12R | VG-621SNN-45-12-12R | 1/2 | | 1/2 |
| VG-621S-12-58 | VG-621SNK-12-58 | VG-621SNN-12-58 | VG-621S-45-12-58R | - | 1/2 | | 5/8 |
| VG-621S-58-58 | VG-621SNK-58-58 | VG-621SNN-58-58 | VG-621S-45-58-58R | - | 5/8 | | 5/8 |
| VG-621S-12-34 | VG-621SNK-12-34 | VG-621SNN-12-34 | - | - | 1/2 | | 3/4 |
| VG-621S-58-34 | VG-621SNK-58-34 | VG-621SNN-58-34 | - | - | 5/8 | | 3/4 |
| VG-621S-34-34 | VG-621SNK-34-34 | VG-621SNN-34-34 | - | - | 3/4 | | 3/4 |



Brackets & Positioning



- Rapid and precise adjustments of guides to accommodate various bottle sizes.
- Fits 1/2" inch. diameter adjusting rods.
- Corrosion resistance composite components.
- Ergonomic spring loaded design.
- Quick and easy maintenance.



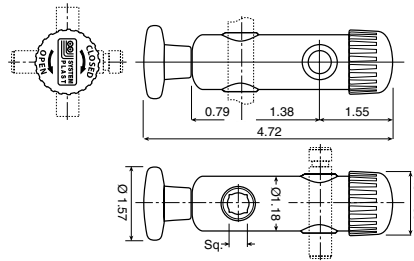
Twist to lock, twist back to unlock

33313

Quick Adjust Cross Blocks

Dual action cross blocks firmly hold two rods at 90°. When adjustment is necessary, a simple turn of the quick release cap loosens the cross block's grip on the rod. When the adjustment is complete, retighten the cap to lock the new position in place.

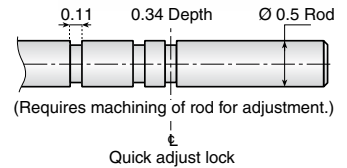
Requires custom grooved rod. Not included.



Material: Polyamide body, cap, and knob. Knob has stainless steel insert. Cap has nickel plated brass insert.

| Part Number | Ø Rod (in.) | Ø Rod (in.) | Sq. |
|--------------|-------------|-------------|-------------|
| 33313 | 1/2 | 1/2 | 7/16 |

1/2 round or 7/16 square rod

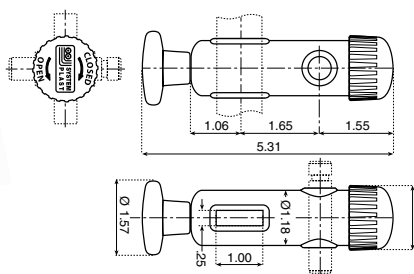


33262

Quick Adjust Cross Blocks

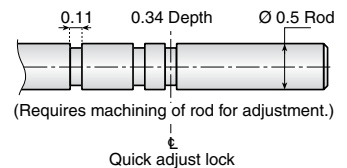
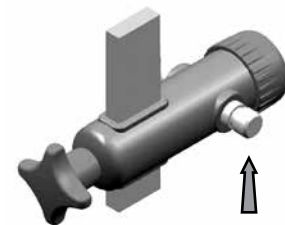
Dual action cross blocks firmly hold a rod and flat bar at 90°. When adjustment is necessary, a simple turn of the quick release cap loosens the cross block's grip on the rod. When the adjustment is complete, retighten the cap to lock the new position in place.

Requires custom grooved rod and flat bar. Not included.



Material: Polyamide body, cap, and knob. Knob has stainless steel insert. Cap has nickel plated brass insert.

| Part Number | Ø Rod (in.) | Flat bar (in.) |
|--------------|-------------|----------------|
| 33262 | 1/2 | 1 x 1/4 |



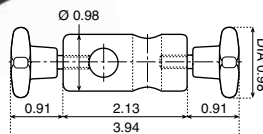
Brackets & Positioning

13182

LIGHT DUTY

Cross Blocks

Economically connects two round rods at 90°. Cross blocks come with hand knobs on each side for quick adjustment.



Material: Polyamide body and knobs. Knobs have stainless steel insert.

| Part Number | Ø Rod (in.) |
|--------------|-------------|
| 13182 | 1/2 |

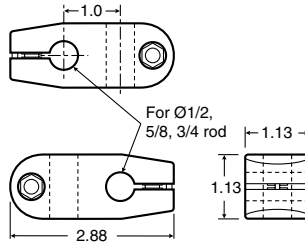


Standard Cross Blocks

620

Rod to Rod Cross Block

Connects two round rods at 90°.



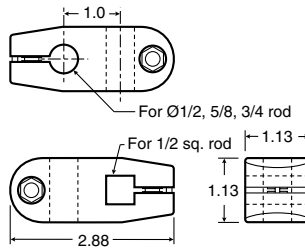
Material: Reinforced acetal with stainless steel bolt and nickel plated brass nut.

| Part Number | Ø Rod | X | Ø Rod |
|--------------|-------|---|-------|
| VG-620-12-12 | 1/2 | | 1/2 |
| VG-620-12-58 | 1/2 | | 5/8 |
| VG-620-58-58 | 5/8 | | 5/8 |
| VG-620-34-34 | 3/4 | | 3/4 |

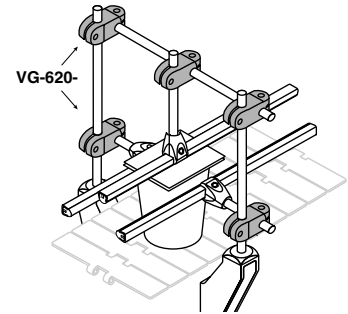
620-12SQ

Rod to Square Rod Cross Block

Connects one round rod and one square rod at 90°.



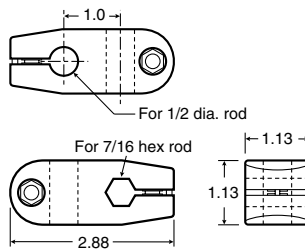
| Part Number | Sq. Rod | X | Ø Rod |
|----------------|---------|---|-------|
| VG-620-12SQ-12 | 1/2 | | 1/2 |
| VG-620-12SQ-58 | 1/2 | | 5/8 |
| VG-620-12SQ-34 | 1/2 | | 3/4 |



620-716HX

Rod to Hex Rod Cross Block

Connects one round rod and one hex rod at 90°.



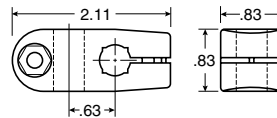
| Part Number | Hex. Rod | X | Ø Rod |
|-----------------|----------|---|-------|
| VG-620-716HX-12 | 7/16 | | 1/2 |

Brackets & Positioning

619

Rod to Rod Cross Block

Connects one round rod and/or one square rod at 90°.



Accepts round rod or square rod!

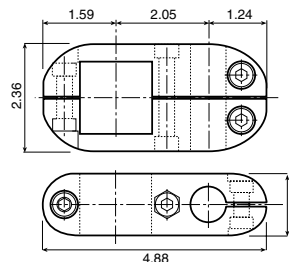
Material: Reinforced acetal with stainless steel bolt and nickel plated brass nut.

| Part Number | Support Ø Rod (mm) |
|-------------|--------------------|
| VG-619-10M | 10mm/8mm sq. |
| VG-619-12M | 12mm/10mm sq. |
| VG-619-14M | 14mm/12mm sq. |

335 series

Lane Divider Cross Blocks

Typically used in a bridge over conveyors to support lane dividers. Rod not included. Max recommended tightening torque is 21.7 ft.-lbs.



Material: Polyamide body with stainless steel hardware.

| Part Number | Ø Rod | X | Ø Rod |
|-------------|-------|---|-------|
| 33512 | 1-1/2 | | 5/8 |
| 33509 | 1-1/2 | | 3/4 |

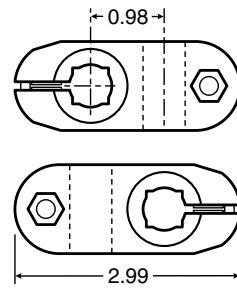
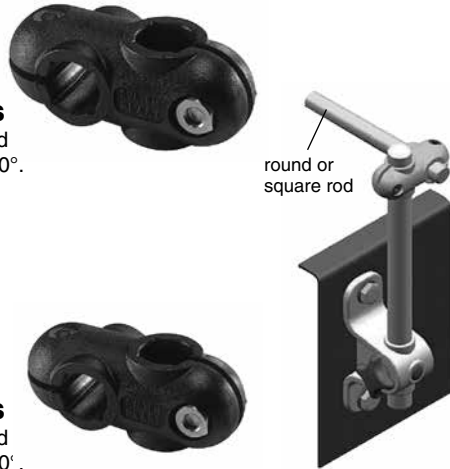
SYSTEM PLAST™

Standard Cross Blocks, Ratchet Handle and Sensor Mount

300

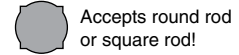
Standard Cross Blocks

Connects two round or square rods at 90°. Rods not included.



Material: Polyamide body with stainless steel fasteners.

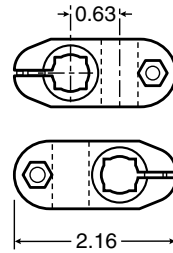
| Part Number | Ø Rod (in.) | Ø Rod X (in.) | Sq. Rod (in.) | Sq. Rod X (in.) |
|-------------|-------------|---------------|---------------|-----------------|
| 30001NV | 1/2 | 1/2 | 7/16 | 7/16 |
| 30002NV | 1/2 | 5/8 | 7/16 | 9/16 |
| 30003NV | 5/8 | 5/8 | 9/16 | 9/16 |
| 30015NV | 5/8 | 3/4 | 9/16 | 5/8 |
| 30016NV | 3/4 | 3/4 | 5/8 | 5/8 |



33151

Standard Cross Blocks

Connects two round or square rods at 90°. Rods not included.



Material: Acetal body with stainless steel fasteners.

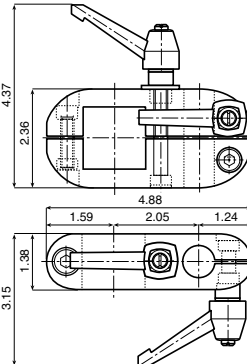
| Part Number | Ø Rod (in.) | Ø Rod X (in.) | Sq. Rod (in.) | Sq. Rod X (in.) |
|-------------|-------------|---------------|---------------|-----------------|
| 33151 | 1/2 | 1/2 | 7/16 | 7/16 |

335HV

Lane Divider Cross Blocks with 2 Handles

For use in areas where frequent adjusting is required for horizontal and vertical movement.

Rod not included. Max recommended tightening torque is 21.7 ft-lbs.



Material: Polyamide body with stainless steel hardware. Polyamide handle with nickel plated brass insert.

| Part Number | Ø Rod | X | Ø Rod |
|-------------|-------|---|-------|
| 33512HV | 1-1/2 | | 5/8 |
| 33509HV | 1-1/2 | | 3/4 |



Brackets & Positioning

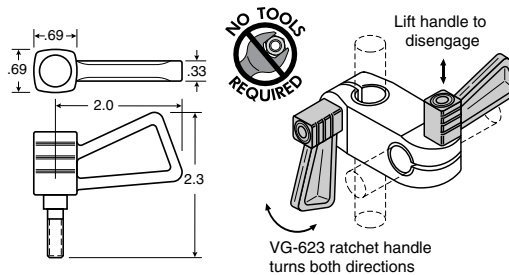
623

Ratchet Handle

Replaces fastener for easier adjustment. Used with VG-620 Cross Block. (Note: VG-621 Cross Blocks are functionally superior and more cost effective!)



See page 376 for additional ratchet handles.



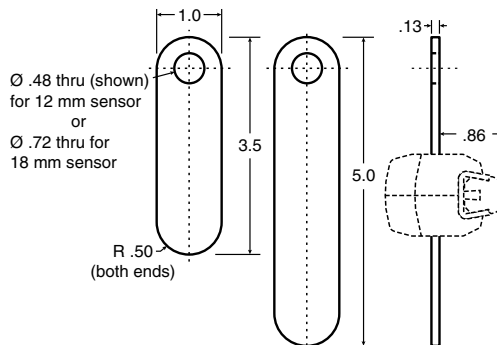
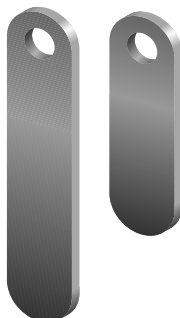
Material: Reinforced polyamide with stainless steel thread.

| Part Number | Thread |
|-------------|--------|
| VG-623-BK | 1/4-20 |

612

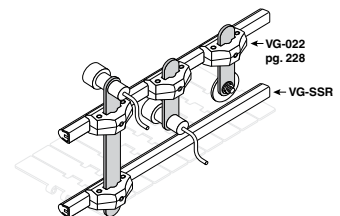
Sensor Mount

Accurately positions sensors and reflectors. Use with VG-022-01 rail clamp for ideal sensor mounting and quick adjustment, above or below guide rail.



Material: Stainless steel.

| Part Number | Length(in.) | Sensor(mm) |
|--------------|-------------|------------|
| VG-612-35-12 | 3.5 | 12 |
| VG-612-35-18 | 3.5 | 18 |
| VG-612-50-12 | 5 | 12 |
| VG-612-50-18 | 5 | 18 |



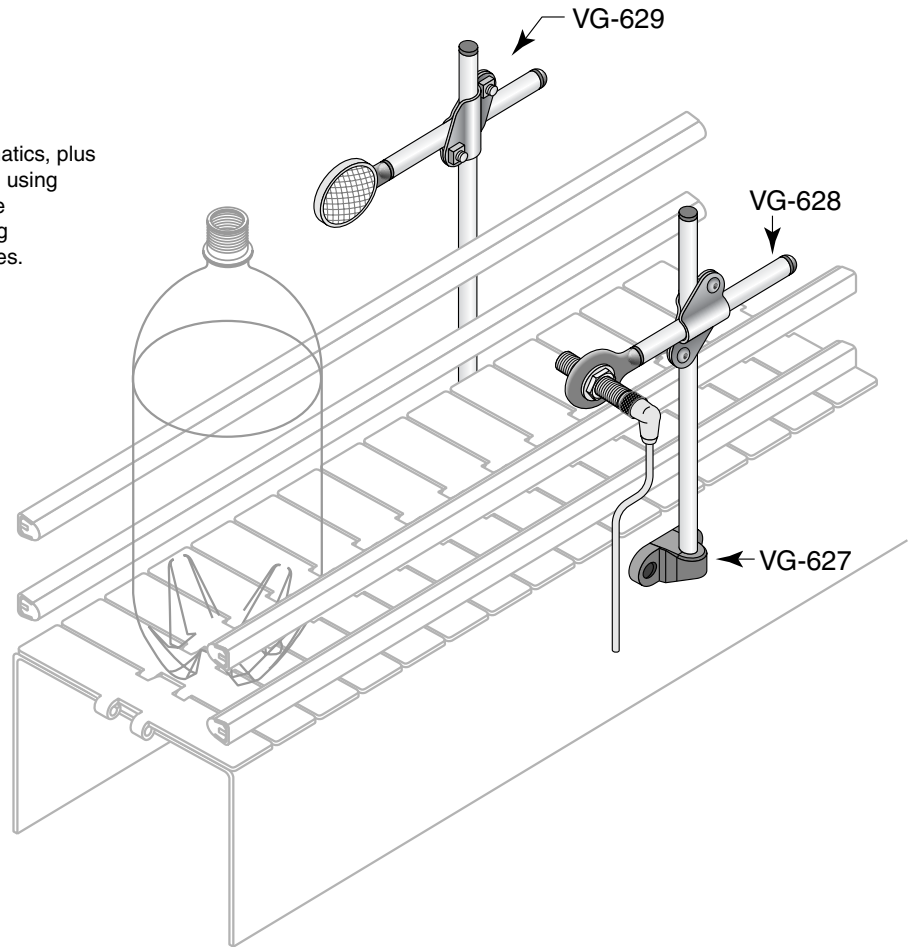
331



Accessory Holders

Universal Accessory Holders

Photocells, sensors, spray heads, miniature pneumatics, plus many other accessories can easily be held in place using accessory holders. These multi-axis assemblies are designed to offer unlimited possibilities for mounting accessories on conveyors and machinery of all types. Made of corrosion resistant thermoplastic and stainless steel, accessory holders can withstand harsh operating environments. Accessory holder assemblies are configured to hold either sensors or reflectors, and are available with Ø1/2 inch support rods. Each component is available individually.

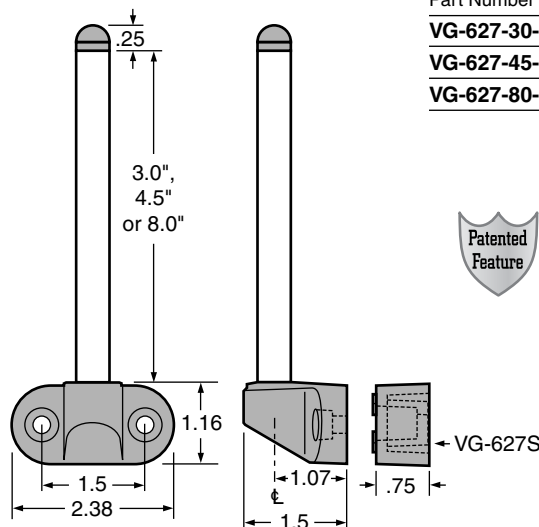


Brackets & Positioning

627

Molded T-Rod

Can be used as part of an accessory holding assembly, or as a light duty side mount bracket. Unique stainless steel and molded plastic design is strong, yet economical.



Material: Polyamide and stainless steel.

| Part Number | Rod Length (in.) | Rod Ø (in.) |
|--------------|------------------|-------------|
| VG-627-30-12 | 3.0 | 1/2 |
| VG-627-45-12 | 4.5 | 1/2 |
| VG-627-80-12 | 8.0 | 1/2 |



Patent Numbers
6,427,829 B1
6,591,978

627S

T-Rod Offset Spacer

Plastic spacer is used to offset T-Rod from mounting surface. Multiples can be stacked.

Material: Polyamide.

| Part Number | Thickness (in.) |
|-------------|-----------------|
| VG-627S-34 | 3/4 |

**SYSTEM
PLAST™**

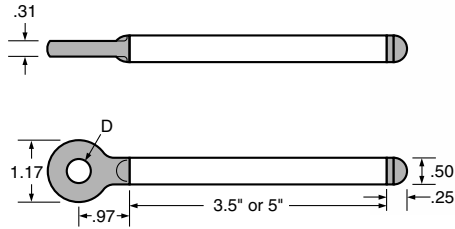
©2015 Regal-Beloit Corporation, All Rights Reserved.



628

Accessory Holder

This unique stainless steel and molded plastic design is a strong, yet economical method for holding many types of accessories. A variety of bore sizes are available.



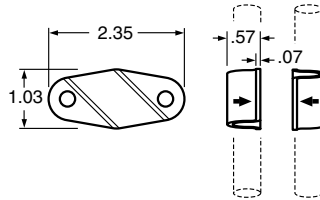
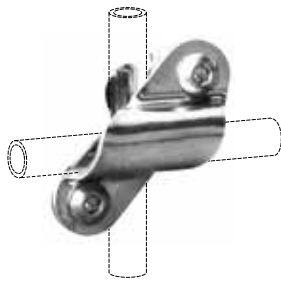
Material: Polyamide holder, stainless steel rod.

| Part Number | Rod Length (in.) | Rod Ø (in.) | Accessory Hole Ø (D) |
|-----------------|------------------|-------------|----------------------|
| VG-628-35-12-14 | 3.5 | 1/2 | .25 |
| VG-628-35-12-38 | 3.5 | 1/2 | .38 |
| VG-628-35-12-12 | 3.5 | 1/2 | .50 |
| VG-628-35-12-34 | 3.5 | 1/2 | .75 |
| VG-628-50-12-14 | 5.0 | 1/2 | .25 |
| VG-628-50-12-38 | 5.0 | 1/2 | .38 |
| VG-628-50-12-12 | 5.0 | 1/2 | .50 |
| VG-628-50-12-58 | 5.0 | 1/2 | .63 |
| VG-628-50-12-34 | 5.0 | 1/2 | .75 |

629

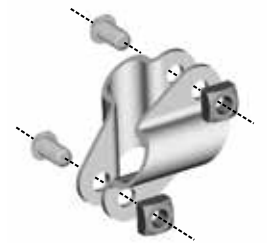
Cross Clamp

Stainless steel clamp used to connect two Ø1/2 inch round rods at 90°. Fastening hardware is included.



Material: Stainless steel.

| Part Number | Rod Ø (in.) | X | Rod Ø (in.) |
|--------------|-------------|---|-------------|
| VG-629-12-12 | 1/2 | | 1/2 |

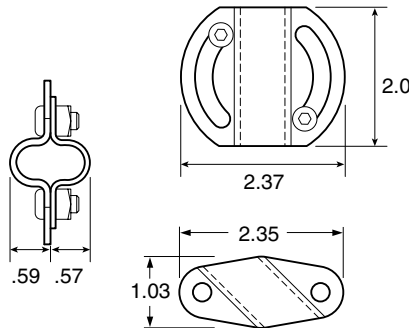
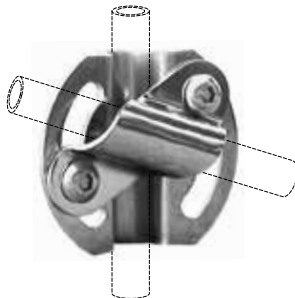


Brackets & Positioning

629R

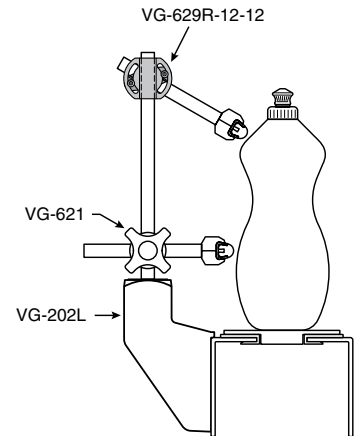
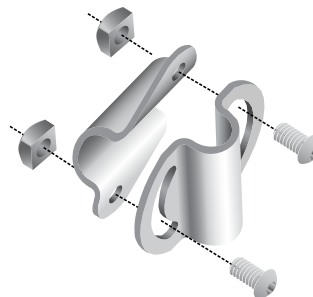
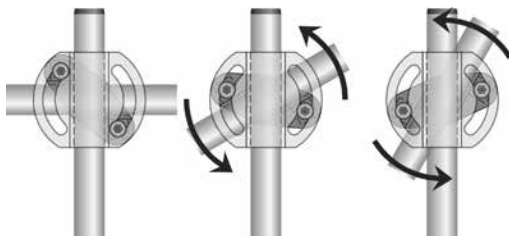
Rotating Cross Clamp

Stainless steel clamp used to connect two Ø1/2 inch round rods at any angle. Fastening hardware is included.



Material: Stainless steel.

| Part Number | Rod Ø (in.) | X | Rod Ø (in.) |
|---------------|-------------|---|-------------|
| VG-629R-12-12 | 1/2 | | 1/2 |





Mounts for Photocells or Reflectors

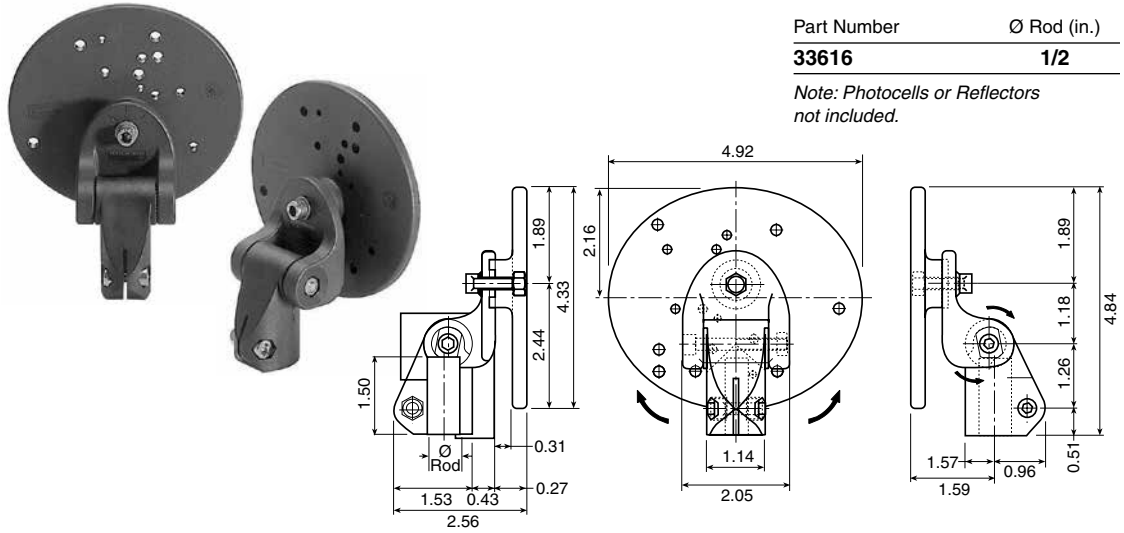
Material: Reinforced polyamide clamp with stainless steel bolt.

33616

Universal Mount for Photocells or Reflectors

Used to hold photocells or reflectors.

Max recommended tightening torque 14.4 ft-lbs.

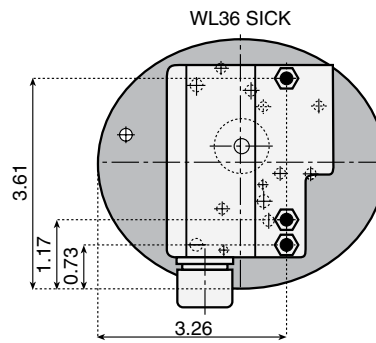
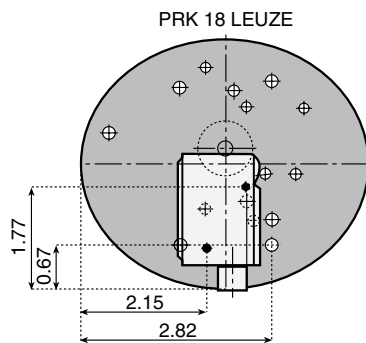
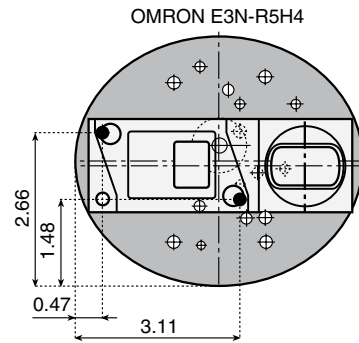
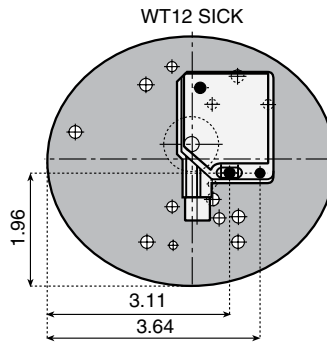
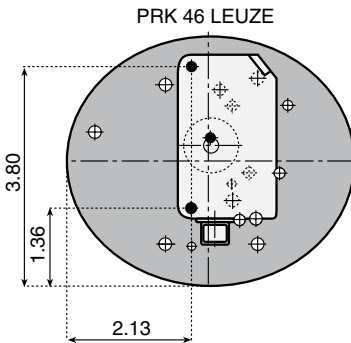
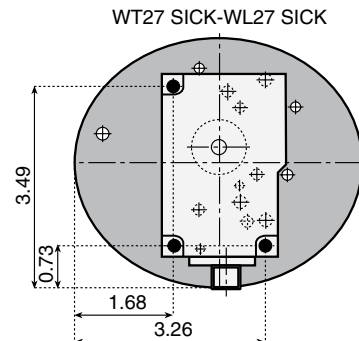
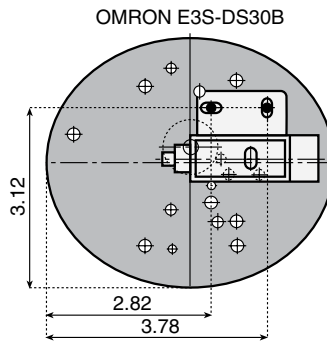
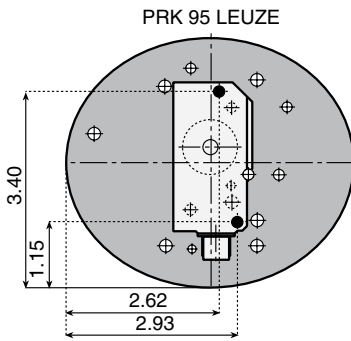


| Part Number | Ø Rod (in.) |
|--------------|-------------|
| 33616 | 1/2 |

Note: Photocells or Reflectors not included.

Suitable Photocell Types

Brackets & Positioning





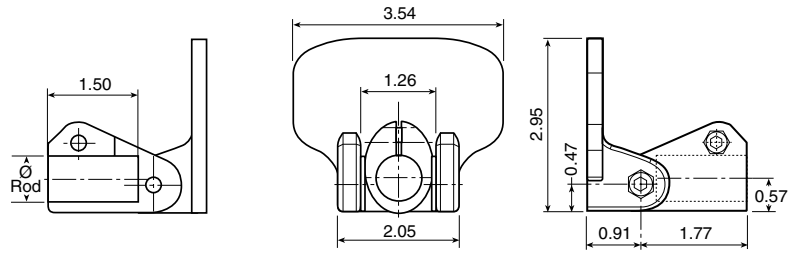
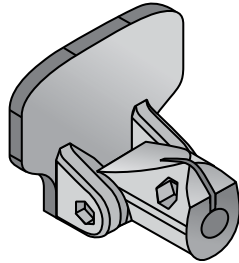
33500

Mount for Photocells or Reflectors

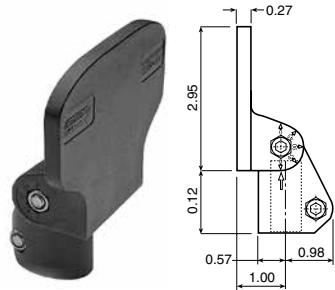
Used to hold photocells or reflectors.
Can be fitted in three different positions.

Material: Reinforced polyamide clamp with stainless steel bolts.

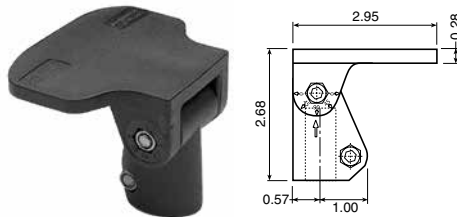
| Part Number | Ø Rod (in.) |
|-------------|-------------|
| 33500 | 1/2 |



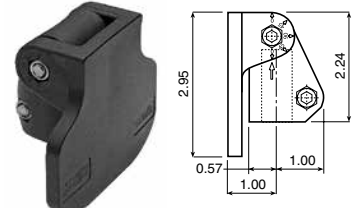
Note: Photocells or Reflectors not included.



Position - A



Position - B

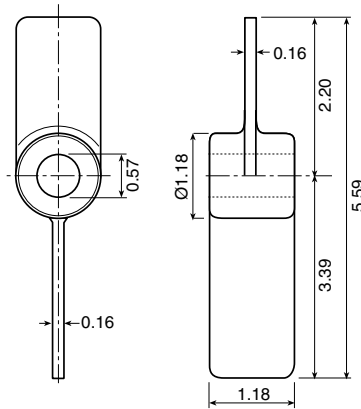


Position - C

13150

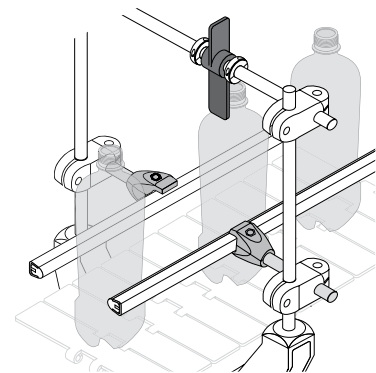
Bottle Indicator

Used to activate photocells on conveyors and machines.



Material: Reinforced polyamide.

| Part Number |
|-------------|
| 13150 |

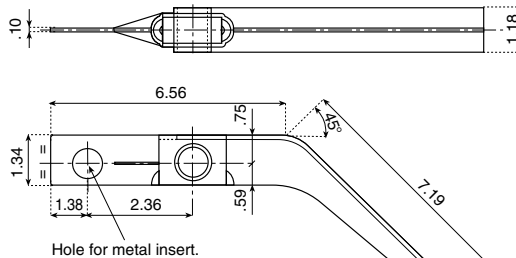
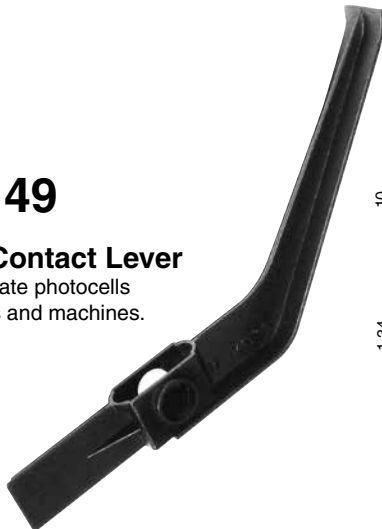


Brackets & Positioning

13149

Control Contact Lever

Used to activate photocells on conveyors and machines.



Material: Reinforced polyamide.

| Part Number | |
|-------------|--------------|
| 13149 | with hole |
| 13149SF | without hole |

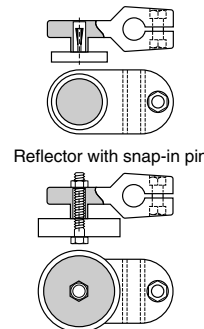
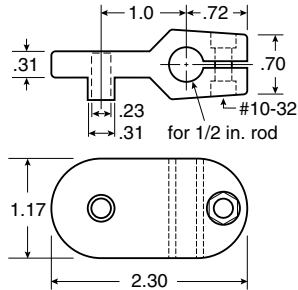


Accessory Mount Components for 1/2" Rod

614

Reflector Mount

Used to hold reflectors using a cap screw and nut or press-in clip onto Ø1/2 inch support rods.



Reflector with bolt and nut

Material: Reinforced polyamide body with stainless steel fasteners.

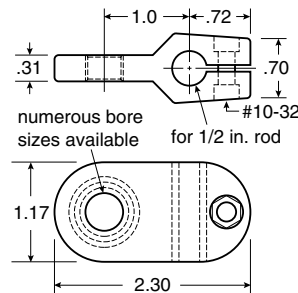
| Part Number | Ø Rod (in.) |
|------------------|-------------|
| VG-614-12 | 1/2 |

Note: Reflectors not included.

618

Accessory Holder

Used to hold many types of accessories onto Ø1/2 inch support rods. A variety of bore sizes are available.



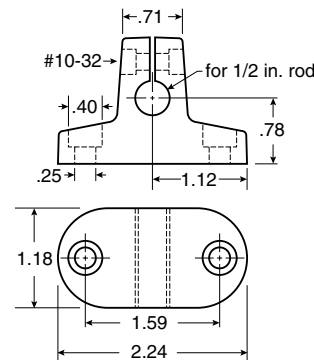
Material: Reinforced polyamide body with stainless steel fasteners.

| Part Number (in.) | Support Ø Rod (in.) | Accessory Ø Bore |
|---------------------|---------------------|------------------|
| VG-618-12-14 | 1/2 | 1/4 |
| VG-618-12-38 | 1/2 | 3/8 |
| VG-618-12-12 | 1/2 | 1/2 |
| VG-618-12-58 | 1/2 | 5/8 |
| VG-618-12-34 | 1/2 | 3/4 |

617

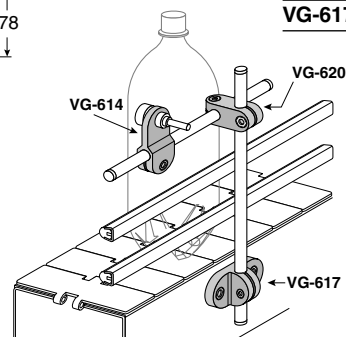
T-Clamp

Mounts to side of equipment to provide support for light duty rod type guide rail systems. Part of the VG-615 series accessory holder assembly.



Material: Reinforced polyamide body with stainless steel fasteners.

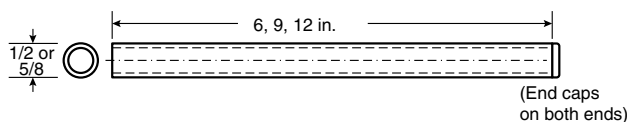
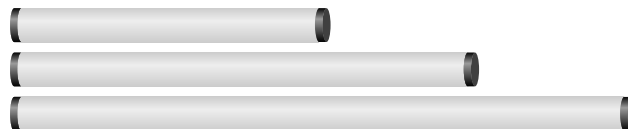
| Part Number | Ø Rod (in.) |
|------------------|-------------|
| VG-617-12 | 1/2 |



215

Support Rods

Available in three lengths, these rods can be used with accessory cross blocks, holders and clamps. They are made from 1/2 and 5/8 inch OD stainless steel tubing. The ends are capped with a black polyethylene plug.



Material: Stainless steel tube. Black polyethylene end caps.

| 1/2" Part Number | 5/8" Part Number | Length (in.) |
|----------------------|----------------------|--------------|
| VG-215-06-12T | VG-215-06-58T | 6 |
| VG-215-09-12T | VG-215-09-58T | 9 |
| VG-215-12-12T | VG-215-12-58T | 12 |

SYSTEM PLAST™

©2015 Regal-Beloit Corporation, All Rights Reserved.

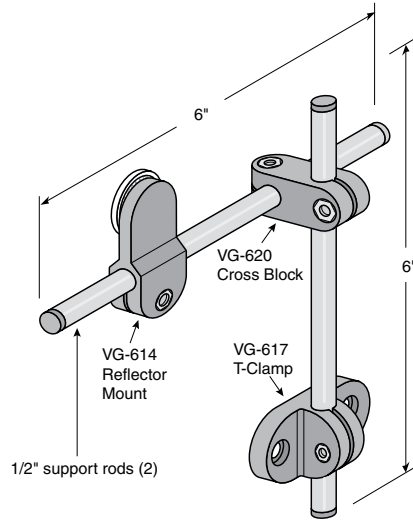


VG-615R-12 consists of the following parts:

615R

Reflector Mounting Assembly

The assembly for holding reflectors is available with $\text{\O}1/2$ inch support rods and corresponding attachments.



Material: Corrosion resistant thermoplastic parts with stainless steel fasteners. Stainless steel tubes with plastic insert caps.

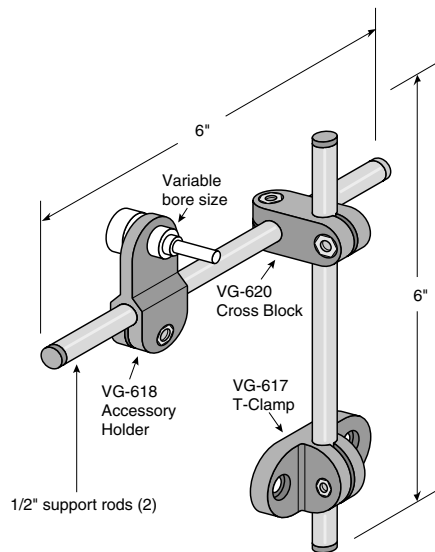
| Part Number | \O Support Rod (in.) |
|-------------------|-------------------------------|
| VG-615R-12 | 1/2 |

VG-615A-12- assemblies consist of the following parts:

615A

Sensor Mounting Assembly

The assembly for holding sensors is available with $\text{\O}1/2$ inch support rods and corresponding attachments. The accessory holder attachment is available in a variety of bore sizes as shown in the part number table.



| Part Number | Support \O Rod (in.) | Accessory Holder \O Bore (in.) |
|----------------------|-------------------------------|---|
| VG-615A-12-14 | 1/2 | 1/4 |
| VG-615A-12-38 | 1/2 | 3/8 |
| VG-615A-12-12 | 1/2 | 1/2 |
| VG-615A-12-58 | 1/2 | 5/8 |
| VG-615A-12-34 | 1/2 | 3/4 |

Brackets & Positioning



Accessory Mount Components for 10mm Rod

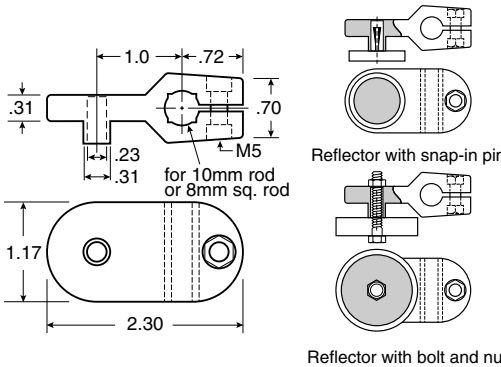
614-10M

Reflector Mount

Used to hold reflectors using a cap screw and nut or press-in clip onto Ø10mm support rods.



Accepts 10 mm round rod or 8 mm square rod!



Material: Reinforced polyamide body with stainless steel fasteners.

| Part Number | Ø Rod (mm) |
|-------------------|---------------------|
| VG-614-10M | 10mm/8mm sq. |

Note: Reflectors not included.

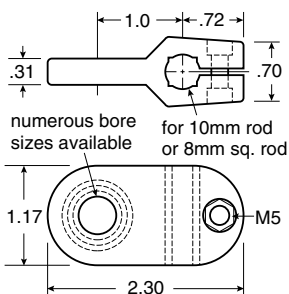
618-10M

Accessory Holder

Used to hold many types of accessories onto Ø10mm support rods. A variety of bore sizes are available.



Accepts 10 mm round rod or 8 mm square rod!



| Part Number | Support Ø Rod (mm) | Accessory Ø Bore (mm) |
|----------------------|---------------------|-----------------------|
| VG-618-10M-6 | 10mm/8mm sq. | 6 |
| VG-618-10M-10 | 10mm/8mm sq. | 10 |
| VG-618-10M-12 | 10mm/8mm sq. | 12 |
| VG-618-10M-19 | 10mm/8mm sq. | 19 |

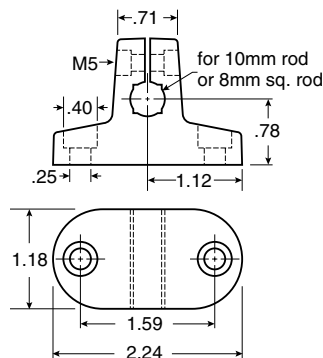
617-10M

T-Clamp

Mounts to side of equipment to provide support for light duty rod type guide rail systems. Part of the VG-615 series accessory holder assembly.



Accepts 10 mm round rod or 8 mm square rod!



| Part Number | Support Ø Rod (mm) |
|-------------------|---------------------|
| VG-617-10M | 10mm/8mm sq. |

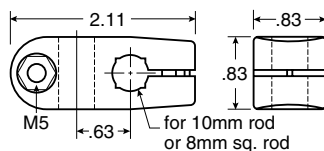
619-10M

Rod to Rod Cross Block

Connects two 10mm round rods or 8mm square rods at 90°. Part of the VG-615R-10M or VG-615A-10M accessory holder assembly.



Accepts 10 mm round rod or 8 mm square rod!

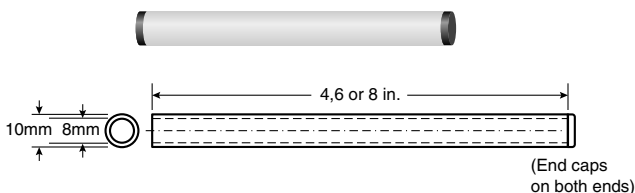


| Part Number | Support Ø Rod (mm) |
|-------------------|---------------------|
| VG-619-10M | 10mm/8mm sq. |

616

Ø 10mm Support Rod

This 10mm OD stainless steel tube can be used with accessory cross blocks, holders and clamps. The ends are capped with a black polyethylene plug.



Material: Stainless steel tube. Black polyethylene end caps.

| Part Number | Length (in.) |
|----------------------|--------------|
| VG-616-06-10M | 6 |
| VG-616-08-10M | 8 |

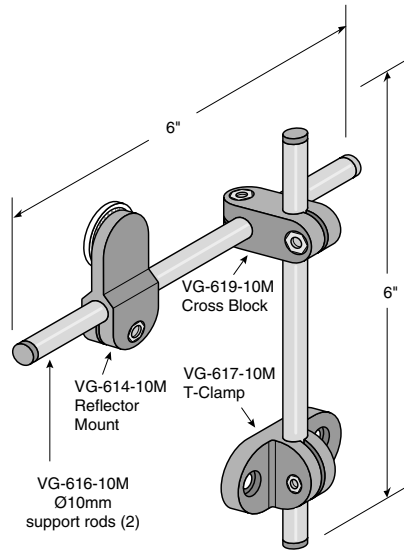


VG-615R-10M consists of the following parts:

615R-10M

Reflector Mounting Assembly

The assembly for holding reflectors is available with Ø10mm support rods and corresponding attachments.



Material: Corrosion resistant thermoplastic parts with stainless steel fasteners. Stainless steel tubes with plastic insert caps.

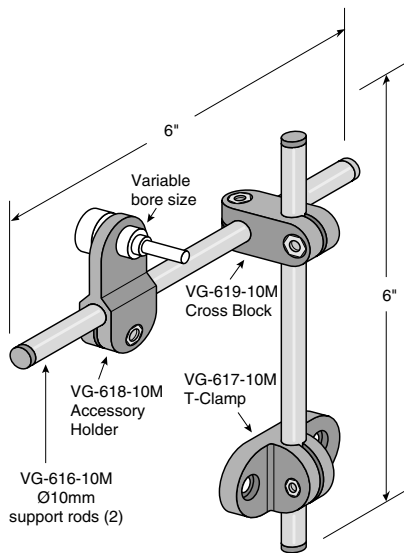
| Part Number | Ø Support Rod |
|--------------------|---------------|
| VG-615R-10M | 10mm |

VG-615A-10M- assemblies consist of the following parts:

615A-10M

Sensor Mounting Assembly

The assembly for holding sensors is available with Ø10mm inch support rods and corresponding attachments. The accessory holder attachment is available in a variety of bore sizes as shown in the part number table.



| Part Number | Support Ø Rod (mm) | Accessory Ø Bore (mm) |
|-----------------------|--------------------|-----------------------|
| VG-615A-10M-6 | 10mm | 6 |
| VG-615A-10M-10 | 10mm | 10 |
| VG-615A-10M-19 | 10mm | 19 |

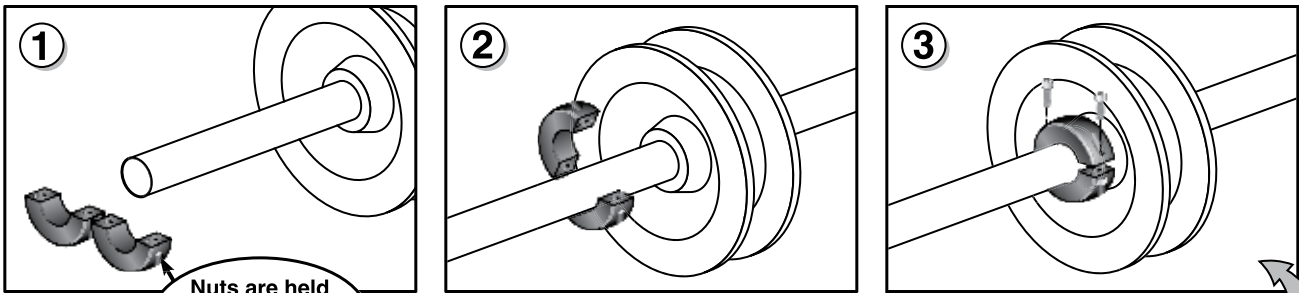
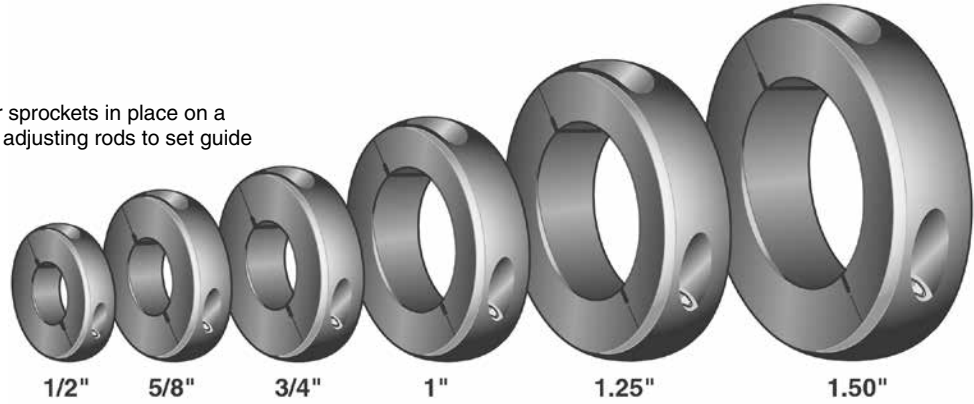
Brackets & Positioning

SC

Locking Shaft Collars

For holding idler wheels or various other sprockets in place on a shaft. Also can be used with Valu Guide adjusting rods to set guide rail positions for two container sizes.

- Available with or without keyways.
- Convenient hinge keeps parts together for easy installation.
- Fastening hardware included.

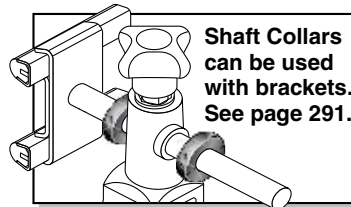
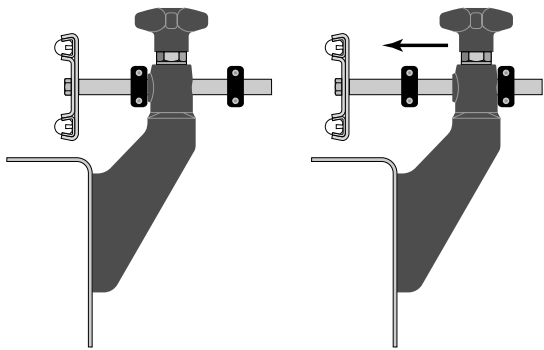


Nuts are held in place within the part

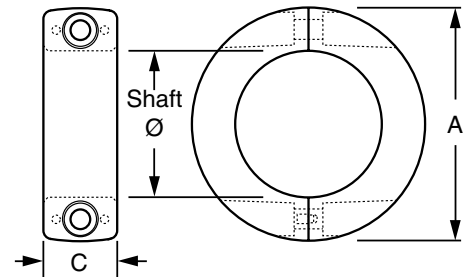
Shaft Collars can be used with idler wheels. See page 104.

Brackets & Positioning

Pre-set, repeatable adjustments!



Easy to install on existing lines!

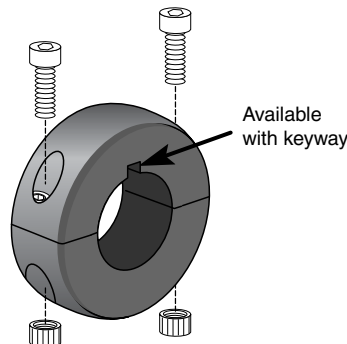


Material: Polyamide ring with stainless steel and nickel plated brass hardware.

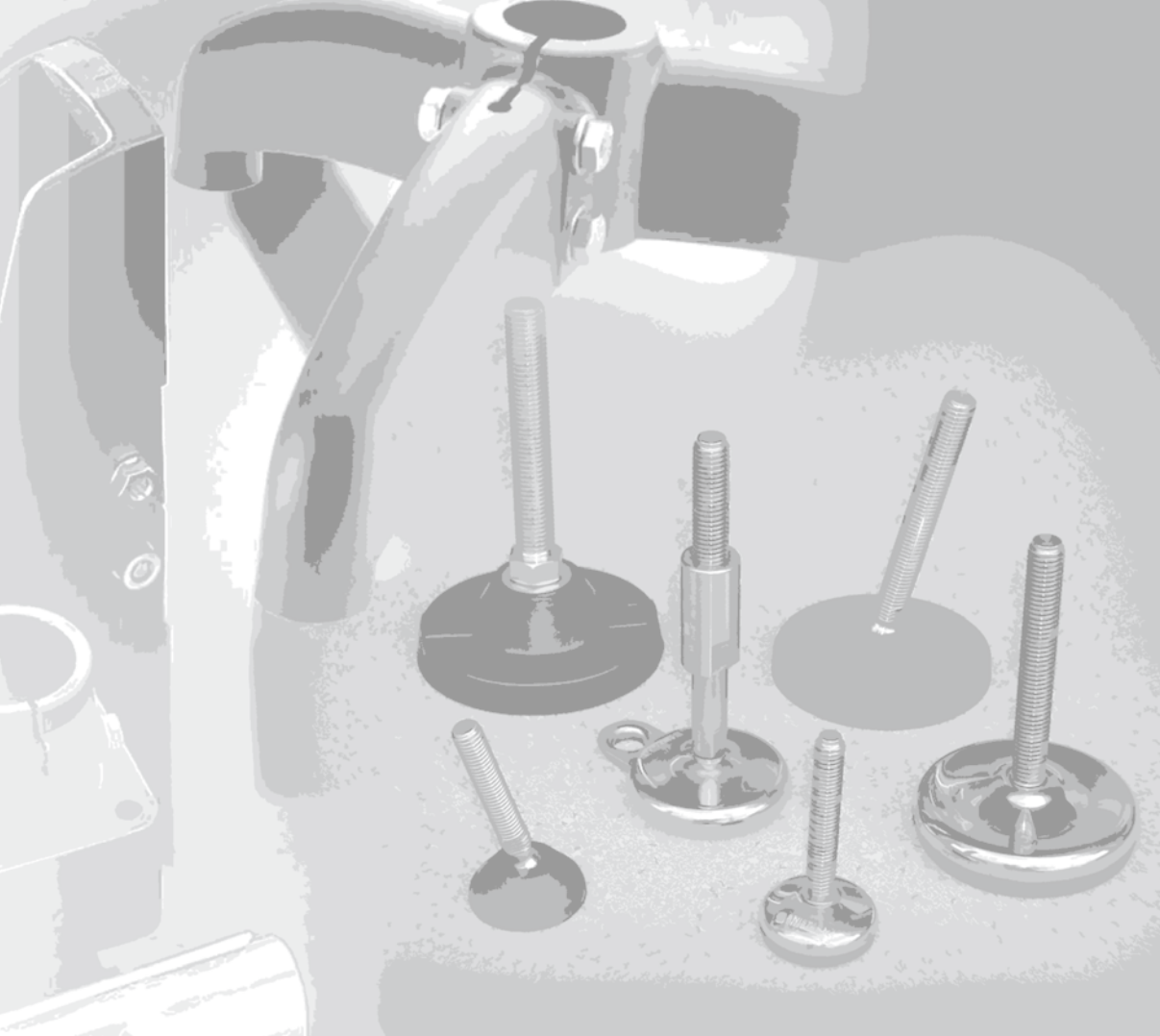
SCK

Locking Shaft Collars with Keyway

For holding sprockets or idler wheels on keyed shafts.



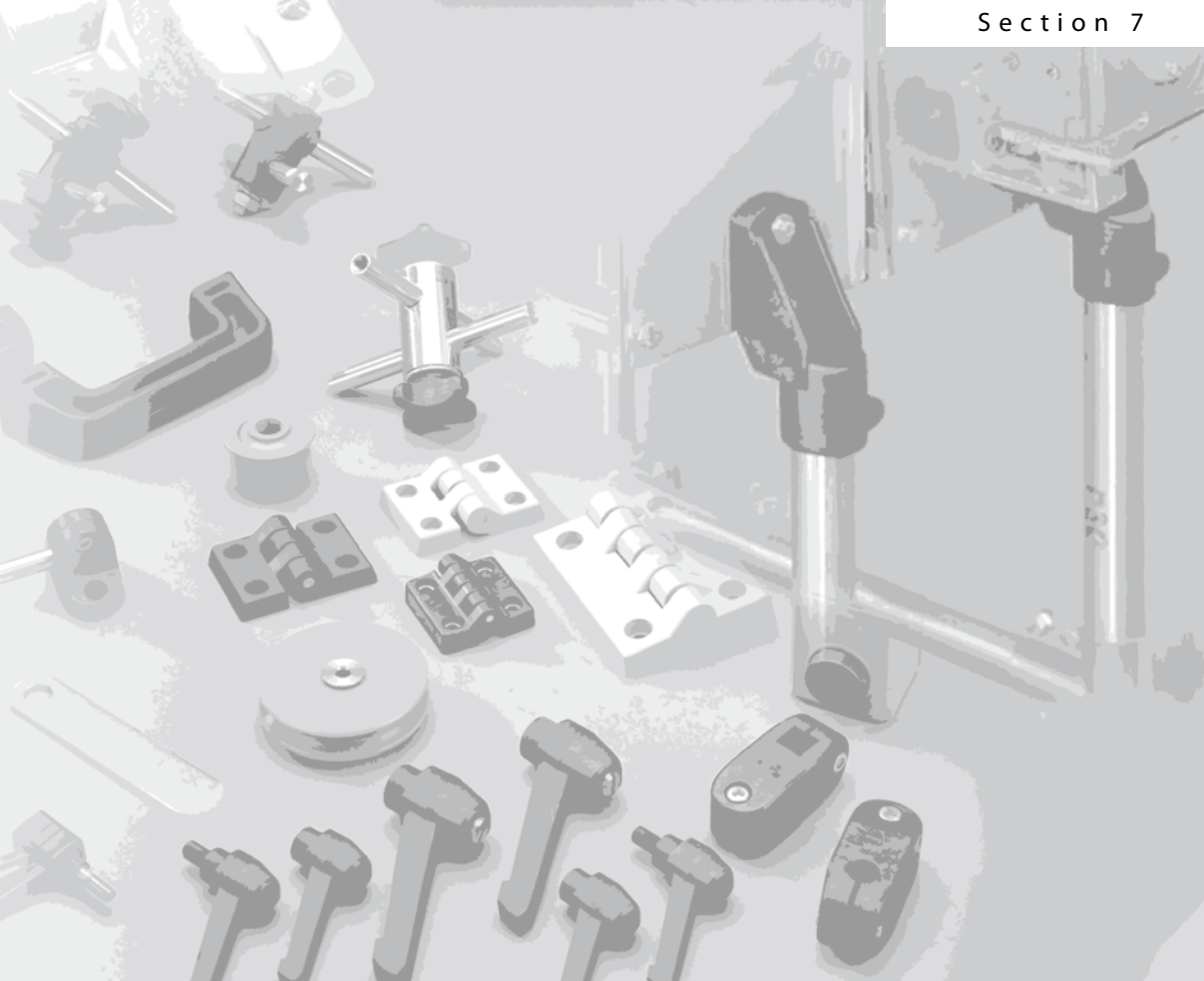
| Part Number | with keyway | A | Shaft Ø | C | keyway |
|-------------|-------------|------|---------|-----|--------|
| VG-SC-12 | - | 1.10 | 1/2" | .46 | - |
| VG-SC-58 | - | 1.22 | 5/8" | .46 | - |
| VG-SC-34 | - | 1.50 | 3/4" | .55 | - |
| VG-SC-100 | VG-SCK-100 | 1.75 | 1" | .55 | 1/4" |
| VG-SC-125 | VG-SCK-125 | 2.00 | 1-1/4" | .63 | 1/4" |
| VG-SC-150 | VG-SCK-150 | 2.50 | 1-1/2" | .70 | 3/8" |



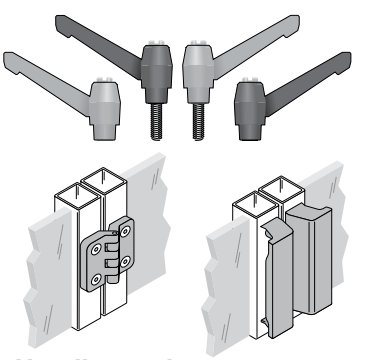
Levelers Page 342
 Tube Ends Adjustable Levelers
 Vibration Pads Threaded Rod

MACHINE & EQUIPMENT COMPONENTS

Section 7



Sub-Structures... Page 369
 Post Caps Connecting Joint
 Leg Tie Tripod Bases
 Bipod Bases Sanitary Leg



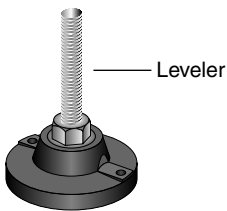
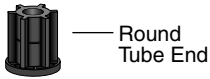
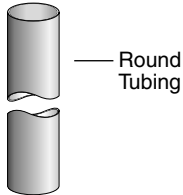
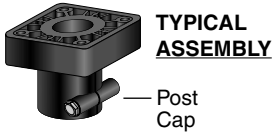
Handles and Hinges..... Page 376
 Ratchet Handles Standard Handles
 Heavy Duty Handles Safety Handles
 Standard Hinges Heavy Duty Hinges

Round Tube Ends

Conveyor and machinery support for use with System Plast adjustable levels.

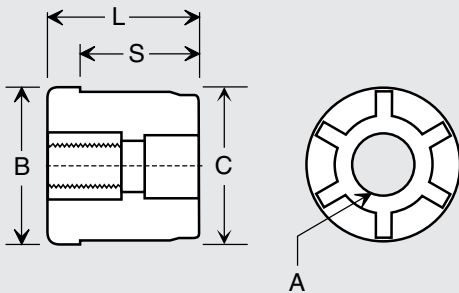
Save Time & Labor!

No welding, drilling or tapping!



Material: Reinforced polyamide with brass threaded insert.

| Part Number | A | B | C | L | S | Tube Size | Static Load | |
|--|--------|-------|-------|-------|-------|----------------------------|-------------|-----------|
| VG-550-B38 | 3/8-16 | 1.50" | 1.37" | 1.71" | 1.38" | <p>1-1/2" Tube</p> | 1000 lbs. | |
| VG-550-B12 | 1/2-13 | | | | | | | |
| VG-550-B58 | 5/8-11 | | | | | | | |
| VG-550-B34 | 3/4-10 | | | | | | | |
| VG-550-BM16 <i>(14764 equivalent)</i> | M16 | 1.78" | 1.78" | 1.71" | 1.38" | <p>1-1/2" Sch. 5 Pipe</p> | | |
| VG-550-BM20 | M20 | | | | | | | |
| VG-558-B38 | 3/8-16 | | | | | | | |
| VG-558-B12 | 1/2-13 | | | | | | | |
| VG-558-B58 <i>(34221 equivalent)</i> | 5/8-11 | 1.97" | 1.78" | 1.95" | 1.54" | <p>1-1/2" Sch. 10 Pipe</p> | | 1760 lbs. |
| VG-558-B34 <i>(34768 equivalent)</i> | 3/4-10 | | | | | | | |
| VG-558-BM16 <i>(14767 equivalent)</i> | M16 | | | | | | | |
| VG-558-BM20 <i>(14751 equivalent)</i> | M20 | | | | | | | |
| VG-551-B38 | 3/8-16 | 1.91" | 1.69" | 1.95" | 1.54" | <p>2" Tube</p> | 1000 lbs. | |
| VG-551-B12 | 1/2-13 | | | | | | | |
| VG-551-B58 | 5/8-11 | | | | | | | |
| VG-551-B34 | 3/4-10 | | | | | | | |
| VG-551-BM16 | M16 | 1.91" | 1.69" | 1.95" | 1.54" | <p>2" Tube</p> | 1760 lbs. | |
| VG-554-B38 | 3/8-16 | | | | | | | |
| VG-554-B12 | 1/2-13 | | | | | | | |
| VG-554-B58 | 5/8-11 | | | | | | | |
| VG-554-B34 | 3/4-10 | 1.65" | 1.57" | 1.65" | 1.34" | <p>1-1/4" Sch. 5 Pipe</p> | 1000 lbs. | |
| VG-554-BM16 <i>(14755 equivalent)</i> | M16 | | | | | | | |
| VG-554-BM20 | M20 | | | | | | | |
| 34219 | 3/8-16 | | | | | | | |
| 34763 | 1/2-13 | 2.37" | 2.20" | 1.97" | 1.50" | <p>2" Sch. 10 Pipe</p> | 1700 lbs. | |
| 34764 | 5/8-11 | | | | | | | |
| 34211 | 5/8-11 | 2.37" | 2.20" | 1.97" | 1.50" | <p>2" Sch. 10 Pipe</p> | 1700 lbs. | |



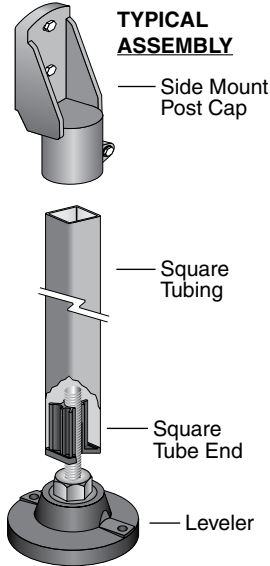
Machine & Equip. Components

Threaded Tube Ends



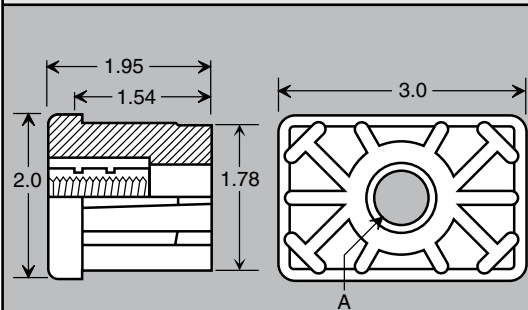
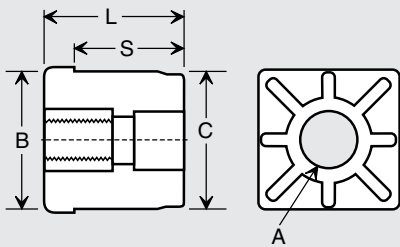
Square Tube Ends

Conveyor and machinery support for use with System Plast adjustable levels.

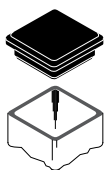


Material: Reinforced polyamide with brass threaded insert.

| Part Number | A | B | C | L | S | Tube Size | Static Load |
|--|--------|-------|-------|-------|-------|-----------|-------------|
| VG-552-B38 | 3/8-16 | 1.50" | 1.37" | 1.71" | 1.38" | | 1000 lbs. |
| VG-552-B12 | 1/2-13 | | | | | | |
| VG-552-B58 | 5/8-11 | | | | | | |
| VG-552-B34 | 3/4-10 | | | | | | |
| VG-552-BM16 <i>(14757 equivalent)</i> | M16 | 1.50" | 1.26" | 1.71" | 1.38" | | 1000 lbs. |
| VG-553-B38 | 3/8-16 | | | | | | |
| VG-553-B12 | 1/2-13 | | | | | | |
| VG-553-B58 | 5/8-11 | | | | | | |
| VG-553-B34 | 3/4-10 | 1.97" | 1.87" | 1.96" | 1.55" | | 1760 lbs. |
| VG-555-B38 | 3/8-16 | | | | | | |
| VG-555-B12 | 1/2-13 | | | | | | |
| VG-555-B58 | 5/8-11 | | | | | | |
| VG-555-B34 | 3/4-10 | 1.97" | 1.78" | 1.96" | 1.55" | | 1000 lbs. |
| VG-555-BM16 <i>(14607 equivalent)</i> | M16 | | | | | | |
| VG-556-B38 | 3/8-16 | | | | | | |
| VG-556-B12 | 1/2-13 | | | | | | |
| VG-556-B58 | 5/8-11 | 1.00" | 0.89" | 1.18" | 1.00" | | 1100 lbs. |
| VG-556-B34 | 3/4-10 | | | | | | |
| VG-556-BM16 <i>(14797 equivalent)</i> | M16 | | | | | | |
| VG-556-BM20 | M20 | | | | | | |
| 34200 | 3/8-16 | 1.00" | 0.89" | 1.18" | 1.00" | | 1100 lbs. |
| 34201 | 1/2-13 | | | | | | |
| 34018 | 3/8-16 | 1.18" | 1.08" | 1.30" | 1.06" | | 1200 lbs. |
| 34040 | 5/8-11 | 2.37" | 2.22" | 2.17" | 1.77" | | 1300 lbs. |
| VG-561-B58 | 5/8-11 | 2.37" | 2.22" | 2.17" | 1.77" | | 1760 lbs. |
| VG-561-B34 | 3/4-10 | | | | | | |
| VG-561-BM16 | M16 | | | | | | |
| VG-561-BM20 | M20 | | | | | | |



Machine & Equip. Components



560

Tube Cap

This smooth plastic cap serves as a practical and aesthetic plug/cover for the ends of square tubing.

Material: ABS plastic.

| Part Number | Tube (sq) x wall |
|---------------|------------------|
| VG-560-1.5-16 | 1-1/2" x .065" |
| VG-560-1.5-11 | 1-1/2" x .120" |
| VG-560-2.0-11 | 2" x .120" |

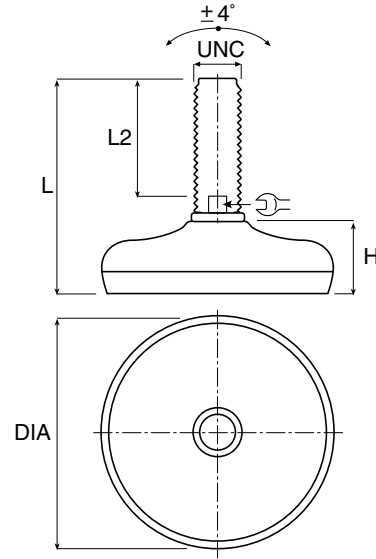
NOTE: Tube Ends provide a friction fit and should be installed with a rubber hammer.



SaniStar

Stainless Steel Leveler

Conveyor and machinery support with built-in vibration pad, polished surface, and sanitary design.



2 Inch Diameter Base

Maximum Recommended Static Load: 680 lbs.

Base Material: Stainless steel and rubber (70 shore).
Stem material: Stainless steel.

| Part Number | Stem UNC Thread | H | L2 | L |
|-------------|-----------------|-----|------|------|
| 177003U | 1/2-13 | .83 | 2.75 | 3.75 |
| 177004U | 1/2-13 | .83 | 3.50 | 4.55 |
| 177005U | 1/2-13 | .83 | 4.65 | 5.30 |
| 177006U | 1/2-13 | .83 | 5.0 | 6.10 |
| 177010U | 5/8-11 | .83 | 2.75 | 3.95 |
| 177011U | 5/8-11 | .83 | 4.25 | 5.50 |

3 Inch Diameter Base

Maximum Recommended Static Load: 1800 lbs.

Base Material: Stainless steel and rubber (70 shore).
Stem material: Stainless steel.

| Part Number | Stem UNC Thread | H | L2 | L |
|-------------|-----------------|-----|------|------|
| 177053U | 1/2-13 | .91 | 2.75 | 3.95 |
| 177054U | 1/2-13 | .91 | 3.50 | 4.70 |
| 177055U | 1/2-13 | .91 | 4.65 | 5.50 |
| 177056U | 1/2-13 | .91 | 5.0 | 6.30 |
| 177060U | 5/8-11 | .91 | 2.75 | 3.95 |
| 177061U | 5/8-11 | .91 | 4.25 | 5.50 |
| 177062U | 5/8-11 | .91 | 6.15 | 7.50 |

4 Inch Diameter Base

Maximum Recommended Static Load: 4500 lbs.

Base Material: Stainless steel and rubber (70 shore).
Stem material: Stainless steel.

| Part Number | Stem UNC Thread | H | L2 | L |
|-------------|-----------------|------|------|------|
| 177104U | 5/8-11 | 1.18 | 4.25 | 5.70 |
| 177105U | 5/8-11 | 1.18 | 6.15 | 7.70 |
| 177108U | 3/4-10 | 1.18 | 4.45 | 6.10 |
| 177109U | 3/4-10 | 1.18 | 6.15 | 7.85 |
| 177110U | 3/4-10 | 1.18 | 7.25 | 9.05 |

5 Inch Diameter Base

Maximum Recommended Static Load: 6800 lbs.

Base Material: Stainless steel and rubber (70 shore).
Stem material: Stainless steel.

| Part Number | Stem UNC Thread | H | L2 | L |
|-------------|-----------------|------|------|------|
| 177158U | 3/4-10 | 1.26 | 4.45 | 6.10 |
| 177159U | 3/4-10 | 1.26 | 6.15 | 7.85 |
| 177160U | 3/4-10 | 1.26 | 7.25 | 9.05 |

General tolerance on total height (L dim) is $\pm .08$ inch.

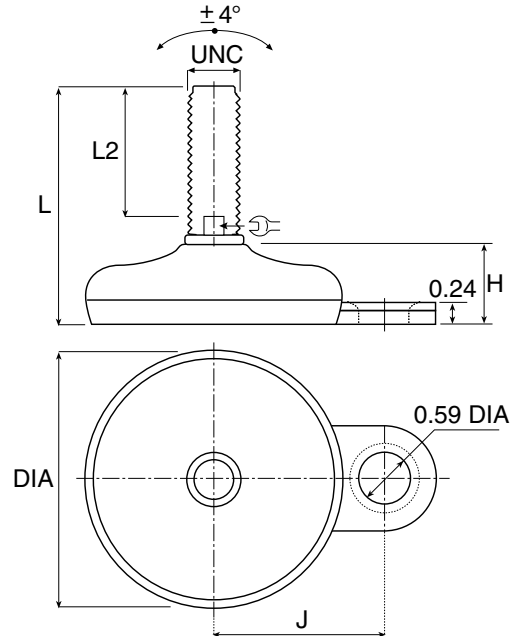
Machine & Equip. Components



SaniStar

Stainless Steel Leveler with Mounting Hole

Conveyor and machinery support with built-in vibration pad, polished surface, and sanitary design.

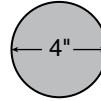


3 Inch Diameter Base with Mounting Hole

Maximum Recommended Static Load: 1800 lbs.

Base Material: Stainless steel and rubber (70 shore).
Stem material: Stainless steel.

| Part Number | Stem | | H | J | L2 | L |
|-------------|------------|-----|------|------|------|---|
| | UNC Thread | | | | | |
| 177203U | 1/2-13 | .91 | 2.07 | 2.75 | 3.95 | |
| 177204U | 1/2-13 | .91 | 2.07 | 4.65 | 5.30 | |
| 177205U | 1/2-13 | .91 | 2.07 | 3.50 | 4.80 | |
| 177206U | 1/2-13 | .91 | 2.07 | 5.0 | 6.30 | |
| 177210U | 5/8-11 | .91 | 2.07 | 2.75 | 3.95 | |
| 177211U | 5/8-11 | .91 | 2.07 | 4.25 | 5.50 | |



4 Inch Diameter Base with Mounting Hole

Maximum Recommended Static Load: 4500 lbs.

Base Material: Stainless steel and rubber (70 shore).
Stem material: Stainless steel.

| Part Number | Stem | | H | J | L2 | L |
|-------------|------------|------|------|------|------|---|
| | UNC Thread | | | | | |
| 177254U | 5/8-11 | 1.18 | 2.56 | 4.25 | 5.70 | |
| 177255U | 5/8-11 | 1.18 | 2.56 | 6.15 | 7.70 | |
| 177258U | 3/4-10 | 1.18 | 2.56 | 4.45 | 6.10 | |
| 177259U | 3/4-10 | 1.18 | 2.56 | 6.15 | 7.85 | |
| 177260U | 3/4-10 | 1.18 | 2.56 | 7.25 | 9.05 | |

Machine & Equip. Components

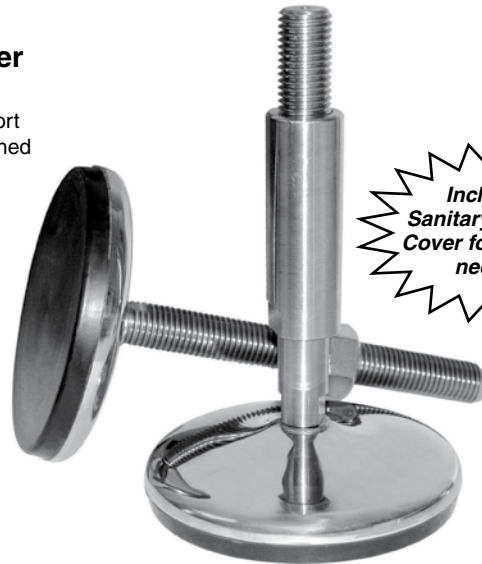
General tolerance on total height (L dim) is ± .08 inch.



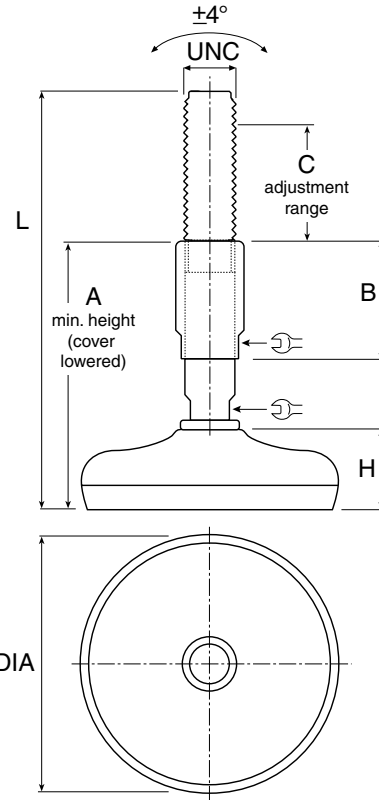
SaniStar

Stainless Steel Leveler with Thread Cover

Conveyor and machinery support with built-in vibration pad, polished surface, and sanitary design.



Includes Sanitary Thread Cover for HACCP needs!



3 Inch Diameter Base with Thread Cover

Maximum Recommended Static Load: 1800 lbs.

Base Material: Stainless steel and rubber (70 shore).
Stem material: Stainless steel.

| Part Number | Stem | | H | B | A | C | L |
|-------------|------------|-----|------|------|------|------|---|
| | UNC Thread | | | | | | |
| 177300U | 5/8-11 | .91 | 2.17 | 3.55 | 1.45 | 7.30 | |
| 177301U | 5/8-11 | .91 | 3.35 | 4.75 | 2.65 | 9.25 | |
| 177302U | 3/4-10 | .91 | 2.17 | 3.55 | 1.45 | 7.30 | |
| 177303U | 3/4-10 | .91 | 3.35 | 4.75 | 2.65 | 9.25 | |

4 Inch Diameter Base with Thread Cover

Maximum Recommended Static Load: 4500 lbs.

Base Material: Stainless steel and rubber (70 shore).
Stem material: Stainless steel.

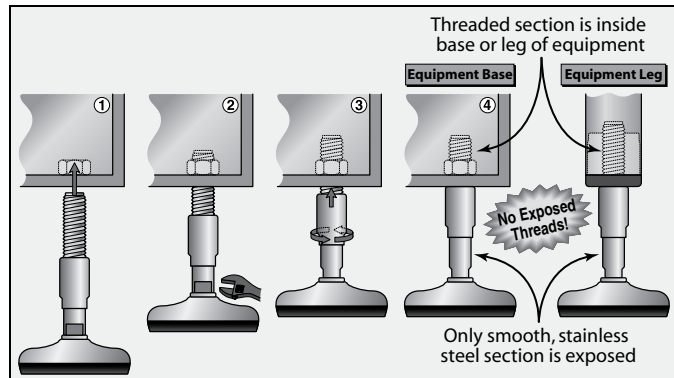
| Part Number | Stem | | H | B | A | C | L |
|-------------|------------|------|------|------|------|------|---|
| | UNC Thread | | | | | | |
| 177310U | 5/8-11 | 1.18 | 2.17 | 3.75 | 1.45 | 7.50 | |
| 177311U | 5/8-11 | 1.18 | 3.35 | 4.95 | 2.65 | 9.45 | |
| 177312U | 3/4-10 | 1.18 | 2.17 | 3.75 | 1.45 | 7.50 | |
| 177313U | 3/4-10 | 1.18 | 3.35 | 4.95 | 2.65 | 9.45 | |

5 Inch Diameter Base with Thread Cover

Maximum Recommended Static Load: 6800 lbs.

Base Material: Stainless steel and rubber (70 shore).
Stem material: Stainless steel.

| Part Number | Stem | | H | B | A | C | L |
|-------------|------------|------|------|------|------|------|---|
| | UNC Thread | | | | | | |
| 177321U | 5/8-11 | 1.26 | 3.35 | 5.15 | 2.65 | 9.65 | |
| 177322U | 3/4-10 | 1.26 | 2.17 | 3.95 | 1.45 | 7.70 | |
| 177323U | 3/4-10 | 1.26 | 3.35 | 5.15 | 2.65 | 9.65 | |



General tolerance on total height (L dim) is ± .08 inch.



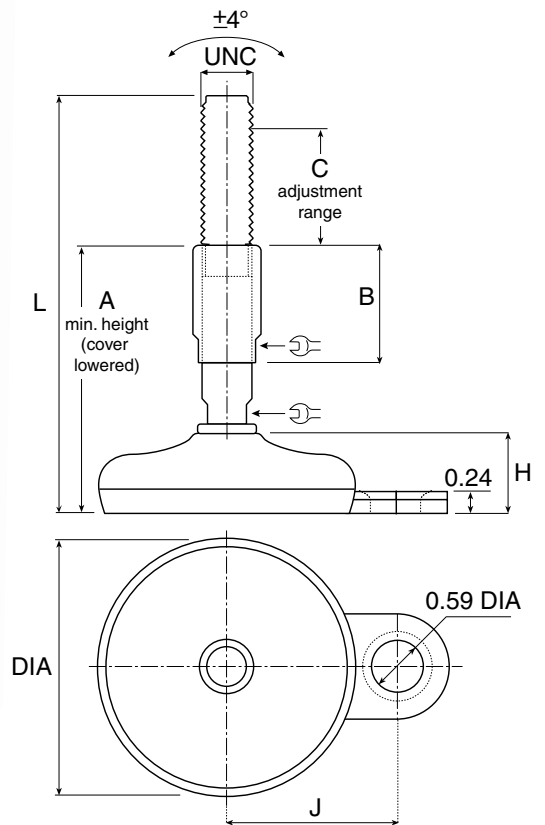
SaniStar

Stainless Steel Leveler with Thread Cover

Conveyor and machinery support with built-in vibration pad, polished surface, and sanitary design.



Includes Sanitary Thread Cover for HACCP needs!

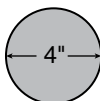


3 Inch Diameter Base with Mounting Hole and Thread Cover

Maximum Recommended Static Load: 1800 lbs.

Base Material: Stainless steel and rubber (70 shore).
Stem material: Stainless steel.

| Part Number | Stem UNC Thread | H | B | J | A | C | L |
|-------------|-----------------|-----|------|-----|------|------|------|
| 177350U | 5/8-11 | .91 | 2.17 | 2.1 | 3.55 | 1.45 | 7.30 |
| 177351U | 5/8-11 | .91 | 3.35 | 2.1 | 4.75 | 2.65 | 9.25 |
| 177352U | 3/4-10 | .91 | 2.17 | 2.1 | 3.55 | 1.45 | 7.30 |
| 177353U | 3/4-10 | .91 | 3.35 | 2.1 | 4.75 | 2.65 | 9.25 |

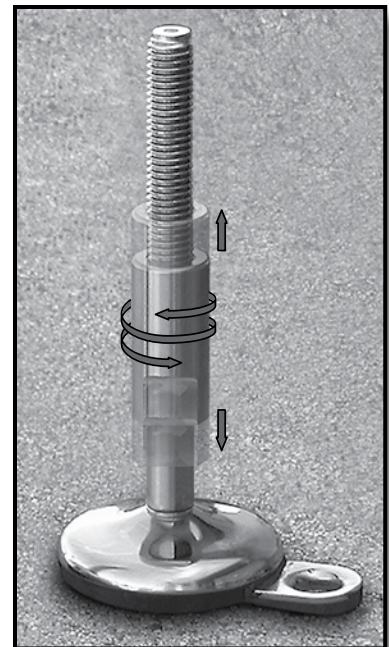


4 Inch Diameter Base with Mounting Hole and Thread Cover

Maximum Recommended Static Load: 4500 lbs.

Base Material: Stainless steel and rubber (70 shore).
Stem material: Stainless steel.

| Part Number | Stem UNC Thread | H | B | J | A | C | L |
|-------------|-----------------|------|------|------|------|------|------|
| 177360U | 5/8-11 | 1.18 | 2.17 | 2.56 | 3.75 | 1.45 | 7.50 |
| 177361U | 5/8-11 | 1.18 | 3.35 | 2.56 | 4.95 | 2.65 | 9.45 |
| 177362U | 3/4-10 | 1.18 | 2.17 | 2.56 | 3.75 | 1.45 | 7.50 |
| 177363U | 3/4-10 | 1.18 | 3.35 | 2.56 | 4.95 | 2.65 | 9.45 |



Machine & Equip. Components

General tolerance on total height (L dim) is ± .08 inch.

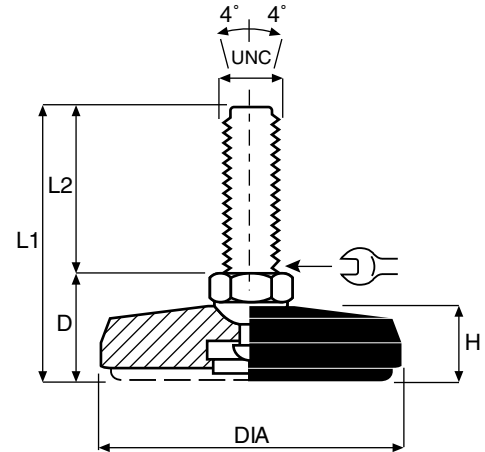


Leveling Pads

Stainless Steel Leveler with Leveling Pad

Conveyor and machinery support with anti-slip pad, polished surface, and sanitary design.

Maximum Recommended Static Load: 11000 lbs.



3.15 Inch Diameter Base with Leveling Pad

Maximum Recommended Static Load: 11000 lbs.

Base and Stem Material: Stainless steel.
Pad Material: Anti-slip rubber (70 shore).

| Part Number | Stem | | DIA | H | D | L1 | L2 |
|-------------|------------|--|------|-----|------|------|------|
| | UNC Thread | | | | | | |
| 37692 | 5/8-11 | | 3.15 | .95 | 1.54 | 6.46 | 4.92 |
| 38309 | 3/4-10 | | 3.15 | .95 | 1.54 | 6.46 | 4.92 |
| 38310 | 3/4-10 | | 3.15 | .95 | 1.54 | 8.82 | 7.28 |

3.94 Inch Diameter Base with Leveling Pad

Maximum Recommended Static Load: 11000 lbs.

Base and Stem Material: Stainless steel.
Pad Material: Anti-slip rubber (70 shore).

| Part Number | Stem | | DIA | H | D | L1 | L2 |
|-------------|------------|--|------|-----|------|------|------|
| | UNC Thread | | | | | | |
| 38322 | 3/4-10 | | 3.94 | .95 | 1.54 | 8.82 | 7.28 |
| 38324 | 1-8 | | 3.94 | .95 | 1.54 | 8.82 | 7.28 |

4.72 Inch Diameter Base with Leveling Pad

Maximum Recommended Static Load: 11000 lbs.

Base and Stem Material: Stainless steel.
Pad Material: Anti-slip rubber (70 shore).

| Part Number | Stem | | DIA | H | D | L1 | L2 |
|-------------|------------|--|------|------|------|------|------|
| | UNC Thread | | | | | | |
| 38333 | 3/4-10 | | 4.72 | 1.10 | 1.69 | 6.61 | 4.92 |
| 38334 | 3/4-10 | | 4.72 | 1.10 | 1.69 | 8.97 | 7.28 |
| 38336 | 1-8 | | 4.72 | 1.10 | 1.69 | 8.97 | 7.28 |

Machine & Equip. Components

General tolerance on total height (L dim) is ± .08 inch.

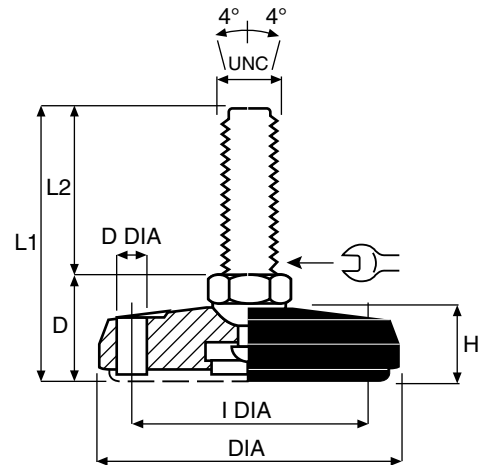


Leveling Pads

Stainless Steel Leveler with Leveling Pad

Conveyor and machinery support with anti-slip pad, polished surface, and sanitary design.

Maximum Recommended Static Load: 11000 lbs.



← 3.15" →
3.15 Inch Diameter Base with Leveling Pad

Maximum Recommended Static Load: 11000 lbs.

Base and Stem Material: Stainless steel. Pad Material: Anti-slip rubber (70 shore).

| Part Number | Stem | | DIA | I DIA | D DIA | H | D | L1 | L2 |
|-------------|------------|--|------|-------|-------|-----|------|------|------|
| | UNC Thread | | | | | | | | |
| 37710 | 5/8-11 | | 3.15 | 2.13 | .35 | .87 | 1.46 | 6.38 | 4.92 |
| 37712 | 3/4-10 | | 3.15 | 2.13 | .35 | .87 | 1.46 | 6.38 | 4.92 |
| 37713 | 3/4-10 | | 3.15 | 2.13 | .35 | .87 | 1.46 | 8.74 | 7.28 |

← 3.94" →
3.94 Inch Diameter Base with Leveling Pad

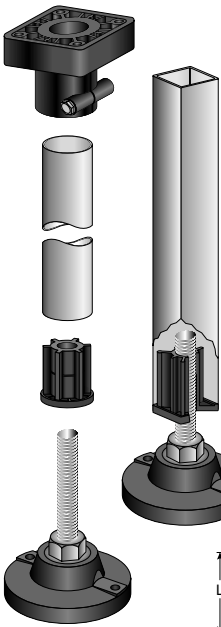
Maximum Recommended Static Load: 11000 lbs.

Base and Stem Material: Stainless steel. Pad Material: Anti-slip rubber (70 shore).

| Part Number | Stem | | DIA | I DIA | D DIA | H | D | L1 | L2 |
|-------------|------------|--|------|-------|-------|-----|------|------|------|
| | UNC Thread | | | | | | | | |
| 37737 | 3/4-10 | | 3.94 | 2.89 | .47 | .95 | 1.54 | 6.46 | 4.92 |
| 37738 | 3/4-10 | | 3.94 | 2.89 | .47 | .95 | 1.54 | 8.82 | 7.28 |
| 37740 | 1-8 | | 3.94 | 2.89 | .47 | .95 | 1.54 | 8.82 | 7.28 |

Machine & Equip. Components

General tolerance on total height (L dim) is ± .08 inch.



VALU GUIDE

Leveler Advantages:

✓ Loc-A-Lign™

Designed for conditions where the foot is exposed to severe lateral impact or upward pressure such as frequent relocation or transporting of equipment. A fastener attached to the stem through the base is used to help prevent separation of the base from the stem.

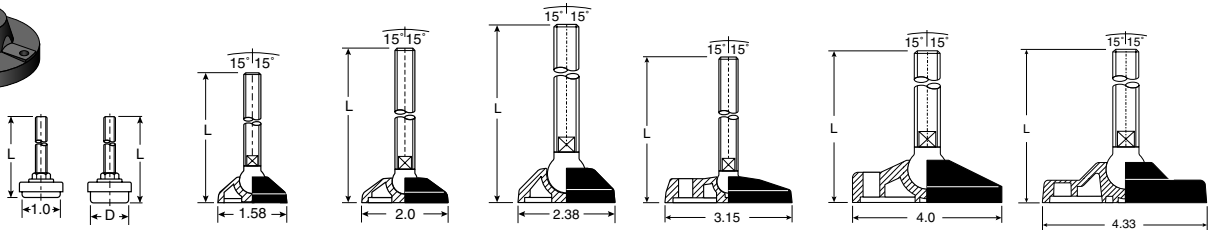


✓ Stem Materials

All leveler stems are available in either 300 series stainless steel for total protection against severe environments or zinc plated steel for economical corrosion resistance.

✓ Base Materials

Corrosion resistant, reinforced polyamide offers superior strength and can operate continuously in temperatures up to 190° F. The VG-525 base material is cast Nylathane. The design allows the levelers to carry loads up to 7,200 pounds. Metal bases are either 300 series stainless steel or zinc plated steel and have load capacities up to 22,000 pounds.



| Part Number | VG-580 | | VG-533 | VG-537 | VG-501 | VG-505 | VG-511 | VG-518 |
|--|--------------------|-----------------------------|--|--|--|--|--|--|
| Static Load (lbs) 2:1 safety factor included | 100 | 100 300 | 700 | 700 | 2000 | 2000 | 2600 | 4000 |
| Available Thread Sizes | 5/16-18 | 5/16-18 (D=1.0) | 3/8-16 M10 1/2-13 M12 5/8-11 M16 | 3/8-16 M10 1/2-13 M12 5/8-11 M16 | 1/2-13 M12 5/8-11 M16 3/4-10 M20 | 3/8-16 M10 1/2-13 M12 5/8-11 M16 | 1/2-13 M12 5/8-11 M16 3/4-10 M20 | 1/2-13 M12 5/8-11 M16 3/4-10 M20 |
| | | 3/8-16 1/2-13 (D=1.5) | | | | | | |
| Overall Length (L) ±1/8" Note: Not all thread sizes are available in all lengths | 2.13" | 2.31" 3.06" 3.98" | 3.70" | 3.90" 6.10" | 4.54" 6.22" 7.71" 10.71" | 3.74" 5.93" | 4.52" 6.20" 7.69" 10.69" | 4.68" 6.36" 7.85" 10.85" |
| Articulation | N/A | | ±15° | ±15° | ±15° Loc-A-Lign ±5° | ±15° | ±15° Loc-A-Lign ±5° | ±15° Loc-A-Lign ±5° |
| Loc-A-Lign™ Available | N/A | | N/A | N/A | Yes | N/A | Yes | N/A |
| Vibration Pad | Standard on VG-580 | | VG-534 | VG-538 | VG-504 | VG-506 | VG-512 | VG-516 |
| Lag Holes Available | N/A | | N/A | N/A | N/A | Double | Single, Double | N/A |
| Page Number | 368 | | 352 | 352 | 353 | 354 | 355-358 | 360 |
| Solid Base Available | N/A | | N/A | N/A | VG-501D page 363 | VG-505D page 364 | N/A | N/A |
| Socket Style | N/A | | N/A | N/A | N/A | N/A | VG-511B page 365 | N/A |

Machine & Equip. Components

✓ Lag Holes

Selected bases are available with single or double lag holes. Single lag holes are especially convenient when access to the base for anchoring purposes is limited.



✓ Threaded Tube Ends

Easily installed on either round or square tubing, tube ends make it easy to add levelers to most conveyor or machinery supports. Simply place the friction fit tube end into the tubing and knock together with a rubber hammer.



✓ Socket Style Bases

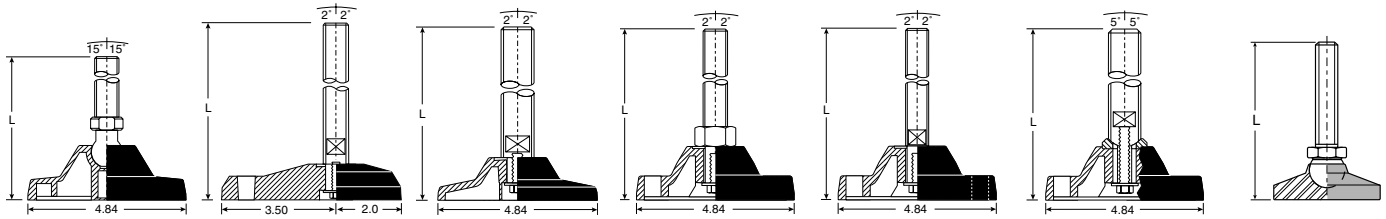
Sockets available in stainless or plated steel. For those applications where an existing stud is present or a custom spindle is required, we can provide a socket style base. Threaded rod for all socket sizes are available in carbon, zinc plated or stainless steel.



Leveler Ordering Information:

VG - 511 - 02 - S34 - L7

model # spindle material/diameter base style approx. OAL



| VG-513 | VG-525 | VG-517-K | VG-520 | VG-520-K | VG-520-T | VG-590 Series |
|--|---|---|--------------------------|---|-------------------------------|---|
| 4400 | 7200 | 7000 | 7000 | 7000 | 7000 | 5000 - 22000 |
| 3/4-10 M20 1-8 M24 | 3/4-10 M20 1-8 M24 1 1/8-7 1 1/4-7 | 3/4-10 M20 1-8 M24 1 1/8-7 1 1/4-7 | 3/4-10 M20 1-8 M24 | 3/4-10 M20 1-8 M24 1 1/8-7 1 1/4-7 | 1-8 M24 1 1/8-7 1 1/4-7 | 1/2-13 M12 5/8-11 M16 3/4-10 M20 1-8 |
| 5.53" 7.03" 8.15" 8.52" 11.52" | 7.25" | 7.50" | 5.97" 7.48" 10.07" | 7.50" | 7.45" 9.95" 11.95" | 1.5" - 9.88" |
| ±15° | ±3° | ±2° | ±2° | ±2° | ±5° | ±15° |
| N/A | N/A | N/A | N/A | N/A | Yes | N/A |
| VG-514 VG-514N | N/A | VG-514 VG-514N | VG-514 VG-514N | VG-514 VG-514N | VG-514 VG-514N | N/A |
| N/A | Single | N/A | Double | Double | Double | N/A |
| 359 | 364 | 361 | 361 | 362 | 362 | 367-368 |
| N/A | VG-525 Page 364 | N/A | N/A | N/A | N/A | Standard |
| VG-513B page 365 | N/A | N/A | N/A | N/A | N/A | 590B series page 368 |

Machine & Equip. Components

Adjustable Levelers — Light Duty



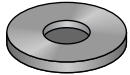
533

Articulating Leveler

Support for light duty machines.

Maximum Recommended Static Load: 700 lbs.

Includes 2:1 safety factor.

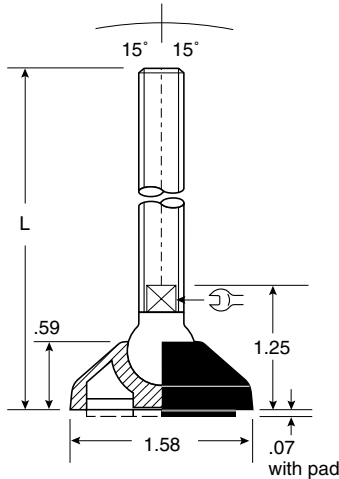


VG-534 Vibration Pad

Neoprene rubber.

Fits any VG-533 series leveler.

Sold separately. See page 363.



Base Material: Reinforced polyamide

| Part Number | Stem Thread | Stem Material | | "L" Dim |
|-------------------|-------------|---------------|-----------|---------|
| | | Zinc | Stainless | |
| VG-533-01-P38-L3 | 3/8-16 | P | | 3.70" |
| VG-533-01-S38-L3 | 3/8-16 | | S | 3.70" |
| VG-533-01-P12-L3 | 1/2-13 | P | | 3.70" |
| VG-533-01-S12-L3 | 1/2-13 | | S | 3.70" |
| VG-533-01-P58-L3 | 5/8-11 | P | | 3.70" |
| VG-533-01-S58-L3 | 5/8-11 | | S | 3.70" |
| VG-533-01-PM10-L3 | M10 | P | | 3.70" |
| VG-533-01-SM12-L3 | M12 | | S | 3.70" |
| VG-533-01-PM16-L3 | M16 | P | | 3.70" |
| VG-533-01-SM16-L3 | M16 | | S | 3.70" |

537

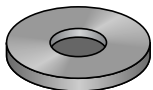
Articulating Leveler

Support for light duty machines.

Maximum Recommended Static Load: 700 lbs.

Includes 2:1 safety factor.

Machine & Equip. Components

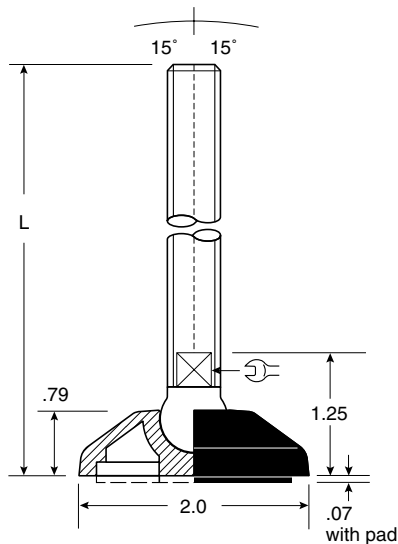


VG-538 Vibration Pad

Neoprene rubber.

Fits any VG-537 series leveler.

Sold separately. See page 363.



Base Material: Reinforced polyamide

| Part Number | Stem Thread | Stem Material | | "L" Dim |
|-------------------|-------------|---------------|-----------|---------|
| | | Zinc | Stainless | |
| VG-537-01-P38-L3 | 3/8-16 | P | | 3.90" |
| VG-537-01-S38-L3 | 3/8-16 | | S | 3.90" |
| VG-537-01-P12-L3 | 1/2-13 | P | | 3.90" |
| VG-537-01-S12-L3 | 1/2-13 | | S | 3.90" |
| VG-537-01-P12-L5 | 1/2-13 | P | | 6.10" |
| VG-537-01-S12-L5 | 1/2-13 | | S | 6.10" |
| VG-537-01-P58-L3 | 5/8-11 | P | | 3.90" |
| VG-537-01-S58-L3 | 5/8-11 | | S | 3.90" |
| VG-537-01-P58-L5 | 5/8-11 | P | | 6.10" |
| VG-537-01-S58-L5 | 5/8-11 | | S | 6.10" |
| VG-537-01-PM10-L3 | M10 | P | | 3.90" |
| VG-537-01-PM12-L3 | M12 | P | | 3.90" |
| VG-537-01-SM12-L3 | M12 | | S | 3.90" |
| VG-537-01-PM12-L5 | M12 | P | | 6.10" |
| VG-537-01-SM12-L5 | M12 | | S | 6.10" |
| VG-537-01-PM16-L3 | M16 | P | | 3.90" |
| VG-537-01-SM16-L3 | M16 | | S | 3.90" |
| VG-537-01-PM16-L5 | M16 | P | | 6.10" |



501

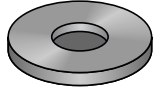
Articulating Leveler

Conveyor and machinery support.

Maximum Recommended

Static Load: 2000 lbs.

Includes 2:1 safety factor.



VG-504 Vibration Pad

Neoprene rubber.

Fits any VG-501 series leveler.

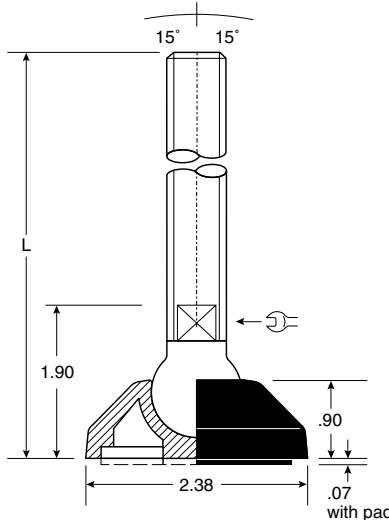
Sold separately. See page 363.

NOTE:

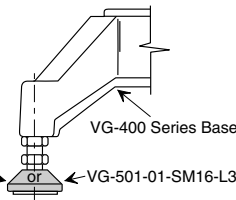
The VG-501 style levelers are available with the underside cavity entirely and permanently filled with urethane, adding 1/8" to the leveler height. Please specify by replacing base style -01 with a -U1 in the part number:

VG-501-01-P12-L3 becomes

VG-501-U1-P12-L3



Typical application:



Base Material: Reinforced polyamide

| Part Number | Stem Thread | Stem Material | | "L" Dim |
|-------------------|-------------|---------------|-----------|---------|
| | | Zinc | Stainless | |
| VG-501-01-P12-L3 | 1/2-13 | P | | 4.54" |
| VG-501-01-S12-L3 | 1/2-13 | | S | 4.54" |
| VG-501-01-P12-L5 | 1/2-13 | P | | 6.22" |
| VG-501-01-S12-L5 | 1/2-13 | | S | 6.22" |
| VG-501-01-P58-L3 | 5/8-11 | P | | 4.54" |
| VG-501-01-S58-L3 | 5/8-11 | | S | 4.54" |
| VG-501-01-P58-L5 | 5/8-11 | P | | 6.22" |
| VG-501-01-S58-L5 | 5/8-11 | | S | 6.22" |
| VG-501-01-P58-L8 | 5/8-11 | P | | 7.71" |
| VG-501-01-S58-L8 | 5/8-11 | | S | 7.71" |
| VG-501-01-P34-L5 | 3/4-10 | P | | 6.22" |
| VG-501-01-S34-L5 | 3/4-10 | | S | 6.22" |
| VG-501-01-P34-L8 | 3/4-10 | P | | 7.71" |
| VG-501-01-S34-L8 | 3/4-10 | | S | 7.71" |
| VG-501-01-P34-L10 | 3/4-10 | P | | 10.71" |
| VG-501-01-S34-L10 | 3/4-10 | | S | 10.71" |
| VG-501-01-PM16-L3 | M16 | P | | 4.51" |
| VG-501-01-SM16-L3 | M16 | | S | 4.51" |
| VG-501-01-PM16-L5 | M16 | P | | 6.22" |
| VG-501-01-SM16-L5 | M16 | | S | 6.22" |
| VG-501-01-PM16-L8 | M16 | P | | 7.71" |
| VG-501-01-SM16-L8 | M16 | | S | 7.71" |
| VG-501-01-SM20-L8 | M20 | | S | 7.71" |

501-T

Loc-A-Lign™ Series Articulating Leveler

Conveyor and machinery support where resistance to stem pull-out is required.

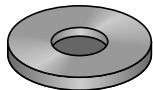
Maximum Recommended

Static Load: 2000 lbs.

Includes 2:1 safety factor.



Loc-A-Lign™
Base is bolted to threaded stem.

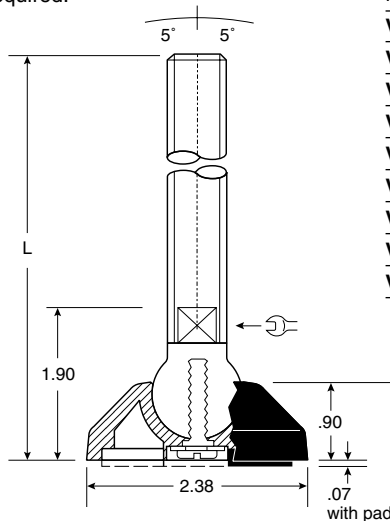


VG-504 Vibration Pad

Neoprene rubber.

Fits any VG-501 series leveler.

Sold separately. See page 363.



Base Material: Reinforced polyamide

Loc-A-Lign Fastener: Stainless steel or zinc plated

| Part Number | Stem Thread | Stem Material | | "L" Dim |
|--------------------|-------------|---------------|-----------|---------|
| | | Zinc | Stainless | |
| VG-501-01-P12-L5T | 1/2-13 | P | | 6.22" |
| VG-501-01-S12-L5T | 1/2-13 | | S | 6.22" |
| VG-501-01-P58-L5T | 5/8-11 | P | | 6.22" |
| VG-501-01-S58-L5T | 5/8-11 | | S | 6.22" |
| VG-501-01-P58-L8T | 5/8-11 | P | | 7.71" |
| VG-501-01-S58-L8T | 5/8-11 | | S | 7.71" |
| VG-501-01-P34-L8T | 3/4-10 | P | | 7.71" |
| VG-501-01-S34-L8T | 3/4-10 | | S | 7.71" |
| VG-501-01-S34-L10T | 3/4-10 | | S | 10.71" |

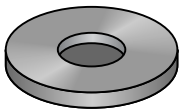
Machine & Equip.
Components

Adjustable Levelers — Medium Duty



VG-505-01-

VG-505-02-



VG-506 Vibration Pad

Neoprene rubber.
Fits any VG-505 series leveler.
Sold separately. See page 363.

505

Articulating Leveler

Conveyor and machinery support.

Maximum Recommended

Static Load: 2000 lbs.

Includes 2:1 safety factor.

Base Material: Reinforced polyamide

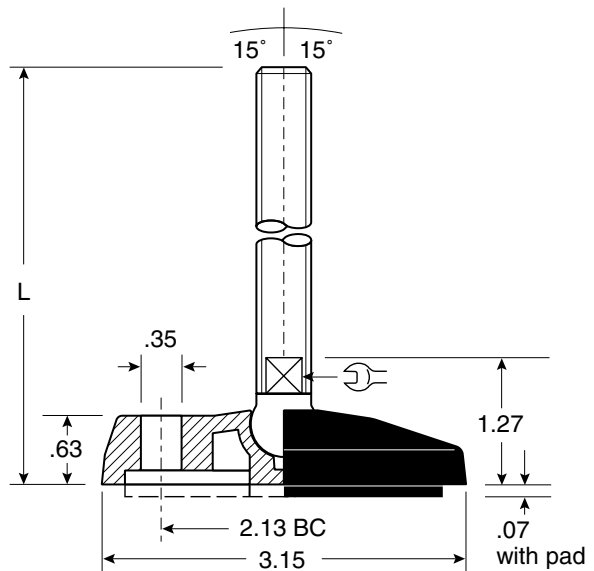
| Part Number | | Stem Thread | Stem Material | | "L" Dim |
|-------------------|--------------------|-------------|---------------|-----------|---------|
| Without Lag Holes | With Two Lag Holes | | Zinc | Stainless | |
| VG-505-01-P38-L3 | VG-505-02-P38-L3 | 3/8-16 | P | | 3.74" |
| VG-505-01-S38-L3 | VG-505-02-S38-L3 | 3/8-16 | | S | 3.74" |
| VG-505-01-P12-L3 | VG-505-02-P12-L3 | 1/2-13 | P | | 3.74" |
| VG-505-01-S12-L3 | VG-505-02-S12-L3 | 1/2-13 | | S | 3.74" |
| VG-505-01-P12-L5 | VG-505-02-P12-L5 | 1/2-13 | P | | 5.93" |
| VG-505-01-S12-L5 | VG-505-02-S12-L5 | 1/2-13 | | S | 5.93" |
| VG-505-01-P58-L3 | VG-505-02-P58-L3 | 5/8-11 | P | | 3.74" |
| VG-505-01-S58-L3 | VG-505-02-S58-L3 | 5/8-11 | | S | 3.74" |
| VG-505-01-P58-L5 | VG-505-02-P58-L5 | 5/8-11 | P | | 5.93" |
| VG-505-01-S58-L5 | VG-505-02-S58-L5 | 5/8-11 | | S | 5.93" |
| VG-505-01-PM10-L3 | VG-505-02-PM10-L3 | M10 | P | | 3.74" |
| VG-505-01-SM10-L3 | VG-505-02-SM10-L3 | M10 | | S | 3.74" |
| VG-505-01-PM12-L3 | - | M12 | P | | 3.74" |
| VG-505-01-SM12-L3 | VG-505-02-SM12-L3 | M12 | | S | 3.74" |
| VG-505-01-PM12-L5 | VG-505-02-PM12-L5 | M12 | P | | 5.93" |
| VG-505-01-SM12-L5 | VG-505-02-SM12-L5 | M12 | | S | 5.93" |
| VG-505-01-PM16-L3 | VG-505-02-PM16-L3 | M16 | P | | 3.74" |
| VG-505-01-SM16-L3 | VG-505-02-SM16-L3 | M16 | | S | 3.74" |
| VG-505-01-PM16-L5 | VG-505-02-PM16-L5 | M16 | P | | 5.93" |
| VG-505-01-SM16-L5 | VG-505-02-SM16-L5 | M16 | | S | 5.93" |

Sanitary

NOTE: The VG-505-01 style levelers (without lag holes) are available with the underside cavity entirely and permanently filled with urethane, adding 1/8" to the leveler height. Please specify by replacing base style -01 with a -U1 in the part number: VG-505-01-P12-L3 becomes VG-505-U1-P12-L3



The urethane filling completely seals the bottom of the leveler, eliminating entrapment areas that can harbor bacterial growth. The material also has a vibration dampening effect and is extremely skid resistant.





511

Articulating Leveler

Conveyor and machinery support.

Maximum Recommended Static Load: 2600 lbs.

Includes 2:1 safety factor.

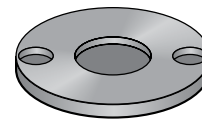
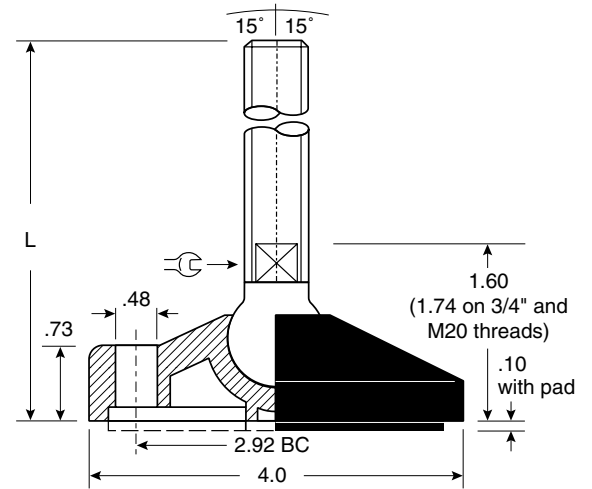


VG-511-01-

VG-511-02-

VG-511-03-

VG-511-04-



VG-512 Vibration Pad

Neoprene rubber.

Fits any VG-511 series leveler.
Sold separately. See page 363.

Machine & Equip. Components

| Base Material: Reinforced polyamide | | | | | | | |
|-------------------------------------|--------------------|------------------------|--------------------------------------|--------|------|-----------|---------|
| Without Lag Holes | With Two Lag Holes | Stem With One Lag Hole | Stem Material With Skinned Lag Holes | Thread | Zinc | Stainless | "L" Dim |
| VG-511-01-P12-L3 | VG-511-02-P12-L3 | VG-511-03-P12-L3 | - | 1/2-13 | P | | 4.52" |
| VG-511-01-S12-L3 | VG-511-02-S12-L3 | VG-511-03-S12-L3 | VG-511-04-S12-L3 | 1/2-13 | | S | 4.52" |
| VG-511-01-P12-L5 | VG-511-02-P12-L5 | VG-511-03-P12-L5 | VG-511-04-P12-L5 | 1/2-13 | P | | 6.20" |
| VG-511-01-S12-L5 | VG-511-02-S12-L5 | VG-511-03-S12-L5 | VG-511-04-S12-L5 | 1/2-13 | | S | 6.20" |
| VG-511-01-P58-L3 | VG-511-02-P58-L3 | VG-511-03-P58-L3 | VG-511-04-P58-L3 | 5/8-11 | P | | 4.52" |
| VG-511-01-S58-L3 | VG-511-02-S58-L3 | VG-511-03-S58-L3 | VG-511-04-S58-L3 | 5/8-11 | | S | 4.52" |
| VG-511-01-P58-L5 | VG-511-02-P58-L5 | VG-511-03-P58-L5 | VG-511-04-P58-L5 | 5/8-11 | P | | 6.20" |
| VG-511-01-S58-L5 | VG-511-02-S58-L5 | VG-511-03-S58-L5 | VG-511-04-S58-L5 | 5/8-11 | | S | 6.20" |
| VG-511-01-P58-L7 | VG-511-02-P58-L7 | VG-511-03-P58-L7 | VG-511-04-P58-L7 | 5/8-11 | P | | 7.69" |
| VG-511-01-S58-L7 | VG-511-02-S58-L7 | VG-511-03-S58-L7 | VG-511-04-S58-L7 | 5/8-11 | | S | 7.69" |
| VG-511-01-P34-L5 | VG-511-02-P34-L5 | VG-511-03-P34-L5 | VG-511-04-P34-L5 | 3/4-10 | P | | 6.20" |
| VG-511-01-S34-L5 | VG-511-02-S34-L5 | VG-511-03-S34-L5 | VG-511-04-S34-L5 | 3/4-10 | | S | 6.20" |
| VG-511-01-P34-L7 | VG-511-02-P34-L7 | VG-511-03-P34-L7 | VG-511-04-P34-L7 | 3/4-10 | P | | 7.69" |
| VG-511-01-S34-L7 | VG-511-02-S34-L7 | VG-511-03-S34-L7 | VG-511-04-S34-L7 | 3/4-10 | | S | 7.69" |
| VG-511-01-P34-L10 | VG-511-02-P34-L10 | VG-511-03-P34-L10 | VG-511-04-P34-L10 | 3/4-10 | P | | 10.69" |
| VG-511-01-S34-L10 | VG-511-02-S34-L10 | VG-511-03-S34-L10 | VG-511-04-S34-L10 | 3/4-10 | | S | 10.69" |
| VG-511-01-PM12-L3 | VG-511-02-PM12-L3 | VG-511-03-PM12-L3 | - | M12 | P | | 4.52" |
| VG-511-01-PM16-L3 | VG-511-02-PM16-L3 | VG-511-03-PM16-L3 | - | M16 | P | | 4.52" |
| VG-511-01-SM16-L3 | VG-511-02-SM16-L3 | VG-511-03-SM16-L3 | VG-511-04-SM16-L3 | M16 | | S | 4.52" |
| VG-511-01-PM16-L5 | VG-511-02-PM16-L5 | VG-511-03-PM16-L5 | - | M16 | P | | 6.20" |
| VG-511-01-SM16-L5 | VG-511-02-SM16-L5 | VG-511-03-SM16-L5 | VG-511-04-SM16-L5 | M16 | | S | 6.20" |
| VG-511-01-PM16-L7 | VG-511-02-PM16-L7 | VG-511-03-PM16-L7 | VG-511-04-PM16-L7 | M16 | P | | 7.69" |
| VG-511-01-SM16-L7 | VG-511-02-SM16-L7 | VG-511-03-SM16-L7 | VG-511-04-SM16-L7 | M16 | | S | 7.69" |
| VG-511-01-SM20-L5 | VG-511-02-SM20-L5 | - | VG-511-04-SM20-L5 | M20 | | S | 6.20" |
| VG-511-01-PM20-L7 | VG-511-02-PM20-L7 | VG-511-03-PM20-L7 | - | M20 | P | | 7.69" |
| VG-511-01-SM20-L7 | VG-511-02-SM20-L7 | VG-511-03-SM20-L7 | VG-511-04-SM20-L7 | M20 | | S | 7.69" |

Adjustable Levelers — Medium Duty



VG-511H-01-

VG-511H-02-

VG-511H-03-

VG-511H-04-

511H

Articulating Leveler

Conveyor and machinery support.

Maximum Recommended

Static Load: 2600 lbs.

Includes 2:1 safety factor.

Base Material: Reinforced polyamide

| Without Lag Holes | With Two Lag Holes | With One Lag Hole | Stem With Skinned Lag Holes | Stem Thread | Material Zinc Stainless | "L" Dim |
|---------------------|---------------------|---------------------|--------------------------------|----------------|----------------------------|---------|
| VG-511H-01-P58-L5 | - | - | VG-511H-04-P58-L5 | 5/8-11 | P | 5.73" |
| VG-511H-01-S58-L5 | VG-511H-02-S58-L5 | VG-511H-03-S58-L5 | VG-511H-04-S58-L5 | 5/8-11 | S | 6.15" |
| VG-511H-01-P58-L7 | VG-511H-02-P58-L7 | VG-511H-03-P58-L7 | - | 5/8-11 | P | 7.31" |
| VG-511H-01-S58-L7 | VG-511H-02-S58-L7 | VG-511H-03-S58-L7 | VG-511H-04-S58-L7 | 5/8-11 | S | 7.69" |
| VG-511H-01-P34-L5 | VG-511H-02-P34-L5 | VG-511H-03-P34-L5 | - | 3/4-10 | P | 6.15" |
| VG-511H-01-S34-L5 | VG-511H-02-S34-L5 | VG-511H-03-S34-L5 | VG-511H-04-S34-L5 | 3/4-10 | S | 6.15" |
| - | VG-511H-02-P34-L7 | VG-511H-03-P34-L7 | VG-511H-04-P34-L7 | 3/4-10 | P | 7.69" |
| VG-511H-01-S34-L7 | VG-511H-02-S34-L7 | VG-511H-03-S34-L7 | VG-511H-04-S34-L7 | 3/4-10 | S | 7.69" |
| VG-511H-01-P34-L10 | VG-511H-02-P34-L10 | VG-511H-03-P34-L10 | - | 3/4-10 | P | 9.95" |
| VG-511H-01-S34-L10 | VG-511H-02-S34-L10 | VG-511H-03-S34-L10 | VG-511H-04-S34-L10 | 3/4-10 | S | 9.95" |
| VG-511H-01-P100-L7 | VG-511H-02-P100-L7 | VG-511H-03-P100-L7 | VG-511H-04-P100-L7 | 1-8 | P | 7.69" |
| VG-511H-01-S100-L7 | VG-511H-02-S100-L7 | VG-511H-03-S100-L7 | VG-511H-04-S100-L7 | 1-8 | S | 7.69" |
| VG-511H-01-P100-L10 | VG-511H-02-P100-L10 | VG-511H-03-P100-L10 | - | 1-8 | P | 9.95" |
| VG-511H-01-S100-L10 | VG-511H-02-S100-L10 | VG-511H-03-S100-L10 | VG-511H-04-S100-L10 | 1-8 | S | 9.95" |
| VG-511H-01-SM20-L7 | VG-511H-02-SM20-L7 | VG-511H-03-SM20-L7 | VG-511H-04-SM20-L7 | M20 | S | 7.69" |
| VG-511H-01-SM20-L10 | VG-511H-02-SM20-L10 | - | VG-511H-04-SM20-L10 | M20 | S | 9.95" |
| VG-511H-01-PM24-L7 | VG-511H-02-PM24-L7 | - | - | M24 | P | 7.69" |
| VG-511H-01-SM24-L7 | VG-511H-02-SM24-L7 | - | VG-511H-04-SM24-L7 | M24 | S | 7.69" |

Machine & Equip. Components

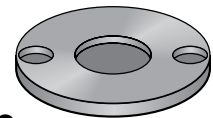


Sanitary

NOTE: The VG-511-01 or VG-511H-01 style levelers (without lag holes) are available with the underside cavity entirely and permanently filled with urethane, adding 1/8" to the leveler height. Please specify by replacing base style -01 with a -U1 in the part number:

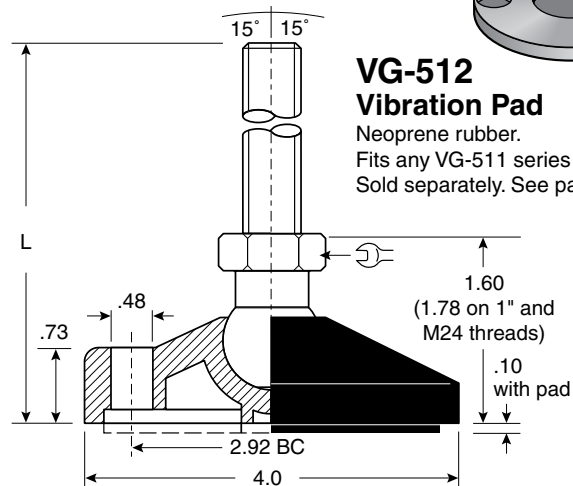
VG-511-01-P58-L7 becomes VG-511-U1-P58-L7

The urethane filling completely seals the bottom of the leveler, eliminating entrapment areas that can harbor bacterial growth. The material also has a vibration dampening effect and is extremely skid resistant.



VG-512 Vibration Pad

Neoprene rubber.
Fits any VG-511 series leveler.
Sold separately. See page 363.





511-T

Loc-A-Lign™ Series Articulating Leveler

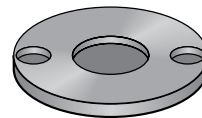
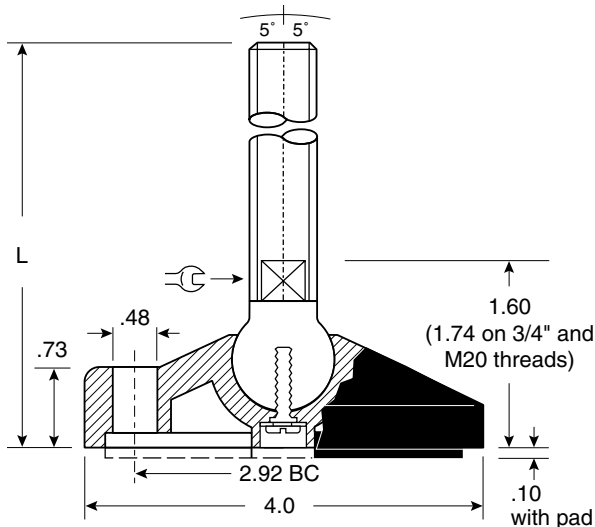
Conveyor and machinery support where resistance to stem pull-out is required.

**Maximum Recommended
Static Load: 2600 lbs.**
Includes 2:1 safety factor.



Base Material: Reinforced polyamide.
Loc-A-Lign fastener: Stainless steel or zinc plated

| Without Lag Holes | With Two Lag Holes | With One Lag Hole | With Skinned Lag Holes | Stem Thread | Stem Material Zinc Stainless | "L" Dim |
|---------------------|---------------------|---------------------|------------------------|-------------|------------------------------------|---------|
| VG-511-01-P12-L5T | VG-511-02-P12-L5T | VG-511-03-P12-L5T | - | 1/2-13 | P | 6.20" |
| VG-511-01-S12-L5T | VG-511-02-S12-L5T | VG-511-03-S12-L5T | - | 1/2-13 | S | 6.20" |
| - | VG-511-02-P58-L5T | VG-511-03-P58-L5T | VG-511-04-P58-L5T | 5/8-11 | P | 6.20" |
| VG-511-01-S58-L5T | VG-511-02-S58-L5T | VG-511-03-S58-L5T | VG-511-04-S58-L5T | 5/8-11 | S | 6.20" |
| VG-511-01-P58-L7T | VG-511-02-P58-L7T | VG-511-03-P58-L7T | VG-511-04-P58-L7T | 5/8-11 | P | 7.69" |
| VG-511-01-S58-L7T | VG-511-02-S58-L7T | VG-511-03-S58-L7T | VG-511-04-S58-L7T | 5/8-11 | S | 7.69" |
| VG-511-01-P34-L5T | VG-511-02-P34-L5T | VG-511-03-P34-L5T | - | 3/4-10 | P | 6.20" |
| - | VG-511-02-S34-L5T | VG-511-03-S34-L5T | VG-511-04-S34-L5T | 3/4-10 | S | 6.20" |
| VG-511-01-P34-L7T | VG-511-02-P34-L7T | VG-511-03-P34-L7T | VG-511-04-P34-L7T | 3/4-10 | P | 7.69" |
| VG-511-01-S34-L7T | VG-511-02-S34-L7T | VG-511-03-S34-L7T | VG-511-04-S34-L7T | 3/4-10 | S | 7.69" |
| VG-511-01-P34-L10T | VG-511-02-P34-L10T | - | - | 3/4-10 | P | 10.69" |
| VG-511-01-S34-L10T | VG-511-02-S34-L10T | VG-511-03-S34-L10T | VG-511-04-S34-L10T | 3/4-10 | S | 10.69" |
| - | VG-511-02-PM16-L5T | VG-511-03-PM16-L5T | - | M16 | P | 6.20" |
| VG-511-01-SM16-L5T | VG-511-02-SM16-L5T | VG-511-03-SM16-L5T | VG-511-04-SM16-L5T | M16 | S | 6.20" |
| VG-511-01-PM16-L7T | - | VG-511-03-PM16-L7T | VG-511-04-PM16-L7T | M16 | P | 7.69" |
| VG-511-01-SM16-L7T | VG-511-02-SM16-L7T | VG-511-03-SM16-L7T | VG-511-04-SM16-L7T | M16 | S | 7.69" |
| VG-511-01-SM20-L7T | VG-511-02-SM20-L7T | VG-511-03-SM20-L7T | VG-511-04-SM20-L7T | M20 | S | 7.69" |
| - | VG-511-02-PM20-L10T | VG-511-03-PM20-L10T | - | M20 | P | 10.69" |
| VG-511-01-SM20-L10T | VG-511-02-SM20-L10T | VG-511-03-SM20-L10T | - | M20 | S | 10.69" |



VG-512 Vibration Pad

Neoprene rubber.
Fits any VG-511 series leveler.
Sold separately. See page 363.

Machine & Equip.
Components

Adjustable Levelers — Medium Duty



511H-T

Articulating Leveler

Conveyor and machinery support.

Maximum Recommended Static Load: 2600 lbs.

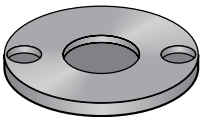
Includes 2:1 safety factor.



Base Material: Reinforced polyamide

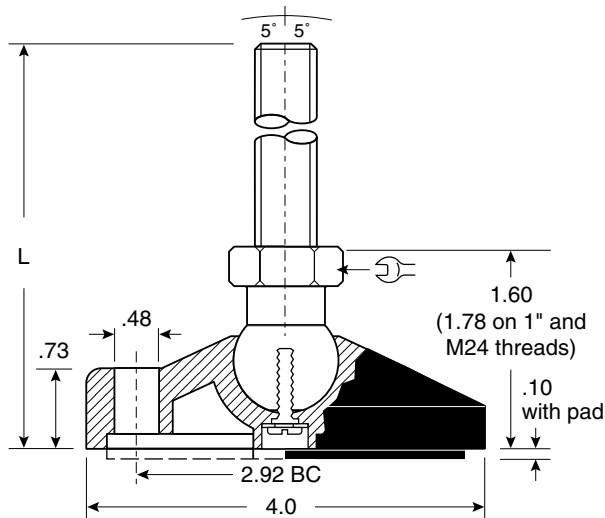
| Without Lag Holes | With Two Lag Holes | With One Lag Hole | With Skinned Lag Holes | Stem Thread | Stem Material Zinc Stainless | "L" Dim |
|----------------------|----------------------|----------------------|------------------------|-------------|------------------------------------|------------|
| VG-511H-01-P58-L5T | VG-511H-02-P58-L5T | VG-511H-03-P58-L5T | - | 5/8-11 | P | 5.73" |
| VG-511H-01-S58-L5T | VG-511H-02-S58-L5T | VG-511H-03-S58-L5T | VG-511H-04-S58-L5T | 5/8-11 | S | 6.15" |
| - | - | - | VG-511H-04-S58-L7T | 5/8-11 | S | 7.69" |
| VG-511H-01-S34-L5T | - | - | VG-511H-04-S34-L5T | 3/4-10 | S | 6.15" |
| VG-511H-01-S34-L7T | VG-511H-02-S34-L7T | VG-511H-03-S34-L7T | VG-511H-04-S34-L7T | 3/4-10 | S | 7.69" |
| - | VG-511H-02-S34-L10T | VG-511H-03-S34-L10T | VG-511H-04-S34-L10T | 3/4-10 | S | 9.95" |
| VG-511H-01-P100-L7T | - | - | - | 1-8 | P | 7.69" |
| - | VG-511H-02-S100-L7T | VG-511H-03-S100-L7T | VG-511H-04-S100-L7T | 1-8 | S | 7.69" |
| VG-511H-01-S100-L10T | VG-511H-02-S100-L10T | VG-511H-03-S100-L10T | VG-511H-04-S100-L10T | 1-8 | S | 9.95" |
| VG-511H-01-SM20-L5T | VG-511H-02-SM20-L5T | - | - | M20 | S | 6.15" |
| VG-511H-01-PM20-L7T | VG-511H-02-PM20-L7T | VG-511H-03-PM20-L7T | VG-511H-04-PM20-L7T | M20 | P | 7.69" |
| - | VG-511H-02-SM20-L7T | VG-511H-03-SM20-L7T | VG-511H-04-SM20-L7T | M20 | S | 7.69" |
| - | VG-511H-02-PM20-L10T | - | - | M20 | P | 9.95" |
| VG-511H-01-SM20-L10T | VG-511H-02-SM20-L10T | - | - | M20 | S | 9.95" |

Machine & Equip. Components



VG-512 Vibration Pad

Neoprene rubber.
Fits any VG-511 series leveler.
Sold separately. See page 363.

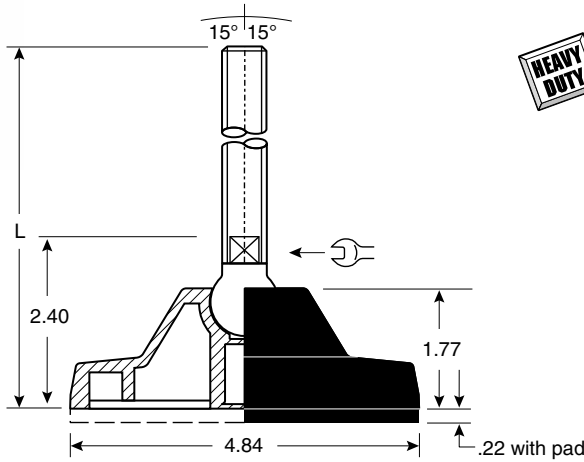




513

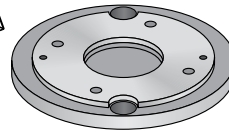
Articulating Leveler Machinery Support

**Maximum Recommended
Static Load: 4400 lbs.**
Includes 2:1 safety factor.



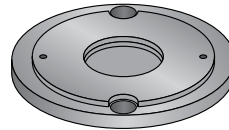
Base Material: Reinforced polyamide

| Part Number | Stem Thread | Stem Material | | "L" Dim |
|-------------------|-------------|---------------|-----------|---------|
| | | Zinc | Stainless | |
| VG-513-01-P34-L5 | 3/4-10 | P | | 7.03" |
| VG-513-01-S34-L5 | 3/4-10 | | S | 7.03" |
| VG-513-01-P34-L8 | 3/4-10 | P | | 8.55" |
| VG-513-01-S34-L8 | 3/4-10 | | S | 8.55" |
| VG-513-01-SM20-L5 | M20 | | S | 7.03" |
| VG-513-01-PM20-L8 | M20 | P | | 8.55" |
| VG-513-01-SM20-L8 | M20 | | S | 8.55" |



VG-514 Vibration Pad

Neoprene rubber with steel plate for even weight distribution. Sold separately. See page 363. Max. load: 7000 lbs.



VG-514N Vibration Pad

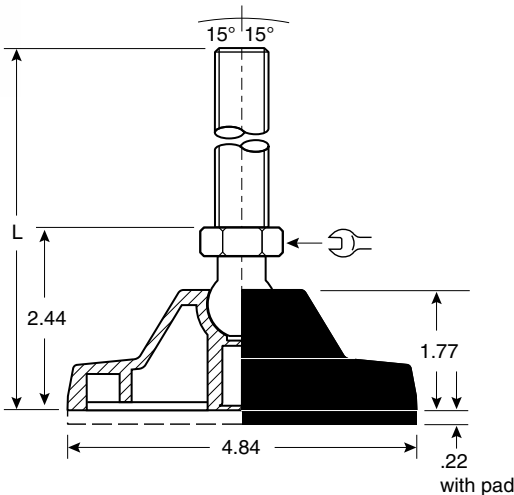
Neoprene rubber for even weight distribution. Sold separately. See page 363. Max. load: 2600 lbs.



513H

Articulating Leveler Machinery Support

**Maximum Recommended
Static Load: 4400 lbs.**
Includes 2:1 safety factor.

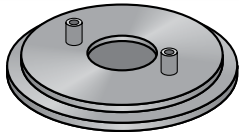


Base Material: Reinforced polyamide

| Part Number | Stem Thread | Stem Material | | "L" Dim |
|---------------------|-------------|---------------|-----------|---------|
| | | Zinc | Stainless | |
| VG-513H-01-P34-L5 | 3/4-10 | P | | 7.03" |
| VG-513H-01-S34-L5 | 3/4-10 | | S | 7.03" |
| VG-513H-01-P34-L7 | 3/4-10 | P | | 8.55" |
| VG-513H-01-S34-L7 | 3/4-10 | | S | 8.55" |
| VG-513H-01-P34-L10 | 3/4-10 | P | | 10.83" |
| VG-513H-01-S34-L10 | 3/4-10 | | S | 10.83" |
| VG-513H-01-P100-L7 | 1-8 | P | | 8.55" |
| VG-513H-01-S100-L7 | 1-8 | | S | 8.55" |
| VG-513H-01-P100-L10 | 1-8 | P | | 10.83" |
| VG-513H-01-S100-L10 | 1-8 | | S | 10.83" |
| VG-513H-01-PM20-L8 | M20 | P | | 8.55" |
| VG-513H-01-SM20-L8 | M20 | | S | 8.55" |
| VG-513H-01-PM20-L10 | M20 | P | | 10.83" |
| VG-513H-01-PM24-L8 | M24 | P | | 8.55" |
| VG-513H-01-SM24-L8 | M24 | | S | 8.55" |
| VG-513H-01-SM24-L10 | M24 | | S | 10.83" |

Machine & Equip.
Components

Adjustable Levelers — Heavy Duty



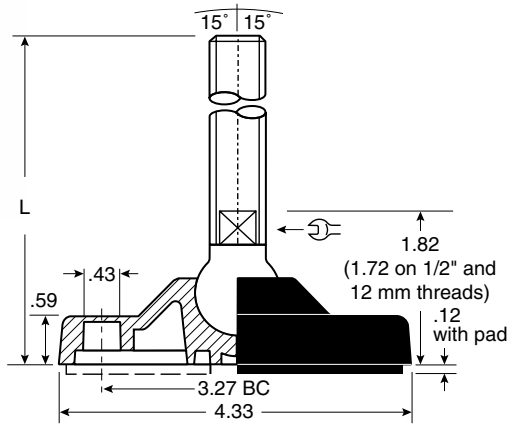
VG-516 Vibration Pad

Flexible PVC. Fits any VG-518 series leveler. Sold separately. See page 363.

518

Support Leveler Machinery Support

**Maximum Recommended
Static Load: 4000 lbs.**
Includes 2:1 safety factor.



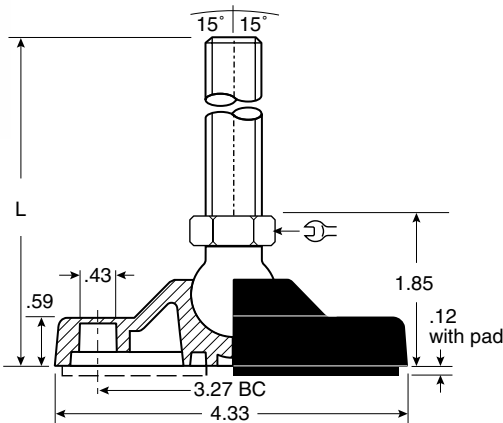
Base Material: Reinforced polyamide

| Part Number | Stem Thread | | Stem Material | | "L" Dim |
|-------------------|-------------|-----------|---------------|-----------|---------|
| | Zinc | Stainless | Zinc | Stainless | |
| VG-518-01-S12-L3 | 1/2-13 | | | S | 4.68" |
| VG-518-01-P12-L5 | 1/2-13 | | P | | 6.36" |
| VG-518-01-S12-L5 | 1/2-13 | | | S | 6.36" |
| VG-518-01-P58-L3 | 5/8-11 | | P | | 4.68" |
| VG-518-01-S58-L3 | 5/8-11 | | | S | 4.68" |
| VG-518-01-P58-L5 | 5/8-11 | | P | | 6.36" |
| VG-518-01-S58-L5 | 5/8-11 | | | S | 6.36" |
| VG-518-01-P58-L7 | 5/8-11 | | P | | 7.85" |
| VG-518-01-S58-L7 | 5/8-11 | | | S | 7.85" |
| VG-518-01-P34-L5 | 3/4-10 | | P | | 6.36" |
| VG-518-01-S34-L5 | 3/4-10 | | | S | 6.36" |
| VG-518-01-P34-L7 | 3/4-10 | | P | | 7.85" |
| VG-518-01-S34-L7 | 3/4-10 | | | S | 7.85" |
| VG-518-01-P34-L10 | 3/4-10 | | P | | 10.85" |
| VG-518-01-S34-L10 | 3/4-10 | | | S | 10.85" |
| VG-518-01-PM12-L3 | M12 | | P | | 4.68" |
| VG-518-01-PM16-L5 | M16 | | P | | 6.36" |
| VG-518-01-SM16-L5 | M16 | | | S | 6.36" |
| VG-518-01-PM16-L7 | M16 | | P | | 7.85" |
| VG-518-01-SM16-L7 | M16 | | | S | 7.85" |
| VG-518-01-SM20-L7 | M20 | | | S | 7.85" |

518H

Support Leveler Machinery Support

**Maximum Recommended
Static Load: 4000 lbs.**
Includes 2:1 safety factor.

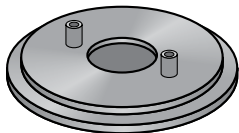
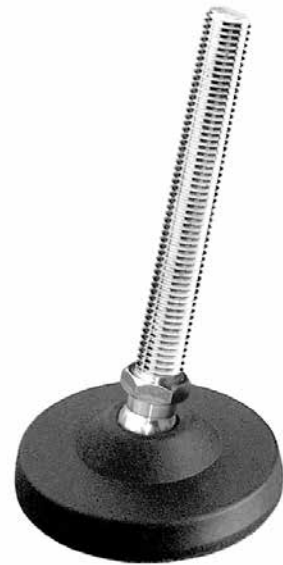


| Part Number | Stem Thread | | Stem Material | | "L" Dim |
|---------------------|-------------|-----------|---------------|-----------|---------|
| | Zinc | Stainless | Zinc | Stainless | |
| VG-518H-01-P34-L5 | 3/4-10 | | P | | 6.29" |
| VG-518H-01-S34-L5 | 3/4-10 | | | S | 6.29" |
| VG-518H-01-P34-L7 | 3/4-10 | | P | | 7.83" |
| VG-518H-01-S34-L7 | 3/4-10 | | | S | 7.83" |
| VG-518H-01-P34-L10 | 3/4-10 | | P | | 10.09" |
| VG-518H-01-S34-L10 | 3/4-10 | | | S | 10.09" |
| VG-518H-01-P100-L7 | 1-8 | | P | | 7.83" |
| VG-518H-01-S100-L7 | 1-8 | | | S | 7.83" |
| VG-518H-01-P100-L10 | 1-8 | | P | | 10.09" |
| VG-518H-01-S100-L10 | 1-8 | | | S | 10.09" |
| VG-518H-01-SM20-L8 | M20 | | | S | 7.83" |
| VG-518H-01-SM20-L10 | M20 | | | S | 10.09" |

VG-516 Vibration Pad

Flexible PVC. Fits any VG-518 series leveler. Sold separately. See page 363.

Machine & Equip.
Components





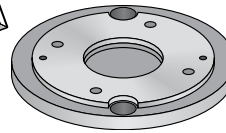
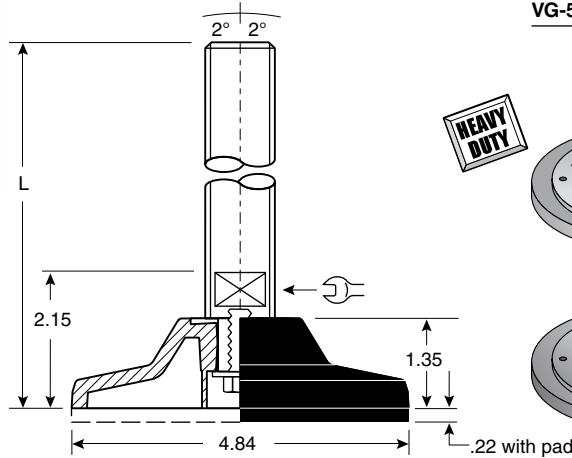
517-K

Support Leveler
Machinery Support

Maximum Recommended Static Load: 7000 lbs.
Includes 2:1 safety factor.

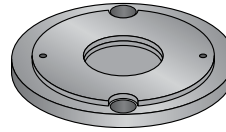
Base Material: Reinforced polyamide

| Part Number | Stem Thread | Stem Material | | "L" Dim |
|--------------------|-------------|---------------|-----------|---------|
| | | Zinc | Stainless | |
| VG-517-01-P34-L7K | 3/4-10 | P | | 7.50" |
| VG-517-01-S34-L7K | 3/4-10 | | S | 7.50" |
| VG-517-01-P100-L7K | 1-8 | P | | 7.48" |
| VG-517-01-S100-L7K | 1-8 | | S | 7.48" |
| VG-517-01-P113-L7K | 1 1/8-7 | P | | 7.48" |
| VG-517-01-S113-L7K | 1 1/8-7 | | S | 7.48" |
| VG-517-01-S125-L7K | 1 1/4-7 | | S | 7.48" |
| VG-517-01-SM20-L7K | M20 | | S | 7.48" |



VG-514 Vibration Pad

Neoprene rubber with steel plate for even weight distribution. Sold separately. See page 363. Max. load: 7000 lbs.



VG-514N Vibration Pad

Neoprene rubber for even weight distribution. Sold separately. See page 363. Max. load: 2600 lbs.



520

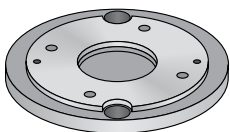
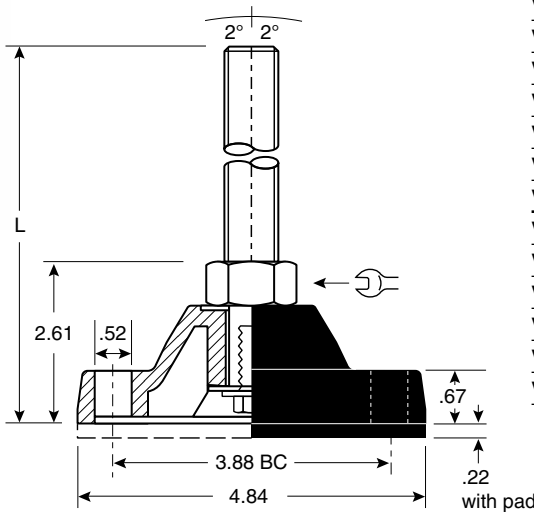


Support Leveler
Machinery Support with adjusting nut welded to stem.

Maximum Recommended Static Load: 7000 lbs.
Includes 2:1 safety factor.

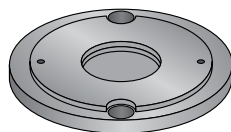
Base Material: Reinforced polyamide

| Part Number | Stem Thread | Stem Material | | "L" Dim |
|--------------------|-------------|---------------|-----------|---------|
| | | Zinc | Stainless | |
| VG-520-02-P34-L5 | 3/4-10 | P | | 5.97" |
| VG-520-02-S34-L5 | 3/4-10 | | S | 5.97" |
| VG-520-02-P34-L7 | 3/4-10 | P | | 7.48" |
| VG-520-02-S34-L7 | 3/4-10 | | S | 7.48" |
| VG-520-02-P34-L10 | 3/4-10 | P | | 10.07" |
| VG-520-02-S34-L10 | 3/4-10 | | S | 10.07" |
| VG-520-02-P100-L7 | 1-8 | P | | 7.48" |
| VG-520-02-S100-L7 | 1-8 | | S | 7.48" |
| VG-520-02-P100-L10 | 1-8 | P | | 10.07" |
| VG-520-02-S100-L10 | 1-8 | | S | 10.07" |
| VG-520-02-PM20-L7 | M20 | P | | 7.48" |
| VG-520-02-SM20-L7 | M20 | | S | 7.48" |
| VG-520-02-SM20-L10 | M20 | | S | 10.07" |
| VG-520-02-PM24-L7 | M24 | P | | 7.48" |
| VG-520-02-PM24-L10 | M24 | P | | 10.07" |
| VG-520-02-SM24-L10 | M24 | | S | 10.07" |



VG-514 Vibration Pad

Neoprene rubber with steel plate for even weight distribution. Sold separately. See page 363. Max. load: 7000 lbs.



VG-514N Vibration Pad

Neoprene rubber for even weight distribution. Sold separately. See page 363. Max. load: 2600 lbs.

Machine & Equip. Components

Adjustable Levelers — Heavy Duty

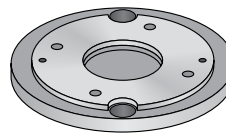
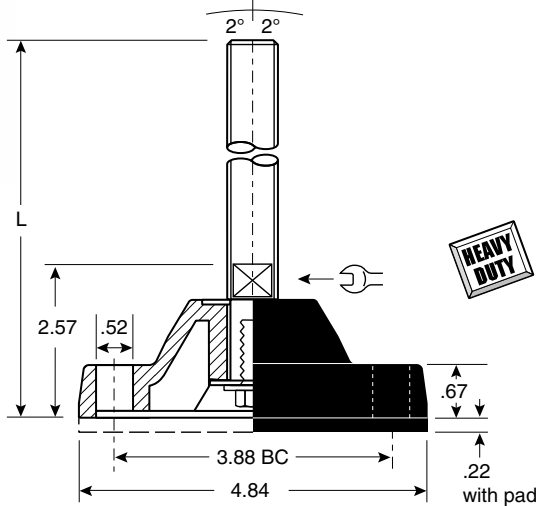
520-K

Support Leveler Machinery Support

**Maximum Recommended
Static Load: 7000 lbs.**
Includes 2:1 safety factor.

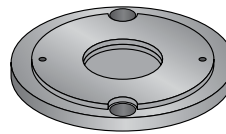
Base Material: Reinforced polyamide

| Part Number | Stem Thread | Stem Material | | "L" Dim |
|--------------------|-------------|---------------|-----------|---------|
| | | Zinc | Stainless | |
| VG-520-02-P34-L7K | 3/4-10 | P | | 7.50" |
| VG-520-02-S34-L7K | 3/4-10 | | S | 7.50" |
| VG-520-02-P100-L7K | 1-8 | P | | 7.50" |
| VG-520-02-S100-L7K | 1-8 | | S | 7.50" |
| VG-520-02-P113-L7K | 1 1/8-7 | P | | 7.50" |
| VG-520-02-S113-L7K | 1 1/8-7 | | S | 7.50" |
| VG-520-02-S125-L7K | 1 1/4-7 | | S | 7.50" |
| VG-520-02-SM20-L7K | M20 | | S | 7.50" |



VG-514 Vibration Pad

Neoprene rubber with steel plate for even weight distribution. Sold separately. See page 363. Max. load: 7000 lbs.



VG-514N Vibration Pad

Neoprene rubber for even weight distribution. Sold separately. See page 363. Max. load: 2600 lbs.

520-T

Loc-A-Lign™ Series Articulating Leveler

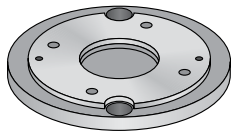
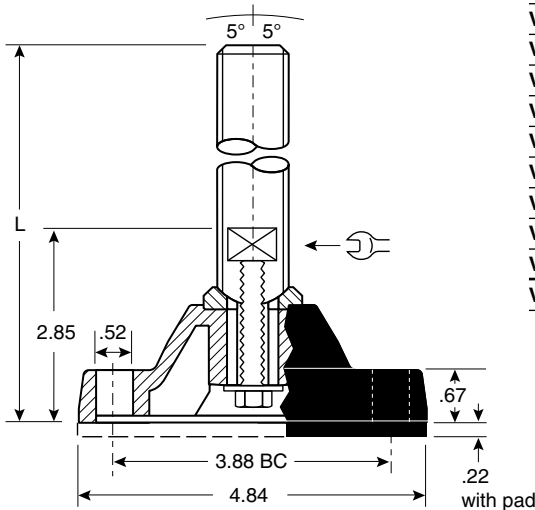
Conveyor and machinery support where resistance to stem pull-out is required.

**Maximum Recommended
Static Load: 7000 lbs.**
Includes 2:1 safety factor.

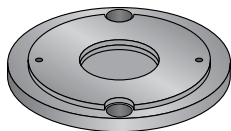
Base Material: Reinforced polyamide

Loc-A-Lign fastener: Stainless steel or zinc plated

| Part Number | Stem Thread | Stem Material | | "L" Dim |
|---------------------|-------------|---------------|-----------|---------|
| | | Zinc | Stainless | |
| VG-520-02-P100-L7T | 1-8 | P | | 7.45" |
| VG-520-02-S100-L7T | 1-8 | | S | 7.45" |
| VG-520-02-P100-L10T | 1-8 | P | | 9.95" |
| VG-520-02-S100-L10T | 1-8 | | S | 9.95" |
| VG-520-02-P100-L12T | 1-8 | P | | 11.95" |
| VG-520-02-S100-L12T | 1-8 | | S | 11.95" |
| VG-520-02-P113-L7T | 1 1/8-7 | P | | 7.45" |
| VG-520-02-S113-L7T | 1 1/8-7 | | S | 7.45" |
| VG-520-02-P113-L10T | 1 1/8-7 | P | | 9.95" |
| VG-520-02-S113-L10T | 1 1/8-7 | | S | 9.95" |
| VG-520-02-S125-L7T | 1 1/4-7 | | S | 7.45" |
| VG-520-02-S125-L10T | 1 1/4-7 | | S | 9.95" |
| VG-520-02-P125-L12T | 1 1/4-7 | P | | 11.95" |
| VG-520-02-S125-L12T | 1 1/4-7 | | S | 11.95" |
| VG-520-02-SM24-L7T | M24 | | S | 7.45" |



VG-514 Vibration Pad



VG-514N Vibration Pad

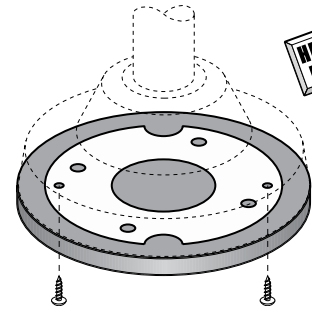
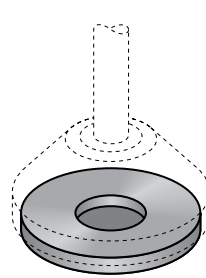
Machine & Equip.
Components

Adjustable Levelers — Solid Bases



Vibration Pads for Adjustable Levelers

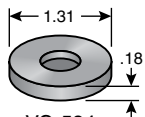
Vibration and skid reduction.
Neoprene Shore: A70-80



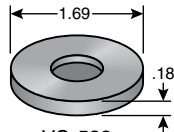
HEAVY DUTY

Press in type: Neoprene rubber.

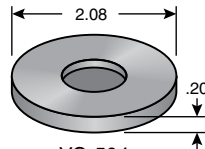
Screw in type: Rubber and metal



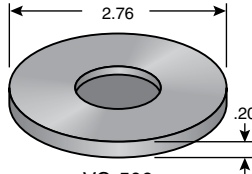
VG-534
For use with:
VG-533 series



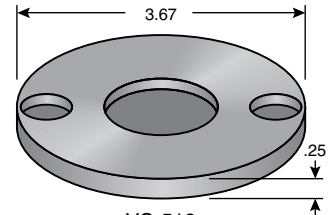
VG-538
For use with:
VG-537 series



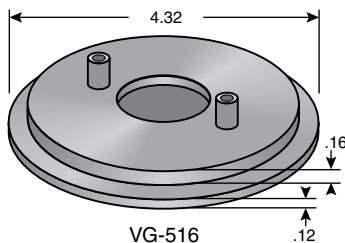
VG-504
For use with:
VG-501 series



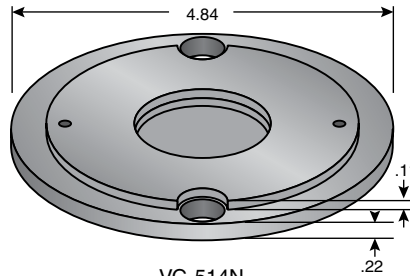
VG-506
For use with:
VG-505 series



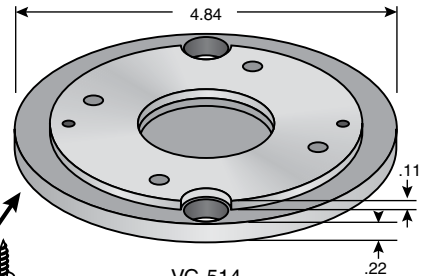
VG-512
For use with:
VG-511 series



VG-516
For use with:
VG-518 series



VG-514N
For use with: VG-513 series,
VG-517-K series, VG-520 series.
Max. load: 2600 lbs.



VG-514
For use with: VG-513 series,
VG-517-K series, VG-520 series.
Max. load: 7000 lbs.

2 screws included with each

501D

Articulating Leveler with Solid Base

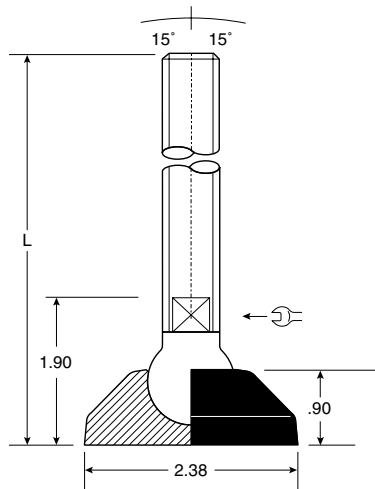
Conveyor and machinery support

Maximum Recommended Static Load: 3000 lbs.
Includes 2:1 safety factor.



VG-501D-01-S12-L3

Higher Load Capacities



Base Material: Reinforced polyamide

| Part Number | Stem Thread | Stem Material | "L" Dim |
|--------------------|-------------|---------------|---------|
| VG-501D-01-P12-L3 | 1/2-13 | P | 4.54" |
| VG-501D-01-S12-L3 | 1/2-13 | S | 4.54" |
| VG-501D-01-P58-L3 | 5/8-11 | P | 4.54" |
| VG-501D-01-S58-L3 | 5/8-11 | S | 4.54" |
| VG-501D-01-P58-L8 | 5/8-11 | P | 7.71" |
| VG-501D-01-S58-L8 | 5/8-11 | S | 7.71" |
| VG-501D-01-P34-L8 | 3/4-10 | P | 7.71" |
| VG-501D-01-S34-L8 | 3/4-10 | S | 7.71" |
| VG-501D-01-P34-L10 | 3/4-10 | P | 10.71" |
| VG-501D-01-S34-L10 | 3/4-10 | S | 10.71" |
| VG-501D-01-SM12-L3 | M12 | S | 4.51" |
| VG-501D-01-PM16-L3 | M16 | P | 4.51" |
| VG-501D-01-SM16-L3 | M16 | S | 4.51" |
| VG-501D-01-PM16-L8 | M16 | P | 7.71" |
| VG-501D-01-SM16-L8 | M16 | S | 7.71" |
| VG-501D-01-SM20-L8 | M20 | S | 7.71" |

Machine & Equip. Components

The new solid base design will support heavier loads and does not have any cavities in the base material.



Adjustable Levelers — Solid Bases

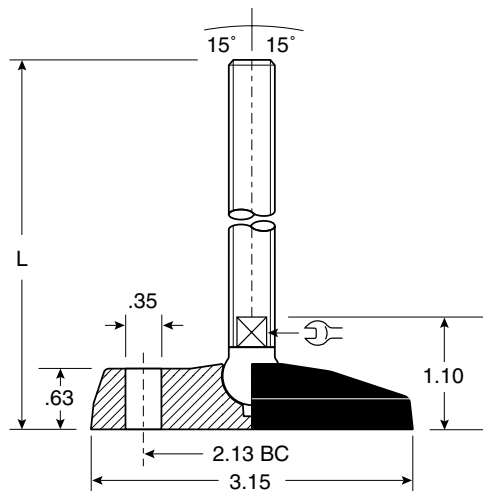


505D

Articulating Leveler with Solid Base

Conveyor and machinery support.

Maximum Recommended Static Load: 3000 lbs. Includes 2:1 safety factor.

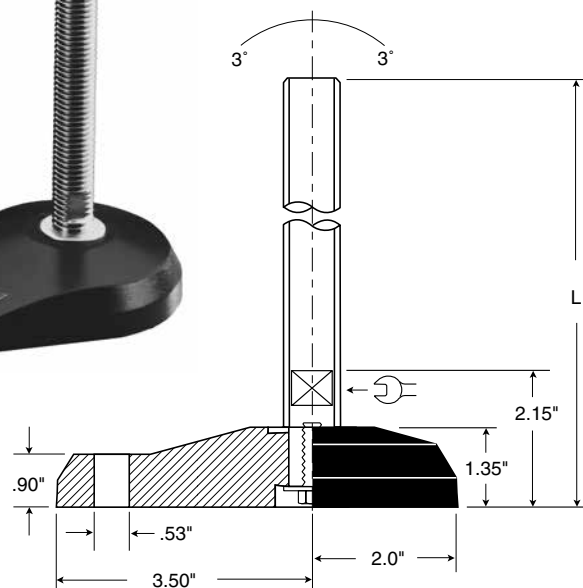
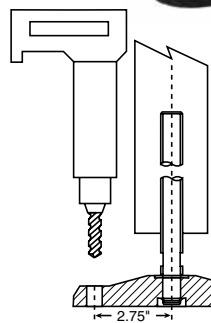


The new solid base design will support heavier loads, and does not have any cavities in the base material.

Base Material: Reinforced polyamide

| Part Number With Two Lag Holes | Stem Thread | Stem Material | | "L" Dim |
|-----------------------------------|----------------|---------------|-----------|---------|
| | | Zinc | Stainless | |
| VG-505D-02-P38-L3 | 3/8-16 | P | | 3.74" |
| VG-505D-02-S38-L3 | 3/8-16 | | S | 3.74" |
| VG-505D-02-P12-L3 | 1/2-13 | P | | 3.74" |
| VG-505D-02-S12-L3 | 1/2-13 | | S | 3.74" |
| VG-505D-02-P12-L5 | 1/2-13 | P | | 5.93" |
| VG-505D-02-S12-L5 | 1/2-13 | | S | 5.93" |
| VG-505D-02-P58-L3 | 5/8-11 | P | | 3.74" |
| VG-505D-02-S58-L3 | 5/8-11 | | S | 3.74" |
| VG-505D-02-P58-L5 | 5/8-11 | P | | 5.93" |
| VG-505D-02-S58-L5 | 5/8-11 | | S | 5.93" |
| VG-505D-02-SM10-L3 | M10 | | S | 3.74" |
| VG-505D-02-SM12-L5 | M12 | | S | 5.93" |
| VG-505D-02-PM16-L3 | M16 | P | | 3.74" |
| VG-505D-02-SM16-L3 | M16 | | S | 3.74" |
| VG-505D-02-PM16-L5 | M16 | P | | 5.93" |
| VG-505D-02-SM16-L5 | M16 | | S | 5.93" |

Machine & Equip.
Components



The lag hole is offset enough to allow sufficient clearance for the use of a heavy duty drill.

525

Support Leveler with Solid Base

Machinery support where lag hole accessibility or high chemical resistance is required.

Maximum Recommended Static Load: 7200 lbs.
Includes 2:1 safety factor.

Base Material: Reinforced polyamide

| Part Number | Stem Thread | Stem Material | | "L" Dim |
|--------------------|----------------|---------------|-----------|---------|
| | | Zinc | Stainless | |
| VG-525-02-P34-L7K | 3/4-10 | P | | 7.25" |
| VG-525-02-S34-L7K | 3/4-10 | | S | 7.25" |
| VG-525-02-P100-L7K | 1-8 | P | | 7.25" |
| VG-525-02-S100-L7K | 1-8 | | S | 7.25" |
| VG-525-02-P113-L7K | 1 1/8-7 | P | | 7.25" |
| VG-525-02-P125-L7K | 1 1/4-7 | P | | 7.25" |
| VG-525-02-S125-L7K | 1 1/4-7 | | S | 7.25" |
| VG-525-02-PM20-L7K | M20 | P | | 7.25" |
| VG-525-02-SM20-L7K | M20 | | S | 7.25" |
| VG-525-02-PM24-L7K | M24 | P | | 7.25" |
| VG-525-02-SM24-L7K | M24 | | S | 7.25" |

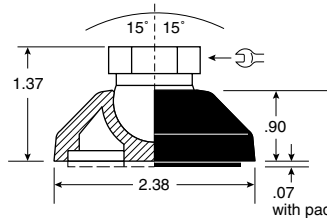


501B

Socket Style

Conveyor and machinery support. Vibration pad sold separately. See page 363.

Maximum Recommended Static Load: 2000 lbs.
Includes 2:1 safety factor.



Base Material: Reinforced polyamide base, stainless steel threaded ball.

| Part Number | Stem Thread |
|-----------------|-------------|
| VG-501B-01-S12 | 1/2-13 |
| VG-501B-01-S58 | 5/8-11 |
| VG-501B-01-S34 | 3/4-10 |
| VG-501B-01-SM16 | M16 |

Valu Guide socket style levelers can be used on existing studs or with Valu Guide threaded rod to fabricate custom stem lengths.

511B

Socket Style

Conveyor and machinery support. Vibration pad sold separately. See page 363.

Maximum Recommended Static Load: 2600 lbs. Includes 2:1 safety factor.



VG-511B-01



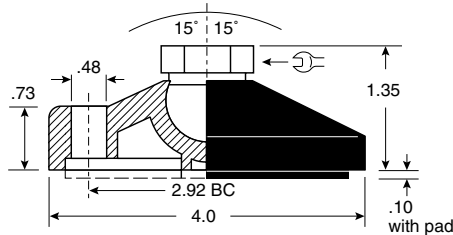
VG-511B-03



VG-511B-02



VG-511B-04



Materials: Reinforced polyamide base, stainless steel threaded ball.

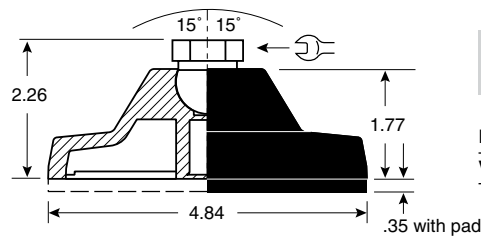
| Part Number | | | | Stem Thread |
|-------------------|-------------------|--------------------|------------------------|-------------|
| Without Lag Holes | With One Lag Hole | With Two Lag Holes | With Skinned Lag Holes | |
| VG-511B-01-S12 | VG-511B-03-S12 | VG-511B-02-S12 | VG-511B-04-S12 | 1/2-13 |
| VG-511B-01-S58 | VG-511B-03-S58 | VG-511B-02-S58 | VG-511B-04-S58 | 5/8-11 |
| VG-511B-01-S34 | VG-511B-03-S34 | VG-511B-02-S34 | VG-511B-04-S34 | 3/4-10 |

513B

Socket Style

Machinery support. Vibration pad sold separately. See page 363.

Maximum Recommended Static Load: 4400 lbs. Includes 2:1 safety factor.



Materials: Reinforced polyamide base, stainless steel threaded ball.

| Part Number | Stem Thread |
|----------------|-------------|
| VG-513B-01-S34 | 3/4-10 |

Machine & Equip. Components



Custom Leveler Request for Quote

Valu Guide will be pleased to quote on levelers manufactured to your special requirements. This page may be copied and used to fax or mail your specifications. Check the box next to the appropriate leveler and use the **Modification** section to denote the changes. For assistance, please contact Valu Guide customer service at 866-765-8744

Fax: 866-447-6587

Person Requesting Custom Information _____

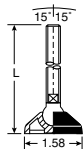
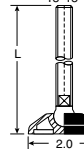
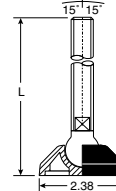
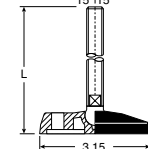
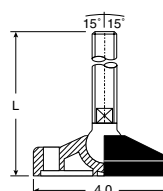
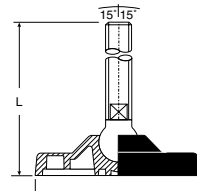
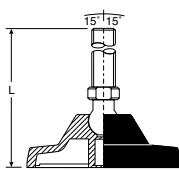
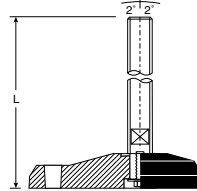
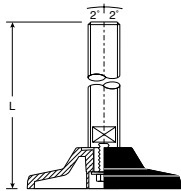
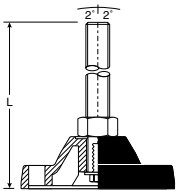
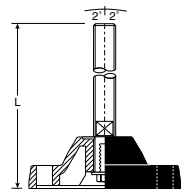
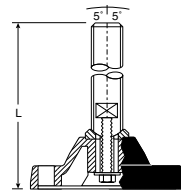
Company Name _____

Address _____

City _____ State _____ Zip _____

Phone () _____ Fax () _____

Select Leveler to be Modified:

| | | | | | |
|--|--|--|--|--|--|
|  |  |  |  |  |  |
| <input type="checkbox"/> VG-533 | <input type="checkbox"/> VG-537 | <input type="checkbox"/> VG-501 | <input type="checkbox"/> VG-505 | <input type="checkbox"/> VG-511 | <input type="checkbox"/> VG-518 |
| | | <input type="checkbox"/> VG-501-T | | <input type="checkbox"/> VG-511-T | |
|  |  |  |  |  |  |
| <input type="checkbox"/> VG-513 | <input type="checkbox"/> VG-525 | <input type="checkbox"/> VG-517-K | <input type="checkbox"/> VG-520 | <input type="checkbox"/> VG-520-K | <input type="checkbox"/> VG-520-T |

Select Modifications:

- BASE MATERIAL:** Reinforced polyamide Reinforced polypropylene
- BASE CONFIGURATION:** Standard Solid Urethane filled
- LAG HOLES REQUIRED:** 0 1 2
- VIBRATION PADS REQUIRED:** Yes No
- STEM MATERIAL:** Plated steel 304 stainless steel 316 stainless steel
- STEM REQUIREMENTS:** Overall leveler height (L) _____ Socket style
 Thread diameter _____
 Screwdriver slot (min. 100 pieces ordered)
 Wrench Flat (min. 100 pieces ordered)

OTHER: _____

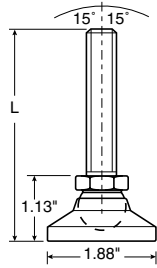
QUANTITY REQUIRED: This order: _____

Annually: _____

DATE DELIVERY REQUIRED: _____

Machine & Equip. Components

Adjustable Levelers — Solid Metal Bases



592

Metal Leveler

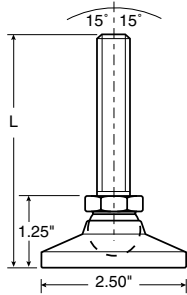
Equipment and machine support requiring a metal leveler.

Maximum Recommended Static Load: 5000 lbs.

Includes 2:1 safety factor.

Base Material: Zinc plated or stainless steel

| Part Number | Stem Thread | Stem Material | | "L" Dim |
|------------------|-------------|---------------|-----------|---------|
| | | Zinc | Stainless | |
| VG-592-01-P12-L3 | 1/2-13 | P | | 3.13" |
| VG-592-01-S12-L3 | 1/2-13 | | S | 3.13" |
| VG-592-01-P12-L5 | 1/2-13 | P | | 5.13" |
| VG-592-01-S12-L5 | 1/2-13 | | S | 5.13" |



594

Metal Leveler

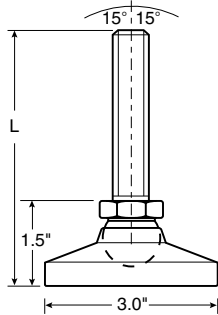
Equipment and machine support requiring a metal leveler.

Maximum Recommended Static Load: 6000 lbs.

Includes 2:1 safety factor.

Base Material: Zinc plated or stainless steel

| Part Number | Stem Thread | Stem Material | | "L" Dim |
|-------------------|-------------|---------------|-----------|---------|
| | | Zinc | Stainless | |
| VG-594-01-S58-L3 | 5/8-11 | | S | 3.25" |
| VG-594-01-P58-L5 | 5/8-11 | P | | 5.25" |
| VG-594-01-S58-L5 | 5/8-11 | | S | 5.25" |
| VG-594-01-PM16-L3 | M16 | P | | 3.25" |
| VG-594-01-SM16-L3 | M16 | | S | 3.25" |



596

Metal Leveler

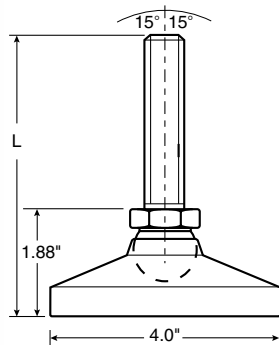
Equipment and machine support requiring a metal leveler.

Maximum Recommended Static Load: 7200 lbs.

Includes 2:1 safety factor.

Base Material: Zinc plated or stainless steel

| Part Number | Stem Thread | Stem Material | | "L" Dim |
|-------------------|-------------|---------------|-----------|---------|
| | | Zinc | Stainless | |
| VG-596-01-P34-L3 | 3/4-10 | P | | 3.5" |
| VG-596-01-S34-L3 | 3/4-10 | | S | 3.5" |
| VG-596-01-P34-L5 | 3/4-10 | P | | 5.5" |
| VG-596-01-S34-L5 | 3/4-10 | | S | 5.5" |
| VG-596-01-SM20-L3 | M20 | | S | 3.5" |



598

Metal Leveler

Equipment and machine support requiring a metal leveler.

Maximum Recommended Static Load: 22000 lbs.

Includes 2:1 safety factor.

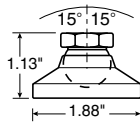
Base Material: Zinc plated or stainless steel

| Part Number | Stem Thread | Stem Material | | "L" Dim |
|--------------------|-------------|---------------|-----------|---------|
| | | Zinc | Stainless | |
| VG-598-01-P100-L6 | 1-8 | P | | 6.13" |
| VG-598-01-S100-L6 | 1-8 | | S | 6.13" |
| VG-598-01-P100-L10 | 1-8 | P | | 9.88" |
| VG-598-01-S100-L10 | 1-8 | | S | 9.88" |

Machine & Equip. Components



Adjustable Levelers — Solid Metal Bases



592B

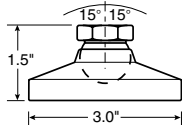
Socket Style

Equipment and machine support requiring a metal leveler.

Max. Rec. Static Load: 5000 lbs.
Includes 2:1 safety factor.

Base Material: Zinc plated or stainless steel

| Part Number | Stem Thread | Stem Material | |
|----------------|-------------|---------------|-----------|
| | | Zinc | Stainless |
| VG-592B-01-P12 | 1/2-13 | P | |
| VG-592B-01-S12 | 1/2-13 | | S |



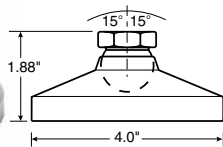
596B

Socket Style

Equipment and machine support requiring a metal leveler.

Max. Rec. Static Load: 7200 lbs.
Includes 2:1 safety factor.

| | | | |
|-----------------|--------|---|---|
| VG-596B-01-P34 | 3/4-10 | P | |
| VG-596B-01-S34 | 3/4-10 | | S |
| VG-596B-01-PM20 | M20 | P | |
| VG-596B-01-SM20 | M20 | | S |



598B

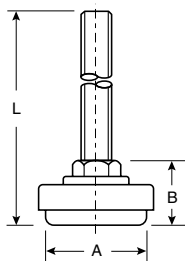
Socket Style

Equipment and machine support requiring a metal leveler.

Max. Rec. Static Load: 22000 lbs.
Includes 2:1 safety factor.

| | | | |
|-----------------|-----|---|---|
| VG-598B-01-P100 | 1-8 | P | |
| VG-598B-01-S100 | 1-8 | | S |

Machine & Equip. Components



580-NY

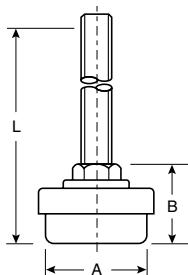
Adjustable Glides (Nylon Base)

Light duty leveling.

Maximum Recommended Static Load: 100 lbs.
Includes 2:1 safety factor.

Base Material: Nylon base with zinc or black plated steel finish.
Rockwell rating of base: R105 to R118 steel finish.

| Part Number | Stem Thread | Steel Finish | | | L | |
|-------------------|-------------|--------------|-------|------|-------|-------|
| | | Zinc | Black | A | | |
| VG-580-NY-P516-L2 | 5/16-18 | P | | 1.0" | 0.63" | 2.13" |



580-NE

Adjustable Glides (Neoprene Base)

Light duty leveling.

Maximum Recommended Static Load: 300 lbs.
(5/16-18 thread: 100 lbs.)
Includes 2:1 safety factor.

Base Material: Neoprene base with zinc or black plated steel finish.
Shore rating of base: 70 to 80

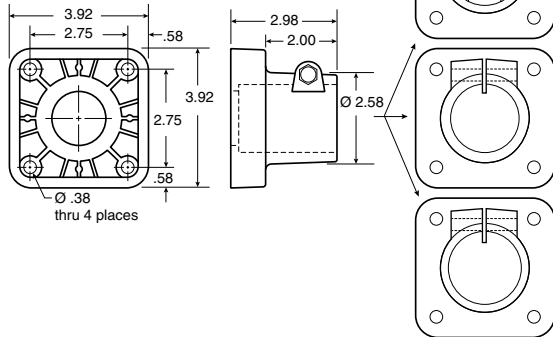
| Part Number | Stem Thread | Steel Finish | | | L | |
|-------------------|-------------|--------------|-------|-------|-------|-------|
| | | Zinc | Black | A | | |
| VG-580-NE-P516-L2 | 5/16-18 | P | | 1.0" | 0.81" | 3.98" |
| VG-580-NE-P38-L4 | 3/8-16 | P | | 1.50" | 0.98" | 3.98" |
| VG-580-NE-B38-L4 | 3/8-16 | | B | 1.50" | 0.98" | 3.98" |
| VG-580-NE-P12-L3 | 1/2-13 | P | | 1.50" | 1.06" | 3.06" |
| VG-580-NE-B12-L3 | 1/2-13 | | B | 1.50" | 1.06" | 3.06" |



307

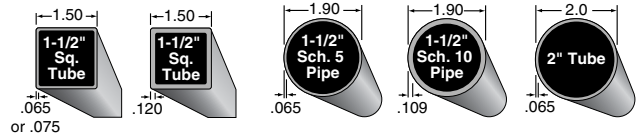
Post Cap

Holds support legs made of 1-1/2 pipe or 2 inch OD tubing. Adapts to a variety of mounting configurations. Stainless steel tightening hardware included.



Material: Reinforced polyamide with stainless steel fasteners.

| Part Number | Pipe Size | Tube Size |
|----------------|-----------|-----------|
| VG-307-1.50 | 1-1/2 | - |
| VG-307-T2.0 | - | 2 (OD) |
| VG-307SQ-T1.50 | - | 1-1/2 SQ. |

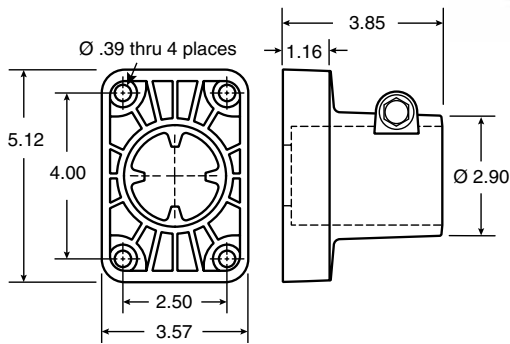


See page 342-343 for threaded tube ends.

308

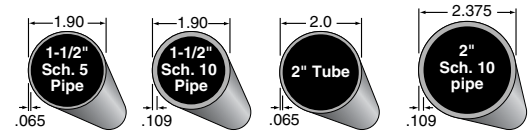
Post Cap

Holds support legs made of pipe or tube. Adapts to a variety of mounting configurations. Stainless steel tightening hardware included.

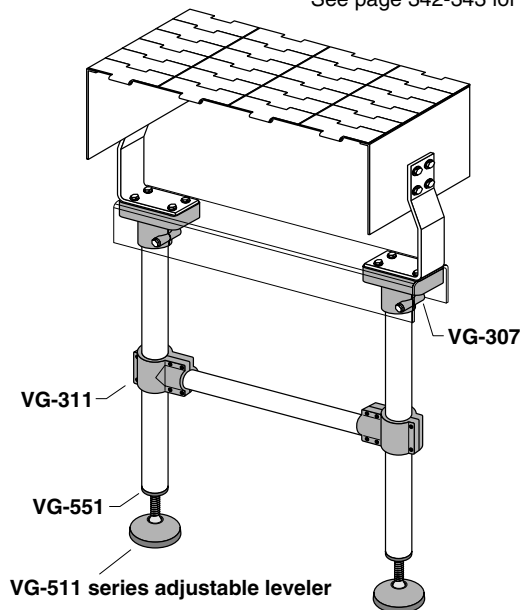
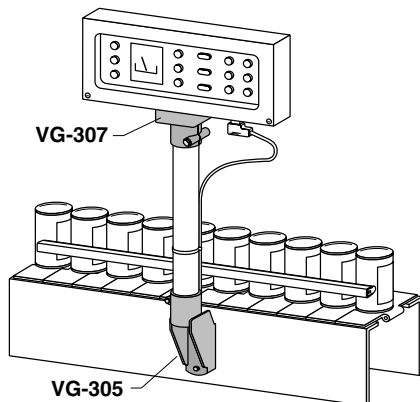


Material: Reinforced polyamide with stainless steel fasteners.

| Part Number | Pipe Size | Tube Size |
|-------------|-----------|-----------|
| VG-308-1.50 | 1-1/2 | - |
| VG-308-T2.0 | - | 2 (OD) |
| VG-308-2.00 | 2 | - |



See page 342-343 for threaded tube ends.



Machine & Equip.
Components

Post Caps and Leg Ties

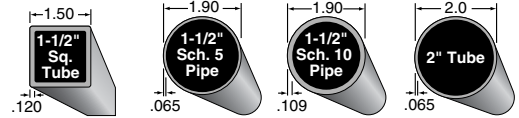
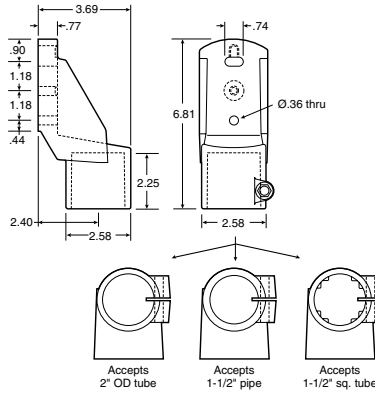


305

Side Mount Post Cap

Holds support legs made of 1-1/2 inch pipe, 1-1/2 square tubing, or 2 inch OD tubing.

Max. Recommended Static Load: 4400 lbs.
Includes 2:1 safety factor.



See page 342-343 for threaded tube ends.

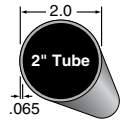
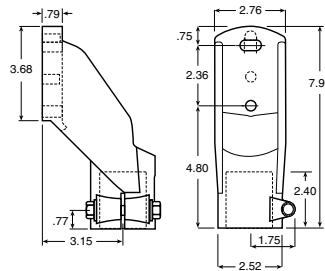
Material: Reinforced polyamide with stainless steel fasteners.

| Part Number | Pipe Size | Tube Size |
|----------------|-----------|-----------|
| VG-305-1.50 | 1-1/2 | - |
| VG-305-T2.0 | - | 2 (OD) |
| VG-305SQ-T1.50 | - | 1-1/2 SQ. |

147

Side Mounting Top Bracket

Holds support legs made of 2 inch OD tubing.



See page 342-343 for threaded tube ends.

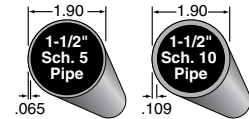
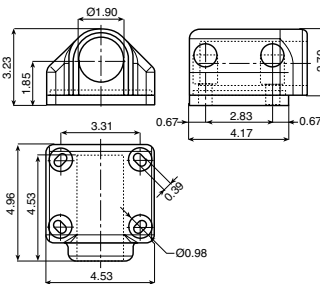
Material: Reinforced polyamide with stainless steel fasteners.

| Part Number | Pipe Size | Tube Size |
|-------------|-----------|-----------|
| 14744N | 2 | - |

14053

Side Mounting Bracket

For supporting side guides.



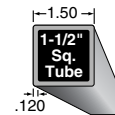
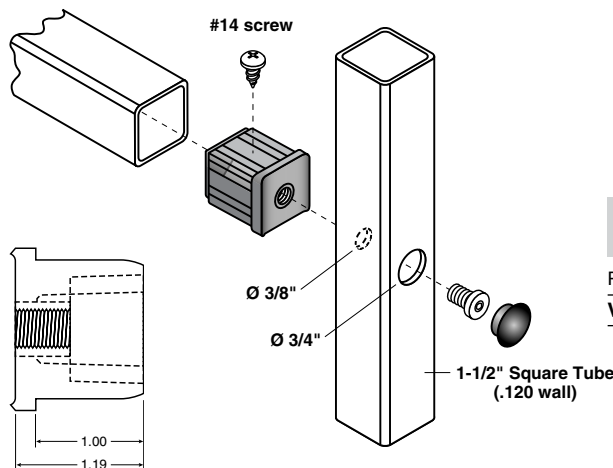
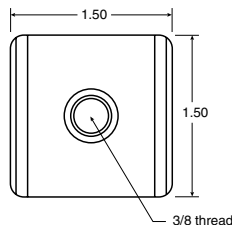
Material: Reinforced polyamide.

| Part Number | Pipe Size |
|-------------|-----------|
| 14053 | 1-1/2 |

C115

Connector for Square Tubing

Hardware included.



Material: Reinforced polyamide with stainless steel fasteners.

| Part Number | Fits Tube Size |
|-------------|----------------|
| VG-C115 | 1-1/2 SQ. |

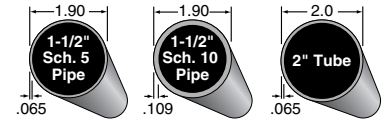
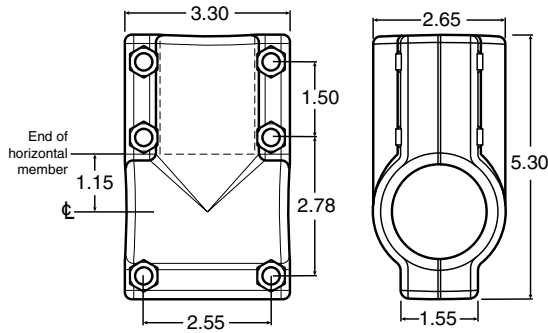
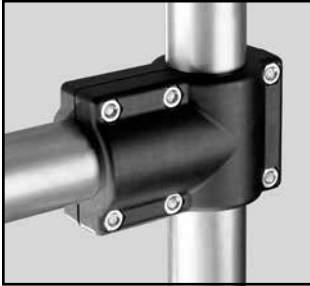
Machine & Equip.
Components



311

Tee Leg Tie

Ties conveyor support legs together at 90° for reinforcement.



See page 342-343 for threaded tube ends.

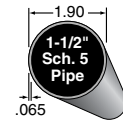
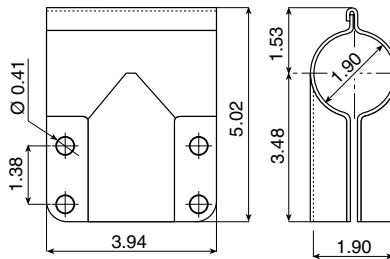
Material: Reinforced polyamide with stainless steel fasteners.

| Part Number | Vertical Member | Horizontal Member |
|---------------|-----------------|-------------------|
| 14729 | 1-1/4" pipe | 1-1/4" pipe |
| 14734 | 1-1/2" pipe | 1-1/4" pipe |
| VG-311-1515-M | 1-1/2" pipe | 1-1/2" pipe |
| VG-311-T2020 | 2" tube | 2" tube |

13827

Connecting Joints

Holds support legs made from round tubing. Hardware not included.



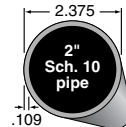
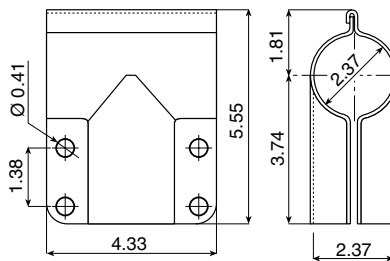
Material: Stainless steel.

| Part Number | Vertical Member | Horizontal Member |
|-------------|-----------------|-------------------|
| 13827 | 1-1/2" pipe | 1-1/2" pipe |

13828

Connecting Joints

Holds support legs made from round tubing. Hardware not included.



Material: Stainless steel.

| Part Number | Vertical Member | Horizontal Member |
|-------------|-----------------|-------------------|
| 13828 | 2" pipe | 2" pipe |

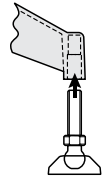
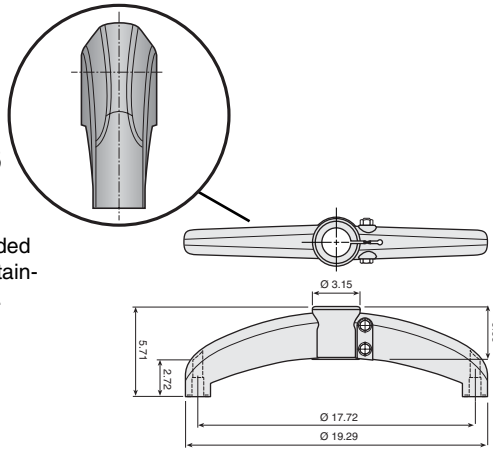
Machine & Equip. Components

Bipod Bases

350/150 series

Bipod Base

Leg base for machinery support. Threaded leg inserts for adjustable levelers and stainless steel tightening hardware included.

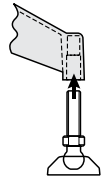
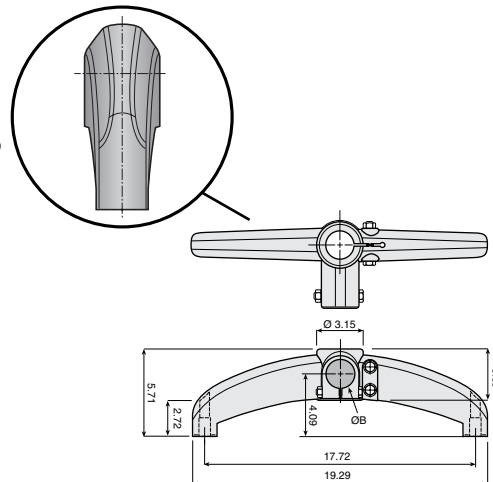


| Part Number | Type | Thread |
|-------------|-------------|--------|
| 35058 | 1-1/4" pipe | 5/8 |
| 35060 | 1-1/2" pipe | 5/8 |
| 35062 | 2" tube | 5/8 |
| 35064 | 2" pipe | 5/8 |
| 15058 | 1-1/4" pipe | M16 |
| 15060 | 1-1/2" pipe | M16 |
| 15062 | 2" tube | M16 |
| 15064 | 2" pipe | M16 |

350/150 series

Bipod Base & Cross-Tie

Leg base for machinery support plus 1-1/4 or 1-1/2 pipe cross-tie arm openings for increased lateral stability. Threaded leg inserts for adjustable levelers and stainless steel tightening hardware included.



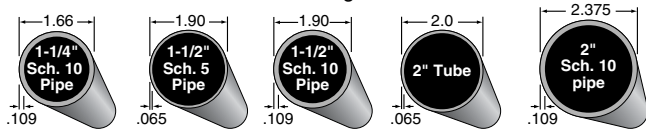
| Part Number | Type | Horiz. Tie (B) | Thread |
|-------------|-------------|----------------|--------|
| 35066 | 1-1/4" pipe | 1-1/4" pipe | 5/8 |
| 35068 | 1-1/2" pipe | 1-1/4" pipe | 5/8 |
| 35070 | 2" tube | 1-1/4" pipe | 5/8 |
| 35072 | 2" pipe | 1-1/4" pipe | 5/8 |
| 35074 | 1-1/2" pipe | 1-1/2" pipe | 5/8 |
| 35076 | 2" tube | 1-1/2" pipe | 5/8 |
| 35078 | 2" pipe | 1-1/2" pipe | 5/8 |
| 15068 | 1-1/2" pipe | 1-1/4" pipe | M16 |
| 15070 | 2" tube | 1-1/4" pipe | M16 |
| 15072 | 2" pipe | 1-1/4" pipe | M16 |
| 15074 | 1-1/2" pipe | 1-1/2" pipe | M16 |
| 15076 | 2" tube | 1-1/2" pipe | M16 |

Machine & Equip.
Components



Tripod and Bipod Bases

Bases can be used with the following:

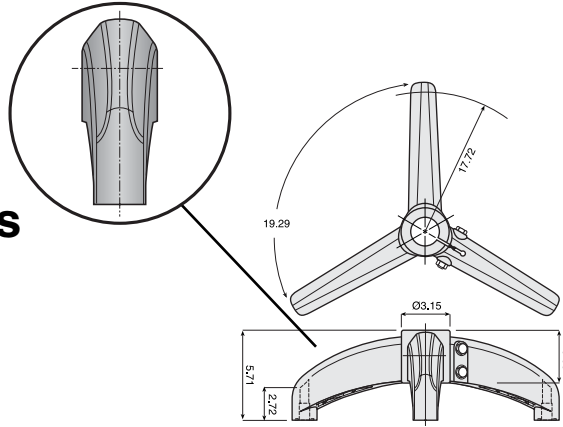


Material: Reinforced polyamide with stainless steel fasteners and threaded brass inserts.

350/150 series

Tripod Base

Leg base for machinery support. Threaded leg inserts for adjustable levelers and stainless steel tightening hardware included.

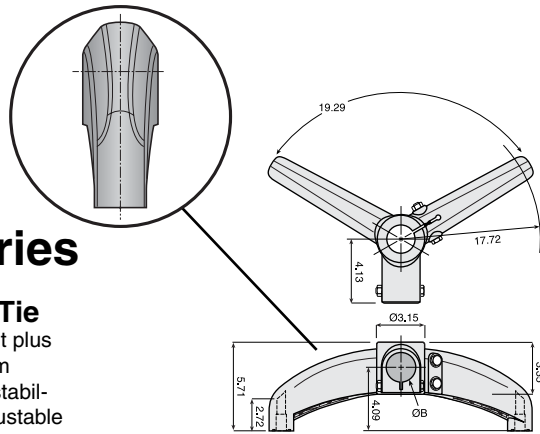


| Part Number | Type | Thread |
|-------------|-------------|--------|
| 35082 | 1-1/4" pipe | 5/8 |
| 35084 | 1-1/2" pipe | 5/8 |
| 35086 | 2" tube | 5/8 |
| 35088 | 2" pipe | 5/8 |
| 15084 | 1-1/2" pipe | M16 |
| 15086 | 2" tube | M16 |
| 15088 | 2" pipe | M16 |

350/150 series

Bipod Base & Cross-Tie

Leg base for machinery support plus 1-1/4 or 1-1/2 pipe cross-tie arm openings for increased lateral stability. Threaded leg inserts for adjustable levelers and stainless steel tightening hardware included.

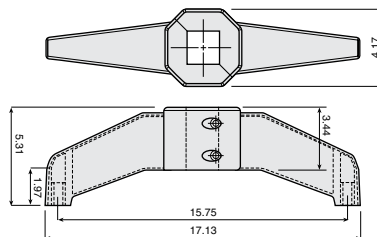


| Part Number | Type | Horiz. Tie (B) | Thread |
|-------------|-------------|----------------|--------|
| 35094 | 2" tube | 1-1/4" pipe | 5/8 |
| 35098 | 1-1/2" pipe | 1-1/2" pipe | 5/8 |
| 35100 | 2" tube | 1-1/2" pipe | 5/8 |
| 35102 | 2" pipe | 1-1/2" pipe | 5/8 |
| 15090 | 1-1/4" pipe | 1-1/4" pipe | M16 |
| 15092 | 1-1/2" pipe | 1-1/4" pipe | M16 |
| 15094 | 2" tube | 1-1/4" pipe | M16 |
| 15096 | 2" pipe | 1-1/4" pipe | M16 |
| 15100 | 2" tube | 1-1/2" pipe | M16 |
| 15102 | 2" pipe | 1-1/2" pipe | M16 |

15500

Split Bipod Base

Leg base for machinery support. Threaded leg inserts for adjustable levelers or direct floor mounting and stainless steel tightening hardware included.



| Part Number | Type | Thread |
|-------------|------------|--------|
| 15500 | 2.0" 50 mm | M16 |

Machine & Equip. Components

Sanitary Legs



452

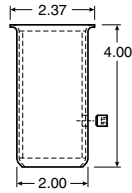
Sanitary Leg Weld Cap

Attaches to VG-450 Sanitary Leg and can be welded to conveyor frame. Set screw holds leg in place.

Material: Stainless steel

Part Number

VG-452



450

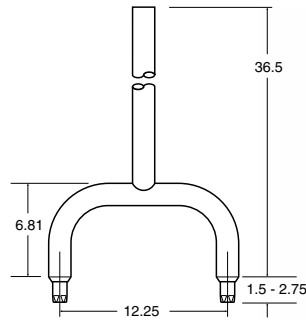
Sanitary Leg

Stainless steel leg base for conveyor support. Has about 1-1/4 inch of leveling adjustment per leg.

Material: Stainless steel

Part Number

VG-450



Recommended Maximum Load

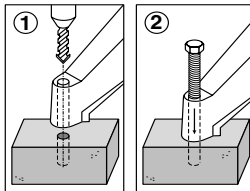
Support member: 2 inch schedule 40 pipe.
Maximum bolt torque: 300 ft. lbs.

VG-402: 1900 lbs.
VG-410: 1700 lbs.

Support member: 2 inch tube (thin wall).
Maximum bolt torque: 150 ft. lbs.

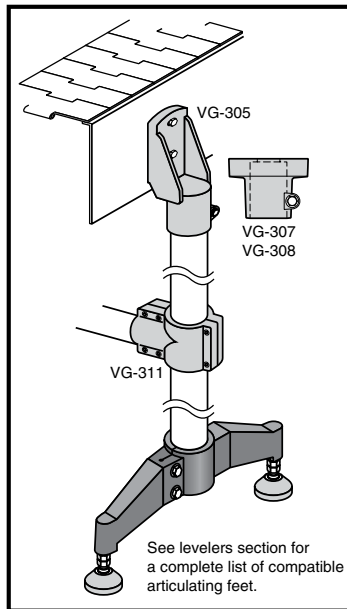
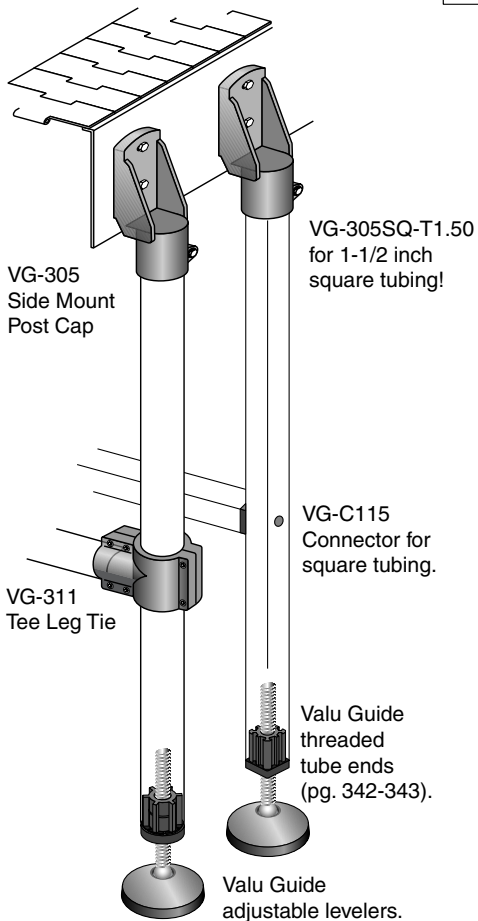
VG-402: 1400 lbs.
VG-410: 1100 lbs.

| Support Member | Substructure Compatibility | | | | | | | | |
|--------------------|----------------------------|--------|--------|--------|--------|--------|--------|--------|--------|
| 1-1/4" pipe | VG-402 | VG-404 | VG-410 | | | | | | |
| 1-1/2" pipe | VG-402 | VG-403 | VG-404 | VG-410 | VG-305 | VG-307 | VG-308 | VG-311 | |
| 2" tube | VG-402 | VG-403 | VG-404 | VG-410 | VG-305 | VG-307 | VG-308 | VG-311 | |
| 2" pipe | VG-402 | VG-403 | VG-404 | VG-410 | | | | | VG-308 |

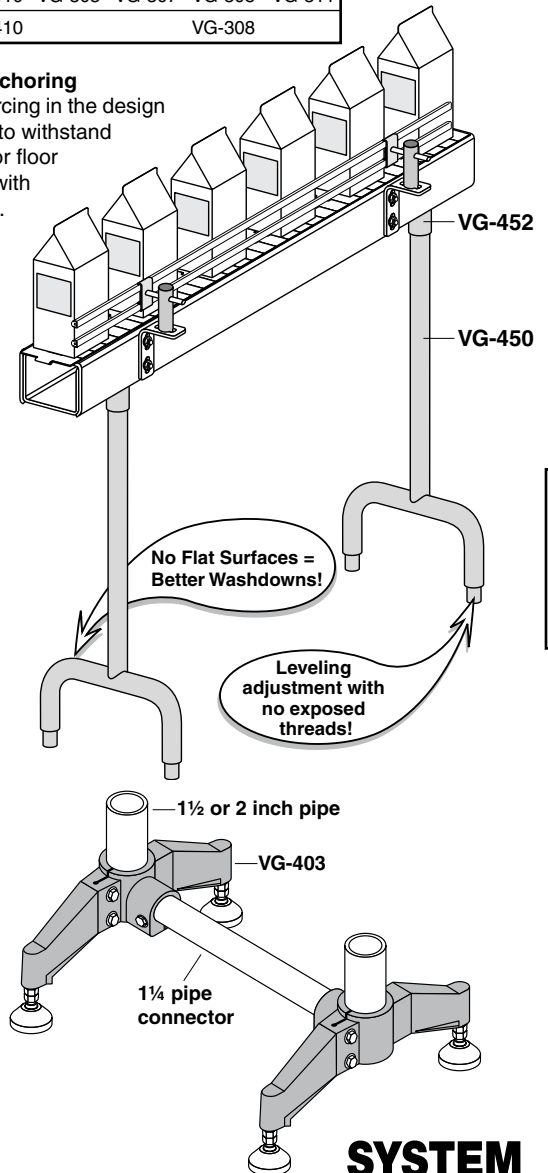


Direct Floor Anchoring

Structural reinforcing in the design allows the base to withstand loads required for floor anchoring. Drill with 1/2 bit as shown.



See levelers section for a complete list of compatible articulating feet.



SYSTEM PLAST™



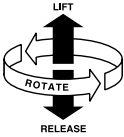
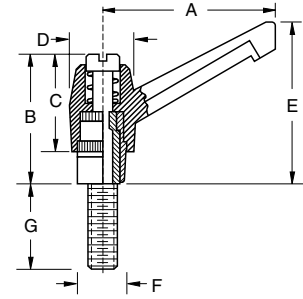
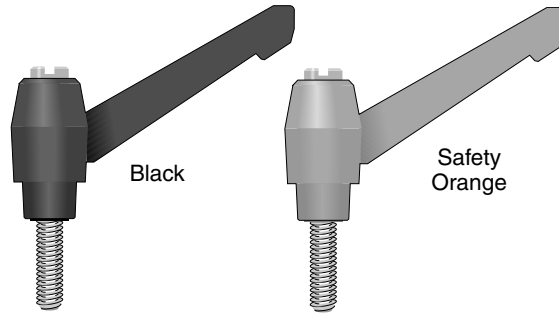
Adjustable Ratchet Handles - Male



RH

Male Ratchet Handles

For use in areas where frequent adjusting is required, where handle movement is restricted, or where adjustability without tools is desired. Reinforced polyamide handles are strong, sanitary, and corrosion resistant. Choose from multiple sizes, colors, and materials.



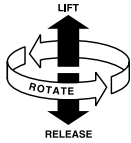
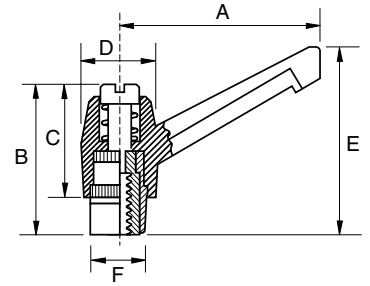
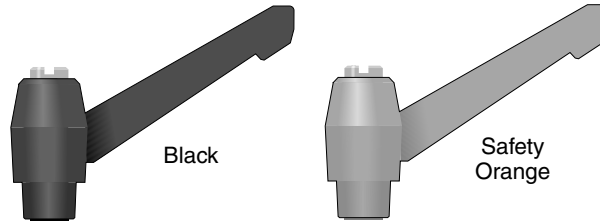
| | Black | Orange | Material | | Thread | G | Inches (Millimeters) | | | | | |
|---------------------|---------------------|---------------------|--------------------------|-----------------|---------|------|----------------------|--------------|--------------|--------------|--------------|--------------|
| | | | Black Oxide Coated Steel | Stainless Steel | | | A | B | C | D | E | F |
| <p>RH-10</p> | RH-10-BK-MP1032-15 | - | • | | 10-32 | 0.59 | 1.63 (41) | 1.21 (31) | 0.91 (23) | 0.63 (16) | 1.51 (38) | 0.42 (11) |
| | RH-10-BK-MS1032-15 | - | | • | 10-32 | 0.59 | | | | | | |
| | RH-10-BK-MP1032-20 | - | • | | 10-32 | 0.79 | | | | | | |
| | RH-10-BK-MS1024-15 | RH-10-OR-MS1024-15 | | • | 10-24 | 0.59 | | | | | | |
| | RH-10-BK-MP1024-20 | - | • | | 10-24 | 0.79 | | | | | | |
| | RH-10-BK-MS1024-20 | RH-10-OR-MS1024-20 | | • | 10-24 | 0.79 | | | | | | |
| | RH-10-BK-MP1420-20 | RH-10-OR-MP1420-20 | • | | 1/4-20 | 0.79 | | | | | | |
| | RH-10-BK-MS1420-20 | RH-10-OR-MS1420-20 | | • | 1/4-20 | 0.79 | | | | | | |
| | RH-10-BK-MP1420-25 | RH-10-OR-MP1420-25 | • | | 1/4-20 | 0.98 | | | | | | |
| | RH-10-BK-MS1420-25 | RH-10-OR-MS1420-25 | | • | 1/4-20 | 0.98 | | | | | | |
| | RH-10-BK-MP1420-30 | RH-10-OR-MP1420-30 | • | | 1/4-20 | 1.18 | | | | | | |
| RH-10-BK-MS1420-30 | RH-10-OR-MS1420-30 | | • | 1/4-20 | 1.18 | | | | | | | |
| <p>RH-20</p> | RH-20-BK-MP51618-15 | RH-20-OR-MP51618-15 | • | | 5/16-18 | 0.59 | 2.16 (55) | 1.39 (35) | 1.02 (26) | 0.80 (20) | 1.94 (49) | 0.53 (13) |
| | RH-20-BK-MS51618-15 | RH-20-OR-MS51618-15 | | • | 5/16-18 | 0.59 | | | | | | |
| | RH-20-BK-MP51618-20 | RH-20-OR-MP51618-20 | • | | 5/16-18 | 0.79 | | | | | | |
| | RH-20-BK-MS51618-20 | RH-20-OR-MS51618-20 | | • | 5/16-18 | 0.79 | | | | | | |
| | RH-20-BK-MP51618-30 | RH-20-OR-MP51618-30 | • | | 5/16-18 | 1.18 | | | | | | |
| | RH-20-BK-MS51618-30 | RH-20-OR-MS51618-30 | | • | 5/16-18 | 1.18 | | | | | | |
| | RH-20-BK-MP51618-40 | RH-20-OR-MP51618-40 | • | | 5/16-18 | 1.57 | | | | | | |
| | RH-20-BK-MS51618-40 | RH-20-OR-MS51618-40 | | • | 5/16-18 | 1.57 | | | | | | |
| | RH-20-BK-MP51618-50 | RH-20-OR-MP51618-50 | • | | 5/16-18 | 1.97 | | | | | | |
| | RH-20-BK-MS51618-50 | RH-20-OR-MS51618-50 | | • | 5/16-18 | 1.97 | | | | | | |
| <p>RH-30</p> | RH-30-BK-MP3816-20 | RH-30-OR-MP3816-20 | • | | 3/8-16 | 0.79 | 3.13 (80) | 1.82 (46) | 1.36 (35) | 1.06 (27) | 2.58 (66) | 0.72 (18) |
| | RH-30-BK-MS3816-20 | RH-30-OR-MS3816-20 | | • | 3/8-16 | 0.79 | | | | | | |
| | RH-30-BK-MP3816-30 | RH-30-OR-MP3816-30 | • | | 3/8-16 | 1.18 | | | | | | |
| | RH-30-BK-MS3816-30 | RH-30-OR-MS3816-30 | | • | 3/8-16 | 1.18 | | | | | | |
| | RH-30-BK-MP3816-40 | RH-30-OR-MP3816-40 | • | | 3/8-16 | 1.57 | | | | | | |
| | RH-30-BK-MS3816-40 | RH-30-OR-MS3816-40 | | • | 3/8-16 | 1.57 | | | | | | |
| | RH-30-BK-MP3816-50 | RH-30-OR-MP3816-50 | • | | 3/8-16 | 1.97 | | | | | | |
| | RH-30-BK-MS3816-50 | RH-30-OR-MS3816-50 | | • | 3/8-16 | 1.97 | | | | | | |
| | RH-30-BK-MP1213-30 | RH-30-OR-MP1213-30 | • | | 1/2-13 | 1.18 | | | | | | |
| | RH-30-BK-MS1213-40 | RH-30-OR-MS1213-40 | | • | 1/2-13 | 1.57 | | | | | | |
| | RH-30-BK-MS1213-40 | RH-30-OR-MS1213-40 | | • | 1/2-13 | 1.57 | | | | | | |
| | RH-30-BK-MS1213-50 | - | | • | 1/2-13 | 1.97 | | | | | | |
| | RH-30-BK-MP1213-60 | RH-30-OR-MP1213-60 | • | | 1/2-13 | 2.36 | | | | | | |
| | RH-30-BK-MS1213-60 | RH-30-OR-MS1213-60 | | • | 1/2-13 | 2.36 | | | | | | |

Machine & Equip. Components

Adjustable Ratchet Handles - Female

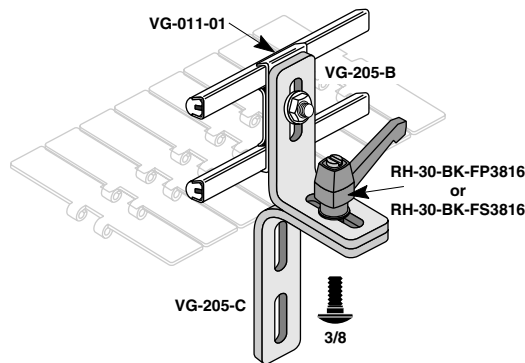


RH Female Ratchet Handles



| | Black | Orange | Material | | Thread | Inches (Millimeters) | | | | | |
|--------------|------------------|------------------|--------------------------|-----------------|---------|----------------------|--------------|--------------|--------------|--------------|--------------|
| | | | Black Oxide Coated Steel | Stainless Steel | | A | B | C | D | E | F |
| RH-10 | RH-10-BK-FP1032 | RH-10-OR-FP1032 | • | | 10-32 | 1.63 (41) | 1.21 (31) | 0.91 (23) | 0.63 (16) | 1.51 (38) | 0.42 (11) |
| | RH-10-BK-FP1024 | RH-10-OR-FP1024 | • | | 10-24 | | | | | | |
| | RH-10-BK-FS1024 | RH-10-OR-FS1024 | | • | 10-24 | | | | | | |
| | RH-10-BK-FP1420 | RH-10-OR-FP1420 | • | | 1/4-20 | | | | | | |
| | RH-10-BK-FS1420 | RH-10-OR-FS1420 | | • | 1/4-20 | | | | | | |
| RH-20 | RH-20-BK-FP1420 | RH-20-OR-FP1420 | • | | 1/4-20 | 2.16 (55) | 1.39 (35) | 1.02 (26) | 0.80 (20) | 1.94 (49) | 0.53 (13) |
| | RH-20-BK-FS1420 | RH-20-OR-FS1420 | | • | 1/4-20 | | | | | | |
| | RH-20-BK-FP51618 | RH-20-OR-FP51618 | • | | 5/16-18 | | | | | | |
| | RH-20-BK-FS51618 | RH-20-OR-FS51618 | | • | 5/16-18 | | | | | | |
| RH-30 | RH-30-BK-FP51618 | RH-30-OR-FP51618 | • | | 5/16-18 | 3.13 (80) | 1.82 (46) | 1.36 (35) | 1.06 (27) | 2.58 (66) | 0.72 (18) |
| | RH-30-BK-FS51618 | RH-30-OR-FS51618 | | • | 5/16-18 | | | | | | |
| | RH-30-BK-FP3816 | RH-30-OR-FP3816 | • | | 3/8-16 | | | | | | |
| | RH-30-BK-FS3816 | RH-30-OR-FS3816 | | • | 3/8-16 | | | | | | |
| | RH-30-BK-FP1213 | RH-30-OR-FP1213 | • | | 1/2-13 | | | | | | |
| | RH-30-BK-FS1213 | RH-30-OR-FS1213 | | • | 1/2-13 | | | | | | |

*Note: Threaded inserts for female handles are made of nickel plated brass to avoid galling (surface wear) or seizing.



Recommended Maximum Torque:

- RH-10** 5 N•m or 45 in/lbs
- RH-20** 11.3 N•m or 100 in/lbs
- RH-30** 28.3 N•m or 250 in/lbs
- RH-40** 56.5 N•m or 500 in/lbs

ORDERING INFORMATION

RH-10-BK-MP1032-15

- Stud length (male only): 15 mm or .59 in., 20 mm or .79 in., 25 mm or .98 in., 30 mm or 1.18 in., 40 mm or 1.57 in., 50 mm or 1.97 in., 60 mm or 2.36 in.
- Bolt size in metric or: 1032=10-32, 1024=10-24, 1420=1/4-20, 51618=5/16-18, 3816= 3/8-16, 1213=1/2-13
- Configuration and material: M=male, F=female, P=black oxide coated steel, S=stainless steel
- Color: BK= black, OR=orange
- Ratchet Handle size: 10=small, 20=medium, 30=large, 40=extra large

Machine & Equip. Components



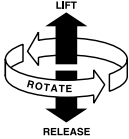
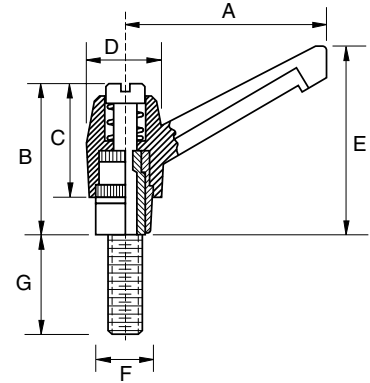
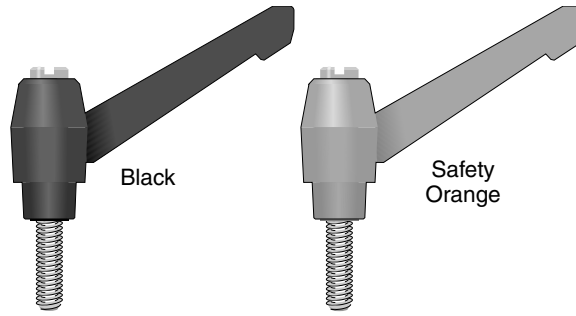
Adjustable Metric Ratchet Handles - Male



RH

Metric Male Ratchet Handles

For use in areas where frequent adjusting is required, where handle movement is restricted, or where adjustability without tools is desired. Reinforced polyamide handles are strong, sanitary, and corrosion resistant. Choose from multiple sizes, colors, and materials.



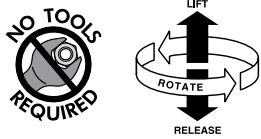
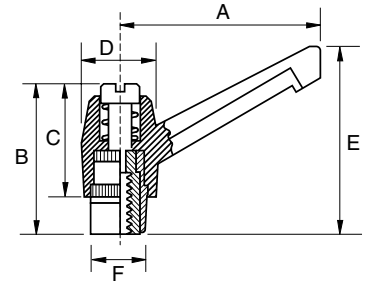
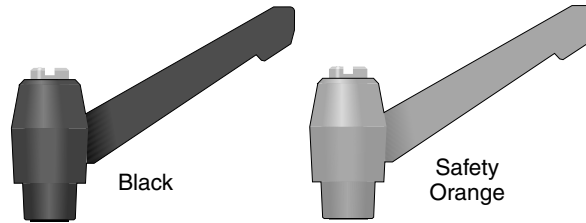
| | Black | Orange | Material | | Thread | Inches (Millimeters) | | | | | | |
|---------------------|-------------------|-------------------|--------------------------|-----------------|------------|----------------------|--------------|--------------|--------------|--------------|--------------|--------------|
| | | | Black Oxide Coated Steel | Stainless Steel | | G | A | B | C | D | E | F |
| <p>RH-10</p> | RH-10-BK-MPM5-15 | - | • | | M5 x .08 | 15 | 1.63 (41) | 1.21 (31) | 0.91 (23) | 0.63 (16) | 1.51 (38) | 0.42 (11) |
| | RH-10-BK-MSM5-15 | - | | • | M5 x .08 | 15 | | | | | | |
| | RH-10-BK-MPM5-20 | RH-10-OR-MPM5-20 | • | | M5 x .08 | 20 | | | | | | |
| | RH-10-BK-MSM5-20 | RH-10-OR-MSM5-20 | | • | M5 x .08 | 20 | | | | | | |
| | RH-10-BK-MPM5-25 | - | • | | M5 x .08 | 25 | | | | | | |
| | RH-10-BK-MSM5-25 | RH-10-OR-MSM5-25 | | • | M5 x .08 | 25 | | | | | | |
| | RH-10-BK-MPM6-15 | RH-10-OR-MPM6-15 | • | | M6 x 1 | 15 | | | | | | |
| | RH-10-BK-MSM6-15 | RH-10-OR-MSM6-15 | | • | M6 x 1 | 15 | | | | | | |
| | RH-10-BK-MPM6-20 | RH-10-OR-MPM6-20 | • | | M6 x 1 | 20 | | | | | | |
| | RH-10-BK-MSM6-20 | RH-10-OR-MSM6-20 | | • | M6 x 1 | 20 | | | | | | |
| | RH-10-BK-MPM6-25 | RH-10-OR-MPM6-25 | • | | M6 x 1 | 25 | | | | | | |
| | RH-10-BK-MSM6-25 | RH-10-OR-MSM6-25 | | • | M6 x 1 | 25 | | | | | | |
| RH-10-BK-MPM6-30 | RH-10-OR-MPM6-30 | • | | M6 x 1 | 30 | | | | | | | |
| RH-10-BK-MSM6-30 | RH-10-OR-MSM6-30 | | • | M6 x 1 | 30 | | | | | | | |
| <p>RH-20</p> | RH-20-BK-MPM8-15 | - | • | | M8 x 1.25 | 15 | 2.16 (55) | 1.39 (35) | 1.02 (26) | 0.80 (20) | 1.94 (49) | 0.53 (13) |
| | RH-20-BK-MSM8-15 | RH-20-OR-MSM8-15 | | • | M8 x 1.25 | 15 | | | | | | |
| | RH-20-BK-MPM8-20 | RH-20-OR-MPM8-20 | • | | M8 x 1.25 | 20 | | | | | | |
| | RH-20-BK-MSM8-20 | RH-20-OR-MSM8-20 | | • | M8 x 1.25 | 20 | | | | | | |
| | RH-20-BK-MPM8-30 | RH-20-OR-MPM8-30 | • | | M8 x 1.25 | 30 | | | | | | |
| | RH-20-BK-MSM8-30 | RH-20-OR-MSM8-30 | | • | M8 x 1.25 | 30 | | | | | | |
| | RH-20-BK-MPM8-40 | RH-20-OR-MPM8-40 | • | | M8 x 1.25 | 40 | | | | | | |
| | RH-20-BK-MSM8-40 | RH-20-OR-MSM8-40 | | • | M8 x 1.25 | 40 | | | | | | |
| | RH-20-BK-MPM8-50 | RH-20-OR-MPM8-50 | • | | M8 x 1.25 | 50 | | | | | | |
| | RH-20-BK-MSM8-50 | RH-20-OR-MSM8-50 | | • | M8 x 1.25 | 50 | | | | | | |
| <p>RH-30</p> | RH-30-BK-MPM10-20 | RH-30-OR-MPM10-20 | • | | M10 x 1.5 | 20 | 3.13 (80) | 1.82 (46) | 1.36 (35) | 1.06 (27) | 2.58 (66) | 0.72 (18) |
| | RH-30-BK-MSM10-20 | RH-30-OR-MSM10-20 | | • | M10 x 1.5 | 20 | | | | | | |
| | RH-30-BK-MPM10-30 | RH-30-OR-MPM10-30 | • | | M10 x 1.5 | 30 | | | | | | |
| | RH-30-BK-MSM10-30 | RH-30-OR-MSM10-30 | | • | M10 x 1.5 | 30 | | | | | | |
| | RH-30-BK-MPM10-40 | RH-30-OR-MPM10-40 | • | | M10 x 1.5 | 40 | | | | | | |
| | RH-30-BK-MSM10-40 | RH-30-OR-MSM10-40 | | • | M10 x 1.5 | 40 | | | | | | |
| | RH-30-BK-MPM10-50 | RH-30-OR-MPM10-50 | • | | M10 x 1.5 | 50 | | | | | | |
| | RH-30-BK-MSM10-50 | RH-30-OR-MSM10-50 | | • | M10 x 1.5 | 50 | | | | | | |
| | RH-30-BK-MPM12-20 | - | • | | M12 x 1.75 | 20 | | | | | | |
| | RH-30-BK-MPM12-30 | - | • | | M12 x 1.75 | 30 | | | | | | |
| | RH-30-BK-MSM12-30 | - | | • | M12 x 1.75 | 30 | | | | | | |
| | RH-30-BK-MPM12-40 | - | • | | M12 x 1.75 | 40 | | | | | | |
| | RH-30-BK-MSM12-40 | - | | • | M12 x 1.75 | 40 | | | | | | |
| | RH-30-BK-MPM12-50 | - | • | | M12 x 1.75 | 50 | | | | | | |
| | RH-30-BK-MSM12-50 | - | | • | M12 x 1.75 | 50 | | | | | | |
| | RH-30-BK-MPM12-60 | - | • | | M12 x 1.75 | 60 | | | | | | |

Machine & Equip. Components



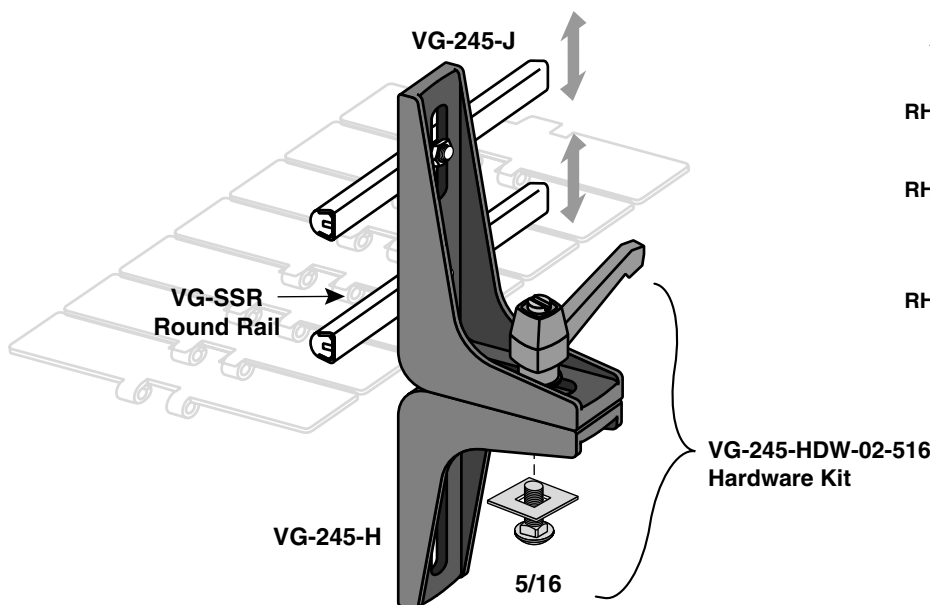
RH

Metric Female Ratchet Handles



| | Black | Orange | Black Oxide Coated Steel* | Stainless Steel* | Thread | Inches (Millimeters) | | | | | |
|--------------|----------------|----------------|---------------------------|------------------|------------|----------------------|--------------|--------------|--------------|--------------|--------------|
| | | | | | | A | B | C | D | E | F |
| RH-10 | RH-10-BK-FSM5 | - | | • | M5 x .08 | | | | | | |
| | RH-10-BK-FPM6 | RH-10-OR-FPM6 | • | | M6 x 1 | 1.63 (41) | 1.21 (31) | 0.91 (23) | 0.63 (16) | 1.51 (38) | 0.42 (11) |
| | RH-10-BK-FSM6 | RH-10-OR-FSM6 | | • | M6 x 1 | | | | | | |
| RH-20 | RH-20-BK-FPM6 | - | • | | M6 x 1 | | | | | | |
| | RH-20-BK-FSM6 | RH-20-OR-FSM6 | | • | M6 x 1 | 2.16 (55) | 1.39 (35) | 1.02 (26) | 0.80 (20) | 1.94 (49) | 0.53 (13) |
| | RH-20-BK-FPM8 | RH-20-OR-FPM8 | • | | M8 x 1.25 | | | | | | |
| | RH-20-BK-FSM8 | RH-20-OR-FSM8 | | • | M8 x 1.25 | | | | | | |
| RH-30 | RH-30-BK-FPM8 | - | • | | M8 x 1.25 | | | | | | |
| | RH-30-BK-FSM8 | - | | • | M8 x 1.25 | | | | | | |
| | RH-30-BK-FPM10 | RH-30-OR-FPM10 | • | | M10 x 1.5 | 3.13 (80) | 1.82 (46) | 1.36 (35) | 1.06 (27) | 2.58 (66) | 0.72 (18) |
| | RH-30-BK-FSM10 | RH-30-OR-FSM10 | | • | M10 x 1.5 | | | | | | |
| | RH-30-BK-FPM12 | - | • | | M12 x 1.75 | | | | | | |
| | RH-30-BK-FSM12 | - | | • | M12 x 1.75 | | | | | | |

*Note: Threaded inserts for female handles are made of nickel plated brass to avoid galling (surface wear) or seizing.



Recommended Maximum Torque:

- RH-10** 5 N•m or 45 in/lbs
- RH-20** 11.3 N•m or 100 in/lbs
- RH-30** 28.3 N•m or 250 in/lbs

Machine & Equip. Components

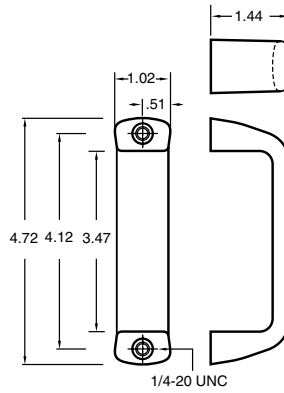
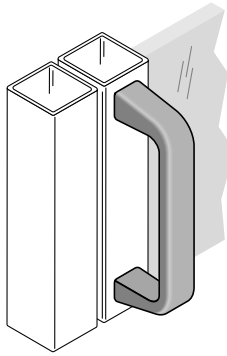


Handles

631

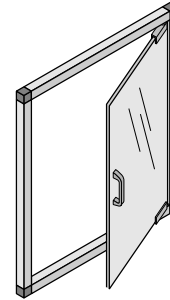
Standard Duty Handle

Sleek, medium duty handle used for doors, cabinets and other applications.



Materials: Reinforced gray or black polyamide with female threaded brass insert.

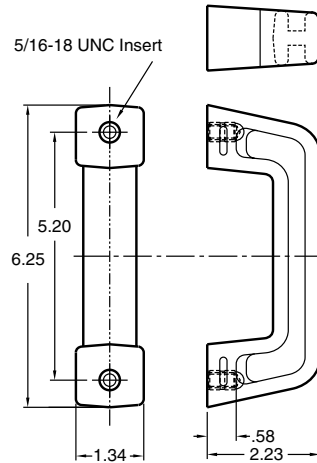
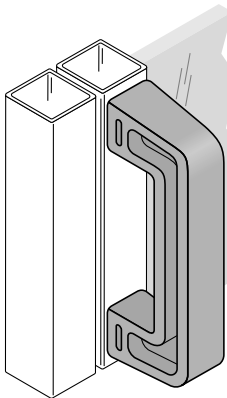
| Part Number | Color | Thread |
|---------------------|--------------|---------------|
| VG-631-14 | Black | 1/4-20 |
| VG-631-14-GR | Gray | 1/4-20 |



632

Heavy Duty Handle

Corrosion resistant design offers exceptional durability for doors, cabinets, clean-out panels, lift up covers and applications requiring a stronger handle.



Materials: Reinforced black polyamide with female threaded brass insert.

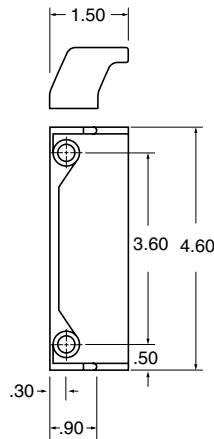
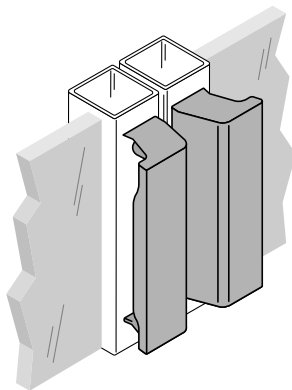
| Part Number | Color | Thread |
|-------------------|--------------|----------------|
| VG-632-516 | Black | 5/16-18 |

Machine & Equip.
Components

630

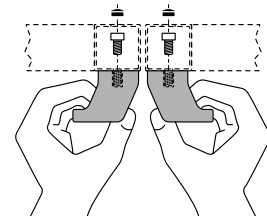
Safety Handle

Closed designed handle allows easy opening without pinched fingers and scraped knuckles when handles are mounted side by side on adjacent doors. Fasteners and tube hole caps included.



Materials: Reinforced black polyamide with 304 stainless steel screws and polyamide caps included.

| Part Number | Color | Thread |
|------------------|--------------|-----------|
| VG-630-BK | Black | M6 |



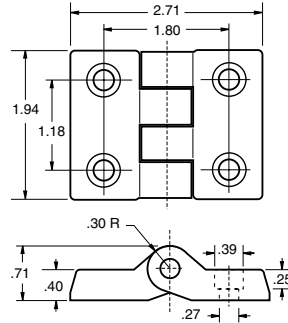
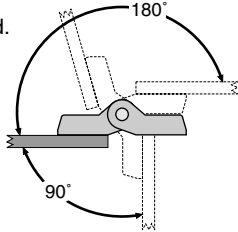


633

Standard Duty Hinge

Attractive, corrosion resistant design offers exceptional durability for doors, cabinets, clean-out panels and lift up covers. Fastening holes are pre-drilled, each ribbed for additional strength.

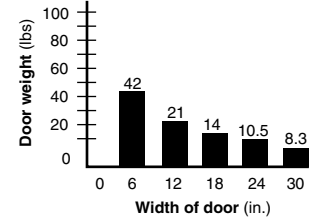
Fasteners not included.



Materials: Reinforced gray or black polyamide with stainless steel pin.

| Part Number | Color |
|------------------|--------------|
| VG-633 | Black |
| VG-633-GR | Gray |

Two Hinge Load Capacity

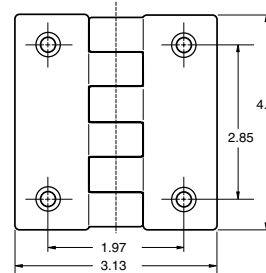


634

Heavy Duty Hinge

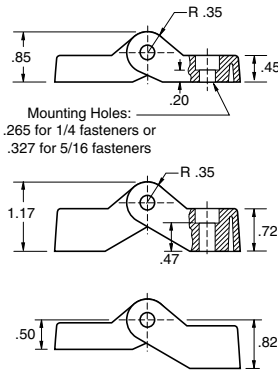
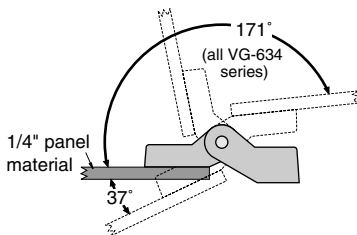
Corrosion resistant design offers exceptional durability with a higher load capacity. Fastening holes are predrilled on both the full surface or offset styles, each ribbed for additional strength.

Fasteners not included.



Materials: Reinforced black polyamide with stainless steel pin.

| Part Number | Color | Fastener(in.) |
|------------------|--------------|---------------|
| VG-634-AA | Black | 1/4 |
| VG-634-AB | Black | 1/4 |
| VG-634-BB | Black | 1/4 |
| VG-634-CC | Black | 5/16 |
| VG-634-CD | Black | 5/16 |
| VG-634-DD | Black | 5/16 |



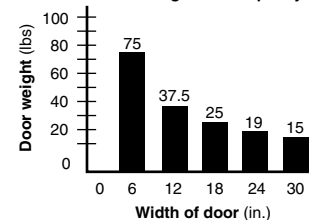
VG-634-AA (1/4 mount)
VG-634-CC (5/16 mount)

VG-634-BB (1/4 mount)
VG-634-DD (5/16 mount)

VG-634-AB (1/4 mount)
VG-634-CD (5/16 mount)

Mounting Holes:
.265 for 1/4 fasteners or
.327 for 5/16 fasteners

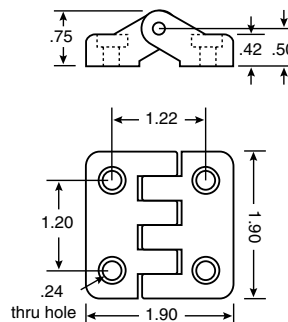
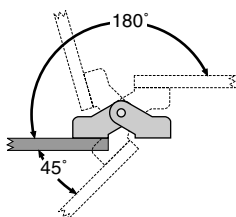
Two Hinge Load Capacity



635

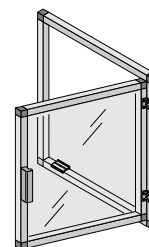
Standard Duty Hinge

Attractive, corrosion resistant design offers exceptional durability for swinging doors and panels. Designed for 1/4 inch gap between door and frame. Fasteners not included.



Materials: Reinforced gray or black polyamide.

| Part Number | Color |
|------------------|--------------|
| VG-635-BK | Black |
| VG-635-GR | Gray |



Machine & Equip. Components



Hinges and Typical Substructure Applications

400 series

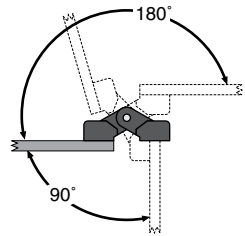
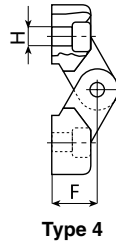
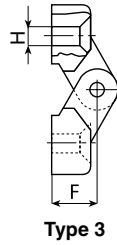
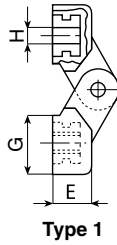
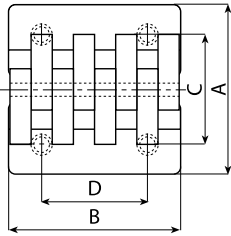
Standard Duty Hinge

Attractive, corrosion resistant design offers exceptional durability for doors, cabinets, clean-out panels and lift up covers. Fasteners not included.

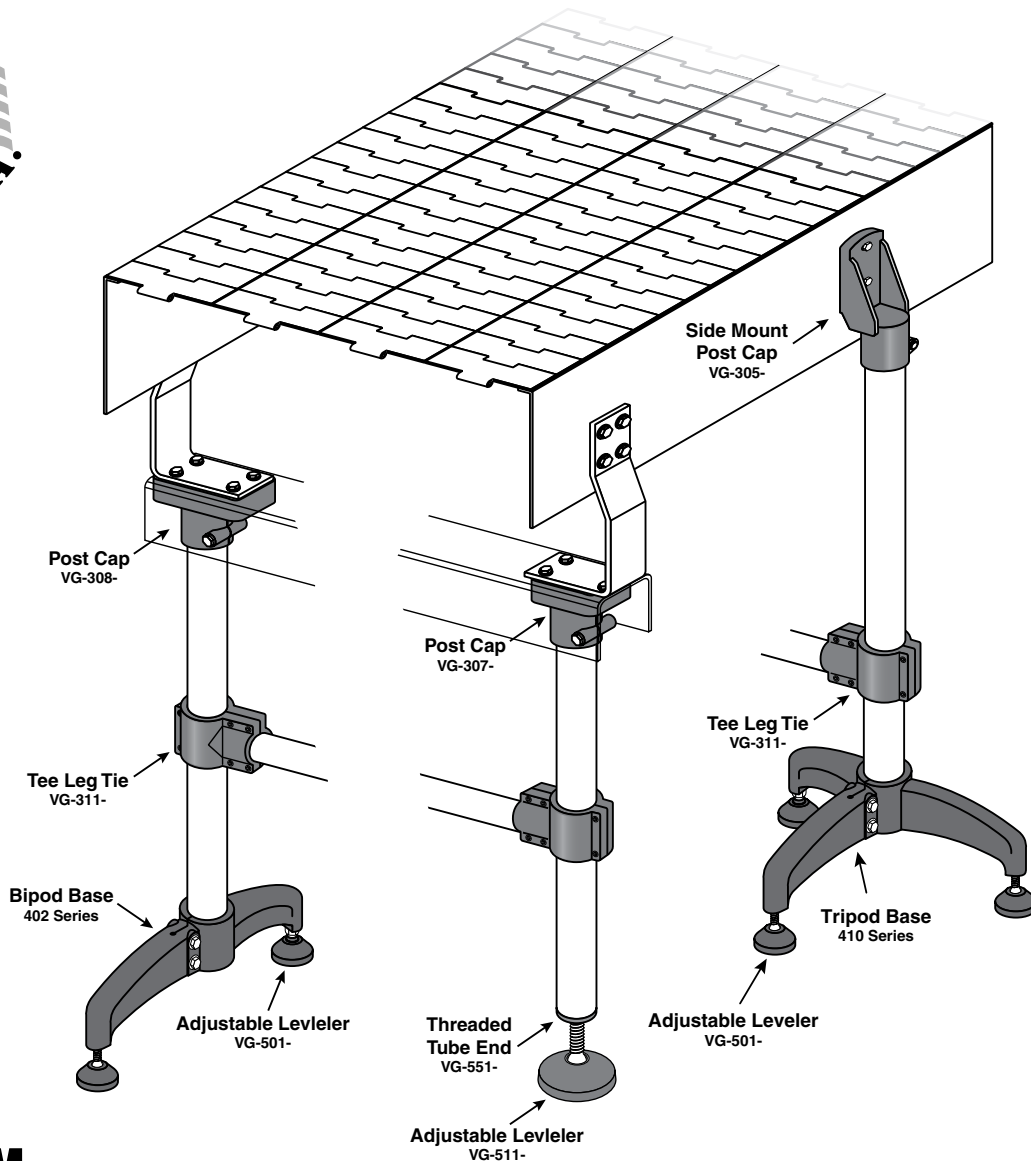


Materials: Reinforced black polyamide with threaded brass insert.

| Part Number | Type | A | B | C | D | E | F | G | H |
|-------------|------|------|------|------|------|------|------|------|------|
| 40018 | 3 | 1.54 | 1.56 | 1.00 | 1.00 | 0.35 | 0.37 | 0.55 | 0.17 |
| 40009 | 1 | 1.93 | 1.93 | 1.22 | 1.18 | 0.43 | 0.51 | 0.67 | M6 |
| 40031 | 4 | 1.93 | 1.93 | 1.22 | 1.18 | 0.43 | 0.51 | 0.67 | 0.21 |



Machine & Equip. Components



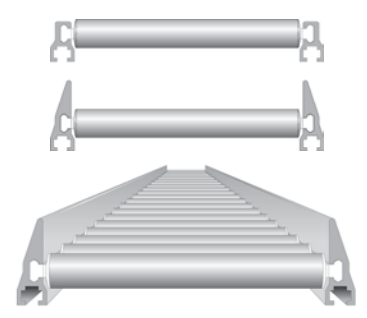
SYSTEM PLAST™

©2015 Regal-Beloit Corporation, All Rights Reserved.



ROLLER PRODUCTS

Section 9



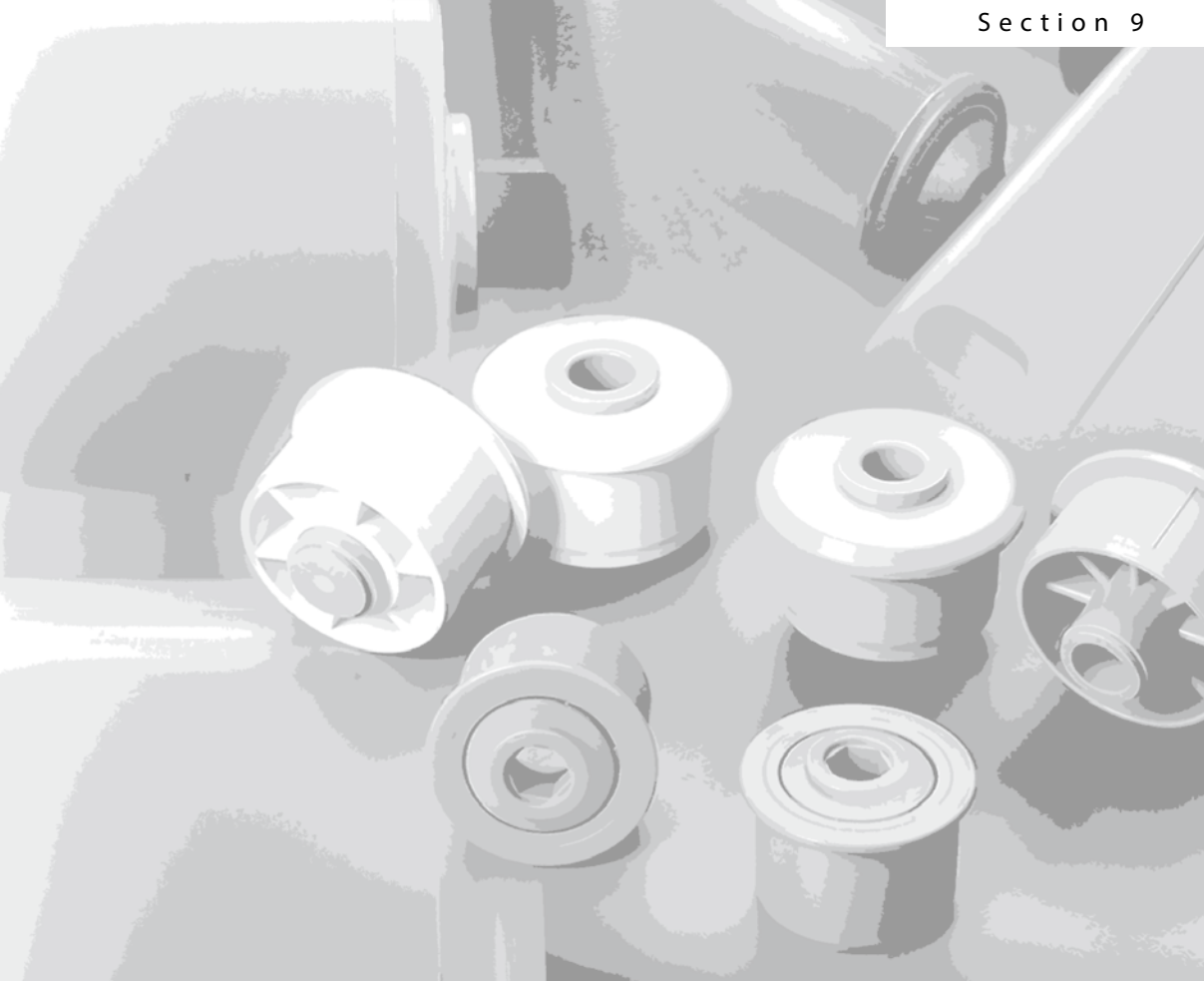
Roll-Tech Page 384



Return Rollers Page 386

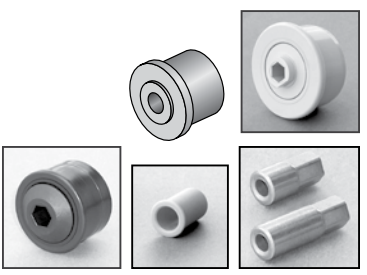


Standard Roller Selection..... Page 392



Custom Roller Selection..... Page 396

- Sleeve & Ball Bearing Rollers
- Belt Driven Rollers
- Sprocket Rollers
- Blind Bore Rollers
- PVC Rollers
- Tapered Rollers
- Thru Bore Rollers
- Sealed End Rollers
- Metal Rollers



Roller Components... Page 406

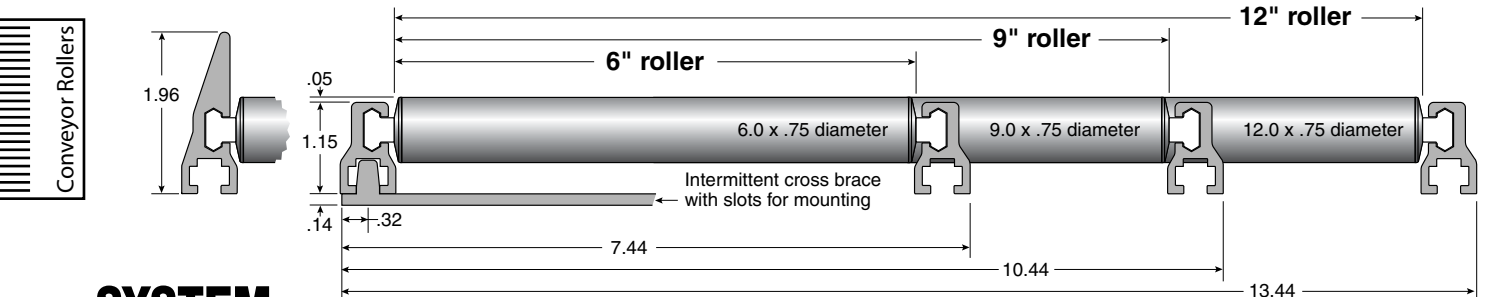
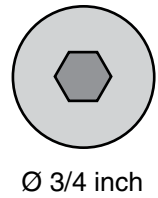
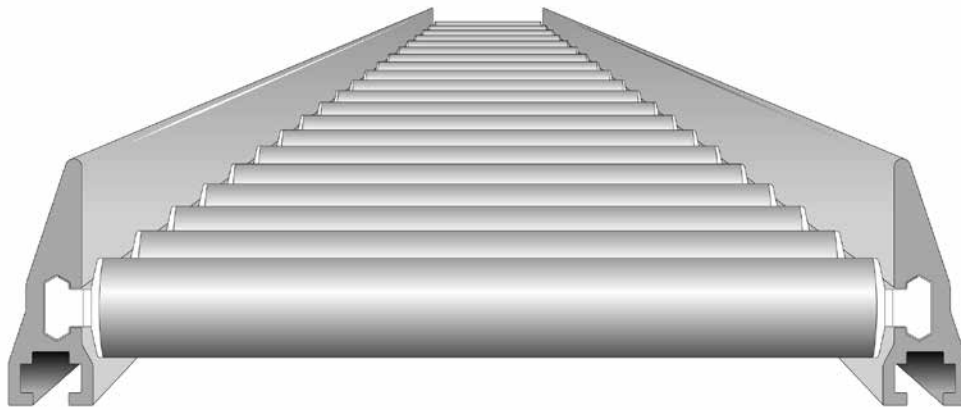
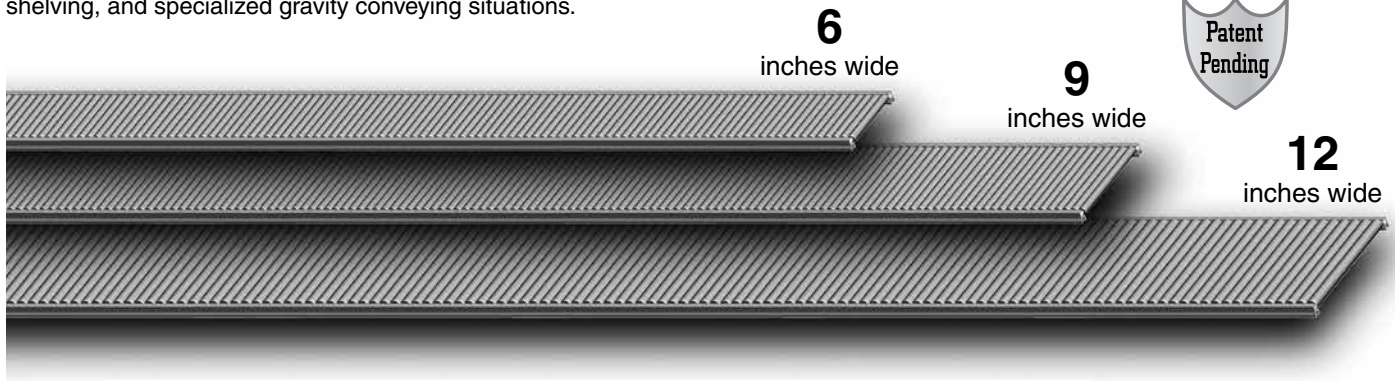
- Roller End Bearings
- Nolu-S End Cap Insert
- Conveyor Roll Pins
- Machined Bearings
- ABS End Cap
- Shaft Adapters
- Ball Bearings

Roll-Tech Mini Roller Conveyors



System Plast mini roller conveyors can be used in areas where traditional 1.9 inch diameter (or larger) rollers are too big or are too widely spaced. The close fit and low profile of these mini roller conveyors can help make work areas more efficient. Common applications include: shipping departments, assembly areas, deep shelving, and specialized gravity conveying situations.

- **Perfect for Smaller Containers and Packages**
- **Fully Assembled, Ready to Mount**
- **With or Without Side Guides**
- **Smooth, Quiet Ball Bearing Roller Ends**



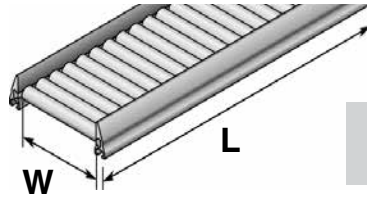
SYSTEM PLAST™

©2015 Regal-Beloit Corporation, All Rights Reserved.

Roll-Tech Mini Roller Conveyors



Flat Roller Bed



Material: Conveyor side channels: aluminum, cross member mounting brackets: stainless steel, rollers: aluminum or stainless steel.

ARB-AL



Mini Roller Conveyor with Aluminum Rollers

Roller body diameter is .75 inches. Available in 5 or 10 ft. lengths, and 6, 9, or 12 inch widths. Ball bearing roller ends.

| Part Number | Roller Width (W) in Inches | Length (L) in Feet |
|----------------------|----------------------------|--------------------|
| VG-ARB-AL34-BB-6-5 | 6 | 5 |
| VG-ARB-AL34-BB-6-10 | 6 | 10 |
| VG-ARB-AL34-BB-9-5 | 9 | 5 |
| VG-ARB-AL34-BB-9-10 | 9 | 10 |
| VG-ARB-AL34-BB-12-5 | 12 | 5 |
| VG-ARB-AL34-BB-12-10 | 12 | 10 |

ASRB-AL



Mini Roller Conveyor with Side Guides and Aluminum Rollers

Roller body diameter is .75 inches. Available in 5 or 10 ft. lengths, and 6, 9, or 12 inch widths. Ball bearing roller ends.

| | | |
|-----------------------|----|----|
| VG-ASRB-AL34-BB-6-5 | 6 | 5 |
| VG-ASRB-AL34-BB-6-10 | 6 | 10 |
| VG-ASRB-AL34-BB-9-5 | 9 | 5 |
| VG-ASRB-AL34-BB-9-10 | 9 | 10 |
| VG-ASRB-AL34-BB-12-5 | 12 | 5 |
| VG-ASRB-AL34-BB-12-10 | 12 | 10 |

ARB-SS



Mini Roller Conveyor with Stainless Steel Rollers

Roller body diameter is .75 inches. Available in 5 or 10 ft. lengths, and 6, 9, or 12 inch widths. Ball bearing roller ends.

| | | |
|----------------------|----|----|
| VG-ARB-SS34-BB-6-5 | 6 | 5 |
| VG-ARB-SS34-BB-9-5 | 9 | 5 |
| VG-ARB-SS34-BB-9-10 | 9 | 10 |
| VG-ARB-SS34-BB-12-5 | 12 | 5 |
| VG-ARB-SS34-BB-12-10 | 12 | 10 |

ASRB-SS



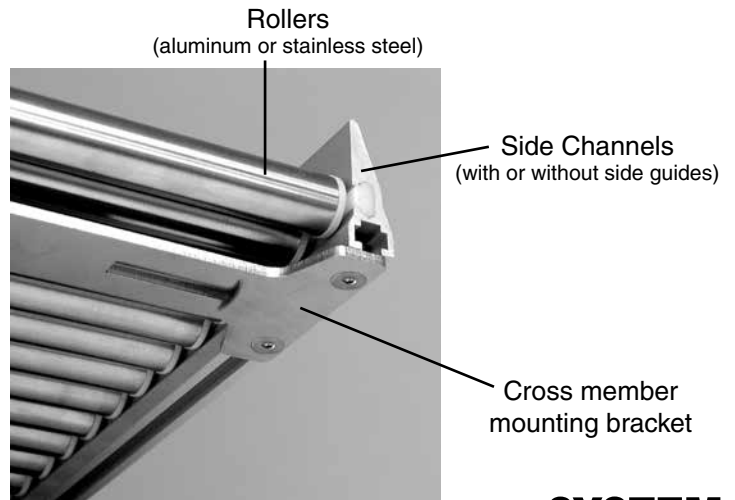
Mini Roller Conveyor with Side Guides and Stainless Steel Rollers

Roller body diameter is .75 inches. Available in 5 or 10 ft. lengths, and 6, 9, or 12 inch widths. Ball bearing roller ends.

| | | |
|-----------------------|----|----|
| VG-ASRB-SS34-BB-6-5 | 6 | 5 |
| VG-ASRB-SS34-BB-6-10 | 6 | 10 |
| VG-ASRB-SS34-BB-9-5 | 9 | 5 |
| VG-ASRB-SS34-BB-9-10 | 9 | 10 |
| VG-ASRB-SS34-BB-12-5 | 12 | 5 |
| VG-ASRB-SS34-BB-12-10 | 12 | 10 |



Mounting is simple with special slots on each cross member.



Conveyor Rollers

SYSTEM PLAST™

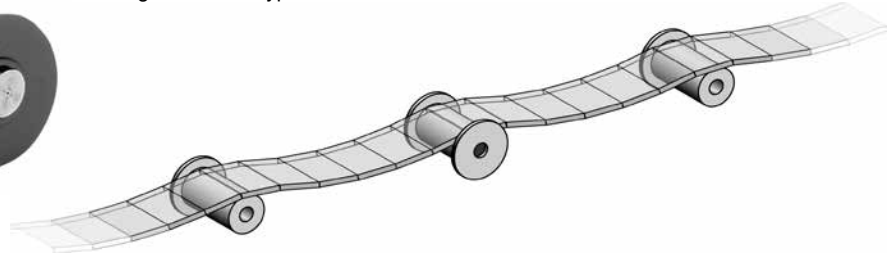
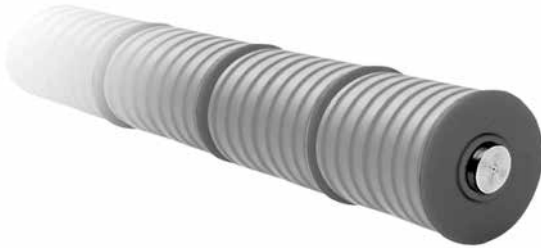


Return Rollers

The Next Generation of conveyor chain return rollers!

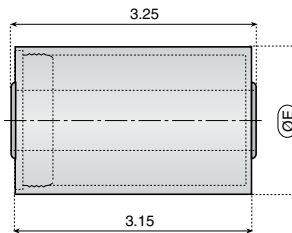
- Sanitary, watertight, sealed
- Excellent wear and chemical resistance
- Low noise, low friction

Our conveyor chain return rollers are made from impact resistant material. They are highly resistant to chemicals and have self lubricating characteristics. A urethane sleeve or ribbed rubber cover option is available for better traction, low noise, and long service life. Other options include a completely solid version, plus side flanges for each type of roller.



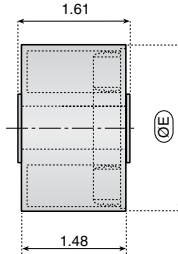
Material: Impact resistant, green HDPE. 3/4" roller is orange HDPE.

R3
Return Roller



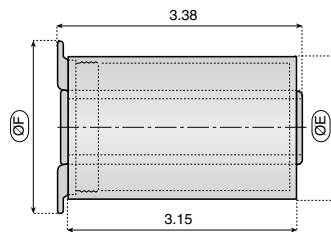
| Part Number | Ref. Code | Color (G=Green) (O=Orange) | Shaft Sized Bore Diameter | E Roller Dia. |
|-------------|-----------|----------------------------------|---------------------------------|---------------------|
| 12831 | R3-18-50 | G | 18mm or 11/16 in. | 1.97 |
| 12835 | R3-18-60 | G | 18mm or 11/16 in. | 2.36 |
| 32892 | R3-75-50 | O | 3/4 in. | 1.97 |
| 32836 | R3-75-60 | O | 3/4 in. | 2.36 |
| 12892 | R3-20-50 | G | 20mm | 1.97 |
| 12836 | R3-20-60 | G | 20mm | 2.36 |

R15
Return Roller



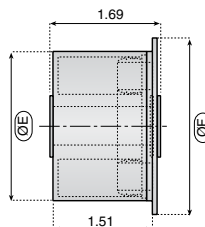
| Part Number | Ref. Code | Color (G=Green) (O=Orange) | Shaft Sized Bore Diameter | E Roller Dia. |
|-------------|-----------|----------------------------------|---------------------------------|---------------------|
| 121965 | R15-18-50 | G | 18mm or 11/16 in. | 1.97 |
| 122111V | R15-18-60 | G | 18mm or 11/16 in. | 2.36 |
| 321966 | R15-75-50 | O | 3/4 in. | 1.97 |
| 32535 | R15-75-60 | O | 3/4 in. | 2.36 |
| 12535V | R15-20-60 | G | 20mm | 2.36 |

RF3
Return Roller with Flange



| Part Number | Ref. Code | Color (G=Green) (O=Orange) | Shaft Sized Bore Diameter | F Flange Dia. | E Roller Dia. |
|-------------|-----------|----------------------------------|---------------------------------|---------------------|---------------------|
| 12833 | RF3-18-50 | G | 18mm or 11/16 in. | 2.56 | 1.97 |
| 12837 | RF3-18-60 | G | 18mm or 11/16 in. | 2.95 | 2.36 |
| 32763 | RF3-75-50 | O | 3/4 in. | 2.56 | 1.97 |
| 32838 | RF3-75-60 | O | 3/4 in. | 2.95 | 2.36 |
| 12763 | RF3-20-50 | G | 20mm | 2.56 | 1.97 |
| 12838 | RF3-20-60 | G | 20mm | 2.95 | 2.36 |

RF15
Return Roller with Flange



| Part Number | Ref. Code | Color (G=Green) (O=Orange) | Shaft Sized Bore Diameter | F Flange Dia. | E Roller Dia. |
|-------------|------------|----------------------------------|---------------------------------|---------------------|---------------------|
| 121969F | RF15-18-50 | G | 18mm or 11/16 in. | 2.56 | 1.97 |
| 122114V | RF15-18-60 | G | 18mm or 11/16 in. | 2.95 | 2.36 |
| 321970F | RF15-75-50 | O | 3/4 in. | 2.56 | 1.97 |
| 32536 | RF15-75-60 | O | 3/4 in. | 2.95 | 2.36 |
| 121970F | RF15-20-50 | G | 20mm | 2.56 | 1.97 |
| 12536V | RF15-20-60 | G | 20mm | 2.95 | 2.36 |

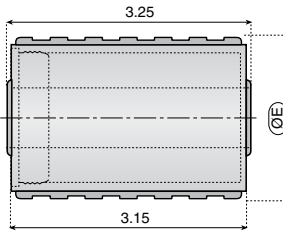
Conveyor Rollers

Return Rollers

Material: Impact resistant, green HDPE with thermoplastic rubber cover. 3/4" roller is orange HDPE.

R3B

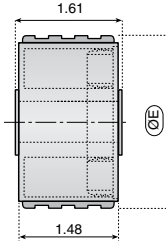
Return Roller with Rubber Surface



| Part Number | Ref. Code | Color (G=Green) (O=Orange) | Shaft Sized Bore Diameter | E Roller Dia. |
|-------------|-----------|----------------------------------|---------------------------------|---------------------|
| 12831RN | R3B-18-50 | G | 18mm or 11/16 in. | 2.24 |
| 12835RN | R3B-18-60 | G | 18mm or 11/16 in. | 2.64 |
| 32892RN | R3B-75-50 | O | 3/4 in. | 2.24 |
| 32836RN | R3B-75-60 | O | 3/4 in. | 2.64 |
| 12892RN | R3B-20-50 | G | 20mm | 2.24 |
| 12836RN | R3B-20-60 | G | 20mm | 2.64 |

R15B

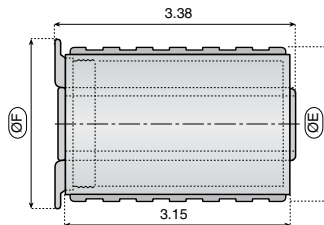
Return Roller with Rubber Surface



| Part Number | Ref. Code | Color (G=Green) (O=Orange) | Shaft Sized Bore Diameter | E Roller Dia. |
|-------------|------------|----------------------------------|---------------------------------|---------------------|
| 122111RN | R15B-18-60 | G | 18mm or 11/16 in. | 2.64 |
| 321966RN | R15B-75-50 | O | 3/4 in. | 2.24 |
| 32535RN | R15B-75-60 | O | 3/4 in. | 2.64 |
| 121966RN | R15B-20-50 | G | 20mm | 2.24 |
| 12535RN | R15B-20-60 | G | 20mm | 2.64 |

RF3B

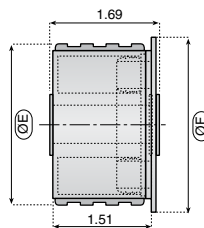
Return Roller with Flange and Rubber Surface



| Part Number | Ref. Code | Color (G=Green) (O=Orange) | Shaft Sized Bore Diameter | F Flange Dia. | E Roller Dia. |
|-------------|------------|----------------------------------|---------------------------------|---------------------|---------------------|
| 32763RNF | RF3B-75-50 | O | 3/4 in. | 2.56 | 2.24 |
| 32838RNF | RF3B-75-60 | O | 3/4 in. | 2.95 | 2.64 |

RF15B

Return Roller with Flange and Rubber Surface

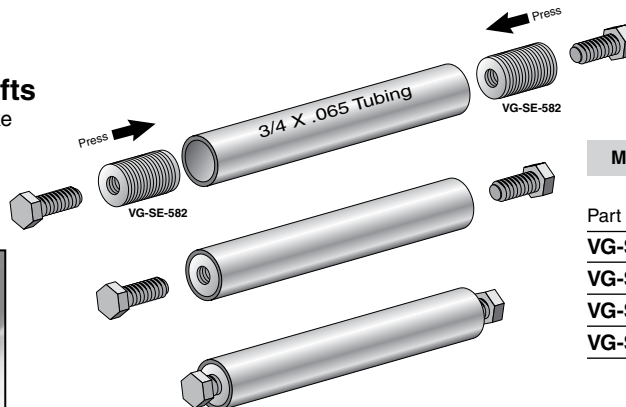


| Part Number | Ref. Code | Color (G=Green) (O=Orange) | Shaft Sized Bore Diameter | F Flange Dia. | E Roller Dia. |
|-------------|-------------|----------------------------------|---------------------------------|---------------------|---------------------|
| 121969RNF | RF15B-18-50 | G | 18mm or 11/16 in. | 2.56 | 2.24 |
| 122114RN | RF15B-18-60 | G | 18mm or 11/16 in. | 2.95 | 2.64 |
| 321970RNF | RF15B-75-50 | O | 3/4 in. | 2.56 | 2.24 |
| 32536RN | RF15B-75-60 | O | 3/4 in. | 2.95 | 2.64 |
| 121970RNF | RF15B-20-50 | G | 20mm | 2.56 | 2.24 |
| 12536RN | RF15B-20-60 | G | 20mm | 2.95 | 2.64 |

SE-582

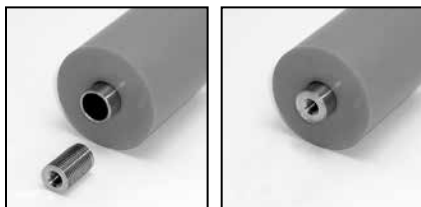
Threaded End for 3/4 dia. Shafts

Use this insert and 3/4 x .065 tubing to make threaded shafts in minutes, with just a saw. Bypass machine shop delays and use less material. Cut tubing to length, deburr, and press in VG-SE-582 shaft ends.



Materials: Stainless Steel.

| Part Number | End Insert Thread | Pull Out Load (lbs.) |
|---------------|----------------------|-------------------------|
| VG-SE-582-516 | 5/16-18 | 900 |
| VG-SE-582-38 | 3/8-16 | 900 |
| VG-SE-582-M8 | M8 | 900 |
| VG-SE-582-M10 | M10 | 900 |



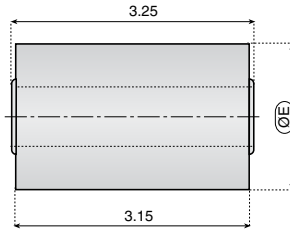
Conveyor Rollers



Return Rollers

RP3

Solid Return Roller

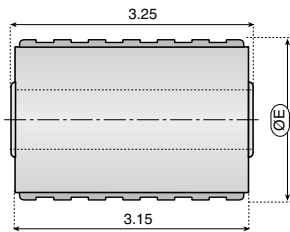


Material: Black Polypropylene.

| Part Number | Ref. Code | Color (G=Green) (O=Orange) | Shaft Sized Bore Diameter | E Roller Dia. |
|-------------|-----------|----------------------------------|---------------------------------|---------------------|
| 121985 | RP3-18-50 | G | 18mm or 11/16 in. | 1.97 |
| 121987 | RP3-18-60 | G | 18mm or 11/16 in. | 2.36 |
| 321991 | RP3-75-50 | O | 3/4 in. | 1.97 |
| 321993 | RP3-75-60 | O | 3/4 in. | 2.36 |
| 121991 | RP3-20-50 | G | 20mm | 1.97 |

RP3B

Solid Return Roller with Rubber Surface



Material: Black Polypropylene with thermoplastic rubber cover.

| Part Number | Ref. Code | Color (G=Green) (O=Orange) | Shaft Sized Bore Diameter | E Roller Dia. |
|-------------|------------|----------------------------------|---------------------------------|---------------------|
| 121987RN | RP3B-18-60 | G | 18mm or 11/16 in. | 2.64 |
| 321993RN | RP3B-75-60 | O | 3/4 in. | 2.64 |

RF

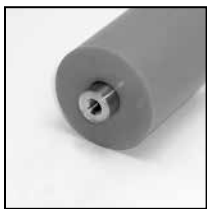
Roller Flange



Material: Impact resistant, green HDPE.

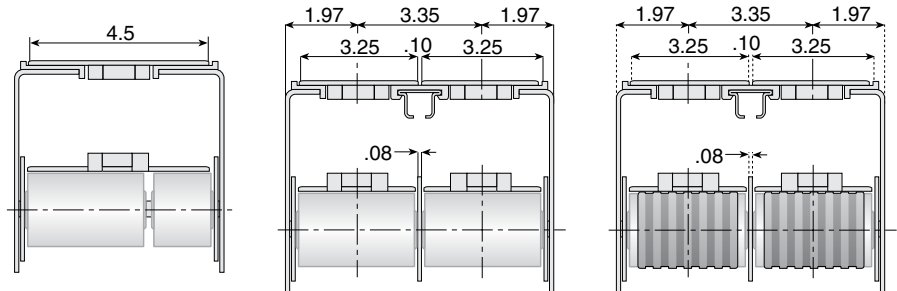
Flange for 3/4 inch shaft is orange HDPE.

| Part Number | Ref. Code | Shaft Sized Bore Diameter | Flange Diameter |
|-------------|-----------|---------------------------------|--------------------|
| 12841 | RF-18-70 | 18mm or 11/16 in. | 2.75 |
| 32534 | RF-75-70 | 3/4 in. | 2.75 |
| 12534 | RF-20-70 | 20mm | 2.75 |



Bypass machine shop delays!

Make 3/4 in. diameter threaded shafts in minutes using VG-SE-582 shaft ends. See page 387 for details



Conveyor Rollers



Our rollers have many varying configurations and material types. Combine this with our custom roller capability, and it becomes necessary to provide some information to help you select the perfect roller for your needs. Conveyor rollers are usually used on either gravity (no power) systems, or on powered systems that use a belt, chain or sprocket to drive the roller.

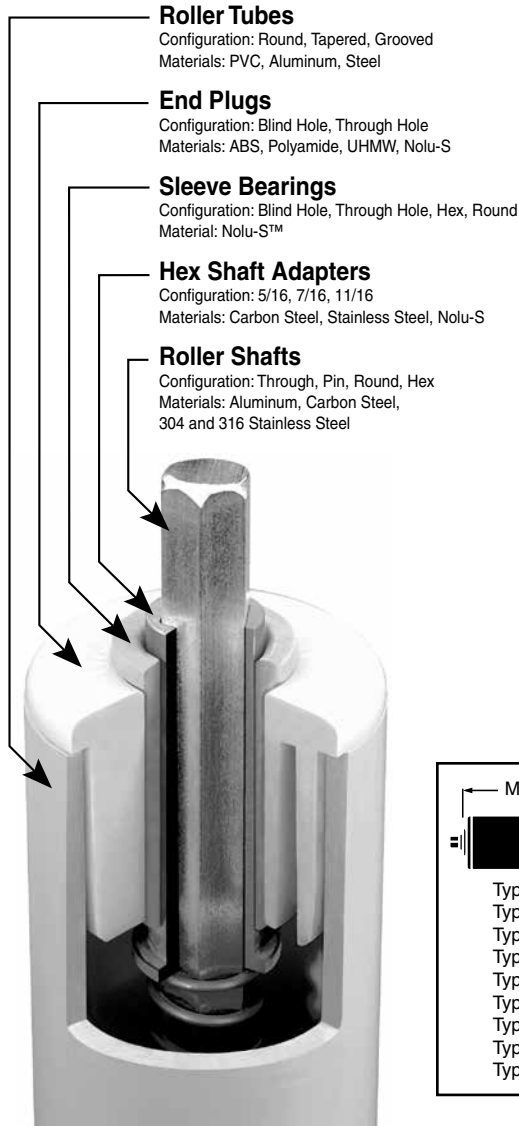
Driven Systems

In the majority of driven applications, we recommend the use of rollers equipped with our self-lubricating sleeve bearings to obtain the longest service. This is because our sleeve bearings need no maintenance and eliminate all of the problems associated with traditional ball bearings.

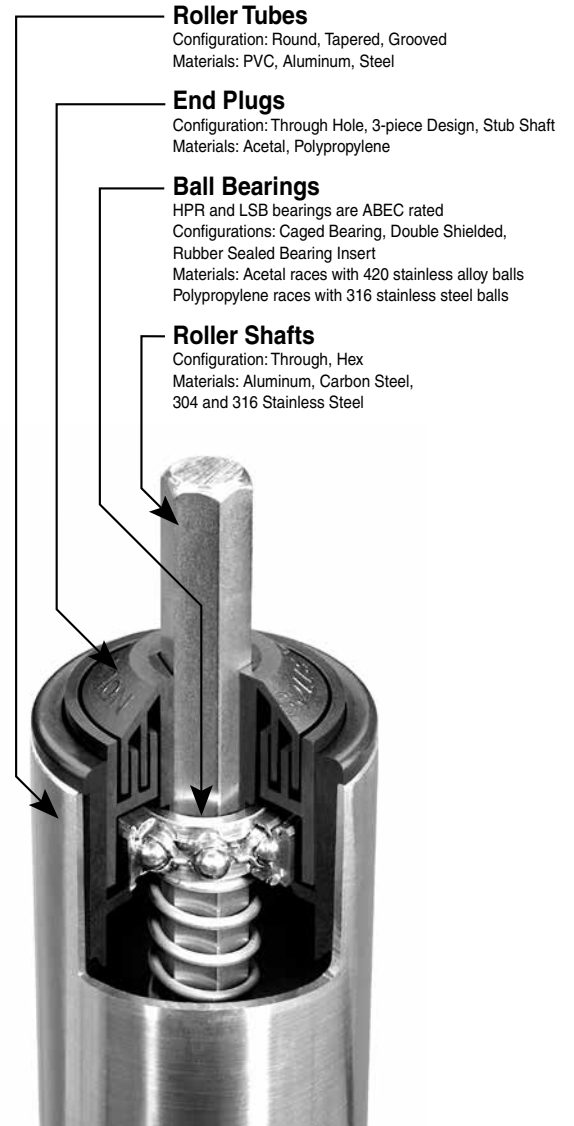
Gravity Systems

For gravity systems as well as certain driven applications, we offer different ball bearing options for a variety of applications. From light duty ball bearings for PVC tubing, to heavy-duty ball bearings for steel tubing, System Plast has the ball bearing roller to suit your application.

Sleeve Bearings



Ball Bearings



Nolu-S™ Premium low friction bearing material!

Nolu-S is a proprietary alloy of food grade lubricants combined with UHMW. This creates a material which retains most of the properties of UHMW while significantly reducing friction. Nolu-S advantages include protection of expensive mating surfaces, lower noise levels and FDA and USDA approved ingredients.

Conveyor Rollers

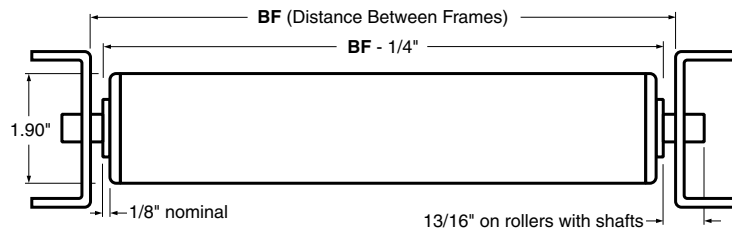


"Off The Shelf"

- Steel or PVC Rollers
- Popular Replacement Sizes
- Readily Available Inventory
- Easy Ordering and Re-ordering

These rollers represent our standard product offering. The rollers within each category are the same except for the roller width, which is determined by the distance between the conveyor frames.

See page 413 - 414 for Technical information.



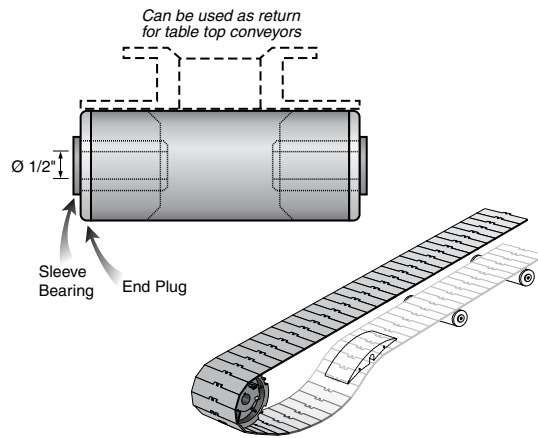
Dimensions for all standard rollers unless otherwise noted

Ideal for dry conditions and lighter loads!

APS

PVC Roller with Sleeve Bearings

Roller body diameter is 1.9 inches. Sleeve bearing material is long lasting Nyla-Ride. Available in 8 standard lengths. To modify this roller, see Type A on page 396.



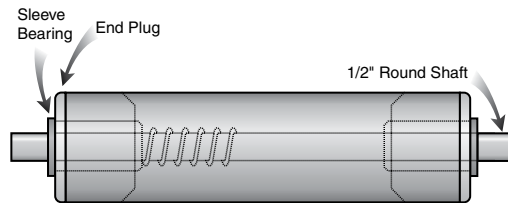
Material: PVC roller body with ABS end plugs and Nyla-Ride sleeve bearings.

| Part Number | Chain/Roller width | BF |
|-------------|--------------------|-------|
| APS-3.5 | 3.25 | 3.50 |
| APS-4.8 | 4.5 | 4.75 |
| APS-7.8 | 7.5 | 7.75 |
| APS-10.3 | 10 | 10.25 |
| APS-13 | - | 13 |
| APS-16 | - | 16 |
| APS-18 | - | 18 |
| APS-22 | - | 22 |

APS12

PVC Roller with Sleeve Bearings and Round Thru Shaft

Roller body diameter is 1.9 inches. Internal spring keeps roller centered on the 1/2 in. round shaft. Sleeve bearing material is long lasting Nyla-Ride. Available in 6 standard lengths. To modify this roller, see Type A on page 396.



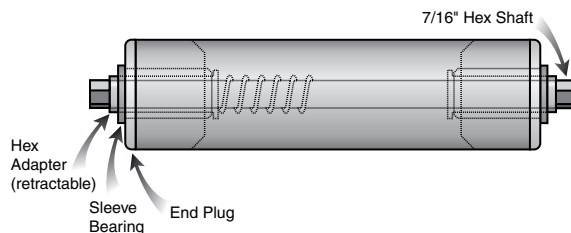
Material: PVC roller body with ABS end plugs and Nyla-Ride sleeve bearings. Carbon steel round shaft.

| Part Number | Chain/Roller width | BF |
|-------------|--------------------|-------|
| APS12-10.3 | 10 | 10.25 |
| APS12-13 | - | 13 |
| APS12-18 | - | 18 |
| APS12-22 | - | 22 |

APS7

PVC Roller with Sleeve Bearings and Hex Thru Shaft

Roller body diameter is 1.9 inches. Internal spring keeps roller centered on the 7/16 hex shaft. Sleeve bearing material is long lasting Nyla-Ride. Available in 6 standard lengths. To modify this roller, see Type A on page 396.



Material: PVC roller body with ABS end plugs and Nyla-Ride sleeve bearings. Carbon steel hex shaft.

| Part Number | Chain/Roller width | BF |
|-------------|--------------------|------|
| APS7-7.8 | 7.5 | 7.75 |
| APS7-13 | - | 13 |
| APS7-16 | - | 16 |
| APS7-22 | - | 22 |

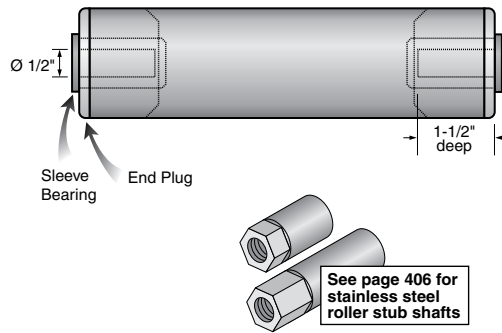
Conveyor Rollers



BPS12

PVC Roller with Sleeve Bearings

Roller body diameter is 1.9 inches. Available in 8 standard lengths. Blind hole sleeve bearing material is long lasting Nyla-Ride and will accommodate $\text{\O}1/2"$ stub shafts. **Roller stub shafts not included.** To modify this roller, see Type B on page 396.



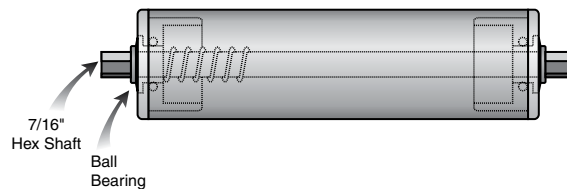
Material: PVC roller body with ABS end plugs and Nyla-Ride sleeve bearings.

| Part Number | Chain/Roller width | BF |
|------------------|--------------------|-------------|
| BPS12-4.8 | 4.5 | 4.75 |
| BPS12-7.8 | 7.5 | 7.75 |
| BPS12-13 | - | 13 |
| BPS12-18 | - | 18 |
| BPS12-22 | - | 22 |

DPL7

PVC Roller with Ball Bearings and Hex Thru Shaft

Roller body diameter is 1.9 inches. Internal spring keeps roller centered on the 7/16 hex shaft. Ball bearing material is acetal plastic with 420 stainless steel balls. Available in 6 standard lengths. To modify this roller, see Type D on page 397.



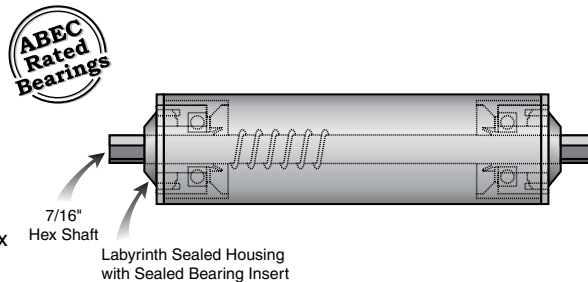
Material: PVC roller body. Ball bearings are acetal plastic with 420 stainless steel balls. Carbon steel hex shaft.

| Part Number | BF |
|------------------|--------------|
| DPL7-10.3 | 10.25 |
| DPL7-13 | 13 |
| DPL7-16 | 16 |
| DPL7-18 | 18 |
| DPL7-22 | 22 |

ICD7

Steel Roller for Driven Systems with Ball Bearings and Hex Thru Shaft

Roller body diameter is 1.9 inches. Internal spring keeps roller centered on the 7/16 hex shaft. Ball bearing is labyrinth sealed plastic with a sealed bearing insert. Available in 7 standard lengths. To modify this roller, see Type I on page 400.



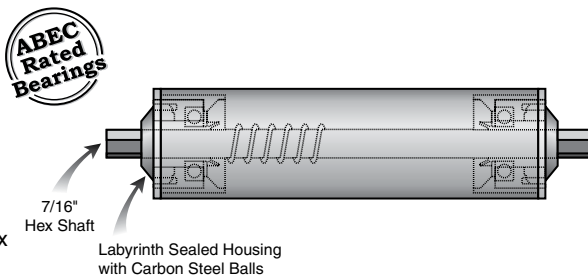
Material: Carbon steel roller body. Ball bearings are labyrinth sealed plastic with a sealed bearing insert. Carbon steel hex shaft.

| Part Number | BF |
|------------------|-------------|
| ICD7-10.3 | 10.3 |
| ICD7-13 | 13 |
| ICD7-16 | 16 |

ICG7

Steel Roller for Gravity Systems with Ball Bearings and Hex Thru Shaft

Roller body diameter is 1.9 inches. Internal spring keeps roller centered on the 7/16 hex shaft. Ball bearing is labyrinth sealed plastic with carbon steel balls. Available in 7 standard lengths. To modify this roller, see Type I on page 400.



Material: Carbon steel roller body. Ball bearings are labyrinth sealed plastic with carbon steel balls. Carbon steel hex shaft.

| Part Number | BF |
|------------------|-------------|
| ICG7-10.3 | 10.3 |
| ICG7-13 | 13 |
| ICG7-18 | 18 |

Conveyor Rollers

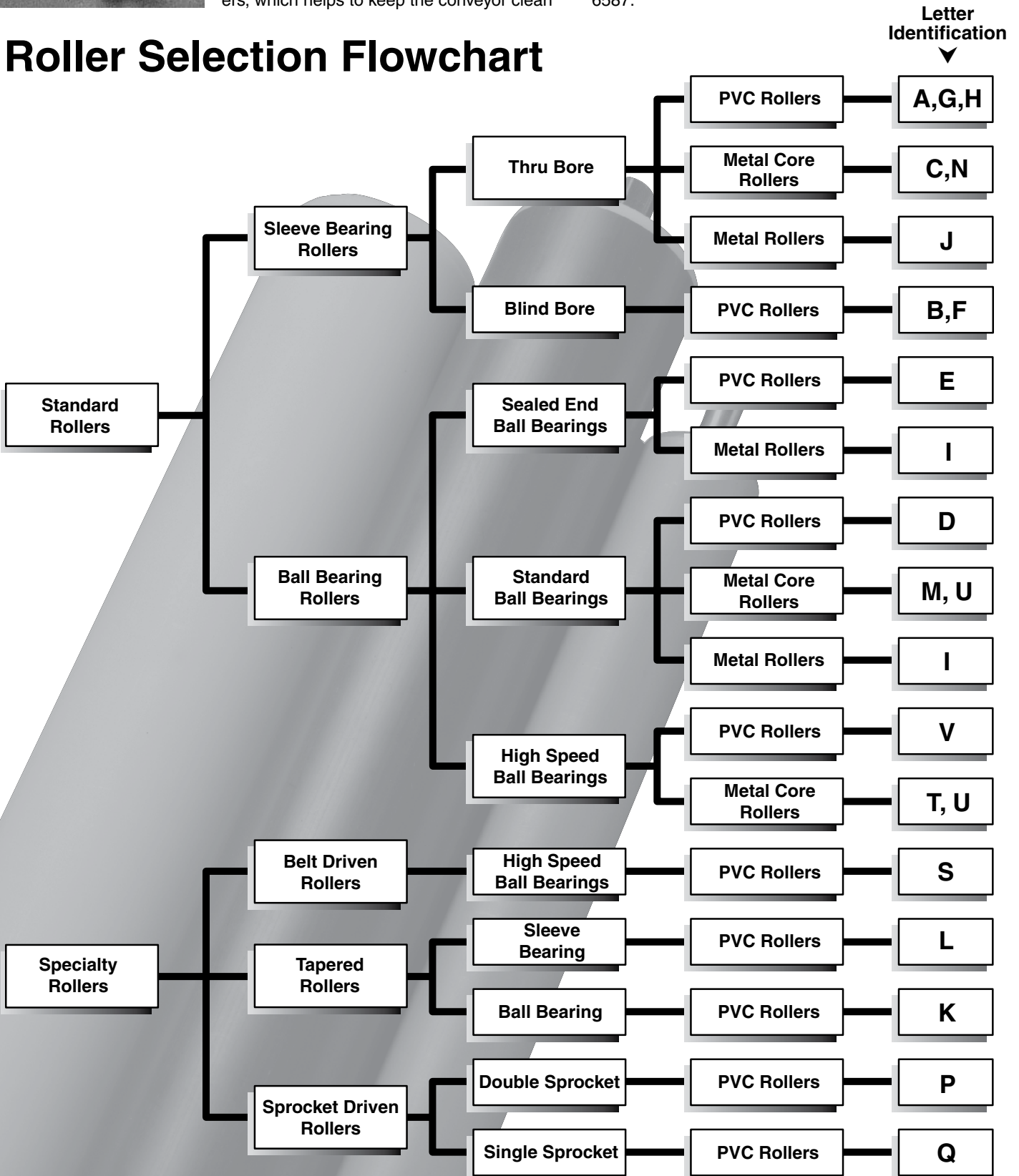
Roller Selection



System Plast offers a line of conveyor rollers and components which are engineered to provide totally maintenance free service. These rollers are quiet, need no lubrication, are extremely corrosion resistant, and can be used in wet applications. Contamination does not readily adhere to the surface of our rollers, which helps to keep the conveyor clean

and trouble-free. Our plastic rollers work well with conveyor belts, and can actually increase conveyor belt life through reduced belt abrasion. These rollers are available in a vast selection of sizes, materials and configurations as shown on the following pages. Please call 866-765-8744 to review your design requirements or fax your specifications to 866-447-6587.

Roller Selection Flowchart



Roller Components

| Standard and custom roller options are shown in the chart below. | | | Roller Type | | | | | | | | | | | | | | | | | | | | | |
|--|------------------------|--------------------------|-------------|---|---|---|---|---|---|---|---|---|---|---|---|---|---|---|---|---|---|---|---|--|
| | | | A | B | C | D | E | F | G | H | I | J | K | L | M | N | P | Q | S | T | U | V | | |
| Shaft | Shape | 7/16 hex | ● | | ● | | | | ● | ● | ● | ● | ● | ● | ● | ● | ● | ● | ● | ● | ● | | | |
| | | 5/16 hex | | | ● | ● | | | | | | | | | | | | | | | | ● | ● | |
| | | 1/2 round | ● | ● | ● | ● | | ● | ● | ● | | ● | | ● | | ● | ● | ● | | | | | | |
| | | 5/8 round | | ● | | | | | | | | | | | | | | | | | | | | |
| | | 1/4 round | | | | | | | | | | | | | | | | | | | | | | |
| | | Other round | | | | ● | * | ● | | | | | | | | | | | | | | | | |
| | Material | Carbon steel | ● | | ● | | | | ● | ● | ● | ● | ● | ● | ● | ● | ● | ● | ● | ● | ● | ● | ● | |
| | | 304 stainless | ● | | ● | ● | ● | ● | ● | ● | ● | ● | ● | ● | ● | ● | ● | ● | ● | ● | ● | ● | ● | |
| | | 316 stainless | ● | | ● | ● | | | ● | ● | ● | ● | ● | ● | ● | ● | ● | ● | ● | ● | ● | ● | ● | |
| | Through (included) | ● | | ● | ● | | | ● | ● | ● | ● | ● | ● | ● | ● | ● | ● | ● | ● | ● | ● | ● | | |
| | Stub (sold separately) | | ● | | ● | | ● | | | | | | | | | | | | | | ● | ● | | |
| Hex adapter available | ● | | ● | | | | ● | ● | | ● | | ● | | ● | ● | ● | ● | | | | | | | |
| Roller | Diameter | .81 | | | | | | | ● | ◆ | | | | | | | | | | | | | | |
| | | 1.06 | | | | ● | | | ● | | | | | | | | | | | | | | | |
| | | 1.19 | | | | ● | | | ● | | | | | | | | | | | | | | | |
| | | 1.31 | | | | ● | | | ● | | | | | | | | | | | | | | | |
| | | 1.66 | | | | ● | | | ● | | | | | | | | | | | | | | | |
| | | 1.90 | ● | ● | ● | | ● | ● | ● | ● | | | | ● | ● | ● | ● | ● | ◆ | | | | | |
| | | 2.25 | ● | ● | | ● | | | ● | | | | | | | | ● | ● | | ◆ | | ● | | |
| | | 2.38 | ● | ● | ● | | ● | ● | ● | ● | | | | | | ● | ● | ● | | | | | | |
| | | 2.50 | ● | ● | | | | | ● | | | | | | | | ● | ● | | | | | | |
| | | 2.88 | ● | ● | | | | | ● | | | | | | | | ● | ● | | | | | | |
| | Material | PVC | ● | ● | | | ● | ● | ● | ● | | | ● | ● | ● | ● | ● | ● | ● | ● | | | | |
| | | Aluminum | | | ● | ● | | | | | ● | | | | | | | | | ● | | ● | | |
| | | UHMW | | | ● | | | | | | | | | | | | | | | ● | | | | |
| | | Stainless steel | | | | | | | | ● | ● | | | | | | | | | | | | | |
| | | Carbon steel | | | | | | | | ● | ● | | | ● | ● | | | | | | | | | |
| | | Urethane | | | | | | | | | | | | | | | | | | | | ● | | |
| Tapered | | | | | | | | | | | ● | ● | | | | | | | | ● | ● | | | |
| With sprocket | | | | | | | | | | | | | | | | ● | ● | | | ● | ● | | | |
| Grooved | | | | | | | | | | | | | | | | | | ● | | | | | | |
| Bearing | Type | Sleeve | | | ● | | ● | ● | ● | | ● | | ● | | | | | | | | | | | |
| | | Plug with sleeve | ● | ● | | | | | ● | | | | | | | ● | ● | ● | | | | | | |
| | | Ball | | | | ● | | | | | | ● | | ● | | | | | ● | ● | | | | |
| | | Ball, sealed | | | | ● | | | | | ● | | | | | | | | | | | ● | | |
| | Material | Plastic with metal balls | | | ● | ● | | | | ● | | ● | | ● | | | | | ● | ● | ● | | | |
| | | Nyla-Ride | ● | ● | | | | | | | | | | | | ● | ● | ● | | | ● | ● | | |
| | | Nolu-S UHMW | ● | ● | ● | | | | | ● | | ● | | ● | | ● | ● | ● | | | | | | |
| | | Acetal | | | | | ● | ● | | | | | | | | | | | | | | | | |
| UHMW | | | | | | | | ● | | ● | | | | | | | | | | | | | | |

* 5/16 threaded stub shaft included

◆ Roller diameter depends on bearing selection

◆ 2.0 inches

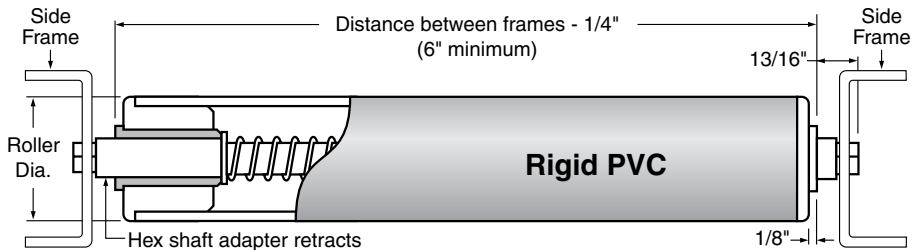
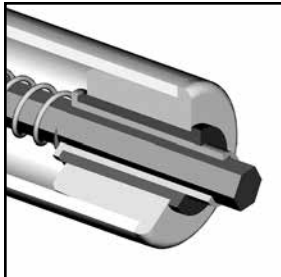
Conveyor Rollers



Rollers

Type A

PVC Roller with High Performance Sleeve Bearing



Our most popular all plastic roller, designed for belt driven conveyors and inclined gravity systems. Standard shafts extend 13/16" at each end of a roller. Custom extended shaft lengths are available. This roller can be purchased without a shaft if you prefer (leave shaft information out of part number).

Roller material: beige, rigid PVC.
End plug material: beige ABS.

See page 396 for Type A Roller standard part numbers.

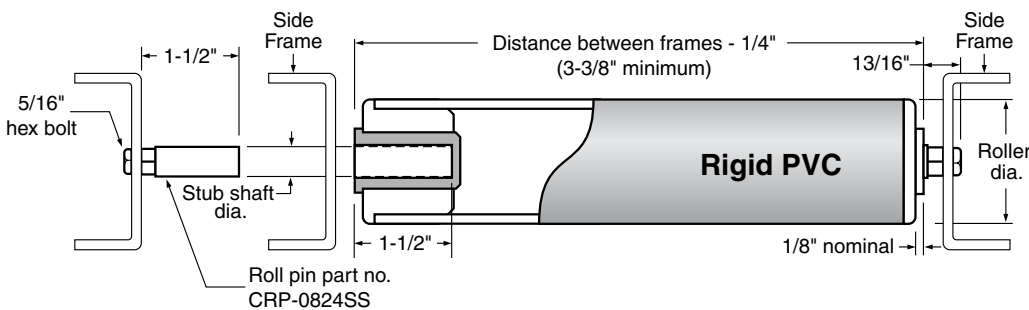
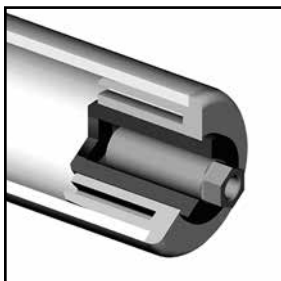
| | |
|------------------|---------|
| Bearing Type: | Sleeve |
| Bore Type: | Through |
| Roller Material: | PVC |

| Shaft Material | Hex Adapter Material | Roller Diameter | Bearing Material | Distance Between Frames |
|---------------------|----------------------|-----------------|------------------|-------------------------|
| Part No. | Part No. | Part No. | Part No. | |
| Description | Description | Description | Description | |
| CS Carbon steel | C Carbon steel | R220 1.90" | S Nolu-S | |
| 304SS 304 stainless | 316SS 316 stainless | R250 2.25" | | |
| 316SS 316 stainless | | R270 2.38" | | |
| | | R280 2.50" | | |
| | | R320 2.88" | | |

| | | | | | | |
|--------------------|-------------------|----------------------|----------------------|----------------------|----------------------|----------------------|
| 7/16 hex shaft ▶ | A-7/16hex- | <input type="text"/> | <input type="text"/> | <input type="text"/> | <input type="text"/> | <input type="text"/> |
| 1/2" round shaft ▶ | A-1/2 | <input type="text"/> | <input type="text"/> | <input type="text"/> | <input type="text"/> | <input type="text"/> |

Type B

PVC Roller with High Performance Blind Bore Sleeve Bearing



Designed for belt driven conveyors and inclined gravity systems where added cleanliness is required. The blind bore sleeve bearing can accommodate a 1/2" or 5/8" stainless steel stub shaft or extended pin chain attachments. The standard roller is bored to suit part number CRP-0824SS which is 1/2" dia., 316 stainless steel, and can be bolted to your side frame.

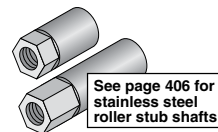
Roller material: beige, rigid PVC.
End plug material: beige ABS.

See page 396 for Type B Roller standard part numbers.

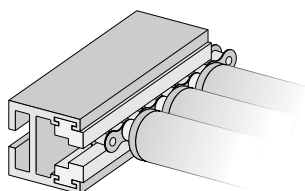
| | |
|------------------|--------|
| Bearing Type: | Sleeve |
| Bore Type: | Blind |
| Roller Material: | PVC |

| Stub Shaft Diameter | Roller Diameter | Bearing Material | Distance Between Frames |
|---------------------|-----------------|------------------|-------------------------|
| Part No. | Part No. | Part No. | |
| Description | Description | Description | |
| 1/2" | R220 1.90" | S Nolu-S | |
| 5/8" | R250 2.25" | | |
| | R270 2.38" | | |
| | R280 2.50" | | |
| | R320 2.88" | | |

| | | | | |
|-----------|----------------------|----------------------|----------------------|----------------------|
| B- | <input type="text"/> | <input type="text"/> | <input type="text"/> | <input type="text"/> |
|-----------|----------------------|----------------------|----------------------|----------------------|



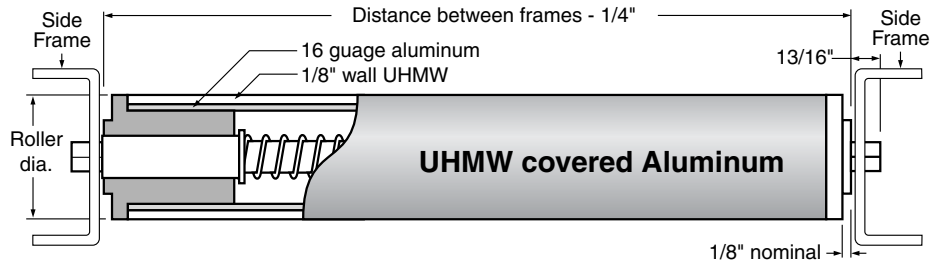
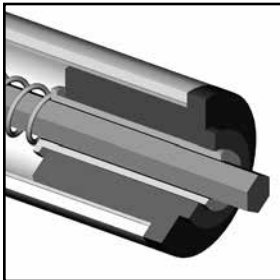
Conveyor Rollers





Type C

UHMW Roller with High Performance Sleeve Bearing

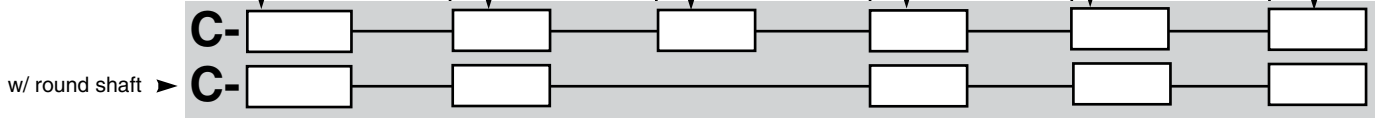


Our UHMW roller, reinforced with an aluminum tube, offers maximum abrasion resistance. Designed primarily for belt driven conveyors, the plastic sleeve bearings is an excellent choice for applications exposed to abrasive or corrosive products, candy production or printing where a non-stick surface is required. Standard shafts extend 13/16" at each end of a roller. Custom extended shaft lengths are available.

Roller material: aluminum, UHMW.

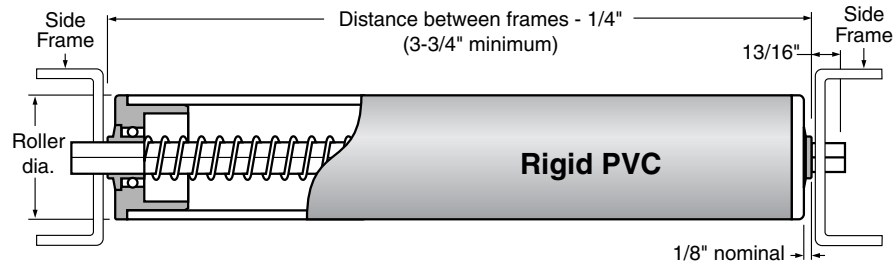
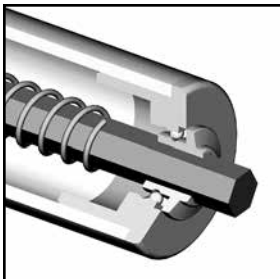
| | |
|------------------|-----------------------|
| Bearing Type: | Sleeve |
| Bore Type: | Through |
| Roller Material: | UHMW covered aluminum |

| Shaft Diameter | | Shaft Material | | Hex Adapter Material | | Roller Diameter | | Bearing Material | | Distance Between Frames |
|----------------|-------------|----------------|---------------|----------------------|----------------------------|-----------------|-------------|------------------|-------------|-------------------------|
| Part No. | Description | Part No. | Description | Part No. | Description | Part No. | Description | Part No. | Description | |
| 7/16 hex | 7/16" hex | CS | Carbon steel | C | Carbon steel | R220 | 1.90" | S | Nolu-S | |
| 5/16 hex | 5/16" hex | 304SS | 304 stainless | 316SS | 316 stainless | R270 | 2.38" | | | |
| 1/2 | 1/2" round | 316SS | 316 stainless | | <i>Use with hex shaft.</i> | | | | | |



Type D

PVC Roller with Nolu Plastic Ball Bearing



A cost effective lighter duty roller designed primarily for gravity conveyor applications. Standard shafts extend 13/16" at each end of a roller. Custom extended shaft lengths are available.

Roller material: beige, rigid PVC.

| | |
|------------------|---------|
| Bearing Type: | Ball |
| Bore Type: | Through |
| Roller Material: | PVC |

See page 397 for Type D Roller standard part numbers.

| Shaft Material | | Roller Diameter, Shaft Diameter and Bearing Material | | | | Distance Between Frames |
|----------------|---------------|--|-------------|-------------|--------------------------------------|-------------------------|
| Part No. | Description | Part No. | Roller Dia. | Shaft Dia. | Bearing Material | |
| CS | Carbon steel | NBB110 | .81" | 1/4" round | Acetal w/ 420 stainless balls | |
| 304SS | 304 stainless | NBB130 | 1.06" | 5/16" hex | Acetal w/ 420 stainless balls | |
| 316SS | 316 stainless | NBB145 | 1.19" | 5/16" round | Acetal w/ 420 stainless balls | |
| | | NBB150 | 1.31" | 5/16" hex | Acetal w/ 420 stainless balls | |
| | | NBB220 | 1.90" | 7/16" hex | Acetal w/ 420 stainless balls | |
| | | SPB220 | 1.90" | 7/16" hex | Polypropylene w/ 316 stainless balls | |

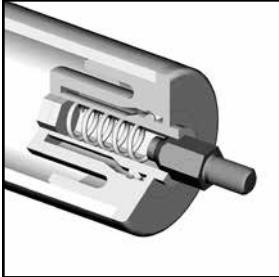


Conveyor Rollers

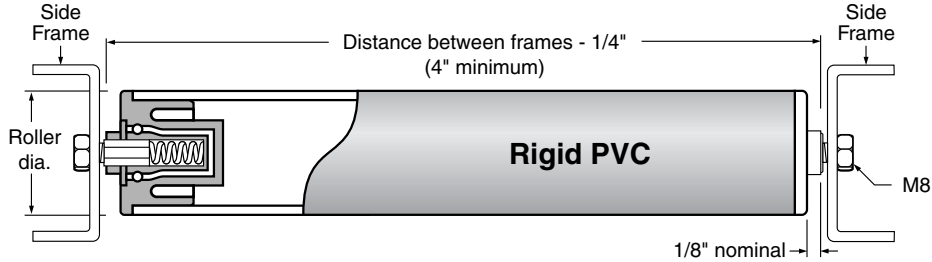


Type E

PVC Roller with Sealed End Ball Bearing



| | |
|------------------|-------|
| Bearing Type: | Ball |
| Bore Type: | Blind |
| Roller Material: | PVC |

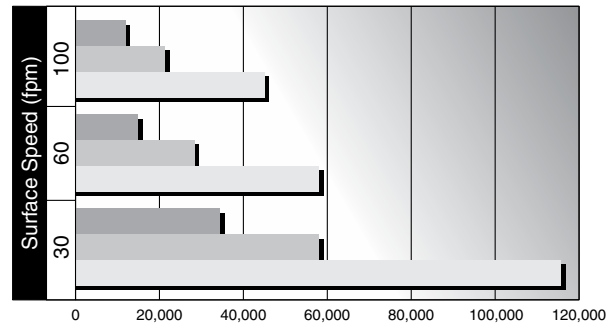


Our low friction roller with sealed end bearings prevents fluids and other contaminants from entering the tube. Useful in the processing industry due to the corrosion resistant materials that are USDA accepted for incidental contact with food products. Spring loaded, stainless steel stub shafts ease the assembly into a frame capable of accepting the M8 threaded attachments,

Roller material: beige, rigid PVC.

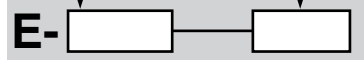
Estimated Bearing Life For Plastic Ball Bearings

Radial load lbs. per roller: 5 10 15



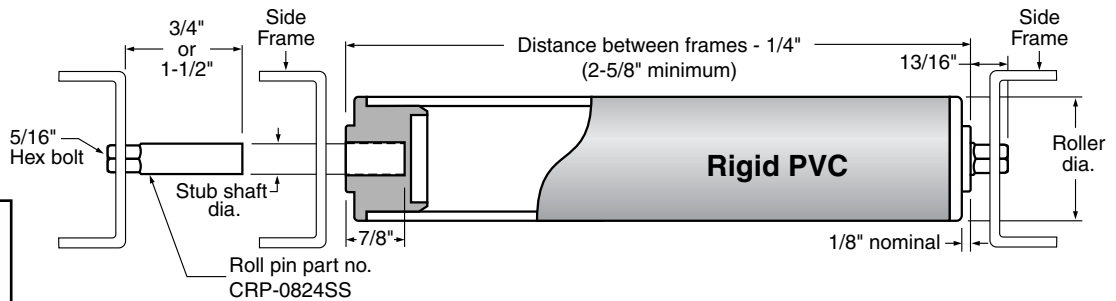
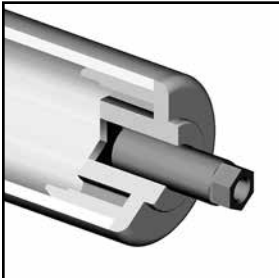
Estimated bearing life will be reduced by impact loads and by exposure of contaminants. If the distance between frames is greater than 12", load capacity will be limited by the rigidity of the PVC tubing.

| Roller Diameter | Part No. | Description | Distance Between Frames |
|-----------------|----------|-------------|-------------------------|
| SBR220 | 1.90" | | |
| SBR270 | 2.37" | | |



Type F

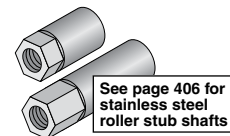
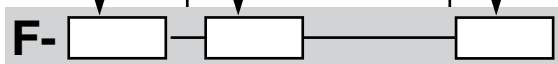
PVC Roller with Blind-Bore Sleeve Bearing



Type F roller is designed to provide added cleanliness and reduce potential areas of contamination. The one piece, blind bore sleeve bearing can accommodate a stainless steel roller stub shaft or extended pin chain attachment up to $\text{\O} 5/8$ ". Unless specified otherwise, rollers come with $\text{\O} 1/2$ " bores that can be used with our $\text{\O} 1/2$ ", 316 stainless steel roller stub shafts (see page 406) which are bolted directly to the side frame.

Roller material: beige, rigid PVC.
End plugs/bearing: beige acetal.

| Stub Shaft Diameter | Roller Diameter | Part No. | Description | Distance Between Frames |
|---------------------|-----------------|----------|-------------|-------------------------|
| 1/2" (other) | NR220 | 1.90" | | |
| | NR270 | 2.38" | | |



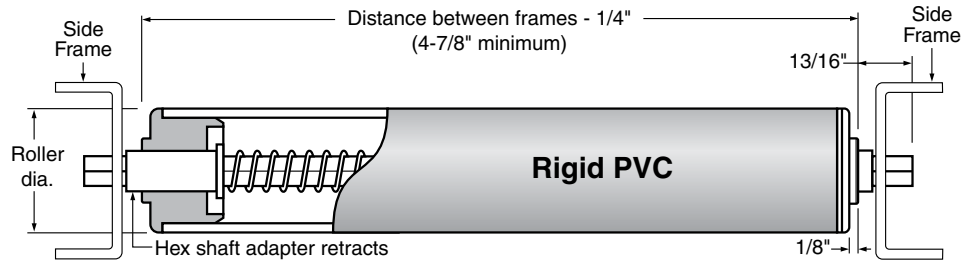
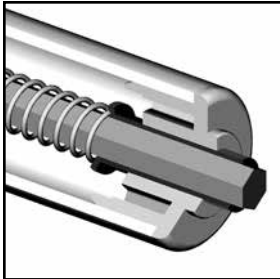
See page 406 for stainless steel roller stub shafts

Conveyor Rollers



Type G

PVC Roller with Sleeve Bearings



Our economical, light duty roller with a selection of steel shaft assemblies. Designed to support the return side of belt conveyors and inclined gravity systems. Standard shafts extend 13/16" at each end of a roller. Custom extended shaft lengths are available. This roller can be purchased without a shaft if you prefer (leave shaft information out of part number).

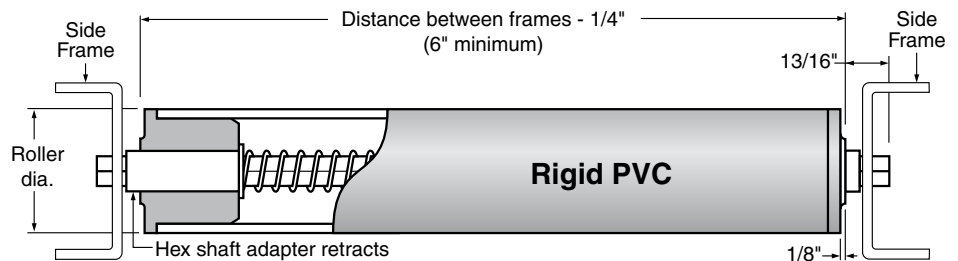
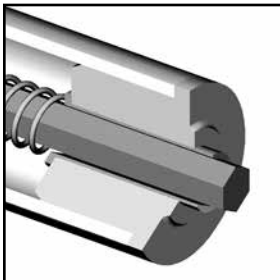
Roller material: beige, rigid PVC.
End plug material: beige acetal.
Bearing material: beige acetal.

| | |
|------------------|---------|
| Bearing Type: | Sleeve |
| Bore Type: | Through |
| Roller Material: | PVC |

| | Shaft Material Part No. Description | Hex Adapter Material Part No. Description | Roller Diameter Part No. Description | Distance Between Frames |
|------------------|--|--|--|----------------------------|
| 7/16 hex shaft ➤ | CS Carbon steel 304SS 304 stainless 316SS 316 stainless | C Carbon steel 316SS 316 stainless S Nolu-S <i>Use with hex shaft.</i> | NR220 1.90" NR270 2.38" | |
| w/ round shaft ➤ | | | | |

Type H

PVC Roller with One Piece End Plugs of Sleeve Bearing Material



Designed for belt driven conveyors offering all the advantages of a plastic roller and eliminates all the problems associated with the use of ball bearings. Standard shafts extend 13/16" at each end of a roller. This roller can be purchased without a shaft if you prefer (leave shaft information out of part number).

Roller material: beige, rigid PVC.
Bearing material: UHMW, Nolu-S.

| | |
|------------------|---------|
| Bearing Type: | Sleeve |
| Bore Type: | Through |
| Roller Material: | PVC |

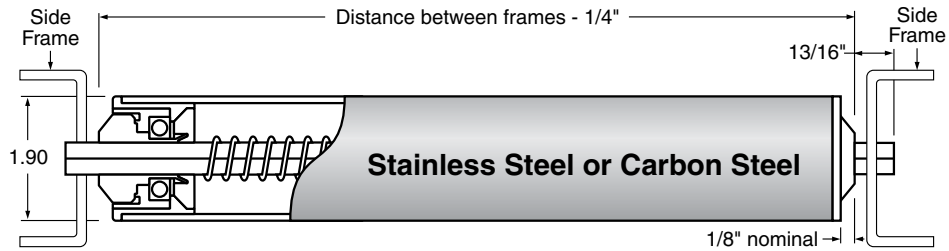
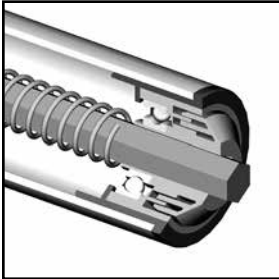
| | Shaft Material Part No. Description | Hex Adapter Material Part No. Description | Roller Diameter and Material UHMW# Nolu-S # Description | Distance Between Frames |
|----------------|--|---|---|----------------------------|
| 7/16 hex shaft | CS Carbon steel 304SS 304 stainless 316SS 316 stainless | C Carbon steel 316SS 316 stainless <i>Use with hex shaft.</i> | HT130 or ST130 1.06" HT145 or ST145 1.19" HR190 or ST190 1.66" HR220 or SR220 1.90" HR250 or SR250 2.25" HR270 or SR270 2.38" HR280 or SR280 2.5" HR320 or SR320 2.88" | |
| w/ round shaft | | | | |

Conveyor Rollers



Type I

Steel Roller with Plastic Ball Bearing



Designed primarily for belt driven conveyors and inclined gravity systems where a heavy duty roller is required. Standard shafts are 7/16" hex and extend 13/16" at each end of a roller. Custom extended shaft lengths are available.

Roller material: stainless or carbon steel.

See page 393 for Type I Roller standard part numbers.

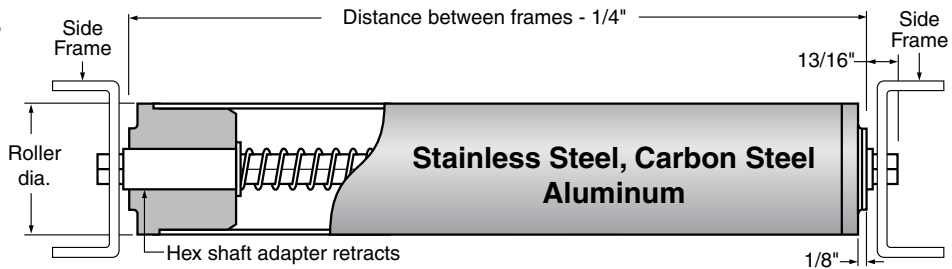
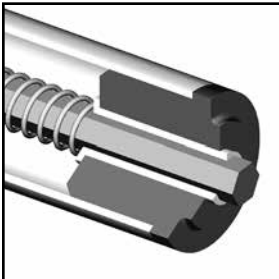
| | |
|------------------|---------|
| Bearing Type: | Ball |
| Bore Type: | Through |
| Roller Material: | Steel |

| Shaft Material | Bearing | Shaft Diameter | Tubing Material | Distance |
|----------------------|---|----------------|----------------------|----------------|
| Part No. Description | Part No. Description | Description | Part No. Description | Between Frames |
| CS Carbon steel | 222LSB-224-01 Plastic housing with carbon steel caged bearing insert | 7/16 | 2 Carbon steel | ↓ |
| 304SS 304 stainless | 222LSB-224-02 Plastic housing with carbon steel double shielded bearing insert | | 3 304 stainless | |
| 316SS 316 stainless | 222LSB-224-03 Plastic housing with carbon steel double rubber sealed bearing insert | | | |



Type J

Steel / Aluminum Roller with Non-Metallic Sleeve Bearings



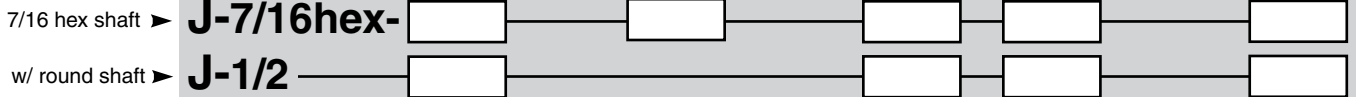
Roller can be produced from most standard tube sizes and using a conveyor roll end bearing from the table on page 407. Designed primarily for belt driven conveyors and inclined gravity systems. It provides the same rigidity as other metal tube rollers and yet eliminates all the problems associated with the use of ball bearings. Standard shafts extend 13/16" at each end of a roller. Custom extended shaft lengths are available. This roller can be purchased without a shaft if you prefer (leave shaft information out of part number).

Roller material: stock steels or aluminum.

| | |
|------------------|---------|
| Bearing Type: | Sleeve |
| Bore Type: | Through |
| Roller Material: | Steel |

| Shaft Material | Hex Adapter Material | Roller Dia., Gage, | Tubing Material | Distance |
|----------------------|----------------------|---|----------------------|----------------|
| Part No. Description | Part No. Description | Bearing Material & Bore size (see pg. 451) (e.g. HR-234J) | Part No. Description | Between Frames |
| CS Carbon steel | C Carbon steel | | 2 Carbon steel | ↓ |
| 304SS 304 stainless | 316SS 316 stainless | | 3 304 stainless | |
| 316SS 316 stainless | | | 5 Aluminum | |

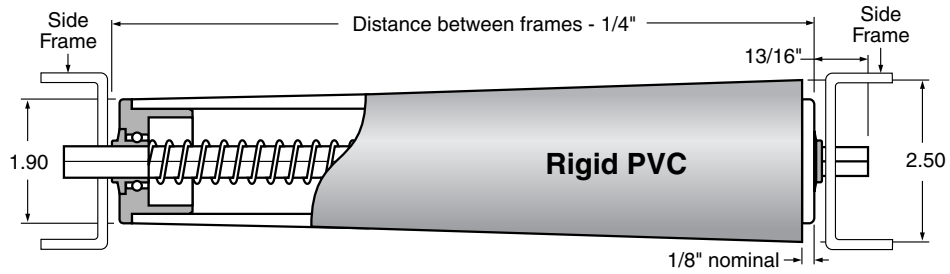
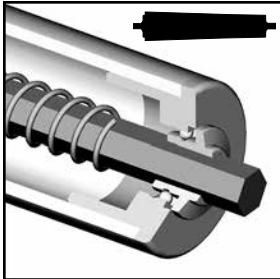
Use with hex shaft.





Type K

Tapered PVC Roller with Plastic Ball Bearing



Designed primarily for gravity conveyors where a clean, corrosion free environment is required. The bearings are unaffected by most normal washdown procedures. Standard shafts extend 13/16" at each end of a roller. Custom extended shaft lengths are available.

Roller material: gray, rigid PVC hollow bar.

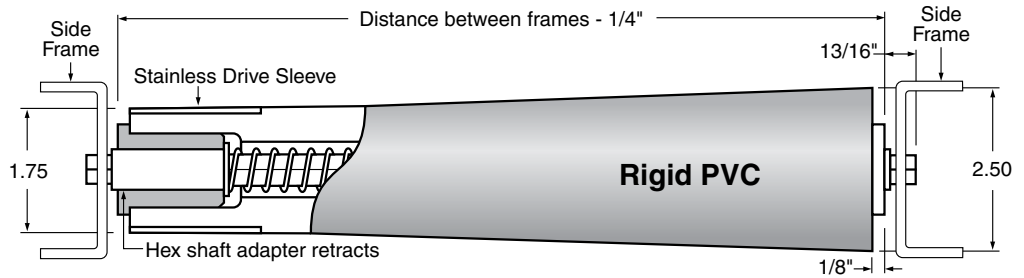
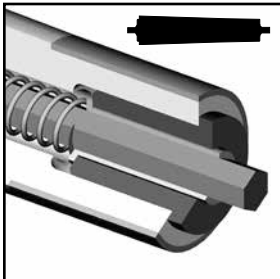
| | |
|------------------|---------|
| Bearing Type: | Ball |
| Bore Type: | Through |
| Roller Material: | PVC |

| Shaft Material | Roller Diameter, Shaft Diameter and Bearing Material | Distance Between Frames | | | | |
|----------------|--|-------------------------|-------------|------------|--------------------------------------|---|
| Part No. | Description | Part No. | Roller Dia. | Shaft Dia. | Bearing Material | |
| CS | Carbon steel | NBB220 | 1.90" | 7/16" hex | Acetal w/ 420 stainless balls | ↓ |
| 304SS | 304 stainless | SPB220 | 1.90" | 7/16" hex | Polypropylene w/ 316 stainless balls | |
| 316SS | 316 stainless | | | | | |

K- [] [] []

Type L

Tapered PVC Roller with High Performance Sleeve Bearings



Designed for belt driven systems or can be fitted with UHMW sprockets. Standard shafts extend 13/16" at each end of a roller. Custom extended shaft lengths are available.

Roller material: gray, rigid PVC hollow bar.

| | |
|------------------|---------|
| Bearing Type: | Sleeve |
| Bore Type: | Through |
| Roller Material: | PVC |

| Shaft Material | Hex Adapter Material | Bearing Material | Distance Between Frames | | | |
|----------------|----------------------|------------------|-------------------------|----------|-------------|---|
| Part No. | Description | Part No. | Description | Part No. | Description | |
| CS | Carbon steel | C | Carbon steel | S | Nolu-S | ↓ |
| 304SS | 304 stainless | 316SS | 316 stainless | | | |
| 316SS | 316 stainless | | | | | |

Use with hex shaft.

7/16 hex shaft → **L-7/16hex-** [] [] [] []

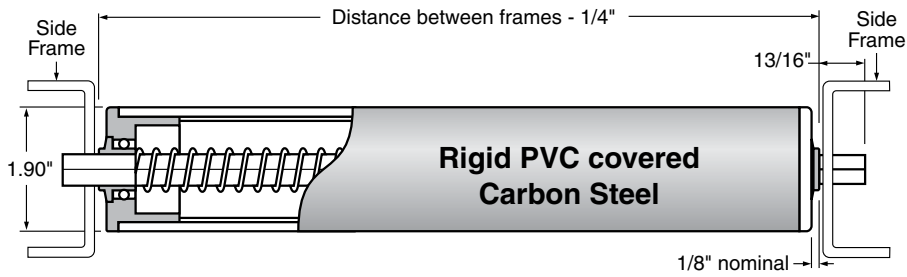
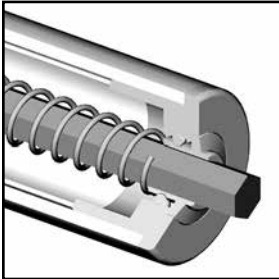
w/ round shaft → **L-1/2** [] [] [] []

Conveyor Rollers



Type M

Steel Reinforced PVC Roller with Plastic Ball Bearing

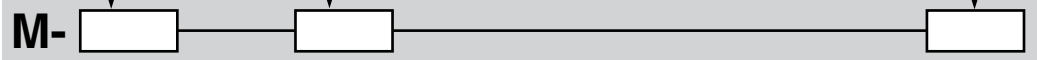


Designed primarily for gravity conveyors where a clean, corrosion free environment is required. The reinforcing tube will increase the load carrying capacity to the limit of the bearings. Standard shafts extend 13/16" at each end of a roller. Custom extended shaft lengths are available.

Roller material: beige, rigid PVC over carbon steel.

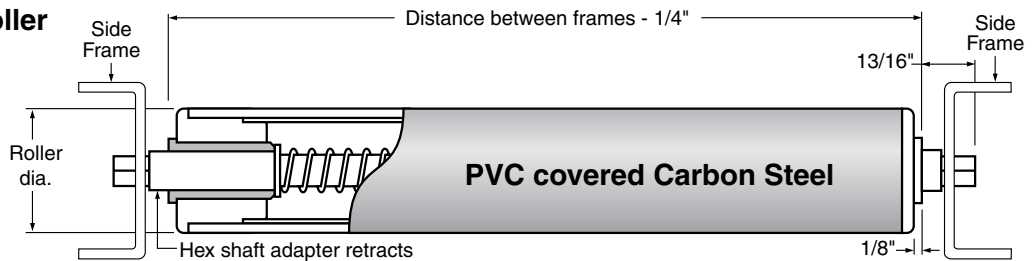
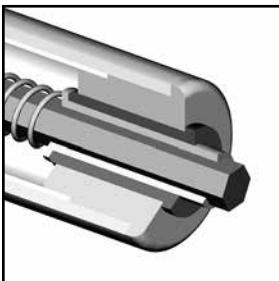
| | |
|------------------|---------------|
| Bearing Type: | Ball |
| Bore Type: | Through |
| Roller Material: | PVC and steel |

| Shaft Material | Roller Diameter, Shaft Diameter and Bearing Material | | | | Distance Between Frames |
|----------------------|--|-------------|------------|--------------------------------------|-------------------------|
| Part No. Description | Part No. | Roller Dia. | Shaft Dia. | Bearing Material | |
| CS Carbon steel | NBB220 | 1.90" | 7/16" hex | Acetal w/ 420 stainless balls | ↓ |
| 304SS 304 stainless | SPB220 | 1.90" | 7/16" hex | Polypropylene w/ 316 stainless balls | |
| 316SS 316 stainless | | | | | |



Type N

Steel Reinforced PVC Roller with High Performance Sleeve Bearings



Designed primarily for belt driven conveyors and inclined gravity systems. Offers all the advantages of a plastic roller and eliminates the problem associated with the use of ball bearings. Standard shafts extend 13/16" at each end of a roller. Custom extended shaft lengths are available.

Roller material: beige, rigid PVC over carbon steel.
End Plug material: beige, ABS.

| | |
|------------------|---------------|
| Bearing Type: | Sleeve |
| Bore Type: | Through |
| Roller Material: | PVC and steel |

| Shaft Material | Hex Adapter Material | | Roller Diameter | | Bearing Material | | Distance Between Frames |
|----------------------|----------------------|---------------|-----------------|-------------|------------------|-------------|-------------------------|
| Part No. Description | Part No. | Description | Part No. | Description | Part No. | Description | |
| CS Carbon steel | C | Carbon steel | R220R | 1.90" | S | Nolu-S | ↓ |
| 304SS 304 stainless | 316SS | 316 stainless | R270R | 2.38" | | | |
| 316SS 316 stainless | | | | | | | |

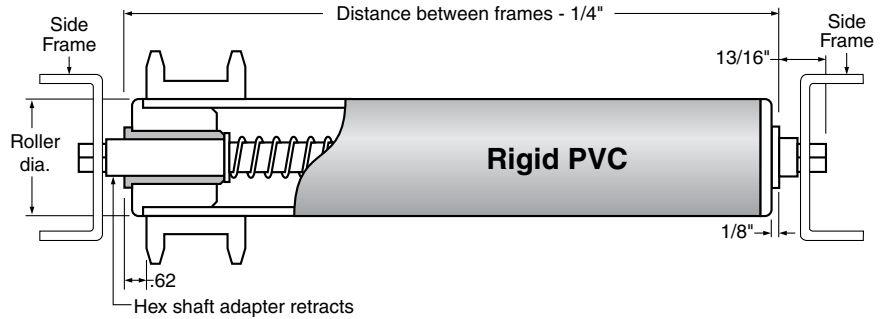
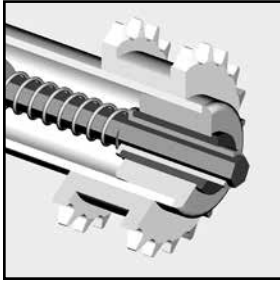


Conveyor Rollers



Type P

Double Sprocket PVC Roller with High Performance Sleeve Bearings



Our Type A roller with a UHMW double sprocket is available for various roller chains. In a driven system, the need for lubrication is eliminated. Better service life and chain wear is reduced. Noise levels are significantly reduced and the roller gains easy acceptance by the USDA and FDA. Standard shafts extend 13/16" at each end of a roller. Custom extended shaft lengths are available.

Roller material: beige, rigid PVC.
End Plug material: beige, ABS.

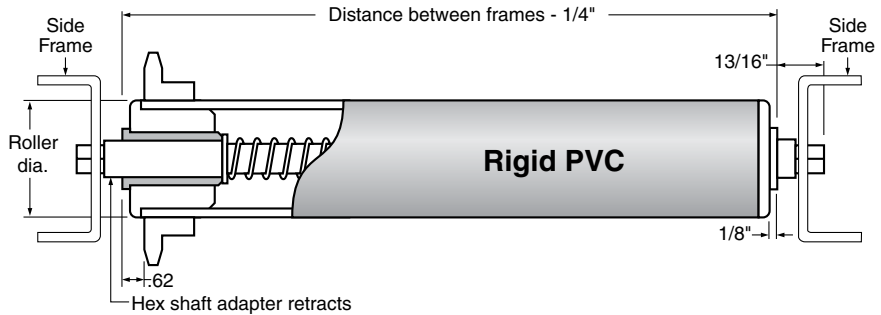
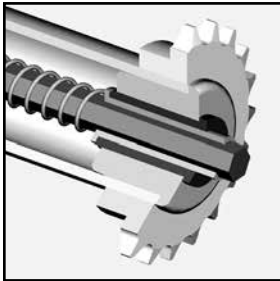
| | |
|------------------|---------|
| Bearing Type: | Sleeve |
| Bore Type: | Through |
| Roller Material: | PVC |

| Shaft Material | Hex Adapter Material | Roller Diameter | Bearing Material | Roller Chain | Number | Distance |
|---------------------|----------------------|-----------------|------------------|--------------|--------|----------|
| Part No. | Part No. | Part No. | Part No. | Number | of | Between |
| Description | Description | Desc. | Desc. | Teeth | Frames | |
| CS Carbon steel | C Carbon steel | R220 1.90" | S Nolu-S | | | |
| 304SS 304 stainless | 316SS 316 stainless | R250 2.25" | | | | |
| 316SS 316 stainless | | R270 2.38" | | | | |
| | | R280 2.50" | | | | |

| | | | | | | | |
|----------------|------------|----------------------|----------------------|----------------------|----------------------|----------------------|----------------------|
| 7/16 hex shaft | P-7/16hex- | <input type="text"/> | <input type="text"/> | <input type="text"/> | <input type="text"/> | <input type="text"/> | <input type="text"/> |
| w/ round shaft | P-1/2 | <input type="text"/> | <input type="text"/> | <input type="text"/> | <input type="text"/> | <input type="text"/> | <input type="text"/> |

Type Q

Single Sprocket PVC Roller with High Performance Sleeve Bearings



Our Type A roller with a UHMW single sprocket is available for various roller chains. In a driven system, the need for lubrication is eliminated. Better service life and chain wear is reduced. Noise levels are significantly reduced and the roller gains easy acceptance by the USDA and FDA. Standard shafts extend 13/16" at each end of a roller. Custom extended shaft lengths are available.

Roller material: beige, rigid PVC.
End Plug material: beige, ABS.

| | |
|------------------|---------|
| Bearing Type: | Sleeve |
| Bore Type: | Through |
| Roller Material: | PVC |

| Shaft Material | Hex Adapter Material | Roller Diameter | Bearing Material | Roller Chain | Number | Distance |
|---------------------|----------------------|-----------------|------------------|--------------|--------|----------|
| Part No. | Part No. | Part No. | Part No. | Number | of | Between |
| Description | Description | Desc. | Desc. | Teeth | Frames | |
| CS Carbon steel | C Carbon steel | R220 1.90" | S Nolu-S | | | |
| 304SS 304 stainless | 316SS 316 stainless | R250 2.25" | | | | |
| 316SS 316 stainless | | R270 2.38" | | | | |
| | | R280 2.50" | | | | |

| | | | | | | | |
|----------------|------------|----------------------|----------------------|----------------------|----------------------|----------------------|----------------------|
| 7/16 hex shaft | Q-7/16hex- | <input type="text"/> | <input type="text"/> | <input type="text"/> | <input type="text"/> | <input type="text"/> | <input type="text"/> |
| w/ round shaft | Q-1/2 | <input type="text"/> | <input type="text"/> | <input type="text"/> | <input type="text"/> | <input type="text"/> | <input type="text"/> |

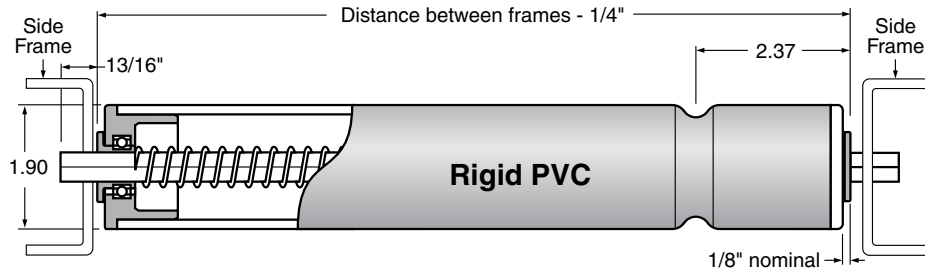
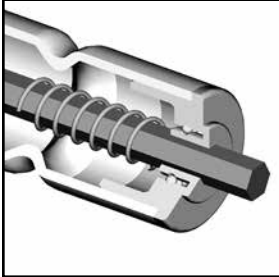
Conveyor Rollers



Type S



PVC Line Shaft Roller with Precision Ball Bearing



Plastic line shaft conveyor roller designed with a spring loaded 7/16" hex shaft. Noise levels are significantly reduced and surface build up is minimized. Standard shafts extend 13/16" at each end of a roller. Custom extended shaft lengths are available.

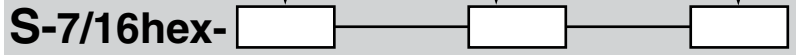
Roller material: beige, rigid PVC.

"O" ring groove material: machined into PVC.

Bearing is HPR-220 series precision ball bearing mounted in reinforced polypropylene.

| | |
|------------------|---------|
| Bearing Type: | Ball |
| Bore Type: | Through |
| Roller Material: | PVC |

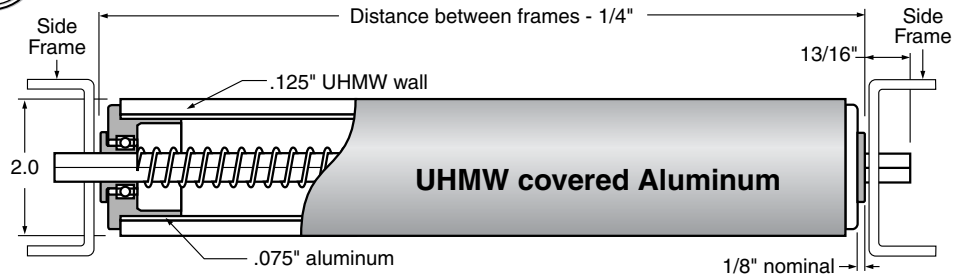
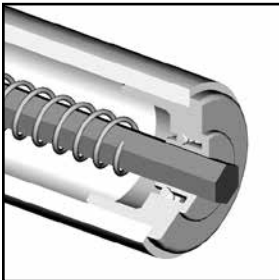
| Shaft Material | | Belt Diameter | | Distance Between Frames |
|----------------|---------------|---------------|-------------|-------------------------|
| Part No. | Description | Part No. | Description | |
| CS | Carbon steel | 3/16 | 3/16" | ↓ |
| 304SS | 304 stainless | 1/4 | 1/4" | |
| 316SS | 316 stainless | | | |



Type T



Aluminum reinforced UHMW Roller with Precision Ball Bearing



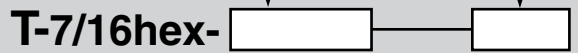
Maximum abrasion resistant roller, reinforced with an aluminum tube. Fitted with a high performance bearing assembly that provides the lowest coefficient of friction, excellent load carrying capacity and high speed capability in one roller. Noise levels are significantly reduced and surface build up is minimized. The UHMW tube offers a great non-stick roller surface for applications such as candy production or printing. Standard shafts extend 13/16" at each end of a roller. Custom extended shaft lengths are available.

Roller material: UHMW, aluminum.

Bearing is HPR-220 series precision ball bearing mounted in reinforced polypropylene.

| | |
|------------------|-----------------|
| Bearing Type: | Ball |
| Bore Type: | Through |
| Roller Material: | UHMW & Aluminum |

| Shaft Material | | Distance Between Frames |
|----------------|---------------|-------------------------|
| Part No. | Description | |
| CS | Carbon Steel | ↓ |
| 304SS | 304 stainless | |
| 316SS | 316 stainless | |

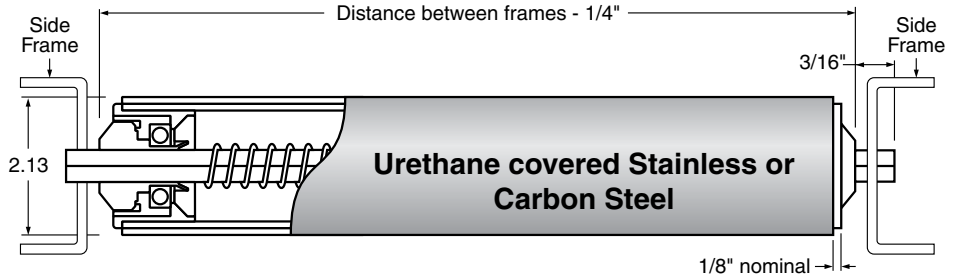
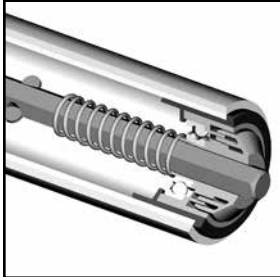


Conveyor Rollers



Type U

Urethane Covered Steel Roller with Plastic Ball Bearing

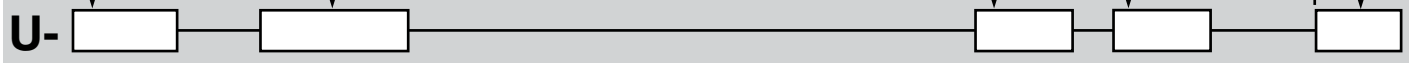


| | |
|------------------|---------------------------|
| Bearing Type: | Ball |
| Bore Type: | Through |
| Roller Material: | Stainless or Carbon Steel |

Designed primarily for belt driven conveyors and inclined gravity systems where a heavy duty roller is required. Urethane covering helps protect heavy products that require a flawless cosmetic appearance. Standard shafts are 7/16" hex and extend 13/16" at each end of a roller. Custom extended shaft lengths are available.

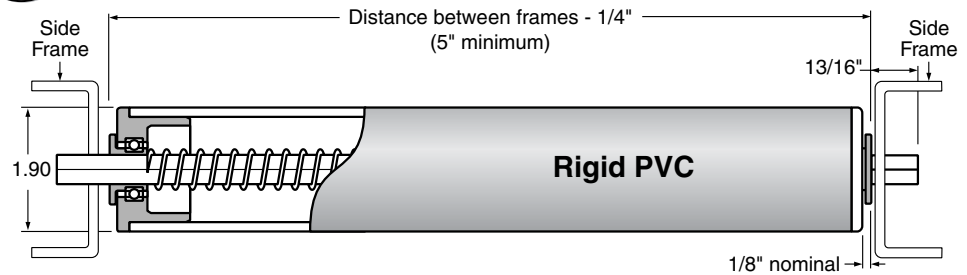
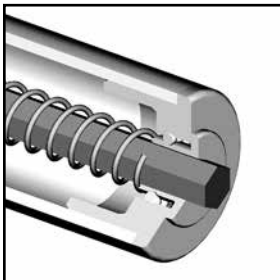
Roller material: stainless or carbon steel.

| Shaft Material Part No. | Description | Bearing Part No. | Description | Shaft Diameter | Tubing Material Part No. | Description | Distance Between Frames |
|-------------------------|---------------|------------------|---|----------------|--------------------------|---------------|-------------------------|
| CS | Carbon steel | 222LSB-224-01 | Plastic housing with carbon steel insert | 7/16 | 2 | Carbon steel | |
| 304SS | 304 stainless | 222LSB-224-02 | Plastic housing with carbon steel double shielded bearing insert | | 3 | 304 stainless | |
| 316SS | 316 stainless | 222LSB-224-03 | Plastic housing with carbon steel double rubber sealed bearing insert | | | | |



Type V

PVC Free-Turning Roller with Precision Ball Bearing



| | |
|------------------|---------|
| Bearing Type: | Ball |
| Bore Type: | Through |
| Roller Material: | PVC |

Free turning conveyor roller that is ideal for gravity systems and the precision bearing is also designed for continuous use in driven systems, even at high speeds. Noise levels are significantly reduced and surface build up is minimized. Standard shafts extend 13/16" at each end of a roller. Custom extended shaft lengths are available.

Roller material: beige, rigid PVC.

Bearing is HPR-220 series precision ball bearing mounted in reinforced polypropylene.

| Shaft Material Part No. | Description | Distance Between Frames |
|-------------------------|---------------|-------------------------|
| CS | Carbon Steel | |
| 304SS | 304 stainless | |
| 316SS | 316 stainless | |



Conveyor Rollers



Machined Roller End Bearings

Roller End Bearings

We constantly manufacture nonstandard rollers to solve design problems and offer maintenance free service in a specific environment. Each of these products makes use of our high performance bearing materials.

How To Order Conveyor Roller End Bearings:

The standard part numbers in our tables comprise a full line of roller end bearings manufactured from white UHMW (part numbers starting with "H"). If a custom size is required, provide us with your tubing outside diameter, the gauge thickness and shaft diameter. If an alternative material is required, revise the part number prefix as follows:

Nolu-S, use the letter "S" in place of "H"

Nolu-S is a proprietary alloy of food grade lubricants combined with UHMW. This creates a material which retains most of the properties of UHMW while significantly reducing friction. Nolu-S advantages include protection of expensive mating surfaces, lower noise levels and FDA and USDA approved ingredients.

Example: **HR-190** uses UHMW, **SR-190** uses Nolu-S

A bearing will be supplied with a bore designed for a 1/2" diameter shaft unless a suffix letter is added to the part number from the list below.

*Additional Bores

A=3/16" No Letter= 1/2" M=13/16"

B= 1/4" H= 9/16" N=7/8"

C= 5/16" J= 5/8" Q= 15/16"

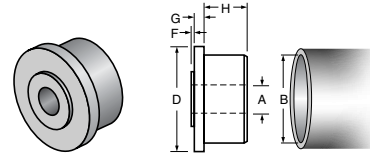
E=3/8" K= 11/16" T=1"

F= 7/16" L= 3/4" U= 1-1/16"

Example: **SR-190J**

HT

Light Duty Bearings



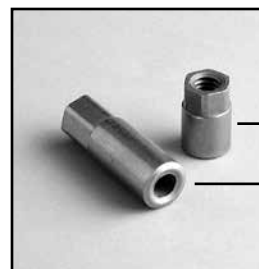
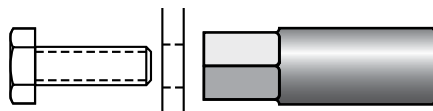
| Part Number | A Bore | D Tube OD | Gauge Tube | Tube Wall | B Tube ID | F | G | H |
|-------------|--------|-----------|------------|-----------|-----------|------|-----|------|
| HT-072A | 3/16 | 1/2 | 20 | .035 | .430 | 1/16 | 1/8 | 5/16 |
| HT-073A | 3/16 | 1/2 | 18 | .049 | .402 | 1/16 | 1/8 | 5/16 |
| HT-082A | 3/16 | 5/8 | 20 | .035 | .555 | 1/16 | 1/8 | 5/16 |
| HT-090A | 3/16 | .706 | 1/2 EMT | .042 | .622 | 1/16 | 1/8 | 1/2 |
| HT-102B | 1/4 | 3/4 | 20 | .035 | .680 | 1/16 | 1/8 | 1/2 |
| HT-104B | 1/4 | 3/4 | 16 | .065 | .620 | 1/16 | 1/8 | 1/2 |
| HT-112B | 1/4 | 7/8 | 20 | .035 | .805 | 1/16 | 1/8 | 1/2 |
| HT-113B | 1/4 | 7/8 | 18 | .049 | .777 | 1/16 | 1/8 | 1/2 |
| HT-120B | 1/4 | .922 | 3/4 EMT | .049 | .824 | 1/16 | 1/8 | 1/2 |
| HT-122E | 3/8 | 1 | 20 | .035 | .930 | 1/16 | 1/8 | 1/2 |
| HT-127E | 3/8 | 1 | 17 | .058 | .884 | 1/16 | 1/8 | 1/2 |
| HT-124E | 3/8 | 1 | 16 | .065 | .870 | 1/16 | 1/8 | 1/2 |
| HT-137E | 3/8 | 1-1/8 | 17 | .058 | 1.009 | 1/16 | 1/8 | 1/2 |
| HT-134E | 3/8 | 1-1/8 | 16 | .065 | .995 | 1/16 | 1/8 | 1/2 |
| HT-140E | 3/8 | 1.163 | 1 EMT | .057 | 1.049 | 1/16 | 1/8 | 1/2 |
| HT-142 | 1/2 | 1-1/4 | 20 | .035 | 1.180 | 1/16 | 1/8 | 9/16 |
| HT-144 | 1/2 | 1-1/4 | 16 | .065 | 1.120 | 1/16 | 1/8 | 1/2 |
| HT-150 | 1/2 | 1.315 | 1 Pipe | .133 | 1.049 | 1/16 | 1/8 | 9/16 |



CRP

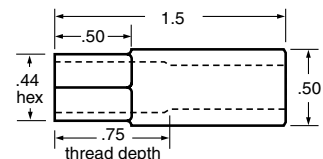
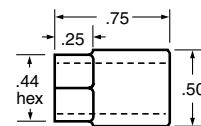
Stainless Steel Roller Stub Shafts

Available for use in blind hole bearings. Our standard parts are 1/2 inch dia. and are available in two lengths, 3/4 inch and 1-1/2 inch. A 7/16 inch hex section is provided on the outside portion so that an open end wrench may be used to tighten the pin against the conveyor frame using a 5/16 inch UNC bolt.



CRP-0812SS (HP version)

CRP-0824SS (HL version)

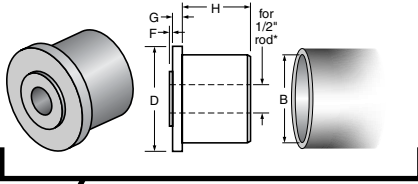


Machined Roller End Bearings



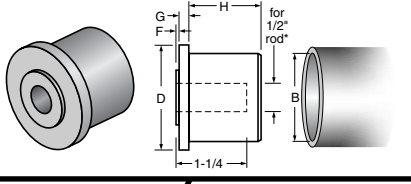
HR

Standard Duty Bearings



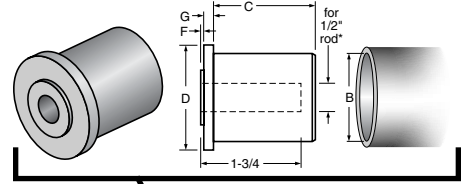
HP

Blind Hole Bearings



HL

Blind Hole Bearings, Long



| Part Number | Part Number | H |
|-------------|-------------|-------|
| HR-163 | | 1 |
| HR-164 | | 1 |
| HR-174 | HP-174 | 1-1/4 |
| HR-175 | HP-175 | 1-1/4 |
| HR-180 | | 1-1/4 |
| HR-190 | | 1-1/4 |
| HR-200 | | 1-1/4 |
| HR-204 | HP-204 | 1-1/4 |
| HR-214 | | 1-1/4 |
| HR-220 | HP-220 | 1-1/4 |
| HR-224 | | 1-1/4 |
| HR-233 | | 1-1/4 |
| HR-234 | HP-234 | 1-1/4 |
| HR-235 | | 1-1/4 |
| HR-236 | | 1-1/4 |
| HR-238 | | 1-1/4 |
| HR-250 | | 1-1/4 |
| HR-255 | | 1-1/4 |
| HR-256 | | 1-1/4 |
| HR-258 | | 1-1/4 |
| HR-264 | | 1-1/4 |
| HR-270 | HP-270 | 1-1/4 |
| HR-280 | | 1-1/4 |
| HR-284 | | 1-1/4 |
| HR-285 | | 1-1/4 |
| HR-288 | | 1-1/4 |
| HR-320 | | 1-1/4 |
| HR-334 | HP-334 | 1-3/8 |
| HR-338 | | 1-3/8 |

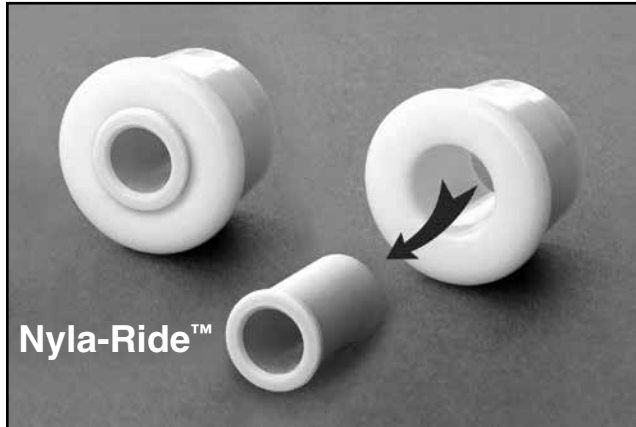
| Tube OD D | Tube Gauge | Tube Wall | Tube ID B | F | G |
|-----------|------------|-----------|-----------|------|------|
| 1-3/8 | 18 | .049 | 1.277 | 1/16 | 3/16 |
| 1-3/8 | 16 | .065 | 1.245 | 1/16 | 3/16 |
| 1-1/2 | 18 | .049 | 1.402 | 1/16 | 3/16 |
| 1-1/2 | 16 | .065 | 1.370 | 1/16 | 3/16 |
| 1-1/2 | 14 | .083 | 1.334 | 1/16 | 3/16 |
| 1.510 | 1-1/4 EMT | .065 | 1.380 | 1/16 | 3/16 |
| 1-5/8 | 16 | .065 | 1.495 | 1/16 | 3/16 |
| 1.660 | 1-1/4 Pipe | .140 | 1.380 | 1/16 | 3/16 |
| 1.740 | 1-1/2 EMT | .065 | 1.610 | 1/16 | 3/16 |
| 1-3/4 | 16 | .065 | 1.620 | 1/16 | 3/16 |
| 1-3/4 | 14 | .083 | 1.584 | 1/16 | 3/16 |
| 1-3/4 | 11 | .120 | 1.510 | 1/16 | 3/16 |
| 1-7/8 | 16 | .065 | 1.745 | 1/16 | 3/16 |
| 1-7/8 | 13 | .095 | 1.685 | 1/16 | 3/16 |
| 1.900 | 1-1/2 Pipe | .145 | 1.610 | 1/16 | 3/16 |
| 1.900 | 16 | .065 | 1.770 | 1/16 | 3/16 |
| 2 | 18 | .049 | 1.902 | 1/8 | 1/4 |
| 2 | 16 | .065 | 1.870 | 1/8 | 1/4 |
| 2 | 14 | .083 | 1.834 | 1/8 | 1/4 |
| 2 | 13 | .095 | 1.810 | 1/8 | 1/4 |
| 2 | 11 | 0.12 | 1.760 | 1/8 | 1/4 |
| 2.197 | 2 EMT | 0.065 | 2.067 | 1/8 | 1/4 |
| 2-1/4 | 2-1/4 Nolu | .154 | 1.942 | 1/8 | 1/4 |
| 2-1/4 | 18 | .049 | 2.152 | 1/8 | 1/4 |
| 2-1/4 | 16 | .065 | 2.120 | 1/8 | 1/4 |
| 2-1/4 | 14 | .083 | 2.084 | 1/8 | 1/4 |
| 2-1/4 | 13 | .095 | 2.060 | 1/8 | 1/4 |
| 2-1/4 | 11 | .120 | 2.010 | 1/8 | 1/4 |
| 2-1/4 | 10 | .134 | 1.982 | 1/8 | 1/4 |
| 2-3/8 | 16 | .065 | 2.245 | 1/8 | 1/4 |
| 2-3/8 | 13 | .095 | 2.185 | 1/8 | 1/4 |
| 2-3/8 | 11 | .120 | 2.135 | 1/8 | 1/4 |
| 2.375 | 2 Pipe | .154 | 2.067 | 1/8 | 1/4 |
| 2-1/2 | 2-1/2 Nolu | .154 | 2.192 | 1/8 | 1/4 |
| 2-1/2 | 18 | .049 | 2.402 | 1/8 | 1/4 |
| 2-1/2 | 16 | .065 | 2.370 | 1/8 | 1/4 |
| 2-1/2 | 14 | .083 | 2.334 | 1/8 | 1/4 |
| 2-1/2 | 13 | .095 | 2.310 | 1/8 | 1/4 |
| 2-1/2 | 11 | .120 | 2.260 | 1/8 | 1/4 |
| 2-1/2 | 10 | .134 | 2.232 | 1/8 | 1/4 |
| 2-3/4 | 16 | .065 | 2.620 | 1/8 | 1/4 |
| 2-3/4 | 13 | .095 | 2.560 | 1/8 | 1/4 |
| 2-3/4 | 11 | .120 | 2.510 | 1/8 | 1/4 |
| 2.875 | 2-1/2 Pipe | .203 | 2.469 | 1/8 | 1/4 |
| 3 | 18 | .049 | 2.902 | 1/8 | 1/4 |
| 3 | 16 | .065 | 2.870 | 1/8 | 1/4 |
| 3 | 14 | .083 | 2.834 | 1/8 | 1/4 |
| 3 | 13 | .095 | 2.810 | 1/8 | 1/4 |
| 3 | 11 | .120 | 2.760 | 1/8 | 1/4 |

| Part Number | C |
|-------------|-------|
| HL-174 | 1-7/8 |
| HL-204 | 1-7/8 |
| HL-220 | 1-7/8 |
| HL-233 | 1-3/4 |
| HL-234 | 1-3/4 |
| HL-255 | 1-3/4 |
| HL-270 | 1-3/4 |

Molded Roller End Bearings



Ideal for dry conditions and lighter loads!



Nyla-Ride™

Nyla-Ride™ is a new lubricated nylon material that combines the strength properties of nylon with a lower coefficient of friction.

NT, NB

ABS End Cap with Nyla-Ride™ Bearing Insert

Used to fill the ends of the larger PVC tube sizes so that a small inexpensive flanged bearing can be used. Parts are available for five standard PVC conveyor roller sizes from 1.90" to 2-7/8" dia.

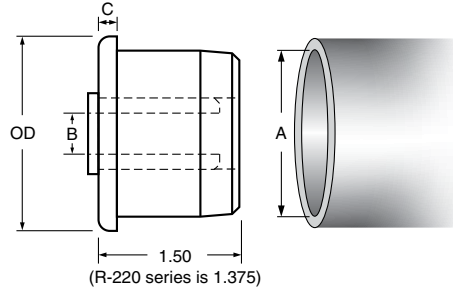
Replace the insert and reuse the roller!

1/2" .50

1/4" pipe .54

5/8 .625

Shaft sizes available



Thru Bore

| Part Number | Roller OD | A Tube ID | B Bore Dia. | C | Tube Name |
|-------------|-----------|--------------|----------------|-----|---------------------|
| NT4-R220 | 1.9 | 1.61 | 1/2 | .19 | 1-1/2" sch. 40 pipe |
| NT4.5-R220 | 1.9 | 1.61 | 9/16 | .19 | 1-1/2" sch. 40 pipe |
| NT5-R220 | 1.9 | 1.61 | 5/8 | .19 | 1-1/2" sch. 40 pipe |
| NT4-R221 | 1.9 | 1.5 | 1/2 | .16 | 1-1/2" sch. 80 pipe |
| NT5-R221 | 1.9 | 1.5 | 5/8 | .16 | 1-1/2" sch. 80 pipe |
| NT5-R250 | 2-1/4 | 1.94 | 5/8 | .19 | 2-1/4" exact pipe |
| NT4-R270 | 2-3/8 | 2.07 | 1/2 | .19 | 2" sch. 40 pipe |
| NT4.5-R270 | 2-3/8 | 2.07 | 9/16 | .19 | 2" sch. 40 pipe |
| NT5-R270 | 2-3/8 | 2.07 | 5/8 | .19 | 2" sch. 40 pipe |
| NT4-R271 | 2-3/8 | 1.94 | 1/2 | .16 | 2" sch. 80 pipe |
| NT4.5-R271 | 2-3/8 | 1.94 | 9/16 | .16 | 2" sch. 80 pipe |
| NT5-R271 | 2-3/8 | 1.94 | 5/8 | .16 | 2" sch. 80 pipe |
| NT4-R280 | 2-1/2 | 2.20 | 1/2 | .19 | 2-1/4" sch. 40 pipe |
| NT5-R280 | 2-1/2 | 2.20 | 5/8 | .19 | 2-1/4" sch. 40 pipe |
| NT4-R320 | 2-7/8 | 2.47 | 1/2 | .19 | 2-1/2" sch. 40 pipe |
| NT4.5-R320 | 2-7/8 | 2.47 | 9/16 | .19 | 2-1/2" sch. 40 pipe |
| NT5-R320 | 2-7/8 | 2.47 | 5/8 | .19 | 2-1/2" sch. 40 pipe |

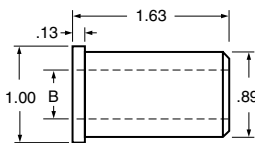
Blind Bore

| Part Number | Roller OD | A Tube ID | B Bore Dia. | C | Tube Name |
|-------------|-----------|--------------|----------------|-----|---------------------|
| NB4-R220 | 1.9 | 1.61 | 1/2 | .19 | 1-1/2" sch. 40 pipe |
| NB4.5-R220 | 1.9 | 1.61 | 9/16 | .19 | 1-1/2" sch. 40 pipe |
| NB5-R220 | 1.9 | 1.61 | 5/8 | .19 | 1-1/2" sch. 40 pipe |
| NB4-R221 | 1.9 | 1.5 | 1/2 | .16 | 1-1/2" sch. 80 pipe |
| NB5-R221 | 1.9 | 1.5 | 5/8 | .16 | 1-1/2" sch. 80 pipe |
| NB4-R270 | 2-3/8 | 2.07 | 1/2 | .19 | 2" sch. 40 pipe |
| NB4.5-R270 | 2-3/8 | 2.07 | 9/16 | .19 | 2" sch. 40 pipe |
| NB4-R271 | 2-3/8 | 1.94 | 1/2 | .16 | 2" sch. 80 pipe |
| NB5-R271 | 2-3/8 | 1.94 | 5/8 | .16 | 2" sch. 80 pipe |
| NB4-R280 | 2-1/2 | 2.20 | 1/2 | .19 | 2-1/4" sch. 40 pipe |
| NB4-R320 | 2-7/8 | 2.47 | 1/2 | .19 | 2-1/2" sch. 40 pipe |
| NB5-R320 | 2-7/8 | 2.47 | 5/8 | .19 | 2-1/2" sch. 40 pipe |

Color Coded inserts for easy bore size identification!

Nyla-Ride™ Bearing Insert

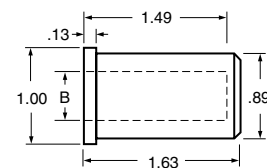
Through bore. Used with ABS end cap.



| Part Number | Color | B (Bore Dia.) |
|-------------|--------|---------------|
| NT-4 | Orange | 1/2 |
| NT-4.5 | Green | 9/16 |
| NT-5 | Blue | 5/8 |

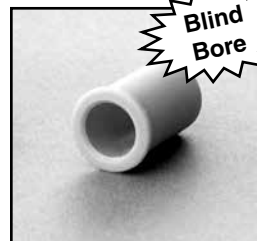
Nyla-Ride™ Bearing Insert

Blind bore. Used with ABS end cap.



| Part Number | Color | B (Bore Dia.) |
|-------------|--------|---------------|
| NB-4 | Orange | 1/2 |
| NB-4.5 | Green | 9/16 |
| NB-5 | Blue | 5/8 |

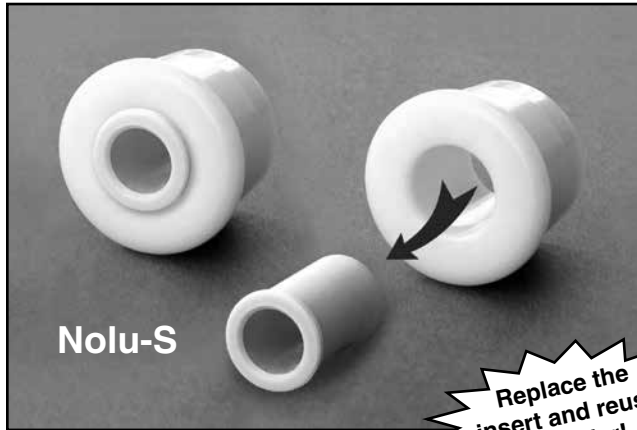
Blind Bore



Conveyor Rollers



Premium low friction bearing material!



Nolu-S

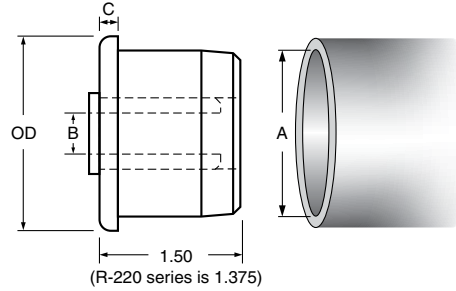
Replace the insert and reuse the roller!

ST, SB

Friction Reducing Nolu-S!!

ABS End Cap with Nolu-S Bearing Insert

Used to fill the ends of the larger PVC tube sizes so that a small inexpensive flanged bearing can be used. Parts are available for five standard PVC conveyor roller sizes from 1.90" to 2-7/8" dia.



1/2" .50

1/4" pipe .54

5/8 .625

Shaft sizes available

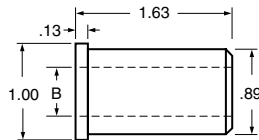
Thru Bore

| Part Number | Roller OD | A Tube ID | B Bore Dia. | C | Tube Name |
|-------------|-----------|-----------|-------------|-----|---------------------|
| ST4-R220 | 1.9 | 1.61 | 1/2 | .19 | 1-1/2" sch. 40 pipe |
| ST4.5-R220 | 1.9 | 1.61 | 9/16 | .19 | 1-1/2" sch. 40 pipe |
| ST5-R220 | 1.9 | 1.61 | 5/8 | .19 | 1-1/2" sch. 40 pipe |
| ST4-R221 | 1.9 | 1.5 | 1/2 | .16 | 1-1/2" sch. 80 pipe |
| ST4.5-R221 | 1.9 | 1.5 | 9/16 | .16 | 1-1/2" sch. 80 pipe |
| ST5-R221 | 1.9 | 1.5 | 5/8 | .16 | 1-1/2" sch. 80 pipe |
| ST4-R250 | 2-1/4 | 1.94 | 1/2 | .19 | 2-1/4" exact pipe |
| ST5-R250 | 2-1/4 | 1.94 | 5/8 | .19 | 2-1/4" exact pipe |
| ST4-R270 | 2-3/8 | 2.07 | 1/2 | .19 | 2" sch. 40 pipe |
| ST4.5-R270 | 2-3/8 | 2.07 | 9/16 | .19 | 2" sch. 40 pipe |
| ST5-R270 | 2-3/8 | 2.07 | 5/8 | .19 | 2" sch. 40 pipe |
| ST5-R271 | 2-3/8 | 1.94 | 5/8 | .16 | 2" sch. 80 pipe |
| ST5-R280 | 2-1/2 | 2.20 | 5/8 | .19 | 2-1/4" sch. 40 pipe |
| ST4-R320 | 2-7/8 | 2.47 | 1/2 | .19 | 2-1/2" sch. 40 pipe |
| ST5-R320 | 2-7/8 | 2.47 | 5/8 | .19 | 2-1/2" sch. 40 pipe |

Blind Bore

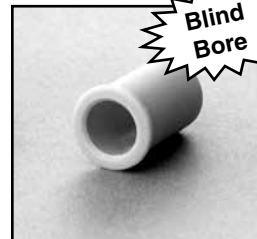
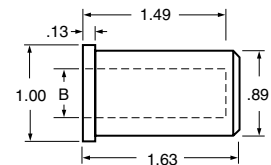
| Part Number | Roller OD | A Tube ID | B Bore Dia. | C | Tube Name |
|-------------|-----------|-----------|-------------|-----|---------------------|
| SB4-R220 | 1.9 | 1.61 | 1/2 | .19 | 1-1/2" sch. 40 pipe |
| SB4.5-R220 | 1.9 | 1.61 | 9/16 | .19 | 1-1/2" sch. 40 pipe |
| SB5-R220 | 1.9 | 1.61 | 5/8 | .19 | 1-1/2" sch. 40 pipe |
| SB4-R221 | 1.9 | 1.5 | 1/2 | .16 | 1-1/2" sch. 80 pipe |
| SB4-R250 | 2-1/4 | 1.94 | 1/2 | .19 | 2-1/4" exact pipe |
| SB4-R270 | 2-3/8 | 2.07 | 1/2 | .19 | 2" sch. 40 pipe |
| SB4-R271 | 2-3/8 | 1.94 | 1/2 | .16 | 2" sch. 80 pipe |
| SB4.5-R271 | 2-3/8 | 1.94 | 9/16 | .16 | 2" sch. 80 pipe |
| SB4-R320 | 2-7/8 | 2.47 | 1/2 | .19 | 2-1/2" sch. 40 pipe |
| SB4.5-R320 | 2-7/8 | 2.47 | 9/16 | .19 | 2-1/2" sch. 40 pipe |

Nolu-S Bearing Insert
Through bore. Used with ABS end cap.



| Part Number | B (Bore Dia.) |
|-------------|---------------|
| ST-4 | 1/2 |
| ST-4.5 | 9/16 |
| ST-5 | 5/8 |

Nolu-S Bearing Insert
Blind bore. Used with ABS end cap.



| Part Number | B (Bore Dia.) |
|-------------|---------------|
| SB-4 | 1/2 |
| SB-4.5 | 9/16 |
| SB-5 | 5/8 |

Conveyor Rollers

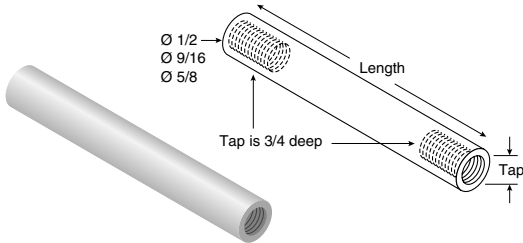
Roller Components



CR4

Round Roller Shafts

Female threads on both ends.

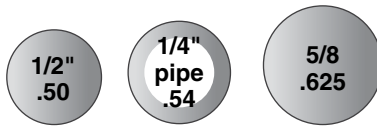


Material: 303 stainless steel.

| Ø 1/2" Part Number | Length | Tap |
|--------------------|--------|---------|
| VF-CR4-SS-0325-516 | 3.50 | 5/16-18 |
| VF-CR4-SS-0325-38 | 3.50 | 3/8-16 |
| VF-CR4-SS-0400-516 | 4.25 | 5/16-18 |
| VF-CR4-SS-0400-38 | 4.25 | 3/8-16 |
| VF-CR4-SS-0450-516 | 4.75 | 5/16-18 |
| VF-CR4-SS-0450-38 | 4.75 | 3/8-16 |
| VF-CR4-SS-0600-516 | 6.25 | 5/16-18 |
| VF-CR4-SS-0600-38 | 6.25 | 3/8-16 |
| VF-CR4-SS-0750-516 | 7.75 | 5/16-18 |
| VF-CR4-SS-0750-38 | 7.75 | 3/8-16 |

| Ø 9/16" Part Number | Length | Tap |
|---------------------|--------|--------|
| VF-CR4.5-SS-0450-38 | 4.75 | 3/8-16 |
| VF-CR4.5-SS-0600-38 | 6.25 | 3/8-16 |

| Ø 5/8" Part Number | Length | Tap |
|--------------------|--------|--------|
| VF-CR5-SS-0325-38 | 3.50 | 3/8-16 |
| VF-CR5-SS-0400-38 | 4.25 | 3/8-16 |
| VF-CR5-SS-0450-38 | 4.75 | 3/8-16 |
| VF-CR5-SS-0600-38 | 6.25 | 3/8-16 |
| VF-CR5-SS-0750-38 | 7.75 | 3/8-16 |

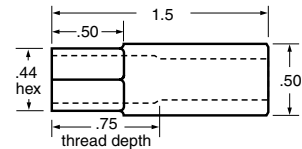


Shaft sizes available

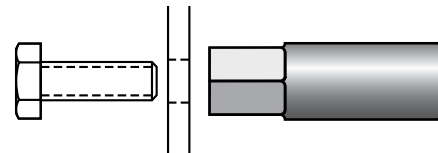
CRP

Stainless Steel Roller Stub Shaft

For use in blind hole bearings. Stub shaft is 1/2 inch dia. and an 1-1/2 inch in length. A 7/16 inch hex section is provided on the outside portion so that an open end wrench may be used to tighten the pin against the conveyor frame using a 5/16 inch UNC bolt.



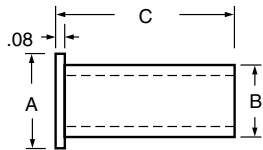
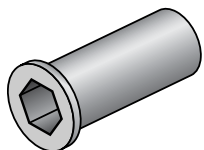
CRP-0824SS



HXA

Steel Hex Shaft Adapters

Used to slip over hex shafting so that the outside diameter of the adapter becomes a journal surface on which the bearing in the roller can rotate. Parts are available in both carbon and 316 stainless steel.

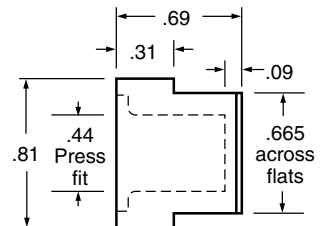
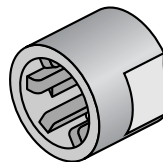


| Part Number | Material | Hex Shaft | A Dia. | B Dia. | C Length |
|-------------|-----------------|-----------|--------|--------|----------|
| HXA-522SS | stainless steel | 5/16" | 3/4" | 0.565 | 1-3/8" |
| HXA-722 | steel | 7/16" | 13/16" | 0.628 | 1-3/8" |
| HXA-732 | steel | 7/16" | 13/16" | 0.628 | 2" |
| HXA-732SS | stainless steel | 7/16" | 13/16" | 0.628 | 2" |
| HXA-1132 | steel | 11/16" | 1-1/8" | 0.94 | 2" |
| HXA-1132SS | stainless steel | 11/16" | 1-1/8" | 0.94 | 2" |

FF-166

ABS Shaft Caps

Used on the ends of 7/16" hex or round shafts. They provide a simple method of retaining the shaft in the roller assembly. Primarily they are designed to offer a means of mounting the roller in the side frames, in a way that metal to metal contact can be avoided. With an 11/16" wide, open ended slot in the side frame, wear and noise can be eliminated.



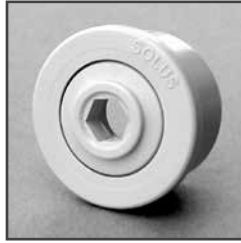
Conveyor Rollers



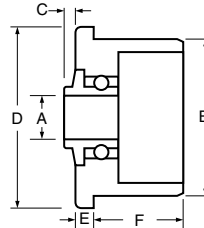
NBB

Plastic Ball Bearings

Designed for use with Nolu PVC tubing. Standard bearings use high performance Acetal Races and 420 stainless alloy balls. The same bearings are available with Polypropylene races and 316 stainless steel balls for use in highly corrosive environments such as battery manufacturing plants. However, custom made bearings can be designed to meet your needs.



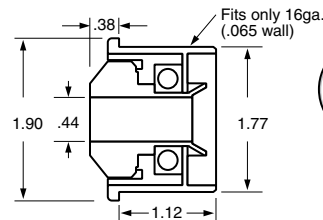
| Part Number | Material | B Dia. | C | D Dia. | E | F | A Shaft |
|-------------|---------------|--------|------|--------|------|------|------------|
| NBB-110 | Acetal | .63 | .125 | .81 | .06 | .625 | 1/4" dia. |
| NBB-130 | Acetal | .83 | .10 | 1.06 | .12 | .625 | 5/16" hex |
| NBB-145 | Acetal | 1.03 | .125 | 1.18 | .118 | .729 | 5/16" dia. |
| NBB-150 | Acetal | 1.06 | .125 | 1.31 | .187 | .750 | 5/16" hex |
| NBB-220 | Acetal | 1.62 | .12 | 1.90 | .185 | .935 | 7/16" hex |
| SPB-220 | Polypropylene | 1.62 | .12 | 1.90 | .185 | .935 | 7/16" hex |



LSB

Labyrinth Sealed Ball Bearings

Designed for use with carbon or stainless steel tubing. These bearing assemblies are created using a unique 3 piece housing which makes it extremely difficult for contaminants to reach the core bearing. These roll end bearings can be ordered with a variety of bearing inserts.

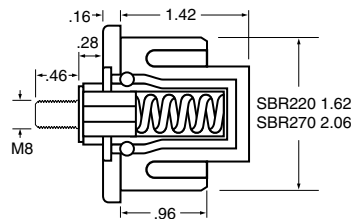


| Part Number | Description | Shaft Size |
|---------------|--|------------|
| 222LSB-224-02 | HDPE housing with carbon steel double shielded bearing insert | 7/16 |
| 222LSB-224-03 | HDPE housing with carbon steel double rubber sealed bearing insert | 7/16 |

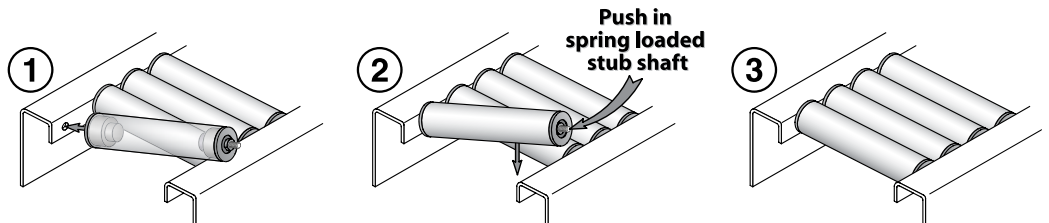
SBR

Stub Shaft Ball Bearings

Designed for use in light duty gravity applications. The stainless steel stub shafts are spring loaded to ease the assembly into a frame which has been threaded to accept the M8 roller shaft threads. Acetal housing.



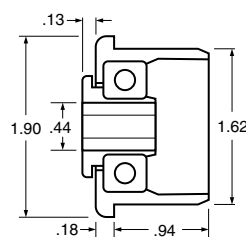
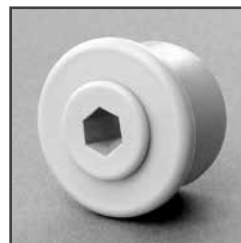
| Part Number | OD |
|-------------|-------|
| SBR-220 | 1.90" |
| SBR-270 | 2.37" |



HPR

High Performance Ball Bearings

Designed for use with Nolu PVC tubing. These bearings are fitted with a special polypropylene housing assembly incorporating a high performance, shielded 6000 series ball bearing. This bearing is ideal for continuous use in driven systems and the precision bearing can also be used in gravity applications.



| Part Number | Shaft Size |
|-------------|------------|
| HPR-220 | 7/16" |

Conveyor Rollers

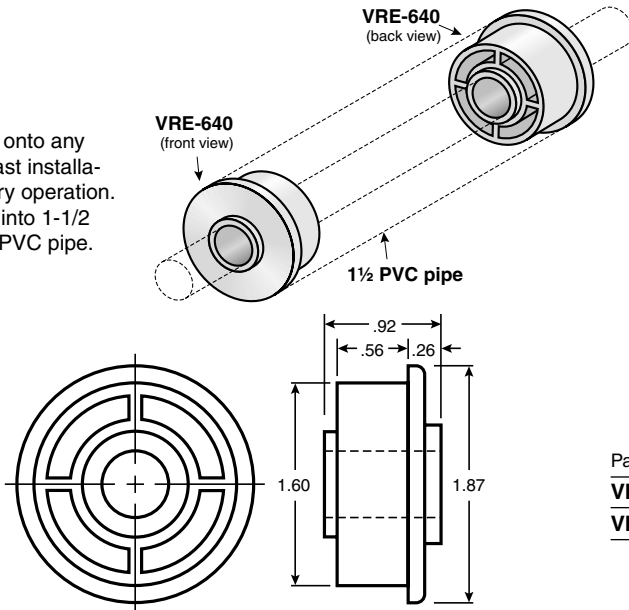


Roller End Bearings

VRE

Roller Ends

Easily assembled onto any lengths of pipe. Fast installation. Quiet, sanitary operation. Glue fit assembly into 1-1/2 inch schedule 40 PVC pipe. Thru shaft bore.

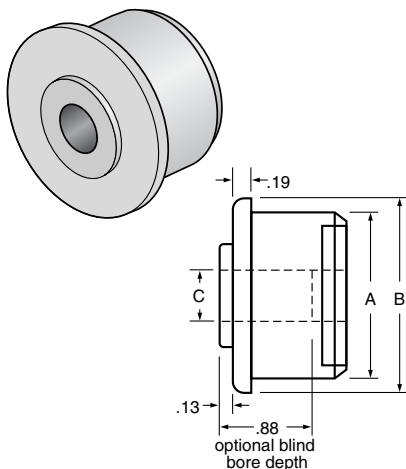


| Part Number | Shaft | Tube Name |
|-----------------|-------|-------------------------|
| VRE-640-1540-12 | 1/2 | 1-1/2" sch. 40 PVC pipe |
| VRE-640-1540-58 | 5/8 | 1-1/2" sch. 40 PVC pipe |

NRB

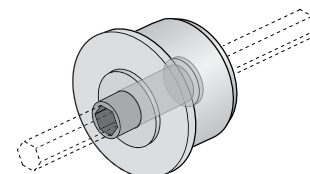
Acetal End Bearings

Inexpensive, injection molded conveyor roll bearings designed for light duty applications. However, with a 7/16" hex shaft, a low cost, higher performance roller can be produced by combining the Acetal bearing with a Nolu-S Hex Adapter. These Acetal bearings are available with various bore sizes and fit our most popular PVC tubing sizes.



| Part Number | C Dia. | A Dia. | B Dia. | Tube Name |
|-------------|--------|--------|--------|---------------------|
| NRB-220/5 | 5/16 | 1.62 | 1.90 | 1-1/2" sch. 40 pipe |
| NRB-220/8 | 1/2 | 1.62 | 1.90 | 1-1/2" sch. 40 pipe |
| NRB-220/8B* | 1/2 | 1.62 | 1.90 | 1-1/2" sch. 40 pipe |
| NRB-220/9 | 9/16 | 1.62 | 1.90 | 1-1/2" sch. 40 pipe |
| NRB-220/10 | 5/8 | 1.62 | 1.90 | 1-1/2" sch. 40 pipe |
| NRB-270/8 | 1/2 | 2.09 | 2.37 | 2" sch. 40 pipe |
| NRB-270/8B* | 1/2 | 2.09 | 2.37 | 2" sch. 40 pipe |
| NRB-270/10 | 5/8 | 2.09 | 2.37 | 2" sch. 40 pipe |

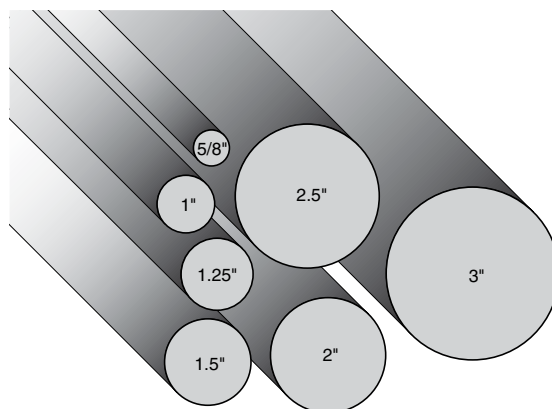
*Blind bore



Nolu-S Rod

Nolu-S Rod

Nolu-S material and its outstanding characteristics; low friction, higher speed capability, self lubrication, is available in bulk extruded rod form. These rods are ideal for machining various types of plastic components including roller end bearings.



| Part Number | Diameter (in.) | Length (ft.) |
|-------------|----------------|--------------|
| 012R10A-5 | 5/8 | 5 |
| 012R16A-5 | 1 | 5 |
| 012R20A-5 | 1-1/4 | 5 |
| 012R24A-5 | 1-1/2 | 5 |
| 012R32A-5 | 2 | 5 |
| 012R40A-5 | 2-1/2 | 5 |
| 012R48A-5 | 3 | 5 |
| 012R10A-10 | 5/8 | 10 |
| 012R16A-10 | 1 | 10 |
| 012R20A-10 | 1-1/4 | 10 |
| 012R24A-10 | 1-1/2 | 10 |
| 012R32A-10 | 2 | 10 |
| 012R40A-10 | 2-1/2 | 10 |
| 012R48A-10 | 3 | 10 |

Conveyor Rollers



Sleeve Bearings or Ball Bearings?

Bearing selection is the key to improved conveyor roller performance and the elimination of downtime. Bearing performance depends not only on the use of an engineered bearing material, but also on the material selected for the mating surface.

Sleeve Bearing Types

Nolu-S Plastic Sleeve Bearings

Nolu-S is a proprietary alloy of food grade lubricants combined with UHMW. This creates a material which retains most of the properties of UHMW while significantly reducing friction. Nolu-S advantages include protection of expensive mating surfaces, lower noise and FDA and USDA approved ingredients. These bearings are used in the highest performance units produced by System Plast.

Nyla-Ride™ Bearing Inserts

Nyla-Ride™ is a new lubricated nylon material that combines the strength properties of nylon with a lower coefficient of friction. Color coding easily identifies the bore size.

UHMW Plastic Sleeve Bearings

The most abrasion resistant plastic ever developed. At slow speeds these bearings provide wear resistance where there is a high concentration of abrasive particles. However, as the conveyor speed increases, Nolu-S bearings must be used to reduce friction and wear.

Nolu Acetal Plastic Bearing

Inexpensive, injection molded conveyor roll bearings designed for light duty applications. However, with a 7/16" hex shaft, a low cost, higher performance roller can be produced by combining the Acetal bearing with a Nolu-S Hex Adapter. These Acetal bearings are available with various bore sizes and fit our most popular PVC tubing sizes.

Ball Bearing Types

Nolu Plastic Ball Bearings

Designed for use with the Nolu PVC tubing. Standard bearings use high performance Acetal Races and 420 stainless alloy balls. The same bearings are available with Polypropylene races and 316 stainless steel balls for use in highly corrosive environments such as battery manufacturing plants. However, custom made bearings can be designed to meet your needs.

LSB Ball Bearing

Designed for use with 1.9 diameter, 16 gauge tubing. This revolutionary three piece housing design makes it increasingly difficult for abrasives and contaminants to reach the bearing insert. A variety of 6000 Series inserts can be provided.

HPR-220 Nolu High Performance Ball Bearings

A special high performance ball bearing assembly designed to be used in many demanding applications. This bearing assembly consists of a high performance 6000 Series shielded ball bearing encased in a reinforced Polypropylene housing. This configuration provides the lowest coefficient of friction, excellent load capacity, and high speed capabilities. It is available to fit our most popular PVC size and comes standard with a 7/16" hex bore.

Roller Tubes

High Impact PVC Tube

Available in nine standard diameters ranging from 13/16" to 2-7/8" dia. The recommended load capacity at room temperature is shown in chart #1, the service temperature range being between -10°F and +140°F.

Steel Reinforcing Tube

Used to increase the stiffness of the above PVC tubing by a factor of 10. This tube is made of carbon steel and therefore must be encapsulated by using blind hole bearings if corrosion is anticipated. The recommended capacity of our standard PVC rollers should never be exceeded (max. 200lbs./roller).

Roller Components

ABS Plastic End Plug

Used to fill the ends of the larger PVC tube sizes so that a small inexpensive flanged bearing can be used. Parts are available for five standard PVC conveyor roller sizes from 1.90" to 2-7/8" dia.

Steel Hex Adapters

Used to slip over hex shafting so that the outside diameter of the adapter becomes a journal surface on which the bearing in the roller can rotate. Parts are available for 5/16" hex, 7/16" hex and 11/16" hex assemblies in both carbon and 316 stainless steel.

Nolu-S Plastic Hex Adapters

Also used to slip over 7/16" hex shafting. They are primarily designed for use with Nolu Acetal plastic bearings. In use, an oil film is generated at the bearing surface which reduces friction and wear. The service temperature range is normally between -10°F and +140° F. Steel hex adapters should be used where there is a high concentration of abrasive particles.

Stainless Steel Roller Stub Shafts

Available for use in blind hole bearings. Our standard parts are Ø1/2" and are available in two lengths, 3/4" and 1-1/2". A 7/16" hex section is provided on the outside portion so that a "C" wrench may be used to tighten the pin against the conveyor frame using a 5/16" UNC bolt.

ABS Plastic Shaft Caps

Used on the ends of 7/16" hex or round shafts. They provide a simple method of retaining the shaft in the roller assembly. Primarily they are designed to offer a means of mounting the roller in the side frames in a way that metal to metal contact can be avoided. With an 11/16" wide, open ended slot in the side frame, noise and frame wear can be eliminated.

UHMW Sprockets

Available to custom fit our standard rollers to a driven system. These UHMW sprockets are problem solvers in dirty or corrosive environments. They extend the life of the chain and are much quieter.



Roller Capacity

A roller should be selected which will provide maximum rigidity within normal design limitations. Choose the largest diameter possible and keep the length to a minimum. This will minimize deflection in the roller and transmit more even loading to the bearings. However, many bearing failures can be attributed, in part, to design loads which were based solely on the strength

of the tube stock without regard for bearing capacity. The recommended maximum roller load capacity is the lower of the two readings from Chart #1 and Chart #2. Nolu produces a steel reinforced version of these rollers which will increase the capacity from Chart #1 by a factor of 10. Nolu PVC rollers can be designed to carry up to 200 lbs.

Chart #1

This chart shows the load capacity of our High-Impact PVC Tubing

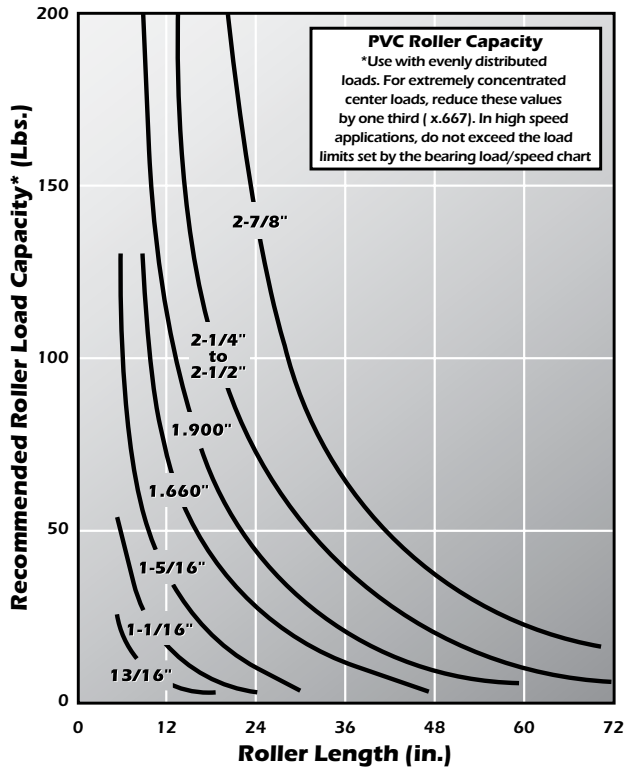
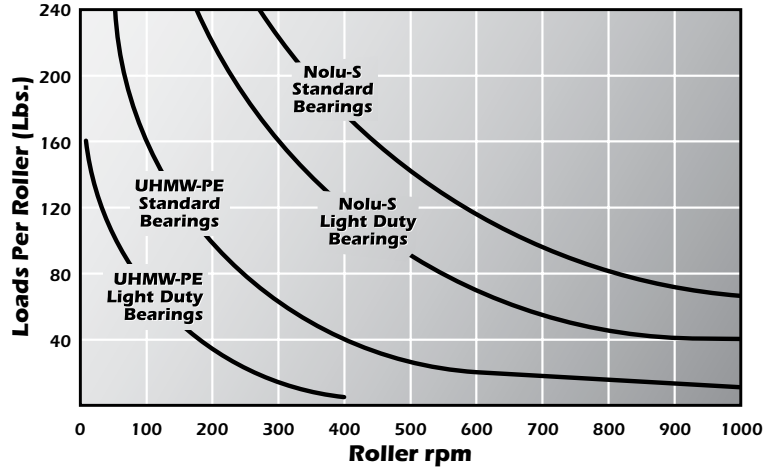


Chart #2

This chart identifies the performance limitations of our high performance sleeve bearings



Bearing Service Life

| Surface Speed (feet per minute) | Radial Load (lbs. per roller) | | | Static Load Capacity |
|------------------------------------|-------------------------------|--------------|--------------|-------------------------|
| | 5 | 10 | 15 | |
| 30 | 58,000 hours | 29,000 hours | 23,000 hours | 45 lbs. |
| 60 | 29,000 hours | 14,000 hours | 11,000 hours | 45 lbs. |
| 100 | 17,000 hours | 8,000 hours | 7,000 hours | 45 lbs. |

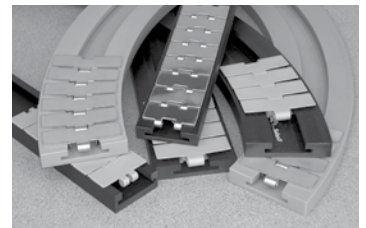
Table #1

Estimated average bearing life for Nolu plastic ball bearings in a clean environment. Bearing life will be reduced by impact loads and by exposure to contamination. With longer rollers the load capacity may be limited to the rigidity of the PVC tube, see chart #1 above.

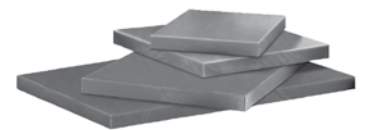


SYSTEM PLAST™

Custom Plastics



Premium Plastic
Fabrication Page **416**



Engineered Plastic
Materials Page **418**

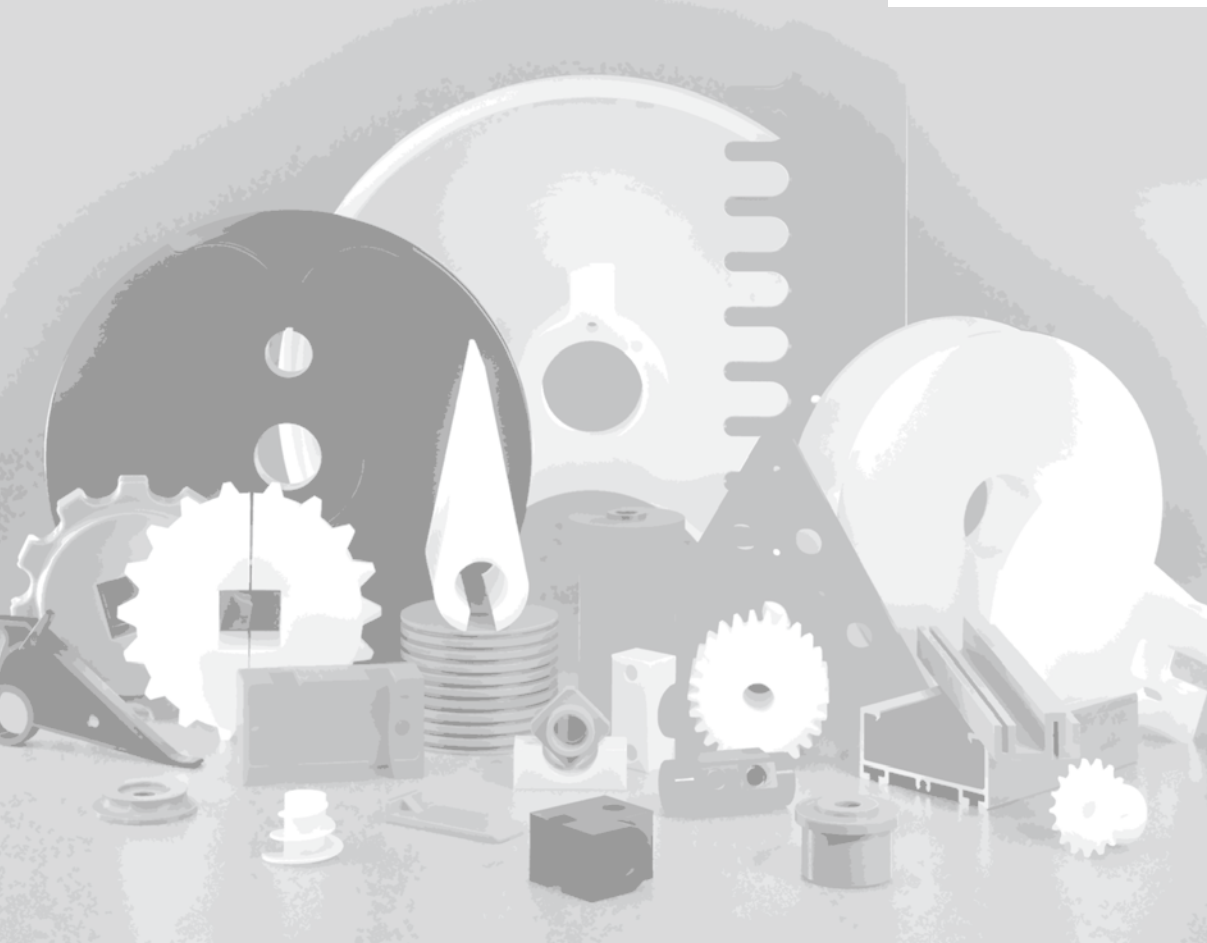
MACHINED PLASTICS & TECHNICAL INFORMATION

Section 10

Material Physical
Properties Page **421**

Chemical
Resistance Page **422**

Index Page **425**



Plastic Design and Manufacturing



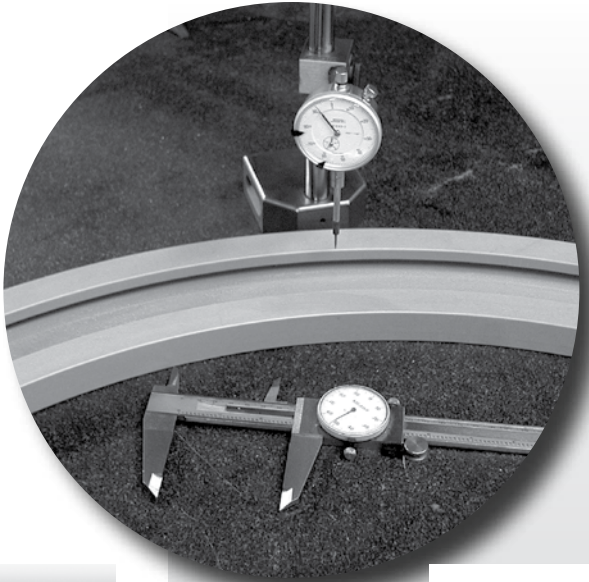
We put our leadership on the line for you.

When you're looking for a high quality, wear resistant plastic product, look to System Plast™. Our full line of products combines stainless steel, aluminum and engineered plastics to achieve reliability, superior performance and a compactness of design.

As one of the world's leading processors of precision engineered plastics, System Plast has a tradition of innovation and quality. Our components have become the standard of quality and performance in a wide range of industries, including conveyor manufacturing, materials handling, power transmission, packaging, and many more.



In addition to manufacturing excellence, System Plast has earned a reputation for out-standing customer service, offering a full range of design, custom fabrication, and support services. We look forward to hearing from you.



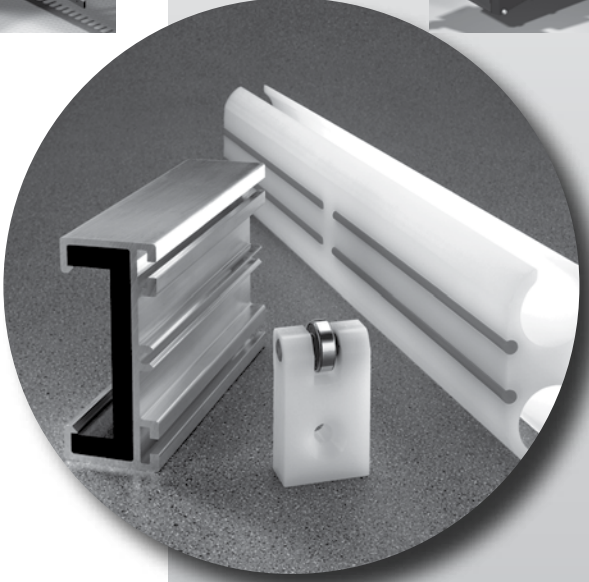
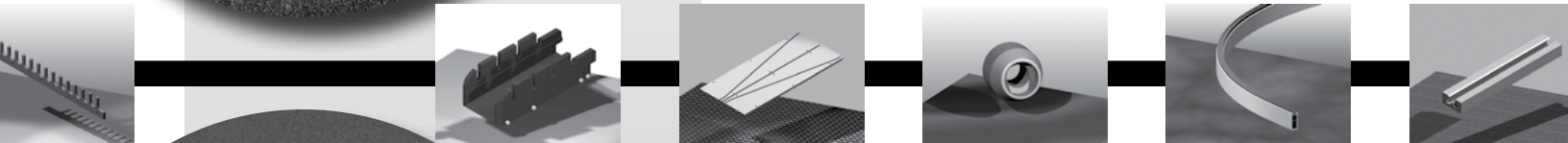
Engineering:

The department of infinite possibilities.

Customers around the world know that the shortest distance between a problem and a solution is to call the System Plast™ Engineering Department. We have the knowledge and experience to take your “wish list” and turn it into an effective product design. One that will solve your problem in the most effective and cost-efficient way possible.

After all, this is the same engineering department that holds patents for such innovations as Nolu-S, an internally-lubricated UHMW. And, it is the originator of many components that have now become industry standards.

System Plast engineers use the latest in design technologies. These advanced systems allow us to develop and modify designs quickly and cost-efficiently. And, they enable our engineers to quickly transmit designs to and from customers.



Production:

Achieving precision.

It's often very easy to tell System Plast parts from competitive products. Because our parts are smooth, well-finished, and free of burrs and seam lines. This is a reflection of the intense devotion to detail that marks every aspect of our production capabilities.

System Plast operates some of the industry's most advanced and versatile production facilities. A unique combination of computer controlled machinery and experienced operators provide the ability to turn out virtually any component, in any quantity.

Our precision fabrication capabilities include:

- Turning
- Milling
- Shaping and Sawing
- Planning
- Punch Press
- Drill Press
- Hot Stamping
- Roll Forming
- Tool & Die Shop
- Reverse Engineering

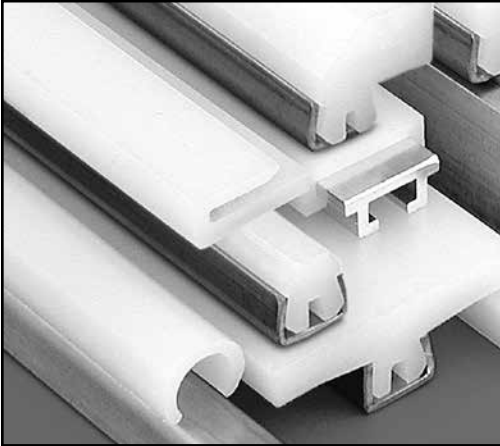


Quality and Service:

Your expectation, our standard.

Customers expect the best from System Plast. We're committed to delivering nothing less. In every phase of our operation, from design, to production, to quality assurance, we are committed to complying with your stringent quality standards.

Our quality processes begin with complete training of all personnel in the principles of total quality manufacturing techniques. Because the best time to control quality is at the very start. Then, we verify quality at every step, through in-process inspections and bar coding, followed by final inspections by full-time quality control specialists.



Material name: **UHMW-PE Natural** white

This bright white, ultra high molecular weight material is the choice for a wide variety of applications. The low friction characteristics of UHMW allow containers to move at high speed with minimum drag, container damage, and noise. The result is a material of higher wear resistance, which is color stable, and of uniform consistency. The value added material meets FDA (Food and Drug Administration) specification. CFR 177. 1520.1

Features:

- Extruded or machined
- Wide selection of shapes
- Extended coil lengths of various shapes available
- Smooth surface

Benefits:

- Low friction
- High wear resistance
- Higher temperature resistance



Material name: **Nolu-BR** black, **Nolu-GR** green

Nolu-BR is a proprietary blend of UHMW resins that is popular for use in conveyor chain tracks. Nolu-BR or GR maintains excellent chemical and corrosion resistance, while providing low friction, superior rigidity, and resistance to wear.

Features:

- Machined
- Popular conveyor chain solid track material

Benefits:

- High wear and abrasion resistance
- Economic material
- Chemical resistant



Material name: **Nolu-S** grey

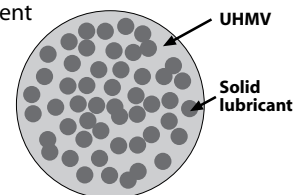
Nolu-S is a blend of UHMW and other dry lubricants that maintain good wear characteristics while significantly reducing coefficients of friction. Its unique self-lubricating properties make it ideal for applications requiring reduced friction, noise reduction, and higher dry-running speeds.

Features:

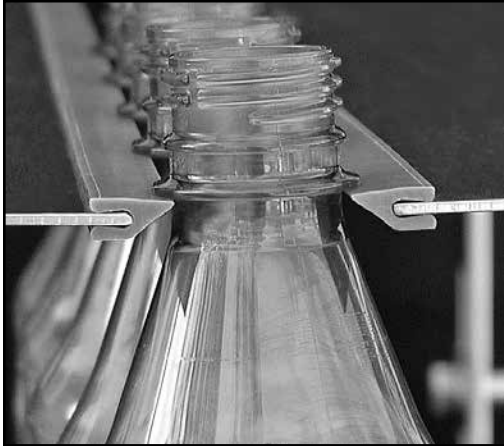
- Extruded or machined
- Very low coefficient of friction - promotes material flow
- High-impact strength
- Chemical resistant with minimal moisture absorption
- FDA & USDA approved ingredients
- Noise suppressant
- Easy to machine – most general power tools are sufficient

Benefits:

- Extends the life of mating surfaces
- Lowers mating surface scratching or damage
- Reduces energy consumption
- Minimizes product pulsation on conveyors
- Low noise operation



Engineered Plastic Materials



Material name: **Nolu-SR** dark grey

Nolu-SR features a much harder, longer wearing composition which is used in most high speed / high load applications. Nolu-SR helps guide PET containers in high speed, air conveying applications. It is the material of choice, proven to increase throughput, reduces jam ups and extend product life. Nolu-SR chain tracks offer the ultimate in UHMW wear resistance combined with low friction properties. Nolu-SR, in specific applications, is used as a superior alternative to Nylatron.*

Features:

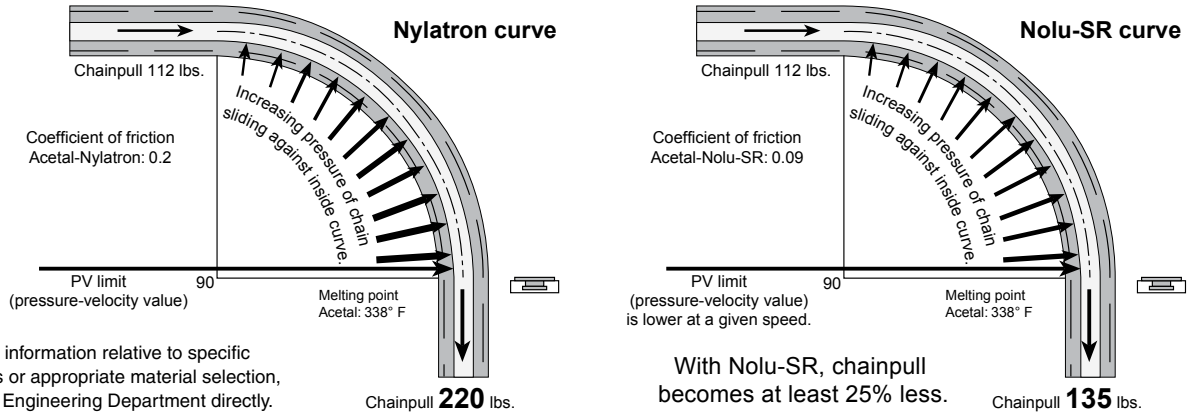
- Extruded or machined
- Superior wear resistance – greater than standard virgin or repro material
- Low coefficient of friction – promotes material flow
- High-impact strength
- Chemical resistant with minimal moisture absorption
- FDA & USDA approved ingredients
- Easy to machine – most general power tools are sufficient

Benefits:

- High wear resistance
- Lowers mating surface scratching or damage
- Reduces energy consumption
- Suitable for running dry at higher speed
- Extends the life of mating surfaces
- Reduces conveyor chain loads or damage
- Low noise operation
- Reduces product pulsation on conveyors

Nolu-SR versus Nylatron

Nolu-SR reduces chainpull and avoids problems of overload in curves.



*For further information relative to specific applications or appropriate material selection, contact our Engineering Department directly.

With Nolu-SR, chainpull becomes at least 25% less.

Important notes about Nolu-S and Nolu-SR materials:

Storage:

Nolu-S and Nolu-SR should be stored at room temperature, or between the extremes of 40° F (5° C) and 95° F (35° C). This will help prevent premature aging of the material. Products made with Nolu-S and Nolu-SR should be stored in a manner to prevent distortion or warping over time due to heavy stacking pressure.

Extruded profiles stored in coils will have the tendency to retain a certain deformation when uncoiled, therefore consistency in the profile cross section over the full length of the coil cannot be guaranteed.

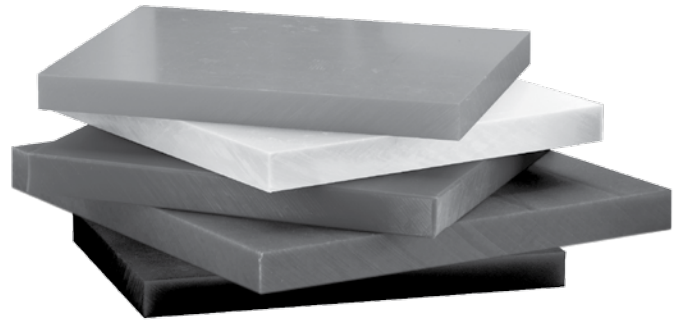
Nolu-S and Nolu-SR do not contain UV stabilizers, and should not be exposed to direct sunlight for extended periods of time.

Cleaning:

Regular cleaning intervals are recommended for Nolu-S and Nolu-SR. A solution mixture of warm water and commercially available soap-type agents with a pH value of 4.5 to 9.0 should be used. It is important to thoroughly rinse off any cleaning agent residue before reusing Nolu-S and Nolu-SR. Thermoplastics by nature have the tendency to develop some static charge over time. This causes the collection of dust particles and other ambient contaminants on thermoplastic materials. Cleaning all friction contact surfaces is recommended to obtain the best performance of Nolu-S and Nolu-SR.

| | Specific Gravity | Tensile Strength | Tensile Modulus of Elasticity, 73°F | Elongation (at break), 73°F | Flexural Modulus of Elasticity, 73°F | Shear Strength | Compressive Strength | Coefficient of Friction (Dry vs Steel) Dynamic | Hardness, Rockwell, 73°F | Coefficient of Linear Thermal Expansion * | MIN. Continuous Service Temp In Air | MAX. Continuous Service Temp In Air | Water Absorption Immersion 24 Hours |
|------------------|------------------|------------------|-------------------------------------|-----------------------------|--------------------------------------|----------------|----------------------|--|--------------------------|---|-------------------------------------|-------------------------------------|-------------------------------------|
| | MECHANICAL | | | | | | THERMAL | | | | | | |
| Units | - | psi | psi | % | psi | psi | psi | - | - | in./in./°F | °F | °F | % by wt. |
| Test Method ASTM | D792 | D638 | D638 | D638 | D790 | D732 | D695 | D1894 | D785 | D696 | - | - | D570 |
| Nolu-S | .94 | 2,800 | 90,000 | 360 | 100,000 | 2,900 | 3,000 | 0.06-0.12 | R61 | 9-12 x 10 ⁻⁵ | 40 | 140 | 0.1 |
| Nolu-SR | .94 | 3,100 | 100,000 | 150 | 110,000 | 3,100 | 3,300 | 0.06-0.13 | R63 | 9-12.5 x 10 ⁻⁵ | 40 | 140 | 0.09 |

* For a 10 ft. length of extrusion, a temperature variation of 10° F would result in a deviation from the original length of approximately 0.1 to 0.15 inches.



Sheets

Dimensions: 48 inches wide and 120 inches long.

Thickness tolerance: 0/+10%

| Thickness | UHMW-PE Natural | Nolu-BR | Nolu-GR | Nolu-S | Nolu-SR |
|-----------|--------------------|----------|----------|----------|----------|
| 3/16 | * | * | * | 012S03B1 | 273S03B1 |
| 1/4 | 011S04B1 | * | 017S04B1 | 012S04B1 | * |
| 3/8 | 011S06B1 | 081S06B1 | 017S06B1 | 012S06B1 | 273S06B1 |
| 1/2 | 011S08B1 | 081S08B1 | 017S08B1 | 012S08B1 | 273S08B1 |
| 5/8 | 011S10B1 | 081S10B1 | 017S10B1 | 012S10B1 | 273S10B1 |
| 3/4 | 011S12B1 | 081S12B1 | 017S12B1 | 012S12B1 | 273S12B1 |
| 7/8 | * | * | * | * | * |
| 1 | 011S16B1 | 081S16B1 | * | 012S16B1 | 273S16B1 |
| 1-3/16 | * | 081S19B1 | * | 012S19B1 | 273S19B1 |
| 1-1/4 | 011S20B1 | 081S20B1 | * | 012S20B1 | * |
| 1-3/8 | * | 081S22B1 | * | 012S22B1 | * |
| 1-1/2 | 011S24B1 | 081S24B1 | * | 012S24B1 | * |
| 1-3/4 | * | 081S28B1 | * | 012S28B1 | * |
| 2 | 011S32B1 | * | * | 012S32B1 | * |
| 2-1/2 | 011S40B1 | * | * | 012S40B1 | * |
| 2-3/4 | * | * | * | * | * |
| 3 | * | * | * | 012S48B1 | * |

*On request and for adequate quantities these sheets can be produced

Physical Properties for Guide Rail and Materials

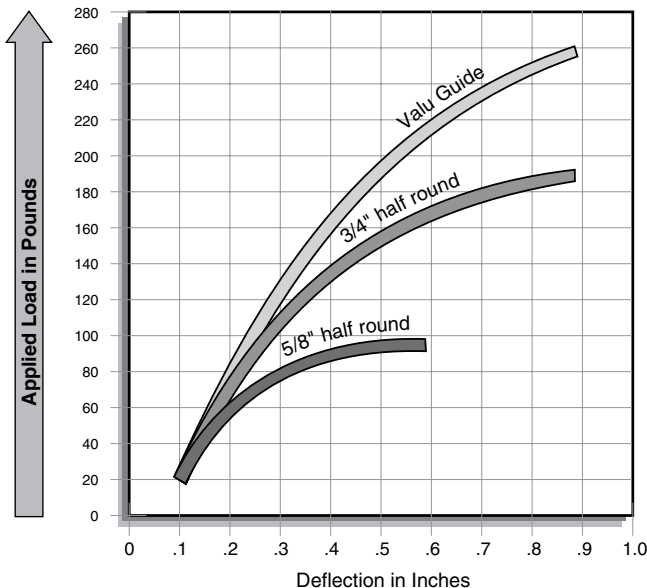
| | Specific Gravity | Tensile Strength | Tensile Modulus of Elasticity, 73°F | Elongation (at break), 73°F | Flexural Modulus of Elasticity, 73°F | Shear Strength | Compressive Strength | Coefficient of Friction (Dry vs Steel) Dynamic | Hardness, Rockwell, 73°F | Tensile Impact, 73°F | Coefficient of Linear Thermal Expansion | Melting Point | MIN. Continuous Service Temp In Air | MAX. Continuous Service Temp In Air | Water Absorption Immersion 24 Hours | Water Absorption Saturation | Effect of sunlight |
|---------------------------------|------------------|------------------|-------------------------------------|-----------------------------|--------------------------------------|----------------|----------------------|--|--------------------------|-------------------------|---|---------------|-------------------------------------|-------------------------------------|-------------------------------------|-----------------------------|--------------------|
| | MECHANICAL | | | | | | | | | | THERMAL | | | | | | |
| Units | - | psi | psi | % | psi | psi | psi | - | - | ft. lb./in ² | in./in./°F | °F | °F | °F | % by wt. | - | - |
| Test Method ASTM | D792 | D638 | D638 | D638 | D790 | D732 | D695 | D1894 | D785 | D1822 | D696 | D789 | - | - | D570 | D570 | - |
| UHMW-PE | 0.93 | 3,000 | 100,000 | 350 | 100,000 | 3,300 | 3,400 | 0.09-0.15 | R64 | 1,000 | 9-12 x 10 ⁻⁵ | 280-289 | -40 | 160-180 | 0 | - | ** |
| Nolu-BR, GR | .93 | 3,100 | 110,000 | 200 | 110,000 | 3,500 | 3,600 | 0.09-0.15 | R68 | - | 9-12 x 10 ⁻⁵ | 280-300 | -40 | 160-180 | 0 | - | ** |
| Nolu-S | .94 | 2,800 | 90,000 | 360 | 100,000 | 2,900 | 3,000 | 0.06-0.12 | R61 | - | 9-12 x 10 ⁻⁵ | - | 40* | 140 | 0.1 | - | Acceptable |
| Nolu-SR | .94 | 3,100 | 100,000 | 150 | 110,000 | 3,100 | 3,300 | 0.06-0.13 | R63 | - | 9-12 x 10 ⁻⁵ | 280-300 | 40* | 140 | 0.09 | - | Acceptable |
| Nylon 6/6 (Polyamide) | 1.14-1.18 | 10,000-14,000 | 250,000-400,000 | 20-200 | 175,000-410,000 | 9,600 | 5,000 | 0.17-0.25 | R110-120 | 90-180 | 4-6 x 10 ⁻⁵ | 482-500 | +14 | 180-200 | 0.5-1.4 | 6-8 | ** |
| Acetal | 1.41 | 8,800-11,000 | 400,000-450,000 | 30 | 375,000-450,000 | 8,000-9,000 | 15,000-16,000 | .25 | R120-122 | 90 | 4.5-6 x 10 ⁻⁵ | 335-347 | -40 | 180 | 0.22-0.25 | 0.90 | Limited |
| Teflon blend (hi-temp material) | 2.1-2.2 | 1,500-3,000 | 50,000-90,000 | 100-200 | 90,000-110,000 | - | - | 0.04-0.10 | R10-20 | 30-200 | 5.5-8 x 10 ⁻⁵ | 612-630 | -400 | 500 | 0.1 | - | ** |
| Polypropylene | 0.9 | 4,300-5,000 | 160,000-250,000 | 100-600 | 200,000 | - | 6,500 | - | R94 | - | 5.8-10.2 x 10 ⁻⁵ | 327 | -40 | 212 | 0.1 | <0.1 | ** |

* Application conditions such as variations in temperature, humidity, particulates, load, speed, etc., determine the appropriate value. Please contact the System Plast engineering department to discuss specific requirements.

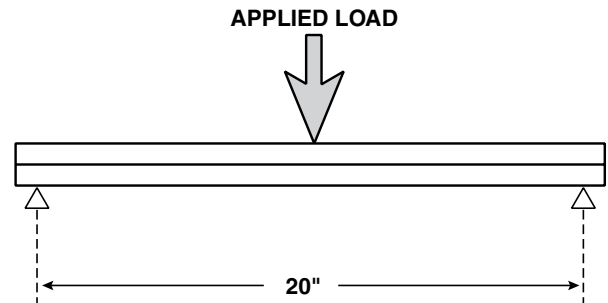
** Requires addition of UV stabilizer. Contact System Plast for further information.

Note: These are typical values intended for reference and comparison purposes only.

Valu Guide vs. half round



Valu Guide vs. half round



Moment of inertia:

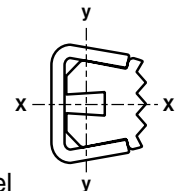
$$I_{xx} = 0.0062 \text{ in}^4$$

$$I_{yy} = 0.0027 \text{ in}^4$$

Material:

Sheath = 304 stainless steel

Insert = UHMW



Valu Guide was proven stronger in test performed by an independent testing lab in Anaheim, CA. Ref. "National Testing Standards" Report No. 12718

The information listed herein is stated to the best of our knowledge and is intended to provide a general guideline for the materials and its uses. The values given are based on laboratory testing backed with global industry experience. All properties in these tables have performed equal or better in laboratory testing. However, the data should not be considered as guaranteed specific properties. Suggested applications are provided for information only and are not specific recommendations.

Chemical Resistance

The following chemicals and fluids are known to attack or be compatible with the materials shown below as supplied by System Plast. The degree of compatibility is shown by a code letter which indicates the effect of the chemical at room temperature. We must emphasize that this chart should be used only as a general guide. If more information or clarification is required, please contact System Plast.

A = No attack, possibly slight absorption. Negligible effect on mechanical properties.
 B = Slight attack by absorption. Some swelling and a small reduction of mechanical properties likely.
 C = Moderate attack or appreciable absorption. Material will have a limited life.
 D = Material will decompose or dissolve in a short time.
 - = No data available.

Where aqueous solutions are shown the concentration as a weight percentage is given.

Aq. = Aqueous Solution
 Sat. = Saturated Aqueous Solution
 Conc. = Concentrated Aqueous Solution

This information, based on experience, is in line with accepted engineering practice and is believed to be reliable. However, we do not warrant the conformity of our materials to the listed properties or the suitability of our materials for a particular purpose.

| Chemical | Concentration % | Polyamide (Nylon) | Acetal | UHMW | PTFE (Hi-Temp) | Polypropylene | Neoprene Rubber |
|--------------------------|-----------------|-------------------|--------|------|----------------|---------------|-----------------|
| Acetaldehyde Aq. | 40 | B | A | A | A | A | C |
| Acetamide Aq. | 50 | A | - | - | A | A | A |
| Acetic Acid Aq. | 10 | C | C | A | A | A | D |
| Acetone | | A | B | A | A | A | D |
| Acrylonitrile | | A | - | - | A | A | D |
| Alcohols, Aliphatic | | A | A | A | A | A | - |
| Allyl Chloride | | C | - | A | A | A | - |
| Allyl Alcohol | | A | - | A | A | A | - |
| Aluminum Chloride | 10 | - | - | A | A | A | A |
| Aluminum Sulfate | 10 | - | - | A | A | A | A |
| Ammonia Aq. | 10 | A | D | A | A | A | A |
| Ammonia Gas | | B | - | A | A | A | A |
| Ammonium Carbonate Aq. | 10 | A | - | A | A | A | A |
| Ammonium Chloride Aq. | 10 | A | - | A | A | A | A |
| | 37 | A | - | A | A | A | - |
| Amyl Acetate | | A | - | A | A | A | D |
| Amyl Alcohol | | A | - | A | A | A | B |
| Aniline | | C | A | A | A | A | D |
| Antimony Trichloride Aq. | 10 | C | - | A | A | A | - |
| Barium Chloride Aq. | 10 | A | - | A | A | A | A |
| Barium Sulfate Aq. | 10 | A | - | A | A | A | - |
| Barium Sulfide Aq. | 10 | A | - | A | A | A | A |
| Benzaldehyde | | B | - | A | A | A | D |
| Benzene | | A | A | B | A | C | D |
| Benzene Sulfonic Acid | | D | - | A | A | C | B |
| Benzyl Alcohol | | C | - | A | A | C | B |
| Benzoic Acid Aq. | Sat. | C | - | A | A | A | D |
| Beverages Aq., Alcoholic | | B | - | A | A | A | - |
| Beverages, Carbonated | | B | - | A | A | A | - |
| Bitumen | | B | - | A | A | A | - |
| Bleaching Lye | 10 | B | - | A | A | A | - |
| | 100 | B | C | A | A | A | - |

| Chemical | Concentration % | Polyamide (Nylon) | Acetal | UHMW | PTFE (Hi-Temp) | Polypropylene | Neoprene Rubber |
|-------------------------|-----------------|-------------------|--------|------|----------------|---------------|-----------------|
| Boric Acid Aq. | 10 | A | - | A | A | A | A |
| Bromine Aq. | 30 | D | - | - | - | - | D |
| Bromine Liquid | | D | - | - | - | - | D |
| Butanol | | B | - | A | A | A | A |
| Butyl Acetate | | B | - | A | A | A | D |
| Butyl Phthalate | | A | - | A | A | A | - |
| Butylene Glycol | | A | - | A | A | A | - |
| Butylamine | | - | C | - | A | - | D |
| Butyric Acid Aq. | 20 | B | - | A | A | A | D |
| Butyric Acid | Conc | B | - | A | A | A | D |
| Butyrolactone | | A | - | - | A | - | - |
| Calcium Chloride Aq. | 10 | B | - | A | A | A | A |
| Calcium Hypochlorite | | D | - | A | A | A | B |
| Camphor | | A | A | A | A | A | - |
| Carbon Disulfide | | A | A | B | A | D | D |
| Carbon Tetrachloride | | A | A | B | A | D | D |
| Carbonic Acid | 10 | A | A | A | A | A | A |
| Carnallite Aq. | 10 | A | - | A | A | A | - |
| Chloracetic Acid Aq. | 10 | C | - | - | A | A | - |
| Chloral Hydrate | | C | - | A | A | A | - |
| Chlorine Aq. | 10 | C | - | B | A | A | D |
| Chlorine Gas | 100 | C | - | B | A | A | D |
| Chlorobenzene | | A | - | B | A | A | D |
| Chloroform | | C | - | B | A | C | D |
| Chlorosulfonic Acid Aq. | 10 | C | - | C | A | A | D |
| Chrome Alum Aq. | 10 | A | - | A | A | A | A |
| Chromic Acid Aq. | 1 | C | - | B | A | A | D |
| Citric Acid Aq. | 10 | C | A | A | A | A | A |
| | Sat. | C | - | A | A | A | - |
| Cresols | | D | - | A | A | A | - |
| Cresylic Acid | | D | - | - | A | A | D |
| Cupric Chloride Aq. | 10 | B | - | A | A | A | B |

| Chemical | Concentration % | Polyamide (Nylon) | Acetal | UHMW | PTFE (Hi-Temp) | Polypropylene | Neoprene Rubber |
|--------------------------|-----------------|-------------------|--------|------|----------------|---------------|-----------------|
| Cupric Sulfate Aq. | 0.5 | B | - | A | A | A | B |
| Cyclohexane | | A | - | A | A | A | C |
| Cyclohexanol | | B | - | A | A | A | B |
| Cyclohexanone | | A | - | A | A | A | D |
| Decalin | | A | - | A | A | A | D |
| Detergents, Organic | | A | - | A | A | A | B |
| Dibutylphthalate | | A | - | A | A | A | D |
| Dichlorodifluoro Methane | | A | - | - | A | A | - |
| Dichloroethylene | | A | - | C | A | A | - |
| Diethyleneglycol Aq. | 90 | A | - | A | A | A | A |
| Diesel Oil | | A | - | A | A | A | C |
| Dimethyl Carbinol | | B | A | A | A | A | - |
| Dimethyl Aniline | | A | - | A | A | A | - |
| Dimethyl Formamide | | A | A | A | A | A | D |
| Dietyl Phthalate | | A | - | - | A | A | D |
| Dioxan | | A | A | A | A | A | D |
| Edible Oils | | A | A | A | A | A | - |
| Ethanol Aq. | 96 | B | A | A | A | A | A |
| Ether, Diethyl | | A | A | A | A | A | C |
| Ethyl Acetate | | A | B | A | A | A | D |
| Ethyl Butyrate | | A | - | - | A | A | - |
| Ethyl Chloride | | A | - | - | A | D | A |
| Ethylene Chlorhydrin | | D | - | - | A | A | B |
| Ethylene Chloride | | B | A | B | A | A | D |
| Ethylene Diamine | | A | A | A | A | A | A |
| Ethylene Dichloride | | B | - | - | A | A | D |
| Ethylene Glycol Aq. | 96 | B | - | A | A | A | A |
| Ethylene Propionate | | A | - | - | A | A | - |
| Ferrous Chloride Aq. | 5 | B | - | A | A | A | B |
| | 10 | C | - | A | A | A | B |
| Fluorine | | D | - | C | C | A | - |
| Fluosilicic Acid Aq. | 10 | C | - | A | A | A | - |

Chemical Resistance

| Chemical | Concentration % | | | | | |
|-----------------------------|-------------------|--------|------|----------------|---------------|-----------------|
| | Polyamide (Nylon) | Acetal | UHMW | PTFE (Hi-Temp) | Polypropylene | Neoprene Rubber |
| Fluothane | A | - | A | A | A | - |
| Freon 12 | A | - | - | A | A | A |
| Formaldehyde Aq. | 40 | B | A | A | A | - |
| Formic Acid Aq. | 3 | B | D | A | A | - |
| | 10 | C | D | A | A | - |
| Fruit Juices | Conc | B | B | A | A | - |
| Furfural | | A | - | A | A | D |
| Glycerine | | A | - | A | A | A |
| Heptane | | A | A | A | A | D B |
| Hexane | | A | A | A | A | A B |
| Hydrobromic Acid Aq. | 10 | C | - | A | A | A C |
| Hydrochloric Acid Aq. | 0.4 | B | D | A | A | A B |
| | 2 | C | D | A | A | A B |
| | 10 | D | D | A | A | C C |
| Hydrofluoric Acid Aq. | 4 | C | D | A | B | A A |
| Hydrogenated Veg. Oils | | A | - | A | A | - |
| Hydrogen Peroxide | 0.5 | C | D | A | A | A A |
| | 1 | C | D | A | A | A A |
| | 3 | D | D | A | A | A B |
| Hydrogen Sulfide Aq. | Sat. | A | C | A | A | A B |
| Hydroquinone | | B | - | - | A | A D |
| Iodine | | C | D | A | A | C D |
| Isooctane | | A | - | A | A | A B |
| Isopropyl Alcohol | | B | A | A | A | A B |
| Isopropyl Ether | | A | - | A | A | A C |
| Lactic Acid Aq. | 10 | C | B | A | A | A A |
| | 90 | D | - | A | A | A A |
| Lead Acetate Aq. | 10 | B | - | A | A | A B |
| Lead Stearate | | A | A | A | A | - |
| Linseed Oil | | A | A | A | A | A C |
| Lubricating Oils, Petroleum | | A | A | A | A | A B |
| Lithium Bromide Aq. | 50 | D | - | - | A | A - |
| Magnesium Chloride Aq. | 10 | A | A | A | A | A A |
| Magnesium Hydroxide Aq. | 10 | A | A | A | A | A B |
| Magnesium Sulfate Aq. | 10 | A | A | A | A | A A |
| Maleic Acid Aq. | Conc | C | - | A | A | A D |
| Malonic Acid Aq. | Conc | C | - | - | A | A - |
| Manganese Sulfate Aq. | 10 | A | A | - | A | A - |
| Mercuric Chloride Aq. | 6 | C | B | A | A | A A |
| Methanol | | B | A | A | A | A A |
| Methyl Acetate | | A | B | - | A | A B |
| Methyl Ethyl Ketone | | A | B | A | A | A D |
| Methyl Pyrrolidone | | A | - | - | A | D - |
| Methyl Chloride | | B | C | B | A | A D |
| Methyl Phenyl Ether | | A | - | - | A | A - |
| Mineral Oils | | A | A | A | A | A B |
| Naphthalene | | A | - | A | A | A D |
| Nickel Sulfate Aq. | 10 | A | - | A | A | A A |

| Chemical | Concentration % | Polyamide (Nylon) | | | | | |
|----------------------------|-----------------|-------------------|------|----------------|---------------|-----------------|--|
| | | Acetal | UHMW | PTFE (Hi-Temp) | Polypropylene | Neoprene Rubber | |
| Nitric Acid Aq. | 0.1 | C | D | A | A | A D | |
| | 10 | D | D | A | A | A D | |
| Nitrobenzene | | C | B | A | A | A D | |
| Nitromethane | | B | - | - | A | A C | |
| Oleic Acid | | A | C | A | A | A D | |
| Oleum | | D | D | C | A | A D | |
| Oxalic Acid Aq. | 10 | B | C | A | A | A B | |
| Ozone | | C | C | B | A | A - | |
| Paraffin | | A | A | A | A | A C | |
| Perchlorethylene | | B | A | - | A | A D | |
| Perchloric Acid Aq. | 10 | C | C | A | A | C B | |
| Petrol (Gasoline) | | A | A | A | A | C D | |
| Petroleum Ether | | A | A | A | A | - | |
| Phenol Aq. | 6 | C | D | A | A | A C | |
| | 75 | D | D | A | A | A D | |
| Phenol, molten | | D | D | A | A | A D | |
| Phosphoric Acid Aq. | 0.3 | B | C | A | A | A C | |
| | 3 | C | C | A | A | A D | |
| | 10 | D | C | A | A | A D | |
| Phthalic Acid Aq. | Sat. | B | - | A | A | A - | |
| Potassium Acetate Aq. | 50 | A | A | A | A | A B | |
| Potassium Bicarb. Aq. | 60 | A | - | A | A | A - | |
| Potassium Bromide Aq. | 10 | A | - | A | A | A - | |
| Potassium Carbonate Aq. | 60 | A | - | A | A | A - | |
| Potassium Chloride Aq. | 90 | A | - | A | A | A A | |
| Potassium Dichromate Aq. | 5 | B | - | A | A | A A | |
| Potassium Ferrocyanide Aq. | 30 | A | - | - | A | A - | |
| Potassium Hydroxide Aq. | 10 | A | - | A | A | A B | |
| | 50 | C | - | A | B | A B | |
| Potassium Nitrate Aq. | 10 | A | B | A | A | A A | |
| Potassium Permanganate Aq. | 1 | C | A | A | A | A - | |
| Potassium Sulfate Aq. | Conc | A | - | A | A | A A | |
| Potassium Sulfide Aq. | 90 | A | - | - | A | A A | |
| Pyridine | | A | A | A | A | A D | |
| Propane Gas | | A | - | A | A | A B | |
| Resorcinol | | C | - | - | A | A - | |
| Salicylic Acid | | A | - | - | A | A - | |
| Silicone Fluids | | A | A | A | A | A A | |
| Silver Nitrate | | A | A | A | A | A A | |
| Soap Solutions | | A | A | A | A | A B | |
| Sodium Acetate Aq. | 60 | B | - | A | A | A B | |
| Sodium Benzoate Aq. | 10 | A | - | A | A | A - | |
| Sodium Bicarbonate Aq. | 50 | A | A | A | A | A A | |
| Sodium Bisulfite Aq. | 10 | A | - | A | A | A A | |
| Sodium Bromide Aq. | 10 | A | - | - | A | A - | |
| Sodium Carbonate Aq. | 20 | A | A | A | A | A A | |
| | 50 | A | - | A | A | B A | |
| Sodium Chlorate Aq. | 10 | A | - | A | A | A - | |

| Chemical | Concentration % | Polyamide (Nylon) | | | | | |
|--------------------------|-----------------|-------------------|------|----------------|---------------|-----------------|--|
| | | Acetal | UHMW | PTFE (Hi-Temp) | Polypropylene | Neoprene Rubber | |
| Sodium Chloride Aq. | 10 | A | A | A | A | A A | |
| | 90 | A | A | A | A | A - | |
| Sodium Cyanide Aq. | 10 | A | A | A | A | A A | |
| Sodium Hydroxide Aq. | 10 | A | D | A | A | A B | |
| | 50 | A | D | A | B | A - | |
| Sodium Hypochlorite 15% | | D | D | A | A | A D | |
| Sodium Nitrate Aq. | 50 | A | B | A | A | A B | |
| Sodium Perborate Aq. | 10 | B | - | A | A | A B | |
| Sodium Phosphate Aq. | 90 | A | - | - | A | A B | |
| Sodium Silicate | | A | A | A | A | A A | |
| Sodium Sulfate Aq. | 90 | A | A | A | A | A A | |
| Sodium Sulfide Aq. | 90 | A | - | A | A | A A | |
| Sodium Thiosulfate Aq. | 10 | A | A | A | A | A A | |
| Stannic Chloride Aq. | 10 | C | - | - | A | A D | |
| Stannic Sulfate Aq. | 10 | C | - | - | A | A - | |
| Stearic Acid | | A | - | A | A | A B | |
| Sulfur Dioxide (Dry Gas) | 100 | B | B | A | A | A D | |
| Sulfuric Acid Aq. | 2 | C | D | A | A | A D | |
| | 5 | D | D | A | A | C - | |
| Sulfurous Acid Aq. | 10 | D | C | A | A | A B | |
| Tallow | | A | A | A | A | A B | |
| Tar | | B | - | - | A | A C | |
| Tartaric Acid Aq. | 10 | B | - | A | A | A A | |
| Tetrachloroethylene | | A | - | B | A | A D | |
| Tetrahydrofuran | | A | A | B | A | A D | |
| Tetralin | | A | - | A | A | A D | |
| Thionyl Chloride | | C | B | C | A | A - | |
| Thiophene | | A | - | B | A | A - | |
| Toluene | | A | A | B | A | C D | |
| Trichloroethylene | | B | B | B | A | A D | |
| Triethanolamine | | A | - | A | A | A B | |
| Turpentine | | A | A | A | A | A D | |
| Trisodium Phosphate Aq. | 95 | B | - | - | A | A D | |
| Urea | | A | A | A | A | A - | |
| Vegetable Oils | | A | A | A | A | A C | |
| Vinegar | | C | C | A | A | A B | |
| Vinyl Chloride | | A | - | - | A | A - | |
| Water | | A | A | A | A | A B | |
| White Spirit | | A | A | A | A | A B | |
| Wines & Spirits | | B | A | A | A | A A | |
| Xylene | | A | A | B | A | D D | |
| Xylenol | | D | - | - | A | - D | |
| Zinc Chloride Aq. | 10 | B | - | A | A | A A | |
| Zinc Oxide | | A | - | A | A | A - | |
| Zinc Sulfate Aq. | 10 | A | - | A | A | A A | |

Chemical Resistance for Conveyor Chain Materials

☺ = Good resistance ☹ = Average resistance depending on conditions ☹ = Insufficient resistance (not recommended)

| Chemical | Acetal Resin | | PBT Polyester (NG) | | 400 series Stainless Steel | | 304 Stainless Steel | |
|------------------------|--------------|--------|--------------------|--------|----------------------------|--------|---------------------|--------|
| | Conc.% | Result | Conc.% | Result | Conc.% | Result | Conc.% | Result |
| Acetic acid | 5 | ☹ | 10 | ☹ | 5-50 | ☹ | 20 | ☹ |
| Acetone | | ☹ | | ☹ | | ☹ | 25 | ☹ |
| Acrylonitrile | - | - | - | - | - | - | - | - |
| Aluminium chloride | | ☹ | - | - | | ☹ | | ☹ |
| Aluminium sulphate | | ☹ | - | - | - | - | - | - |
| Amyl alcohol | - | - | - | - | | ☹ | | ☹ |
| Ammonia | | ☹ | 10 | ☹ | | ☹ | 100 | ☹ |
| Ammonium chloride | - | - | - | - | | ☹ | | ☹ |
| Aniline | - | - | - | - | | ☹ | | ☹ |
| Barium chloride | - | - | - | - | - | - | | ☹ |
| Beer | | ☹ | | ☹ | | ☹ | | ☹ |
| Benzene | | ☹ | - | - | | ☹ | 70 | ☹ |
| Benzic acid | - | - | - | - | | ☹ | 100 | ☹ |
| Benzol | | ☹ | - | - | | ☹ | | ☹ |
| Boric acid | - | - | - | - | | ☹ | | ☹ |
| Brine | - | - | - | - | | ☹ | | ☹ |
| Butter | | ☹ | - | - | | ☹ | | ☹ |
| Butyl acetate | - | - | - | - | - | - | - | - |
| Butyl alcohol | - | - | - | - | | ☹ | | ☹ |
| Butyl glycole | | ☹ | 10 | ☹ | - | - | - | - |
| Calcium chloride | | ☹ | - | - | | ☹ | | ☹ |
| Carbon sulphide | | ☹ | - | - | | ☹ | | ☹ |
| Carbon tetrachloride | | ☹ | - | - | | ☹ | 10 | ☹ |
| Chlorine water | | ☹ | | ☹ | | ☹ | | ☹ |
| Chloroform | | ☹ | - | - | | ☹ | | ☹ |
| Chromic acid | - | - | - | - | | ☹ | 10 | ☹ |
| Citric acid | | ☹ | 10 | ☹ | | ☹ | 25 | ☹ |
| Cyclohexane | - | - | - | - | - | - | - | - |
| Cyclohexanol | - | - | - | - | - | - | - | - |
| Decalin | - | - | - | - | - | - | - | - |
| Dioxane | - | - | - | - | - | - | - | - |
| Distilled water | | ☹ | - | - | | ☹ | | ☹ |
| Ethyl acetate | - | - | | ☹ | | ☹ | | ☹ |
| Ethyl alcohol | | ☹ | | ☹ | | ☹ | 10 | ☹ |
| Ethyl chloride | - | - | - | - | | ☹ | | ☹ |
| Ethyl ether | - | - | - | - | | ☹ | | ☹ |
| Ferric chloride | - | - | - | - | | ☹ | | ☹ |
| Food fats | | ☹ | | ☹ | | ☹ | | ☹ |
| Food oils | | ☹ | | ☹ | | ☹ | | ☹ |
| Formaldehyde | | ☹ | | ☹ | | ☹ | 100 | ☹ |
| Formic acid | 10 | ☹ | - | - | | ☹ | | ☹ |
| Freon 12 | - | - | - | - | | ☹ | | ☹ |
| Fresh water | | ☹ | | ☹ | | ☹ | | ☹ |
| Fruit juice | | ☹ | | ☹ | | ☹ | | ☹ |
| Gasoline | - | - | - | - | | ☹ | | ☹ |
| Glycerine | | ☹ | - | - | | ☹ | | ☹ |
| Hydrochloric acid | 35 | ☹ | 10 | ☹ | | ☹ | | ☹ |
| Hydrofluoric acid | - | - | - | - | | ☹ | | ☹ |
| Hydrogen peroxide | - | - | - | - | | ☹ | | ☹ |
| Isopropyl alcohol | - | - | | ☹ | | ☹ | | ☹ |
| Lactic acid | | ☹ | - | - | | ☹ | | ☹ |
| Linseed oil | | ☹ | - | - | | ☹ | | ☹ |
| Magnesium chloride | - | - | - | - | | ☹ | | ☹ |
| Methyl acetate | - | - | - | - | - | - | | ☹ |
| Methyl alcohol | | ☹ | | ☹ | | ☹ | 80 | ☹ |
| Methylene chloride | | ☹ | | ☹ | | ☹ | | ☹ |
| Milk | | ☹ | | ☹ | | ☹ | | ☹ |
| Mineral oil | | ☹ | - | - | | ☹ | | ☹ |
| Nitric acid | 5 | ☹ | | ☹ | | ☹ | 65 | ☹ |
| Nitrobenzene | | ☹ | - | - | - | - | - | - |
| Oleic acid | | ☹ | - | - | | ☹ | | ☹ |
| Oxalic acid | | ☹ | - | - | 10 | ☹ | 65 | ☹ |
| Paraffin | | ☹ | - | - | | ☹ | | ☹ |
| Petroleum | | ☹ | | ☹ | | ☹ | | ☹ |
| Petroleum ether | | ☹ | - | - | - | - | - | - |
| Phenol | | ☹ | | ☹ | | ☹ | | ☹ |
| Phosphoric acid | 10 | ☹ | - | - | | ☹ | 50 | ☹ |
| Potassium bichromate | - | - | - | - | - | - | - | - |
| Potassium bromide | - | - | - | - | - | - | - | - |
| Potassium hydroxide | 25 | ☹ | 5 | ☹ | | ☹ | | ☹ |
| Potassium permanganate | - | - | - | - | - | - | - | - |
| Sea water | | ☹ | - | - | | ☹ | | ☹ |
| Silicone oil | - | - | | ☹ | - | - | - | - |
| Silver nitrate | - | - | - | - | | ☹ | | ☹ |
| Sodium carbonate | | ☹ | - | - | | ☹ | 100 | ☹ |
| Sodium chloride | | ☹ | 5 | ☹ | | ☹ | | ☹ |
| Sodium hydroxide | - | - | | ☹ | | ☹ | | ☹ |
| Sodium hypochlorite | | ☹ | - | - | | ☹ | | ☹ |
| Sodium silicate | - | - | - | - | | ☹ | 100 | ☹ |
| Sodium sulphate | - | - | - | - | | ☹ | 100 | ☹ |
| Soft drinks | | ☹ | | ☹ | | ☹ | | ☹ |
| Suds | | ☹ | | ☹ | | ☹ | | ☹ |
| Sulphuric acid | 40 | ☹ | 10 | ☹ | | ☹ | | ☹ |
| Tartaric acid | 30 | ☹ | - | - | | ☹ | 50 | ☹ |
| Tetrahydrofuran | - | - | - | - | - | - | - | - |
| Tetralin | - | - | - | - | - | - | - | - |
| Tincture of iodine | - | - | - | - | - | - | - | - |
| Toluol | - | - | | ☹ | | ☹ | | ☹ |
| Transformer oil | - | - | - | - | - | - | - | - |
| Trichloroethylene | - | - | - | - | | ☹ | | ☹ |
| Triethanolamin | - | - | - | - | - | - | - | - |
| Turpentine | | ☹ | | ☹ | | ☹ | | ☹ |
| Vaseline | - | - | - | - | | ☹ | | ☹ |
| Vegetable juice | | ☹ | | ☹ | | ☹ | | ☹ |
| Vegetable oils | | ☹ | | ☹ | | ☹ | | ☹ |
| Vinegar | | ☹ | - | - | | ☹ | | ☹ |
| Water and soap | | ☹ | | ☹ | | ☹ | | ☹ |
| Whisky | - | - | | ☹ | | ☹ | | ☹ |
| Wine | | ☹ | | ☹ | | ☹ | | ☹ |
| Xylol | | ☹ | - | - | | ☹ | | ☹ |

Data shown in this table was taken from laboratory tests performed on unstrained samples and are merely indicative. Chemical resistance under normal working conditions can depend on various factors, such as stress and temperature, concentration of the chemical agent and duration of its effects.

Product Description Index

- 1400 Chain Series, 59
- 1700 Chain Series, 54
- 1701 Chain Series, 56
- 1702 Chain Series, 54
- 1843 Chain Series, 50
- 1863 Chain Series, 51
- 1873 Chain Series, 46, 52
- 2121 Belt Series, 76, 78
- 2250 Chain-Belt Series, 82, 84
- 2251 Chain-Belt Series, 94, 96, 98
- 2252 Belt Series, 88, 90, 92
- 2260 Chain-Belt Series, 86
- 600 Chain Series, 58
- 812 Chain Series, 8
- 815 Chain Series, 8
- 820 Chain Series, 16
- 821 Chain Series, 22
- 828 Chain Series, 20
- 831 Chain Series, 18, 36
- 843 Chain Series, 48
- 863 Chain Series, 49
- 878 Chain Series, 24, 38, 44
- 879 Chain Series, 26, 28, 30, 40
- 880 Chain Series, 26, 28, 30
- 881 Chain Series, 10, 12, 14
- 881O Chain Series, 10, 12
- 882 Chain Series, 32, 34, 42
- Accessory Holder, 332-333, 336, 338
- Adjustable Glides, 368
- Adjustable Clamp, 231
- Adjustable Levelers, 344-368
- Adjustable Support Bar, 324
- Adjusting Rods, 230, 279, 296-297
- Aluminum Guide Rail, 247, 257-261
- Bar Caps, 242-245
- Bars Covers, 255-256
- BeadRail™, 275
- BeadWall™, 280-281
- Bearings, Roller, 406-409
- Belt Side Guide, 188
- Belt Support Wear Strip, 176-181, 188
- Bipod Base, 373-374
- Bolt Slot Cover, 284
- Bottle Guides, 247
- Bottle Indicator, 335
- Braced Angle Bracket, 283
- Brackets, 289-324
- Cable Guides, 194-195
- Cable Pulleys, 193-194
- Case/Crate Conveyor Chains, 58-59
- Chain Guide Shoe, 182-183
- Chain Guide, 206-207
- Chain Guide Wear Strip, 180-182
- Chain Return Shoe, 187
- Channel Clamps, 182
- Chemical Resistance, 422-424
- Clamp and Metal Rod, 227, 237
- Combiner Bracket, 283
- Combiner Section Ends, 283
- Connecting Joints, 371
- Corner Block, 219
- Corner Clip, 284
- Cross Blocks, 327-331, 338
- Cross Clamp, 333
- Double Rail Clamps, 225-226, 236
- Drip Pan Holders, 326
- Drive Rivet, 185
- DynaPlate, 156-158
- Extended Chain Guide, 191, 207
- Fixed Bracket, 324-325
- Flat Top Belts, 76-79, 88-93
- Flat Top Belts with Rollers, 80-81, 94-95
- Flat Top Chains Belts, 84-87, 96-99
- Flexible Roller Guides, 276-279
- Flight Edging, 263
- Guide Rail, 200-217
- Half Round Bar Covers, 253
- Half Round Bars, 253
- Hand Knobs, 307
- Handles, 380
- Hanger Bearings, 264
- Heavy Duty BeadWall™, 281
- Heavy Duty Brackets, 291
- Heavy Duty Clips, 232
- Heavy Duty Combiner Bracket, 283
- Hinges, 381-382
- Hi-Temp Rail, 213
- Idler Wheels, 104-105
- J-Leg, 248-251
- Jointed Adjusting Rods, 229, 297
- Jointed SpeedSet Rod Adapter, 303
- Lane Divider Bracket, 284
- Lane Divider, 216-217, 279
- LBP 2120 belt series, 80
- LBP 821 chain series, 60
- LBP 831 chain series, 64
- LBP 878 chain series, 72
- LBP 882 chain series, 66, 68, 70
- LBP 8257 chain series, 62
- Leg Tie, 368
- Levelers, 344-368
- Locking Shaft Collars, 340
- Machined Hub, 126
- Magnetic Corner Track, 146-153
- Magnetic Side Flexing Chains, 14-15, 30-31
- Metal "L" Brackets, 321-322
- Metal Levelers, 367
- Modular Belts, 74
- Modular Transfer Plates, 156-162
- Mounting Bar, 228, 325
- M-Profile, 276-278
- Multiflex Chains, 54-57
- Neck Guides, 246
- Nolu-S Rod, 412
- Nose Bar, 75
- Nose Plow, 285
- Nyla-Ride™, 408
- Photocell Mounts, 334-335
- Plastic "L" Brackets, 304-305
- Plastic Double Rail Clamp, 226, 236
- Plastic Fabrication, 415-419
- Plastic Materials, 418-420
- PolyGlide, 214-215
- Post Brackets, 317-319
- Post Caps, 369-370
- Protective Caps, 325
- Quick Adjust Head, 303
- Rail Bender Rollers, 220-223
- Rail Benders, 220, 222
- Rail Bridge Kit, 233
- Rail Clips/Clamps, 224-228
- Rail Splice Clamp, 232-233
- Ratchet Handles, 331, 376-379
- Reflector Mount, 336, 338
- Reflector Mounting Assembly, 337, 339
- Return Rollers, 164-166, 386-388
- Rod End, 229, 237, 412
- Rod Mount Brackets, 308-309
- Rod Mounts, 323
- Roller Chain Break Tool, 53
- Roller Chain Guide Assembly, 189-190
- Roller Chain Guide, UHMW, 191-192
- Roller Combiner, 282
- Roller End Bearings, 406-412
- Roller Module Clamp, 279
- Roller Stub Shaft, 406
- Rollers, 391-405
- Rollers, Return, 164-168, 386-388
- Roll-Tech, 384-385
- Round Bar, 262
- Round Bar Covers, 252
- Round Rod and Clamps, 237
- Safe Transfer Module, 154-155
- Safety Cap, 325
- Safety Handle, 380
- SaniStar, 344-347
- Sanitary Leg, 375
- Self Tightening Clip, 234-235
- Sensor Mount, 228, 331
- Sensor Mounting Assembly, 337, 339
- Serpentine Wear Strip, 187
- Shaft Collar, 340
- Side Flexing Chains, 10-13, 24-29, 32-35, 38-47, 50-53, 66-73
- Side Guide, 240
- Side Mounting Bracket, 370
- Side Plow, 285
- Side Transfer Shoes, 183
- Single Rail Clamps, 224
- Solid Guide Rail, 208-211
- Spacers for Brackets, 306
- SpeedRail™, 269-271, 274
- SpeedRoll™, 271-273
- SpeedSet Bracket, 298-303, 315-316
- SpeedSet Cartridge, 320
- SpeedSet Spacers, 300
- Spiral Conveyor Wear Strips, 244, 254
- Splice Clamp, 232
- Splice Kits, 284
- Splice Sleeve, 232
- Splicing Pins, 270, 273
- Sprockets for Belt Series 2121, 116-118
- Sprockets for Belt Series 2252, 122-123
- Sprockets for Belt Series LBP2120, 116-118
- Sprockets for Belt Series LBP2251, 122-123
- Sprockets for Case/Crate Chain Series 600, 125
- Sprockets for Case/Crate Chain Series 1400, 124
- Sprockets for Case/Crate Chain Series 1431, 124
- Sprockets for Chain Series 812, 102-103
- Sprockets for Chain Series 815, 102-103
- Sprockets for Chain Series 815VG, 102-103
- Sprockets for Chain Series 820, 108-109
- Sprockets for Chain Series 821, 110-111
- Sprockets for Chain Series 821VG, 110-111
- Sprockets for Chain Series 828, 112-113
- Sprockets for Chain Series 831, 108-109
- Sprockets for Chain Series 831VG, 108-109
- Sprockets for Chain Series 878TAB VG, 112-113
- Sprockets for Chain Series 878TAB, 112-113, 126
- Sprockets for Chain Series 878TGS, 112-113
- Sprockets for Chain Series 879, 112-113
- Sprockets for Chain Series 879M, 112-113
- Sprockets for Chain Series 879TAB VG, 112-113
- Sprockets for Chain Series 879TAB, 112-113
- Sprockets for Chain Series 880, 112-113
- Sprockets for Chain Series 880M, 112-113
- Sprockets for Chain Series 880TAB, 112-113
- Sprockets for Chain Series 881, 106-107
- Sprockets for Chain Series 8810, 106-107
- Sprockets for Chain Series 8810T, 106-107
- Sprockets for Chain Series 881M, 102-103
- Sprockets for Chain Series 881MO, 102-103
- Sprockets for Chain Series 881T, 106-107
- Sprockets for Chain Series 881TVG, 106-107
- Sprockets for Chain Series 881VG, 106-107
- Sprockets for Chain Series 882, 114-115
- Sprockets for Chain Series 882M, 114-115
- Sprockets for Chain Series 882T, 114-115
- Sprockets for Chain Series 882TVG, 114-115
- Sprockets for Chain Series LBP821, 110-111
- Sprockets for Chain Series LBP831, 108-109
- Sprockets for Chain Series LBP878T, 112-113
- Sprockets for Chain Series LBP882T, 114-115
- Sprockets for Chain Series 2250TAB, 120-121
- Sprockets for Chain-Belt Series 2251TAB, 120-121
- Sprockets for Chain-Belt Series 2260, 120-121
- Sprockets for Multiflex Chain, 119, 125
- Sprockets, 102-125
- Stacking Ring, 306
- Stainless Steel Brackets, 310-322
- Stainless Steel Leveler, 344-349
- Stainless Steel Rod, 227, 237
- Standard Duty Bracket, 292-295
- Static Dissipative Rail, 212
- Straight Running Chains, 8-9, 16-23, 36-37, 48-49, 60-65
- Support Bars, 324
- Support Rods, 336, 338
- Swivel Cap, 293
- Swivel Clamp, 230
- Tab Chain Guide, 178, 204
- Tangential Sprocket, 126
- T-Clamp, 336, 338
- Tee Guide Rail, 176-180, 202-205, 210-211
- T-head bolts, 284
- Threaded End, 165, 431
- Threaded Rod, 365
- Triple Rail Clamp, 226
- Tripod Base, 373-374
- T-Rod, 332
- Tube Cap, 343
- Tube Covers, 254
- Tube Ends, 342-343
- Turning Disk, 129
- Twist Insert, 219
- UHMW and Aluminum Rails, 257-262
- UHMW Tape Roll, 196
- Universal Mount, 334
- ValuFlex, 169-175
- ValuTrac, 130-145
- V-Belt Guide, 194
- Vibration Pads, 363
- Wear Bed Grid, 218
- Wear Strip, UHMW, 184, 186-187, 252
- Wide Guide™, 238-239

Part Number Index

| | | | |
|--------------|--------------|-------------|---------------|
| 011R..., 262 | 11072, 68 | 11383, 26 | 11536G, 52 |
| 011S..., 464 | 11073, 70 | 11386, 26 | 11537G, 52 |
| 012R..., 262 | 11074, 70 | 11388, 72 | 11538G, 52 |
| 012R..., 456 | 11075, 70 | 11389, 24 | 11539G, 52 |
| 012S..., 464 | 11076, 62 | 11390, 24 | 11540G, 52 |
| 017R..., 262 | 11077, 62 | 11391, 38 | 11541G, 52 |
| 017S..., 464 | 11078, 62 | 11395M, 30 | 11542G, 52 |
| 081S..., 464 | 11087, 59 | 11396M, 30 | 11543, 50 |
| 10001L, 8 | 11093, 42 | 11397MG, 30 | 11544G, 50 |
| 10003, 8 | 11094, 42 | 11398MG, 30 | 11545, 50 |
| 10004, 8 | 11095, 42 | 11404, 44 | 11546G, 50 |
| 10005, 8 | 11096, 59 | 11407, 44 | 11547, 51 |
| 10006, 8 | 11098, 59 | 11408, 44 | 11552G, 51 |
| 10007, 8 | 11100G, 16 | 11409, 44 | 11557, 51 |
| 10009L, 8 | 11102G, 16 | 11420G, 24 | 11562G, 51 |
| 10011, 8 | 11103G, 16 | 11421M, 30 | 11593, 48 |
| 10012, 8 | 11104G, 16 | 11429, 50 | 11594G, 48 |
| 10013, 8 | 11105G, 18 | 11430G, 50 | 11595G, 48 |
| 10014, 8 | 11106G, 18 | 11433, 50 | 11597, 48 |
| 10016, 8 | 11107G, 18 | 11434G, 50 | 11598G, 48 |
| 10018, 8 | 11130, 20 | 11459, 32 | 11599G, 48 |
| 10019, 8 | 11132G, 20 | 11460, 32 | 11607, 18 |
| 10020, 8 | 11134, 20 | 11461, 32 | 11608, 18 |
| 10021, 8 | 11151, 16 | 11462G, 32 | 11609, 18 |
| 10036L, 8 | 11154, 16 | 11463G, 32 | 11614, 48 |
| 10085L, 8 | 11155, 16 | 11464G, 32 | 11615, 48 |
| 10095L, 8 | 11156, 16 | 11480, 32 | 11616, 48 |
| 10107, 10 | 11160, 18 | 11481, 32 | 11617, 48 |
| 10108, 10 | 11161, 18 | 11482, 32 | 11622, 49 |
| 10109, 10 | 11162, 18 | 11483, 34 | 11623, 49 |
| 10110, 12 | 11170, 22 | 11484, 34 | 11624, 49 |
| 10111, 12 | 11171, 22 | 11485, 34 | 11625, 49 |
| 10112, 12 | 11172, 22 | 11486, 34 | 11633, 52 |
| 10201, 14 | 11185, 26 | 11500G, 28 | 11634, 52 |
| 10203, 14 | 11187, 26 | 11500MG, 30 | 11635, 52 |
| 10206L, 14 | 11193, 26 | 11501G, 28 | 11636, 52 |
| 10208L, 14 | 11194, 26 | 11501MG, 30 | 11637, 52 |
| 10213L, 14 | 11195, 28 | 11502G, 26 | 11638, 52 |
| 10255L, 14 | 11195M, 30 | 11503G, 26 | 11639, 52 |
| 10265L, 14 | 11197, 28 | 11504G, 28 | 11644, 48 |
| 10302, 8 | 11197M, 30 | 11505G, 28 | 11645, 48 |
| 10304, 8 | 11198, 28 | 11506, 26 | 11646, 48 |
| 10305, 8 | 11198M, 30 | 11507, 26 | 11647, 48 |
| 10306, 8 | 11199, 28 | 11508G, 26 | 11652, 49 |
| 10307, 8 | 11221, 36 | 11509G, 26 | 11653, 49 |
| 10400, 10 | 11242, 40 | 11510G, 22 | 11654, 49 |
| 10401, 10 | 11245, 40 | 11511G, 22 | 11655, 49 |
| 10402, 10 | 11322, 98 | 11512G, 22 | 11663, 52 |
| 10403, 12 | 11322XPG, 98 | 11513G, 34 | 11664, 52 |
| 10404, 12 | 11323, 82 | 11514G, 34 | 11665, 52 |
| 10405, 12 | 11323XPG, 82 | 11515G, 34 | 11666, 52 |
| 11002, 22 | 11324, 82 | 11516G, 34 | 11667, 52 |
| 11004, 22 | 11324XPG, 82 | 11517G, 48 | 11668, 52 |
| 11006, 22 | 11325, 96 | 11518G, 48 | 11689, 52 |
| 11007, 58 | 11325XPG, 96 | 11519G, 48 | 11706G, 52 |
| 11009, 58 | 11328, 98 | 11520G, 48 | 11708G, 52 |
| 11040, 34 | 11328XPG, 98 | 11521G, 48 | 11720, 48 |
| 11041, 34 | 11329, 86 | 11522G, 48 | 11721G, 48 |
| 11042, 34 | 11329XPG, 86 | 11523G, 49 | 11723, 48 |
| 11043, 34 | 11362, 16 | 11525G, 49 | 11724G, 48 |
| 11053, 64 | 11365, 16 | 11526G, 49 | 11730, 46 |
| 11054, 64 | 11368, 16 | 11527G, 49 | 11731, 46 |
| 11055, 60 | 11371, 16 | 11528G, 49 | 11732, 46 |
| 11056, 60 | 11374, 16 | 11529G, 49 | 11736, 44 |
| 11057, 60 | 11377, 28 | 11530G, 49 | 11737, 44 |
| 11068, 68 | 11377M, 30 | 11531G, 52 | 11738, 44 |
| 11069, 68 | 11377ST, 38 | 11532G, 52 | 11739, 44 |
| 11070, 66 | 11380, 28 | 11533G, 52 | 11740, 44, 46 |
| 11071, 66 | 11380M, 30 | 11534G, 52 | 11741, 46 |
| | 11380ST, 28 | 11535G, 52 | 11742, 44, 46 |

Part Number Index

| | | | |
|---------------|---------------------|---------------|---------------|
| 11746, 44, 47 | 121330S, 110 | 12293S, 110 | 123117S, 121 |
| 11762, 46 | 121331S, 110 | 12294S, 110 | 123118S, 121 |
| 11763, 46 | 121332S, 110 | 12295S, 110 | 123119S, 121 |
| 11766, 46 | 121333S, 110 | 123000VS, 118 | 123120S, 121 |
| 11767, 46 | 121334S, 110 | 123001VS, 118 | 123122S, 121 |
| 11775, 46 | 121335S, 110 | 123002VS, 118 | 123123S, 121 |
| 11951, 54 | 121336S, 110 | 123003VS, 118 | 123124S, 121 |
| 11953, 54 | 121337S, 110 | 123004VS, 118 | 123125S, 121 |
| 11954, 54 | 121338S, 110 | 123005VS, 118 | 123126S, 121 |
| 11955, 54 | 121339S, 110 | 123007VS, 118 | 123127S, 121 |
| 11956, 56 | 121340S, 110 | 123009VS, 118 | 123128S, 121 |
| 11958, 56 | 121341S, 110 | 123010VS, 118 | 123129S, 121 |
| 121017, 120 | 121342S, 110 | 123011VS, 118 | 123130S, 121 |
| 121023, 120 | 121343S, 110 | 123012VS, 118 | 123131S, 121 |
| 121029, 120 | 121344S, 110 | 123013VS, 118 | 123132S, 121 |
| 121125, 108 | 121752S, 112 | 123058S, 123 | 123133S, 121 |
| 121126S, 108 | 121753S, 112 | 123059S, 123 | 123134S, 121 |
| 121127S, 108 | 121754S, 112 | 123060S, 123 | 123136S, 121 |
| 121128S, 108 | 121755S, 112 | 123061S, 123 | 123137S, 121 |
| 121129S, 108 | 121756S, 112 | 123062S, 123 | 123138S, 121 |
| 121147S, 108 | 121757S, 112 | 123063S, 123 | 123139S, 121 |
| 121148S, 108 | 121758S, 112 | 123064S, 123 | 123140S, 121 |
| 121149S, 108 | 121759S, 112 | 123066S, 123 | 123150S, 123 |
| 121150S, 108 | 121760S, 112 | 123067S, 123 | 123151S, 123 |
| 121151S, 108 | 121761S, 112 | 123068S, 123 | 123152S, 123 |
| 121152S, 108 | 121762S, 112 | 123069S, 123 | 123154S, 123 |
| 121153S, 108 | 121763S, 112 | 123070S, 123 | 123155S, 123 |
| 121154S, 108 | 121764S, 112 | 123071S, 123 | 123156S, 123 |
| 121155S, 108 | 121765S, 112 | 123072S, 123 | 123162S, 123 |
| 121156S, 108 | 121766S, 112 | 123073S, 123 | 123163S, 123 |
| 121157S, 108 | 121767S, 112 | 123074S, 123 | 123164S, 123 |
| 121159S, 108 | 121768S, 114 | 123075S, 123 | 123190VS, 118 |
| 121160S, 108 | 121769S, 114 | 123076S, 123 | 123191VS, 118 |
| 121161S, 108 | 121769SK, 114 | 123077S, 123 | 123192VS, 118 |
| 121162S, 108 | 121770S, 114 | 123078S, 123 | 123193VS, 118 |
| 121163S, 108 | 121771S, 114 | 123080S, 123 | 123194VS, 118 |
| 121164S, 108 | 121772S, 114 | 123081S, 123 | 123195VS, 118 |
| 121165S, 108 | 121772SK, 114 | 123082S, 123 | 123197VS, 118 |
| 121166S, 108 | 121773S, 114 | 123083S, 123 | 123198VS, 118 |
| 121199, 102 | 121774S, 114 | 123084S, 123 | 123199VS, 118 |
| 121200S, 102 | 121775S, 114 | 123085S, 123 | 12326, 125 |
| 121201S, 102 | 121775SK, 114 | 123086S, 123 | 12327, 125 |
| 121203S, 102 | 121776S, 114 | 123087S, 123 | 12328, 125 |
| 121217, 106 | 121777S, 114 | 123088S, 123 | 12329, 125 |
| 121239S, 102 | 121778S, 114 | 123089S, 123 | 12331, 124 |
| 121240S, 102 | 121778SK, 114 | 123090S, 123 | 12332, 124 |
| 121241S, 102 | 121779S, 114 | 123091S, 123 | 12333, 124 |
| 121242S, 102 | 121965, 164, 386 | 123092S, 123 | 12334, 124 |
| 121243S, 102 | 121966RN, 165, 387 | 123094S, 123 | 12346S, 114 |
| 121244S, 102 | 121969F, 164, 386 | 123095S, 123 | 12347S, 114 |
| 121245S, 102 | 121969RNF, 165, 387 | 123096S, 123 | 12347SK, 114 |
| 121246S, 102 | 121970F, 164, 386 | 123097S, 123 | 12348S, 114 |
| 121247S, 102 | 121970RNF, 165, 387 | 123098S, 123 | 12349S, 114 |
| 121248S, 102 | 121985, 166, 388 | 123099S, 121 | 12350S, 114 |
| 121249S, 102 | 121987, 166, 388 | 123100S, 121 | 12350SK, 114 |
| 121250S, 102 | 121987RN, 166, 388 | 123101S, 121 | 12351S, 114 |
| 121251S, 102 | 121991, 166, 388 | 123102S, 121 | 12352S, 114 |
| 121252S, 102 | 122111RN, 165, 387 | 123103S, 121 | 12353S, 114 |
| 121253S, 102 | 122111V, 164, 386 | 123104S, 121 | 12353SK, 114 |
| 121254S, 102 | 122114RN, 165, 387 | 123105S, 121 | 12354S, 114 |
| 121255S, 102 | 122114V, 164, 386 | 123106S, 121 | 12355S, 114 |
| 121256S, 102 | 12284S, 110 | 123108S, 121 | 12356S, 114 |
| 121257S, 102 | 12285S, 110 | 123109S, 121 | 12356SK, 114 |
| 121258S, 102 | 12286S, 110 | 123110S, 121 | 12357S, 114 |
| 121307, 110 | 12287S, 110 | 123111S, 121 | 12382S, 112 |
| 121308S, 110 | 12288S, 110 | 123112S, 121 | 12383S, 112 |
| 121309S, 110 | 12289S, 110 | 123113S, 121 | 12384S, 112 |
| 121310S, 110 | 12290S, 110 | 123114S, 121 | 12385S, 112 |
| 121311S, 110 | 12291S, 110 | 123115S, 121 | 12386S, 112 |
| 121329S, 110 | 12292S, 110 | 123116S, 121 | 12387S, 112 |

Part Number Index

| | | | |
|-------------------|--------------------|---------------|------------------|
| 12388S, 112 | 125501VS, 116 | 12908, 102 | 14755, 342 |
| 12389S, 112 | 125502RIVS, 116 | 12910, 112 | 14757, 343 |
| 12390S, 112 | 125502VS, 116 | 12911, 112 | 14764, 342 |
| 12391S, 112 | 125503RIVS, 116 | 12912, 112 | 14767, 342 |
| 12392S, 112 | 125503VS, 116 | 12913, 112 | 14797, 343 |
| 12393S, 112 | 125504RIVS, 116 | 12914, 114 | 15058, 373 |
| 12394S, 112 | 125504VS, 116 | 12915, 114 | 15060, 373 |
| 12395S, 112 | 125505RIVS, 116 | 12916, 114 | 15062, 373 |
| 12396S, 112 | 125505VS, 116 | 12917, 114 | 15064, 373 |
| 12397S, 112 | 125506GV, 116 | 12924S, 108 | 15068, 373 |
| 125250GF, 122 | 125506RIVS, 116 | 12925S, 108 | 15070, 373 |
| 125250RS, 122 | 125506VS, 116 | 12926S, 108 | 15072, 373 |
| 125250S, 122 | 125507RIVS, 116 | 12927S, 108 | 15074, 373 |
| 125251RS, 122 | 125507VS, 116 | 12928S, 108 | 15076, 373 |
| 125251S, 122 | 125508RIVS, 116 | 12929S, 108 | 15084, 373 |
| 125252RS, 122 | 125508VS, 116 | 12930S, 108 | 15086, 373 |
| 125252S, 122 | 125509RIVS, 116 | 12931S, 108 | 15088, 373 |
| 125253RS, 122 | 125509VS, 116 | 12932S, 108 | 15090, 374 |
| 125253S, 122 | 12550S, 102 | 12933S, 108 | 15092, 374 |
| 125254GF, 122 | 125510GV, 116 | 12934S, 108 | 15094, 374 |
| 125254RS, 122 | 125510RIVS, 116 | 12936S, 108 | 15096, 374 |
| 125254S, 122 | 125510VS, 116 | 12937S, 108 | 15100, 374 |
| 125255RS, 122 | 125511RIVS, 116 | 12938S, 108 | 15102, 374 |
| 125255S, 122 | 125511VS, 116 | 12939S, 108 | 15335N, 373 |
| 125256RS, 122 | 125512RIVS, 116 | 12961, 108 | 15337N, 373 |
| 125256S, 122 | 125512VS, 116 | 12962, 108 | 15339N, 373 |
| 125257RS, 122 | 125513RIVS, 116 | 12963, 108 | 15344N, 373 |
| 125257S, 122 | 125513VS, 116 | 12964, 108 | 15350N, 373 |
| 125258GF, 122 | 12551S, 102 | 12967, 106 | 15351N, 373 |
| 125258RS, 122 | 125600GV, 117 | 12968, 106 | 15352N, 373 |
| 125258S, 122 | 125600RVS, 117 | 12969, 106 | 15354N, 372 |
| 125259RS, 122 | 125600VS, 117 | 12970V, 124 | 15360N, 372 |
| 125259S, 122 | 125601RVS, 117 | 12971V, 124 | 15361N, 372 |
| 125260RS, 122 | 125601VS, 117 | 12972V, 124 | 15362N, 372 |
| 125260S, 122 | 125602RVS, 117 | 131170, 231 | 15500, 374 |
| 125261RS, 122 | 125602VS, 117 | 13129V, 293 | 15507N, 372 |
| 125261S, 122 | 125603RVS, 117 | 13130V, 293 | 15511N, 372 |
| 125262GF, 122 | 125603VS, 117 | 13149..., 335 | 15703N, 372 |
| 125262RS, 122 | 12730, 119, 125 | 13150, 335 | 15725N, 372 |
| 125262S, 122 | 12745, 119, 125 | 13182, 329 | 15727N, 372 |
| 125263RS, 122 | 12750, 119, 125 | 13490A, 309 | 15729N, 372 |
| 125263S, 122 | 12763, 164, 430 | 13641, 291 | 15731N, 372 |
| 125264RS, 122 | 12763RNF, 165, 387 | 13648, 291 | 15732N, 372 |
| 125264S, 122 | 12772G, 126 | 13715, 239 | 15736N, 372 |
| 125265RS, 122 | 12777, 127 | 13716, 239 | 15738N, 372 |
| 125265S, 122 | 12778, 127 | 13717, 239 | 15826N, 372 |
| 12529S, 102 | 12779, 127 | 13718, 239 | 16142, 279 |
| 12530S, 102 | 12780, 127 | 13781V, 293 | 16152, 279 |
| 12534, 166, 432 | 12781L, 126 | 13783V, 293 | 16500, 278 |
| 12535RN, 165, 431 | 12782L, 126 | 13809, 325 | 16550, 278 |
| 12535V, 164, 430 | 12783, 129 | 13827, 371 | 1660..., 276 |
| 12536RN, 165, 431 | 12831, 164, 386 | 13828, 371 | 1665..., 276 |
| 12536V, 164, 430 | 12831RN, 165, 387 | 13833, 279 | 16770..., 159 |
| 12538S, 102 | 12833, 164, 386 | 13982, 239 | 16771..., 159 |
| 12539S, 102 | 12835, 164, 386 | 14053, 370 | 16772..., 159 |
| 12540S, 102 | 12835RN, 165, 387 | 14076N, 183 | 16773..., 159 |
| 12541S, 102 | 12836, 164, 386 | 14077N, 183 | 16777..., 159 |
| 12542S, 102 | 12836RN, 165, 387 | 14087N, 183 | 16778..., 159 |
| 12543S, 102 | 12837, 164, 386 | 14088N, 183 | 1680..., 277 |
| 12544S, 102 | 12838, 164, 386 | 14109, 182 | 1682..., 277 |
| 12545S, 102 | 12838RNF, 165, 387 | 14110..., 182 | 16S00020..., 156 |
| 12546S, 102 | 12841, 166, 388 | 14111, 182 | 16S00021..., 157 |
| 12547S, 102 | 12892, 164, 386 | 14143A, 75 | 16S00022..., 158 |
| 12548S, 102 | 12892RN, 165, 387 | 14144A, 75 | 16S00023..., 156 |
| 12549S, 102 | 12901, 110 | 14145A, 75 | 16S00024..., 157 |
| 125500GV, 116 | 12902, 110 | 14607, 343 | 16S00025..., 158 |
| 125500RIVS, 116 | 12903, 110 | 14729, 371 | 1700-, 119, 125 |
| 125500VS, 116 | 12905, 102 | 14734, 371 | 177003U, 344 |
| 125500VS, 116 | 12906, 102 | 14744N, 370 | 177004U, 344 |
| 125501RIVS, 116 | 12907, 102 | 14751, 342 | 177005U, 344 |

Part Number Index

| | | | |
|--------------------|---------------|--------------|-------------|
| 177006U, 344 | 19082..., 238 | 261013, 90 | 32076, 107 |
| 177010U, 344 | 19098..., 239 | 261014, 90 | 32077B, 105 |
| 177011U, 344 | 19500, 222 | 261015, 90 | 32078B, 105 |
| 177053U, 344 | 19506, 222 | 261016, 90 | 32079B, 105 |
| 177054U, 344 | 19507, 222 | 261017, 90 | 32080B, 105 |
| 177055U, 344 | 222LSB-, 455 | 261018, 90 | 32081B, 105 |
| 177056U, 344 | 251800, 94 | 261019, 90 | 32082B, 105 |
| 177060U, 344 | 251801, 94 | 261102, 78 | 32083B, 105 |
| 177061U, 344 | 251802, 94 | 261103, 78 | 32084B, 105 |
| 177062U, 344 | 251803, 94 | 261104, 78 | 32085, 111 |
| 177104U, 344 | 251804, 94 | 261105, 78 | 32086, 111 |
| 177105U, 344 | 251805, 94 | 261106, 78 | 32086S, 111 |
| 177108U, 344 | 251806, 94 | 261107, 78 | 32087, 111 |
| 177109U, 344 | 251807, 94 | 261108, 78 | 32089, 111 |
| 177110U, 344 | 251808, 94 | 261109, 78 | 32090, 111 |
| 177158U, 344 | 251809, 94 | 261110, 78 | 32090S, 111 |
| 177159U, 344 | 251810, 94 | 261111, 78 | 32092, 111 |
| 177160U, 344 | 251811, 94 | 261112, 78 | 32099, 103 |
| 177203U, 345 | 251812, 94 | 261113, 78 | 32100, 103 |
| 177204U, 345 | 251813, 94 | 261114, 78 | 321001, 113 |
| 177205U, 345 | 251814, 94 | 261115, 78 | 321002, 113 |
| 177206U, 345 | 251815, 94 | 261116, 78 | 321003, 113 |
| 177210U, 345 | 251816, 94 | 261117, 78 | 321004, 113 |
| 177211U, 345 | 251817, 94 | 261118, 78 | 321005, 113 |
| 177254U, 345 | 256500, 80 | 261119, 78 | 321006, 113 |
| 177255U, 345 | 256501, 80 | 26200, 92 | 321007, 113 |
| 177258U, 345 | 256502, 80 | 26201, 92 | 321008, 113 |
| 177259U, 345 | 256503, 80 | 26202, 92 | 321009, 115 |
| 177260U, 345 | 256504, 80 | 26203, 92 | 32101, 103 |
| 177300U, 346 | 256505, 80 | 26204, 92 | 321010, 115 |
| 177301U, 346 | 256506, 80 | 26205, 92 | 321011, 115 |
| 177302U, 346 | 256507, 80 | 26206, 92 | 321012, 115 |
| 177303U, 346 | 256508, 80 | 26207, 92 | 321013, 115 |
| 177310U, 346 | 256509, 80 | 26208, 92 | 321014, 115 |
| 177311U, 346 | 256510, 80 | 26209, 92 | 321015, 115 |
| 177312U, 346 | 256511, 80 | 26210, 92 | 321016, 115 |
| 177313U, 346 | 256512, 80 | 26211, 92 | 321018, 120 |
| 177321U, 346 | 256513, 80 | 26212, 92 | 321019, 120 |
| 177322U, 346 | 256514, 80 | 26213, 92 | 32102, 103 |
| 177323U, 346 | 256515, 80 | 26214, 92 | 321020, 120 |
| 177350U, 347 | 256516, 80 | 26215, 92 | 321024, 120 |
| 177351U, 347 | 256517, 80 | 26216, 92 | 321025, 120 |
| 177352U, 347 | 26000, 88 | 26217, 92 | 321026, 120 |
| 177353U, 347 | 26002, 88 | 26218, 92 | 321027, 120 |
| 177360U, 347 | 26003, 88 | 26219, 92 | 321030, 120 |
| 177361U, 347 | 26004, 88 | 273S..., 464 | 321031, 120 |
| 177362U, 347 | 26010, 88 | 300..., 331 | 321032, 120 |
| 177363U, 347 | 26011, 88 | 32053, 103 | 321033, 120 |
| 19001..., 181 | 26012, 88 | 32054, 103 | 32104, 109 |
| 19003..., 181, 248 | 26014, 88 | 32055, 103 | 32105, 109 |
| 19004..., 181 | 26050, 76 | 32056, 103 | 32106, 109 |
| 19005..., 181 | 26051, 76 | 32057, 109 | 321065, 96 |
| 19006..., 180 | 26052, 76 | 32058, 109 | 321066, 96 |
| 19007..., 181, 248 | 26053, 76 | 32059, 109 | 321067, 96 |
| 190265, 276-278 | 26054, 76 | 32060, 109 | 32107, 109 |
| 19044SB, 222 | 26056, 76 | 32061, 107 | 321070, 96 |
| 19045..., 180 | 26057, 76 | 32062, 107 | 321071, 96 |
| 19048..., 182 | 26058, 76 | 32063, 107 | 321072, 96 |
| 19050..., 239 | 26059, 76 | 32064, 107 | 321073, 96 |
| 19052..., 240 | 261002, 90 | 32065, 103 | 321075, 96 |
| 19053..., 181, 240 | 261003, 90 | 32066, 103 | 321076, 96 |
| 19067..., 180 | 261004, 90 | 32067, 103 | 321077, 96 |
| 19070..., 180, 182 | 261005, 90 | 32068, 103 | 321078, 96 |
| 19071..., 180, 182 | 261006, 90 | 32069, 109 | 321080, 103 |
| 19072..., 180, 182 | 261007, 90 | 32070, 109 | 321081, 103 |
| 19073, 180, 182 | 261008, 90 | 32071, 109 | 321082, 103 |
| 19077, 276-278 | 261009, 90 | 32072, 109 | 321083, 103 |
| 19079, 276-278 | 261010, 90 | 32073, 107 | 321085, 103 |
| 19080..., 181, 240 | 261011, 90 | 32074, 107 | 321086, 103 |
| 19081..., 181, 240 | 261012, 90 | 32075, 107 | 321087, 103 |

Part Number Index

| | | | |
|-------------|--------------------|---------------|--------------------------|
| 321088, 103 | 32483, 106 | 34211, 342 | 882-, 114-115 |
| 32109, 107 | 32484, 106 | 34219, 342 | APS..., 392 |
| 321090, 103 | 32534, 166, 388 | 34221, 342 | BPS12-, 393 |
| 321091, 103 | 32535, 164, 386 | 34763, 342 | CRP-, 406, 410 |
| 321092, 103 | 32535RN, 165, 387 | 34764, 342 | DPL7-, 393 |
| 321093, 103 | 32536, 164, 386 | 34768, 342 | HA-, 192 |
| 321095, 109 | 32536RN, 165, 387 | 35058, 373 | HAC-, 264 |
| 321096, 109 | 32711, 113 | 35060, 373 | HC-, 192 |
| 321097, 109 | 32731, 119, 125 | 35062, 373 | HE-, 192 |
| 321098, 109 | 32732, 119, 125 | 35064, 373 | HG-, 192 |
| 32110, 107 | 32733, 119, 125 | 35066, 373 | HGCP-, 193 |
| 321100, 109 | 32734, 119, 125 | 35068, 373 | HL-, 407 |
| 321101, 109 | 32736, 119, 125 | 35070, 373 | HP-, 407 |
| 321102, 109 | 32737, 119, 125 | 35072, 373 | HPR-220, 411 |
| 321103, 109 | 32738, 119, 125 | 35074, 373 | HR-, 407 |
| 321105, 109 | 32739, 119, 125 | 35076, 373 | HS-, 184 |
| 321106, 109 | 32741, 119, 125 | 35078, 373 | HT-, 406 |
| 321107, 109 | 32742, 119, 125 | 35082, 374 | HW684WSHS, 284 |
| 321108, 109 | 32743, 119, 125 | 35084, 374 | HXA-, 410 |
| 32111, 107 | 32744, 119, 125 | 35086, 374 | ICD7-, 393 |
| 32112, 107 | 32746, 119, 125 | 35088, 374 | ICG7-, 393 |
| 321120, 107 | 32747, 119, 125 | 35094, 374 | KMD..., 147-153 |
| 321121, 107 | 32748, 119, 125 | 35098, 374 | NB..., 408 |
| 32114, 115 | 32749, 119, 125 | 35100, 374 | NBB-, 411 |
| 32115, 115 | 32751, 119, 125 | 35102, 374 | NRB-, 412 |
| 32116, 115 | 32752, 119, 125 | 35335N, 373 | NT..., 408 |
| 32117, 115 | 32753, 119, 125 | 35337N, 373 | R15..., 164-165, 386-387 |
| 32119, 115 | 32754, 119, 125 | 35339N, 373 | R3..., 164-165, 386-387 |
| 32120, 115 | 32756, 119, 125 | 35344N, 373 | RF..., 164-166, 386-388 |
| 32121, 115 | 32757, 119, 125 | 35350N, 373 | RH-, 376-379 |
| 321218, 106 | 32758, 119, 125 | 35351N, 373 | RP..., 166, 388 |
| 321219, 106 | 32759, 119, 125 | 35352N, 373 | SA-, 192 |
| 32122, 115 | 32763, 164, 386 | 35354N, 372 | SAA-, 264 |
| 321221, 106 | 32763RNF, 165, 387 | 35360N, 372 | SAB-, 264 |
| 321283, 106 | 32836, 164, 386 | 35361N, 372 | SAC-, 264 |
| 321284, 106 | 32836RN, 165, 387 | 35362N, 372 | SB-, 409 |
| 321285, 106 | 32838, 164, 386 | 35507N, 372 | SBR-, 411 |
| 321286, 106 | 32838RNF, 165, 387 | 35511N, 372 | SC-, 192 |
| 321289, 106 | 32866, 104 | 35703N, 372 | SCX-, 263 |
| 321290, 106 | 32867, 104 | 35725N, 372 | SCY-, 263 |
| 321966, | 32868, 104 | 35727N, 372 | SE-, 192 |
| 164, 386 | 32869, 104 | 35729N, 372 | SG-, 192 |
| 321966RN, | 32870, 104 | 35731N, 372 | SPB-, 455 |
| 165, 387 | 32871, 104 | 35732N, 372 | ST..., 409 |
| 321970RNF, | 32872, 104 | 35736N, 372 | STF-1006, 193 |
| 165, 387 | 32873, 104 | 35738N, 372 | STM..., 155 |
| 321970F, | 32874, 104 | 35826N, 372 | VF-CR..., 171-174, 410 |
| 164, 386 | 32875, 104 | 37692, 348 | VG-011-, 225-227, 236 |
| 321991, | 32876, 104 | 37710, 349 | VG-012-, 224 |
| 166, 388 | 32877, 104 | 37712, 349 | VG-013-, 232 |
| 321993, | 32892, 164, 386 | 37713, 349 | VG-013-02, 219 |
| 166, 388 | 32892RN, 165, 387 | 37737, 349 | VG-014H-, 234 |
| 321993RN, | 33151, 331 | 37738, 349 | VG-015..., 235 |
| 166, 388 | 33167, 230 | 37740, 349 | VG-016-, 235 |
| 32400, 113 | 33168..., 230 | 38309, 348 | VG-017, 235 |
| 32401, 113 | 33231, 309 | 38310, 348 | VG-018..., 234 |
| 32402, 113 | 33262, 329 | 38322, 348 | VG-019-12, 237 |
| 32403, 113 | 33298, 303 | 38324, 348 | VG-020..., 229 |
| 32404, 113 | 33313, 329 | 38333, 348 | VG-021-, 236 |
| 32405, 113 | 33500, 335 | 38334, 348 | VG-022-01, 228 |
| 32406, 113 | 33509, 330 | 38336, 348 | VG-031-, 227 |
| 32473, 106 | 33512, 330 | 39044, 222 | VG-032-12-, 237 |
| 32474, 106 | 33616, 334 | 40009, 382 | VG-040-01, 284 |
| 32475, 106 | 33928, 230 | 40018, 382 | VG-113..., 232 |
| 32477, 106 | 33955, 279 | 40031, 382 | VG-117-, 233, 284 |
| 32478, 106 | 34014, 342 | 815-, 102-105 | VG-118..., 233 |
| 32479, 106 | 34018, 343 | 820-, 108-109 | VG-1234-SERP-, 187 |
| 32480, 106 | 34040, 343 | 821-, 110 | VG-1568-, 284 |
| 32481, 106 | 34200, 343 | 880-, 112-113 | VG-190-, 238 |
| 32482, 106 | 34201, 343 | 881-, 106-107 | VG-191-, 238 |

Part Number Index

| | | | |
|------------------------------|-----------------------------|----------------------------------|-------------------------------------|
| VG-200-, 325 | VG-615..., 337, 339 | VG-GSNG-, 204 | VG-P834F-, 258 |
| VG-201-, 324 | VG-616-, 338 | VG-GSR-, 200 | VG-PBG5-NSD-, 247 |
| VG-202..., 294, 301 | VG-617-, 336, 338 | VG-GSRBG-, 194 | VG-PBG7-NSD-, 247 |
| VG-203..., 292-293, 301 | VG-618-, 336, 338 | VG-GST-, 176, 178, 202, 204, 213 | VG-PBWS-125-10, 188 |
| VG-204..., 228, 324-325 | VG-619-, 330, 338 | VG-GSTG-, 178, 204 | VG-PCR-25100-, 187 |
| VG-205-, 321-322 | VG-620-, 330 | VG-GSVBG-, 194 | VG-PM10BC-, 245 |
| VG-205-G-14-S, 283 | VG-621..., 328 | VG-GSWF-, 200 | VG-PM6BC-, 244 |
| VG-210..., 294, 301 | VG-623-, 331 | VG-J..., 248-251 | VG-PMBG-50-, 188 |
| VG-211..., 317-319 | VG-627..., 332 | VG-LDA-100..., 217 | VG-PMI-, 215 |
| VG-212..., 227, 296-297, 303 | VG-628-, 333 | VG-LDNP-, 216 | VG-PSBG-50-10, 188 |
| VG-213..., 310-312, 315-316 | VG-629..., 333 | VG-LDP-100-, 217 | VG-Q-, 320 |
| VG-215-, 336 | VG-630-BK, 380 | VG-LDSP-, 216 | VG-QPC-, 300 |
| VG-221..., 291, 301 | VG-631-14..., 380 | VG-MBG-50-, 188 | VG-QSB..., 300 |
| VG-223..., 312-316 | VG-632-516, 380 | VG-NG..., 246 | VG-QSC..., 300 |
| VG-232, 296-297 | VG-633..., 381 | VG-P0808-, 258 | VG-QT-01, 300 |
| VG-238-, 365 | VG-634-, 381 | VG-P1010RBC-, 254 | VG-RCBT-, 51, 53 |
| VG-245-, 304-305 | VG-635-, 381 | VG-P1012-, 195 | VG-RS-, 220-221 |
| VG-252-4-38, 227 | VG-641..., 323 | VG-P104D-, 242 | VG-RU-, 196 |
| VG-253..., 308-309 | VG-650..., 187 | VG-P105..., 242, 246 | VG-S12HR-, 253 |
| VG-254..., 308-309 | VG-681-, 283 | VG-P116..., 242 | VG-S12ROD-, 237 |
| VG-280..., 307 | VG-682-, 282 | VG-P125125BC-, 254 | VG-S34HR-, 253 |
| VG-281-M10F, 307 | VG-684..., 275, 280 | VG-P12BC-, 245 | VG-S5015-, 261 |
| VG-282..., 307 | VG-685-, 281 | VG-P12HR-, 253 | VG-S58HR-, 253 |
| VG-290, 306 | VG-686..., 274, 285 | VG-P12RD-, 252 | VG-SBG-50-10, 188 |
| VG-291, 306 | VG-687..., 269-271, 284-285 | VG-P12RDBAR-, 262 | VG-SC..., 340 |
| VG-292, 306 | VG-688..., 272-273 | VG-P1345-, 243 | VG-SCAP-, 295 |
| VG-305..., 370 | VG-690, 220 | VG-P14..., 244 | VG-SE-582-, 165, 387 |
| VG-307..., 369 | VG-691..., 220-221 | VG-P1515BC-, 254 | VG-SPM-, 214 |
| VG-308-, 369 | VG-692, 220-221 | VG-P1520..., 254 | VG-SSCG-, 191, 206 |
| VG-311-, 371 | VG-693..., 220 | VG-P18..., 242 | VG-SSCT-, 194 |
| VG-340-, 189-190 | VG-694..., 220 | VG-P1878BC-, 255, 259 | VG-SSECG-, 191, 207 |
| VG-360-, 190 | VG-695, 220 | VG-P18CC-, 248 | VG-SSF-, 191, 200-201, 206, 212-213 |
| VG-370..., 189 | VG-696, 221 | VG-P1910BC-, 255 | VG-SSFS-, 208-209 |
| VG-380-, 190 | VG-697..., 220 | VG-P1x1BC-, 254 | VG-SSLD-, 216 |
| VG-450, 375 | VG-698..., 221 | VG-P2007-, 257 | VG-SSLT-, 176-177, 204-205 |
| VG-452, 375 | VG-699-, 221 | VG-P204-, 242 | VG-SSLTS-, 176-177, 210-211 |
| VG-501..., 353, 363, 365 | VG-710-U..., 186 | VG-P2115BC-, 256 | VG-SSM-, 200-201 |
| VG-504, 363 | VG-730-, 219 | VG-P251..., 255-256 | VG-SSMS-, 208-209 |
| VG-505..., 354, 364 | VG-750-, 185 | VG-P2520..., 256, 259 | VG-SSMT-, 200-201 |
| VG-506, 363 | VG-761-10, 219 | VG-P2x2BC-10, 254 | VG-SSNG-, 204-205 |
| VG-511..., 355-358, 365 | VG-770-, 326 | VG-P316..., 243 | VG-SSR-, 200-201, 212 |
| VG-512, 363 | VG-771-, 326 | VG-P34HR-, 253 | VG-SSRBG-, 194 |
| VG-513..., 359, 365 | VG-A1000-, 195, 257 | VG-P34HRL-, 253 | VG-SSRS-, 208-209 |
| VG-514..., 363 | VG-A1315-, 195 | VG-P34RD-, 252 | VG-SST-, 176-179, 202-205, 213 |
| VG-516, 363 | VG-A1878..., 259 | VG-P350-, 260 | VG-SSTG-, 178-179, 204-205 |
| VG-517-01-, 361 | VG-A225-, 258 | VG-P37..., 190 | VG-SSTS-, 176-177, 210-211 |
| VG-518..., 360 | VG-A2520-, 259 | VG-P38BC-, 245 | VG-SSUT-, 188 |
| VG-520-, 361-362 | VG-A275-, 258 | VG-P38HD-, 245 | VG-SSVBG-, 194 |
| VG-525-02-, 364 | VG-A350-, 260 | VG-P38RD-, 252 | VG-SSWF-, 200-201 |
| VG-533-01-, 352 | VG-A500-, 195, 257 | VG-P38RDBAR-, 262 | VG-SSWFS-, 208-209 |
| VG-534, 363 | VG-A5015-, 260 | VG-P3920BC-, 256 | VG-T-, 196 |
| VG-537-01-, 352 | VG-A5020-, 260 | VG-P417CT-10, 252 | VG-VSR, 306 |
| VG-538, 363 | VG-A600-, 258 | VG-P5010BC-, 254 | VRE-640-1540-, 412 |
| VG-550-, 342 | VG-A900-, 258 | VG-P5015..., 256, 260-261 | VT-, 131-134 |
| VG-551-, 342 | VG-ABG..., 247 | VG-P5020BC-, 256, 260 | VT2-, 136 |
| VG-552-, 343 | VG-ARB-, 385 | VG-P512..., 257 | VT2K-, 144 |
| VG-553-, 343 | VG-ASRB-, 385 | VG-P516BC-, 245 | VT3-, 137 |
| VG-554-, 342 | VG-BWS-125-10, 188 | VG-P516RD-, 252 | VT3K-, 145 |
| VG-555-, 343 | VG-C115, 370 | VG-P58115BC-, 254 | VTK-, 140-142 |
| VG-556-, 343 | VG-CS..., 193 | VG-P58HR-, 253 | |
| VG-558-, 342 | VG-CSI-538-, 242 | VG-P58RD-, 252 | |
| VG-560-, 343 | VG-CTOP-, 295 | VG-P611-, 258 | |
| VG-561-, 343 | VG-G5015-, 261 | VG-P710-, 195 | |
| VG-580-, 368 | VG-GSCG-, 191, 206 | VG-P7701-10, 252 | |
| VG-592..., 367-368 | VG-GSCT-, 194 | VG-P7GA..., 243 | |
| VG-594..., 367 | VG-GSECG-, 191, 207 | VG-P813..., 258 | |
| VG-596..., 367-368 | VG-GSF, 191, 200, 206, 213 | VG-P816F-, 258 | |
| VG-598..., 367-368 | VG-GSLT-, 176, 204 | VG-P820F-, 258 | |
| VG-612-, 228, 331 | VG-GSM-, 200 | VG-P822F-, 258 | |
| VG-614-, 336, 338 | VG-GSMT-, 200 | VG-P824F-, 258 | |

All sales are made on our STANDARD TERMS AND CONDITIONS OF SALE in effect at the time a customer's order is accepted. The current Terms and Conditions are set forth below:

STANDARD TERMS AND CONDITIONS OF SALE (February 2015)

These Terms and Conditions, the attendant quotation or acknowledgment and all documents incorporated by specific reference therein, will be the complete and exclusive statement of the terms of the agreement governing the sale of goods ("Goods") by Regal Beloit America Inc. and its divisions and subsidiaries ("Seller") to Customer ("Buyer"). Buyer's acceptance of the Goods will manifest Buyer's assent to these Terms and Conditions. If these Terms and Conditions differ in any way from the terms and conditions of Buyer's order, or other documentation, this document will be construed as a counteroffer and will not be deemed an acceptance of Buyer's terms and conditions which conflict herewith.

1. **PRICES:** Unless otherwise specified in writing by Seller, Seller's price for the goods shall remain in effect for thirty (30) days after the date of Seller's quotation or acknowledgment of Buyer's order for the Goods, whichever occurs first, provided an unconditional, complete authorization for the immediate shipment of the Goods is received and accepted by Seller within such time period. If such authorization is not received by Seller within such thirty (30) day period, Seller shall have the right to change the price for the Good to Seller's price for the Goods at the time of shipment.

2. **TAXES:** Any tax or governmental charge or increase in same hereafter becoming effective increasing the cost to Seller of producing, selling or delivering the Goods/provision of Services or of procuring material used therein, and any tax now in effect or increase in same payable by the Seller because of the manufacture, sale or delivery of the Goods/provision of Services, may at Seller's option, be added to the price.

3. **TERMS OF PAYMENT:** Subject to the approval of Seller's Credit Department, terms are net thirty (30) days from date of Seller's invoice in U.S. currency. If any payment owed to Seller is not paid when due, it shall bear interest, at a rate to be determined by Seller, which shall not exceed the maximum rate permitted by law, from the date on which it is due until it is paid. Seller shall have the right, among other remedies, either to terminate the Agreement or to suspend further performance under this and/or other agreements with Buyer in the event Buyer fails to make any payment when due. Buyer shall be liable for all expenses, including attorneys' fees, relating to the collection of past due amounts.

4. **SHIPMENT AND DELIVERY:** Shipments are made F.O.B. Seller's shipping point. Any claims for shortages or damages suffered in transit shall be submitted by the Buyer directly to the carrier. While Seller will use all reasonable commercial efforts to maintain the delivery date for the Goods or the date of provision of Services acknowledged or quoted by Seller, all such dates are approximate. Seller reserves the right to make partial shipments and to segregate "specials" and made-to-order Goods from normal stock Goods. Seller shall not be bound to tender delivery of any Goods for which Buyer has not provided shipping instructions.

5. **QUANTITY:** Buyer agrees to accept overruns of up to ten percent (10%) of the order on "made-to-order" Goods, including parts. Any such additional items shall be priced at the price per item charged for the specific quantity ordered.

6. **LIMITED WARRANTY:** Subject to the limitations of Section 7, Seller warrants that the Goods will be free from defects in material and workmanship under normal use, service and maintenance and Services will be performed by trained personnel using proper equipment and instrumentation for the particular Service provided. Any licensed firmware embodied in the Goods will execute the programming instructions provided by Seller. The foregoing warranties will apply until the expiration of the applicable warranty period. Except as specified below, Goods are warranted for twelve (12) months (unless otherwise specified by Seller in writing) from the date of shipment of the Goods by Seller. Consumables and Services (except as specified below) are warranted for a period of 90 days from the date of shipment or completion of the Services. Products purchased by Seller from a third party for resale to Buyer ("Resale Products") shall carry only the warranty extended by the original manufacturer. Buyer agrees that Seller has no liability for Resale Products beyond making a reasonable commercial effort to arrange for procurement and shipping of the Resale Products. **THIS IS THE SOLE AND EXCLUSIVE WARRANTY GIVEN BY SELLER WITH RESPECT TO THE GOODS/SERVICES AND IS IN LIEU OF AND EXCLUDES ALL OTHER WARRANTIES, EXPRESS OR IMPLIED, ARISING BY OPERATION OF LAW OR OTHERWISE, INCLUDING WITHOUT LIMITATION, MERCHANTABILITY OR FITNESS FOR A PARTICULAR PURPOSE WHETHER OR NOT THE PURPOSE OR USE HAS BEEN DISCLOSED TO SELLER IN SPECIFICATIONS, DRAWINGS OR OTHERWISE, AND WHETHER OR NOT SELLER'S PRODUCTS ARE SPECIFICALLY DESIGNED AND/OR MANUFACTURED BY SELLER FOR BUYER'S USE OR PURPOSE.**

This warranty does not extend to any losses or damages due to misuse, accident, abuse, neglect, normal wear and tear, unauthorized modification or alteration, use beyond rated capacity, or improper installation, maintenance or application. To the extent that Buyer or its agents has supplied specifications, information, representation of operating conditions or other data to Seller in the selection or design of the Goods or provision of Services and the preparation of Seller's quotation, and in the event that actual operating conditions or other conditions differ from those represented by Buyer, any warranties or other provisions contained herein which are affected by such conditions shall be null and void. If within thirty (30) days after Buyer's discovery of any warranty defects within the warranty period, Buyer notifies Seller thereof in writing, Seller shall, at its option, repair, correct, or replace F.O.B. point of manufacture, or refund the purchase price for, that portion of the goods found by Seller to be defective. Failure by Buyer to give such written notice within the applicable time period shall be deemed an absolute and unconditional waiver of Buyer's claim for such defects. Goods repaired or replaced during the warranty period shall be covered by the foregoing warranty for the remainder of the original warranty period or ninety (90) days, whichever is longer. Buyer assumes all other responsibility for any loss, damage, or injury to persons or property arising out of, connected with, or resulting from the use of Goods, either alone or in combination with other products/components.

SECTIONS 6 AND 7 APPLY TO ANY ENTITY OR PERSON WHO MAY BUY, ACQUIRE OR USE SELLER'S GOODS, INCLUDING ANY ENTITY OR PERSON WHO BUYS THE GOODS FROM SELLER'S DISTRIBUTOR AND SUCH ENTITY OR PERSON SHALL BE BOUND BY THE LIMITATIONS THEREIN.

7. **LIMITATION OF REMEDY AND LIABILITY: THE SOLE AND EXCLUSIVE REMEDY FOR BREACH OF ANY WARRANTY HEREUNDER (OTHER THAN THE WARRANTY PROVIDED UNDER SECTION 13) SHALL BE LIMITED TO REPAIR, CORRECTION, REPLACEMENT, OR REFUND OF THE PURCHASE PRICE UNDER SECTION 6. SELLER SHALL NOT BE LIABLE FOR DAMAGES CAUSED BY DELAY IN PERFORMANCE AND IN NO EVENT, REGARDLESS OF THE FORM OF THE CLAIM OR CAUSE OF ACTION (WHETHER BASED IN CONTRACT, INFRINGEMENT, NEGLIGENCE, STRICT LIABILITY, OTHER TORT OR OTHERWISE), SHALL SELLER'S LIABILITY TO BUYER AND/OR ITS CUSTOMERS EXCEED THE PRICE TO BUYER OF THE SPECIFIC GOODS OR SERVICES PROVIDED BY SELLER GIVING RISE TO THE CLAIM OR CAUSE OF ACTION. BUYER AGREES THAT IN NO EVENT SHALL SELLER'S LIABILITY TO BUYER AND/OR ITS CUSTOMERS EXTEND TO INCLUDE INCIDENTAL, CONSEQUENTIAL OR PUNITIVE DAMAGES. THE TERM "CONSEQUENTIAL DAMAGES" SHALL INCLUDE, BUT NOT BE LIMITED TO, LOSS OF ANTICIPATED PROFITS, LOSS OF USE, LOSS OF REVENUE, COST OF CAPITAL AND DAMAGE OR LOSS OF OTHER PROPERTY OR EQUIPMENT AND COSTS INCURRED INCLUDING WITHOUT LIMITATION FOR CAPITAL, FUEL AND POWER, AND CLAIMS OF BUYER'S CUSTOMERS. GOODS AND/OR SERVICES SOLD HEREUNDER ARE NOT FOR USE IN ANY NUCLEAR AND RELATED APPLICATIONS.** Buyer accepts goods and/or services with the foregoing understanding, agrees to communicate the same in writing to any subsequent purchaser or users and to defend, indemnify and hold harmless Seller from any claims, losses, suits, judgments and damages, including incidental and consequential damages, arising from such use, whether the cause of action be based in tort, contract or otherwise, including allegations that the Seller's liability is based on negligence or strict liability.

8. **BUYER RESPONSIBILITIES:** Buyer shall provide Seller ready access to the site where services are to be performed and adequate workspace and facilities to perform same as provided in these terms and conditions. Buyer shall not require Seller or its employees, as a condition to site access or otherwise, to further agree or enter into any agreement, which waives, releases, indemnifies or otherwise limits or expands any rights or obligations whatsoever. Any such agreements shall be null and void. Buyer shall inform Seller, in writing, at the time of order placement, of any known hazardous substance or condition at the site, including, but not limited to, the presence of asbestos or asbestos containing materials, and shall provide Seller with any applicable Material Data Safety Sheets regarding same. Buyer shall appoint a representative familiar with the site and the nature of the services to be performed by Seller to be present at all times that Seller personnel are at the site. Seller shall not be liable for any expenses incurred

by Buyer in removing, replacing or refurbishing any Buyer equipment or any part of Buyer's building structure that restricts Seller access. Buyer personnel shall cooperate with and provide all necessary assistance to Seller. Seller shall not be liable or responsible for any work performed by Buyer.

9. **BUYER SUPPLIED DATA:** To the extent that Seller has relied upon any data or information supplied by Buyer to Seller ("Data") in the selection or design of the Goods and/or provision of the Services and the preparation of Seller's quotation, and the Data is inadequate or inaccurate, any warranties or other provisions contained herein which are affected by such conditions shall be null and void.

10. **TECHNICAL ADVICE:** It is expressly understood that the Seller assumes no obligation or liability for any technical advice given without charge and furnished by the Seller with respect to the use of the Goods. All such technical advice, or results obtained, is given and accepted at Buyer's risk.

11. **EXCUSE OF PERFORMANCE:** Seller shall not be liable for delays in performance or for non-performance due to acts of God, acts of Buyer, war, riot, fire, flood, other severe weather, sabotage, or epidemics; strikes or labor disturbances; governmental requests, restrictions, laws, regulations, orders or actions; unavailability of or delays in transportation; default of suppliers; or unforeseen circumstances or any events or causes beyond Seller's reasonable control. Deliveries of Goods or provision of Services may be suspended for an appropriate period of time as a result of the foregoing. If Seller determines that its ability to supply the total demand for the Goods, or to obtain material used directly or indirectly in the manufacture of the Goods, is hindered, limited or made impracticable due to causes addressed in this Section 8, Seller may allocate its available supply of the Goods or such material (without obligation to acquire other supplies of any such Goods or material) among itself and its purchasers on such basis as Seller determines to be equitable without liability for any failure of performance which may result therefrom. Deliveries suspended or not made by reason of this section may be canceled by Seller upon notice to Buyer without liability, but the balance of the agreement shall otherwise remain unaffected.

12. **CANCELLATIONS AND DELAYS:** The Buyer may cancel orders only upon written notice and upon payment to Seller of cancellation charges which include, among other things, all costs and expenses incurred and commitments made by the Seller and a reasonable profit thereon. Any request by Buyer to extend the delivery schedule must be agreed to in writing by the Seller. If agreement cannot be reached, Seller may deliver product or provide services to the last known ship to address and invoice the Buyer upon completion of the product or services or prior delivery date, whichever is later.

13. **CHANGES:** Buyer may request changes or additions to the Goods/Services consistent with Seller's specifications and criteria. In the event such changes or additions are accepted by Seller, Seller may revise the price and delivery schedule. Seller reserves the right to change designs and specifications for the Goods or Services without prior notice to Buyer, except with respect to Goods being made-to-order for Buyer. Seller may cancel any order or terminate any agreement without liability to Buyer if Buyer fails to meet the conditions specified herein.

14. **TOOLING:** Tool, die, and pattern charges, if any, are in addition to the price of the Goods/Services and are due and payable upon completion of the tooling. All such tools, dies and patterns shall be and remain the property of Seller. Charges for tools, dies, and patterns do not convey to Buyer, title, ownership interests in, or rights to possession or removal, nor prevent their use by Seller for other purchasers, except as otherwise expressly provided by Seller and Buyer in writing with reference to this provision.

15. **SOFTWARE AND FIRMWARE:** Notwithstanding any other provision herein to the contrary, Seller or applicable third party owner shall retain all rights of ownership and title in its respective firmware and software, including all copyrights relating to such firmware and software and all copies of such firmware and software. Except as otherwise provided herein, Buyer is hereby granted a nonexclusive, royalty free license to use firmware and software, and copies of firmware and software, incorporated into the Goods only in conjunction with such Goods and only at the Buyer's plant site where the Goods are first used. Buyer's use of certain firmware (as specified by Seller) and all other software shall be governed exclusively by Seller's and/or third party owner's applicable license terms.

16. **ASSIGNMENT:** Buyer shall not assign its rights or delegate its duties hereunder or any interest therein or any rights hereunder without the prior written consent of the Seller, and any such assignment, without such consent, shall be void.

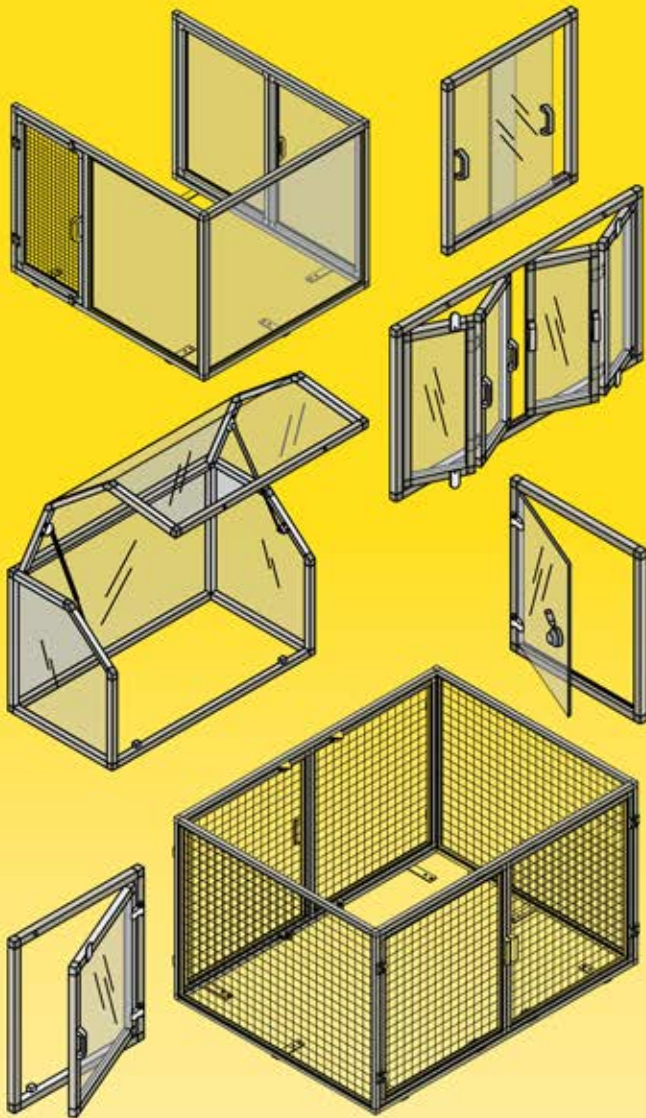
17. **PATENTS AND COPYRIGHTS:** Subject to Section 7, Seller warrants that the Goods and/or Services sold, except as are made specifically for Buyer according to Buyer's specifications, do not infringe any valid U.S. patent or copyright in existence as of the date of delivery. This warranty is given upon the condition that Buyer promptly notify Seller of any claim or suit involving Buyer in which such infringement is alleged, and, that Buyer cooperate fully with Seller and permit Seller to control completely the defense or compromise of any such allegation of infringement. Seller's warranty as to use only applies to infringements arising solely out of the inherent operation (i) of such Goods, or (ii) of any combination of Goods in a system designed by Seller. In the event such Goods and/or Services, singularly or in combination, are held to infringe a U.S. patent or copyright in such suit, and the use of such Goods and/or Services is enjoined, or in the case of a compromise by Seller, Seller shall have the right, at its option and expense, to procure for Buyer the right to continue using such Goods or providing such Services, or replace them with non-infringing Goods or Services; or modify same to become non-infringing; or grant Buyer a credit for the depreciated value of such Goods and accept return of them or grant Buyer a credit for such provided Services.

18. **EXPORT/IMPORT:** Buyer agrees that all applicable import and export control laws, regulations, orders, and requirements, including without limitation those of the United States and the European Union, and the jurisdictions in which the Seller and the Buyer are established or from which Goods may be supplied, will apply to their receipt and use. In no event shall Buyer use, transfer, release, import, or export Goods in violation of such applicable laws, regulations, orders or requirements.

19. **HIRING/EMPLOYEES:** Buyer agrees that during the execution of Services by Seller and for a period of twelve (12) months after the performance of Services, it will not hire any employee(s) of Seller and will not entice or counsel any such employee(s) to leave Seller's employ. Buyer agrees that this covenant shall extend to its agents and affiliates. In the event that an employee of Seller is hired or leaves the employ of Seller in such circumstances, Buyer shall pay Seller, as compensation for the cost incurred by Seller in recruiting and training the employee, the sum equivalent to six (6) months pay for each employee hired from or leaving the employment of Seller.

20. **EMPLOYEE SAFETY AND SUSPENSION OF SERVICES:** Seller may suspend or terminate Services, at its sole discretion, without liability to Buyer if Buyer fails to meet its obligations hereunder or becomes bankrupt or insolvent or if Seller determines that continuing to provide Services represents a hazardous condition for its employees.

21. **MISCELLANEOUS:** These terms and conditions set forth the entire understanding and agreement between Seller and Buyer, and supersede all other communications, negotiations and prior oral or written statements regarding the subject matter of these terms and conditions. No change, modification, rescission, discharge, abandonment, or waiver of these terms and conditions of Sale shall be binding upon the Seller unless made in writing and signed on its behalf by an officer of the Seller. No conditions, usage or trade, course of dealing or performance, understanding or agreement purporting to modify, vary, explain, or supplement these Terms and Conditions shall be binding unless hereafter made in writing and signed by the party to be bound, and no modification shall be affected by the acceptance of purchase orders or shipping instruction forms containing terms at variance with or in addition to those set forth herein. Any such modifications or additional terms are specifically rejected by Seller. No waiver by Seller with respect to any breach or default or any right or remedy and no course of dealing, shall be deemed to constitute a continuing waiver of any other breach or default or of any other right or remedy, unless such waiver be expressed in writing and signed by the party to be bound. Seller is not responsible for typographical or clerical errors made in any quotation, orders or publications. All such errors are subject to correction. The validity, performance, and all other matters relating to the interpretation and effect of this contract shall be governed by the law of the state of New York. The United Nations Convention on the International Sale of Goods shall not apply to any transaction hereunder.



Guarding Products from ValuGuard™ Improve the Safety and Appearance of Your Machinery!

Protective enclosures keep material contained within the machine area, and prevent people or items from accidentally entering the operating machine's space. When properly constructed, the guards enhance the appearance of OEM equipment.

The product line is based on the concept that with a pre-engineered system of components, custom structures can be made faster, more attractive and more economically than by welding or other traditional fabrication methods.

These framing systems from System Plast™ can extend their versatility to almost any industry. Build shelves, counters, displays, cubicles, or even entire freestanding rooms. With a full line of accessories, the possibilities are only limited by your imagination.

For more information, please contact one of our helpful Customer Service Representatives.

**Accelerating Production
Through Innovation**

866-765-8744
www.RegalPTS.com

VALU TM
GUARD

SYSTEM PLAST™

Regal Power Transmission Solutions
7120 New Buffington Rd
Florence, KY 41042
Customer Service: 866-765-8744
Fax: 866-447-6587
Technical Service: 800-626-2093

www.RegalPTS.com
www.SystemPlastSmartGuide.com

APPLICATION CONSIDERATIONS

The proper selection and application of power transmission products and components, including the related area of product safety, is the responsibility of the customer. Operating and performance requirements and potential associated issues will vary appreciably depending upon the use and application of such products and components. The scope of the technical and application information included in this publication is necessarily limited. Unusual operating environments and conditions, lubrication requirements, loading supports, and other factors can materially affect the application and operating results of the products and components and the customer should carefully review its requirements. Any technical advice or review furnished by Regal-Beloit America, Inc. and its affiliates with respect to the use of products and components is given in good faith and without charge, and Regal assumes no obligation or liability for the advice given, or results obtained, all such advice and review being given and accepted at customer's risk.

For a copy of our Standard Terms and Conditions of Sale, Disclaimers of Warranty, Limitation of Liability and Remedy, please contact Customer Service at 1-800-626-2120. These terms and conditions of sale, disclaimers and limitations of liability apply to any person who may buy, acquire or use a Regal-Beloit America Inc. product referred to herein, including any person who buys from a licensed distributor of these branded products. Regal, New Generation, NG, Nolu, System Plast and Valu Guide are trademarks of Regal-Beloit Corporation or one of its affiliated companies.

©2015 Regal-Beloit Corporation. All Rights Reserved. MCC15001E • Form# 9228E • Printed in USA

A Regal Brand



REGAL

www.regalbeloit.com